

# TPS25946xx 2.7-V–23-V, 5.5-A, 28-mΩ eFuse with Bidirectional Current Support

## 1 Features

- Wide operating input voltage range: 2.7 V to 23 V
  - 28-V absolute maximum
- Integrated back-to-back FETs with low on-resistance:  $R_{ON} = 28.3 \text{ m}\Omega$  (typ.)
  - Bi-directional current flow during ON state
  - Reverse current blocking during OFF state
- Fast overvoltage protection
  - Adjustable Overvoltage Lockout (OVLO) with 1.2- $\mu\text{s}$  (typ.) response time
- Overcurrent protection in forward direction with load current monitor output (ILM)
  - Active current limit response
  - Adjustable threshold ( $I_{LIM}$ ): 0.5 A to 6 A
    - $\pm 10\%$  accuracy for  $I_{LIM} > 1 \text{ A}$
  - Adjustable transient blanking timer (ITIMER) to allow peak currents up to  $2 \times I_{LIM}$
  - Output load current monitor accuracy:  $\pm 6\%$  ( $I_{OUT} \geq 1 \text{ A}$ )
- Fast-trip response for short-circuit protection on OUT pin
  - 500-ns (typ.) response time
  - Adjustable ( $2 \times I_{LIM}$ ) and fixed thresholds
- Active high enable input with adjustable Undervoltage Lockout threshold (UVLO)
- Adjustable output slew rate control (dVdt)
- Overtemperature protection
- Digital indication options:
  - Power Good indication (PG) with adjustable threshold (PGTH) or
  - Supply Good (SPLYGD) and Fault ( $\overline{\text{FLT}}$ ) indications
- UL 2367 recognition
  - File No. E339631
  - $R_{ILM} \geq 549 \Omega$
- IEC 62368-1 CB certified
- Small footprint: QFN 2 mm  $\times$  2 mm, 0.45-mm pitch

## 2 Applications

- USB On-The-Go (OTG)
- Smartphones
- Tablets
- Digital cameras
- Point of sales terminals
- Wireless chargers

## 3 Description

The TPS25946xx family of eFuses is a highly integrated circuit protection and power management solution in a small package. The devices provide multiple protection modes using very few external components and are a robust defense against overloads, short-circuits, voltage surges and excessive inrush current. With integrated back-to-back FETs, the device allows bi-directional current flow during ON state, while blocking current flow in both directions during OFF state, making it well suited for USB OTG (On-The-Go) applications.

Output slew rate and inrush current can be adjusted using a single external capacitor. Loads are protected from input overvoltage conditions by cutting off the output if input exceeds an adjustable overvoltage threshold. The devices respond to output overload by actively limiting the current. The output current limit threshold as well as the transient overcurrent blanking timer are user adjustable. The current limit control pin also functions as an analog load current monitor.

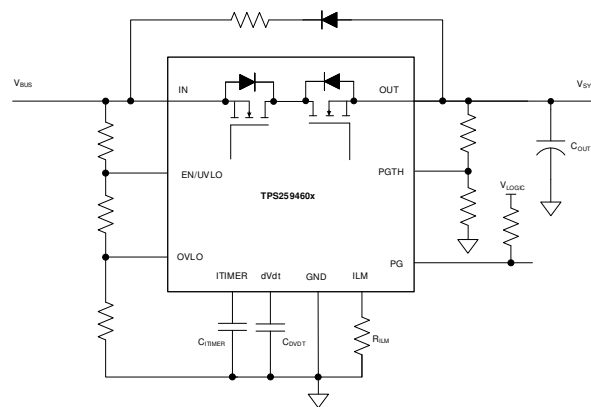
The devices are available in a 2-mm  $\times$  2-mm, 10-pin HotRod QFN package for improved thermal performance and reduced system footprint.

The devices are characterized for operation over a junction temperature range of  $-40^\circ\text{C}$  to  $+125^\circ\text{C}$ .

### Device Information

| PART NUMBER   | PACKAGE <sup>(1)</sup> | BODY SIZE (NOM)    |
|---------------|------------------------|--------------------|
| TPS25946xxRPW | QFN (10)               | 2 mm $\times$ 2 mm |

(1) For all available packages, see the orderable addendum at the end of the data sheet.



**Simplified Schematic**



## Table of Contents

|  |    |  |    |
|--|----|--|----|
| <b>1 Features</b> .....                        | 1  | 8.4 Device Functional Modes.....                                 | 28 |
| <b>2 Applications</b> .....                    | 1  | <b>9 Application and Implementation</b> .....                    | 29 |
| <b>3 Description</b> .....                     | 1  | 9.1 Application Information.....                                 | 29 |
| <b>4 Revision History</b> .....                | 2  | 9.2 Typical Application.....                                     | 29 |
| <b>5 Device Comparison Table</b> .....         | 3  | <b>10 Power Supply Recommendations</b> .....                     | 35 |
| <b>6 Pin Configuration and Functions</b> ..... | 4  | 10.1 Transient Protection.....                                   | 35 |
| <b>7 Specifications</b> .....                  | 5  | 10.2 Output Short-Circuit Measurements.....                      | 36 |
| 7.1 Absolute Maximum Ratings.....              | 5  | <b>11 Layout</b> .....   | 37 |
| 7.2 ESD Ratings.....                           | 5  | 11.1 Layout Guidelines.....                                      | 37 |
| 7.3 Recommended Operating Conditions.....      | 6  | 11.2 Layout Example.....   | 38 |
| 7.4 Thermal Information.....                   | 6  | <b>12 Device and Documentation Support</b> .....                 | 39 |
| 7.5 Electrical Characteristics.....            | 7  | 12.1 Documentation Support.....                                  | 39 |
| 7.6 Timing Requirements.....                   | 8  | 12.2 Receiving Notification of Documentation Updates.....        | 39 |
| 7.7 Switching Characteristics.....             | 9  | 12.3 Support Resources.....                                      | 39 |
| 7.8 Typical Characteristics.....               | 10 | 12.4 Trademarks.....   | 39 |
| <b>8 Detailed Description</b> .....            | 16 | 12.5 Electrostatic Discharge Caution.....                        | 39 |
| 8.1 Overview.....                              | 16 | 12.6 Glossary.....   | 39 |
| 8.2 Functional Block Diagram.....              | 17 | <b>13 Mechanical, Packaging, and Orderable Information</b> ..... | 40 |
| 8.3 Feature Description.....                   | 19 |  |    |

## 4 Revision History

NOTE: Page numbers for previous revisions may differ from page numbers in the current version.

| <b>Changes from Revision A (August 2021) to Revision B (April 2022)</b>    | <b>Page</b> |
|--|-------------|
| • Updated the UIL/IEC certification status.....                            | 1           |
| • Corrected the ESD Ratings to show CDM testing was per JS-002.....        | 5           |
| • Updated <a href="#">Table 8-3</a> .....                                  | 25          |
| <b>Changes from Revision * (May 2021) to Revision A (August 2021)</b>      | <b>Page</b> |
| • Added TPS259461 device variant to the document.....                      | 1           |
| • Updated <a href="#">Equation 9</a> and <a href="#">Equation 12</a> ..... | 32          |

## 5 Device Comparison Table

| Part Number   | Overvoltage Response | Overcurrent Response | PG Output | Adjustable PG Threshold | SPLYGD Output | $\overline{\text{FLT}}$ Output | Response To Fault |
|---------------|----------------------|----------------------|-----------|-------------------------|---------------|--------------------------------|-------------------|
| TPS259460ARPW | Adjustable OVLO      | Active Current Limit | Y         | Y                       | N             | N                              | Auto-Retry        |
| TPS259460LRPW |                      |                      | Latch-Off |                         |               |                                |                   |
| TPS259461ARPW |                      |                      | N         | N                       | Y             | Y                              | Auto-Retry        |
| TPS259461LRPW |                      |                      | Latch-Off |                         |               |                                |                   |

## 6 Pin Configuration and Functions

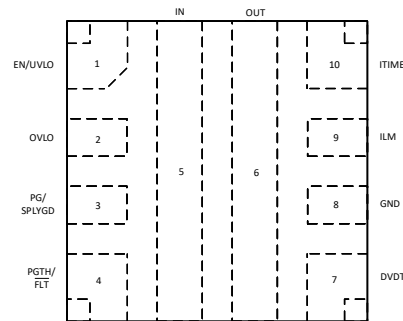


Figure 6-1. TPS25946xx RPW Package 10-Pin QFN Top View

Table 6-1. Pin Functions

| PIN                     |     | TYPE           | DESCRIPTION  |
|-------------------------|-----|----------------|--|
| NAME                    | NO. |                |  |
| EN/UVLO                 | 1   | Analog Input   | Active High Enable for the device. A resistor divider on this pin from input supply to GND can be used to adjust the Undervoltage Lockout threshold. <i>Do not leave floating.</i> Refer to <a href="#">Section 8.3.1</a> for details.   |
| OVLO                    | 2   | Analog Input   | A Resistor Divider on this pin from supply to GND can be used to adjust the Overvoltage Lockout threshold. This pin can also be used as an Active Low Enable for the device. <i>Do not leave floating.</i> Refer to <a href="#">Section 8.3.2</a> for details.   |
| PG                      | 3   | Digital Output | TPS259460x: Power Good indication. This pin is an Open Drain signal which is asserted High when the internal power path is fully turned ON and PGTH input exceeds a certain threshold. Refer to <a href="#">Section 8.3.8</a> for more details.  |
| SPLYGD                  |     |                | TPS259461x: Input Supply Good indication. This pin is an Open Drain signal which is asserted High when the input supply is valid and device has completed inrush sequence. Refer to <a href="#">Section 8.3.9</a> for more details.  |
| PGTH                    | 4   | Analog Input   | TPS259460x: Power Good Threshold. Refer to <a href="#">Section 8.3.8</a> for more details.   |
| $\overline{\text{FLT}}$ |     | Digital Output | TPS259461x: Active low Fault event indicator. This pin is an Open Drain signal which will be pulled low when a fault is detected. Refer to <a href="#">Section 8.3.7</a> for more details.   |
| IN                      | 5   | Power          | Power input/output   |
| OUT                     | 6   | Power          | Power input/output   |
| DVDT                    | 7   | Analog Output  | A capacitor from this pin to GND sets the output turn on slew rate. Leave this pin floating for the fastest turn on slew rate. Refer to <a href="#">Section 8.3.3.1</a> for details.   |
| GND                     | 8   | Ground         | This pin is the ground reference for all internal circuits and must be connected to system GND.  |
| ILM                     | 9   | Analog Output  | This pin is a dual function pin used to limit and monitor the output current. An external resistor from this pin to GND sets the output current limit threshold during start-up as well as steady state. The pin voltage can also be used as analog output load current monitor signal. <i>Do not leave floating.</i> Refer to <a href="#">Section 8.3.3.2</a> for more details. |
| ITIMER                  | 10  | Analog Output  | A capacitor from this pin to GND sets the overcurrent blanking interval during which the output current can temporarily exceed set current limit (but lower than fast-trip threshold) before the device overcurrent response takes action. Leave this pin open for fastest response to overcurrent events. Refer to <a href="#">Section 8.3.3.2</a> for more details.            |

## 7 Specifications

### 7.1 Absolute Maximum Ratings

over operating free-air temperature range (unless otherwise noted)<sup>(1)</sup>

| Parameter            |   | Pin      | MIN                | MAX                            | UNIT               |
|----------------------|---|----------|--------------------|--------------------------------|--------------------|
| V <sub>IN</sub>      | Maximum Input Voltage Range, $-40^{\circ}\text{C} \leq T_J \leq 125^{\circ}\text{C}$  | IN       | -0.3               | 28                             | V                  |
| V <sub>OUT</sub>     | Maximum Output Voltage Range, $-40^{\circ}\text{C} \leq T_J \leq 125^{\circ}\text{C}$ | OUT      | -0.3               | min (28, V <sub>IN</sub> + 21) |                    |
|                      | Maximum Output Voltage Range, $-10^{\circ}\text{C} \leq T_J \leq 125^{\circ}\text{C}$ |          | -0.3               | min (28, V <sub>IN</sub> + 22) |                    |
| V <sub>OUT,PLS</sub> | Minimum Output Voltage Pulse (< 1 $\mu\text{s}$ )                                     | OUT      | -0.8               |                                |                    |
| V <sub>EN/UVLO</sub> | Maximum Enable Pin Voltage Range  | EN/UVLO  | -0.3               | 6.5                            | V                  |
| V <sub>OVLO</sub>    | Maximum OVLO Pin Voltage Range  | OVLO     | -0.3               | 6.5                            | V                  |
| V <sub>dVdT</sub>    | Maximum dVdT Pin Voltage Range  | dVdT     | Internally Limited |                                | V                  |
| V <sub>ITIMER</sub>  | Maximum ITIMER Pin Voltage Range  | ITIMER   | Internally Limited |                                | V                  |
| V <sub>PG</sub>      | Maximum PG Pin Voltage Range (TPS259460x)   | PG       | -0.3               | 6.5                            | V                  |
| V <sub>PGTH</sub>    | Maximum PGTH Pin Voltage Range (TPS259460x)   | PGTH     | -0.3               | 6.5                            | V                  |
| V <sub>SPLYGD</sub>  | Maximum SPLYGD Pin Voltage Range (TPS259461x)   | SPLYGD   | -0.3               | 6.5                            | V                  |
| V <sub>FLT</sub>     | Maximum FLT Pin Voltage Range (TPS259461x)  | FLT      | -0.3               | 6.5                            | V                  |
| V <sub>ILM</sub>     | Maximum ILM Pin Voltage Range   | ILM      | Internally Limited |                                | V                  |
| I <sub>MAX</sub>     | Maximum Continuous Switch Current   | IN - OUT | Internally Limited |                                | A                  |
| T <sub>J</sub>       | Junction temperature  |          | Internally Limited |                                | $^{\circ}\text{C}$ |
| T <sub>LEAD</sub>    | Maximum Lead Temperature  |          |                    | 300                            | $^{\circ}\text{C}$ |
| T <sub>STG</sub>     | Storage temperature   |          | -65                | 150                            | $^{\circ}\text{C}$ |

- (1) Operation outside the Absolute Maximum Ratings may cause permanent device damage. Absolute Maximum Ratings do not imply functional operation of the device at these or any other conditions beyond those listed under *Recommended Operating Conditions*. If used outside the Recommended Operating Conditions but within the Absolute Maximum Ratings, the device may not be fully functional, and this may affect device reliability, functionality, performance, and shorten the device lifetime.

### 7.2 ESD Ratings

|                    |                         |   | VALUE | UNIT |
|--------------------|-------------------------|---|-------|------|
| V <sub>(ESD)</sub> | Electrostatic discharge | Human body model (HBM), per ANSI/ESDA/JEDEC JS-001 <sup>(1)</sup> | ±2000 | V    |
|                    |                         | Charged device model (CDM), ANSI/ESDA/JEDEC JS-002 <sup>(2)</sup> | ±500  |      |

- (1) JEDEC document JEP155 states that 500-V HBM allows safe manufacturing with a standard ESD control process.  
(2) JEDEC document JEP157 states that 250-V CDM allows safe manufacturing with a standard ESD control process.

### 7.3 Recommended Operating Conditions

over operating free-air temperature range (unless otherwise noted)

| Parameter            |   | Pin      | MIN                            | MAX  | UNIT |
|----------------------|---|----------|--------------------------------|------|------|
| V <sub>IN</sub>      | Input Voltage Range                               | IN       | 2.7                            | 23   | V    |
| V <sub>OUT</sub>     | Output Voltage Range                              | OUT      | min (23, V <sub>IN</sub> + 20) |      | V    |
| V <sub>EN/UVLO</sub> | Enable Pin Voltage Range                          | EN/UVLO  | 5 <sup>(1)</sup>               |      | V    |
| V <sub>OVLO</sub>    | OVLO Pin Voltage Range                            | OVLO     | 0.5                            | 1.5  | V    |
| V <sub>dVdT</sub>    | dVdt Capacitor Voltage Rating                     | dVdt     | V <sub>IN</sub> + 5 V          |      | V    |
| V <sub>PG</sub>      | PG Pin Voltage Range (TPS259460x)                 | PG       | 5                              |      | V    |
| V <sub>PGTH</sub>    | PGTH Pin Voltage Range (TPS259460x)               | PGTH     | 5                              |      | V    |
| V <sub>SPLYGD</sub>  | SPLYGD Pin Voltage Range (TPS259461x)             | SPLYGD   | 5                              |      | V    |
| V <sub>FLT</sub>     | FLT Pin Voltage Range (TPS259461x)                | FLT      | 5                              |      | V    |
| V <sub>ITIMER</sub>  | ITIMER Pin Capacitor Voltage Rating               | ITIMER   | 4                              |      | V    |
| R <sub>ILM</sub>     | ILM Pin Resistance                                | ILM      | 549                            | 6650 | Ω    |
| I <sub>MAX</sub>     | Continuous Switch Current, T <sub>J</sub> ≤ 125°C | IN - OUT | 5.5                            |      | A    |
| T <sub>J</sub>       | Junction temperature                              |          | -40                            | 125  | °C   |

- (1) For supply voltages below 5V, it is okay to pull up the EN pin to IN directly. For supply voltages greater than 5V, it is recommended to use a pull-up resistor with a minimum value of 350 kΩ.

### 7.4 Thermal Information

| THERMAL METRIC <sup>(1)</sup> |  | TPS25946xx          | UNIT |
|-------------------------------|--|---------------------|------|
|                               |  | RPW (QFN)           |      |
|                               |  | 10 PINS             |      |
| R <sub>θJA</sub>              | Junction-to-ambient thermal resistance       | 41.7 <sup>(2)</sup> | °C/W |
|                               |  | 74.5 <sup>(3)</sup> | °C/W |
| Ψ <sub>JT</sub>               | Junction-to-top characterization parameter   | 1                   | °C/W |
| Ψ <sub>JB</sub>               | Junction-to-board characterization parameter | 20 <sup>(2)</sup>   | °C/W |
|                               |  | 27.6 <sup>(3)</sup> | °C/W |

- (1) For more information about traditional and new thermal metrics, see the [Semiconductor and IC Package Thermal Metrics](#) application report.
- (2) Based on simulations conducted with the device mounted on a custom 4-layer PCB (2s2p) with 8 thermal vias under device
- (3) Based on simulations conducted with the device mounted on a JEDEC 4-layer PCB (2s2p) with no thermal vias under device

## 7.5 Electrical Characteristics

(Test conditions unless otherwise noted)  $-40^{\circ}\text{C} \leq T_J \leq 125^{\circ}\text{C}$ ,  $V_{\text{IN}} = 12\text{ V}$ ,  $\text{OUT} = \text{Open}$ ,  $V_{\text{EN/UVLO}} = 2\text{ V}$ ,  $V_{\text{OVLO}} = 0\text{ V}$ ,  $R_{\text{ILM}} = 549\ \Omega$ ,  $dVdT = \text{Open}$ ,  $\text{ITIMER} = \text{Open}$ ,  $\text{PGTH}/\overline{\text{FLT}} = \text{Open}$ ,  $\text{PG}/\text{SPLYGD} = \text{Open}$ . All voltages referenced to GND.

| Test Parameter                               | Description   | MIN   | TYP   | MAX   | UNITS           |
|--|---|-------|-------|-------|-----------------|
| <b>INPUT SUPPLY (IN)</b>                     |   |       |       |       |                 |
| $V_{\text{UVP(R)}}$                          | IN Supply UVP Rising threshold  | 2.44  | 2.53  | 2.64  | V               |
| $V_{\text{UVP(F)}}$                          | IN Supply UVP Falling threshold   | 2.35  | 2.42  | 2.55  | V               |
| $I_{\text{Q(ON)}}$                           | IN Supply Quiescent Current   |       | 428   | 610   | $\mu\text{A}$   |
| $I_{\text{Q(OFF)}}$                          | IN Supply disabled State Current ( $V_{\text{SD(F)}} < V_{\text{EN}} < V_{\text{UVLO(F)}}$ )  |       | 73    | 130   | $\mu\text{A}$   |
| $I_{\text{SD}}$                              | IN Supply Shutdown Current ( $V_{\text{EN}} < V_{\text{SD(F)}}$ )   |       | 4.4   | 28.7  | $\mu\text{A}$   |
| <b>ON RESISTANCE (IN - OUT)</b>              |   |       |       |       |                 |
| $R_{\text{ON}}$                              | $V_{\text{IN}} = 12\text{ V}$ , $I_{\text{OUT}} = 3\text{ A}$ , $T_J = 25^{\circ}\text{C}$  |       | 28.3  |       | m $\Omega$      |
|  | $2.7 \leq V_{\text{IN}} \leq 23\text{ V}$ , $I_{\text{OUT}} = 3\text{ A}$ , $-40^{\circ}\text{C} \leq T_J \leq 125^{\circ}\text{C}$                         |       |       | 45    | m $\Omega$      |
| <b>ENABLE/UNDERVOLTAGE LOCKOUT (EN/UVLO)</b> |   |       |       |       |                 |
| $V_{\text{UVLO(R)}}$                         | UVLO Rising threshold   | 1.183 | 1.20  | 1.223 | V               |
| $V_{\text{UVLO(F)}}$                         | UVLO Falling threshold  | 1.076 | 1.09  | 1.116 | V               |
| $V_{\text{SD(F)}}$                           | EN/UVLO Falling Threshold for lowest shutdown current   | 0.45  | 0.74  |       | V               |
| $I_{\text{ENLKG}}$                           | EN/UVLO leakage current   | -0.1  |       | 0.1   | $\mu\text{A}$   |
| <b>OVERVOLTAGE LOCKOUT (OVLO)</b>            |   |       |       |       |                 |
| $V_{\text{OV(R)}}$                           | OVLO Rising threshold   | 1.183 | 1.20  | 1.223 | V               |
| $V_{\text{OV(F)}}$                           | OVLO Falling threshold  | 1.076 | 1.09  | 1.116 | V               |
| $I_{\text{OVLKG}}$                           | OVLO pin leakage current, $0.5\text{ V} < V_{\text{OVLO}} < 1.5\text{ V}$   | -0.1  |       | 0.1   | $\mu\text{A}$   |
| <b>OVERCURRENT PROTECTION (OUT)</b>          |   |       |       |       |                 |
| $I_{\text{LIM}}$                             | Overcurrent Threshold, $R_{\text{ILM}} = 6.65\text{ k}\Omega$   | 0.425 | 0.500 | 0.575 | A               |
|  | Overcurrent Threshold, $R_{\text{ILM}} = 3.32\text{ k}\Omega$   | 0.850 | 1.007 | 1.150 | A               |
|  | Overcurrent Threshold, $R_{\text{ILM}} = 1.65\text{ k}\Omega$   | 1.800 | 2.028 | 2.200 | A               |
|  | Overcurrent Threshold, $R_{\text{ILM}} = 750\ \Omega$   | 3.960 | 4.452 | 4.840 | A               |
|  | Overcurrent Threshold, $R_{\text{ILM}} = 549\ \Omega$   | 5.400 | 6.068 | 6.600 | A               |
| $I_{\text{FLT}}$                             | Circuit Breaker Threshold, ILM Pin Open (Single point failure)  |       | 0.1   |       | A               |
|  | Circuit Breaker Threshold, ILM Pin Shorted to GND (Single point failure)  |       | 1.1   | 2.1   | A               |
| $I_{\text{SCGain}}$                          | Scalable Fast Trip Threshold ( $I_{\text{SC}}$ ) : $I_{\text{LIM}}$ Ratio   |       | 201   |       | %               |
| $I_{\text{FT}}$                              | Fixed Fast-trip current threshold   |       | 22.2  |       | A               |
| $V_{\text{FB}}$                              | $V_{\text{OUT}}$ threshold to exit Current Limit Foldback   |       | 1.9   |       | V               |
| <b>OVERCURRENT FAULT TIMER (ITIMER)</b>      |   |       |       |       |                 |
| $V_{\text{INT}}$                             | ITIMER pin internal pull-up voltage   | 2.3   | 2.57  | 2.72  | V               |
| $R_{\text{ITIMER}}$                          | ITIMER pin internal pull-up resistance  |       | 15    |       | k $\Omega$      |
| $I_{\text{ITIMER}}$                          | ITIMER pin internal discharge current, $I_{\text{OUT}} > I_{\text{LIM}}$  | 1.2   | 1.8   | 2.5   | $\mu\text{A}$   |
| $\Delta V_{\text{ITIMER}}$                   | ITIMER discharge differential voltage threshold   | 1.286 | 1.51  | 1.741 | V               |
| <b>OUTPUT LOAD CURRENT MONITOR (ILM)</b>     |   |       |       |       |                 |
| $G_{\text{IMON}}$                            | Analog Load Current Monitor Gain ( $I_{\text{MON}} : I_{\text{OUT}}$ ), $I_{\text{OUT}} = 0.5\text{ A}$ to $1\text{ A}$ , $I_{\text{OUT}} < I_{\text{LIM}}$ | 165   | 182   | 200   | $\mu\text{A/A}$ |
|  | Analog Load Current Monitor Gain ( $I_{\text{MON}} : I_{\text{OUT}}$ ), $I_{\text{OUT}} = 1\text{ A}$ to $5.5\text{ A}$ , $I_{\text{OUT}} < I_{\text{LIM}}$ | 165   | 182   | 200   | $\mu\text{A/A}$ |

## 7.5 Electrical Characteristics (continued)

(Test conditions unless otherwise noted)  $-40^{\circ}\text{C} \leq T_J \leq 125^{\circ}\text{C}$ ,  $V_{IN} = 12\text{ V}$ ,  $\text{OUT} = \text{Open}$ ,  $V_{EN/UVLO} = 2\text{ V}$ ,  $V_{OVLO} = 0\text{ V}$ ,  $R_{ILM} = 549\ \Omega$ ,  $dVdT = \text{Open}$ ,  $\text{ITIMER} = \text{Open}$ ,  $\text{PGTH}/\overline{\text{FLT}} = \text{Open}$ ,  $\text{PG}/\text{SPLYGD} = \text{Open}$ . All voltages referenced to GND.

| Test Parameter   | Description  | MIN   | TYP  | MAX   | UNITS              |
|--|--|-------|------|-------|--------------------|
| <b>POWER GOOD INDICATION (PG) - TPS259460x OR SUPPLY GOOD INDICATION (SPLYGD) - TPS259461x</b> |  |       |      |       |                    |
| $V_{PGD}$  | PG/SPLYGD pin voltage while de-asserted, $V_{IN} < V_{UVP(F)}$ , $V_{EN} < V_{SD(F)}$ , Weak pull-up ( $I_{PG} = 26\ \mu\text{A}$ )    |       | 0.67 | 1     | V                  |
|  | PG/SPLYGD pin voltage while de-asserted, $V_{IN} < V_{UVP(F)}$ , $V_{EN} < V_{SD(F)}$ , Strong pull-up ( $I_{PG} = 242\ \mu\text{A}$ ) |       | 0.79 | 1     | V                  |
|  | PG/SPLYGD pin voltage while de-asserted, $V_{IN} > V_{UVP(R)}$   |       | 0    |       | V                  |
| $I_{PGLKG}$  | PG/SPLYGD Pin leakage current, PG/SPLYGD asserted  |       | 0.9  | 3     | $\mu\text{A}$      |
| <b>POWERGOOD THRESHOLD (PGTH) - TPS259460x</b>   |  |       |      |       |                    |
| $V_{PGTH(R)}$  | PGTH Rising threshold  | 1.183 | 1.20 | 1.223 | V                  |
| $V_{PGTH(F)}$  | PGTH Falling threshold   | 1.076 | 1.09 | 1.116 | V                  |
| $I_{PGTHLKG}$  | PGTH leakage current   | -0.1  |      | 0.3   | $\mu\text{A}$      |
| <b>FAULT INDICATION (FLT) - TPS259461x</b>   |  |       |      |       |                    |
| $I_{FLTLKG}$   | $\overline{\text{FLT}}$ pin leakage current  | -1    |      | 1     | $\mu\text{A}$      |
| $R_{FLTb}$   | $\overline{\text{FLT}}$ pin pull-down resistance   |       | 12.3 |       | $\Omega$           |
| <b>OVERTEMPERATURE PROTECTION (OTP)</b>  |  |       |      |       |                    |
| TSD  | Thermal Shutdown Rising Threshold, $T_{J\uparrow}$   |       | 154  |       | $^{\circ}\text{C}$ |
| TSD <sub>HYS</sub>   | Thermal Shutdown Hysteresis, $T_{J\downarrow}$   |       | 10   |       | $^{\circ}\text{C}$ |
| <b>DVDT</b>  |  |       |      |       |                    |
| $I_{dVdt}$   | dVdt Pin Charging Current  | 0.81  | 2.21 | 3.82  | $\mu\text{A}$      |

## 7.6 Timing Requirements

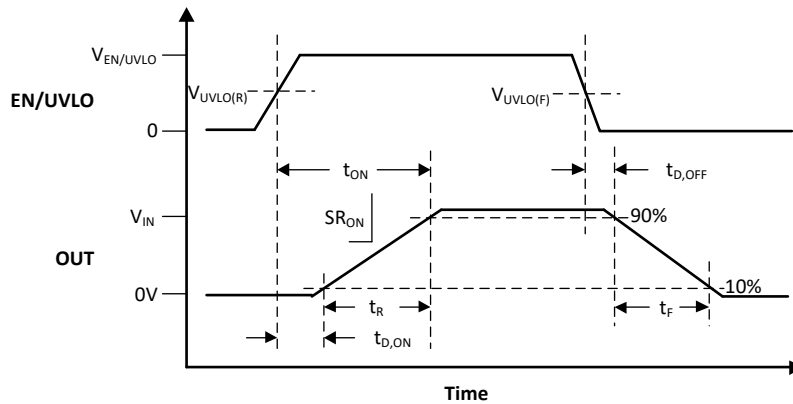
| PARAMETER  |  | TEST CONDITIONS  | MIN | TYP | MAX | UNIT          |
|------------|--|--|-----|-----|-----|---------------|
| $t_{OVLO}$ | Overvoltage lock-out response time           | $V_{OVLO} > V_{OV(R)}$ to $V_{OUT\downarrow}$  |     | 1.2 |     | $\mu\text{s}$ |
| $t_{LIM}$  | Current limit response time                  | $I_{OUT} > 1.2 \times I_{LIM}$ & ITIMER expired to $I_{OUT}$ settling to within 5 % of $I_{LIM}$ |     | 340 |     | $\mu\text{s}$ |
| $t_{SC}$   | Scalable fast-trip response time             | $I_{OUT} > 3 \times I_{LIM}$ to $I_{OUT\downarrow}$  |     | 500 |     | ns            |
| $t_{FT}$   | Fixed fast-trip response time                | $I_{OUT} > I_{FT}$ to $I_{OUT\downarrow}$  |     | 500 |     | ns            |
| $t_{RST}$  | Auto-Retry Interval after fault (TPS25946xA) |  |     | 110 |     | ms            |
| $t_{PGA}$  | PG Assertion de-glitch                       |  |     | 12  |     | $\mu\text{s}$ |
| $t_{PGD}$  | PG De-assertion de-glitch                    |  |     | 12  |     | $\mu\text{s}$ |



### 7.7 Switching Characteristics

The output rising slew rate is internally controlled and constant across the entire operating voltage range to ensure the turn on timing is not affected by the load conditions. The rising slew rate can be adjusted by adding capacitance from the dVdt pin to ground. As  $C_{dVdt}$  is increased it will slow the rising slew rate (SR). See Slew Rate and Inrush Current Control (dVdt) section for more details. The Turn-Off Delay and Fall Time, however, are dependent on the RC time constant of the load capacitance ( $C_{OUT}$ ) and Load Resistance ( $R_L$ ). The Switching Characteristics are only valid for the power-up sequence where the supply is available in steady state condition and the load voltage is completely discharged before the device is enabled. Typical Values are taken at  $T_J = 25^\circ\text{C}$  unless specifically noted otherwise.  $R_L = 100 \Omega$ ,  $C_{OUT} = 1 \mu\text{F}$

| PARAMETER   |                         | $V_{IN}$ | $C_{dVdt} = \text{Open}$ | $C_{dVdt} = 1800 \text{ pF}$ | $C_{dVdt} = 3300 \text{ pF}$ | UNIT          |
|-------------|-------------------------|----------|--------------------------|------------------------------|------------------------------|---------------|
| $SR_{ON}$   | Output Rising slew rate | 2.7 V    | 12.14                    | 0.87                         | 0.5                          | V/ms          |
|             |                         | 12 V     | 28.1                     | 1.09                         | 0.61                         |               |
|             |                         | 23 V     | 44.78                    | 1.25                         | 0.71                         |               |
| $t_{D,ON}$  | Turn on delay           | 2.7 V    | 0.09                     | 0.6                          | 0.97                         | ms            |
|             |                         | 12 V     | 0.1                      | 1.32                         | 2.35                         |               |
|             |                         | 23 V     | 0.11                     | 1.99                         | 3.69                         |               |
| $t_R$       | Rise time               | 2.7 V    | 0.17                     | 2.51                         | 4.33                         | ms            |
|             |                         | 12 V     | 0.35                     | 8.1                          | 15.37                        |               |
|             |                         | 23 V     | 0.40                     | 14.4                         | 25.89                        |               |
| $t_{ON}$    | Turn on time            | 2.7 V    | 0.27                     | 3.11                         | 5.31                         | ms            |
|             |                         | 12 V     | 0.45                     | 10.08                        | 17.72                        |               |
|             |                         | 23 V     | 0.50                     | 16.41                        | 29.57                        |               |
| $t_{D,OFF}$ | Turn off delay          | 2.7 V    | 64.44                    | 64.44                        | 64.44                        | $\mu\text{s}$ |
|             |                         | 12 V     | 25.32                    | 25.32                        | 25.32                        |               |
|             |                         | 23 V     | 23.02                    | 23.02                        | 23.02                        |               |



**Figure 7-1. TPS25946xx Switching Times**

## 7.8 Typical Characteristics

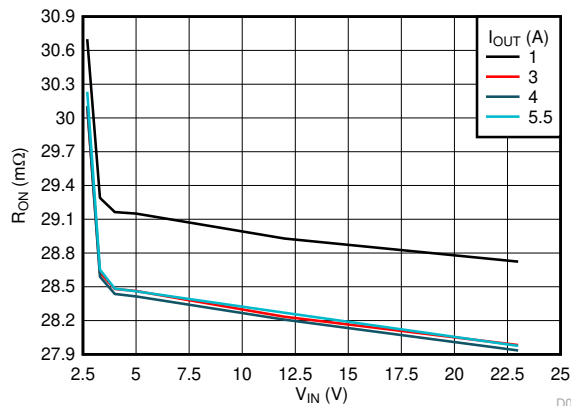


Figure 7-2. ON-Resistance vs Supply Voltage

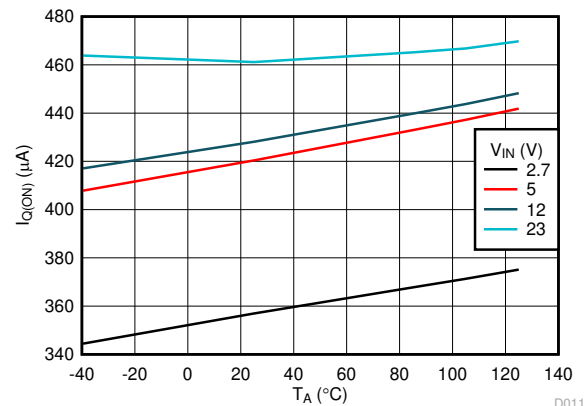


Figure 7-3. IN Quiescent Current vs Temperature

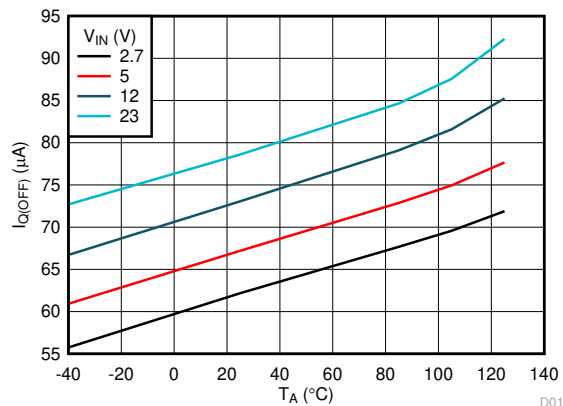


Figure 7-4. IN OFF State (UVLO) Current vs Temperature

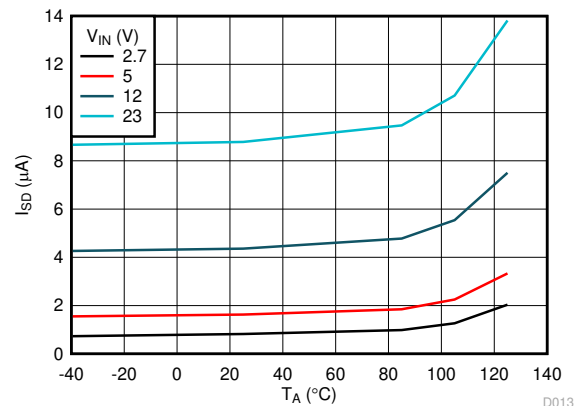


Figure 7-5. IN Shutdown Current vs Temperature

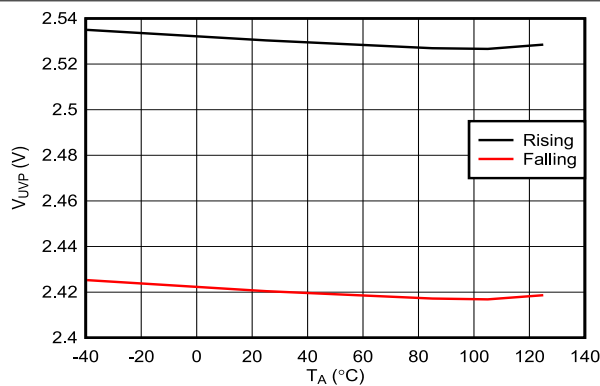


Figure 7-6. IN Undervoltage Threshold vs Temperature

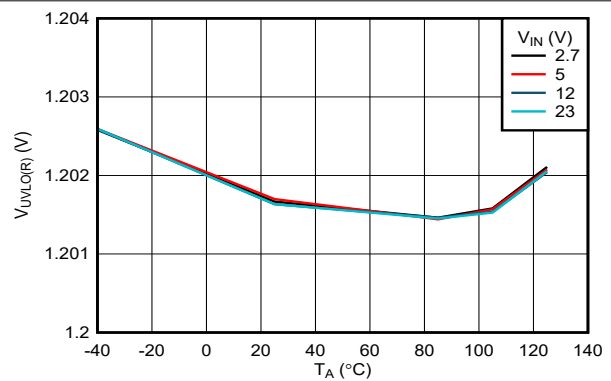


Figure 7-7. EN/UVLO Rising Threshold vs Temperature

### 7.8 Typical Characteristics (continued)

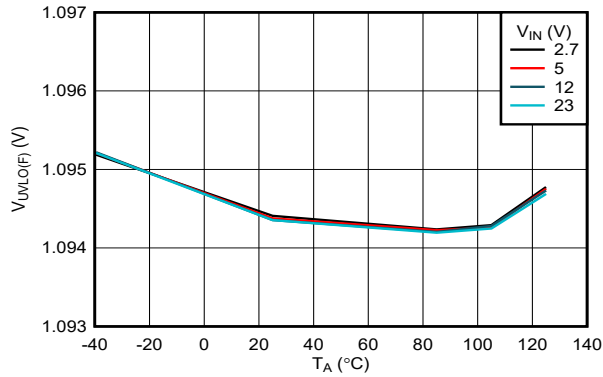


Figure 7-8. EN/UVLO Falling Threshold vs Temperature

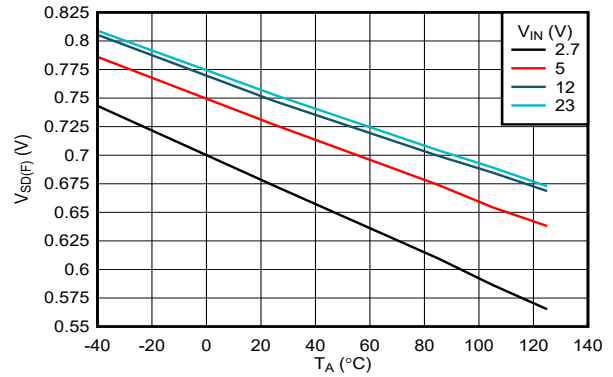


Figure 7-9. EN/UVLO Shutdown Falling Threshold vs Temperature

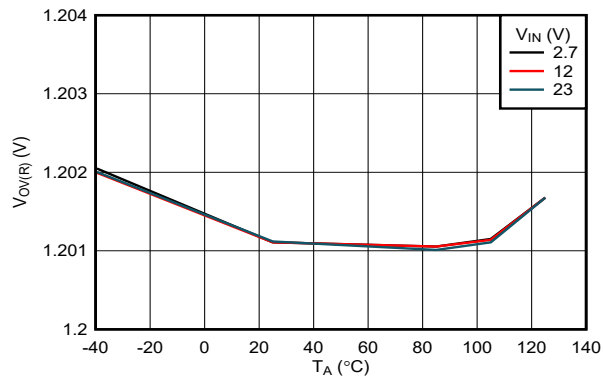


Figure 7-10. OVLO Rising Threshold vs Temperature

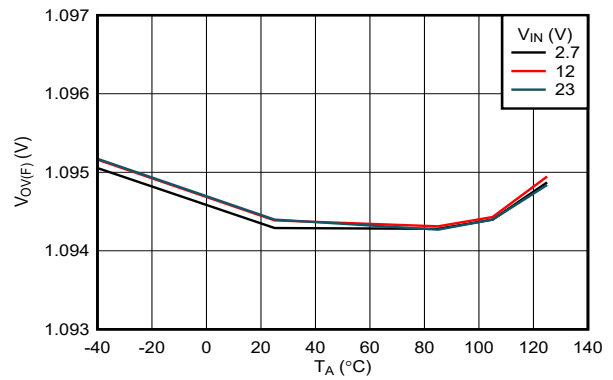


Figure 7-11. OVLO Falling Threshold vs Temperature

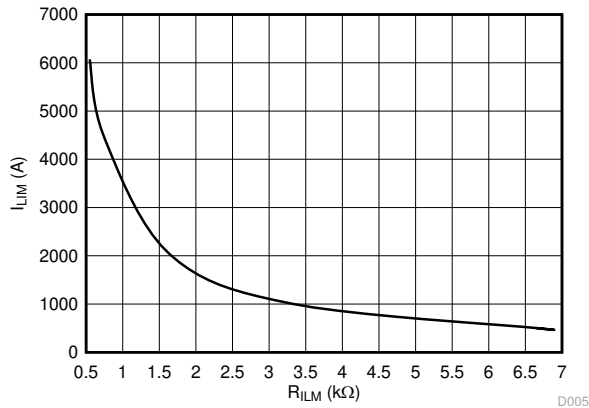


Figure 7-12. Overcurrent Threshold vs ILM Resistor

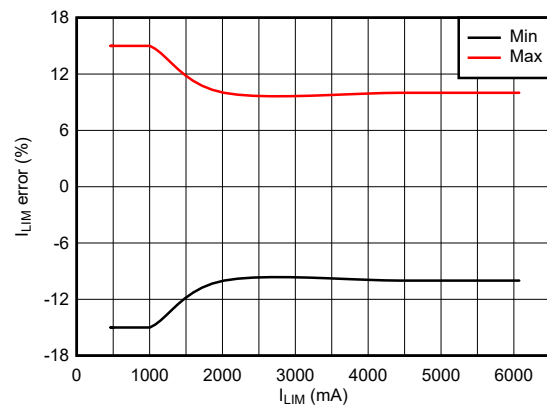


Figure 7-13. Overcurrent Threshold Accuracy (Across Process, Voltage, and Temperature)

### 7.8 Typical Characteristics (continued)

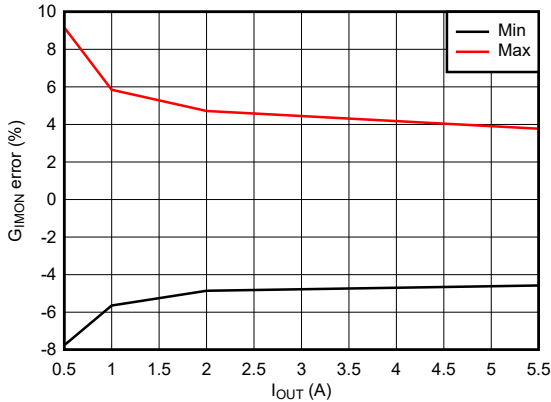


Figure 7-14. Analog Current Monitor Gain Accuracy

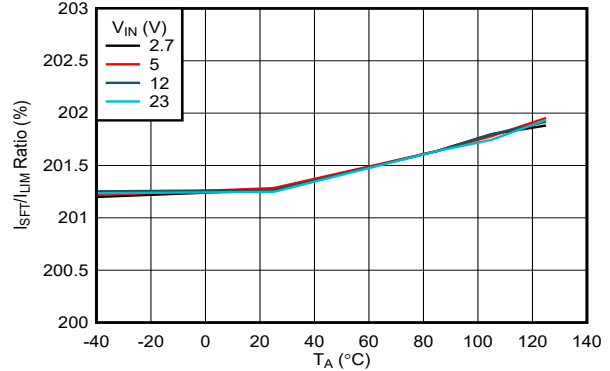


Figure 7-15. Scalable Fast-Trip Threshold: Current Limit Threshold (I<sub>LIM</sub>) Ratio vs Temperature

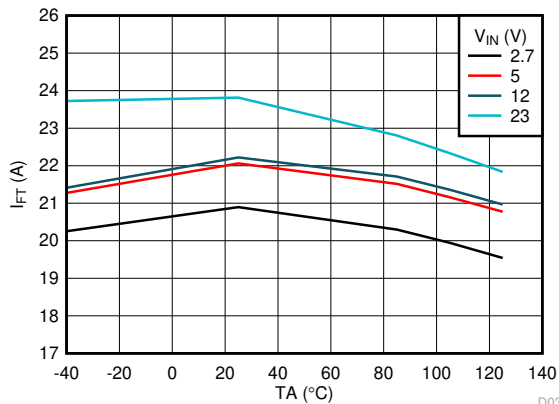


Figure 7-16. Steady State Fixed Fast-Trip Current Threshold vs Temperature

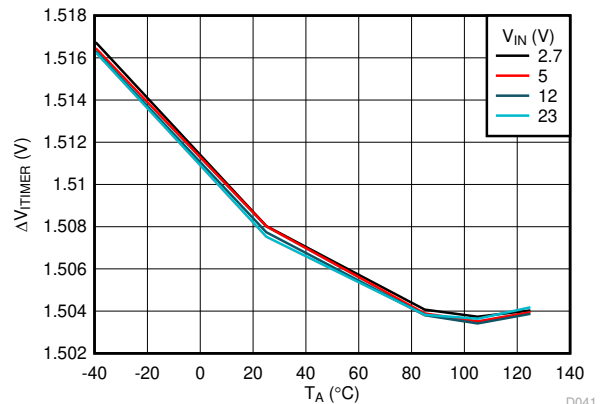


Figure 7-17. ITIMER Discharge Differential Voltage Threshold vs Temperature

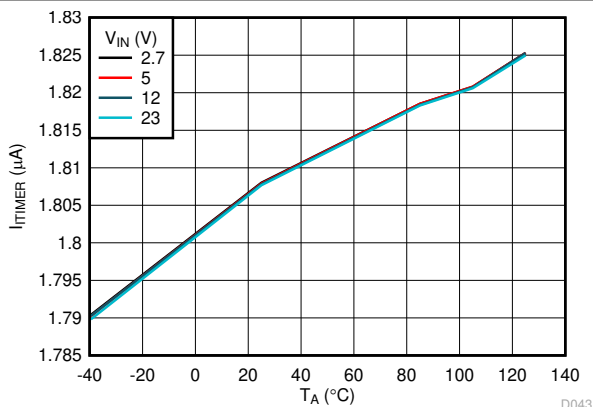


Figure 7-18. ITIMER Discharge Current vs Temperature

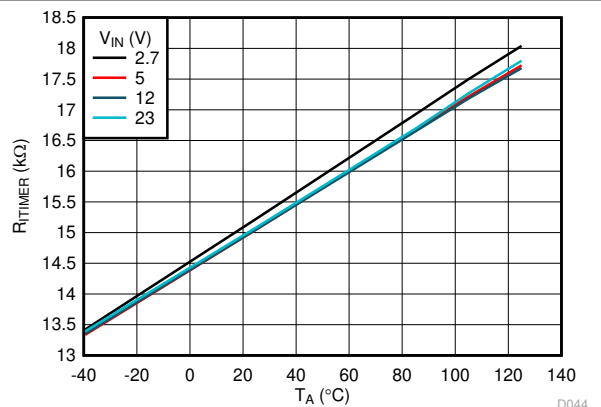


Figure 7-19. ITIMER Internal Pullup Resistance vs Temperature

### 7.8 Typical Characteristics (continued)

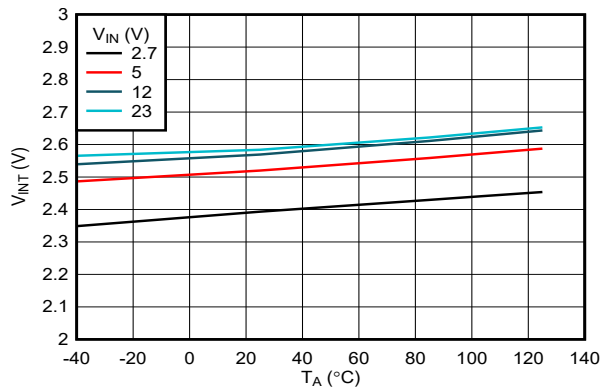


Figure 7-20. ITIMER Internal Pullup Voltage vs Temperature

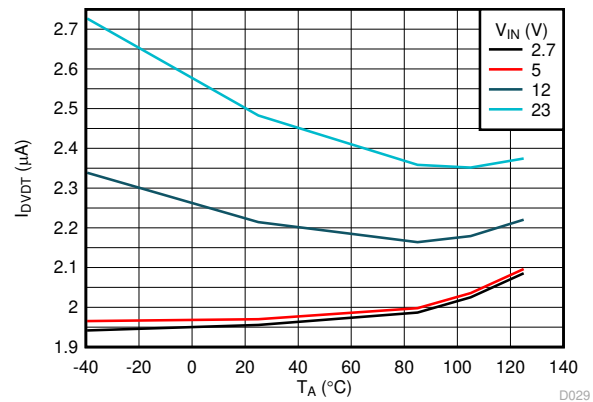


Figure 7-21. DVDT Charging Current vs Temperature

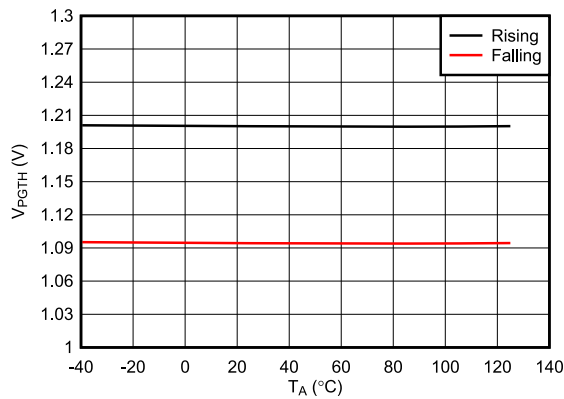


Figure 7-22. PGTH Threshold vs Temperature

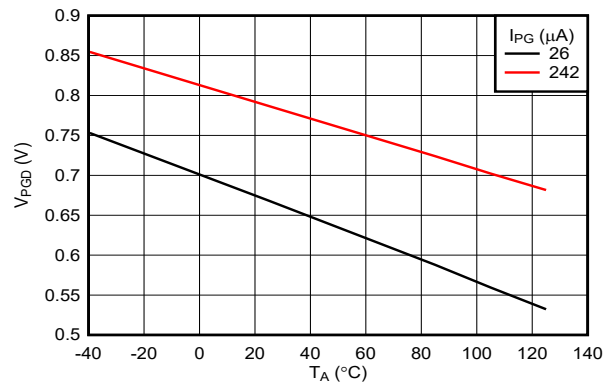


Figure 7-23. PG Low Voltage Without Input Supply vs Temperature

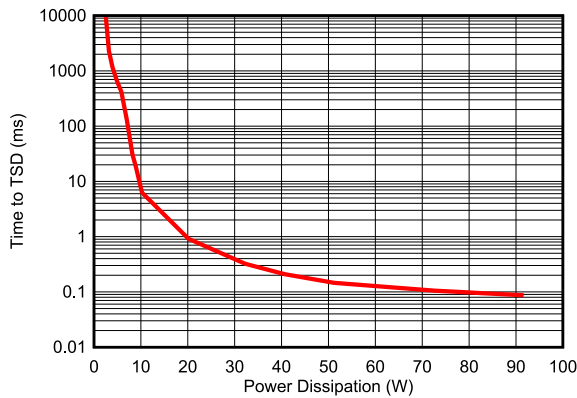


Figure 7-24. Time to Thermal Shut-Down During Inrush State

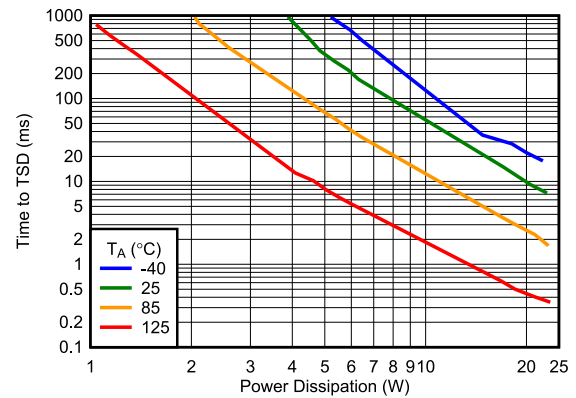
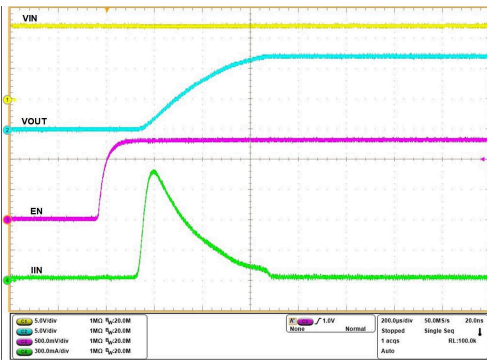


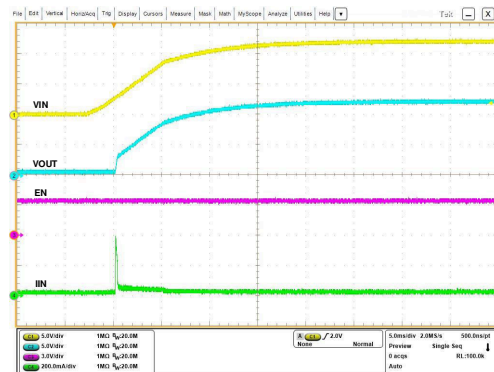
Figure 7-25. Time to Thermal Shut-Down During Steady State

### 7.8 Typical Characteristics (continued)



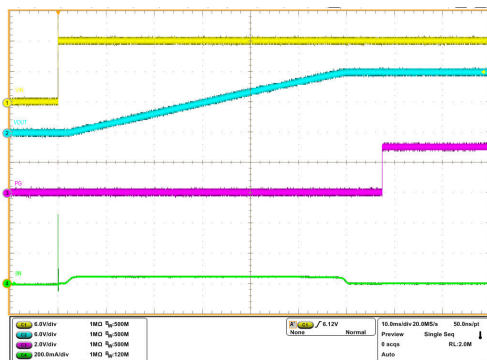
$V_{IN} = 12\text{ V}$ ,  $C_{OUT} = 30\ \mu\text{F}$ ,  $C_{dVdt} = \text{Open}$ ,  $V_{EN/UVLO}$  stepped up to 1.4 V

**Figure 7-26. Start-Up with Enable**



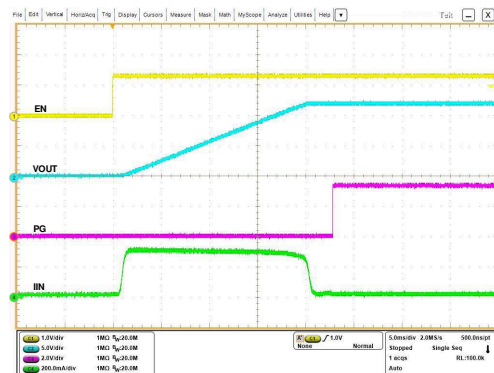
$V_{EN/UVLO} = 3.3\text{ V}$ ,  $C_{OUT} = 30\ \mu\text{F}$ ,  $C_{dVdt} = \text{Open}$ ,  $V_{IN}$  ramped up to 12 V

**Figure 7-27. Start-Up with IN Supply**



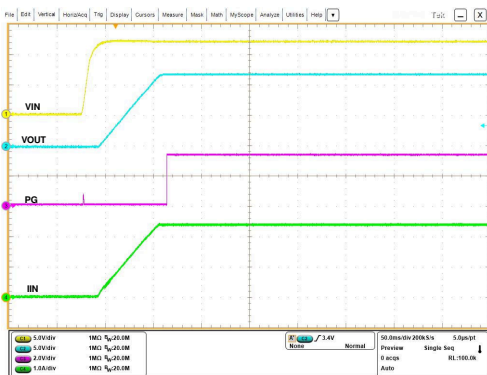
$C_{OUT} = 220\ \mu\text{F}$ ,  $C_{dVdt} = 10\ \text{nF}$ , EN/UVLO connected to IN through resistor ladder, 12 V hot-plugged to IN

**Figure 7-28. IN Hot-Plug**



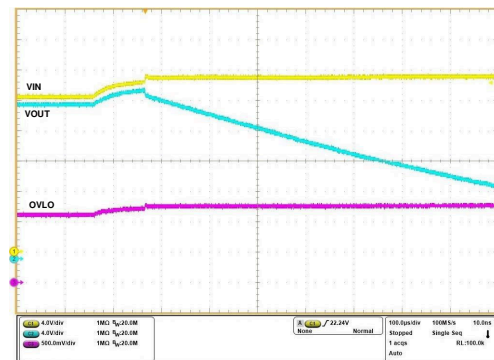
$V_{IN} = 12\text{ V}$ ,  $C_{OUT} = 470\ \mu\text{F}$ ,  $C_{dVdt} = 3300\ \text{pF}$ ,  $V_{EN/UVLO}$  stepped up to 1.4 V

**Figure 7-29. Inrush Current with Capacitive Load**



$V_{IN} = 12\text{ V}$ ,  $C_{OUT} = 470\ \mu\text{F}$ ,  $R_{OUT} = 5\ \Omega$ ,  $C_{dVdt} = 3300\ \text{pF}$ ,  $V_{EN/UVLO}$  stepped up to 1.4 V

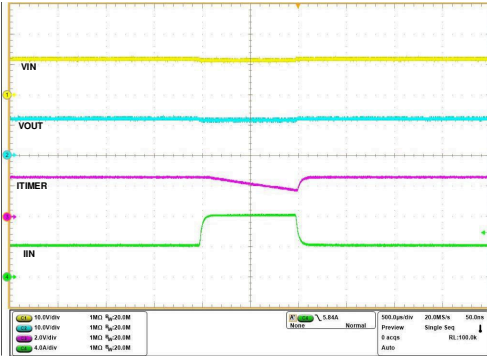
**Figure 7-30. Inrush Current with Resistive and Capacitive Load**



$C_{OUT} = 220\ \mu\text{F}$ ,  $I_{OUT} = 4\text{ A}$ ,  $V_{IN}$  Overvoltage threshold set to 22 V,  $V_{IN}$  ramped up from 20 V to 23 V

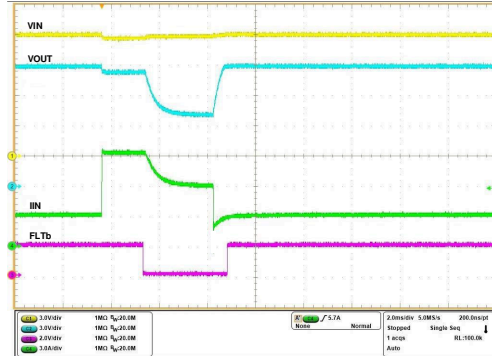
**Figure 7-31. Overvoltage Lockout Response**

## 7.8 Typical Characteristics (continued)



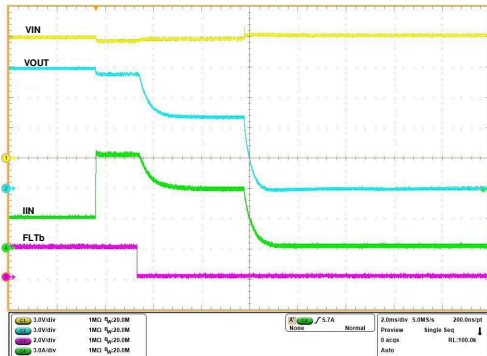
$V_{IN} = 12\text{ V}$ ,  $C_{ITIMER} = 2.2\text{ nF}$ ,  $C_{OUT} = 470\text{ }\mu\text{F}$ ,  $R_{ILM} = 549\text{ }\Omega$ ,  
 $I_{OUT}$  ramped from 4 A  $\rightarrow$  8 A  $\rightarrow$  4 A within 1 ms

Figure 7-32. Transient Overcurrent Blanking Timer Response



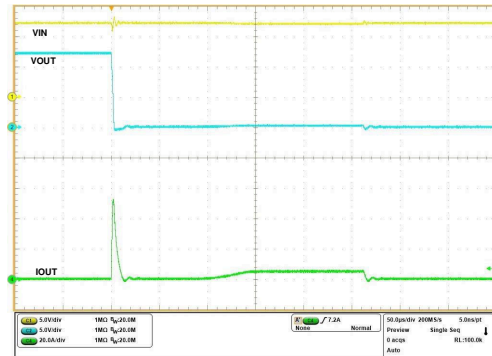
$V_{IN} = 12\text{ V}$ ,  $C_{ITIMER} = 2.2\text{ nF}$ ,  $C_{OUT} = 220\text{ }\mu\text{F}$ ,  $R_{ILM} = 549\text{ }\Omega$ ,  
 $I_{OUT}$  stepped from 3 A  $\rightarrow$  9 A  $\rightarrow$  3 A within 5 ms

Figure 7-33. Active Current Limit Response



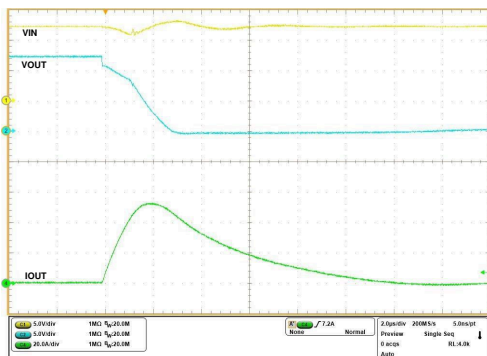
$V_{IN} = 12\text{ V}$ ,  $C_{ITIMER} = 2.2\text{ nF}$ ,  $C_{OUT} = 220\text{ }\mu\text{F}$ ,  $R_{ILM} = 549\text{ }\Omega$ ,  
 $I_{OUT}$  stepped from 3 A  $\rightarrow$  9 A

Figure 7-34. Active Current Limit Response Followed by TSD



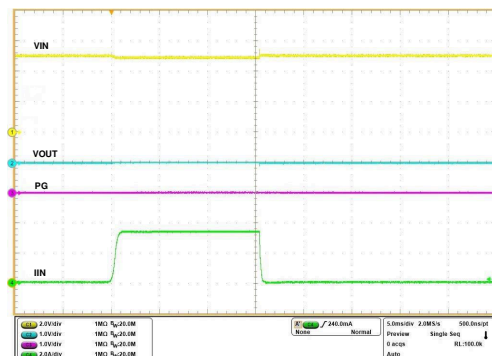
$V_{IN} = 12\text{ V}$ ,  $R_{ILM} = 549\text{ }\Omega$ ,  $V_{EN/UVLO} = 3.3\text{ V}$ , OUT stepped from  
Open  $\rightarrow$  Short-circuit to GND

Figure 7-35. OUT Pin Short-Circuit During Steady State



$V_{IN} = 12\text{ V}$ ,  $R_{ILM} = 549\text{ }\Omega$ ,  $V_{EN/UVLO} = 3.3\text{ V}$ , OUT stepped from  
Open  $\rightarrow$  Short-circuit to GND

Figure 7-36. OUT Pin Short-Circuit During Steady State  
(Zoomed In)



$V_{IN} = 5\text{ V}$ ,  $C_{OUT} = \text{Open}$ , OUT short-circuit to GND,  $R_{ILM} = 750\text{ }\Omega$ ,  
 $V_{EN/UVLO}$  stepped from 0 V to 3.3 V

Figure 7-37. Power Up with OUT Pin Short-Circuit to GND

## 8 Detailed Description

### 8.1 Overview

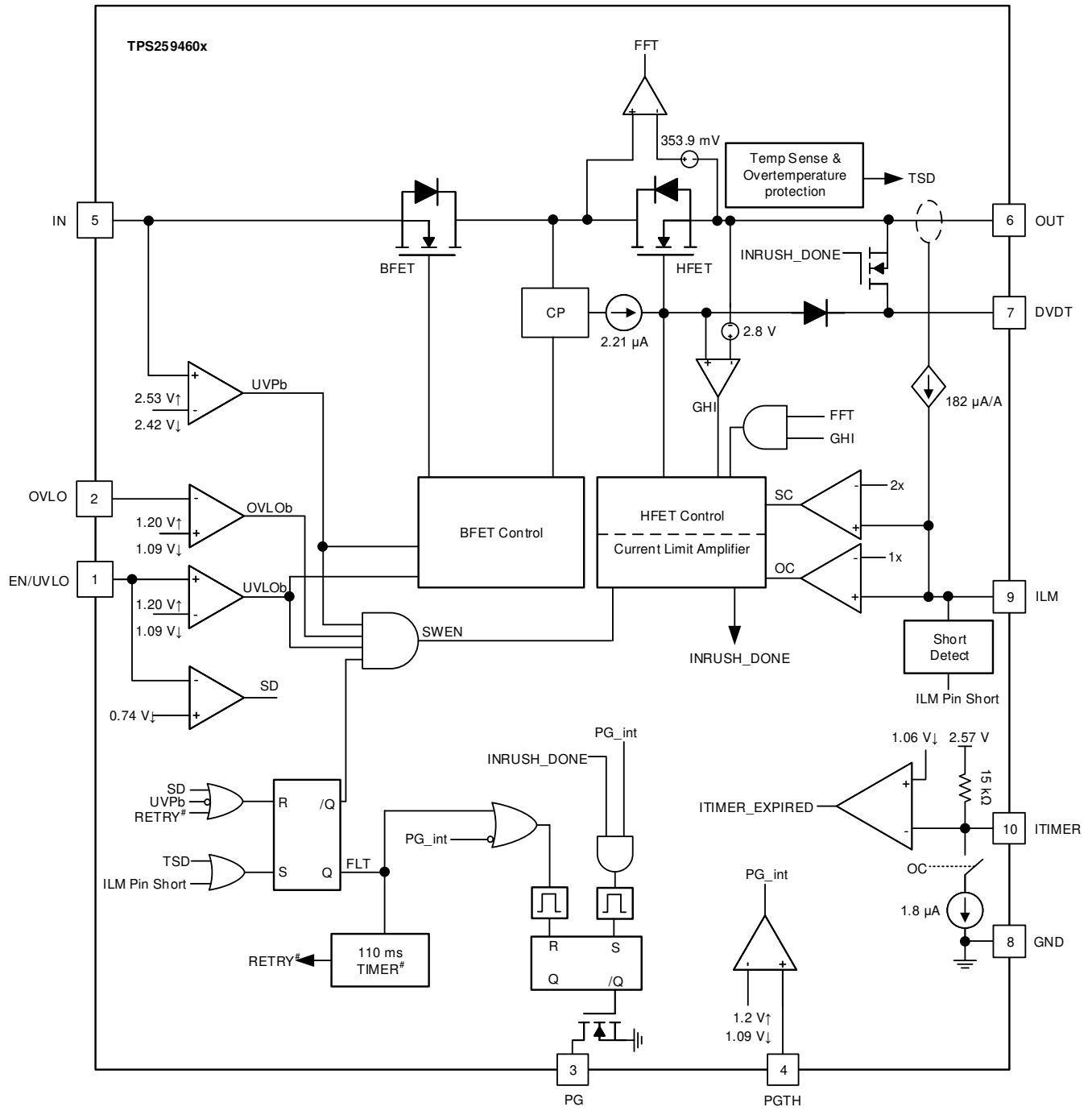
The TPS25946xx is an eFuse with integrated power path that is used to ensure safe power delivery in a system. The device starts its operation by monitoring the IN bus. When the input supply voltage ( $V_{IN}$ ) exceeds the undervoltage protection threshold ( $V_{UVP}$ ), the device samples the EN/UVLO pin. A high level ( $> V_{UVLO}$ ) on this pin enables the internal power path (BFET + HFET) to start conducting and allow current to flow in both directions. When the IN supply voltage is insufficient ( $< V_{UVP}$ ) or the EN/UVLO is held low ( $< V_{UVLO}$ ), the internal power path is turned off, thereby blocking current flow in both directions.

After a successful start-up sequence, the device now actively monitors its IN voltage and load current from IN to OUT, and controls the internal HFET to ensure that the user adjustable overcurrent limit threshold ( $I_{LIM}$ ) is not exceeded and overvoltage spikes are cut off after they cross the user adjustable overvoltage lockout threshold ( $V_{OVLO}$ ). The device also provides fast protection against severe overcurrent during short-circuit events on OUT pin. This feature keeps the system safe from harmful levels of voltage and current. At the same time, a user adjustable overcurrent blanking timer allows the system to pass moderate transient peaks in the load current profile without tripping the eFuse. This ensures a robust protection solution against real faults which is also immune to transients, thereby ensuring maximum system uptime.

The device also has a built-in thermal sensor based shutdown mechanism to protect itself in case the device temperature ( $T_J$ ) exceeds the recommended operating conditions.

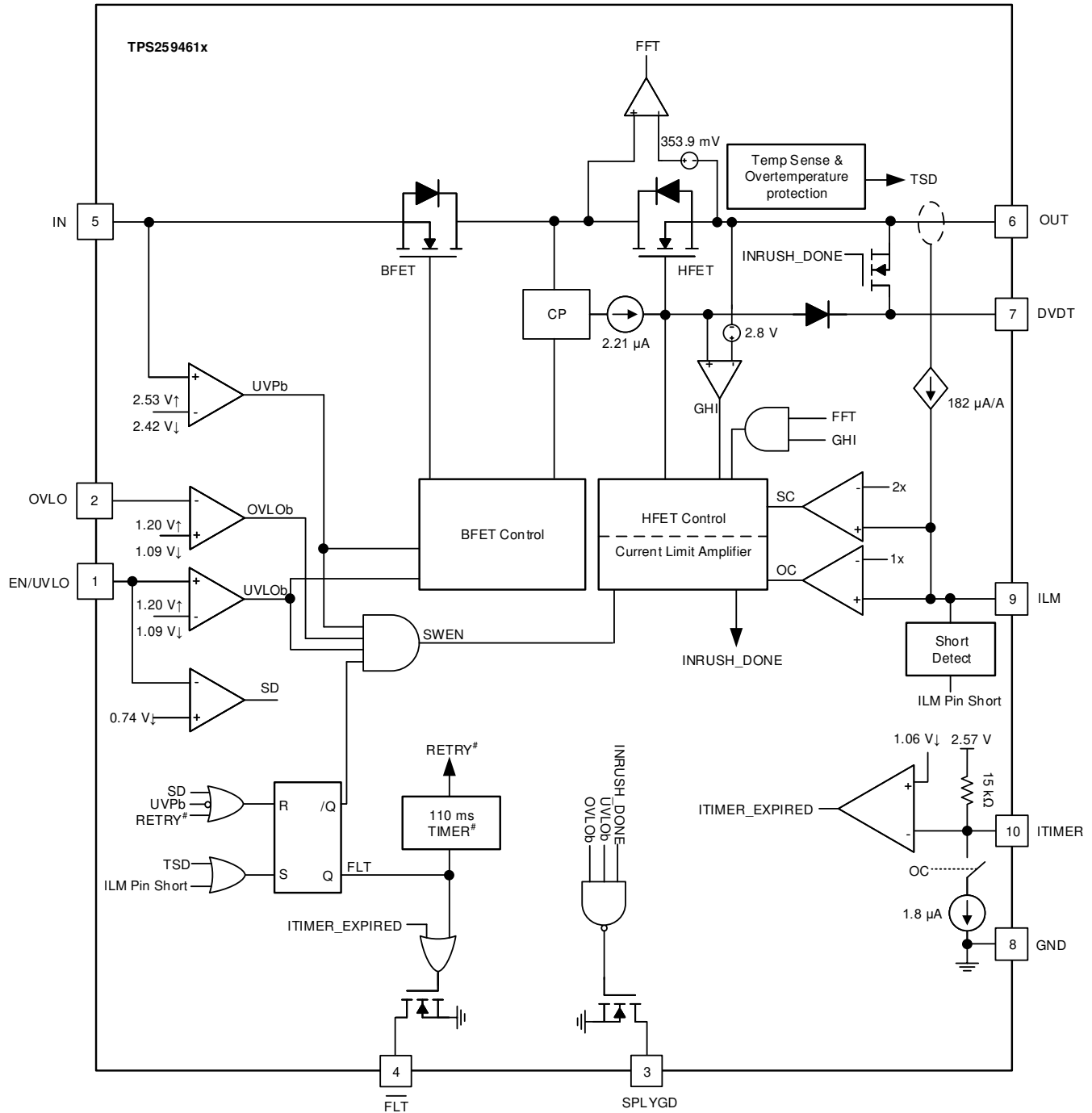


## 8.2 Functional Block Diagram



# Not applicable to Latch-off variants (TPS259460L)

**Figure 8-1. TPS25946x Block Diagram**



# Not applicable to Latch-off variants (TPS259461L)

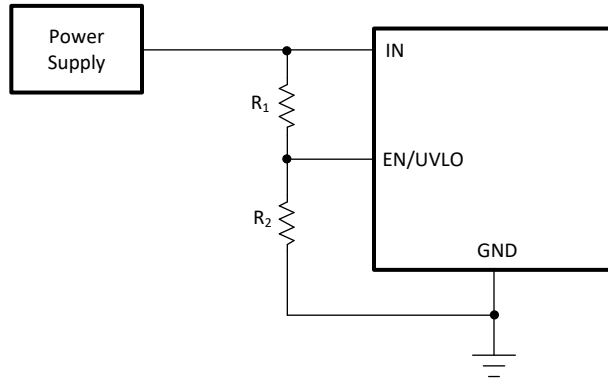
**Figure 8-2. TPS259461x Block Diagram**

### 8.3 Feature Description

The TPS25946xx eFuse is a compact, feature rich power management device that provides detection, protection and indication in the event of system faults.

#### 8.3.1 Undervoltage Lockout (UVLO and UVP)

The TPS25946xx implements Undervoltage Protection on IN in case the applied voltage becomes too low for the system or device to properly operate. The Undervoltage Protection has a default lockout threshold of  $V_{UVLP}$  which is fixed internally. Also, the UVLO comparator on the EN/UVLO pin allows the Undervoltage Protection threshold to be externally adjusted to a user defined value. The Figure 8-3 and Equation 1 show how a resistor divider can be used to set the UVLO set point for a given voltage supply.

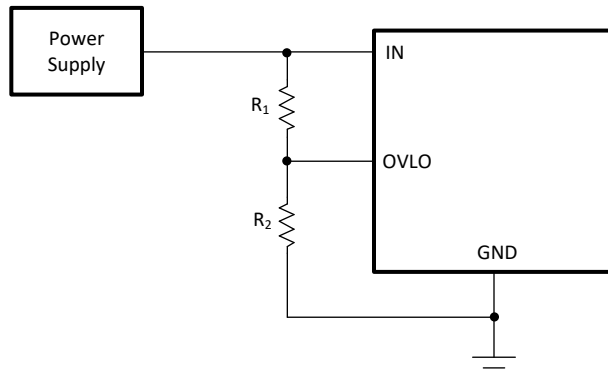


**Figure 8-3. Adjustable Undervoltage Protection**

$$V_{IN(UV)} = \frac{V_{UVLO} \times (R1 + R2)}{R2} \quad (1)$$

#### 8.3.2 Overvoltage Lockout (OVLO)

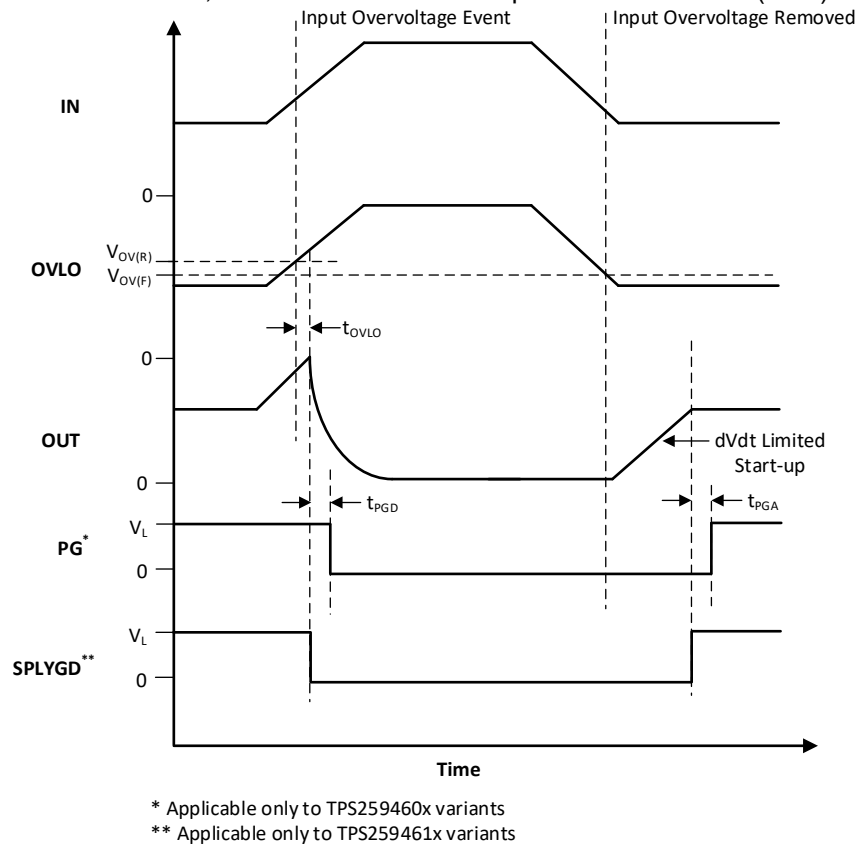
The TPS25946xx allows the user to implement Overvoltage Lockout to protect the load from input overvoltage conditions. The OVLO comparator on the OVLO pin allows the Overvoltage Protection threshold to be adjusted to a user defined value. After the voltage at the OVLO pin crosses the OVLO rising threshold  $V_{OV(R)}$ , the device turns off the power to the output. Thereafter, the devices wait for the voltage at the OVLO pin to fall below the OVLO falling threshold  $V_{OV(F)}$  before the output power is turned ON again. The rising and falling thresholds are slightly different to provide hysteresis. The Figure 8-4 and Equation 2 show how a resistor divider can be used to set the OVLO set point for a given voltage supply.



**Figure 8-4. Adjustable Overvoltage Protection**

$$V_{IN(OV)} = \frac{V_{OV} \times (R1 + R2)}{R2} \quad (2)$$

While recovering from a OVLO event, the TPS25946xx starts up with inrush control (dVdt).



**Figure 8-5. TPS25946xx Overvoltage Lockout and Recovery**

### 8.3.3 Inrush Current, Overcurrent, and Short-Circuit Protection

TPS25946xx incorporates four levels of protection against overcurrent in forward direction (IN to OUT):

1. Adjustable slew rate (dVdt) for inrush current control
2. Adjustable threshold ( $I_{LIM}$ ) for overcurrent protection during start-up or steady-state
3. Adjustable threshold ( $I_{SC}$ ) for fast-trip response to severe overcurrent during start-up or steady-state
4. Fixed threshold ( $I_{FT}$ ) for fast-trip response to quickly protect against hard output short-circuits during steady-state

#### 8.3.3.1 Slew Rate (dVdt) and Inrush Current Control

During hot-plug events or while trying to charge a large output capacitance at start-up, there can be a large inrush current. If the inrush current is not managed properly, it can damage the input connectors and/or cause the system power supply to droop leading to unexpected restarts elsewhere in the system. The inrush current during turn-on is directly proportional to the load capacitance and rising slew rate. Equation 3 can be used to find the slew rate (SR) required to limit the inrush current ( $I_{INRUSH}$ ) for a given load capacitance ( $C_{OUT}$ ):

$$SR (V/ms) = \frac{I_{INRUSH} (mA)}{C_{OUT} (\mu F)} \quad (3)$$

A capacitor can be connected to the dVdt pin to control the rising slew rate and lower the inrush current during turn-on. The required  $C_{dVdt}$  capacitance to produce a given slew rate can be calculated using Equation 4.

$$C_{dVdt} \text{ (pF)} = \frac{2000}{SR \text{ (V/ms)}} \quad (4)$$

The fastest output slew rate is achieved by leaving the dVdt pin open.

---

**Note**

For  $C_{dVdt} > 10 \text{ nF}$ , TI recommends to add a 100-Ω resistor in series with the capacitor on the dVdt pin.

---

### 8.3.3.2 Active Current Limiting

The TPS25946xx responds to output overcurrent conditions by actively limiting the current after a user adjustable transient fault blanking interval. When the load current exceeds the set overcurrent threshold ( $I_{LIM}$ ) set by the ILM pin resistor ( $R_{ILM}$ ), but stays lower than the short-circuit threshold ( $2 \times I_{LIM}$ ), the device starts discharging the ITIMER pin capacitor using an internal 1.8-μA pulldown current. If the load current drops below the overcurrent threshold before the ITIMER capacitor ( $C_{ITIMER}$ ) discharges by  $\Delta V_{ITIMER}$ , the ITIMER is reset by pulling it up to  $V_{INT}$  internally and the current limit action is not engaged. This allows short load transient pulses to pass through the device without getting current limited. If the overcurrent condition persists, the  $C_{ITIMER}$  continues to discharge and after it discharges by  $\Delta V_{ITIMER}$ , the current limit starts regulating the HFET to actively limit the current to the set overcurrent threshold ( $I_{LIM}$ ). At the same time, the  $C_{ITIMER}$  is charged up to  $V_{INT}$  again so that it is at its default state before the next overcurrent event. This ensures the full blanking timer interval is provided for every overcurrent event. Equation 5 can be used to calculate the  $R_{ILM}$  value for a desired overcurrent threshold.

$$R_{ILM} \text{ (}\Omega\text{)} = \frac{3334}{I_{LIM} \text{ (A)}} \quad (5)$$

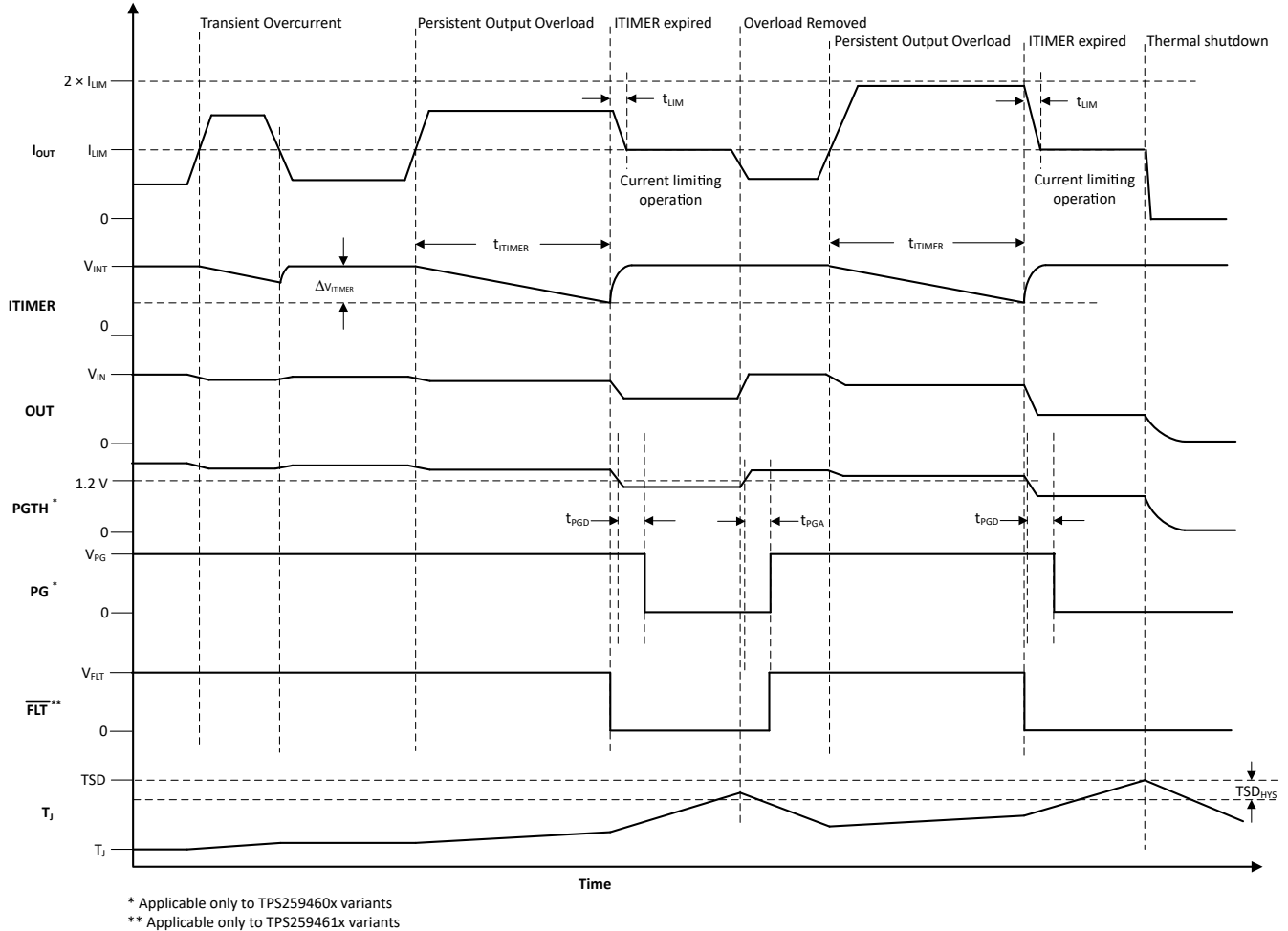
---

**Note**

1. The device offers overcurrent protection only in forward direction, that is from IN to OUT. There is no overcurrent protection from OUT to IN during ON state.
  2. Leaving the ILM pin Open sets the current limit to nearly zero and results in the part entering current limit with the slightest amount of loading at the output.
  3. The current limit circuit employs a foldback mechanism. The current limit threshold in the foldback region ( $0 \text{ V} < V_{OUT} < V_{FB}$ ) is lower than the steady state current limit threshold ( $I_{LIM}$ ).
  4. Shorting the ILM pin to ground at any point during normal operation is detected as a fault and the part shuts down. There is a minimum current ( $I_{FLT}$ ) which the part allows in this condition before the pin short condition is detected.
- 

The duration for which transients are allowed can be adjusted using an appropriate capacitor value from ITIMER pin to ground. The  $C_{ITIMER}$  value needed to set the desired transient overcurrent blanking interval can be calculated using Equation 6 below.

$$t_{ITIMER} \text{ (ms)} = \frac{\Delta V_{ITIMER} \text{ (V)} \times C_{ITIMER} \text{ (nF)}}{I_{ITIMER} \text{ (}\mu\text{A)}} \quad (6)$$



**Figure 8-6. TPS25946xx Active Current Limit Response**

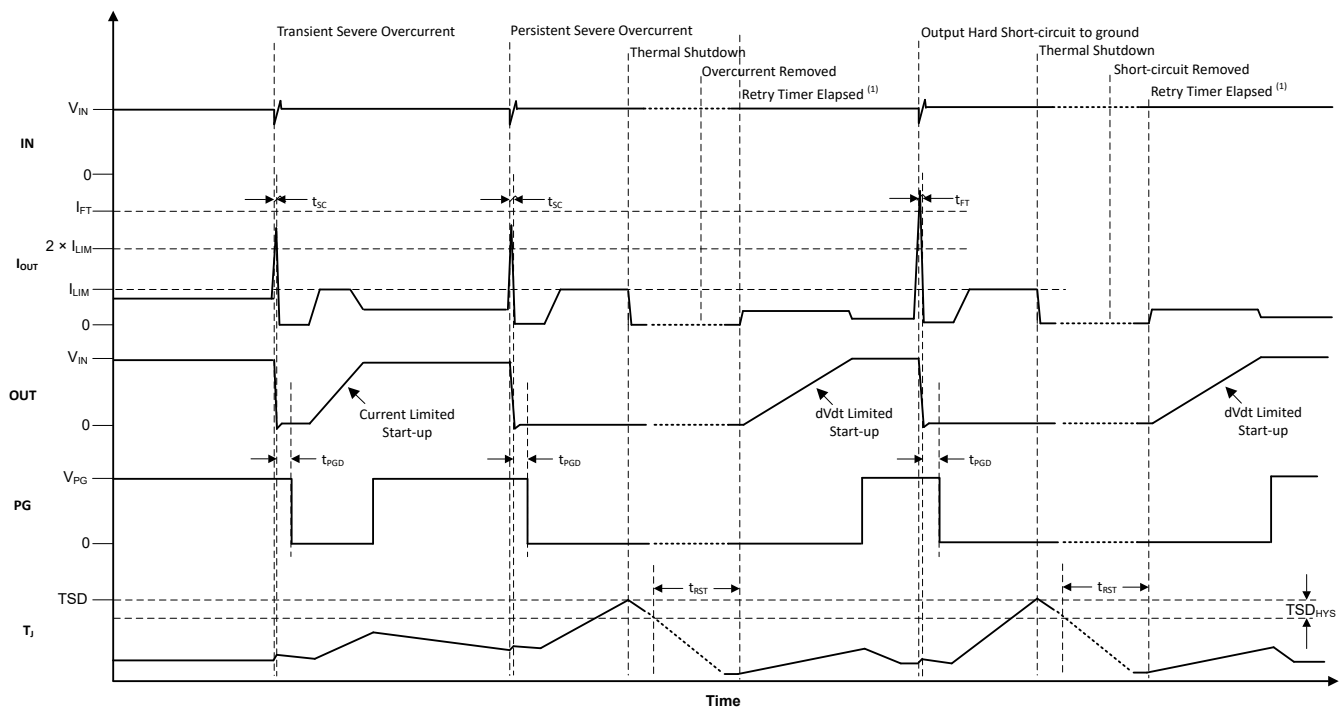
**Note**

1. Leave the ITIMER pin open to allow the part to limit the current with the minimum possible delay.
2. Shorting the ITIMER pin to ground results in minimum overcurrent response delay (similar to ITIMER pin open condition), but increases the device current consumption. This is not a recommended mode of operation.
3. Active current limiting based on  $R_{ILM}$  is active during start-up. In case the start-up current exceeds  $I_{LIM}$ , the device regulates the current to the set limit. However, during start-up the current limit is engaged without waiting for the ITIMER delay.
4. Increasing the  $C_{ITIMER}$  value extends the overcurrent blanking interval, but it also extends the time needed for the  $C_{ITIMER}$  to recharge up to  $V_{INT}$ . If the next overcurrent event occurs before the  $C_{ITIMER}$  is recharged fully, it takes less time to discharge to the ITIMER expiry threshold, thereby providing a shorter blanking interval than intended.

During active current limit, the output voltage drops resulting in increased device power dissipation across the HFET. If the device internal temperature ( $T_J$ ) exceeds the thermal shutdown threshold (TSD), the HFET is turned off. After the part shuts down due to TSD fault, it either stays latched off (TPS25946xL variants) or restarts automatically after a fixed delay (TPS25946xA variants). See [Overtemperature Protection \(OTP\)](#) for more details on device response to overtemperature.

### 8.3.3.3 Short-Circuit Protection

During an short-circuit event on OUT pin, the current from IN to OUT increases very rapidly. When a severe overcurrent condition is detected, the TPS25946xx triggers a fast-trip response to limit the current through the device to a safe level. The internal fast-trip comparator employs a scalable threshold ( $I_{SC}$ ) which is equal to  $2 \times I_{LIM}$ . This enables the user to adjust the fast-trip threshold rather than using a fixed threshold which can be too high for some low current systems. The device also employs a fixed fast-trip threshold ( $I_{FT}$ ) to protect fast protection against hard short-circuits during steady state. The fixed fast-trip threshold is higher than the maximum recommended user adjustable scalable fast-trip threshold. After the current exceeds  $I_{SC}$  or  $I_{FT}$ , the HFET is turned off completely within  $t_{FT}$ . Thereafter, the devices tries to turn the HFET back on after a short de-glitch interval (30  $\mu$ s) in a current limited manner instead of a dVdt limited manner. This ensures that the HFET has a faster recovery after a transient overcurrent event and minimizes the output voltage droop. However, if the fault is persistent, the device stays in current limit causing the junction temperature to rise and eventually enter thermal shutdown. See [Overtemperature Protection \(OTP\)](#) section for details on the device response to overtemperature.



<sup>(1)</sup> Applicable only to TPS259460A variants

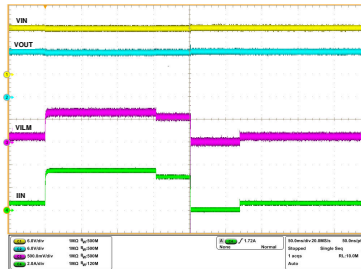
Figure 8-7. TPS25946xx Short-Circuit Response

### 8.3.4 Analog Load Current Monitor

The TPS25946xx allows the system to accurately monitor the load current by providing an analog current sense output on the ILM pin which is proportional to the current through the FET from IN to OUT. The user can sense the voltage ( $V_{ILM}$ ) across the  $R_{ILM}$  to get a measure of the output load current.

$$I_{OUT} (A) = \frac{V_{ILM} (\mu V)}{R_{ILM} (\Omega) \times G_{IMON} (\mu A/A)} \tag{7}$$

The waveform below shows the ILM signal response to a load step at the output.



$V_{IN} = 12\text{ V}$ ,  $C_{OUT} = 22\ \mu\text{F}$ ,  $R_{ILM} = 1150\ \Omega$ ,  $I_{OUT}$  varied dynamically between 0 A and 3.5 A

**Figure 8-8. Analog Load Current Monitor Response**

#### Note

1. The ILM pin is sensitive to capacitive loading. Careful design and layout is needed to ensure the parasitic capacitive loading on the ILM pin is < 50 pF for stable operation.
2. The ILM pin can only report the current flowing from IN to OUT and not from OUT to IN.

### 8.3.5 Reverse Current Protection

The TPS25946xx has integrated back-to-back MOSFETs connected in a common drain configuration. When the device is in powered down or disabled state, both the FETs are turned OFF, thereby blocking the current flow in forward as well as reverse direction.

### 8.3.6 Overtemperature Protection (OTP)

The TPS25946xx monitors the internal die temperature ( $T_J$ ) at all times and shuts down the part as soon as the temperature exceeds a safe operating level (TSD), thereby protecting the device from damage. The device does not turn back on until the junction cools down sufficiently, that is the die temperature falls below ( $TSD - TSD_{HYS}$ ).

When the TPS25946xL (latch-off variant) detects thermal overload, it is shut down and remain latched-off until the device is power cycled or re-enabled. When the TPS25946xA (auto-retry variant) detects thermal overload, it remains off until it has cooled down by  $TSD_{HYS}$ . Thereafter, the device remains off for an additional delay of  $t_{RST}$  after which it automatically retries to turn on if it is still enabled.

**Table 8-1. Thermal Shutdown**

| DEVICE                  | ENTER TSD      | EXIT TSD   |
|-------------------------|----------------|--|
| TPS25946xL (Latch-Off)  | $T_J \geq TSD$ | $T_J < TSD - TSD_{HYS}$<br>$V_{IN}$ cycled to 0 V and then above $V_{UVP(R)}$ OR<br>EN/UVLO toggled below $V_{SD(F)}$                            |
| TPS25946xA (Auto-Retry) | $T_J \geq TSD$ | $T_J < TSD - TSD_{HYS}$<br>$V_{IN}$ cycled to 0 V and then above $V_{UVP(R)}$ OR<br>EN/UVLO toggled below $V_{SD(F)}$ OR $t_{RST}$ timer expired |



### 8.3.7 Fault Response and Indication ( $\overline{\text{FLT}}$ )

The following table summarizes the device response to various fault conditions. Additionally, an active low external fault indication ( $\overline{\text{FLT}}$ ) pin is available on the TPS259461x variants.

**Table 8-2. Fault Summary**

| Event   | Protection Response                       | Fault Latched Internally | FLT Pin Status <sup>(1)</sup> | FLT Assertion Delay <sup>(1)</sup> |
|---|---|--------------------------|-------------------------------|------------------------------------|
| Overtemperature   | Shutdown                                  | Y                        | L                             |                                    |
| Undervoltage (UVP or UVLO)  | Shutdown                                  | N                        | H                             |                                    |
| Input Overvoltage   | Shutdown                                  | N                        | H                             |                                    |
| Transient Overcurrent ( $I_{\text{LIM}} < I_{\text{OUT}} < 2 \times I_{\text{LIM}}$ ) | None                                      | N                        | H                             |                                    |
| Persistent Overcurrent in Forward Direction (IN to OUT)                               | Current Limit                             | N                        | L                             | $t_{\text{TIMER}}$                 |
| OUT Pin Short-Circuit to GND  | Circuit Breaker followed by Current Limit | N                        | H                             |                                    |
| ILM Pin Open (During Steady State)  | Shutdown                                  | N                        | L                             | $t_{\text{TIMER}}$                 |
| ILM Pin Shorted to GND  | Shutdown                                  | Y                        | L                             | $t_{\text{TIMER}}$                 |

(1) Applicable to TPS259461x variants only.

Faults which are latched internally can be cleared either by power cycling the part (pulling  $V_{\text{IN}}$  to 0 V) or by pulling the EN/UVLO pin voltage below  $V_{\text{SD}}$ . This also resets the  $t_{\text{RST}}$  timer for the TPS25946xA (auto-retry) variants.

During a latched fault, pulling the EN/UVLO just below the UVLO threshold has no impact on the device. This is true for both TPS25946xL (latch-off) and TPS25946xA (auto-retry) variants.

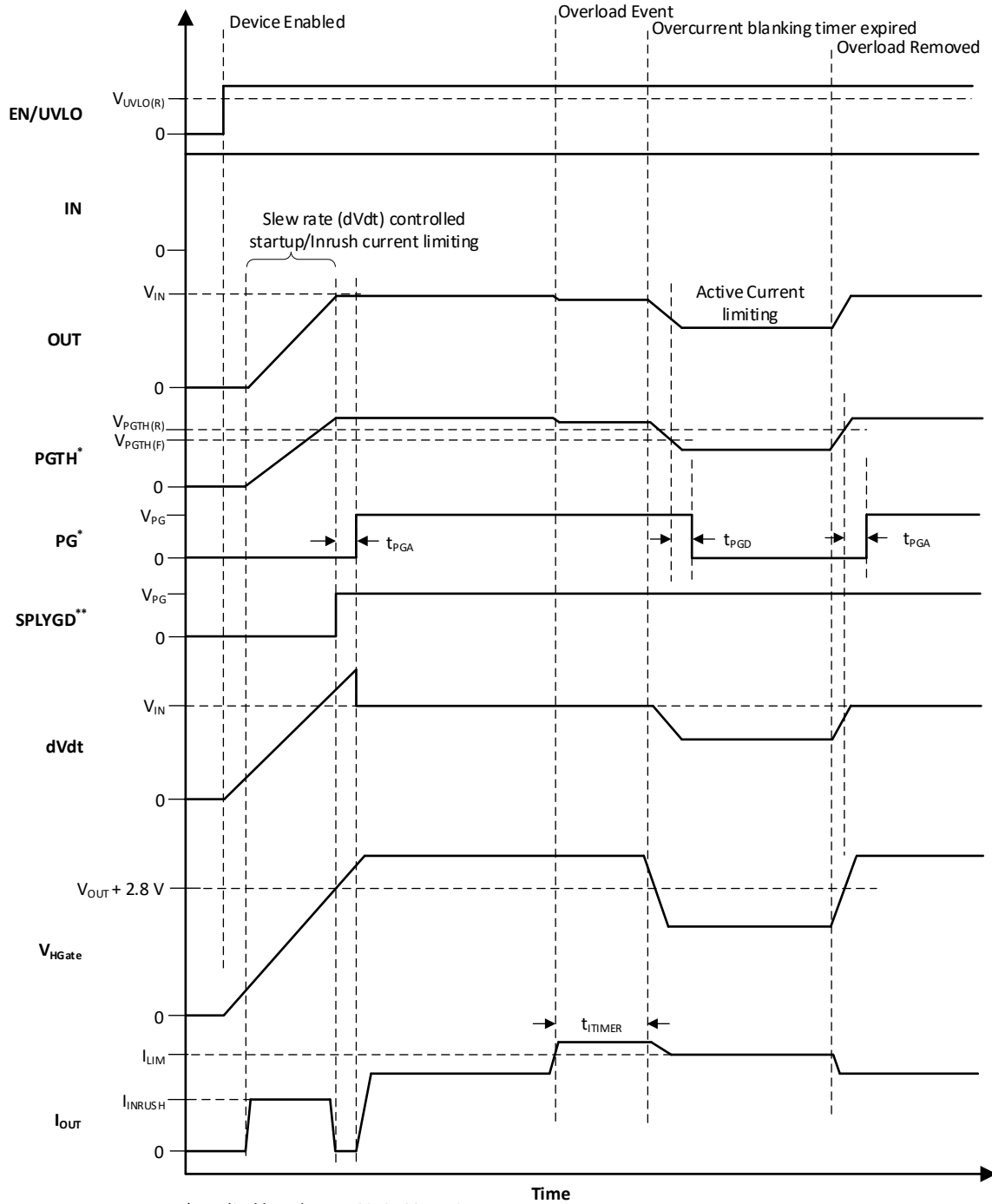
The TPS25946xA (auto-retry) variants restart automatically on expiry of the  $t_{\text{RST}}$  timer after a fault.

### 8.3.8 Power Good Indication (PG)

The TPS259460x variants provide an active high digital output (PG) which serves as a power good indication signal and is asserted high depending on the voltage at the PGTH pin along with the device state information. The PG is an open-drain pin and must be pulled up to an external supply.

After power up, PG is pulled low initially. The device initiates a inrush sequence in which the HFET is turned on in a controlled manner. When the HFET gate voltage reaches the full overdrive indicating that the inrush sequence is complete and the voltage at PGTH is above  $V_{\text{PGTH(R)}}$ , the PG is asserted after a de-glitch time ( $t_{\text{PGA}}$ ).

PG is de-asserted if at any time during normal operation, the voltage at PGTH falls below  $V_{\text{PGTH(F)}}$  or the device detects a fault (except overcurrent). The PG de-assertion de-glitch time is  $t_{\text{PGD}}$ .



\* Applicable only to TPS259460x variants  
 \*\* Applicable only to TPS259461x variants

**Figure 8-9. TPS259460x PG Timing Diagram**

**Table 8-3. TPS259460x PG Indication Summary**

| Event  | Protection Response                 | PG Pin Status  | PG Delay               |
|--|-------------------------------------|--|------------------------|
| Undervoltage (UVP or UVLO)                           | Shutdown                            | L  |                        |
| Overvoltage (OVLO)                                   | Shutdown                            | L (If PGTH pin voltage < $V_{PGTH(F)}$ )   | $t_{PGD}$              |
| Steady State   | NA                                  | H (If PGTH pin voltage > $V_{PGTH(R)}$ )<br>L (If PGTH pin voltage < $V_{PGTH(F)}$ ) | $t_{PGA}$<br>$t_{PGD}$ |
| Transient overcurrent                                | NA                                  | H (If PGTH pin voltage > $V_{PGTH(R)}$ )<br>L (If PGTH pin voltage < $V_{PGTH(F)}$ ) | $t_{PGA}$<br>$t_{PGD}$ |
| Persistent overload in forward direction (IN to OUT) | Current Limiting                    | H (If PGTH pin voltage > $V_{PGTH(R)}$ )<br>L (If PGTH pin voltage < $V_{PGTH(F)}$ ) | $t_{PGA}$<br>$t_{PGD}$ |
| OUT Pin Short-Circuit to GND                         | Fast-trip followed by Current Limit | H (If PGTH pin voltage > $V_{PGTH(R)}$ )<br>L (If PGTH pin voltage < $V_{PGTH(F)}$ ) | $t_{PGA}$<br>$t_{PGD}$ |
| ILM Pin Open   | Shutdown                            | L (If PGTH pin voltage < $V_{PGTH(F)}$ )   | $t_{PGD}$              |
| ILM Pin Shorted to GND                               | Shutdown                            | L (If PGTH pin voltage < $V_{PGTH(F)}$ )   | $t_{PGD}$              |
| Overtemperature                                      | Shutdown                            | L  |                        |

When there is no supply to the device, the PG pin is expected to stay low. However, there is no active pulldown in this condition to drive this pin all the way down to 0 V. If the PG pin is pulled up to an independent supply which is present even if the device is unpowered, there can be a small voltage seen on this pin depending on the pin sink current, which is a function of the pullup supply voltage and resistor. Minimize the sink current to keep this pin voltage low enough not to be detected as a logic HIGH by associated external circuits in this condition.

### 8.3.9 Input Supply Good Indication (SPLYGD)

The TPS259461x variants provide an active high digital output (SPLYGD) which is asserted to indicate when the input supply is in a valid range (above UVP/UVLO and below OVLO thresholds) and the device has successfully completed its inrush sequence. This pin can be used as a supply valid status indication to the downstream load or system supervisor.

The SPLYGD pin is an open-drain signal which must be pulled up to an external supply.

After power up, SPLYGD pin is pulled low initially. The device initiates a inrush sequence in which the HFET is turned on in a controlled manner. When the FET gate voltage has reached the full overdrive indicating that the inrush sequence is complete and device is capable of delivering full power, the SPLYGD pin is asserted high. Thereafter, the SPLYGD pin is de-asserted only if the input supply becomes invalid (below UVP/UVLO or above OVLO thresholds). No load side events/faults have any control over the SPLYGD de-assertion.

**Table 8-4. TPS259461x SPLYGD Indication Summary**

| Event                        | SPLYGD Pin |
|------------------------------|------------|
| Undervoltage (UVP or UVLO)   | L          |
| Overvoltage (OVLO)           | L          |
| Inrush                       | L          |
| Steady State                 | H          |
| Overcurrent                  | H          |
| OUT Pin Short-Circuit to GND | H          |
| ILM Pin Open                 | H          |
| ILM Pin Shorted to GND       | H          |
| Overtemperature              | H          |

When there is no supply to the device, the SPLYGD pin is expected to stay low. However, there is no active pulldown in this condition to drive this pin all the way down to 0 V. If the SPLYGD pin is pulled up to an independent supply which is present even if the device is unpowered, there can be a small voltage seen on this pin depending on the pin sink current, which is a function of the pullup supply voltage and resistor. Minimize the sink current to keep this pin voltage low enough not to be detected as a logic HIGH by associated external circuits in this condition.

#### 8.4 Device Functional Modes

The device has one mode of operation that applies when operated within the Recommended Operating Conditions.

## 9 Application and Implementation

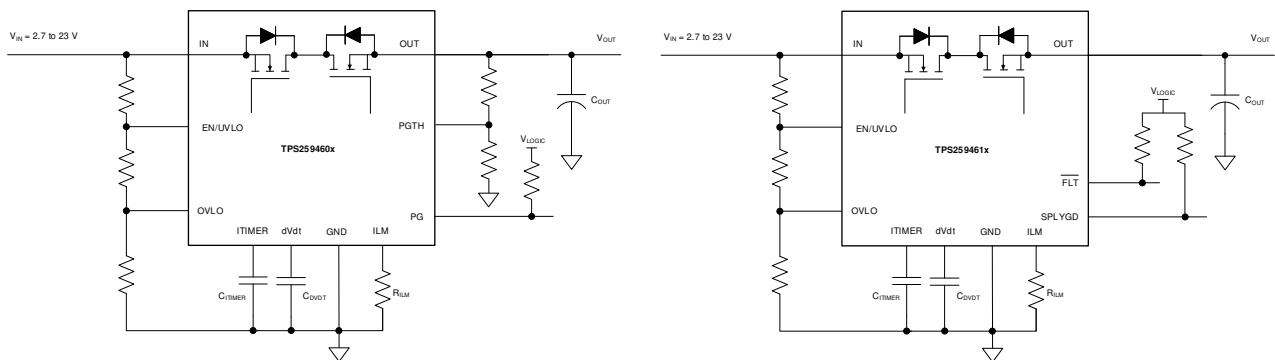
### Note

Information in the following applications sections is not part of the TI component specification, and TI does not warrant its accuracy or completeness. TI's customers are responsible for determining suitability of components for their purposes, as well as validating and testing their design implementation to confirm system functionality.

### 9.1 Application Information

The TPS25946xx is a 2.7-V to 23-V, 5.5-A eFuse that is typically used for power rail protection applications. The device operates from 2.7 V to 23 V with adjustable overvoltage and undervoltage protection. The device provides ability to control inrush current and bidirectional current flow when enabled. The device can be used in a variety of applications such as smartphones, tablets, digital cameras, point of sales terminals, USB On-The-Go (OTG) enabled devices, wireless chargers, and so forth. The design procedure explained in the subsequent sections can be used to select the supporting component values based on the application requirement. Additionally, a spreadsheet design tool, [TPS25946xx Design Calculator](#), is available in the web product folder.

#### 9.1.1 Single Device, Self-Controlled



**Figure 9-1. Single Device, Self-Controlled**

#### Other Variations:

In a Host MCU controlled system, EN/UVLO or OVLO can also be driven from the host GPIO to control the device.

ILM pin can be connected to the MCU ADC input for current monitoring purpose.

### Note

TI recommends to keep parasitic capacitance on ILM pin below 50 pF to ensure stable operation.

For TPS259460x variants, either  $V_{IN}$  or  $V_{OUT}$  can be used to drive the PGTH resistor divider depending on which supply must be monitored for power good indication.

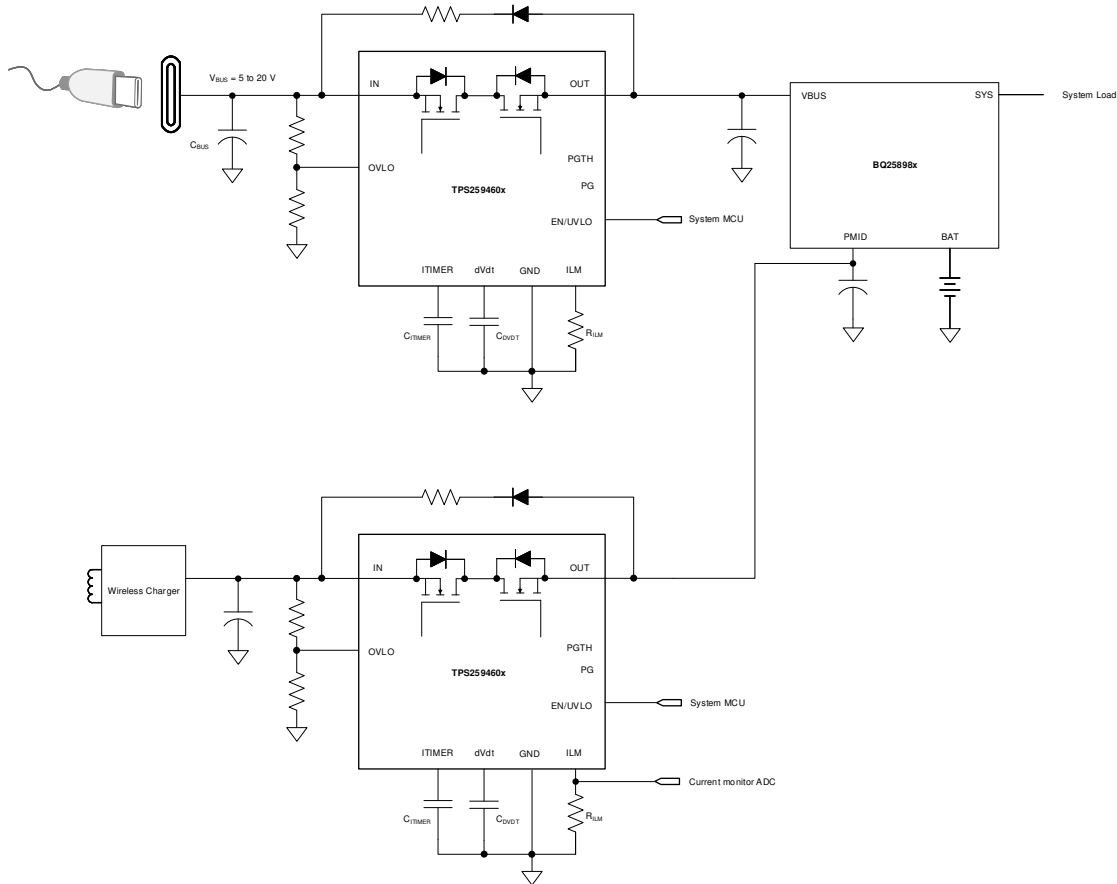
### 9.2 Typical Application

Smartphones come equipped with USB OTG functionality that allows their USB port to be used not only for charging the phone battery but also allow the smartphone to act as a USB host and deliver power to external accessories such as headphones, pen drives, and so forth. Some smartphones also support a wireless charging path which can also be used to wirelessly share power to other devices. TPS25946xx can be used as a bi-directional power switch in such applications as shown in [Figure 9-2](#).

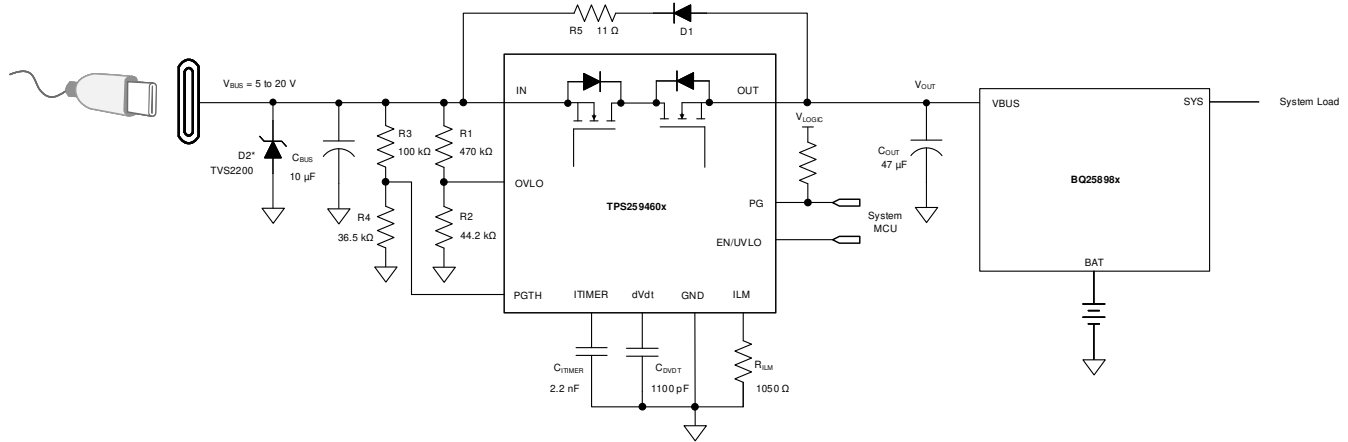
For the USB power path, when an external charger is connected at the port, TPS25946xx provides a conduction path from IN pin to OUT pin and the battery charger IC is configured to charge the battery and also power the

internal circuits. TPS25946xx also provides overvoltage and overcurrent protection in this case. In another use case scenario where an accessory such as headphone is connected to the USB port, the phone MCU detects this and the battery charger is configured in OTG boost mode to provide power from battery to the USB port. In this case, the TPS25946xx also needs to be turned on to establish the power path from OUT to IN. Before that, there must be a minimum voltage ( $V_{UVP(R)}$ ) available at the IN pin. An series diode and resistor is added in parallel to the device to provide this initial bias voltage. Once MCU detects that the accessory is connected, it enables the TPS25946xx and establishes a low impedance power path capable of delivering high power to the accessory.

Similarly, the TPS25946xx also provides controlled bi-directional power flow in the wireless charging and power share sub-system.



**Figure 9-2. Smartphone Power Path Example**



\* Optional circuit components needed for transient protection. Please refer to [Transient Protection](#) section for details.

Figure 9-3. USB On-The-Go Port Protection Design Example

## 9.2.1 Design Requirements

Table 9-1. Design Parameters

| PARAMETER   | VALUE      |
|---|------------|
| Bus voltage during charging ( $V_{IN}$ )                                | 9 V        |
| Overvoltage protection threshold during charging ( $V_{IN(OV)}$ )       | 14 V       |
| Bus power good threshold ( $V_{PG}$ )                                   | 4.5 V      |
| Max continuous charging current   | 3 A        |
| Load transient blanking interval during charging ( $t_{ITIMER}$ )       | 2 ms       |
| Output capacitance ( $C_{OUT}$ )  | 47 µF      |
| Output rise time ( $t_R$ )  | 5 ms       |
| Overcurrent threshold ( $I_{LIM}$ ) during charging                     | 3.25 A     |
| Start-up load current supported during USB OTG operation ( $I_{LOAD}$ ) | 100 mA     |
| Fault response  | Auto-retry |

## 9.2.2 Detailed Design Procedure

### 9.2.2.1 Device Selection

TPS259460A variant is selected after referring to the [Device Comparison Table](#).

### 9.2.2.2 Setting Overvoltage Threshold

The supply overvoltage threshold is set using the resistors, R1 and R2, whose values can be calculated using [Equation 8](#):

$$V_{IN(OV)} = \frac{V_{OV(R)} \times (R1 + R2)}{R2} \quad (8)$$

Where  $V_{OV(R)}$  is the OVLO rising threshold. Because R1, R2 leak the current from input supply  $V_{IN}$ , these resistors must be selected based on the acceptable leakage current from input power supply  $V_{IN}$ . The current drawn by R1, R2 from the power supply is  $I_{R12} = V_{IN} / (R1 + R2)$ . However, leakage currents due to external active components connected to the resistor string can add error to these calculations. So, the resistor string current,  $I_{R12}$ , must be chosen to be 20 times greater than the leakage current expected on the OVLO pin.

From the device electrical specifications, OVLO leakage current is 0.1  $\mu\text{A}$  (maximum),  $V_{\text{OV(R)}} = 1.2\text{ V}$ . From design requirements,  $V_{\text{IN(OV)}} = 14\text{ V}$ . To solve the equation, first choose the value of  $R_1 = 470\text{ k}\Omega$  and use the above equation to solve for  $R_2 = 44.06\text{ k}\Omega$ .

Using the closest standard 1% resistor values, we get  $R_1 = 470\text{ k}\Omega$ ,  $R_2 = 44.2\text{ k}\Omega$ .

### 9.2.2.3 Setting Output Voltage Rise Time ( $t_R$ )

For a successful design, the junction temperature of device must be kept below the absolute maximum rating during both dynamic (start-up) and steady-state conditions. Dynamic power stresses often are an order of magnitude greater than the static stresses, so it is important to determine the right start-up time and inrush current limit required with system capacitance to avoid thermal shutdown during start-up.

The slew rate (SR) needed to achieve the desired output rise time can be calculated as:

$$\text{SR (V/ms)} = \frac{V_{\text{IN}} (\text{V})}{t_{\text{R}} (\text{ms})} = \frac{9\text{ V}}{5\text{ ms}} = 1.8\text{ V/ms} \quad (9)$$

The  $C_{\text{dVdt}}$  needed to achieve this slew rate can be calculated as:

$$C_{\text{dVdt}} (\text{pF}) = \frac{2000}{\text{SR (V/ms)}} = \frac{2000}{1.8} = 1111\text{ pF} \quad (10)$$

Choose the nearest standard capacitor value as 1100 pF.

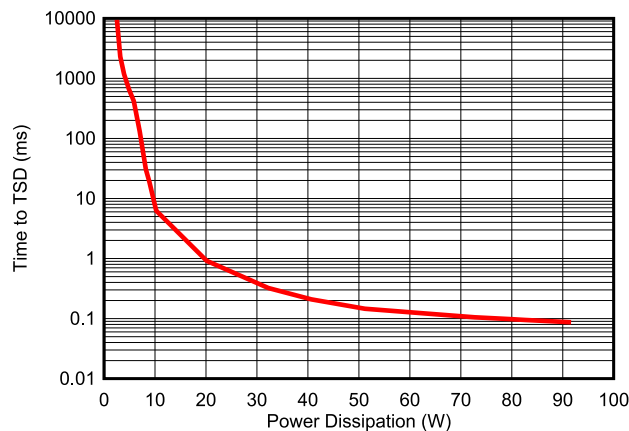
For this slew rate, the inrush current can be calculated as:

$$I_{\text{INRUSH}} (\text{mA}) = \text{SR (V/ms)} \times C_{\text{OUT}} (\mu\text{F}) = 1.8 \times 47 = 84.6\text{ mA} \quad (11)$$

The average power dissipation inside the part during inrush can be calculated as:

$$\text{PD}_{\text{INRUSH}} (\text{W}) = \frac{I_{\text{INRUSH}} (\text{A}) \times V_{\text{IN}} (\text{V})}{2} = \frac{0.085 \times 9}{2} = 0.38\text{ W} \quad (12)$$

For the given power dissipation, the thermal shutdown time of the device must be greater than the ramp-up time  $t_R$  to avoid start-up failure. Figure 9-4 shows the thermal shutdown limit, for 0.38 W of power, the shutdown time is over 100 ms which is very large as compared to  $t_R = 5\text{ ms}$ . Therefore, it is safe to use 5 ms as the start-up time for this application.



**Figure 9-4. Thermal Shutdown Plot During Inrush**



### 9.2.2.4 Setting Power Good Assertion Threshold

The Power Good assertion threshold can be set using the resistors R3 and R4 connected to the PGTH pin whose values can be calculated as:

$$V_{PG} = \frac{V_{PGTH(R)} \times (R3 + R4)}{R4} \quad (13)$$

Because R3 and R4 leak the current from the output rail  $V_{OUT}$ , these resistors must be selected to minimize the leakage current. The current drawn by R3 and R4 from the power supply is  $I_{R34} = V_{OUT} / (R3 + R4)$ . However, leakage currents due to external active components connected to the resistor string can add error to these calculations. So, the resistor string current,  $I_{R34}$ , must be chosen to be 20 times greater than the PGTH leakage current expected. From the device electrical specifications, PGTH leakage current is 1  $\mu$ A (maximum),  $V_{PGTH(R)} = 1.2$  V and from design requirements,  $V_{PG} = 4.5$  V. To solve the equation, first choose the value of R3 = 100 k $\Omega$  and calculate R4 = 36.4 k $\Omega$ . Choose nearest 1% standard resistor value as R4 = 36.5 k $\Omega$ .

### 9.2.2.5 Setting Overcurrent Threshold ( $I_{LIM}$ )

The overcurrent protection (Circuit Breaker) threshold can be set using the  $R_{ILM}$  resistor whose value can be calculated as:

$$R_{ILM} (\Omega) = \frac{3334}{I_{LIM} (A)} = \frac{3334}{3.25 A} = 1025.8 \Omega \quad (14)$$

Choose nearest 1% standard resistor value as 1050  $\Omega$ .

### 9.2.2.6 Setting Overcurrent Blanking Interval ( $t_{TIMER}$ )

The overcurrent blanking timer interval can be set using the  $C_{TIMER}$  capacitor whose value can be calculated as:

$$C_{TIMER} (nF) = \frac{t_{TIMER} (ms) \times I_{TIMER} (\mu A)}{\Delta V_{TIMER} (V)} = \frac{2 \times 1.8}{1.51} = 2.38 nF \quad (15)$$

Choose nearest standard capacitor value as 2.2 nF.

### 9.2.2.7 Selecting External Bias Resistor (R5)

During OTG mode of operation, initially the TPS259460A is in OFF state. The initial bias voltage at the USB bus provided by external diode (D1) and resistor (R5) can be calculated as:

$$V_{BUS} (V) = V_{OUT} (V) - V_F (V) - I_{LOAD} (A) \times R5 (\Omega)$$

Where

$V_{OUT}$  = Voltage at OUT pin provided by the charger IC in OTG boost mode

$V_F$  = diode forward voltage drop

$I_{LOAD}$  = current drawn by USB powered peripheral initially

The bus voltage must be greater than  $V_{UVP(R)}$  to ensure the TPS259460A can turn on and start delivering the full load current demanded by the USB peripheral. Putting the value of  $V_F = 0.4$  V,  $V_{OUT}$  (minimum) = 4.5 V,  $V_{UVP(R)} = 2.53$  V,  $I_{LOAD} = 100$  mA gives maximum value of R5 = 15.7  $\Omega$ . Choose value as 11  $\Omega$ .

Initial power dissipation across R5 can be calculated as:

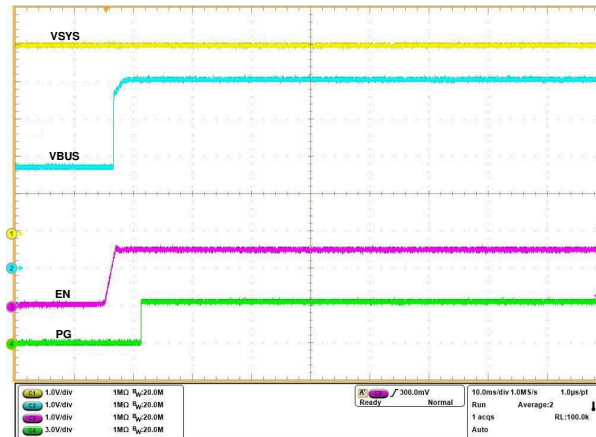
$$PD (W) = I_{LOAD} (A) \times I_{LOAD} (A) \times R5 (\Omega)$$

For  $I_{LOAD} = 100$  mA and R5 = 11  $\Omega$ , the power dissipation in the resistor is 0.11 W. Choose a resistor with power rating higher than this value for safe operation. A 0.25-W resistor must be suitable for this application.

### 9.2.2.8 Selecting External Diode (D1)

1. Diode must have low forward voltage drop ( $V_F$ ) to give more headroom to voltage at IN pin above  $V_{UVP}(R)$ .
2. Diode must be able to support initial load current required by USB peripheral.
3. Diode must have small footprint.

### 9.2.3 Application Curve



**Figure 9-5. Power Up in OTG Mode**

## 10 Power Supply Recommendations

The TPS25946xx devices are designed for a supply voltage range of  $2.7\text{ V} \leq V_{\text{IN}} \leq 23\text{ V}$ . TI recommends an input ceramic bypass capacitor higher than  $0.1\text{ }\mu\text{F}$  if the input supply is located more than a few inches from the device. The power supply must be rated higher than the set current limit to avoid voltage droops during overcurrent and short-circuit conditions.

### 10.1 Transient Protection

In the case of a short-circuit and overload current limit when the device interrupts current flow, the input inductance generates a positive voltage spike on the input, and the output inductance generates a negative voltage spike on the output. The peak amplitude of voltage spikes (transients) is dependent on the value of inductance in series to the input or output of the device. Such transients can exceed the absolute maximum ratings of the device if steps are not taken to address the issue. Typical methods for addressing transients include:

- Minimize lead length and inductance into and out of the device.
- Use a large PCB GND plane.
- Connect a Schottky diode from the OUT pin ground to absorb negative spikes.
- Connect a low ESR capacitor larger than  $1\text{ }\mu\text{F}$  at the OUT pin very close to the device.
- Use a low-value ceramic capacitor  $C_{\text{IN}} = 1\text{ }\mu\text{F}$  to absorb the energy and dampen the transients. The capacitor voltage rating must be at least twice the input supply voltage to be able to withstand the positive voltage excursion during inductive ringing.

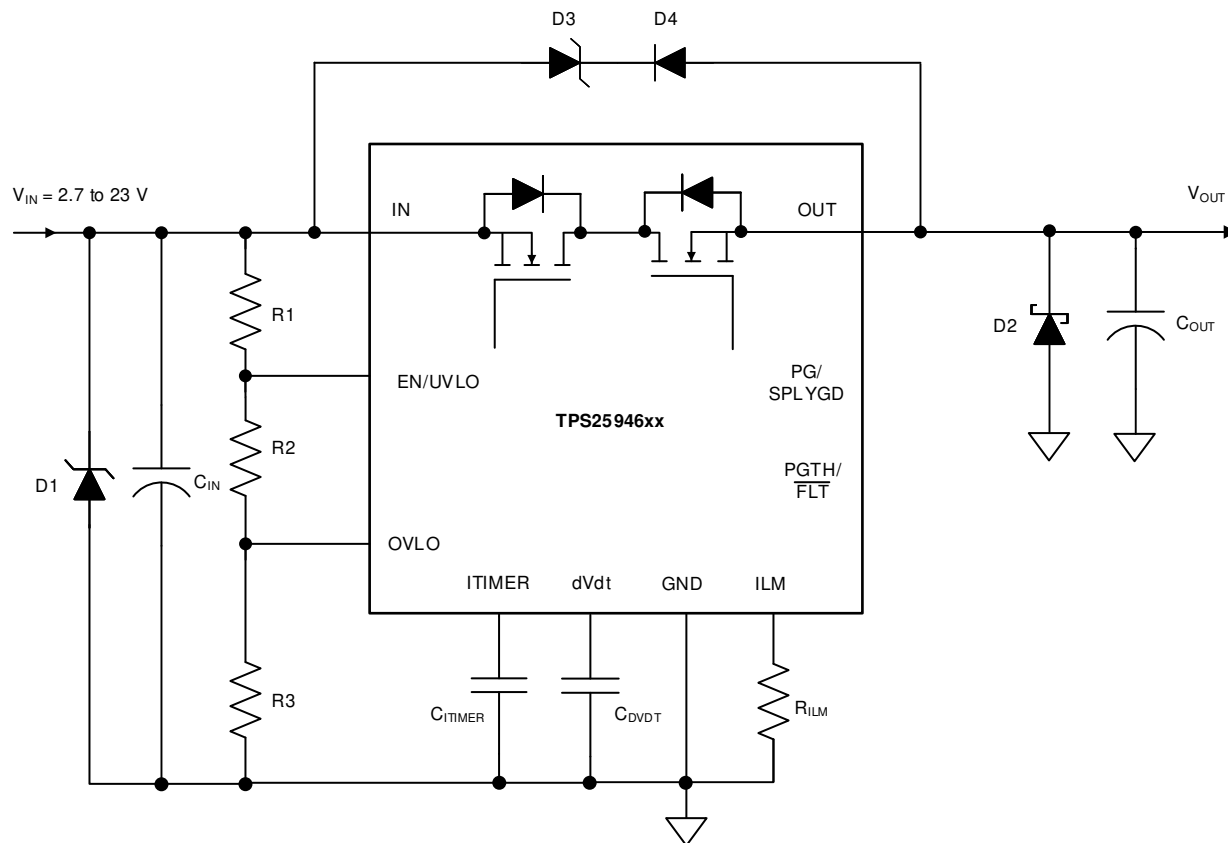
The approximate value of input capacitance can be estimated with [Equation 16](#):

$$V_{\text{SPIKE (Absolute)}} = V_{\text{IN}} + I_{\text{LOAD}} \times \sqrt{\frac{L_{\text{IN}}}{C_{\text{IN}}}} \quad (16)$$

where

- $V_{\text{IN}}$  is the nominal supply voltage.
- $I_{\text{LOAD}}$  is the load current.
- $L_{\text{IN}}$  equals the effective inductance seen looking into the source.
- $C_{\text{IN}}$  is the capacitance present at the input.
- Some applications may require the addition of a Transient Voltage Suppressor (TVS) to prevent transients from exceeding the absolute maximum ratings of the device. In some cases, even if the maximum amplitude of the transients is below the absolute maximum rating of the device, a TVS can help to absorb the excessive energy dump and prevent it from creating very fast transient voltages on the input supply pin of the IC, which can couple to the internal control circuits and cause unexpected behavior.
- For applications such as USB-C ports where a powered cable can be plugged to the output of the device, there can be excess voltage stress from OUT to IN which exceeds the absolute maximum rating of the device. TI recommends to add a TVS diode from OUT to IN to clamp the voltage to a safe level.

The circuit implementation with optional protection components is shown in [Figure 10-1](#).



**Figure 10-1. Circuit Implementation with Optional Protection Components**

## 10.2 Output Short-Circuit Measurements

It is difficult to obtain repeatable and similar short-circuit testing results. The following contribute to variation in results:

- Source bypassing
- Input leads
- Circuit layout
- Component selection
- Output shorting method
- Relative location of the short
- Instrumentation

The actual short exhibits a certain degree of randomness because it microscopically bounces and arcs. Ensure that configuration and methods are used to obtain realistic results. Do not expect to see waveforms exactly like those in this data sheet because every setup is different.

## 11 Layout

### 11.1 Layout Guidelines

- For all applications, TI recommends a ceramic decoupling capacitor of 0.1  $\mu\text{F}$  or greater between the IN terminal and GND terminal.
- The optimal placement of the decoupling capacitor is closest to the IN and GND terminals of the device. Care must be taken to minimize the loop area formed by the bypass-capacitor connection, the IN terminal, and the GND terminal of the IC.
- High current-carrying power-path connections must be as short as possible and must be sized to carry at least twice the full-load current.
- The GND terminal must be tied to the PCB ground plane at the terminal of the IC with the shortest possible trace. The PCB ground must be a copper plane or island on the board. TI recommends to have a separate ground plane island for the eFuse. This plane doesn't carry any high currents and serves as a quiet ground reference for all the critical analog signals of the eFuse. The device ground plane must be connected to the system power ground plane using a star connection.
- The IN and OUT pins are used for heat dissipation. Connect to as much copper area on top and bottom PCB layers using as possible. Adding thermal vias on the under the device further helps to minimize the voltage gradient across the IN and OUT pads and distribute current uniformly through the device, which improves the on-resistance and current sense accuracy.
- Locate the following support components close to their connection pins:
  - $R_{\text{ILM}}$
  - $C_{\text{dVdt}}$
  - $C_{\text{TIMER}}$
  - Resistors for the EN/UVLO, OVLO and PGTH pins
- Connect the other end of the component to the GND pin of the device with shortest trace length. The trace routing for the  $R_{\text{ILM}}$ ,  $C_{\text{TIMER}}$  and  $C_{\text{dVdt}}$  components to the device must be as short as possible to reduce parasitic effects on the current limit, overcurrent blanking interval and soft start timing. TI recommends to keep parasitic capacitance on ILM pin below 50 pF to ensure stable operation. These traces must not have any coupling to switching signals on the board.
- Because the bias current on ILM pin directly controls the overcurrent protection behavior of the device, the PCB routing of this node must be kept away from any noisy (switching) signals.
- Protection devices such as TVS, snubbers, capacitors, or diodes must be placed physically close to the device they are intended to protect. These protection devices must be routed with short traces to reduce inductance. For example, a protection Schottky diode is recommended to address negative transients due to switching of inductive loads. TI also recommends to add a ceramic decoupling capacitor of 1  $\mu\text{F}$  or greater between OUT and GND. These components must be physically close to the OUT pins. Care must be taken to minimize the loop area formed by the Schottky diode/bypass-capacitor connection, the OUT pin and the GND terminal of the IC.

## 11.2 Layout Example

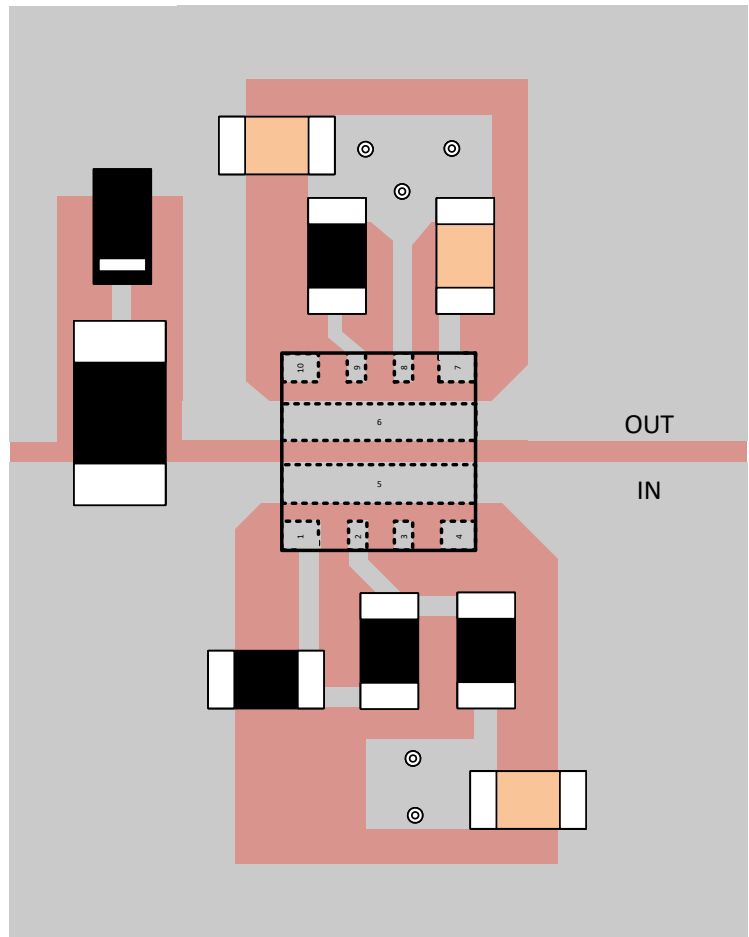
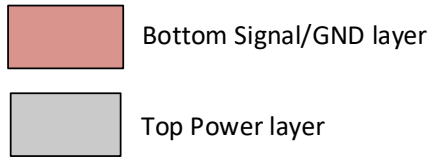


Figure 11-1. Layout Example

## 12 Device and Documentation Support

TI offers an extensive line of development tools. Tools and software to evaluate the performance of the device, generate code, and develop solutions are listed below.

### 12.1 Documentation Support

#### 12.1.1 Related Documentation

For related documentation see the following:

- Texas Instruments, [TPS25946EVM eFuse Evaluation Board user's guide](#)
- Texas Instruments, [TPS25946xx Design Calculator](#)

### 12.2 Receiving Notification of Documentation Updates

To receive notification of documentation updates, navigate to the device product folder on [ti.com](#). Click on *Subscribe to updates* to register and receive a weekly digest of any product information that has changed. For change details, review the revision history included in any revised document.

### 12.3 Support Resources

[TI E2E™ support forums](#) are an engineer's go-to source for fast, verified answers and design help — straight from the experts. Search existing answers or ask your own question to get the quick design help you need.

Linked content is provided "AS IS" by the respective contributors. They do not constitute TI specifications and do not necessarily reflect TI's views; see TI's [Terms of Use](#).

### 12.4 Trademarks

TI E2E™ is a trademark of Texas Instruments.

All trademarks are the property of their respective owners.

### 12.5 Electrostatic Discharge Caution



This integrated circuit can be damaged by ESD. Texas Instruments recommends that all integrated circuits be handled with appropriate precautions. Failure to observe proper handling and installation procedures can cause damage.

ESD damage can range from subtle performance degradation to complete device failure. Precision integrated circuits may be more susceptible to damage because very small parametric changes could cause the device not to meet its published specifications.

### 12.6 Glossary

[TI Glossary](#) This glossary lists and explains terms, acronyms, and definitions.

## 13 Mechanical, Packaging, and Orderable Information

The following pages include mechanical, packaging, and orderable information. This information is the most current data available for the designated devices. This data is subject to change without notice and revision of this document. For browser-based versions of this data sheet, refer to the left-hand navigation.



## PACKAGING INFORMATION

| Orderable Device | Status<br>(1) | Package Type | Package Drawing | Pins | Package Qty | Eco Plan<br>(2) | Lead finish/<br>Ball material<br>(6) | MSL Peak Temp<br>(3) | Op Temp (°C) | Device Marking<br>(4/5) | Samples                 |
|------------------|---------------|--------------|-----------------|------|-------------|-----------------|--------------------------------------|----------------------|--------------|-------------------------|-------------------------|
| TPS259460ARPWR   | ACTIVE        | VQFN-HR      | RPW             | 10   | 3000        | RoHS & Green    | Call TI   SN                         | Level-2-260C-1 YEAR  | -40 to 125   | 2GKH                    | <a href="#">Samples</a> |
| TPS259460LRPWR   | ACTIVE        | VQFN-HR      | RPW             | 10   | 3000        | RoHS & Green    | Call TI   SN                         | Level-2-260C-1 YEAR  | -40 to 125   | 2HCH                    | <a href="#">Samples</a> |
| TPS259461ARPWR   | ACTIVE        | VQFN-HR      | RPW             | 10   | 3000        | RoHS & Green    | SN                                   | Level-2-260C-1 YEAR  | -40 to 125   | 2L6H                    | <a href="#">Samples</a> |
| TPS259461LRPWR   | ACTIVE        | VQFN-HR      | RPW             | 10   | 3000        | RoHS & Green    | SN                                   | Level-2-260C-1 YEAR  | -40 to 125   | 2L7H                    | <a href="#">Samples</a> |

(1) The marketing status values are defined as follows:

**ACTIVE:** Product device recommended for new designs.

**LIFEBUY:** TI has announced that the device will be discontinued, and a lifetime-buy period is in effect.

**NRND:** Not recommended for new designs. Device is in production to support existing customers, but TI does not recommend using this part in a new design.

**PREVIEW:** Device has been announced but is not in production. Samples may or may not be available.

**OBSELETE:** TI has discontinued the production of the device.

(2) **RoHS:** TI defines "RoHS" to mean semiconductor products that are compliant with the current EU RoHS requirements for all 10 RoHS substances, including the requirement that RoHS substance do not exceed 0.1% by weight in homogeneous materials. Where designed to be soldered at high temperatures, "RoHS" products are suitable for use in specified lead-free processes. TI may reference these types of products as "Pb-Free".

**RoHS Exempt:** TI defines "RoHS Exempt" to mean products that contain lead but are compliant with EU RoHS pursuant to a specific EU RoHS exemption.

**Green:** TI defines "Green" to mean the content of Chlorine (Cl) and Bromine (Br) based flame retardants meet JS709B low halogen requirements of <=1000ppm threshold. Antimony trioxide based flame retardants must also meet the <=1000ppm threshold requirement.

(3) MSL, Peak Temp. - The Moisture Sensitivity Level rating according to the JEDEC industry standard classifications, and peak solder temperature.

(4) There may be additional marking, which relates to the logo, the lot trace code information, or the environmental category on the device.

(5) Multiple Device Markings will be inside parentheses. Only one Device Marking contained in parentheses and separated by a "-" will appear on a device. If a line is indented then it is a continuation of the previous line and the two combined represent the entire Device Marking for that device.

(6) Lead finish/Ball material - Orderable Devices may have multiple material finish options. Finish options are separated by a vertical ruled line. Lead finish/Ball material values may wrap to two lines if the finish value exceeds the maximum column width.

**Important Information and Disclaimer:**The information provided on this page represents TI's knowledge and belief as of the date that it is provided. TI bases its knowledge and belief on information provided by third parties, and makes no representation or warranty as to the accuracy of such information. Efforts are underway to better integrate information from third parties. TI has taken and

continues to take reasonable steps to provide representative and accurate information but may not have conducted destructive testing or chemical analysis on incoming materials and chemicals. TI and TI suppliers consider certain information to be proprietary, and thus CAS numbers and other limited information may not be available for release.

In no event shall TI's liability arising out of such information exceed the total purchase price of the TI part(s) at issue in this document sold by TI to Customer on an annual basis.

**TAPE AND REEL INFORMATION**

**QUADRANT ASSIGNMENTS FOR PIN 1 ORIENTATION IN TAPE**


\*All dimensions are nominal

| Device         | Package Type | Package Drawing | Pins | SPQ  | Reel Diameter (mm) | Reel Width W1 (mm) | A0 (mm) | B0 (mm) | K0 (mm) | P1 (mm) | W (mm) | Pin1 Quadrant |
|----------------|--------------|-----------------|------|------|--------------------|--------------------|---------|---------|---------|---------|--------|---------------|
| TPS259460ARPWR | VQFN-HR      | RPW             | 10   | 3000 | 180.0              | 8.4                | 2.3     | 2.3     | 1.15    | 4.0     | 8.0    | Q2            |
| TPS259460LRPWR | VQFN-HR      | RPW             | 10   | 3000 | 180.0              | 8.4                | 2.3     | 2.3     | 1.15    | 4.0     | 8.0    | Q2            |
| TPS259461ARPWR | VQFN-HR      | RPW             | 10   | 3000 | 180.0              | 8.4                | 2.3     | 2.3     | 1.15    | 4.0     | 8.0    | Q2            |
| TPS259461LRPWR | VQFN-HR      | RPW             | 10   | 3000 | 180.0              | 8.4                | 2.3     | 2.3     | 1.15    | 4.0     | 8.0    | Q2            |

**TAPE AND REEL BOX DIMENSIONS**


\*All dimensions are nominal

| Device         | Package Type | Package Drawing | Pins | SPQ  | Length (mm) | Width (mm) | Height (mm) |
|----------------|--------------|-----------------|------|------|-------------|------------|-------------|
| TPS259460ARPWR | VQFN-HR      | RPW             | 10   | 3000 | 210.0       | 185.0      | 35.0        |
| TPS259460LRPWR | VQFN-HR      | RPW             | 10   | 3000 | 210.0       | 185.0      | 35.0        |
| TPS259461ARPWR | VQFN-HR      | RPW             | 10   | 3000 | 210.0       | 185.0      | 35.0        |
| TPS259461LRPWR | VQFN-HR      | RPW             | 10   | 3000 | 210.0       | 185.0      | 35.0        |

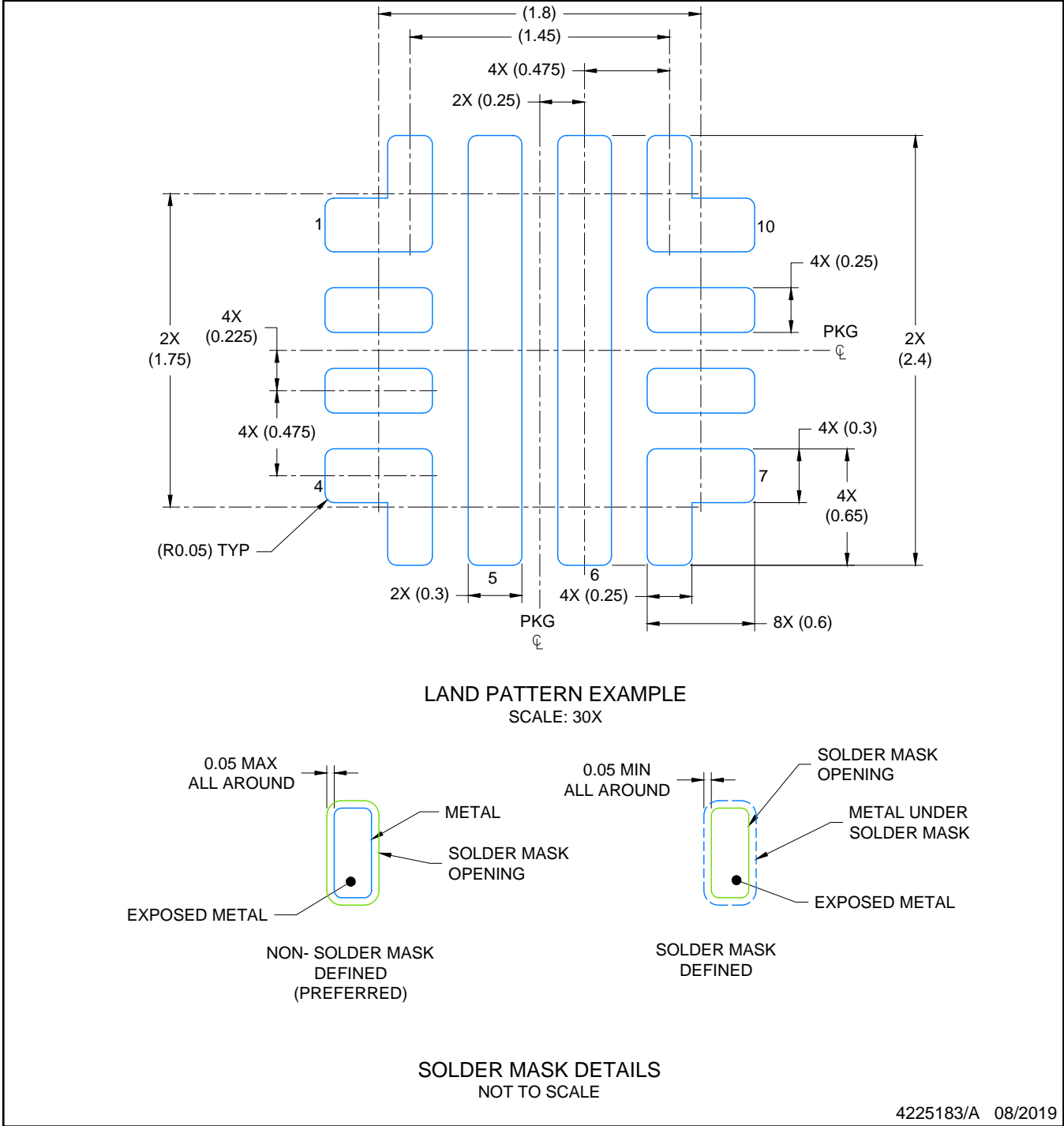


# EXAMPLE BOARD LAYOUT

RPW0010A

VQFN-HR - 1 mm max height

PLASTIC QUAD FLATPACK - NO LEAD



4225183/A 08/2019

NOTES: (continued)

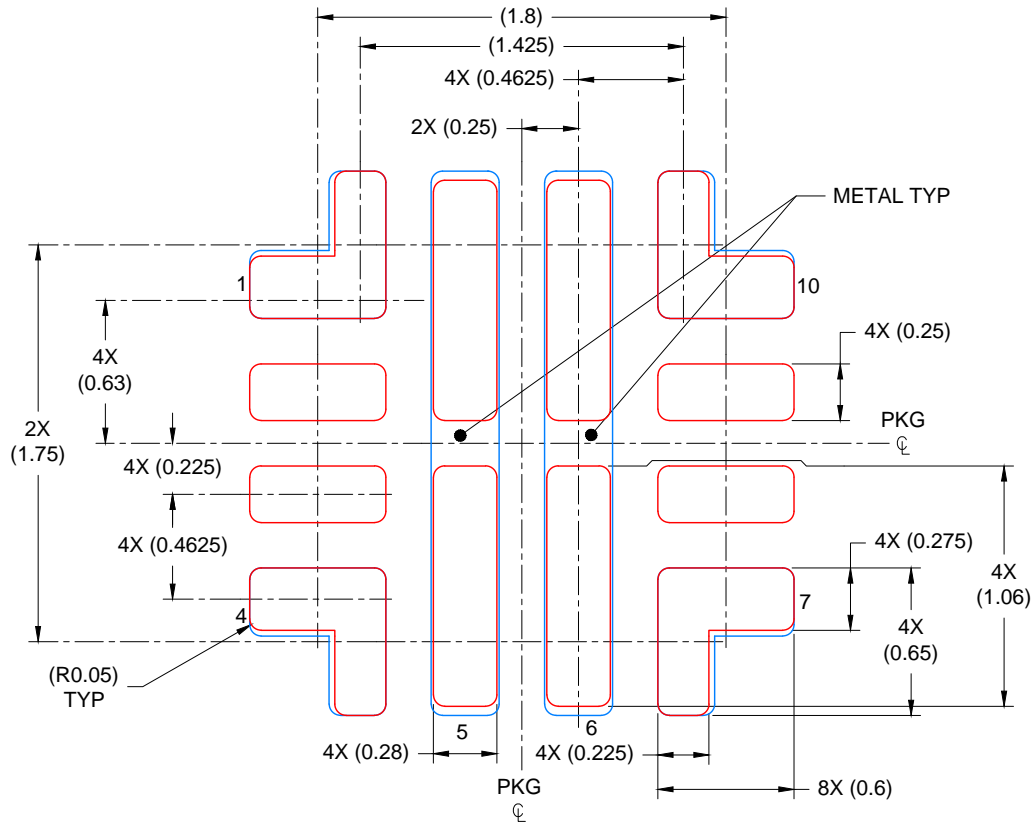
- 3. For more information, see Texas Instruments literature number SLUA271 ([www.ti.com/lit/sluea271](http://www.ti.com/lit/sluea271)).
- 4. Solder mask tolerances between and around signal pads can vary based on board fabrication site.

# EXAMPLE STENCIL DESIGN

RPW0010A

VQFN-HR - 1 mm max height

PLASTIC QUAD FLATPACK - NO LEAD



SOLDER PASTE EXAMPLE  
BASED ON 0.100 mm THICK STENCIL

PADS 1, 4, 7 & 10: 93%; PADS 5 & 6: 82%  
SCALE: 30X

4225183/A 08/2019

NOTES: (continued)

5. Laser cutting apertures with trapezoidal walls and rounded corners may offer better paste release. IPC-7525 may have alternate design recommendations.

## IMPORTANT NOTICE AND DISCLAIMER

TI PROVIDES TECHNICAL AND RELIABILITY DATA (INCLUDING DATA SHEETS), DESIGN RESOURCES (INCLUDING REFERENCE DESIGNS), APPLICATION OR OTHER DESIGN ADVICE, WEB TOOLS, SAFETY INFORMATION, AND OTHER RESOURCES "AS IS" AND WITH ALL FAULTS, AND DISCLAIMS ALL WARRANTIES, EXPRESS AND IMPLIED, INCLUDING WITHOUT LIMITATION ANY IMPLIED WARRANTIES OF MERCHANTABILITY, FITNESS FOR A PARTICULAR PURPOSE OR NON-INFRINGEMENT OF THIRD PARTY INTELLECTUAL PROPERTY RIGHTS.

These resources are intended for skilled developers designing with TI products. You are solely responsible for (1) selecting the appropriate TI products for your application, (2) designing, validating and testing your application, and (3) ensuring your application meets applicable standards, and any other safety, security, regulatory or other requirements.

These resources are subject to change without notice. TI grants you permission to use these resources only for development of an application that uses the TI products described in the resource. Other reproduction and display of these resources is prohibited. No license is granted to any other TI intellectual property right or to any third party intellectual property right. TI disclaims responsibility for, and you will fully indemnify TI and its representatives against, any claims, damages, costs, losses, and liabilities arising out of your use of these resources.

TI's products are provided subject to [TI's Terms of Sale](#) or other applicable terms available either on [ti.com](https://www.ti.com) or provided in conjunction with such TI products. TI's provision of these resources does not expand or otherwise alter TI's applicable warranties or warranty disclaimers for TI products.

TI objects to and rejects any additional or different terms you may have proposed.

Mailing Address: Texas Instruments, Post Office Box 655303, Dallas, Texas 75265  
Copyright © 2024, Texas Instruments Incorporated