

Voltage Protection for 3-Series to 6-Series Cell Lithium-Ion/Polymer Batteries

Check for Samples: [bq77PL157A4225](#)

FEATURES

- **Single IC Li-Ion Protection for 3-Series to 6-Series Cells**
- **Stackable to Protect up to 18-Series Cells**
- **Programmable Detection Time Delay**
- **Low Power Consumption**
 - Typical 2- μ A to 2.5- μ A Normal Mode
- **Fixed 4.225 V Overvoltage Threshold**
- **Highly Accurate: ± 20 -mV MAX, $T_A = 0^\circ\text{C}$ to 50°C**
- **Output Activation for Low Side FET (Contact TI for Alternate Output Options: High/Low-side Fuse or FET)**
- **Protected Output, Power, and Ground Pins for Added Safety and Reliability**
- **Permanent or Recoverable Fault Options**
- **16-pin Small Outline Package**

APPLICATIONS

- **Primary or Secondary Level Voltage Protection for Li-Ion Battery Packs for Use in:**
 - **Power Tools**
 - **UPS Systems**
 - **E-Bikes, Scooters, and Small Mobility Vehicles**
 - **Medical Devices, Test Equipment, and Industrial Products**

DESCRIPTION

The bq77PL157 is a stackable overvoltage protection device for 3, 4, 5 or 6 series cell Li-Ion battery packs. This device incorporates a precise and accurate overvoltage detection circuit with preconfigured threshold limits. Additional features include the ability to stack multiple parts to monitor up to 18 series cells.

FUNCTION

Each series cell in a Li-Ion battery pack is compared to an internal reference voltage. If one cell reaches an overvoltage condition, the protection sequence begins. The bq77PL157 starts charging an external capacitor through the CD pin. When the CD pin voltage reaches 1.2 V, the OUT pin changes state and the LVO pin becomes active.

If multiple bq77PL157 devices are stacked, the LVIN pin of the next-lower device receives the LVO pin from the above device and similarly starts a shortened delay timer before activating its OUT pin. (No additional isolation or level-shift circuitry is required.) The lowest bq77PL157 in the string is used to activate a power MOSFET located in the low side of the power path.



Please be aware that an important notice concerning availability, standard warranty, and use in critical applications of Texas Instruments semiconductor products and disclaimers thereto appears at the end of this data sheet.

bq77PL157A4225

SLUSA00B – MARCH 2010 – REVISED APRIL 2012

www.ti.com

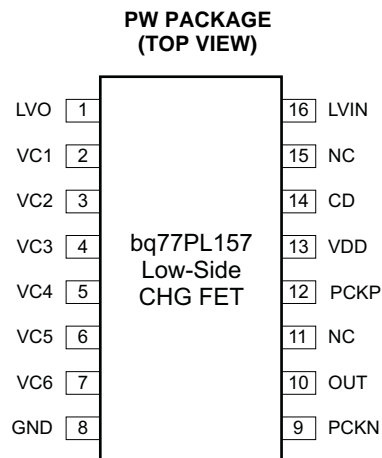


These devices have limited built-in ESD protection. The leads should be shorted together or the device placed in conductive foam during storage or handling to prevent electrostatic damage to the MOS gates.

ORDERING INFORMATION

| V _{PROTECT} | DEVICE | FEATURE CONFIGURATION | PACKAGING | FULL PART NAME |
|----------------------|------------|-----------------------|---------------|--------------------|
| 4.225 V | bq77PL157A | Recoverable Output | Tape and Reel | bq77PL157APWR-4225 |
| | | | Tube | bq77PL157APW-4225 |

DEVICE INFORMATION



PIN FUNCTIONS

| PIN NAME | PIN NO. | DESCRIPTION |
|----------|---------|--|
| CD | 14 | External capacitor to GND to set delay time |
| GND | 8 | Ground pin and negative end of cell stack |
| LVIN | 16 | Level-shift input (used for stacking, input is from next-higher part) |
| LVO | 1 | Level-shift output (used for stacking, route this output to next-lower part) |
| NC | 11, 15 | No connection |
| OUT | 10 | Output gate drive to external MOSFET |
| PCKN | 9 | Pack negative supply for OUT driver (connect to source of external MOSFET or GND if device not at bottom of stack) |
| PCKP | 12 | Pack positive supply for OUT driver (connect to most positive cell input of device) |
| VC1 | 2 | Sense voltage input for most positive cell |
| VC2 | 3 | Sense voltage input for second most positive cell |
| VC3 | 4 | Sense voltage input for third most positive cell |
| VC4 | 5 | Sense voltage input for fourth most positive cell |
| VC5 | 6 | Sense voltage input for fifth most positive cell |
| VC6 | 7 | Sense voltage input for least positive cell |
| VDD | 13 | Power supply (via RC filter) |

FUNCTIONAL BLOCK DIAGRAMS

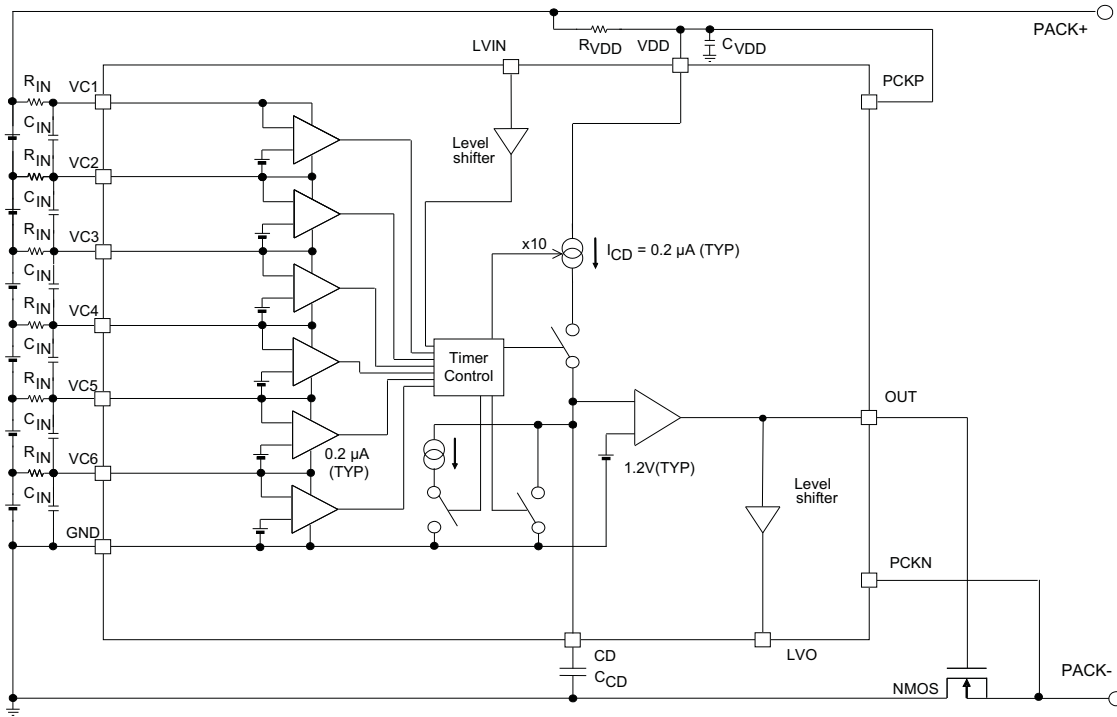


Figure 1. bq77PL157 – Low-Side Power NMOS Direct-Drive Output

ABSOLUTE MAXIMUM RATINGS

over recommended operating free-air temperature range, (unless otherwise noted)⁽¹⁾

| | | RANGE |
|--------------------------------------|------------------------------------|--------------------------|
| Supply voltage range, V_{MAX} | VDD, PCKP | -0.3 to 35 V |
| | PCKN | (VDD - 50) to VSS + 35 V |
| Input voltage range, V_{IN} | VCn (n=1 to 6) | -0.3 to 35 V |
| | VCn - VC(n+1), (n=1 to 5), VC6-GND | -0.3 to 8 V |
| | LVIN | -0.3 to 35 V |
| Output voltage range, V_{OUT} | OUT | -0.3 to 35 V |
| | CD | -0.3 to 35 V |
| | LVO | -0.3 to 35 V |
| Storage temperature range, T_{stg} | | -65°C to 150°C |

(1) Stresses beyond those listed under *absolute maximum ratings* may cause permanent damage to the device. These are stress ratings only and functional operation of the device at these or any other conditions beyond those indicated under *recommended operating conditions* is not implied. Exposure to absolute-maximum-rated conditions for extended periods may affect device reliability.

RECOMMENDED OPERATING CONDITIONS

over operating free-air temperature range (unless otherwise noted)

| | | MIN | TYP | MAX | UNIT |
|---|---------------------------------------|----------|------|-----|------|
| Supply voltage | VDD | 4.2 | | 30 | V |
| Pack positive voltage | PCKP | 0 | | 30 | V |
| Pack negative voltage | PCKN | VDD – 30 | | 30 | V |
| Input voltage range | VCn (n = 1 to 6) | 0 | | VDD | V |
| | VCn – VC(n + 1), (n = 1 to 5) VC6–GND | 0 | | 5 | |
| Delay time capacitor | C _{CD} | | 0.22 | | μF |
| Voltage monitor filter resistance | R _{IN} | | | 1 | kΩ |
| Voltage monitor filter capacitance | C _{IN} | 0.01 | | 0.1 | μF |
| Supply voltage filter resistance | R _{VDD} | 0 | | 1 | kΩ |
| Supply voltage filter capacitance | C _{VDD} | | 0.1 | | μF |
| Operating ambient temperature range, T _A | | –40 | | 110 | °C |

ELECTRICAL CHARACTERISTICS

 over recommended operating free-air temperature range (unless otherwise noted), typical values stated where T_A = 25°C

| PARAMETER | | TEST CONDITION | MIN | TYP | MAX | UNIT | |
|--------------------------------|---|---|---|------|------|------|----|
| V _{OA} | Overvoltage detection accuracy | T _A = 0°C to 50°C | | ±5 | ±25 | mV | |
| | | T _A = –20°C to 85°C | | ±5 | ±40 | | |
| | | T _A = –40°C to 110°C | | ±5 | ±70 | | |
| V _{PROTECT} | Overvoltage detection voltage | | 4.225 | | V | | |
| V _{TH} | Overvoltage detection hysteresis | | 150 | | 450 | mV | |
| I _{IN} ⁽¹⁾ | Input current on VCn (n = 2 to 6), | VCn – VC(n + 1), (n = 1 to 5), VC6 – GND = V _{PROTECT} – 25 mV | | | ±0.2 | μA | |
| | Input current on VC1 ⁽²⁾ | VCn – VC(n + 1), (n = 1 to 5), VC6 – GND = V _{PROTECT} – 3.5 V | | 1 | 1.5 | μA | |
| t _D | Overvoltage detection delay time | VCn – VC(n+1), (n=1 to 5), VC6 – GND = V _{PROTECT} + 25 mV, VDD = VC1 CD = 0.22 μF | 1 | 1.5 | 2 | s | |
| t _{OA} | Minimum output active (fault) time | VCn – VC(n + 1), (n = 1 to 5), VC6 – GND = V _{PROTECT} – V _{TH} , VDD = VC1, CD = 0.22 μF | 0.7 | 1.5 | 2.3 | s | |
| V _{CD,TH1} | CD threshold voltage for output transition from inactive (no fault) to active (fault) | | | 1.2 | | V | |
| V _{CD,TH2} | CD clamp voltage after output change to active (fault) | | | 2.4 | | V | |
| I _{CH1} | CD charge current by overvoltage CD voltage = GND to V _{CD,TH1} | VCn – VC(n+1), (n=1 to 5), VC6-GND = V _{PROTECT} + 25 mV VDD = VC1 | Before output active CD = GND | –0.1 | –0.2 | –0.3 | μA |
| I _{CH2} | CD clamp current after output active CD voltage = V _{CD,TH1} to V _{CD,TH2} | | After output active CD = V _{CD,TH1} | 1 | 2 | 3 | μA |
| I _{DS1} | CD discharge current CD voltage = V _{CD,TH2} to V _{CD,TH1} | VCn – VC(n + 1), (n = 1 to 5), VC6 – GND = V _{PROTECT} – V _{TH} , VDD = VC1 | After OUT active and CD reaches V _{CD,TH2} CD = V _{CD,TH2} | 0.1 | 0.2 | 0.3 | μA |
| I _{DS2} | CD clamp current CD voltage = V _{CD,TH1} to GND | | After OUT inactive, CD = V _{CD, TH1} | | 90 | | μA |
| I _{DD} | VDD Supply current | All cell voltages at 3.5 V/cell | | 2 | 3.5 | μA | |
| I _{PCKP} | Output supply current | PCKP = 22 V | | 0.4 | 0.8 | μA | |

 (1) Input current of each VCx does not include I_{DD} current of VDD.

(2) Input current from top cell does not contribute to cell imbalance.

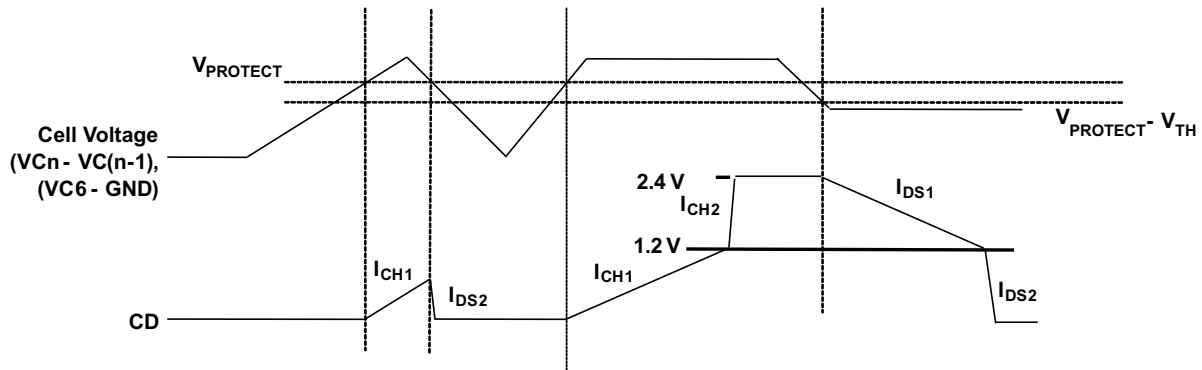


Figure 2. CD charge Current and Discharge Current

bq77PL157 OUTPUT

| PARAMETER | TEST CONDITION | MIN | TYP | MAX | UNIT |
|--|---|----------|-----------|------------|------|
| V _{OUT} OUT pin drive voltage | VC _n – VC(n + 1), (n = 1 to 5), VC ₆ – GND = V _{PROTECT} + 25 mV, VDD = VC ₁ , I _{OUT} = 0 to –0.1 mA, T _A = –40°C to 110°C | | | PCKN + 0.2 | V |
| | VC _n – VC(n + 1), (n = 1 to 5), VC ₆ – GND = V _{PROTECT} – 25 mV, VDD = VC ₁ , I _{OUT} = 0 to 0.1 mA, T _A = –40°C to 110°C | PCKN + 9 | PCKN + 14 | PCKN + 16 | |
| V _{OUT} rise time | C _L = 5000 pF, V _{OUT} : 10% to 90% | | | 100 | μs |
| V _{OUT} fall time | C _L = 5000 pF, V _{OUT} : 90% to 10% | | | 100 | μs |

LEVEL SHIFT FUNCTION

| PARAMETER | TEST CONDITION | MIN | TYP | MAX | UNIT | | |
|-------------------|---------------------------------|---|---------------------------|----------------------|-----------------------|-----------------------|----|
| I _{LVL} | LVIN pull down current | VC _n – VC(n + 1), (n = 1 to 5), VC ₆ – GND = V _{PROTECT} – 25 mV, VDD = VC ₁ , LVIN = VDD + 4 V | | 2 | 3.8 | 7 | μA |
| V _{LVL} | LVIN threshold voltage | | VDD + 1 | VDD + 3.5 | | V | |
| V _{OH} | LVO output high voltage | I _{OH} = –7 μA | GND + 4 | GND + 6 | | V | |
| t _{DA} | Output-active time-delay time | VC _n – VC(n + 1), (n = 1 to 5), VC ₆ – GND = V _{PROTECT} – 25 mV, LVIN = VDD + 4 V | C _{CD} = 0.22 μF | 132 | | ms | |
| I _{CHLV} | CD charge current by LVIN input | | CD = GND | 9 × I _{CH2} | 10 × I _{CH2} | 11 × I _{CH2} | μA |
| t _{DIA} | Output-inactive delay time | VC _n – VC(n + 1), (n = 1 to 5), VC ₆ – GND = V _{PROTECT} – 25 mV, LVIN = VDD | C _{CD} = 0.22 μF | 3.5 | | ms | |
| I _{DSL} | CD charge current by LVIN input | | CD = GND | I _{DS2} | I _{DS2} | I _{DS2} | μA |

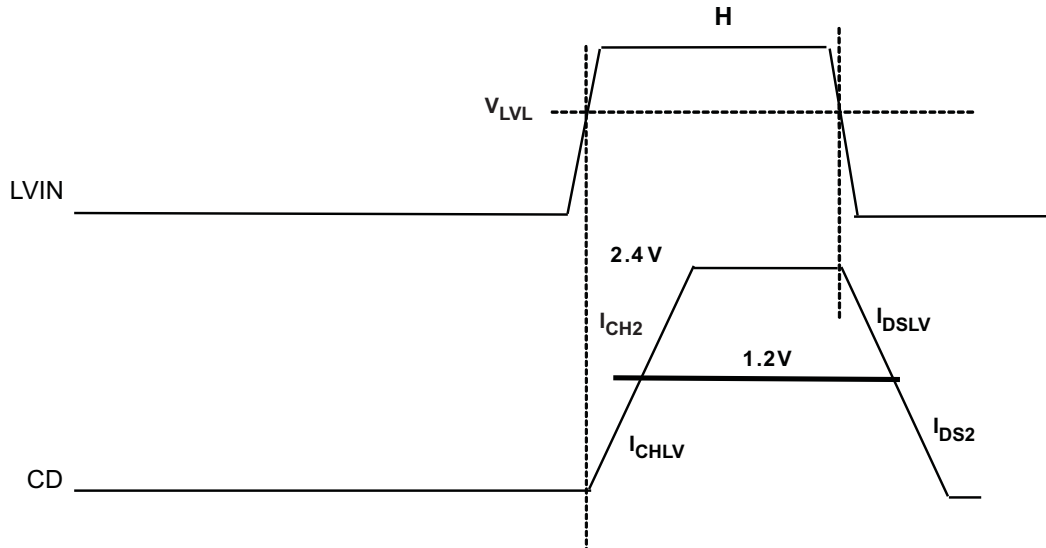


Figure 3. CD Charge Current and Discharge Current

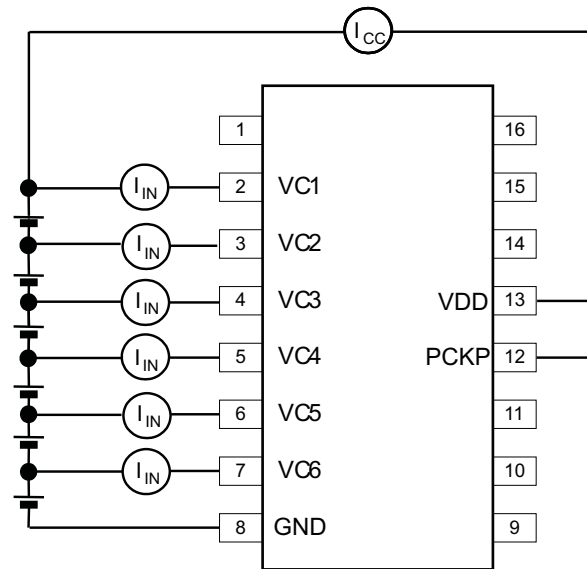


Figure 4. I_{CC} , I_{IN} Measurement Test Setup

OPERATION AND TIMING OF PROTECTION OUTPUT

From Direct Cell Inputs

When any one of the cell voltages exceeds $V_{PROTECT}$, an internal current source begins to charge capacitor C_{CD} connected to the CD pin, which acts as a delay timer. If all cell voltages fall below $V_{PROTECT}$ before V_{CD} reaches $V_{CD,TH1}$, the delay timer is reset and the OUT pin is not activated (i.e., no fault detected, output remains unchanged). An internal switch clamps the CD pin to GND, discharges the capacitor C_{CD} , and resets the full delay time for the next occurring overvoltage event.

If any cell voltage exceeds $V_{PROTECT}$ long enough for the voltage at the CD pin (V_{CD}) to reach $V_{CD,TH1}$ (1.2 V typical), then the OUT and LVO pins are activated (i.e., fault detected, output changes state), thus interrupting the circuit via the FET protection device. Once the output is activated, the CD pin is charged up to its maximum value $V_{CD,TH2}$ (2.4 V typical).

When the recovery option is selected, if all cell voltages fall below $V_{\text{PROTECT}} - V_{\text{TH}}$ (threshold hysteresis), an internal current source begins to discharge capacitor C_{CD} , also acting as a delay timer. If any cell voltage returns back above $V_{\text{PROTECT}} - V_{\text{TH}}$ before V_{CD} reaches $V_{\text{CD,TH1}}$, the delay timer is reset and the OUT and LVO pins remains active (i.e. in the fault state). The CD pin is charged back to its maximum value $V_{\text{CD,TH2}}$.

If all cell voltages remain below $V_{\text{PROTECT}} - V_{\text{TH}}$ long enough for the voltage at the CD pin to reach $V_{\text{CD,TH1}}$, then the OUT and LVO pins are deactivated (i.e. output returns to the no fault state). An internal switch clamps the CD pin to GND, discharges the capacitor C_{CD} , and resets the full delay time for the next occurring overvoltage event.

The delay time for detecting an overvoltage fault is the time between charging C_{CD} from 0 to $V_{\text{CD,TH1}}$ and can be calculated as follows:

$$t_D = (V_{\text{CD,TH1}} \times C_{\text{CD}}) / I_{\text{CH1}}$$

$$C_{\text{CD}} = (t_D \times I_{\text{CH1}}) / V_{\text{CD,TH1}}$$

where I_{CH1} = CD charge current = 0.2 μA (typical)

The recovery delay time is the time between discharging from $V_{\text{CD,TH2}}$ to $V_{\text{CD,TH1}}$. The minimum output active time (t_{OA}) can be calculated as follows:

$$t_{\text{OA}} = (V_{\text{CD,TH2}} - V_{\text{CD,TH1}}) \times C_{\text{CD}} / I_{\text{DS1}}$$

$$C_{\text{CD}} = (t_{\text{OA}} \times I_{\text{DS1}}) / (V_{\text{CD,TH2}} - V_{\text{CD,TH1}})$$

where I_{DS1} = CD discharge current = 0.2 μA (typical)

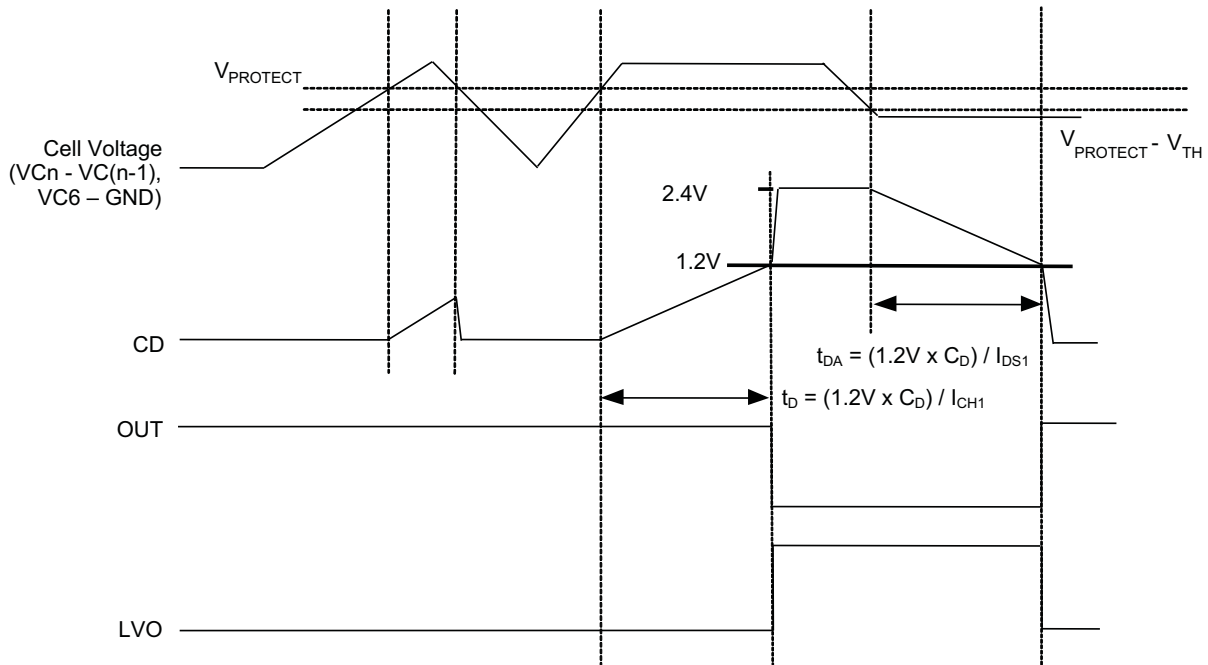


Figure 5. Timing for Overvoltage Sensing (With Recovery Option)

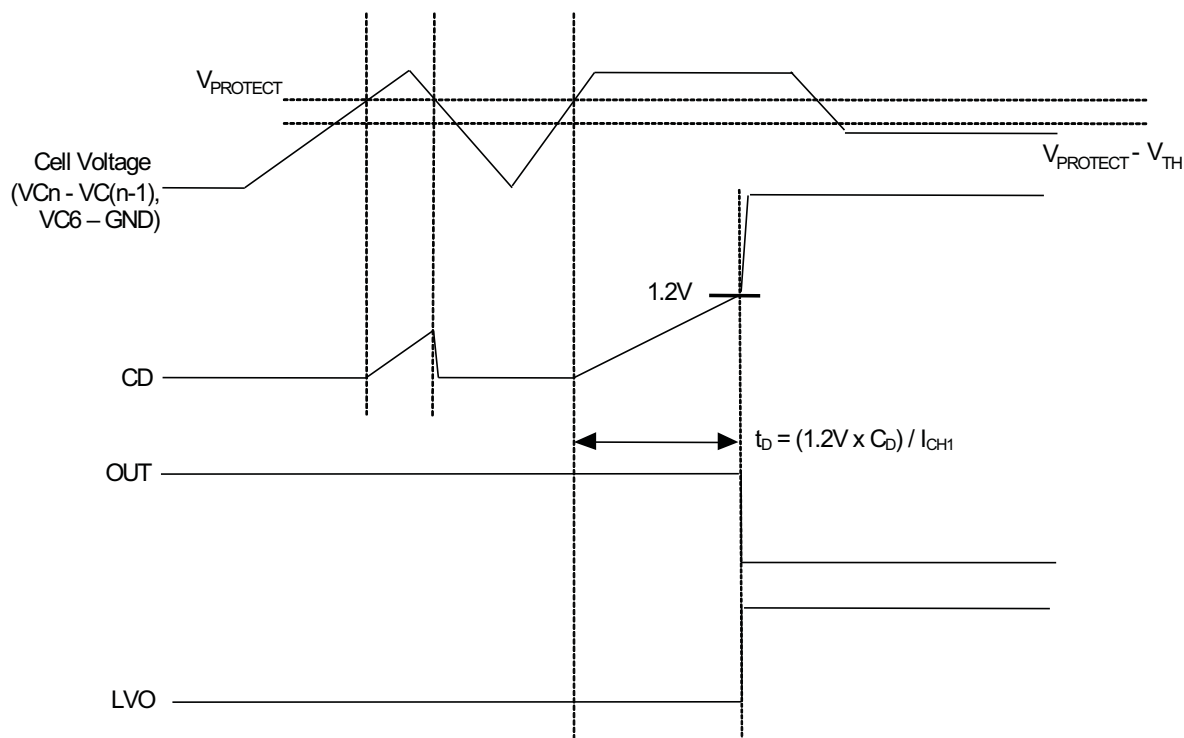


Figure 6. Timing for Overvoltage Sensing (Without Recovery Option – Permanent Latch)

From Level Shift Input

More than six cells can be monitored with multiple bq77PL157 devices by using the LVO and LVIN pins to cascade or stack multiple parts. The LVO pin from the *upper* bq77PL157 is connected to the LVIN pin of the *lower* bq77PL157. The OUT pin of the *lowest* bq77PL157 is used to control the activation element while the OUT pins of the upper bq77PL157 devices are not used.

When the LVIN pin changes from a low to high level, an internal current source begins to charge capacitor C_{CD} , connected to the CD pin, quickly. If the voltage at the CD pin, V_{CD} , reaches $V_{CD,TH1}$ (1.2 V typical), then the OUT pin and the LVO pin are both activated. Once the output is activated, the CD pin continues to charge up to its maximum value of $V_{CD,TH2}$ (2.4 V typical).

The delay time from LVIN to either LVO or OUT is minimized by quickly charging the CD pin and is approximately 10 times faster than the delay time from an overvoltage fault at the direct cell inputs. When more than two bq77PL157 devices are stacked, this delay time is additive.

The delay time per device can be calculated as follows:

$$t_{DA} = (V_{CD,TH1} \times C_{CD}) / I_{CHLV}$$

where $I_{CHLV} = \text{CD charge current} = 10 \times I_{CH1} = 2 \mu\text{A}$ (typical)

When the LVIN pin changes from a high to low level, an internal switch clamps the CD pin to GND, discharging the capacitor C_{CD} . The delay time (per part) can be calculated as follows.

$$t_{DIA} = (V_{CD,TH2} - V_{CD,TH1}) \times C_{CD} / I_{DSL V}$$

where $I_{DSL V} = \text{CD discharge current} = 90 \mu\text{A}$ (typical)

To find the total expected delay time from LVIN to OUT, a variable internal latency of approximately 4 - 12 ms should be added.

Faults detected via LVIN have the highest priority and will interrupt the timing of all lower priority faults.

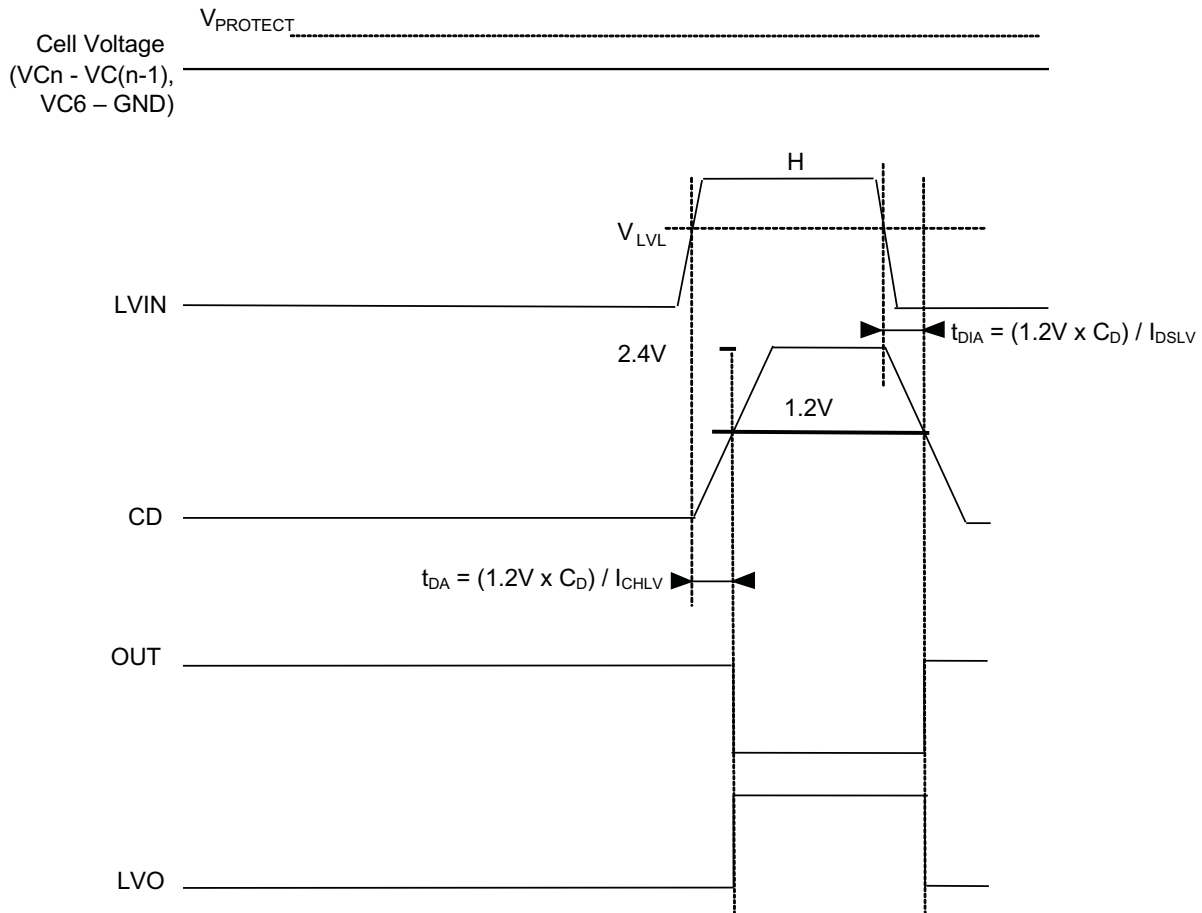


Figure 7. LVIN to OUT and LVO Timing

CELL CONNECTION SEQUENCE

Unused VCx cell input pins should be connected to the most positive connected cell input pin as shown in the [Battery Connection Diagrams](#) section. VDD is connected through a resistor to the most-positive VCx pin of the cell stack. Note that VC1 is the most-positive connection to the most-positive cell.

During pack assembly, it is recommended that the cell input pins be connected in order from lowest to highest potential: GND, VC6, VC5, VC4, VC3, VC2, VC1.

NOTE

if a random cell connection order is used, a false overvoltage condition may be sensed depending on the order of connection.

To prevent a fault from being detected in this scenario, the CD pin may be held low so that the fault timer is disabled and OUT and LVO will not be activated. Alternatively, the VDD pin may be held low during cell connection, or pulsed low after cell connection in order to reset the device.

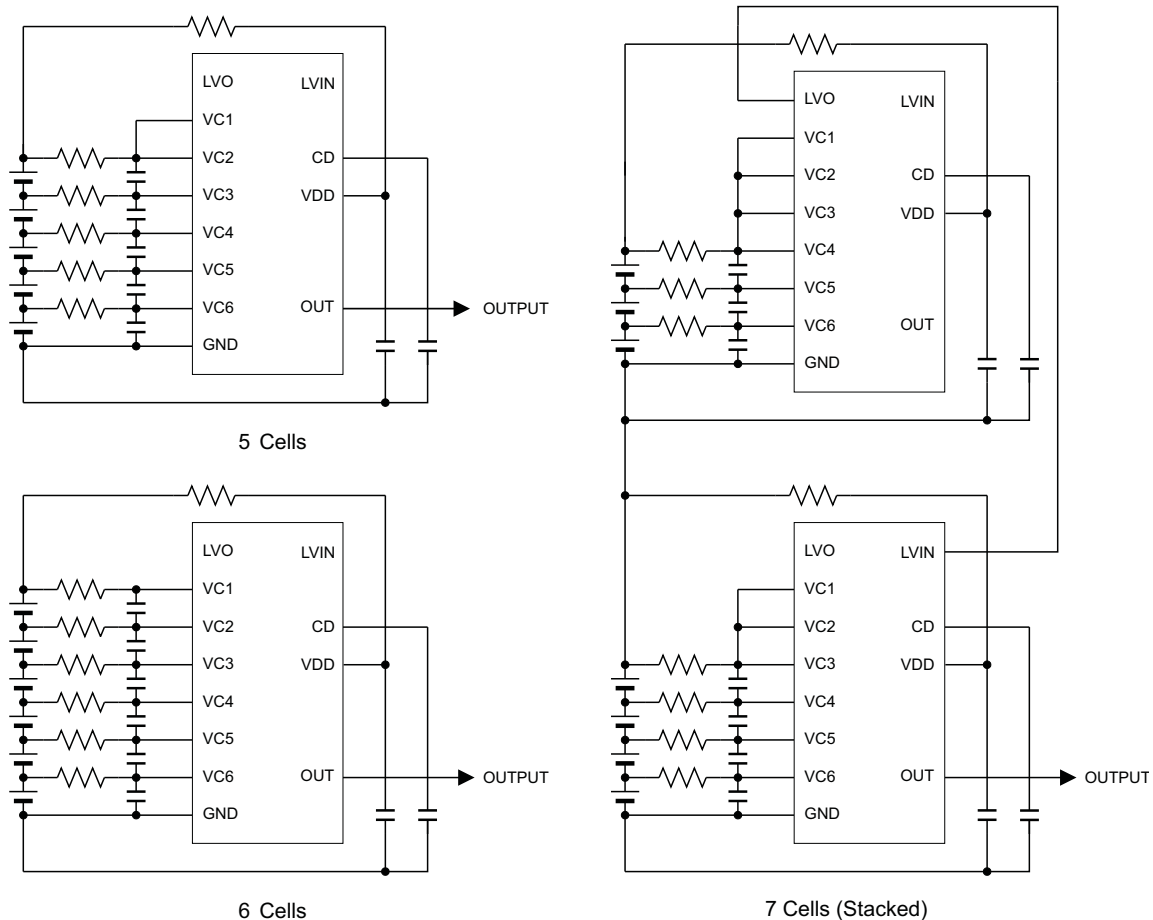
BATTERY CONNECTION DIAGRAMS

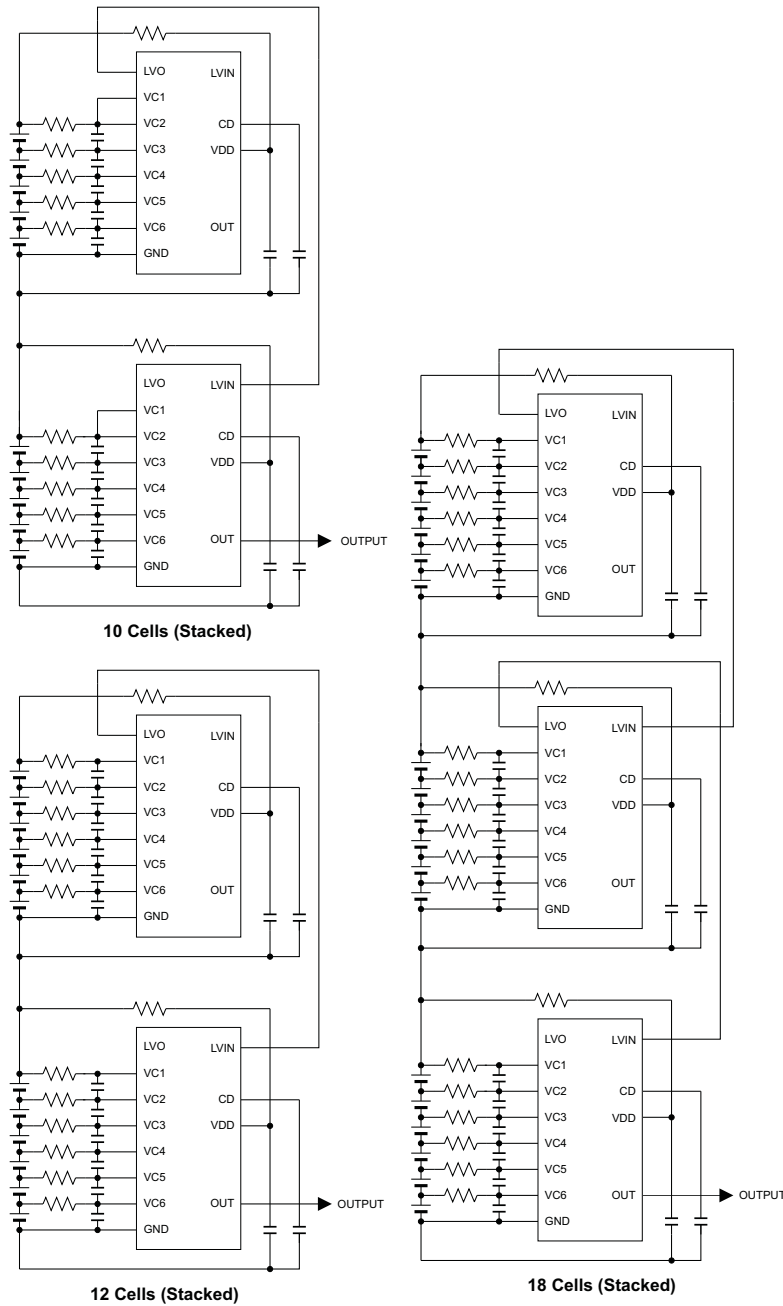
The following schematics indicate the cell connections for several battery configurations. Unused cell inputs should be connected together on the most positive end of the cell stack. (**VC1 is the most positive input.**)

The PCKP and PCKN pins supply power to the output FET driver. PCKP is always connected to the most positive cell input of the device. PCKN for a single device or the bottom device in a stack is connected to the source terminal of the protection FET device. For an upper device in a stacked configuration, PCKN is connected to GND.

NOTE

Not all connections shown. Diagrams are simplifications of full circuits and do not include key constraints when stacking these parts.





REDUCING TEST TIME

By controlling the CD pin, it is possible to reduce the time for functional test at PC board assembly:

To make a shorter overvoltage delay time, pull the CD pin over 1.2 V (typ) (MAX to VDD).

To recover from an overvoltage condition, pull the CD pin down to GND and set cell $VC_x < V_{PROTECT} - V_{TH}$.

REVISION HISTORY

| Changes from Original (March 2010) to Revision A | Page |
|---|-------------|
|---|-------------|

- Changed the overvoltage detection hysteresis (V_{TH}) minimum value of 100 mV to 150 mV 4
-

| Changes from Revision A (October 2011) to Revision B | Page |
|---|-------------|
|---|-------------|

- Changed Features Item From: Fixed Overvoltage Thresholds Available From 3.75 V to 4.35 V in 25-mV Steps To:
Fixed 4.225 V Overvoltage Threshold 1
 - Changed the DESCRIPTION paragraph 1
 - Changed the ORDERING INFORMATION section 2
 - Deleted Test Conditions for $V_{PROTECT}$. Deleted the MIN and MAX values. Added a TYP value of 4.225 V 4
-

PACKAGING INFORMATION

| Orderable Device | Status (1) | Package Type | Package Drawing | Pins | Package Qty | Eco Plan (2) | Lead finish/ Ball material (6) | MSL Peak Temp (3) | Op Temp (°C) | Device Marking (4/5) | Samples |
|--------------------|---------------|--------------|-----------------|------|-------------|-----------------|--------------------------------------|----------------------|--------------|-------------------------|-------------------------|
| BQ77PL157APW-4225 | ACTIVE | TSSOP | PW | 16 | 90 | RoHS & Green | NIPDAU | Level-2-260C-1 YEAR | -40 to 85 | ODZ | Samples |
| BQ77PL157APWR-4225 | ACTIVE | TSSOP | PW | 16 | 2000 | RoHS & Green | NIPDAU | Level-2-260C-1 YEAR | -40 to 85 | ODZ | Samples |

(1) The marketing status values are defined as follows:

ACTIVE: Product device recommended for new designs.

LIFEBUY: TI has announced that the device will be discontinued, and a lifetime-buy period is in effect.

NRND: Not recommended for new designs. Device is in production to support existing customers, but TI does not recommend using this part in a new design.

PREVIEW: Device has been announced but is not in production. Samples may or may not be available.

OBSOLETE: TI has discontinued the production of the device.

(2) **RoHS:** TI defines "RoHS" to mean semiconductor products that are compliant with the current EU RoHS requirements for all 10 RoHS substances, including the requirement that RoHS substance do not exceed 0.1% by weight in homogeneous materials. Where designed to be soldered at high temperatures, "RoHS" products are suitable for use in specified lead-free processes. TI may reference these types of products as "Pb-Free".

RoHS Exempt: TI defines "RoHS Exempt" to mean products that contain lead but are compliant with EU RoHS pursuant to a specific EU RoHS exemption.

Green: TI defines "Green" to mean the content of Chlorine (Cl) and Bromine (Br) based flame retardants meet JS709B low halogen requirements of <=1000ppm threshold. Antimony trioxide based flame retardants must also meet the <=1000ppm threshold requirement.

(3) MSL, Peak Temp. - The Moisture Sensitivity Level rating according to the JEDEC industry standard classifications, and peak solder temperature.

(4) There may be additional marking, which relates to the logo, the lot trace code information, or the environmental category on the device.

(5) Multiple Device Markings will be inside parentheses. Only one Device Marking contained in parentheses and separated by a "~" will appear on a device. If a line is indented then it is a continuation of the previous line and the two combined represent the entire Device Marking for that device.

(6) Lead finish/Ball material - Orderable Devices may have multiple material finish options. Finish options are separated by a vertical ruled line. Lead finish/Ball material values may wrap to two lines if the finish value exceeds the maximum column width.

Important Information and Disclaimer:The information provided on this page represents TI's knowledge and belief as of the date that it is provided. TI bases its knowledge and belief on information provided by third parties, and makes no representation or warranty as to the accuracy of such information. Efforts are underway to better integrate information from third parties. TI has taken and continues to take reasonable steps to provide representative and accurate information but may not have conducted destructive testing or chemical analysis on incoming materials and chemicals. TI and TI suppliers consider certain information to be proprietary, and thus CAS numbers and other limited information may not be available for release.

In no event shall TI's liability arising out of such information exceed the total purchase price of the TI part(s) at issue in this document sold by TI to Customer on an annual basis.

TAPE AND REEL INFORMATION

QUADRANT ASSIGNMENTS FOR PIN 1 ORIENTATION IN TAPE


*All dimensions are nominal

| Device | Package Type | Package Drawing | Pins | SPQ | Reel Diameter (mm) | Reel Width W1 (mm) | A0 (mm) | B0 (mm) | K0 (mm) | P1 (mm) | W (mm) | Pin1 Quadrant |
|--------------------|--------------|-----------------|------|------|--------------------|--------------------|---------|---------|---------|---------|--------|---------------|
| BQ77PL157APWR-4225 | TSSOP | PW | 16 | 2000 | 330.0 | 12.4 | 6.9 | 5.6 | 1.6 | 8.0 | 12.0 | Q1 |

TAPE AND REEL BOX DIMENSIONS


*All dimensions are nominal

| Device | Package Type | Package Drawing | Pins | SPQ | Length (mm) | Width (mm) | Height (mm) |
|--------------------|--------------|-----------------|------|------|-------------|------------|-------------|
| BQ77PL157APWR-4225 | TSSOP | PW | 16 | 2000 | 350.0 | 350.0 | 43.0 |

TUBE


*All dimensions are nominal

| Device | Package Name | Package Type | Pins | SPQ | L (mm) | W (mm) | T (μm) | B (mm) |
|-------------------|--------------|--------------|------|-----|--------|--------|--------|--------|
| BQ77PL157APW-4225 | PW | TSSOP | 16 | 90 | 530 | 10.2 | 3600 | 3.5 |



4220204/A 02/2017

NOTES:

1. All linear dimensions are in millimeters. Any dimensions in parenthesis are for reference only. Dimensioning and tolerancing per ASME Y14.5M.
2. This drawing is subject to change without notice.
3. This dimension does not include mold flash, protrusions, or gate burrs. Mold flash, protrusions, or gate burrs shall not exceed 0.15 mm per side.
4. This dimension does not include interlead flash. Interlead flash shall not exceed 0.25 mm per side.
5. Reference JEDEC registration MO-153.

EXAMPLE BOARD LAYOUT

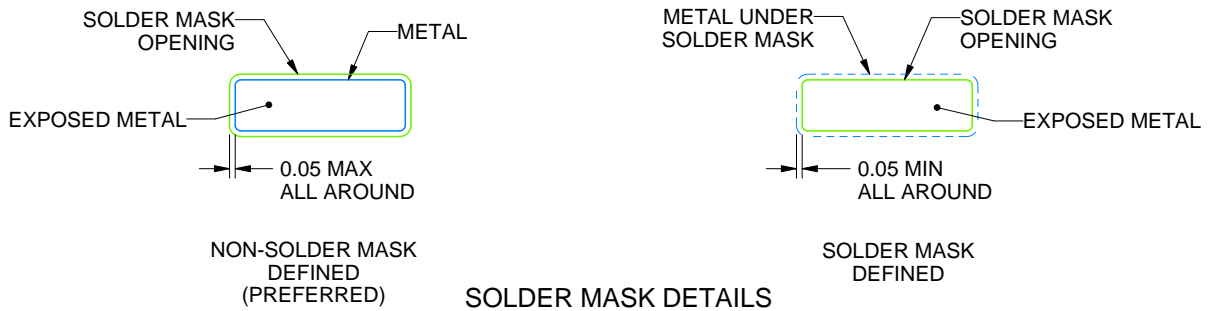
PW0016A

TSSOP - 1.2 mm max height

SMALL OUTLINE PACKAGE



LAND PATTERN EXAMPLE
EXPOSED METAL SHOWN
SCALE: 10X



4220204/A 02/2017

NOTES: (continued)

- 6. Publication IPC-7351 may have alternate designs.
- 7. Solder mask tolerances between and around signal pads can vary based on board fabrication site.

EXAMPLE STENCIL DESIGN

PW0016A

TSSOP - 1.2 mm max height

SMALL OUTLINE PACKAGE



SOLDER PASTE EXAMPLE
BASED ON 0.125 mm THICK STENCIL
SCALE: 10X

4220204/A 02/2017

NOTES: (continued)

8. Laser cutting apertures with trapezoidal walls and rounded corners may offer better paste release. IPC-7525 may have alternate design recommendations.
9. Board assembly site may have different recommendations for stencil design.

IMPORTANT NOTICE AND DISCLAIMER

TI PROVIDES TECHNICAL AND RELIABILITY DATA (INCLUDING DATA SHEETS), DESIGN RESOURCES (INCLUDING REFERENCE DESIGNS), APPLICATION OR OTHER DESIGN ADVICE, WEB TOOLS, SAFETY INFORMATION, AND OTHER RESOURCES "AS IS" AND WITH ALL FAULTS, AND DISCLAIMS ALL WARRANTIES, EXPRESS AND IMPLIED, INCLUDING WITHOUT LIMITATION ANY IMPLIED WARRANTIES OF MERCHANTABILITY, FITNESS FOR A PARTICULAR PURPOSE OR NON-INFRINGEMENT OF THIRD PARTY INTELLECTUAL PROPERTY RIGHTS.

These resources are intended for skilled developers designing with TI products. You are solely responsible for (1) selecting the appropriate TI products for your application, (2) designing, validating and testing your application, and (3) ensuring your application meets applicable standards, and any other safety, security, regulatory or other requirements.

These resources are subject to change without notice. TI grants you permission to use these resources only for development of an application that uses the TI products described in the resource. Other reproduction and display of these resources is prohibited. No license is granted to any other TI intellectual property right or to any third party intellectual property right. TI disclaims responsibility for, and you will fully indemnify TI and its representatives against, any claims, damages, costs, losses, and liabilities arising out of your use of these resources.

TI's products are provided subject to [TI's Terms of Sale](#) or other applicable terms available either on [ti.com](https://www.ti.com) or provided in conjunction with such TI products. TI's provision of these resources does not expand or otherwise alter TI's applicable warranties or warranty disclaimers for TI products.

TI objects to and rejects any additional or different terms you may have proposed.

Mailing Address: Texas Instruments, Post Office Box 655303, Dallas, Texas 75265
Copyright © 2023, Texas Instruments Incorporated