

## CDx4AC04 Hex Inverters

### 1 Features

- AC types feature 1.5V to 5.5V operation and balanced noise immunity at 30% of the supply voltage
- Speed of Bipolar F, AS, and S, with significantly reduced power consumption
- Balanced propagation delays
- $\pm 24$ ma output drive current
  - Fanout to 15 F Devices
- SCR-latchup-resistant CMOS process and circuit design
- Exceeds 2kV ESD protection per MIL-STD-883, method 3015

### 2 Description

The 'AC04 devices contain six independent inverters. The devices perform the Boolean function  $Y = \bar{A}$ .

#### Device Information

| PART NUMBER | PACKAGE <sup>(1)</sup> | PACKAGE SIZE <sup>(2)</sup> | BODY SIZE <sup>(3)</sup> |
|-------------|------------------------|-----------------------------|--------------------------|
| CDx4AC04    | D (SOIC, 14)           | 8.65mm × 6mm                | 8.65mm × 3.9mm           |
|             | N (PDIP, 14)           | 19.3mm × 9.4mm              | 19.3mm × 6.35mm          |
|             | J (CDIP, 14)           | 19.56 mm × 6.67mm           | 19.56mm × 6.67mm         |

- (1) For more information, see [Section 10](#).
- (2) The package size (length × width) is a nominal value and includes pins, where applicable.
- (3) The body size (length × width) is a nominal value and does not include pins.



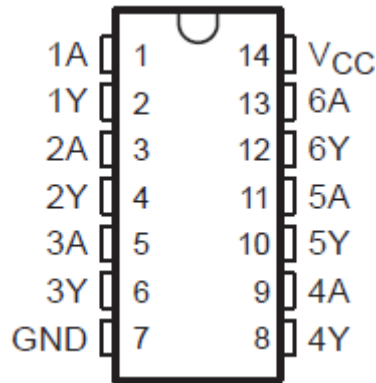
**Simplified Schematic**



## Table of Contents

|   |   |  |    |
|---|---|--|----|
| <b>1 Features</b> .....   | 1 | 6.1 Functional Block Diagram.....                                | 8  |
| <b>2 Description</b> .....  | 1 | 6.2 Device Functional Modes.....                                 | 8  |
| <b>3 Pin Configuration and Functions</b> .....                                | 3 | <b>7 Application and Implementation</b> .....                    | 9  |
| <b>4 Specifications</b> .....   | 4 | 7.1 Power Supply Recommendations.....                            | 9  |
| 4.1 Absolute Maximum Ratings.....   | 4 | 7.2 Layout.....  | 9  |
| 4.2 ESD Ratings.....  | 4 | <b>8 Device and Documentation Support</b> .....                  | 10 |
| 4.3 Recommended Operating Conditions.....                                     | 4 | 8.1 Documentation Support (Analog).....                          | 10 |
| 4.4 Thermal Information.....  | 4 | 8.2 Receiving Notification of Documentation Updates....          | 10 |
| 4.5 Electrical Characteristics.....   | 5 | 8.3 Support Resources.....                                       | 10 |
| 4.6 Switching Characteristics, $V_{CC} = 1.5\text{ V}$ .....                  | 5 | 8.4 Trademarks.....  | 10 |
| 4.7 Switching Characteristics, $V_{CC} = 3.3\text{ V} \pm 0.3\text{ V}$ ..... | 5 | 8.5 Electrostatic Discharge Caution.....                         | 10 |
| 4.8 Switching Characteristics, $V_{CC} = 5\text{ V} \pm 0.5\text{ V}$ .....   | 6 | 8.6 Glossary.....  | 10 |
| 4.9 Operating Characteristics.....  | 6 | <b>9 Revision History</b> .....                                  | 10 |
| <b>5 Parameter Measurement Information</b> .....                              | 7 | <b>10 Mechanical, Packaging, and Orderable Information</b> ..... | 11 |
| <b>6 Detailed Description</b> .....   | 8 |  |    |

### 3 Pin Configuration and Functions



**Figure 3-1. CD54AC04 J Package, 14-Pin CDIP; CD74AC04 N or D Package, 14-Pin SOIC or PDIP (Top View)**

**Table 3-1. Pin Functions**

| PIN             |     | I/O    | DESCRIPTION         |
|-----------------|-----|--------|---------------------|
| NAME            | NO. |        |                     |
| 1A              | 1   | Input  | Channel 1, Input A  |
| 1Y              | 2   | Output | Channel 1, Output Y |
| 2A              | 3   | Input  | Channel 2, Input A  |
| 2Y              | 4   | Output | Channel 2, Output Y |
| 3A              | 5   | Input  | Channel 3, Input A  |
| 3Y              | 6   | Output | Channel 3, Output Y |
| GND             | 7   | —      | Ground              |
| 4Y              | 8   | Output | Channel 4, Output Y |
| 4A              | 9   | Input  | Channel 4, Input A  |
| 5Y              | 10  | Output | Channel 5, Output Y |
| 5A              | 11  | Input  | Channel 5, Input A  |
| 6Y              | 12  | Output | Channel 6, Output Y |
| 6A              | 13  | Input  | Channel 6, Input A  |
| V <sub>CC</sub> | 14  | —      | Positive Supply     |

## 4 Specifications

### 4.1 Absolute Maximum Ratings

over operating free-air temperature range (unless otherwise noted)<sup>(1)</sup>

|   |                           | MIN  | MAX | UNIT    |
|---|---------------------------|--|-----|---------|
| V <sub>CC</sub>                                   | Supply voltage            | -0.5   | 6   | V       |
| I <sub>IK</sub>                                   | Input clamp current       | (V <sub>I</sub> < 0 or V <sub>I</sub> > V <sub>CC</sub> ) <sup>1</sup> |     | ±20 mA  |
| I <sub>OK</sub>                                   | Output clamp current      | (V <sub>O</sub> < 0 or V <sub>O</sub> > V <sub>CC</sub> ) <sup>1</sup> |     | ±50 mA  |
| I <sub>O</sub>                                    | Continuous output current | (V <sub>O</sub> = 0 to V <sub>CC</sub> )                               |     | ±50 mA  |
| Continuous current through V <sub>CC</sub> or GND |                           |  |     | ±100 mA |
| T <sub>stg</sub>                                  | Storage temperature       | -65  | 150 | °C      |

(1) Stresses beyond those listed under *Absolute Maximum Ratings* may cause permanent damage to the device. These are stress ratings only, which do not imply functional operation of the device at these or any other conditions beyond those indicated under *Recommended Operating Conditions*. Exposure to absolute-maximum-rated conditions for extended periods may affect device reliability.

### 4.2 ESD Ratings

|                    |                         | VALUE   | UNIT    |
|--------------------|-------------------------|---|---------|
| V <sub>(ESD)</sub> | Electrostatic discharge | Human body model (HBM), per ANSI/ESDA/JEDEC JS-001, all pins <sup>1</sup> | ±2000 V |

(1) JEDEC document JEP155 states that 500-V HBM allows safe manufacturing with a standard ESD control process.

### 4.3 Recommended Operating Conditions

over recommended operating free-air temperature range (unless otherwise noted)<sup>(1)</sup>

|                 |                                    | TA = 25°C                        |                 | -40°C TO 85°C |                 | -55°C TO 125°C |                 | UNIT |
|-----------------|------------------------------------|----------------------------------|-----------------|---------------|-----------------|----------------|-----------------|------|
|                 |                                    | MIN                              | MAX             | MIN           | MAX             | MIN            | MAX             |      |
| V <sub>CC</sub> | Supply voltage                     | 1.5                              | 5.5             | 1.5           | 5.5             | 1.5            | 5.5             | V    |
| V <sub>IH</sub> | High-level input voltage           | V <sub>CC</sub> = 1.5 V          |                 | 1.2           |                 | 1.2            |                 | V    |
|                 |                                    | V <sub>CC</sub> = 3 V            |                 | 2.1           |                 | 2.1            |                 |      |
|                 |                                    | V <sub>CC</sub> = 5.5 V          |                 | 3.85          |                 | 3.85           |                 |      |
| V <sub>IL</sub> | Low-level input voltage            | V <sub>CC</sub> = 1.5 V          |                 | 0.3           |                 | 0.3            |                 | V    |
|                 |                                    | V <sub>CC</sub> = 3 V            |                 | 0.9           |                 | 0.9            |                 |      |
|                 |                                    | V <sub>CC</sub> = 5.5 V          |                 | 1.65          |                 | 1.65           |                 |      |
| V <sub>I</sub>  | Input voltage                      | 0                                | V <sub>CC</sub> | 0             | V <sub>CC</sub> | 0              | V <sub>CC</sub> | V    |
| V <sub>O</sub>  | Output voltage                     | 0                                | V <sub>CC</sub> | 0             | V <sub>CC</sub> | 0              | V <sub>CC</sub> | V    |
| I <sub>OH</sub> | High-level output current          | V <sub>CC</sub> = 4.5 V to 5.5 V |                 | -24           |                 | -24            |                 | mA   |
| I <sub>OL</sub> | Low-level output current           | V <sub>CC</sub> = 4.5 V to 5.5 V |                 | 24            |                 | 24             |                 | mA   |
| Δt/Δv           | Input transition rise or fall rate | V <sub>CC</sub> = 1.5 V to 3 V   |                 | 50            |                 | 50             |                 | ns/V |
|                 |                                    | V <sub>CC</sub> = 3.6 V to 5.5 V |                 | 20            |                 | 20             |                 |      |

(1) All unused inputs of the device must be held at V<sub>CC</sub> or GND to ensure proper device operation. Refer to the TI application report, *Implications of Slow or Floating CMOS Inputs*, literature number SCBA004.

### 4.4 Thermal Information

| THERMAL METRIC <sup>(1)</sup> |  | CD74AC04 |          | UNIT |
|-------------------------------|--|----------|----------|------|
|                               |  | N (PDIP) | D (SOIC) |      |
|                               |  | 14 PINS  | 14 PINS  |      |
| R <sub>θJA</sub>              | Junction-to-ambient thermal resistance | 80       | 89.9     | °C/W |

(1) For more information about traditional and new thermal metrics, see the *IC Package Thermal Metrics* application report (SPRA953).

## 4.5 Electrical Characteristics

over recommended operating free-air temperature range (unless otherwise noted)

| PARAMETER       | TEST CONDITIONS                                     |   | V <sub>CC</sub> | TA = 25°C |      | -40°C TO 85°C |     | -55°C TO 125°C |     | UNIT |
|-----------------|---|---|-----------------|-----------|------|---------------|-----|----------------|-----|------|
|                 |   |   |                 | MIN       | MAX  | MIN           | MAX | MIN            | MAX |      |
| V <sub>OH</sub> | V <sub>I</sub> = V <sub>IH</sub> or V <sub>IL</sub> | I <sub>OH</sub> = -50 μA                | 1.5 V           | 1.4       | 1.4  | 1.4           |     |                | V   |      |
|                 |   |   | 3 V             | 2.9       | 2.9  | 2.9           |     |                |     |      |
|                 |   |   | 4.5 V           | 4.4       | 4.4  | 4.4           |     |                |     |      |
|                 |   | I <sub>OH</sub> = -4 mA                 | 3 V             | 2.58      | 2.48 | 2.4           |     |                |     |      |
|                 |   | I <sub>OH</sub> = -24 mA                | 4.5 V           | 3.94      | 3.8  | 3.7           |     |                |     |      |
|                 |   | I <sub>OH</sub> = -50 mA <sup>(1)</sup> | 5.5 V           |           |      | 3.85          |     |                |     |      |
|                 |   | I <sub>OH</sub> = -75 mA <sup>(1)</sup> | 5.5 V           |           | 3.85 |               |     |                |     |      |
| V <sub>OL</sub> | V <sub>I</sub> = V <sub>IH</sub> or V <sub>IL</sub> | I <sub>OL</sub> = 50 μA                 | 1.5 V           | 0.1       | 0.1  | 0.1           |     |                | V   |      |
|                 |   |   | 3 V             | 0.1       | 0.1  | 0.1           |     |                |     |      |
|                 |   |   | 4.5 V           | 0.1       | 0.1  | 0.1           |     |                |     |      |
|                 |   | I <sub>OL</sub> = 12 mA                 | 3 V             | 0.36      | 0.44 | 0.5           |     |                |     |      |
|                 |   | I <sub>OL</sub> = 24 mA                 | 4.5 V           | 0.36      | 0.44 | 0.5           |     |                |     |      |
|                 |   | I <sub>OL</sub> = 50 mA <sup>(1)</sup>  | 5.5 V           |           |      | 1.65          |     |                |     |      |
|                 |   | I <sub>OL</sub> = 75 mA <sup>(1)</sup>  | 5.5 V           |           | 1.65 |               |     |                |     |      |
| I <sub>I</sub>  | V <sub>I</sub> = V <sub>CC</sub> or GND             |   | 5.5 V           | ±0.1      | ±1   | ±1            |     |                | μA  |      |
| I <sub>CC</sub> | V <sub>I</sub> = V <sub>CC</sub> or GND,            | I <sub>O</sub> = 0                      | 5.5 V           | 4         | 40   | 80            |     |                | μA  |      |
| C <sub>i</sub>  |   |   |                 | 10        | 10   | 10            |     |                | PF  |      |

(1) Test one output at a time, not exceeding 1-second duration. Measurement is made by forcing indicated current and measuring voltage to minimize power dissipation. Test verifies a minimum 50-Ω transmission-line drive capability at 85°C and 75-Ω transmission-line drive capability at 125°C.

## 4.6 Switching Characteristics, V<sub>CC</sub> = 1.5 V

over recommended operating free-air temperature range, V<sub>CC</sub> = 1.5 V, C<sub>L</sub> = 50 pF (unless otherwise noted) (see [Load Circuit and Voltage Waveforms](#))

| PARAMETER        | FROM (INPUT) | TO (OUTPUT) | -40°C TO 85°C |     | -55°C TO 125°C |     | UNIT |
|------------------|--------------|-------------|---------------|-----|----------------|-----|------|
|                  |              |             | MIN           | MAX | MIN            | MAX |      |
| t <sub>PLH</sub> | A            | Y           |               | 74  |                | 81  | ns   |
| t <sub>PHL</sub> |              |             | 74            | 81  |                |     |      |

## 4.7 Switching Characteristics, V<sub>CC</sub> = 3.3 V ± 0.3 V

over recommended operating free-air temperature range, V<sub>CC</sub> = 3.3 V ± 0.3 V, C<sub>L</sub> = 50 pF (unless otherwise noted) (see [Load Circuit and Voltage Waveforms](#))

| PARAMETER        | FROM (INPUT) | TO (OUTPUT) | -40°C TO 85°C |     | -55°C TO 125°C |     | UNIT |
|------------------|--------------|-------------|---------------|-----|----------------|-----|------|
|                  |              |             | MIN           | MAX | MIN            | MAX |      |
| t <sub>PLH</sub> | A            | Y           | 2.3           | 8.3 | 2.3            | 9.1 | ns   |
| t <sub>PHL</sub> |              |             | 2.3           | 8.3 | 2.3            | 9.1 |      |

#### 4.8 Switching Characteristics, $V_{CC} = 5\text{ V} \pm 0.5\text{ V}$

over recommended operating free-air temperature range,  $V_{CC} = 5\text{ V} \pm 0.5\text{ V}$ ,  $C_L = 50\text{ pF}$  (unless otherwise noted) (see [Load Circuit and Voltage Waveforms](#))

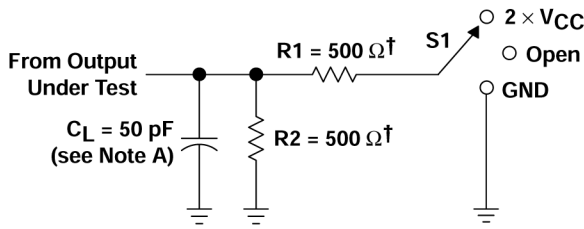
| PARAMETER | FROM (INPUT) | TO (OUTPUT) | -40°C TO 85°C |     | -55°C TO 125°C |     | UNIT |
|-----------|--------------|-------------|---------------|-----|----------------|-----|------|
|           |              |             | MIN           | MAX | MIN            | MAX |      |
| $t_{PLH}$ | A            | Y           | 1.7           | 5.9 | 1.6            | 6.5 | ns   |
| $t_{PHL}$ |              |             | 1.7           | 5.9 | 1.6            | 6.5 |      |

#### 4.9 Operating Characteristics

$V_{CC} = 5\text{ V}$ ,  $T_A = 25^\circ\text{C}$

| PARAMETER                              | TYP | UNIT |
|--|-----|------|
| $C_{pd}$ Power dissipation capacitance | 105 | pF   |

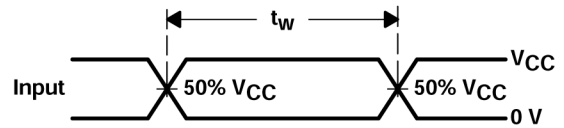
## 5 Parameter Measurement Information



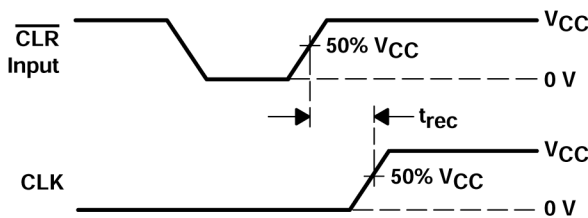
† When  $V_{CC} = 1.5\text{ V}$ ,  $R1 = R2 = 1\text{ k}\Omega$

LOAD CIRCUIT

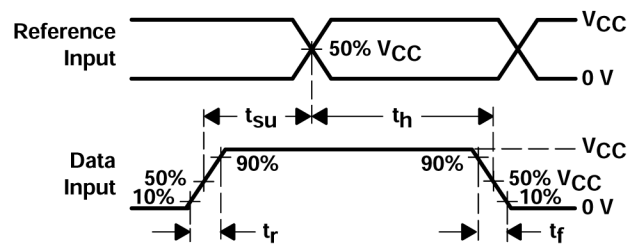
| TEST              | S1                |
|-------------------|-------------------|
| $t_{PLH}/t_{PHL}$ | Open              |
| $t_{PLZ}/t_{PZL}$ | $2 \times V_{CC}$ |
| $t_{PHZ}/t_{PZH}$ | GND               |



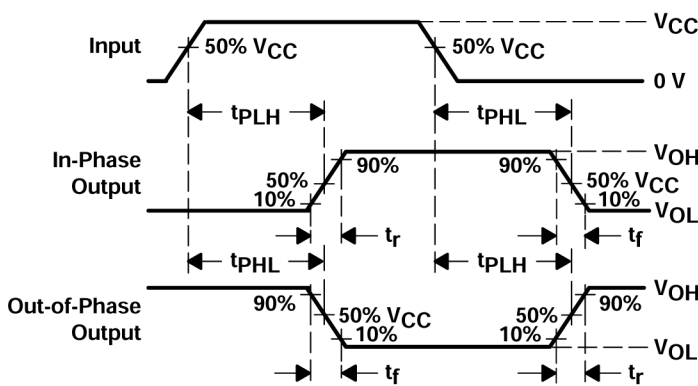
VOLTAGE WAVEFORMS  
PULSE DURATION



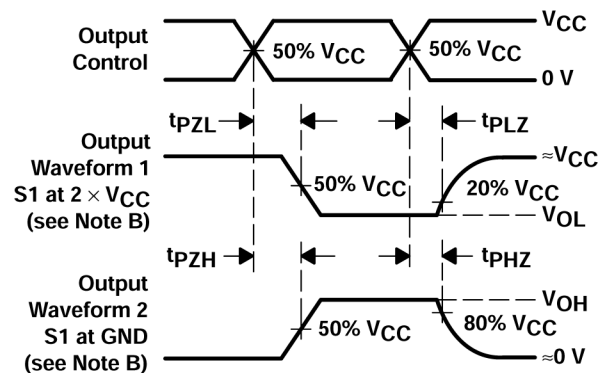
VOLTAGE WAVEFORMS  
RECOVERY TIME



VOLTAGE WAVEFORMS  
SETUP AND HOLD AND INPUT RISE AND FALL TIMES



VOLTAGE WAVEFORMS  
PROPAGATION DELAY AND OUTPUT TRANSITION TIMES



VOLTAGE WAVEFORMS  
OUTPUT ENABLE AND DISABLE TIMES

- $C_L$  includes probe and test-fixture capacitance.
- Waveform 1 is for an output with internal conditions such that the output is low except when disabled by the output control. Waveform 2 is for an output with internal conditions such that the output is high except when disabled by the output control.
- All input pulses are supplied by generators having the following characteristics:  $PRR \leq 1\text{ MHz}$ ,  $Z_O = 50\ \Omega$ ,  $t_r = 3\text{ ns}$ ,  $t_f = 3\text{ ns}$ . Phase relationships between waveforms are arbitrary.
- For clock inputs,  $f_{max}$  is measured with the input duty cycle at 50%.
- The outputs are measured one at a time with one input transition per measurement.
- $t_{PLH}$  and  $t_{PHL}$  are the same as  $t_{pd}$ .
- $t_{PZL}$  and  $t_{PZH}$  are the same as  $t_{en}$ .
- $t_{PLZ}$  and  $t_{PHZ}$  are the same as  $t_{dis}$ .

Figure 5-1. Load Circuit and Voltage Waveforms

## 6 Detailed Description

### 6.1 Functional Block Diagram



Logic Diagram (Positive Logic)

### 6.2 Device Functional Modes

Table 6-1. Function Table lists the function modes of the CDx4AC04

| INPUT | OUTPUT |
|-------|--------|
| A     | Y      |
| H     | L      |
| L     | H      |



## 7 Application and Implementation

### Note

Information in the following applications sections is not part of the TI component specification, and TI does not warrant its accuracy or completeness. TI's customers are responsible for determining suitability of components for their purposes, as well as validating and testing their design implementation to confirm system functionality.

### 7.1 Power Supply Recommendations

The power supply can be any voltage between the MIN and MAX supply voltage rating located in the [Section 4.3](#) table.

Each  $V_{CC}$  pin should have a good bypass capacitor to prevent power disturbance. For devices with a single supply, 0.1  $\mu\text{F}$  is recommended. If there are multiple  $V_{CC}$  pins, 0.01  $\mu\text{F}$  or 0.022  $\mu\text{F}$  is recommended for each power pin. It is acceptable to parallel multiple bypass caps to reject different frequencies of noise. A 0.1  $\mu\text{F}$  and 1  $\mu\text{F}$  are commonly used in parallel. The bypass capacitor should be installed as close to the power pin as possible for best results.

### 7.2 Layout

#### 7.2.1 Layout Guidelines

When using multiple bit logic devices, inputs should not float. In many cases, functions or parts of functions of digital logic devices are unused. Some examples are when only two inputs of a triple-input AND gate are used, or when only 3 of the 4-buffer gates are used. Such input pins should not be left unconnected because the undefined voltages at the outside connections result in undefined operational states.

Specified in [Layout Example](#) are rules that must be observed under all circumstances. All unused inputs of digital logic devices must be connected to a high or low bias to prevent them from floating. The logic level that should be applied to any particular unused input depends on the function of the device. Generally they will be tied to GND or  $V_{CC}$ , whichever makes more sense or is more convenient. It is acceptable to float outputs unless the part is a transceiver. If the transceiver has an output enable pin, it will disable the outputs section of the part when asserted. This will not disable the input section of the I/Os so they also cannot float when disabled.

##### 7.2.1.1 Layout Example

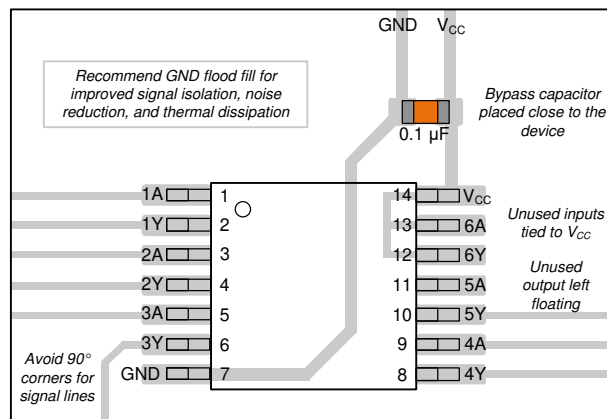


Figure 7-1. Layout Diagram

## 8 Device and Documentation Support

### 8.1 Documentation Support (Analog)

#### 8.1.1 Related Documentation

The table below lists quick access links. Categories include technical documents, support and community resources, tools and software, and quick access to sample or buy.

**Table 8-1. Related Links**

| PARTS    | PRODUCT FOLDER             | SAMPLE & BUY               | TECHNICAL DOCUMENTS        | TOOLS & SOFTWARE           | SUPPORT & COMMUNITY        |
|----------|----------------------------|----------------------------|----------------------------|----------------------------|----------------------------|
| CD54AC04 | <a href="#">Click here</a> | <a href="#">Click here</a> | <a href="#">Click here</a> | <a href="#">Click here</a> | <a href="#">Click here</a> |
| CD74AC04 | <a href="#">Click here</a> | <a href="#">Click here</a> | <a href="#">Click here</a> | <a href="#">Click here</a> | <a href="#">Click here</a> |

### 8.2 Receiving Notification of Documentation Updates

To receive notification of documentation updates, navigate to the device product folder on [ti.com](http://ti.com). Click on *Notifications* to register and receive a weekly digest of any product information that has changed. For change details, review the revision history included in any revised document.

### 8.3 Support Resources

TI E2E™ [support forums](#) are an engineer's go-to source for fast, verified answers and design help — straight from the experts. Search existing answers or ask your own question to get the quick design help you need.

Linked content is provided "AS IS" by the respective contributors. They do not constitute TI specifications and do not necessarily reflect TI's views; see TI's [Terms of Use](#).

### 8.4 Trademarks

TI E2E™ is a trademark of Texas Instruments.

All trademarks are the property of their respective owners.

### 8.5 Electrostatic Discharge Caution



This integrated circuit can be damaged by ESD. Texas Instruments recommends that all integrated circuits be handled with appropriate precautions. Failure to observe proper handling and installation procedures can cause damage.

ESD damage can range from subtle performance degradation to complete device failure. Precision integrated circuits may be more susceptible to damage because very small parametric changes could cause the device not to meet its published specifications.

### 8.6 Glossary

[TI Glossary](#) This glossary lists and explains terms, acronyms, and definitions.

## 9 Revision History

| Changes from Revision D (July 2023) to Revision E (August 2024)       | Page |
|---|------|
| • Added package size to <i>Device Information</i> table.....          | 1    |
| • Changed packages from E and M to N and D throughout data sheet..... | 1    |
| • Updated RθJA values: D = 86 to 89.9, all values in °C/W.....        | 4    |
| • Updated <i>Layout Example</i> image.....                            | 9    |

---

**Changes from Revision C (June 2002) to Revision D (July 2023)**

**Page**

- Added *Package Information* table, *Pin Functions* table, *ESD Ratings* table, *Thermal Information* table, *Device Functional Modes*, *Device and Documentation Support* section, and *Mechanical, Packaging, and Orderable Information* section ..... **1**
- 

## **10 Mechanical, Packaging, and Orderable Information**

The following pages include mechanical, packaging, and orderable information. This information is the most current data available for the designated devices. This data is subject to change without notice and revision of this document. For browser-based versions of this data sheet, refer to the left-hand navigation.

**PACKAGING INFORMATION**

| Orderable Device | Status<br>(1) | Package Type | Package Drawing | Pins | Package Qty | Eco Plan<br>(2)     | Lead finish/<br>Ball material<br>(6) | MSL Peak Temp<br>(3) | Op Temp (°C) | Device Marking<br>(4/5) | Samples                 |
|------------------|---------------|--------------|-----------------|------|-------------|---------------------|--------------------------------------|----------------------|--------------|-------------------------|-------------------------|
| CD54AC04F3A      | ACTIVE        | CDIP         | J               | 14   | 25          | Non-RoHS<br>& Green | SNPB                                 | N / A for Pkg Type   | -55 to 125   | CD54AC04F3A             | <a href="#">Samples</a> |
| CD74AC04E        | ACTIVE        | PDIP         | N               | 14   | 25          | RoHS & Green        | NIPDAU                               | N / A for Pkg Type   | -55 to 125   | CD74AC04E               | <a href="#">Samples</a> |
| CD74AC04M        | OBSOLETE      | SOIC         | D               | 14   |             | TBD                 | Call TI                              | Call TI              | -55 to 125   | AC04M                   |                         |
| CD74AC04M96      | ACTIVE        | SOIC         | D               | 14   | 2500        | RoHS & Green        | NIPDAU                               | Level-1-260C-UNLIM   | -55 to 125   | AC04M                   | <a href="#">Samples</a> |

(1) The marketing status values are defined as follows:

**ACTIVE:** Product device recommended for new designs.

**LIFEBUY:** TI has announced that the device will be discontinued, and a lifetime-buy period is in effect.

**NRND:** Not recommended for new designs. Device is in production to support existing customers, but TI does not recommend using this part in a new design.

**PREVIEW:** Device has been announced but is not in production. Samples may or may not be available.

**OBSOLETE:** TI has discontinued the production of the device.

(2) **RoHS:** TI defines "RoHS" to mean semiconductor products that are compliant with the current EU RoHS requirements for all 10 RoHS substances, including the requirement that RoHS substance do not exceed 0.1% by weight in homogeneous materials. Where designed to be soldered at high temperatures, "RoHS" products are suitable for use in specified lead-free processes. TI may reference these types of products as "Pb-Free".

**RoHS Exempt:** TI defines "RoHS Exempt" to mean products that contain lead but are compliant with EU RoHS pursuant to a specific EU RoHS exemption.

**Green:** TI defines "Green" to mean the content of Chlorine (Cl) and Bromine (Br) based flame retardants meet JS709B low halogen requirements of <=1000ppm threshold. Antimony trioxide based flame retardants must also meet the <=1000ppm threshold requirement.

(3) MSL, Peak Temp. - The Moisture Sensitivity Level rating according to the JEDEC industry standard classifications, and peak solder temperature.

(4) There may be additional marking, which relates to the logo, the lot trace code information, or the environmental category on the device.

(5) Multiple Device Markings will be inside parentheses. Only one Device Marking contained in parentheses and separated by a "~" will appear on a device. If a line is indented then it is a continuation of the previous line and the two combined represent the entire Device Marking for that device.

(6) Lead finish/Ball material - Orderable Devices may have multiple material finish options. Finish options are separated by a vertical ruled line. Lead finish/Ball material values may wrap to two lines if the finish value exceeds the maximum column width.

**Important Information and Disclaimer:** The information provided on this page represents TI's knowledge and belief as of the date that it is provided. TI bases its knowledge and belief on information provided by third parties, and makes no representation or warranty as to the accuracy of such information. Efforts are underway to better integrate information from third parties. TI has taken and

continues to take reasonable steps to provide representative and accurate information but may not have conducted destructive testing or chemical analysis on incoming materials and chemicals. TI and TI suppliers consider certain information to be proprietary, and thus CAS numbers and other limited information may not be available for release.

In no event shall TI's liability arising out of such information exceed the total purchase price of the TI part(s) at issue in this document sold by TI to Customer on an annual basis.

**OTHER QUALIFIED VERSIONS OF CD54AC04, CD74AC04 :**

- Catalog : [CD74AC04](#)
- Military : [CD54AC04](#)

NOTE: Qualified Version Definitions:

- Catalog - TI's standard catalog product
- Military - QML certified for Military and Defense Applications

**TAPE AND REEL INFORMATION**

**QUADRANT ASSIGNMENTS FOR PIN 1 ORIENTATION IN TAPE**


\*All dimensions are nominal

| Device      | Package Type | Package Drawing | Pins | SPQ  | Reel Diameter (mm) | Reel Width W1 (mm) | A0 (mm) | B0 (mm) | K0 (mm) | P1 (mm) | W (mm) | Pin1 Quadrant |
|-------------|--------------|-----------------|------|------|--------------------|--------------------|---------|---------|---------|---------|--------|---------------|
| CD74AC04M96 | SOIC         | D               | 14   | 2500 | 330.0              | 16.4               | 6.5     | 9.0     | 2.1     | 8.0     | 16.0   | Q1            |
| CD74AC04M96 | SOIC         | D               | 14   | 2500 | 330.0              | 16.4               | 6.5     | 9.0     | 2.1     | 8.0     | 16.0   | Q1            |

**TAPE AND REEL BOX DIMENSIONS**


\*All dimensions are nominal

| Device      | Package Type | Package Drawing | Pins | SPQ  | Length (mm) | Width (mm) | Height (mm) |
|-------------|--------------|-----------------|------|------|-------------|------------|-------------|
| CD74AC04M96 | SOIC         | D               | 14   | 2500 | 353.0       | 353.0      | 32.0        |
| CD74AC04M96 | SOIC         | D               | 14   | 2500 | 356.0       | 356.0      | 35.0        |

**TUBE**


\*All dimensions are nominal

| Device    | Package Name | Package Type | Pins | SPQ | L (mm) | W (mm) | T (μm) | B (mm) |
|-----------|--------------|--------------|------|-----|--------|--------|--------|--------|
| CD74AC04E | N            | PDIP         | 14   | 25  | 506    | 13.97  | 11230  | 4.32   |
| CD74AC04E | N            | PDIP         | 14   | 25  | 506    | 13.97  | 11230  | 4.32   |



J 14

**GENERIC PACKAGE VIEW**  
**CDIP - 5.08 mm max height**  
CERAMIC DUAL IN LINE PACKAGE



Images above are just a representation of the package family, actual package may vary.  
Refer to the product data sheet for package details.

4040083-5/G

J0014A



# PACKAGE OUTLINE

CDIP - 5.08 mm max height

CERAMIC DUAL IN LINE PACKAGE



4214771/A 05/2017

NOTES:

1. All controlling linear dimensions are in inches. Dimensions in brackets are in millimeters. Any dimension in brackets or parenthesis are for reference only. Dimensioning and tolerancing per ASME Y14.5M.
2. This drawing is subject to change without notice.
3. This package is hermetically sealed with a ceramic lid using glass frit.
4. Index point is provided on cap for terminal identification only and on press ceramic glass frit seal only.
5. Falls within MIL-STD-1835 and GDIP1-T14.

# EXAMPLE BOARD LAYOUT

J0014A

CDIP - 5.08 mm max height

CERAMIC DUAL IN LINE PACKAGE



LAND PATTERN EXAMPLE  
NON-SOLDER MASK DEFINED  
SCALE: 5X



4214771/A 05/2017

D (R-PDSO-G14)

PLASTIC SMALL OUTLINE



- NOTES:
- A. All linear dimensions are in inches (millimeters).
  - B. This drawing is subject to change without notice.
  - $\triangle C$  Body length does not include mold flash, protrusions, or gate burrs. Mold flash, protrusions, or gate burrs shall not exceed 0.006 (0,15) each side.
  - $\triangle D$  Body width does not include interlead flash. Interlead flash shall not exceed 0.017 (0,43) each side.
  - E. Reference JEDEC MS-012 variation AB.

D (R-PDSO-G14)

PLASTIC SMALL OUTLINE



4211283-3/E 08/12

- NOTES:
- All linear dimensions are in millimeters.
  - This drawing is subject to change without notice.
  - Publication IPC-7351 is recommended for alternate designs.
  - Laser cutting apertures with trapezoidal walls and also rounding corners will offer better paste release. Customers should contact their board assembly site for stencil design recommendations. Refer to IPC-7525 for other stencil recommendations.
  - Customers should contact their board fabrication site for solder mask tolerances between and around signal pads.

N (R-PDIP-T\*\*)

PLASTIC DUAL-IN-LINE PACKAGE

16 PINS SHOWN



- NOTES:
- A. All linear dimensions are in inches (millimeters).
  - B. This drawing is subject to change without notice.
  - Falls within JEDEC MS-001, except 18 and 20 pin minimum body length (Dim A).
  - The 20 pin end lead shoulder width is a vendor option, either half or full width.

## IMPORTANT NOTICE AND DISCLAIMER

TI PROVIDES TECHNICAL AND RELIABILITY DATA (INCLUDING DATA SHEETS), DESIGN RESOURCES (INCLUDING REFERENCE DESIGNS), APPLICATION OR OTHER DESIGN ADVICE, WEB TOOLS, SAFETY INFORMATION, AND OTHER RESOURCES "AS IS" AND WITH ALL FAULTS, AND DISCLAIMS ALL WARRANTIES, EXPRESS AND IMPLIED, INCLUDING WITHOUT LIMITATION ANY IMPLIED WARRANTIES OF MERCHANTABILITY, FITNESS FOR A PARTICULAR PURPOSE OR NON-INFRINGEMENT OF THIRD PARTY INTELLECTUAL PROPERTY RIGHTS.

These resources are intended for skilled developers designing with TI products. You are solely responsible for (1) selecting the appropriate TI products for your application, (2) designing, validating and testing your application, and (3) ensuring your application meets applicable standards, and any other safety, security, regulatory or other requirements.

These resources are subject to change without notice. TI grants you permission to use these resources only for development of an application that uses the TI products described in the resource. Other reproduction and display of these resources is prohibited. No license is granted to any other TI intellectual property right or to any third party intellectual property right. TI disclaims responsibility for, and you will fully indemnify TI and its representatives against, any claims, damages, costs, losses, and liabilities arising out of your use of these resources.

TI's products are provided subject to [TI's Terms of Sale](#) or other applicable terms available either on [ti.com](https://www.ti.com) or provided in conjunction with such TI products. TI's provision of these resources does not expand or otherwise alter TI's applicable warranties or warranty disclaimers for TI products.

TI objects to and rejects any additional or different terms you may have proposed.

Mailing Address: Texas Instruments, Post Office Box 655303, Dallas, Texas 75265  
Copyright © 2024, Texas Instruments Incorporated