

## DLPA100 Power Management and Motor Driver

### 1 Features

- 3.3-V Switching Regulator - Logic Supply
- 5-V Switching Regulator with Enable - Analog Circuit Power Supply
- 1.0 V to 3.3 V Adjustable Switching Regulator - Core Supply
- Adjustable Linear Regulator with Enable - PLL Supply
- Adjustable Linear Regulator Control with Enable - Analog Supply
- 2.5-V Switching Regulator Digital Supply
- Power Supply Sequencing Control
- Power Supervisory Circuits
- Integrated Charge Pump for High Side Drive
- Three Fan Drivers
- Thermal Shutdown Circuitry
- Serial Communications Interface
- 3-phase Back Electromotive Force (BEMF) Motor Driver/Controller
- Motor Supply Switching Regulator

### 2 Applications

- 4K Ultra High Definition (UHD) Display
- Laser TV
- Digital Signage
- Projection Mapping

### 3 Description

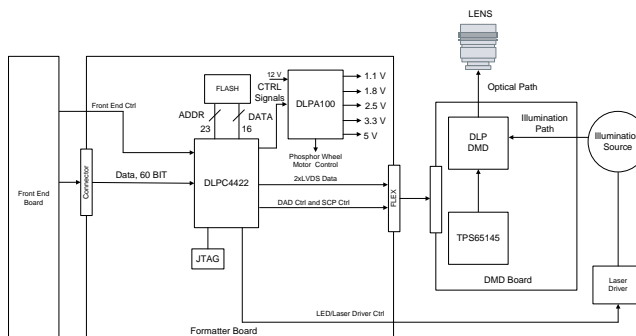
DLPA100 is a dedicated power management and motor control driver device for the DLP® 4K UHD TRP display chipset. The DLPA100, together with the DLP660TE digital micromirror device and DLPC4422 display controller, comprise the chipset. This solution is a great fit for display systems that require high resolution, high brightness and system simplicity. To ensure reliable operation, the DLP660TE DMD and the DLPC4422 display controller must always be used with the DLPA100 power management and motor driver device.

#### Device Information<sup>(1)</sup>

PART NUMBER	PACKAGE	BODY SIZE (NOM)
DLPA100	PT (48)	0.276 mm x 0.276 mm

(1) For all available packages, see the orderable addendum at the end of the data sheet.

**Figure 1. Typical Application Diagram**



## Table of Contents

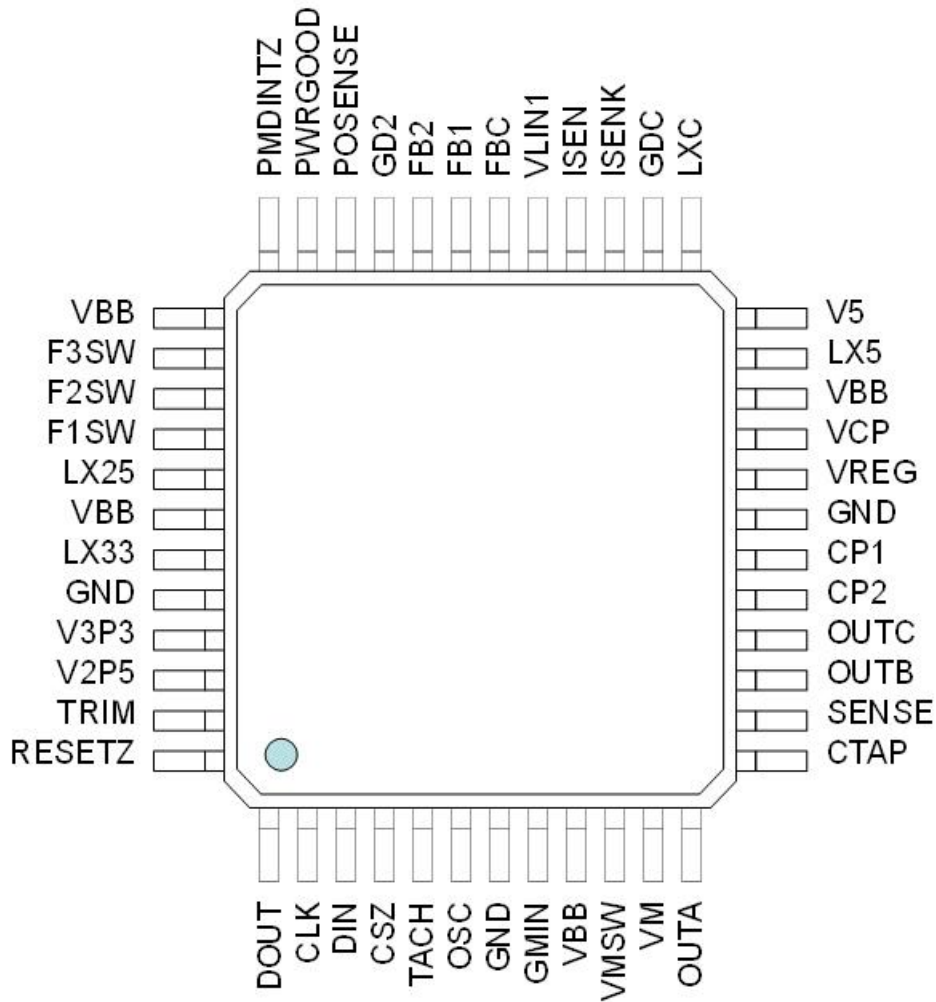
<p><b>1 Features</b> ..... 1</p> <p><b>2 Applications</b> ..... 1</p> <p><b>3 Description</b> ..... 1</p> <p><b>4 Revision History</b>..... 3</p> <p><b>5 Pin Configuration and Functions</b> ..... 4</p> <p><b>6 Specifications</b>..... 7</p> <p style="padding-left: 20px;">6.1 Absolute Maximum Ratings ..... 7</p> <p style="padding-left: 20px;">6.2 Storage Conditions..... 7</p> <p style="padding-left: 20px;">6.3 ESD Ratings ..... 7</p> <p style="padding-left: 20px;">6.4 Recommended Operating Conditions..... 7</p> <p style="padding-left: 20px;">6.5 Thermal Information ..... 7</p> <p style="padding-left: 20px;">6.6 Electrical Characteristics..... 8</p> <p><b>7 Detailed Description</b> ..... 11</p> <p style="padding-left: 20px;">7.1 Overview ..... 11</p> <p style="padding-left: 20px;">7.2 Functional Block Diagram ..... 11</p> <p style="padding-left: 20px;">7.3 Feature Description..... 12</p> <p style="padding-left: 20px;">7.4 Device Functional Modes..... 16</p> <p><b>8 Application and Implementation</b> ..... 17</p>	<p style="padding-left: 40px;">8.1 Application Information..... 17</p> <p style="padding-left: 40px;">8.2 Typical Application ..... 17</p> <p><b>9 Power Supply Recommendations</b>..... 19</p> <p><b>10 Layout</b>..... 20</p> <p style="padding-left: 20px;">10.1 Layout Guidelines ..... 20</p> <p style="padding-left: 20px;">10.2 Grounding Guidelines ..... 20</p> <p style="padding-left: 20px;">10.3 Thermal Guidelines ..... 22</p> <p style="padding-left: 20px;">10.4 Motor Control Guidelines ..... 22</p> <p style="padding-left: 20px;">10.5 Layout Example ..... 23</p> <p><b>11 Device and Documentation Support</b> ..... 24</p> <p style="padding-left: 20px;">11.1 Device Markings..... 24</p> <p style="padding-left: 20px;">11.2 Documentation Support ..... 24</p> <p style="padding-left: 20px;">11.3 Community Resources..... 24</p> <p style="padding-left: 20px;">11.4 Trademarks ..... 24</p> <p style="padding-left: 20px;">11.5 Electrostatic Discharge Caution..... 24</p> <p style="padding-left: 20px;">11.6 Glossary ..... 24</p> <p><b>12 Mechanical, Packaging, and Orderable Information</b> ..... 25</p> <p style="padding-left: 20px;">12.1 Package Option Addendum ..... 26</p>
------------------------------------------------------------------------------------------------------------------------------------------------------------------------------------------------------------------------------------------------------------------------------------------------------------------------------------------------------------------------------------------------------------------------------------------------------------------------------------------------------------------------------------------------------------------------------------------------------------------------------------------------------------------------------------------------------------------------------------------------------------------------------------------------------------------------------------------------------------------------------------------------------------------------------------------------------------------------------------------------------------------------------------------------------------------	------------------------------------------------------------------------------------------------------------------------------------------------------------------------------------------------------------------------------------------------------------------------------------------------------------------------------------------------------------------------------------------------------------------------------------------------------------------------------------------------------------------------------------------------------------------------------------------------------------------------------------------------------------------------------------------------------------------------------------------------------------------------------------------------------------------------------------------------------------------------------------------------------------------------------------------------------------------------------------------------------------------------------------------------------------------------------------------------------------------------------------------------------------------------------------------------------------------------

## 4 Revision History

DATE	REVISION	NOTES
	*	Initial release.

## 5 Pin Configuration and Functions

(PT package)  
(48 pin QFP)  
Top View



### Pin Functions

PIN		I/O	DESCRIPTION
NAME	NO.		
DOUT	1	Output	Data Out for Serial Port
CLK	2	Input	Clock for Serial Port
DIN	3	Input	Data In for Serial Port
CSZ	4	Input	Chip Select for Serial Port
TACH	5	Output	Motor Speed Indication
OSC	6	Input	Master Osc for Digital Timing – 2 MHz typical
GND	7	Ground	Ground
GMIN	8	Input	Motor Gm Input
VBB	9	Power	VBB Load Supply
VMSW	10	Output	Motor Supply Switching Node
VM	11	Input	Motor Supply INPUT/FB
OUTA	12	Output	Motor Phase A
CTAP	13	Input/Output	Motor Centertap
SENSE	14	Input	Motor Current Sensing
OUTB	15	Output	Motor Phase B
OUTC	16	Output	Motor Phase C
CP2	17	Power	Charge Pump
CP1	18	Power	Charge Pump
GND	19	Ground	Ground
VREG	20	Power	Internal Bias Regulator Terminal
VCP	21	Power	Charge Pump Reservoir Capacitor Terminal
VBB	22	Power	VBB Load Supply
LX5	23	Output	5V Regulator Switching Node
V5	24	Power Input	5V Feedback and Logic Supply Input
LXC	25	Power Output	Adjustable Core Regulator Switching Node
GDC	26	Power Output	Gate Drive for Core Regulator
ISENK	27	Input	Kelvin Sense for Core Regulator
ISEN	28	Input	Current Sense for Core Regulator
VLIN1	29	Power Output	VLIN1 Linear Regulator Output
FBC	30	Power Input	Adjustable Core Switching Regulator Feedback Node
FB1	31	Power Input	VLIN1 Adjustable Feedback Node
FB2	32	Power Input	VLIN2 Adjustable Feedback Node
GD2	33	Power Output	VLIN2 Linear Gate Drive Output
POSENSE	34	Output	Power On Reset Output
PWRGOOD	35	Output	Power Good Output
PMDINTZ	36	Output	Interrupt Flag
VBB	37	Power	Motor Supply Terminal
F3SW	38	Output	Fan 3 Switching Node Output
F2SW	39	Output	Fan 2 Switching Node Output
F1SW	40	Output	Fan 1 Switching Node Output
LX25	41	Power Output	2.5V Regulator Switching Node
VBB	42	Power	VBB Load Supply
LX33	43	Power Output	3.3V Regulator Switching Node
GND	44	Ground	Ground
V3P3	45	Power Input	3.3V Feedback
V2P5	46	Power Input	2.5V Feedback

**Pin Functions (continued)**

PIN		I/O	DESCRIPTION
NAME	NO.		
TRIM	47	Power	Trim Pin (must be tied to VREG)
RESETZ	48	Input	Forced Reset

## 6 Specifications

### 6.1 Absolute Maximum Ratings

over operating free-air temperature range (unless otherwise noted)<sup>(1)</sup>

PARAMETER		MIN	MAX	UNIT
V <sub>BB</sub>	Load Supply Voltage		15	V
t <sub>ramp</sub>	Time to ramp from 0V to V <sub>BB</sub>	200		μs
V <sub>x</sub>	LX33, LXC, LX5, OUTA, OUTB, OUTC	-1		V
V <sub>in</sub>	Logic Inputs (RESETZ, CLK, DIN, CSZ, OSC)	-0.3	7	V
V <sub>out</sub>	Open Drain Logic Outputs (PWRGOOD, DOUT, POSENSE, PMDINTZ, TACH)		7	V

(1) Stresses beyond those listed under *Absolute Maximum Ratings* may cause permanent damage to the device. These are stress ratings only, which do not imply functional operation of the device at these or any other conditions beyond those indicated under *Recommended Operating Conditions*. Exposure to absolute-maximum-rated conditions for extended periods may affect device reliability.

### 6.2 Storage Conditions

		MIN	MAX	UNIT
T <sub>stg</sub>	Storage temperature	-55	150	°C

### 6.3 ESD Ratings

		VALUE	UNIT
V <sub>(ESD)</sub>	Electrostatic discharge		
	Human-body model (HBM), per ANSI/ESDA/JEDEC JS-001 <sup>(1)</sup>	±2000	V
	Charged-device model (CDM), per JEDEC specification JESD22-C101 <sup>(2)</sup>	±1000	

(1) JEDEC document JEP155 states that 500-V HBM allows safe manufacturing with a standard ESD control process.

(2) JEDEC document JEP157 states that 250-V CDM allows safe manufacturing with a standard ESD control process.

### 6.4 Recommended Operating Conditions

over operating free-air temperature range (unless otherwise noted)

		MIN	NOM	MAX	UNIT
V <sub>BB</sub>	Load supply voltage			15	V
T <sub>a</sub>	Operational ambient temperature	0		75	°C
T <sub>j</sub>	Maximum Operational junction temperature			150	°C

### 6.5 Thermal Information

	THERMAL METRIC <sup>(1)</sup>	DLPA100	UNIT
		LQFP	
		48 PINS	
R <sub>θJA</sub>	Junction-to-ambient thermal resistance	23	°C/W
R <sub>θJC(top)</sub>	Junction-to-case (top) thermal resistance	2	°C/W

(1) For more information about traditional and new thermal metrics, see the [Semiconductor and IC Package Thermal Metrics](#) application report.

## 6.6 Electrical Characteristics

over operating free-air temperature range (unless otherwise noted)

PARAMETER		TEST CONDITIONS	MIN	TYP	MAX	UNIT
I <sub>BB1</sub>	Supply Current	Motors and fans off			26	mA
I <sub>BB2</sub>	Supply Current	All Regulators Operating, I <sub>load</sub> = 0 mA			36	mA
I <sub>BB3</sub>	Supply Current	x3 fans = 100% mode @ 200 mA load, VM = 100% mode @ 200 mA		2.7		A
<b>CONTROL LOGIC</b>						
V <sub>IL</sub>	Logic Input Voltage (RESETZ, CLK, DIN, CSZ, OSC)				0.8	V
V <sub>IH</sub>			2.0			V
I <sub>IL</sub>	Logic Input Current	V <sub>IN</sub> = 5	-20	<1.0	20	μA
I <sub>IH</sub>		V <sub>IN</sub> = 0	-20	<-1.0	20	μA
V <sub>low</sub>	Open Drain Logic Outputs (PWRGOOD, DOUT, POSENSE, PMDINTZ, TACH)	I = 4 mA			0.4	V
I <sub>out</sub>	Logic Output Leakage Current	V = 3.3 V			1	μA
<b>CHARGE PUMP</b>						
V <sub>CP</sub>	Output Voltage	Relative to V <sub>BB</sub>		7.25		V
V <sub>CP<sub>uvlo</sub></sub>	VCP Undervoltage			5.5		V
<b>SWITCHING REGULATORS</b>						
V <sub>5</sub>	Output Voltage V5	Average Voltage, I <sub>out</sub> = 0 mA to 1.6 A	4.75	5	5.25	V
R <sub>ds5</sub>	Buck Switch R <sub>ds(on)</sub>	T <sub>j</sub> = 25°C		150		mΩ
I <sub>cl5</sub>	Buck Switch Current Limit		2.8	3.4	4.0	A
F <sub>sw</sub>	Switching Frequency		450	500	525	kHz
t <sub>ss</sub>	Soft Start		3	5	7	ms
V <sub>33</sub>	Output Voltage V3P3	Average Voltage, I <sub>out</sub> = 0 mA to 1.6 A	3.168	3.3	3.432	V
R <sub>ds33</sub>	Buck Switch R <sub>ds(on)</sub>	T <sub>j</sub> = 25°C		300		mΩ
I <sub>cl33</sub>	Buck Switch Current Limit		2.4	2.8	3.4	A
F <sub>sw</sub>	Switching Frequency		450	500	525	kHz
t <sub>ss</sub>	Soft Start		3	5	7	ms
V <sub>core</sub>	Output Voltage V <sub>CORE</sub> Range		1.0		3.3	V
V <sub>c1</sub>	Output Voltage V <sub>CORE</sub>	Average Voltage, I <sub>out</sub> = 200 mA to 3.7 A, using 0.5% tolerance feedback resistors	-4.0		4.0	V
V <sub>c2</sub>	Output Voltage V <sub>CORE</sub>	Average Voltage, I <sub>out</sub> = 0 mA to 200 mA, using 0.5% tolerance feedback resistors	-4.0		6.0	V
I <sub>clc</sub>	Buck Switch Current Limit	I <sub>sense</sub> Resistor = 100 mΩ	4.8	5.5	6.5	A
T <sub>RISE</sub>	Gate Drive Rise Time	Cl = 500 pF, V <sub>gs</sub> = 7 V (10% to 90%)		40		ns
T <sub>FALL</sub>	Gate Drive Fall Time	Cl = 500 pF, V <sub>gs</sub> = 0 V (90% to 10%)		40		ns
F <sub>sw</sub>	Switching Frequency		450	500	525	kHz
t <sub>ss</sub>	Soft Start		3	5	7	ms
V <sub>25</sub>	Output Voltage V2P5	Average Voltage, I <sub>out</sub> = 0 mA to 1.2 A	2.4	2.5	2.6	V
R <sub>ds5</sub>	Buck Switch R <sub>ds(on)</sub>	T <sub>j</sub> = 25°C		300		mΩ
I <sub>cl5</sub>	Buck Switch Current Limit		1.7	2.1	2.5	A



## Electrical Characteristics (continued)

over operating free-air temperature range (unless otherwise noted)

PARAMETER		TEST CONDITIONS	MIN	TYP	MAX	UNIT
F <sub>sw</sub>	Switching Frequency		450	500	525	kHz
t <sub>ss</sub>	Soft Start		3	5	7	ms
<b>LINEAR REGULATORS</b>						
Output Voltage VLIN1 Range			1.0		3.3	V
V <sub>out</sub>	Output Voltage VLIN1	Average voltage relative to target, I <sub>load</sub> = 2 mA to 75 mA, using 0.5% tolerance feedback resistors	-3%		3%	
I <sub>LIM</sub>	VLIN1 Current Limit		100	150		mA
RR	Ripple rejection	f = 120 Hz, C <sub>out</sub> = 10 μF	60			dB
I <sub>FB</sub>	Feedback Input Bias Current		-400	-100	100	nA
t <sub>ss</sub>	Soft Start		3	5	7	ms
VLIN2 External FET Supply Voltage			1.7		5.5	V
Output Voltage VLIN2 Range			1.0		3.3	V
V <sub>out</sub>	Output Voltage VLIN1	Average voltage relative to target, I <sub>load</sub> = 10 mA to 1.2 mA, using 0.5% tolerance feedback resistors	-3%		3%	
RR	Ripple rejection	f = 120 Hz, C <sub>out</sub> = 10 μF	60			dB
I <sub>FB</sub>	Feedback Input Bias Current		-400	-100	100	nA
t <sub>ss</sub>	Soft Start		3	5	7	ms
<b>FAN CONTROLLERS</b>						
F <sub>pwm</sub>	PWM switching frequency	Controlled by DLPC4422 Software		100		kHz
F <sub>pwm</sub>	PWM switching frequency	Controlled by DLPC4422 Software		24		Hz
Duty Cycle LSB					500	ns
R <sub>ds</sub>	R <sub>dson</sub> Buck Switch	I = 200 mA		1		Ω
Current Limit			550		875	mA
Current Limit Blanking		Controlled by DLPC4422 Software		20		μs
<b>COLOR WHEEL SWITCHING REGULATOR SUPPLY</b>						
V <sub>M</sub>	Output Voltage	Average Voltage, I <sub>out</sub> = 0 mA to maximum programmed load current. Buck inductor = 33 μH	-5%		5%	
R <sub>ds</sub>	Buck Switch R <sub>dson</sub>	T <sub>j</sub> = 25°C		500		mΩ
I <sub>cl</sub>	Buck Switch Current Limit	relative to target programmed value	-20%	0%	20%	
T <sub>off</sub>	Fixed off-time	V <sub>M</sub> > 6 V		1.33		μs
T <sub>off</sub>	Fixed off-time	2.6 V < V <sub>M</sub> < 4.0 V		4.7		μs
T <sub>off</sub>	Fixed off-time	V <sub>M</sub> < 1.5 V		17		μs
t <sub>ss</sub>	Soft Start					
<b>COLOR WHEEL MOTOR DRIVER</b>						
P <sub>dm</sub>	Power Dissipation				1.0	W
R <sub>dson</sub>	Source Driver R <sub>dson</sub>	I = 1 A		400	600	mΩ
R <sub>dson</sub>	Sink Driver	I = 1 A		500	700	mΩ
I <sub>m</sub>	Drive Current				1.4	A
I <sub>b</sub>	Brake Current				2.5	A

**Electrical Characteristics (continued)**

over operating free-air temperature range (unless otherwise noted)

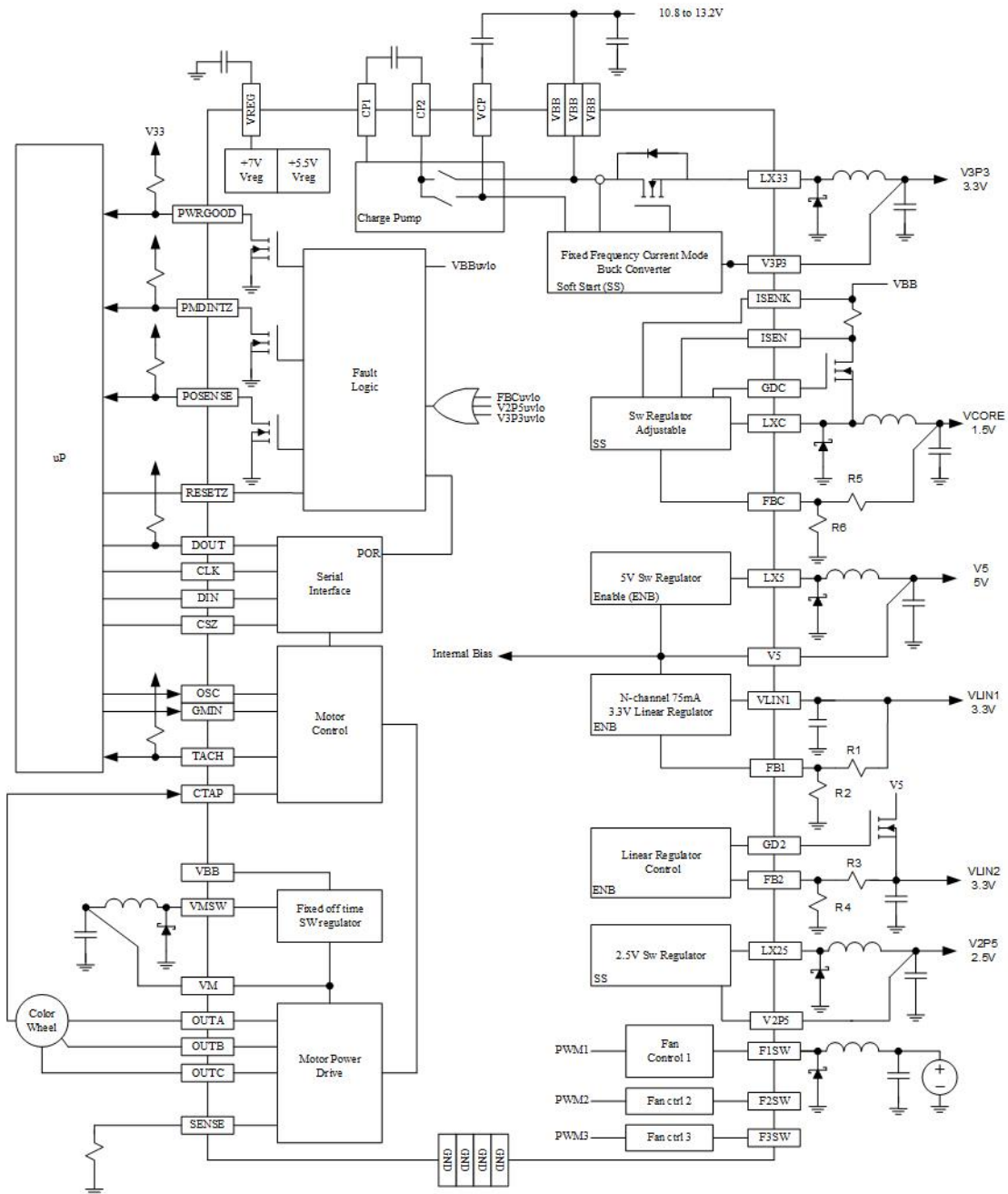
PARAMETER		TEST CONDITIONS	MIN	TYP	MAX	UNIT
Tb	Brake Period	For brake current to change from maximum value (2.5 A) to the maximum drive current (1.4 A)			800	ms
Kgm	Gm Constant	Controlled by DLPC4422 Software		125		
		Controlled by DLPC4422 Software		250		
Vos	Offset			0.5		V
	Bemf Comp Hysteresis	Vctap = 1.5 V to 6 V	5	20	35	mV
Fosc	OSC (Motor Oscillator)				5	MHz
Th	OSC High Period		100			ns
TI	OSC Low Period		100			ns
<b>MOTOR CHARACTERISTICS</b>						
Rload	Load Resistance	Phase to Phase	1.5		15	Ω
#	Poles		4	12	16	Poles
	Speed	Poles = 12 or 16	2880	7200	11160	rpm
		Poles = 4 or 8	2880	7200	14880	rpm
	Commutation Period - (60/[Speed(rpm) × 3 × #Poles])	4-Pole at 2880 rpm			1736	μs
		16-Pole at 11160 rpm	112			μs
L/R	Time Constant - Phase to Phase inductance divided by Phase-to-Phase resistance	4-Pole at 14880 rpm			112	μs
		8-Pole at 14880 rpm			56	μs
		12-Pole at 11160 rpm			50	μs
		16-Pole at 11160 rpm			37	μs

## 7 Detailed Description

### 7.1 Overview

The DLPA100 is a power management and motor driver IC optimized for DLP video and data display systems and meant for use in either embedded or accessory projector applications. DLPA100 is part of the chipset comprising of the DLP660TE DMD and DLPC4422 controller.

### 7.2 Functional Block Diagram

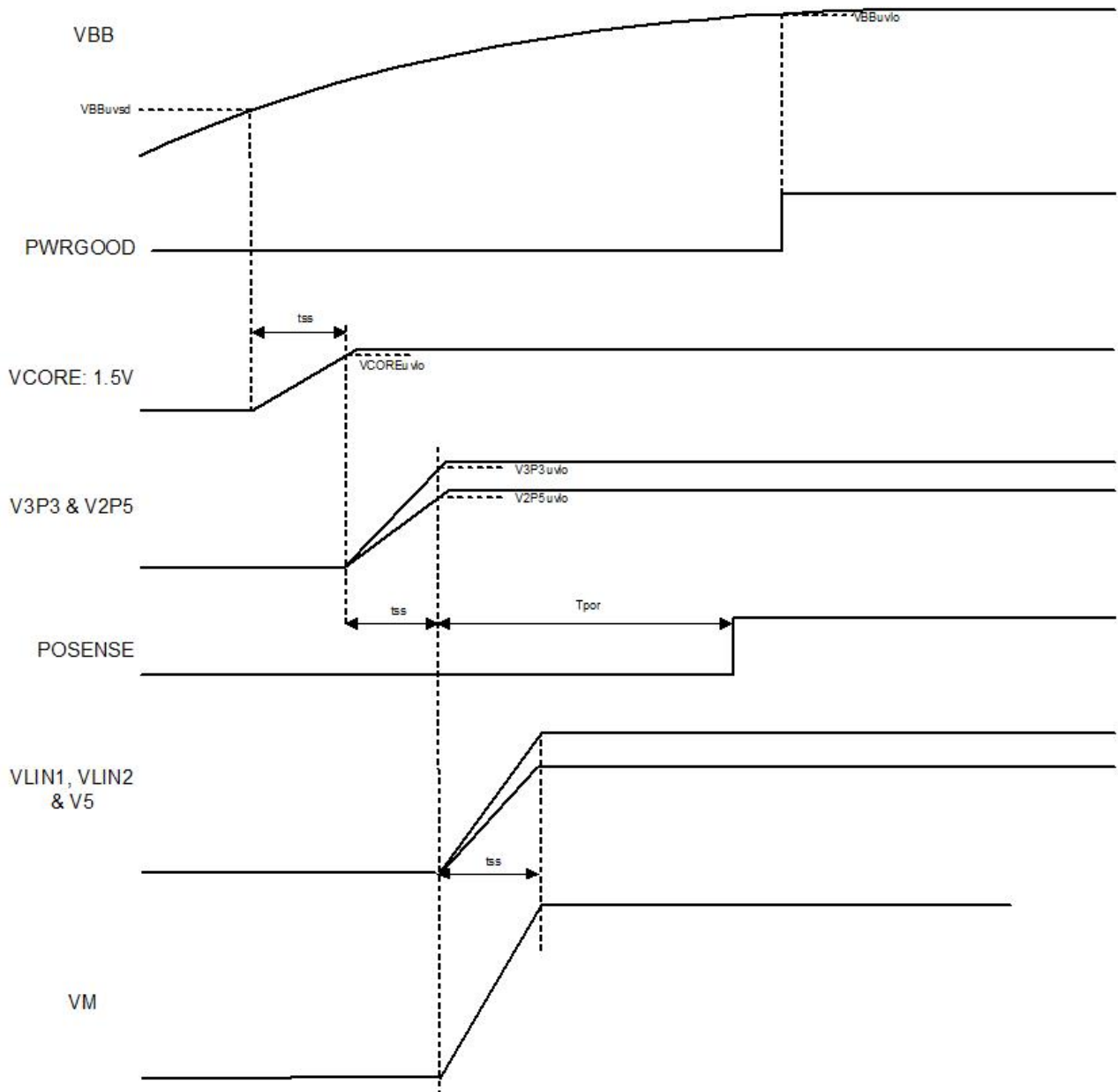


## 7.3 Feature Description

### 7.3.1 Power Up Sequencing

Once the VBB voltage reaches the  $VBB_{uv\text{sd}}$  threshold (specification defined in [Shutdown](#)), the VCORE channel soft-starts within a period of 5 ms typical ( $t_{ss}$ ). Once this period is completed and the  $VCORE_{uv\text{lo}}$  has been reached, the V3P3 and V2P5 rails soft-start, ramping up ratiometrically. Once each of the three rails are above their respective undervoltage lockout levels ( $VCORE_{uv\text{lo}}$ ,  $V3P3_{uv\text{lo}}$ ,  $V2P5_{uv\text{lo}}$ ), the POSENSE flag will go high after a period of 150 ms typical ( $T_{por}$ ) and also, the VLIN1, VLIN2, V5 and VM rails soft-start, ramping up ratiometrically. Note that VLIN1, VLIN2, V5 and VM can be individually disabled via the serial port, although VLIN1 and VLIN2 require V5 to be present.

The PWRGOOD flag will go high once the POSENSE is high and the VBB voltage is above the undervoltage lockout threshold  $VBB_{uv\text{lo}}$ .



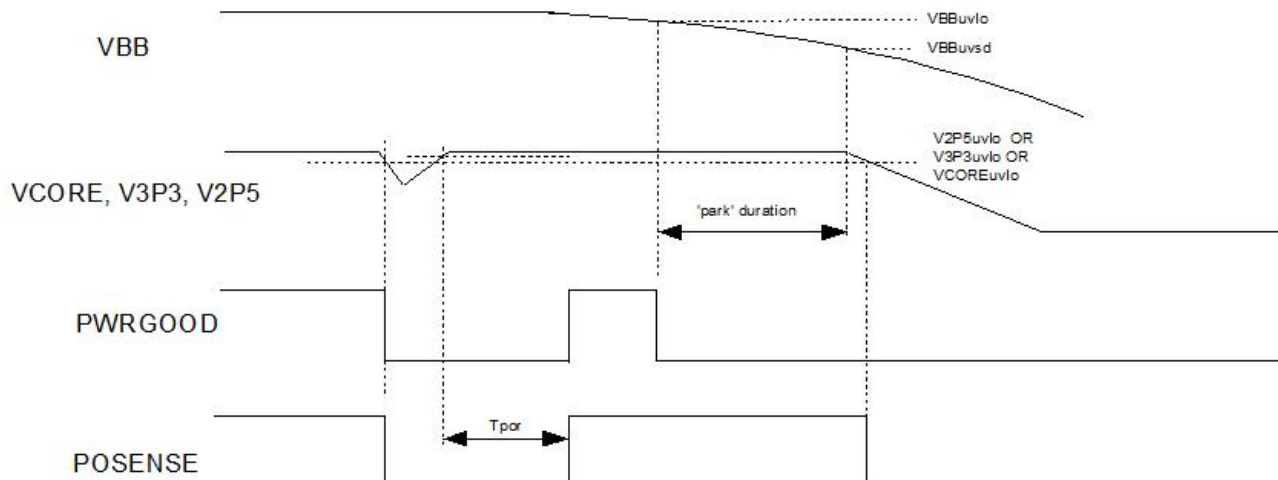
**Figure 2. Power Up Sequencing Timing Diagram**

## Feature Description (continued)

### 7.3.2 Power Down Sequencing

If VBB drops below the undervoltage level ( $VBB_{UVLO}$ ), the PWRGOOD will flag. If VBB drops below the undervoltage level ( $VBB_{UVSD}$ ), all the switcher and linear channels will turn off and the output rails will be supplied by the output filter capacitors. The duration between  $VBB_{UVLO}$  and  $VBB_{UVSD}$  allows sufficient 'hold up' time to 'park' the DMD mirrors. Although the regulators can supply rated current down to  $VBB_{UVSD}$ , they can only provide this power for a maximum of 0.5 ms.

If either of the rails: VCORE or V3P3 or V2P5 drop below their respective undervoltage levels, the POSENSE and PWRGOOD will flag immediately.



**Figure 3. Power Down Sequencing Timing Diagram**

### 7.3.3 Shutdown

In the event of a fault either due to excessive junction temperature, or low voltage on VCP, or low voltage on VREG, or low VBB voltage, each switcher and linear channel is disabled.

A low VBB voltage,  $VBB_{UVSD}$  in this case, shuts down the DLPA100, protecting it from excessive power dissipation. An undervoltage power monitoring flag, PWRGOOD is also provided, to indicate when the VBB voltage is operating in and out of normal operating range.

#### 7.3.3.1 Thermal

An overtemperature monitor provides a warning when the junction temperature reaches 130°C. The DLPA100 is protected from excessive temperatures by an internal circuit that will shut the device down immediately the junction temperature reaches 165°C. As soon as the temperature drops below the hysteresis level, the regulators will start-up again under soft-start control, assuming all other conditions are met (VCP, VBB etc.).

### 7.3.4 System Reset

The DLPA100 device can be reset by using the RESETZ input. This feature can be used during start-up conditions to reset the serial port registers to a known set of states. It can also be used during power-down conditions to disable certain features before complete shutdown occurs. The DLPC4422 display controller software controls which functions are reset to the power on reset (POR) state when RESETZ is initiated.

- MSKFAN: Masks the reset of the 3 fan drivers (POR state = disabled, PWM=0%).
- MSKREG: Masks the reset of linear regulators VLIN1 & VLIN2, and 5V switcher (POR state = enabled).
- MSKMOT: Masks the reset of the motor controller configuration registers (POR state = 0).
- MSKMOTE: Masks the reset of the motor controller output enable bit (POR state = disabled).

## Feature Description (continued)

### 7.3.5 Interrupt Logic

PMDINTZ is an active low open drain output that will be asserted if the DLPA100 goes into thermal shutdown at 165°C. The open drain output is held low by using the DLPA100 internal regulator even though the rest of the DLPA100 device is shut down. This internal regulator only depends on 12 V being operational to allow retention of the data in the latched status registers if any of the supplies are lost. PMDINTZ is primarily used as an interrupt to the DLP controller but can also be used to drive an LED overtemp indicator on the projector.

The thermal warning signal (TWARN) can also trigger an interrupt if enabled. Over-current events for the three DLP controller supplies can also cause PMDINTZ to go low. The DLP controller processor can clear or set PMDINTZ by writing to the latches that capture the interrupts. The DLP controller can also mask any of the interrupts (except TSD) via the enable interrupt register.

The raw status register can be read back in real time to monitor the fault condition. If the faults are present for a valid time, they will be latched into the latched status register.

### 7.3.6 Serial Communications Port

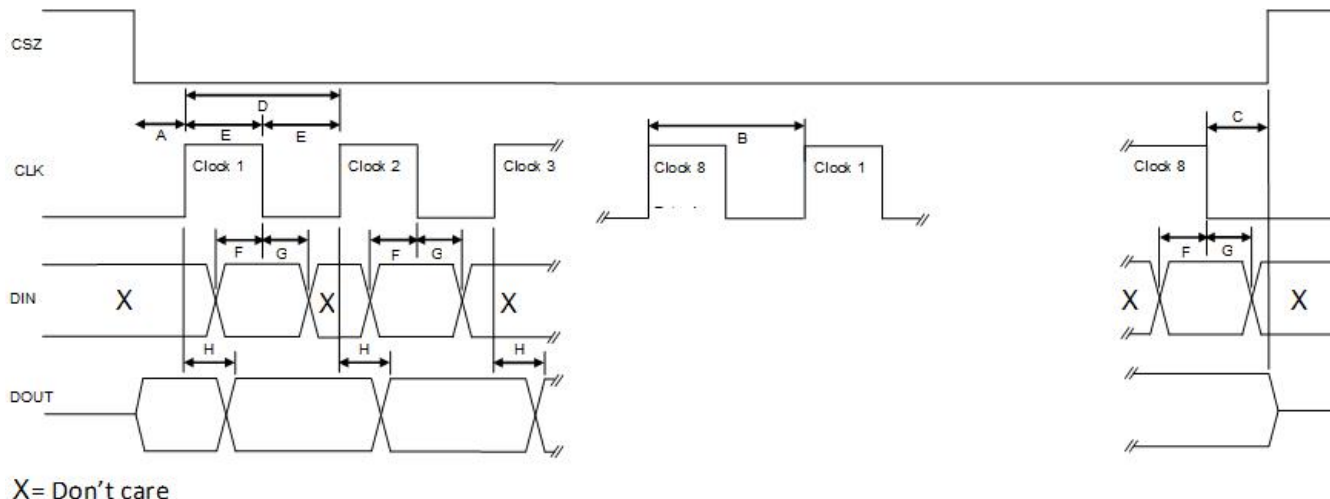
The Serial communications port (SCP) is a full duplex, synchronous, character-oriented byte port that allows exchange of data between the DLP controller (master) and the DLPA100.

**Table 1. Serial Communications Port Signal Definitions**

SIGNAL	I/O	FROM/TO	TYPE	DESCRIPTION
SCPK	I	SCP bus master to slave	LVTTTL compatible	SCP bus serial transfer clock. The host processor (master) generates this clock.
SCPENZ	I	SCP bus master to slave	LVTTTL compatible	SCP bus access enable (low true). When high, slave will reset to idle state, and SCPDO output will tri-state. Pulling SCPENZ low initiates a read or write access. SCPENZ must remain low for an entire read/write access, and must be pulled high after the last data cycle. To abort a read or write cycle, pull SCPENZ high at any point.
SCPDI	I	SCP bus master to slave	LVTTTL compatible	SCP bus serial data input. Data bits are valid and must be clocked in on the falling edge of SCPCK.
SCPDO	O	SCP bus slave to master	LVTTTL open drain w/tri-state	SCP bus serial data output. Data bits must clocked out on the rising edge of SCPCK.

**Table 2. Serial Interface Timing Requirements**

SYMBOL	CHARACTERISTICS	TEST CONDITIONS	MIN	NOM	MAX	UNIT
A	Setup CSZ low to CLK	Reference to rising edge of CLK	360			ns
B	Byte to Byte Delay	Nominally 1 CLK cycle rising edge to rising edge	1.9			μs
C	Setup DIN to CSZ High	Last byte to slave disable	360			ns
	CLK Frequency		0		526	kHz
D	CLK Period		1.9	2		μs
E	CLK High or Low Time		300			ns
F	DIN Set-Up Time	Reference to falling edge of CLK	300			ns
G	DIN Hold Time	Reference from falling edge of CLK	300			ns
H	DOUT Propagation Delay	Reference from rising edge of CLK			300	ns
	CLK Filter (pulse reject)		200			ns



**Figure 4. Serial Communications Port Timing Diagram**

### 7.3.7 Switching Regulators

The DLPA100 has four fixed frequency current mode control buck regulators that are used to provide power to integrated circuits in the system. The V5 regulator is used to power control functions in the DLPA100, as well as power the VLIN1 and VLIN2 linear regulators.

The regulators require external fly back diodes, inductors and filter capacitors. Due to the high currents in the VCORE regulator, an external FET and sense resistor are required. The regulators will operate in both continuous and discontinuous mode. An internal blanking circuit will be used to filter out transients due to the reverse recovery of the external clamp diode.

#### 7.3.7.1 Output Voltage - VOUT

All of the switchers apart from VCORE are regulated with respect to a 1.2 V reference ( $V_{FB}$ ). As the Core Regulator (VCORE) output voltage is adjustable from 1.0 V to 3.3 V the internal reference for this output is 0.8 V.

$$V_{out} = V_{FB} \times (1 + R1/R2) \tag{1}$$

#### 7.3.7.2 Adjustable Linear Regulator - VLIN1

This low dropout type regulator features current limit for a shorted load. It includes an integrated n-channel pass element and can work with either ceramic or electrolytic output capacitors. The output can range between 1.0 V and 3.3 V. The output voltage of the adjustable regulator is set by:

$$VLIN1 = V_{FB} \times (1+R1/R2) + (I_{FB} \times R2)$$

where

- $V_{FB} = 0.8 \text{ V}$  (2)

#### 7.3.7.3 Adjustable Linear Regulator Control - VLIN2

An additional linear regulator is implemented with external n-channel pass element. The output can range between 1.0 V and 3.3 V. The output voltage of the adjustable regulator is set by:

$$VLIN2 = V_{FB} \times (1+R3/R4) + (I_{FB} \times R4)$$

where

- $V_{FB} = 0.8 \text{ V}$  (3)

### 7.3.8 Fan Controllers

The DLPA100 has three outputs available to be used as the switching node for either voltage mode step down switcher or 'direct drive' schemes. The output voltage is determined by a PWM value programmed using the DLPC4422 display controller software. The switching frequency for each output can be programmed using the DLPC4422 display controller software for either 100 kHz for applications requiring a step-down switcher, or 24 Hz in applications that can utilize a direct drive scheme. The drivers in the 'direct drive' scheme are connected to the corresponding fans via a series resistor.

The default condition at start-up will be separate control of each fan control channel and 100kHz switching frequency.

### 7.3.9 Color Wheel Motor Driver

The driver system is a three phase BEMF sensing motor controller and driver. Commutation is controlled by a proprietary BEMF sensing technique. It eliminates many external passive components and provides flexibility by allowing various timing parameters to be programmed via the serial port.

#### 7.3.9.1 Color Wheel Motor Driver Power Dissipation

The maximum allowable power dissipation on motor driver is specified in the color wheel motor driver table. Motor driver power dissipation can be calculated as follows:

$$P_{dm} = [VM - (KE \times S_m) - I_{spd} \times R_{pp}] \times I_{spd}$$

where

- $P_{dm}$  = Power dissipation of motor driver
- $VM$  = Programmed output voltage of the motor supply
- $KE$  = Motor voltage constant in Volts/(rad/sec)
- $S_m$  = Motor speed in rad/sec
- $I_{spd}$  = Motor current at  $S_m$  speed
- $R_{pp}$  = Phase-to-phase motor resistance

(4)

### 7.3.10 Color Wheel Switching Regulator Supply

A fixed off time switching regulator is included to manage power dissipation for driving color wheels. For highly resistive motors requiring a low running current,  $I_{run} < 75$  mA, using this regulator may not be required, in which case  $VM$  should be connected directly to  $V_{BB}$  and the external inductor, capacitor & Schottky diode do not need to be fitted.

## 7.4 Device Functional Modes

DLPA100 device functional modes are controlled by the DLPC4422 display controller. See the DLPC4422 display controller datasheet or contact a TI applications engineer.



## 8 Application and Implementation

### NOTE

Information in the following applications sections is not part of the TI component specification, and TI does not warrant its accuracy or completeness. TI's customers are responsible for determining suitability of components for their purposes. Customers should validate and test their design implementation to confirm system functionality.

### 8.1 Application Information

Texas Instruments DLP technology is a micro-electro-mechanical systems (MEMS) technology that modulates light using a digital micromirror device (DMD). DMDs vary in resolution and size and can contain over 8 million micromirrors. Each micromirror of a DMD can represent either one or more pixels on the display and is independently controlled, synchronized with color sequential illumination, to create stunning images on any surface. DLP technology enables a wide variety of display products worldwide, from tiny projection modules embedded in smartphones to high powered digital cinema projectors, and emerging display products such as digital signage and laser TV.

In display applications using the DLP660TE DMD the DLPA100 provides all needed analog functions including the analog power supplies and the color wheel motor driver to provide a robust and efficient display solution.

### 8.2 Typical Application

When the DLPA100 power management device is combined with two display controllers (DLPC4422), an FPGA, and other electrical, optical and mechanical components the chipset enables bright, affordable, full 4K UHD display solutions. The DLPA100 power management and motor driver provides power supply sequencing and controls the color wheel motors, laser and LED currents as required by the application. A typical 4K UHD system application is shown in Figure 5.

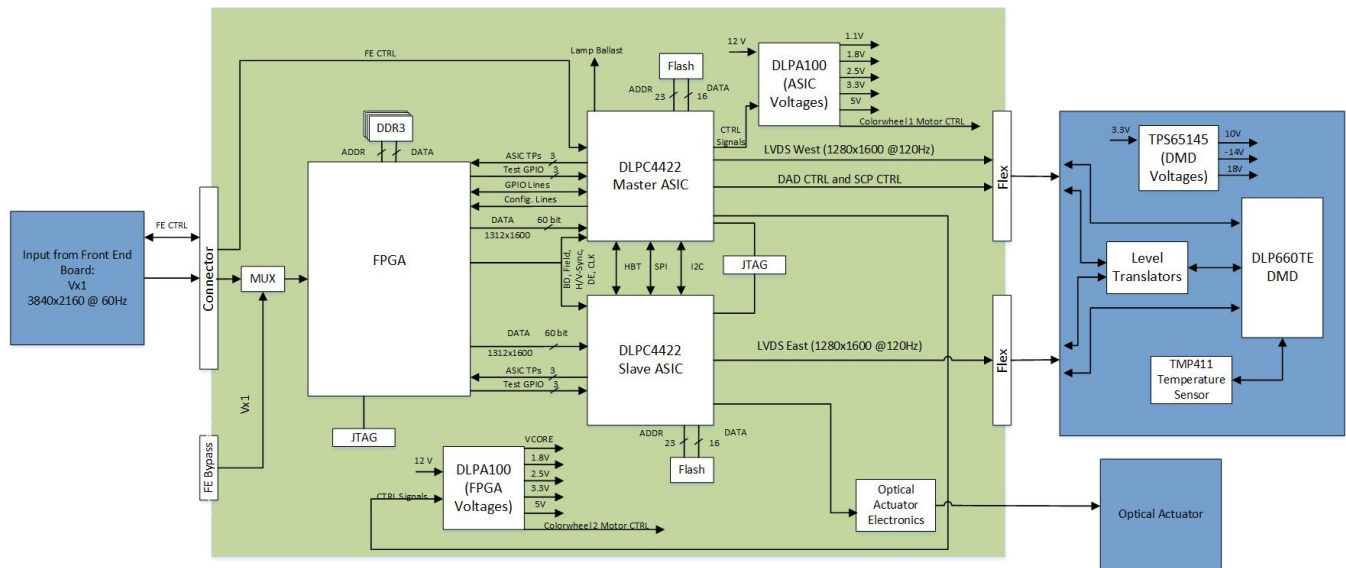


Figure 5. Typical 4K UHD Projector Application

#### 8.2.1 Design Requirements

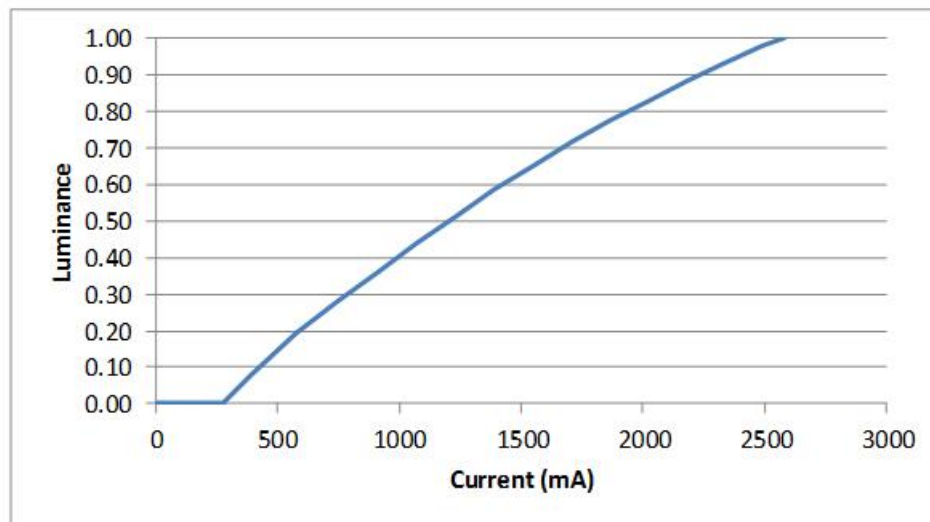
At the high level, DLP660TE DMD systems will include an illumination source, a light engine, electronic components, and software. The designer must first choose an illumination source and design the optical engine taking into consideration the relationship between the optics and the illumination source. The designer must then understand the electronic components of a DLP660TE DMD system. A display projector is created by using a DLP chipset comprised of DLP660TE DMD, DLPC4422 controller and DLPA100 power and motor driver. The DLPC4422 does the digital image processing, the DLPA100 provides the needed analog functions for the projector, and the DMD is the display device for producing the projected image.

## Typical Application (continued)

### 8.2.2 Detailed Design Procedure

For connecting together the DLPC4422 digital display controller, the DLP660TE DMD, and the DLPA100, see the reference design schematic. Layout guidelines should be followed to achieve a reliable projector. To complete the DLP system an optical module or light engine is required that contains the DLP660TE DMD, associated illumination sources, optical elements, and necessary mechanical components.

### 8.2.3 Application Curves



**Figure 6. Luminance vs. Current**

## 9 Power Supply Recommendations

The DLPA100 is designed to operate from a 12-V input voltage supply or battery. To avoid insufficient supply current due to line drop, ringing due to trace inductance at the VIN terminal, or supply peak current limitations, additional bulk capacitance may be required. If ringing occurs an electrolytic or tantalum type capacitor may be needed for damping. The amount of bulk capacitance required should be evaluated such that the input voltage can remain in specification long enough for a proper fast shutdown to occur as shown in [Figure 3](#). The shutdown begins when the input voltage drops below the programmable UVLO threshold, such as when the external power supply or battery supply is suddenly removed from the system.

## 10 Layout

### 10.1 Layout Guidelines

The 12-V supply, VBB, should be provided on a separate plane, or portion of a shared power distribution plane. Each ceramic filter capacitor should be placed as close as possible to each VBB terminal: pins 9, 22, 37 and 42. The additional reservoir capacitor should also be placed as close as possible to the VBB terminals. The ground for VBB should be routed directly to the DLPA100 thermal pad connection.

The PWB traces used on the switching regulators should be as short and wide as possible. The electrical loops formed between the VBB filter capacitors, input switch (LX pins), inductor, output capacitor and the diode should be as small as possible.

An adjacent layer ground region covering the entire switching node should be provided for the pins: LXC (pin 25), LX5 (pin 23), LX33 (pin 43), LX25 (pin 41), and VMSW (pin10). Each of the switching nodes and all associated components should be located as near the DLPA100 device as possible.

Avoid routing any noise sensitive signals near the DLPA100 device switching nodes and associated ground regions. The sensitive pins on the DLPA100 device consist of pins 1, 2, 3, 4, 5, 6, 8, and 48. If sensitive signals must be routed across the switching loops, use subdivided planes and/or multiple ground planes to avoid interference. Use of shielded inductors on the switching regulator circuits will minimize the possibility of crosstalk and interference.

High current paths should have an adequate number of vias to minimize resistance and inductance. Placement and routing priority should be given to the higher current circuits. For example, the VCORE supply should take precedence over a fan PWM output. The following is the order of precedence from highest to lowest:

1. VCORE
2. V5
3. V3P3
4. V2P5
5. VM
6. VLIN2
7. VLIN1
8. FAN1, FAN2, FAN3

Suitable kelvin connections should be provided for the regulator feedback pins: FBC (pin 30), V2P5 (pin 46), V3P3 (pin 45), V5 (pin 24), FB1 (pin 31) & FB2 (pin 32) and for sense pins: SENSE (pin 14), ISEN (pin 28) & ISENK (pin 27). Also note that the external feedback networks used for the VCORE and VLIN1 regulators should also deploy kelvin connections. The feedback pin traces FBC, FB1, FB2 are most prone to interference and should be located near the DLPA100 device.

### 10.2 Grounding Guidelines

Ground pin 19 is isolated internally to the DLPA100 from pins 7 and 44. All three ground pins should be tied together on the PWB at the DLPA100 thermal pad connection. Depending on the application there are three grounding approaches for board layout:

1. Completely isolated ground regions for the DLPA100 subcircuits.
2. Single isolated ground region for the collective DLPA100 circuit.
3. Non-isolated common ground region for the entire board.

The most favorable approach should be carefully considered for the specific application.

## Grounding Guidelines (continued)

### 10.2.1 Completely Isolated Ground Regions

In this case, the PWB has an isolated ground layer around the DLPA100 circuit which serves as a “noisy” ground for the motor driver, switchers, and linear regulators. This plane can be subdivided into isolated sections around each switcher, linear regulator and motor block to minimize the possibility of noise crosstalk between the regulator circuits. See [Figure 7](#). Each isolated section should be connected in a “star” configuration at the DLPA100 thermal pad position. An additional “quiet” solid ground plane should be provided on a separate layer for reference to the sensitive blocks of the DLPA100 device and other sensitive external circuitry. The sensitive pins on the DLPA100 device are pins 1, 2, 3, 4, 5, 6, 8, and 48. The quiet ground plane should connect to the DLPA100 device with the array of thermal vias.

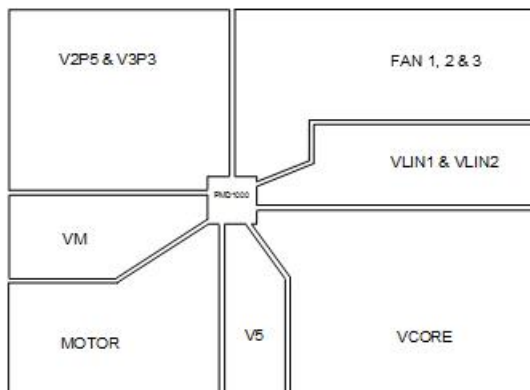


Figure 7. Noisy Ground Layer

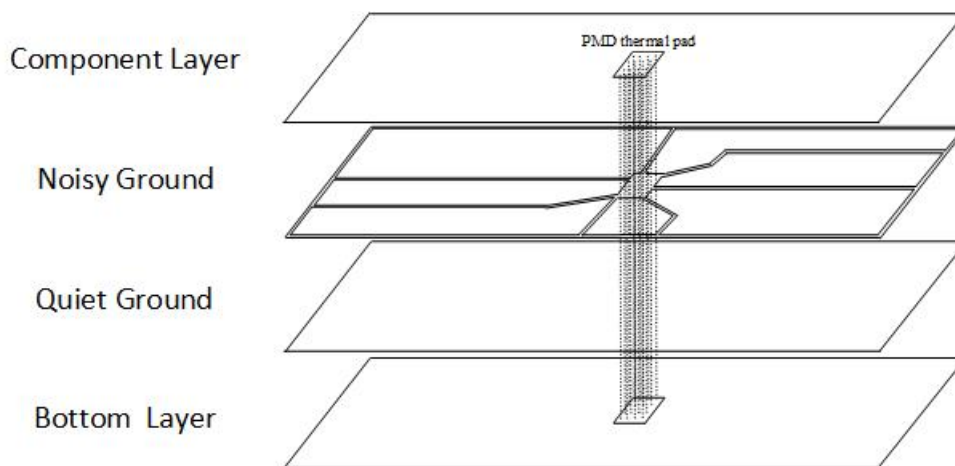


Figure 8. PWB Planes

### 10.2.2 Single Isolated Ground Region

In this case, the PWB has a single isolated ground layer around the DLPA100 circuit. This ground layer serves as a “noisy” ground for the switchers, linear regulators, and motor driver. An additional “quiet” solid ground plane should be provided on a separate layer for reference to the sensitive blocks of the DLPA100 and other sensitive external circuitry. Connect the “quiet” and “noisy” ground planes at the DLPA100 thermal pad array of vias.

### 10.2.3 Non-isolated Common Ground Region

In this case, the PWB has a solid non-isolated common ground layer for the entire board. In this configuration, use particular care during component placement and separate the noisy portions of the DLPA100 circuit from other sensitive signals on the board. The ground plane should connect to the DLPA100 with the array of thermal vias.

### 10.3 Thermal Guidelines

The PWB should have a thermal pad underneath the DLPA100 on both the top and bottom layers. The thermal pad on the top layer should extend to the edge of the terminal pads and include a 4x4 array of thermal vias. These thermal pads should connect to the internal ground planes via the thermal vias. It is recommended that the internal ground plane should extend for at least 20 square inches.

Careful consideration should be taken in providing an adequate amount of copper traces around the discrete Schottky diodes and MOSFET terminals used in the switching and linear converters to ensure proper thermal management. The thermal impedance ( $T_{j-a}$ ) of each component should be calculated to determine the corresponding amount of copper required. If using an internal plane, it is important to use an array of thermal vias underneath the device tab or terminal to assist in the transfer of the heat.

### 10.4 Motor Control Guidelines

The DLPA100 motor control terminals should be filtered with voltage transient suppressing devices for improved startup reliability and noise immunity. Schottky diodes should be placed cathode to anode between VBB to motor terminals OUTA (pin 12), OUTB (pin 15), OUTC (pin 16) and CTAP (pin 13). Schottky diodes should also be placed cathode to anode between motor terminals OUTA (pin 12), OUTB (pin 15), OUTC (pin 16) and CTAP (pin 13) to ground. Series RC snubbers consisting of a capacitor (0.001  $\mu$ F) in series with a resistor (150  $\Omega$ ) should be placed between the motor terminals OUTA (pin 12), OUTB (pin 15), and OUTC (pin 16) to CTAP (pin 13).

The value of the motor current sensing resistor on SENSE (pin 14) should be thoroughly evaluated for the application. Careful consideration should be taken in the amount of current draw during motor startup and braking with respect to the speed range and speed change timing requirements. It is recommended that the SENSE (pin 14) voltage does not exceed 450 mV. Most motors from today's modern technology have relatively low operating currents but higher start-up currents which make it very difficult to achieve good signal to noise ratio during operating range and meet the 450 mV maximum on SENSE (pin 14). Most motors have demonstrated success well below 100 mV steady-state SENSE (pin 14) voltage. As long as good layout and component selection practices are followed, acceptable signal to noise ratios can be achieved at such low operating SENSE (pin 14) voltages. The typical SENSE resistor value ranges from 0.47  $\Omega$  to 2.2  $\Omega$ . A 1.0- $\Omega$  SENSE resistor value is suggested as a good starting point. Typically the steady-state SENSE (pin 14) voltage with a 1.0- $\Omega$  resistor will be near 100 mV.

## 10.5 Layout Example

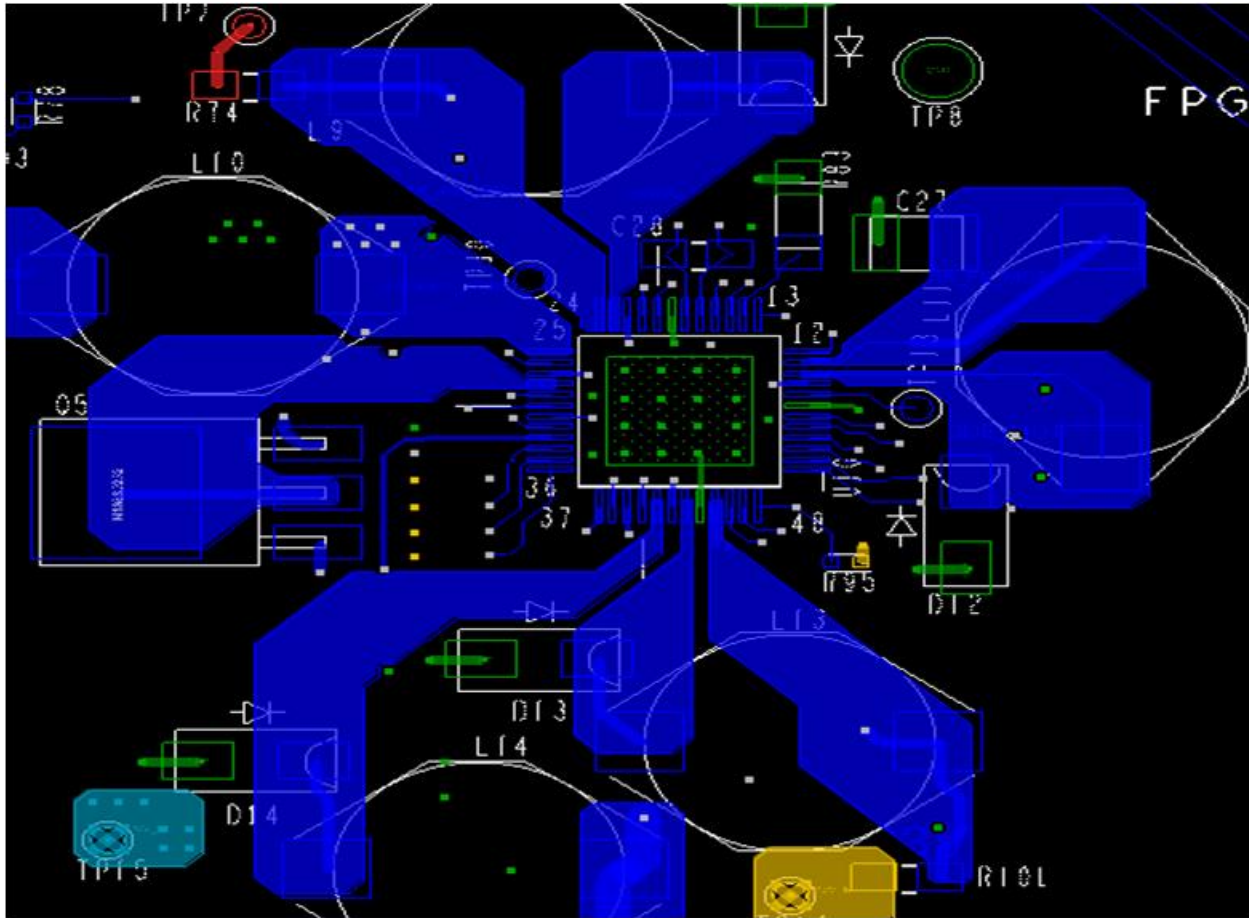


Figure 9. Top Layer

## 11 Device and Documentation Support

### 11.1 Device Markings

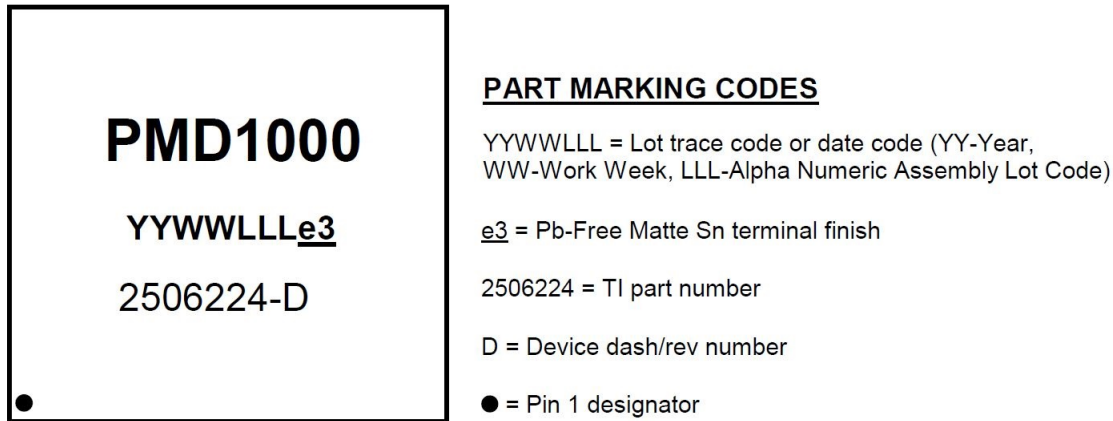


Figure 10. Device Markings

### 11.2 Documentation Support

#### 11.2.1 Related Documentation

For related documentation see the following:

- DLPC4422 Display Controller Datasheet
- DLP660TE DMD Datasheet

### 11.3 Community Resources

The following links connect to TI community resources. Linked contents are provided "AS IS" by the respective contributors. They do not constitute TI specifications and do not necessarily reflect TI's views; see TI's [Terms of Use](#).

**TI E2E™ Online Community** *TI's Engineer-to-Engineer (E2E) Community*. Created to foster collaboration among engineers. At [e2e.ti.com](http://e2e.ti.com), you can ask questions, share knowledge, explore ideas and help solve problems with fellow engineers.

**Design Support** *TI's Design Support* Quickly find helpful E2E forums along with design support tools and contact information for technical support.

### 11.4 Trademarks

E2E is a trademark of Texas Instruments.

DLP is a registered trademark of Texas Instruments.

### 11.5 Electrostatic Discharge Caution



This integrated circuit can be damaged by ESD. Texas Instruments recommends that all integrated circuits be handled with appropriate precautions. Failure to observe proper handling and installation procedures can cause damage.

ESD damage can range from subtle performance degradation to complete device failure. Precision integrated circuits may be more susceptible to damage because very small parametric changes could cause the device not to meet its published specifications.

### 11.6 Glossary

**SLYZ022** — *TI Glossary*.

This glossary lists and explains terms, acronyms, and definitions.



## 12 Mechanical, Packaging, and Orderable Information

The following pages include mechanical, packaging, and orderable information. This information is the most current data available for the designated devices. This data is subject to change without notice and revision of this document. For browser-based versions of this data sheet, refer to the left-hand navigation.

## 12.1 Package Option Addendum

### 12.1.1 Packaging Information

Orderable Device	Status <sup>(1)</sup>	Package Type	Package Drawing	Pins	Package Qty	Eco Plan <sup>(2)</sup>	Lead/Ball Finish	MSL Peak Temp <sup>(3)</sup>	Op Temp (°C)	Device Marking <sup>(4)(5)</sup>
DLPA100PT	ACTIVE	LQFP	PT	48	260	Call TI	Call TI	Level-2-260C-1 YEAR	0 to 75	

- (1) The marketing status values are defined as follows:  
**ACTIVE:** Product device recommended for new designs.  
**LIFEBUY:** TI has announced that the device will be discontinued, and a lifetime-buy period is in effect.  
**NRND:** Not recommended for new designs. Device is in production to support existing customers, but TI does not recommend using this part in a new design.  
**PRE\_PROD** Unannounced device, not in production, not available for mass market, nor on the web, samples not available.  
**PREVIEW:** Device has been announced but is not in production. Samples may or may not be available.  
**OBSOLETE:** TI has discontinued the production of the device.
- (2) Eco Plan - The planned eco-friendly classification: Pb-Free (RoHS), Pb-Free (RoHS Exempt), or Green (RoHS & no Sb/Br) - please check <http://www.ti.com/productcontent> for the latest availability information and additional product content details.  
**TBD:** The Pb-Free/Green conversion plan has not been defined.  
**Pb-Free (RoHS):** TI's terms "Lead-Free" or "Pb-Free" mean semiconductor products that are compatible with the current RoHS requirements for all 6 substances, including the requirement that lead not exceed 0.1% by weight in homogeneous materials. Where designed to be soldered at high temperatures, TI Pb-Free products are suitable for use in specified lead-free processes.  
**Pb-Free (RoHS Exempt):** This component has a RoHS exemption for either 1) lead-based flip-chip solder bumps used between the die and package, or 2) lead-based die adhesive used between the die and leadframe. The component is otherwise considered Pb-Free (RoHS compatible) as defined above.  
**Green (RoHS & no Sb/Br):** TI defines "Green" to mean Pb-Free (RoHS compatible), and free of Bromine (Br) and Antimony (Sb) based flame retardants (Br or Sb do not exceed 0.1% by weight in homogeneous material)
- (3) MSL, Peak Temp. -- The Moisture Sensitivity Level rating according to the JEDEC industry standard classifications, and peak solder temperature.
- (4) There may be additional marking, which relates to the logo, the lot trace code information, or the environmental category on the device
- (5) Multiple Device markings will be inside parentheses. Only on Device Marking contained in parentheses and separated by a "~" will appear on a device. If a line is indented then it is a continuation of the previous line and the two combined represent the entire Device Marking for that device.

**Important Information and Disclaimer:** The information provided on this page represents TI's knowledge and belief as of the date that it is provided. TI bases its knowledge and belief on information provided by third parties, and makes no representation or warranty as to the accuracy of such information. Efforts are underway to better integrate information from third parties. TI has taken and continues to take reasonable steps to provide representative and accurate information but may not have conducted destructive testing or chemical analysis on incoming materials and chemicals. TI and TI suppliers consider certain information to be proprietary, and thus CAS numbers and other limited information may not be available for release.

In no event shall TI's liability arising out of such information exceed the total purchase price of the TI part(s) at issue in this document sold by TI to Customer on an annual basis.

## IMPORTANT NOTICE AND DISCLAIMER

TI PROVIDES TECHNICAL AND RELIABILITY DATA (INCLUDING DATASHEETS), DESIGN RESOURCES (INCLUDING REFERENCE DESIGNS), APPLICATION OR OTHER DESIGN ADVICE, WEB TOOLS, SAFETY INFORMATION, AND OTHER RESOURCES "AS IS" AND WITH ALL FAULTS, AND DISCLAIMS ALL WARRANTIES, EXPRESS AND IMPLIED, INCLUDING WITHOUT LIMITATION ANY IMPLIED WARRANTIES OF MERCHANTABILITY, FITNESS FOR A PARTICULAR PURPOSE OR NON-INFRINGEMENT OF THIRD PARTY INTELLECTUAL PROPERTY RIGHTS.

These resources are intended for skilled developers designing with TI products. You are solely responsible for (1) selecting the appropriate TI products for your application, (2) designing, validating and testing your application, and (3) ensuring your application meets applicable standards, and any other safety, security, or other requirements. These resources are subject to change without notice. TI grants you permission to use these resources only for development of an application that uses the TI products described in the resource. Other reproduction and display of these resources is prohibited. No license is granted to any other TI intellectual property right or to any third party intellectual property right. TI disclaims responsibility for, and you will fully indemnify TI and its representatives against, any claims, damages, costs, losses, and liabilities arising out of your use of these resources.

TI's products are provided subject to TI's Terms of Sale ([www.ti.com/legal/termsofsale.html](http://www.ti.com/legal/termsofsale.html)) or other applicable terms available either on [ti.com](http://ti.com) or provided in conjunction with such TI products. TI's provision of these resources does not expand or otherwise alter TI's applicable warranties or warranty disclaimers for TI products.

Mailing Address: Texas Instruments, Post Office Box 655303, Dallas, Texas 75265  
Copyright © 2019, Texas Instruments Incorporated