

DS90UB940N-Q1 1080p FPD-Link III to CSI-2 deserializer

1 Features

- AEC-Q100 qualified with the following results:
 - Device temperature grade 2: -40°C to $+105^{\circ}\text{C}$ ambient operating temperature
- Supports pixel clock frequency up to 170 MHz for WUXGA (1920x1200) and 1080p60 resolutions with 24-bit color depth
- 1-lane or 2-lane FPD-Link III interface with de-skew capability
- MIPI® D-PHY / CSI-2 transmitter
 - CSI-2 output ports with selectable 2- or 4-lane operation, up to 1.3 Gbps each lane
 - Video formats: RGB888/666/565, YUV422/420, RAW8/10/12
 - Programmable virtual channel identifier
- Four high-speed GPIOs (up to 2 Mbps each)
- Adaptive receive equalization
 - Compensates for channel insertion loss of up to -15.3 dB at 1.7 GHz
 - Provides automatic temperature and cable aging compensation
- SPI control interfaces up to 3.3 Mbps
- I2C (master/slave) with 1-Mbps fast-mode plus
- Supports 7.1 multiple I2S (4 data) channels

2 Applications

- Automotive infotainment and clusters:
 - Automotive center stack displays
 - Rear seat entertainment
 - Automotive cluster displays
 - Automotive smart displays

3 Description

The DS90UB940N-Q1 is a FPD-Link III deserializer which, together with the DS90UB949/947/929-Q1 serializers, converts 1-lane or 2-lane FPD-Link III streams into a MIPI® CSI-2 format. The deserializer can operate over cost-effective, 50- Ω , single-ended coaxial or 100- Ω , differential shielded twisted-pair (STP) cables. The device recovers the data from one or two FPD-Link III serial streams and translates the data into a Camera Serial Interface (CSI-2) format that can support video resolutions up to WUXGA and 1080p60 with 24-bit color depth.

The FPD-Link III interface supports video and audio data transmission and full duplex control, including I2C and SPI communication, over the same differential link. Consolidation of video data and control over two differential pairs decreases the interconnect size and weight and simplifies the system design. EMI is minimized by the use of low voltage differential signaling, data scrambling, and randomization. In backward compatible mode, the device supports up to WXGA and 720p resolutions with 24-bit color depth over a single differential link.

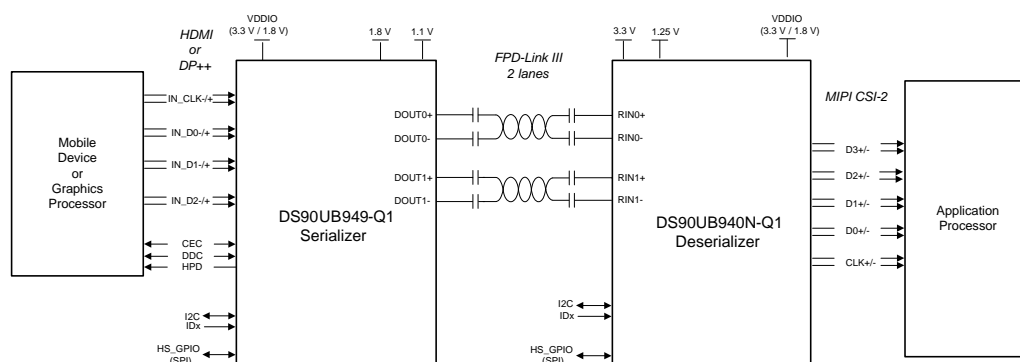
The device automatically senses the FPD-Link III channels and supplies a clock alignment and de-skew functionality without the need for any special training patterns. This ensures skew phase tolerance from mismatches in interconnect wires such as PCB trace routing, cable pair-to-pair length differences, and connector imbalances.

Device Information⁽¹⁾

| PART NUMBER | PACKAGE | BODY SIZE (NOM) |
|---------------|-----------|-------------------|
| DS90UB940N-Q1 | WQFN (64) | 9.00 mm x 9.00 mm |

(1) For all available packages, see the orderable addendum at the end of the data sheet.

Typical Application



Copyright © 2017, Texas Instruments Incorporated



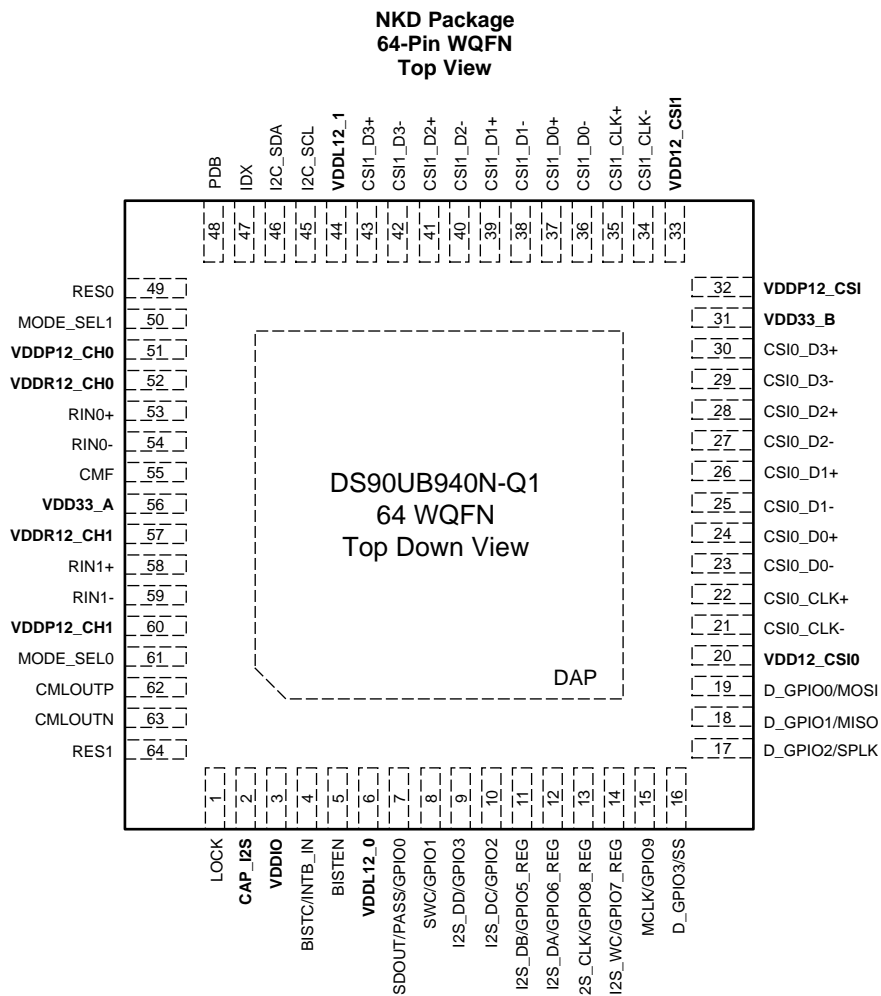
Table of Contents

| | | | |
|---|-----------|--|-----------|
| 1 Features | 1 | 7.6 Register Maps | 45 |
| 2 Applications | 1 | 8 Application and Implementation | 79 |
| 3 Description | 1 | 8.1 Application Information | 79 |
| 4 Revision History | 2 | 8.2 Typical Applications | 79 |
| 5 Pin Configuration and Functions | 3 | 9 Power Supply Recommendations | 84 |
| 6 Specifications | 8 | 9.1 Power-Up Requirements and PDB Pin | 84 |
| 6.1 Absolute Maximum Ratings | 8 | 9.2 Power Sequence | 84 |
| 6.2 ESD Ratings | 8 | 10 Layout | 86 |
| 6.3 Recommended Operating Conditions | 8 | 10.1 Layout Guidelines | 86 |
| 6.4 Thermal Information | 9 | 10.2 Ground | 87 |
| 6.5 DC Electrical Characteristics | 9 | 10.3 Routing FPD-Link III Signal Traces | 87 |
| 6.6 AC Electrical Characteristics | 12 | 10.4 CSI-2 Guidelines | 88 |
| 6.7 Timing Requirements for the Serial ControlBus | 13 | 10.5 Layout Example | 89 |
| 6.8 Switching Characteristics | 14 | 11 Device and Documentation Support | 91 |
| 6.9 Timing Diagrams and Test Circuits | 16 | 11.1 Documentation Support | 91 |
| 6.10 Typical Characteristics | 20 | 11.2 Receiving Notification of Documentation Updates | 91 |
| 7 Detailed Description | 21 | 11.3 Community Resources | 91 |
| 7.1 Overview | 21 | 11.4 Trademarks | 91 |
| 7.2 Functional Block Diagram | 21 | 11.5 Electrostatic Discharge Caution | 91 |
| 7.3 Feature Description | 22 | 11.6 Glossary | 91 |
| 7.4 Device Functional Modes | 35 | 12 Mechanical, Packaging, and Orderable Information | 92 |
| 7.5 Programming | 42 | | |

4 Revision History

| DATE | VERSION | NOTES |
|------------|---------|------------------|
| March 2019 | * | Initial release. |

5 Pin Configuration and Functions



Pin Functions

| PIN | | I/O, TYPE | DESCRIPTION |
|--------------------------------------|--------|-----------|---|
| NAME | NUMBER | | |
| MIPI DPHY / CSI-2 OUTPUT PINS | | | |
| CSI0_CLK- | 21 | ○ | CSI-2 TX Port 0 differential clock output pins. Leave unused pins as No Connect. Do not connect to an external pullup or pulldown. |
| CSI0_CLK+ | 22 | | |
| CSI0_D0- | 23 | ○ | CSI-2 TX Port 0 differential data output pins. Leave unused pins as No Connect. Do not connect to an external pullup or pulldown. |
| CSI0_D0+ | 24 | | |
| CSI0_D1- | 25 | ○ | CSI-2 TX Port 0 differential data output pins. Leave unused pins as No Connect. Do not connect to an external pullup or pulldown. |
| CSI0_D1+ | 26 | | |
| CSI0_D2- | 27 | ○ | CSI-2 TX Port 0 differential data output pins. Leave unused pins as No Connect. Do not connect to an external pullup or pulldown. |
| CSI0_D2+ | 28 | | |
| CSI0_D3- | 29 | ○ | CSI-2 TX Port 0 differential data output pins. Leave unused pins as No Connect. Do not connect to an external pullup or pulldown. |
| CSI0_D3+ | 30 | | |
| CSI1_CLK- | 34 | ○ | CSI-2 TX Port 1 differential clock output pins. Leave unused pins as No Connect. Do not connect to an external pullup or pulldown. |
| CSI1_CLK+ | 35 | | |

Pin Functions (continued)

| PIN | | I/O, TYPE | DESCRIPTION |
|-------------------------------|----------|-----------|--|
| NAME | NUMBER | | |
| CSI1_D0– CSI1_D0+ | 36 37 | O | CSI-2 TX Port 1 differential data output pins. Leave unused pins as No Connect. Do not connect to an external pullup or pulldown. |
| CSI1_D1– CSI1_D1+ | 38 39 | O | |
| CSI1_D2– CSI1_D2+ | 40 41 | O | |
| CSI1_D3– CSI1_D3+ | 42 43 | O | |
| FPD-LINK III INTERFACE | | | |
| RIN0– | 54 | I/O | FPD-Link III RX Port 0 pins. The port receives FPD-Link III, high-speed, forward channel video and control data, and transmits back channel control data. It can interface with a compatible FPD-Link III serializer TX through a STP or coaxial cable (see Figure 41 and Figure 42). It must be AC-coupled per Table 101 . Leave unused pins as No Connect. Do not connect to an external pullup or pulldown. |
| RIN0+ | 53 | I/O | |
| RIN1– | 59 | I/O | FPD-Link III RX Port 1 pins. The port receives FPD-Link III, high-speed, forward channel video and control data, and transmits back channel control data. It can interface with a compatible FPD-Link III serializer TX through a STP or coaxial cable (see Figure 41 and Figure 42). It must be AC-coupled per Table 101 . Leave unused pins as No Connect. Do not connect to an external pullup or pulldown. |
| RIN1+ | 58 | I/O | |
| CMF | 55 | I/O | Common mode filter. Connect a 0.1- μ F capacitor to GND. |
| I2C PINS | | | |
| I2C_SDA | 46 | I/O, OD | I2C Data Input / Output Interface pin. See Serial Control Bus . TI recommend a 2.2-k Ω to 4.7-k Ω pullup to 1.8 V or 3.3 V. See I2C Bus Pullup Resistor Calculation (SLVA689). |
| I2C_SCL | 45 | I/O, OD | I2C Clock Input / Output Interface pin. See Serial Control Bus . TI recommend a 2.2-k Ω to 4.7-k Ω pullup to 1.8 V or 3.3 V. See I2C Bus Pullup Resistor Calculation (SLVA689). |
| IDx | 47 | I, S | I2C Serial Control Bus Device ID Address Select configuration pin. Connect to an external pullup to VDD18 and a pulldown to GND to create a voltage divider. See Table 10 . |
| SPI PINS | | | |
| MOSI (D_GPIO0) | 19 | I/O, PD | SPI Master Output, Slave Input pin (function programmed through register). It is a multifunction pin (shared with D_GPIO0) with a weak internal pulldown (3 μ A). Pin function is programmed through registers. See SPI Mode Configuration . If unused, tie to an external pulldown. |
| MISO (D_GPIO1) | 18 | I/O, PD | SPI Master Input, Slave Output pin (function programmed through register). It is a multifunction pin (shared with D_GPIO1) with a weak internal pulldown (3 μ A). Pin function is programmed through registers. See SPI Mode Configuration . If unused, tie to an external pulldown. |
| SPLK (D_GPIO2) | 17 | I/O, PD | SPI Clock pin (function programmed through register). It is a multifunction pin (shared with D_GPIO2) with a weak internal pulldown (3 μ A). Pin function is programmed through registers. See SPI Mode Configuration . If unused, tie to an external pulldown. |
| SS (D_GPIO3) | 16 | I/O, PD | SPI Slave Select pin (function programmed through register). It is a multifunction pin (shared with D_GPIO3) with a weak internal pulldown (3 μ A). Pin function is programmed through registers. See SPI Mode Configuration . If unused, tie to an external pulldown. |
| CONTROL PINS | | | |
| MODE_SELO | 61 | I, S | Mode Select 0 configuration pin. Connect to an external pullup to VDD33 and pulldown to GND to create a voltage divider. See Table 7 . |
| MODE_SEL1 | 50 | I, S | Mode Select 1 configuration pin. Connect to external pullup to VDD33 and pulldown to GND to create a voltage divider. See Table 8 . |

Pin Functions (continued)

| PIN | | I/O, TYPE | DESCRIPTION |
|-----------------------------|--------|-----------|---|
| NAME | NUMBER | | |
| PDB | 48 | I, PD | Inverted Power-Down input pin. Typically connected to a processor GPIO with a pulldown. When PDB input is brought HIGH, the device is enabled and internal registers and state machines are reset to default values. Asserting PDB signal low will power down the device and consume minimum power. The default function of this pin is PDB = LOW; POWER DOWN with a weak (3 μ A) internal pulldown enabled. PDB should remain low until after power supplies are applied and reach minimum required levels. PDB = 1, device is enabled (normal operation) PDB = 0, device is powered down When the device is in the POWER DOWN state, the LVCMOS outputs are in tri-state, the PLL is shut down, and IDD is minimized. |
| BISTEN | 5 | I, PD | BIST Enable pin. 0: BIST mode is disabled 1: BIST mode is enabled It is a configuration pin with a weak (3 μ A) internal pulldown. If unused, tie to an external pulldown. See Built-In Self Test (BIST) for more information. |
| BISTC (INTB_IN) | 4 | I, PD | BIST Clock Select pin (function set by BISTEN pin). 0: PCLK 1: 33 MHz It is a multifunction pin (shared with INTB_IN) with a weak internal pulldown (3 μ A). Pin function is only enabled when in BIST mode. If unused, tie to an external pulldown. |
| INTB_IN (BISTC) | 4 | I, PD | Interrupt Input pin (default function). It is a multifunction pin (shared with BISTC) with a weak internal pulldown (3 μ A). See Interrupt Pin — Functional Description and Usage (INTB_IN) . If unused, tie to an external pulldown. |
| GPIO PINS | | | |
| GPIO0 (SDOUT) (PASS) | 7 | I/O, PD | General-Purpose Input / Output 0 pin (default function). Default state: logic <i>LOW</i> . It is a multifunction pin (shared with SDOUT and PASS) with a weak internal pulldown (3 μ A). Pin function is programmed through registers. See General-Purpose I/O (GPIO) . If unused, tie to an external pulldown. |
| GPIO1 (SWC) | 8 | I/O, PD | General-Purpose Input / Output 1 pin (default function). Default state: logic <i>LOW</i> . It is a multifunction pin (shared with SWC) with a weak internal pulldown (3 μ A). Pin function is programmed through registers. See General-Purpose I/O (GPIO) . If unused, tie to an external pulldown. |
| GPIO2 (I2S_DC) | 10 | I/O, PD | General-Purpose Input / Output 2 pin (default function). Default state: logic <i>LOW</i> . It is a multifunction pin (shared with I2S_DC) with a weak internal pulldown (3 μ A). Pin function is programmed through registers. See General-Purpose I/O (GPIO) . If unused, tie to an external pulldown. |
| GPIO3 (I2S_DD) | 9 | I/O, PD | General-Purpose Input / Output 3 pin (default function). Default state: logic <i>LOW</i> . It is a multifunction pin (shared with I2S_DD) with a weak internal pulldown (3 μ A). Pin function is programmed through registers. See General-Purpose I/O (GPIO) . If unused, tie to an external pulldown. |
| GPIO9 (MCLK) | 15 | I/O, PD | General-Purpose Input / Output 9 pin (default function). Default state: logic <i>LOW</i> . It is a multifunction pin (shared with MCLK) with a weak internal pulldown (3 μ A). Pin function is programmed through registers. See General-Purpose I/O (GPIO) . If unused, tie to an external pulldown. |
| HIGH-SPEED GPIO PINS | | | |
| D_GPIO0 (MOSI) | 19 | I/O, PD | High-Speed, General-Purpose Input / Output 0 pin (default function). Default state: <i>tri-state</i> . Only available in Dual Link Mode. It is a multifunction pin (shared with MOSI) with a weak internal pulldown (3 μ A). Pin function is programmed through registers. See General-Purpose I/O (GPIO) . If unused, tie to an external pulldown. |
| D_GPIO1 (MISO) | 18 | I/O, PD | High-Speed, General-Purpose Input / Output 1 pin (default function). Default state: <i>tri-state</i> . Only available in Dual Link Mode. It is a multifunction pin (shared with MISO) with a weak internal pulldown (3 μ A). Pin function is programmed through registers. See General-Purpose I/O (GPIO) . If unused, tie to an external pulldown. |

Pin Functions (continued)

| PIN | | I/O, TYPE | DESCRIPTION |
|---|--------|-----------|--|
| NAME | NUMBER | | |
| D_GPIO2 (SPLK) | 17 | I/O, PD | High-Speed, General-Purpose Input / Output 2 pin (default function). Default state: <i>tri-state</i> . Only available in Dual Link Mode. It is a multifunction pin (shared with SPLK) with a weak internal pulldown (3 μ A). Pin function is programmed through registers. See General-Purpose I/O (GPIO) . If unused, tie to an external pulldown. |
| D_GPIO3 (SS) | 16 | I/O, PD | High-Speed, General-Purpose Input / Output 3 pin (default function). Default state: <i>tri-state</i> . Only available in Dual Link Mode. It is a multifunction pin (shared with SS) with a weak internal pulldown (3 μ A). Pin function is programmed through registers. See General-Purpose I/O (GPIO) . If unused, tie to an external pulldown. |
| REGISTER ONLY GPIO PINS | | | |
| GPIO5_REG (I2S_DB) | 11 | I/O, PD | High-Speed, General-Purpose Input / Output 5 pin (default function). I2C register control only. Default state: logic <i>LOW</i> . It is a multifunction pin (shared with I2S_DB) with a weak internal pulldown (3 μ A). Pin function is programmed through registers. See General-Purpose I/O (GPIO) . If unused, tie to an external pulldown. |
| GPIO6_REG (I2S_DA) | 12 | I/O, PD | High-Speed, General-Purpose Input / Output 6 pin (default function). I2C register control only. Default state: logic <i>LOW</i> . It is a multifunction pin (shared with I2S_DA) with a weak internal pulldown (3 μ A). Pin function is programmed through registers. See General-Purpose I/O (GPIO) . If unused, tie to an external pulldown. |
| GPIO7_REG (I2S_WC) | 14 | I/O, PD | High-Speed, General-Purpose Input / Output 7 pin (default function). I2C register control only. Default state: logic <i>LOW</i> . It is a multifunction pin (shared with I2S_WC) with a weak internal pulldown (3 μ A). Pin function is programmed through registers. See General-Purpose I/O (GPIO) . If unused, tie to an external pulldown. |
| GPIO8_REG (I2S_CLK) | 13 | I/O, PD | High-Speed, General-Purpose Input / Output 8 pin (default function). I2C register control only. Default state: logic <i>LOW</i> . It is a multifunction pin (shared with I2S_CLK) with a weak internal pulldown (3 μ A). Pin function is programmed through registers. See General-Purpose I/O (GPIO) . If unused, tie to an external pulldown. |
| SLAVE MODE LOCAL I2S CHANNEL PINS | | | |
| I2S_WC (GPIO7_REG) | 14 | O | Slave Mode I2S Word Clock Output pin (function programmed through register). It is a multifunction pin (shared with GPIO7_REG). Pin function is programmed through registers. See I2S Audio Interface . If unused, tie to an external pulldown. |
| I2S_CLK (GPIO8_REG) | 13 | O | Slave Mode I2S Clock Output pin (function programmed through register). NOTE: Disable I2S data jitter cleaner, when using these pins, through the register bit I2S Control: 0x2B[7]=1. It is a multifunction pin (shared with GPIO8_REG). Pin function is programmed through registers. See I2S Audio Interface . If unused, tie to an external pulldown. |
| I2S_DA (GPIO6_REG) | 12 | O | Slave Mode I2S Data Output pin (function programmed through register). It is a multifunction pin (shared with GPIO6_REG). Pin function is programmed through registers. See I2S Audio Interface . If unused, tie to an external pulldown. |
| I2S_DB (GPIO5_REG) | 11 | O | Slave Mode I2S Data Output pin (function programmed through register). It is a multifunction pin (shared with GPIO5_REG). Pin function is programmed through registers. See I2S Audio Interface . If unused, tie to an external pulldown. |
| I2S_DC (GPIO2) | 10 | O | Slave Mode I2S Data Output (function programmed through register). It is a multifunction pin (shared with GPIO2). Pin function is programmed through registers. See I2S Audio Interface . If unused, tie to an external pulldown. |
| I2S_DD (GPIO3) | 9 | O | Slave Mode I2S Data Output (function programmed through register). It is a multifunction pin (shared with GPIO3). Pin function is programmed through registers. See I2S Audio Interface . If unused, tie to an external pulldown. |
| MASTER MODE LOCAL I2S CHANNEL PINS | | | |
| SWC (GPIO1) | 8 | O | Master Mode I2S Word Clock Output pin (function is programmed through registers). (Pin is shared with GPIO1). It is a multifunction pin (shared with GPIO1). Pin function is programmed through registers. See I2S Audio Interface . If unused, tie to an external pulldown. |

Pin Functions (continued)

| PIN | | I/O, TYPE | DESCRIPTION |
|--|---|-----------|--|
| NAME | NUMBER | | |
| SDOUT (PASS) (GPIO0) | 7 | O | Master Mode I2S Data Output pin (function is programmed through registers). (Pin is shared with GPIO0 and PASS). It is a multifunction pin (shared with GPIO0 and PASS). Pin function is programmed through registers. See I2S Audio Interface . If unused, tie to an external pulldown. |
| MCLK (GPIO9) | 15 | O | Master Mode I2S System Clock Output pin (function is programmed through registers). (Pin is shared with GPIO9). It is a multifunction pin (shared with GPIO9). Pin function is programmed through registers. See I2S Audio Interface . If unused, tie to an external pulldown. |
| STATUS PINS | | | |
| LOCK | 1 | O | Lock Status Output pin. LOCK = 1: PLL acquired lock to the reference clock input; DPHY outputs are active. LOCK = 0: PLL is unlocked. |
| PASS (SDOUT) (GPIO0) | 7 | O | Normal mode status output pin (BISTEN = 0). PASS = 1: No fault detected on input display timing. PASS = 0: Indicates an error condition or corruption in display timing. Fault condition occurs: <ol style="list-style-type: none"> DE length value mismatch measured once in succession. VSync length value mismatch measured twice in succession. BIST mode status output pin (BISTEN = 1). (Pin is shared with SDOUT and GPIO0). PASS = 1: No error detected. PASS = 0: Error detected. |
| POWER AND GROUND | | | |
| VDD33_A, VDD33_B | 56 31 | P | 3.3-V (±10%) supply. Power to on-chip regulator. TI recommends to connect 10-µF, 1-µF, 0.1-µF, and 0.01-µF capacitors to GND. |
| VDDIO | 3 | P | LVC MOS I/O power supply: 1.8 V (±5%) OR 3.3 V (±10%). TI recommends to connect 10-µF, 1-µF, 0.1-µF, and 0.01-µF capacitors to GND. |
| VDD12_CSI0 VDDP12_CSI VDD12_CSI1 VDDL12_0 VDDL12_1 VDDP12_CH0 VDDR12_CH0 VDDP12_CH1 VDDR12_CH1 | 20 32 33 6 44 51 52 60 57 | P | 1.2-V (±5%) supply. TI recommends to connect 10-µF, 1-µF, 0.1-µF, and 0.01-µF capacitors to GND at each VDD pin. |
| CAP_I2S | 2 | D | Decoupling capacitor connection for on-chip regulator. TI recommend to connect a 0.1-µF decoupling capacitor to GND. |
| VSS | DAP | G | DAP is the large metal contact at the bottom side, located at the center of the WQFN package. Connect to the ground plane (GND) with at least 32 vias. |
| OTHER PINS | | | |
| CMLOUTP CMLOUTN | 62 63 | O | Channel Monitor Loop-through Driver differential output pins. Route to a test point or a pad with 100-Ω termination resistor between pins for channel monitoring (recommended). See Figure 38 or Figure 39 . |
| RES0 RES1 | 49 64 | - | Reserved pins. May be left as No Connect pins or connected to ground through a 0.1-µF capacitor. |

The following definitions define the functionality of the I/O cells for each pin.

I/O TYPE:

- P = Power supply
- G = Ground
- D = Decoupling for an internal linear regulator
- S = Configuration/Strap Input (All strap pins have internal pulldowns determined by IOZ specification. If the default strap value is needed to be changed then an external resistor should be used.
- I = Input
- O = Output
- I/O = Input/Output
- PD = Internal pulldown

6 Specifications

6.1 Absolute Maximum Ratings

 Over operating free-air temperature range (unless otherwise noted)^{(1) (2)}

| | | MIN | MAX | UNIT |
|--------------------------------|--|------|---------------------|------|
| Supply voltage | VDD33 (VDD33_A, VDD33_B) | -0.3 | 3.96 | V |
| | VDD12 (VDD12_CSI0, VDD12_CSI1, VDDP12_CSI, VDDL_1, VDDL_2, VDDP12_CH0, VDDP12_CH1, VDDR12_CH0, VDDR12_CH1) | -0.3 | 1.44 | V |
| | VDDIO | -0.3 | 3.96 | V |
| Configuration input voltage | IDX, MODE_SEL0, MODE_SEL1 | -0.3 | 3.96 | V |
| LVCMOS I/O voltage | PDB, BIST_EN | -0.3 | 3.96 | V |
| | GPIO[3:0], D_GPIO[3:0], GPIO[8:5]_REG, LOCK, PASS, INTB_IN, MCLK | -0.3 | $V_{(VDDIO)} + 0.3$ | V |
| Open-drain voltage | I2C_SDA, I2C_SCL | -0.3 | 3.96 | V |
| CML output voltage | CMLOUTP, CMLOUTN | -0.3 | 2.75 | V |
| FPD-Link III input voltage | RIN0+, RIN0-, RIN1+, RIN1- | -0.3 | 2.75 | V |
| CSI-2 voltage | CSI0_D0+, CSI0_D0-, CSI0_D1+, CSI0_D1-, CSI0_D2+, CSI0_D2-, CSI0_D3+, CSI0_D3-, CSI0_CLK+, CSI0_CLK-, CSI1_D0+, CSI1_D0-, CSI1_D1+, CSI1_D1-, CSI1_D2+, CSI1_D2-, CSI1_D3+, CSI1_D3-, CSI1_CLK+, CSI1_CLK- | -0.3 | 1.44 | V |
| Junction temperature, T_J | | | 150 | °C |
| Storage temperature, T_{stg} | | -65 | 150 | °C |

- (1) Stresses beyond those listed under *Absolute Maximum Ratings* may cause permanent damage to the device. These are stress ratings only, which do not imply functional operation of the device at these or any other conditions beyond those indicated under *Recommended Operating Conditions*. Exposure to absolute-maximum-rated conditions for extended periods may affect device reliability.
- (2) If Military/Aerospace specified devices are required, please contact the Texas Instruments Sales Office or Distributors for availability and specifications.

6.2 ESD Ratings

| | | | | VALUE | UNIT |
|-------------|-------------------------|--|--|--------|------|
| $V_{(ESD)}$ | Electrostatic discharge | Human-body model (HBM), per AEC Q100-002 ⁽¹⁾ | | ±8000 | V |
| | | Charged-device model (CDM), per AEC Q100-011 | | ±1250 | |
| | | IEC 61000-4-2 $R_D = 330 \Omega$, $C_S = 150 \text{ pF}$ | Contact Discharge (R_{IN0+} , R_{IN0-} , R_{IN1+} , R_{IN1-}) | ±8000 | |
| | | | Air-gap Discharge (R_{IN0+} , R_{IN0-} , R_{IN1+} , R_{IN1-}) | ±15000 | |
| | | ISO 10605 $R_D = 330 \Omega$, $C_S = 150$ and 330 pF $R_D = 2 \text{ k}\Omega$, $C_S = 150$ and 330 pF | Contact Discharge (R_{IN0+} , R_{IN0-} , R_{IN1+} , R_{IN1-}) | ±8000 | |
| | | | Air-gap Discharge (R_{IN0+} , R_{IN0-} , R_{IN1+} , R_{IN1-}) | ±15000 | |

- (1) AEC Q100-002 indicates that HBM stressing shall be in accordance with the ANSI/ESDA/JEDEC JS-001 specification.

6.3 Recommended Operating Conditions

Over operating free-air temperature range (unless otherwise noted)

| | | MIN | NOM | MAX | UNIT |
|---|----------------------------------|------|-----|------|------|
| Supply voltage | $V_{(VDD33)}$ | 3 | 3.3 | 3.6 | V |
| | $V_{(VDD12)}$ | 1.14 | 1.2 | 1.26 | V |
| LVCMOS I/O supply voltage | $V_{(VDDIO)} = 3.3 \text{ V}$ | 3 | 3.3 | 3.6 | V |
| | OR $V_{(VDDIO)} = 1.8 \text{ V}$ | 1.71 | 1.8 | 1.89 | V |
| Open-drain voltage | I2C pins = $V_{(I2C)}$ | 1.71 | | 3.6 | V |
| Operating free air temperature, T_A | | -40 | 25 | 105 | °C |
| Pixel clock frequency (single link) | | 25 | | 96 | MHz |
| Pixel clock frequency (dual link) | | 50 | | 170 | MHz |
| Local I ² C frequency, f_{I2C} | | | | 1 | MHz |

Recommended Operating Conditions (continued)

Over operating free-air temperature range (unless otherwise noted)

| | | MIN | NOM | MAX | UNIT |
|-----------------------------|------------------------------|-----|-----|-----|-------------------|
| Supply noise ⁽¹⁾ | V _(VDD33) | | | 100 | mV _{P-P} |
| | V _(VDDIO) = 3.3 V | | | 100 | mV _{P-P} |
| | V _(VDDIO) = 1.8 V | | | 50 | mV _{P-P} |
| | V _(VDD12) | | | 25 | mV _{P-P} |

(1) DC to 50 MHz.

6.4 Thermal Information

| THERMAL METRIC ⁽¹⁾ | | DS90UB940N-Q1 | UNIT |
|-------------------------------|--|---------------|------|
| | | NKD (WQFN) | |
| | | 64 PINS | |
| R _{θJA} | Junction-to-ambient thermal resistance | 24.8 | °C/W |
| R _{θJC(top)} | Junction-to-case (top) thermal resistance | 6.2 | °C/W |
| R _{θJB} | Junction-to-board thermal resistance | 3.6 | °C/W |
| ψ _{JT} | Junction-to-top characterization parameter | 0.1 | °C/W |
| ψ _{JB} | Junction-to-board characterization parameter | 3.6 | °C/W |
| R _{θJC(bot)} | Junction-to-case (bottom) thermal resistance | 0.6 | °C/W |

(1) For more information about traditional and new thermal metrics, see the *Semiconductor and IC Package Thermal Metrics* application report.

6.5 DC Electrical Characteristics

Over recommended operating supply and temperature ranges unless otherwise specified.

| PARAMETER | | TEST CONDITIONS | PIN/FREQ. | MIN | TYP | MAX | UNIT |
|--------------------------|---|---|----------------|-----|-----|-----|------|
| POWER CONSUMPTION | | | | | | | |
| P _T | Total power consumption, normal operation | Checkerboard pattern, 170 MHz. See Figure 1 . 2-lane FPD-Link III input, 2 MIPI lanes output | VDD | | 628 | 875 | mW |
| P _Z | Total power consumption, power-down mode | PDB = 0 V | | | 10 | 45 | mW |
| SUPPLY CURRENT | | | | | | | |
| IDD12 | Supply current, normal operation | Checkerboard pattern, 96 MHz. See Figure 1 . 1-lane FPD-Link III input, 2 MIPI lanes output | VDD12 = 1.2 V | | 150 | 250 | mA |
| IDD33 | Supply current, normal operation | | VDD33 = 3.6 V | | 90 | 122 | mA |
| IDDIO | Supply current, normal operation | | VDDIO = 1.89 V | | 1 | 6 | mA |
| | | | VDDIO = 3.6 V | | 1 | 6 | mA |
| IDD12 | Supply current, normal operation | Checkerboard pattern, 96 MHz. See Figure 1 . 1-lane FPD-Link III input, 4 MIPI lanes output | VDD12 = 1.2 V | | 125 | 225 | mA |
| IDD33 | Supply current, normal operation | | VDD33 = 3.6 V | | 90 | 122 | mA |
| IDDIO | Supply current, normal operation | | VDDIO = 1.89 V | | 1 | 6 | mA |
| | | | VDDIO = 3.6 V | | 1 | 6 | mA |
| IDD12 | Supply current, normal operation | Checkerboard pattern, 170 MHz. See Figure 1 . 2-lane FPD-Link III input, 2 MIPI lanes output | VDD12 = 1.2 V | | 250 | 345 | mA |
| IDD33 | Supply current, normal operation | | VDD33 = 3.6 V | | 90 | 122 | mA |
| IDDIO | Supply current, normal operation | | VDDIO = 1.89 V | | 1 | 6 | mA |
| | | | VDDIO = 3.6 V | | 1 | 6 | mA |

DC Electrical Characteristics (continued)

Over recommended operating supply and temperature ranges unless otherwise specified.

| PARAMETER | | TEST CONDITIONS | PIN/FREQ. | MIN | TYP | MAX | UNIT |
|--|----------------------------------|---|---|-----------------------------|-----------------------------|-----|------|
| IDD12 | Supply current, normal operation | Checkerboard pattern, 170 MHz. See Figure 1 . 2-lane FPD-Link III input, 4 MIPI lanes output | VDD12 = 1.2 V | | 220 | 300 | mA |
| IDD33 | Supply current, normal operation | | VDD33 = 3.6 V | | 90 | 122 | mA |
| IDDIO | Supply current, normal operation | | VDDIO = 1.89 V | | 1 | 6 | mA |
| | | | VDDIO = 3.6 V | | 1 | 6 | mA |
| IDD12Z | Supply current, power-down mode | PDB = 0 V | VDD12 = 1.2 V | | 2 | 30 | mA |
| IDD33Z | Supply current, power-down mode | | VDD33 = 3.6 V | | 2 | 8 | mA |
| IDDIOZ | Supply current, power-down mode | | VDDIO = 1.89 V | | 0.1 | 0.3 | mA |
| | | | VDDIO = 3.6 V | | 0.1 | 0.3 | mA |
| 3.3-V LVCMOS I/O ($V_{VDDIO} = 3.3 V \pm 10\%$) | | | | | | | |
| V _{IH} | High level input voltage | | PDB, BISTEN | 2 | V _(VDDIO) | | V |
| V _{IL} | Low level input voltage | | | 0 | 0.8 | | V |
| V _{IH} | High level input voltage | | BISTC, GPIO[3:0], D_GPIO[3:0], I2S_DA, I2S_DB, I2S_DC, I2S_DD, I2S_CLK, I2S_WC, LOCK, PASS | 2 | V _(VDDIO) | | V |
| V _{IL} | Low level input voltage | | | 0 | 0.8 | | V |
| I _{IN} | Input current | V _{IN} = 0 V or V _(VDDIO) | | -10 | | 10 | μA |
| V _{OH} | High level output voltage | I _{OH} = -4 mA | | 2.4 | V _(VDDIO) | | V |
| V _{OL} | Low level output voltage | I _{OL} = 4 mA | | 0 | 0.4 | | V |
| I _{OS} | Output short-circuit current | V _{OUT} = 0 V | | | -55 | | mA |
| I _{OZ} | Tri-state output current | PDB = 0 V V _{OUT} = 0 V or V _(VDDIO) | | -20 | | 20 | μA |
| C _{IN} | Input capacitance | | | | | 10 | pF |
| I _{IN-STRAP} | Strap pin input current | V _{IN} = 0V or V _(VDDIO) | IDX, MODE_SEL0, MODE_SEL1 | -1 | | 1 | μA |
| 1.8-V LVCMOS I/O ($V_{VDDIO} = 1.8 V \pm 5\%$) | | | | | | | |
| V _{IH} | High level input voltage | | PDB, BISTEN | 1.55 | V _(VDDIO) | | V |
| V _{IL} | Low level input voltage | | | 0 | 0.35 × V _(VDDIO) | | V |
| V _{IH} | High level input voltage | | BISTC, GPIO[3:0], D_GPIO[3:0], I2S_DA, I2S_DB, I2S_DC, I2S_DD, I2S_CLK, I2S_WC, LOCK, PASS | 0.65 × V _(VDDIO) | V _(VDDIO) | | V |
| V _{IL} | Low level input voltage | | | 0 | 0.35 × V _(VDDIO) | | V |
| I _{IN} | Input current | V _{IN} = 0V or V _(VDDIO) | | -10 | | 10 | μA |
| V _{OH} | High level output voltage | I _{OH} = -4 mA | | V _(VDDIO) - 0.45 | V _(VDDIO) | | V |
| V _{OL} | Low level output voltage | I _{OL} = 4 mA | | 0 | 0.45 | | V |
| I _{OS} | Output short-circuit current | V _{OUT} = 0 V | | | -35 | | mA |
| I _{OZ} | Tri-state output current | PDB = 0 V V _{OUT} = 0 V or V _(VDDIO) | | -20 | | 20 | μA |
| C _{IN} | Input capacitance | | | | | 10 | pF |
| SERIAL CONTROL BUS ($V_{VDDIO} = 1.8 V \pm 5\%$ OR $3.3V \pm 10\%$) | | | | | | | |
| V _{IH} | Input high level | V _(VDDIO) = 3.0 V to 3.6 V | I2C_SDA, I2C_SCL | 2 | V _(VDDIO) | | V |
| V _{IL} | Input low level | V _(VDDIO) = 3.0 V to 3.6 V | | 0 | 0.9 | | V |
| V _{IH} | Input high level | V _(VDDIO) = 1.71 V to 1.89 V | | 1.575 | V _(VDDIO) | | V |
| V _{IL} | Input low level | V _(VDDIO) = 1.71 V to 1.89 V | | 0 | 0.9 | | V |
| V _{HYS} | Input hysteresis | | | | 50 | | mV |
| V _{OL} | Output low level | I _{OL} = 4 mA | | | 0 | 0.4 | V |
| I _{IN} | Input current | V _{IN} = 0 V or V _(VDDIO) | | | -10 | | 10 |

DC Electrical Characteristics (continued)

Over recommended operating supply and temperature ranges unless otherwise specified.

| PARAMETER | | TEST CONDITIONS | PIN/FREQ. | MIN | TYP | MAX | UNIT | |
|------------------------------------|--|-------------------------|---|------|-----|------|----------|----|
| FPD-LINK III INPUT | | | | | | | | |
| V_{TH} | Differential threshold high voltage | $V_{CM} = 2.1\text{ V}$ | RIN0+, RIN0– RIN1+, RIN1– | 50 | | | mV | |
| V_{TL} | Differential threshold low voltage | | | –50 | | | mV | |
| V_{ID} | Input differential threshold | | | 100 | | | mV | |
| V_{CM} | Differential common-mode voltage | | | 2.1 | | | V | |
| R_T | Internal termination resistor - differential | | | 80 | 100 | 120 | Ω | |
| HSTX DRIVER | | | | | | | | |
| V_{CMTX} | HS transmit static common-mode voltage | | | 150 | 200 | 250 | mV | |
| $ \Delta V_{CMTX(1,0)} $ | V_{CMTX} mismatch when output is 1 or 0 | | | 5 | | | mV | |
| $ V_{OD} $ | HS transmit differential voltage | | | 140 | 200 | 270 | mV | |
| $ \Delta V_{OD} $ | V_{OD} mismatch when output is 1 or 0 | | | 14 | | | mV | |
| V_{OHHS} | HS output high voltage | | | 360 | | | mV | |
| Z_{OS} | Single-ended output impedance | | | 40 | 50 | 62.5 | Ω | |
| ΔZ_{OS} | Mismatch in single-ended output impedance | | | 10 | | | % | |
| LPTX DRIVER | | | | | | | | |
| V_{OH} | High-level output voltage | $I_{OH} = -4\text{ mA}$ | CSI0_D3±, CSI0_D2±, CSI0_D1±, CSI0_D0±, CSI0_CLK±, CSI1_D3±, CSI1_D2±, CSI1_D1±, CSI1_D0±, CSI1_CLK± | 1.05 | 1.2 | 1.3 | V | |
| V_{OL} | Low-level output voltage | $I_{OL} = 4\text{ mA}$ | | –50 | | | 50 | mV |
| Z_{OLP} | Output impedance | | | 110 | | | Ω | |
| LOOP-THROUGH MONITOR OUTPUT | | | | | | | | |
| V_{OD} | Differential output voltage | $R_L = 100\ \Omega$ | CMLOUTP, CMLOUTN | 360 | | | mV | |

6.6 AC Electrical Characteristics

Over recommended operating supply and temperature ranges unless otherwise specified.

| PARAMETER | | TEST CONDITIONS | PIN/FREQ. | MIN | TYP | MAX | UNIT |
|------------------------------------|---------------------------------------|--|---|------------------------------------|-----|-----|-------------------|
| GPIO BIT RATE | | | | | | | |
| R _{b,FC} | Forward channel bit rate | PCLK = 25 MHz - 170 MHz ⁽¹⁾ | GPIO[3:0] | 0.25 x PCLK | | | Mbps |
| R _{b,BC} | Back channel bit rate | | | 133 | | | kbps |
| R _{b,BC} | Back channel bit rate | High speed (2-lane mode), 1 D_GPIO active See Table 3 | D_GPIO[3:0] | 2 | | | Mbps |
| | | High speed (2-lane mode), 2 D_GPIOs active See Table 3 . | | 1.33 | | | Mbps |
| | | High speed (2-lane mode), 4 D_GPIOs active See Table 3 | | 800 | | | kbps |
| | | Normal mode — see Table 3 | | 133 | | | kbps |
| t _{GPIO,FC} | GPIO pulse width, forward channel | | GPIO[3:0] | > 2 / PCLK ⁽¹⁾ | | | s |
| t _{GPIO,BC} | GPIO pulse width, back channel | | GPIO[3:0] | 20 | | | μs |
| RESET | | | | | | | |
| t _{LRST} | PDB reset low pulse | | PDB | 2 | | | ms |
| LOOP-THROUGH MONITOR OUTPUT | | | | | | | |
| E _W | Differential output eye opening width | R _L = 100 Ω, jitter frequency > PCLK ⁽¹⁾ / 40 | CMLOUTP, CMLOUTN | 0.4 | | | UI ⁽²⁾ |
| E _H | Differential output eye height | See Figure 2 | | > 300 | | | mV |
| FPD-LINK III INPUT | | | | | | | |
| t _{DDL} | Lock time | See Figure 4 | RIN0+, RIN0–, RIN1+, RIN1– | 5 | 10 | | ms |
| t _{JIT} | Input jitter | Single Lane PCLK = 96 MHz f _{JIT} > PCLK/20 BER < 1E-10 10-m DACAR535-2 STQ | RIN0+, RIN0–, RIN1+, RIN1– | 0.3 | | | UI ⁽²⁾ |
| | | Dual Lane PCLK = 170 MHz f _{JIT} > PCLK/20 BER < 1E-10 10-m DACAR535-2 STQ | | | | | |
| I2S TRANSMITTER | | | | | | | |
| t _{J,I2S} | Clock output jitter | | I2S_CLK | 2 | | | ns |
| t _{I2S} | I2S clock period ⁽³⁾ | See Figure 9 | | >2 / PCLK ⁽¹⁾ or >77 | | | ns |
| t _{HC,I2S} | I2S clock high time ⁽³⁾ | See Figure 9 | | 0.48 | | | t _{I2S} |
| t _{LC,I2S} | I2S clock low time ⁽³⁾ | See Figure 9 | | 0.48 | | | t _{I2S} |
| t _{SR,I2S} | I2S set-up time | See Figure 9 | I2S_DA, I2S_DB, I2S_DC, I2S_DD | 0.4 | | | t _{I2S} |
| t _{HR,I2S} | I2S hold time | See Figure 9 | | 0.4 | | | t _{I2S} |

(1) PCLK refers to the equivalent pixel clock frequency, which is equal to the FPD-Link III line rate / 35.

(2) UI – Unit Interval is equivalent to one serialized data bit width. For Single Lane mode 1UI = 1 / (35*PCLK). For Dual Lane mode, 1UI = 1 / (35*PCLK/2). The UI scales with PCLK frequency.

(3) I2S specifications for t_{LC,I2S} and t_{HC,I2S} pulses must each be greater than 1 period to ensure sampling and supersedes the 0.35 x t_{I2S} requirement. t_{LC,I2S} and t_{HC,I2S} must be longer than the greater of either 0.35 x t_{I2S} or 2 x PCLK.

6.7 Timing Requirements for the Serial ControlBus

Over I²C supply and temperature ranges unless otherwise specified.

| PARAMETER | | TEST CONDITIONS | MIN | MAX | UNIT |
|---------------------|---|-----------------|------|------|------|
| f _{SCL} | SCL clock frequency | Standard mode | > 0 | 100 | kHz |
| | | Fast mode | > 0 | 400 | kHz |
| | | Fast plus mode | > 0 | 1 | MHz |
| t _{LOW} | SCL low period | Standard mode | 4.7 | | μs |
| | | Fast mode | 1.3 | | μs |
| | | Fast plus mode | 0.5 | | μs |
| t _{HIGH} | SCL high period | Standard mode | 4 | | μs |
| | | Fast mode | 0.6 | | μs |
| | | Fast plus mode | 0.26 | | μs |
| t _{HD,STA} | Hold time for a start or a repeated start condition Figure 8 | Standard mode | 4 | | μs |
| | | Fast mode | 0.6 | | μs |
| | | Fast plus mode | 0.26 | | μs |
| t _{SU,STA} | Set-up time for a start or a repeated start condition Figure 8 | Standard mode | 4.7 | | μs |
| | | Fast mode | 0.6 | | μs |
| | | Fast plus mode | 0.26 | | μs |
| t _{HD,DAT} | Data hold time Figure 8 | Standard mode | 0 | | μs |
| | | Fast mode | 0 | | μs |
| | | Fast plus mode | 0 | | μs |
| t _{SU,DAT} | Data set-up time Figure 8 | Standard mode | 250 | | ns |
| | | Fast mode | 100 | | ns |
| | | Fast plus mode | 50 | | ns |
| t _{SU,STO} | Set-up time for STOP condition Figure 8 | Standard mode | 4 | | μs |
| | | Fast mode | 0.6 | | μs |
| | | Fast plus mode | 0.26 | | μs |
| t _{BUF} | Bus free time between STOP and START Figure 8 | Standard mode | 4.7 | | μs |
| | | Fast mode | 1.3 | | μs |
| | | Fast plus mode | 0.5 | | μs |
| t _r | SCL and SDA rise time, Figure 8 | Standard mode | | 1000 | ns |
| | | Fast mode | | 300 | ns |
| | | Fast plus mode | | 120 | ns |
| t _f | SCL and SDA fall time, Figure 8 | Standard mode | | 300 | ns |
| | | Fast mode | | 300 | ns |
| | | Fast plus mode | | 120 | ns |
| C _b | Capacitive load for each bus line | Standard mode | | 400 | pF |
| | | Fast mode | | 400 | pF |
| | | Fast plus mode | | 200 | pF |
| t _{SP} | Input filter | Fast mode | | 50 | ns |
| | | Fast plus mode | | 50 | ns |

6.8 Switching Characteristics

Over recommended operating supply and temperature ranges unless otherwise specified.

| PARAMETER | | TEST CONDITIONS | PIN/FREQ. | MIN | TYP | MAX | UNIT |
|--------------------------------------|---|---|--|------|------------------------------|------|-------------------|
| HSTX DRIVER | | | | | | | |
| HSTX _{DBR} | Data bit rate | MIPI 2 lanes | CSI0_D0± CSI0_D1± CSI0_D2± CSI0_D3± CSI1_D0± CSI1_D1± CSI1_D2± CSI1_D3± CSI0_CLK± CSI1_CLK± | 350 | | 1344 | Mbps |
| | | MIPI 4 lanes | | 175 | | 1190 | |
| fCLK | DDR Clock frequency | MIPI 2 lanes | | 175 | | 672 | MHz |
| | | MIPI 4 lanes | | 87.5 | | 595 | |
| ΔV _{CMTX(HF)} | Common mode voltage variations HF | Above 450 MHz | | | | 15 | mV _{RMS} |
| ΔV _{CMTX(LF)} | Common mode voltage variations LF | Between 50 and 450 MHz | | | | 25 | mV _{RMS} |
| t _{RHS} t _{FHS} | 20% to 80% rise and fall HS | HS bit rates ≤ 1 Gbps (UI ≥ 1 ns) | | | | 0.3 | UI |
| | | HS bit rates > 1 Gbps (UI < 1 ns) | | | | 0.35 | UI |
| | | Applicable for all HS bit rates. However, to avoid excessive radiation, bit rates ≤ 1 Gbps (UI ≥ 1 ns), must not use values below 150 ps. | | | 100 | | ps |
| SDD _{TX} | TX differential return loss | f _{LPMAX} | | | | -18 | dB |
| | | f _H | | | -9 | dB | |
| | | f _{MAX} | | | -3 | dB | |
| LPTX DRIVER | | | | | | | |
| t _{RLP} | Rise time LP ⁽¹⁾ | 15% to 85% rise time | | | 25 | ns | |
| t _{FLP} | Fall time LP ⁽¹⁾ | 15% to 85% fall time | | | 25 | ns | |
| t _{REOT} | Rise time post-EoT ⁽¹⁾ | 30% to 85% rise time | | | 35 | ns | |
| t _{LP-PULSE-TX} | Pulse width of the LP exclusive-OR clock ⁽¹⁾ | First LP exclusive-OR clock pulse after stop state or last pulse before stop state | | 40 | | ns | |
| | | All other pulses | | | | | |
| t _{LP-PER-TX} | Period of the LP exclusive-OR clock | | | | | | |
| DV/DtSR | Slew rate ⁽¹⁾ | C _{LOAD} = 0 pF | | | | 500 | mV/ns |
| | | C _{LOAD} = 5 pF | | | | 300 | mV/ns |
| | | C _{LOAD} = 20 pF | | | | 250 | mV/ns |
| | | C _{LOAD} = 70 pF | | | | 150 | mV/ns |
| | | C _{LOAD} = 0 to 70 pF (falling edge only) | | | 30 | | mV/ns |
| | | C _{LOAD} = 0 to 70 pF (rising edge only) | | | 30 | | mV/ns |
| | | C _{LOAD} = 0 to 70 pF (rising edge only) | | | 30 – 0.075 × (VO,INST – 700) | | mV/ns |
| C _{LOAD} | Load capacitance ⁽¹⁾ | | | 0 | | 70 | pF |

(1) C_{LOAD} includes the low-frequency equivalent transmission line capacitance. The capacitance of TX and RX are assumed to always be <10 pF. The distributed line capacitance can be up to 50 pF for a transmission line with 2-ns delay.

Switching Characteristics (continued)

Over recommended operating supply and temperature ranges unless otherwise specified.

| PARAMETER | | TEST CONDITIONS | PIN/FREQ. | MIN | TYP | MAX | UNIT |
|---|---|---------------------------------------|------------------------|--------------------------------|-----|----------------------|-------------|
| DATA-CLOCK TIMING SPECIFICATIONS (Figure 10) | | | | | | | |
| UI_{INST} | UI instantaneous | f_{CLK} = CSI-2 DDR clock frequency | CSI0_D0± CSI0_D1± | $1/(f_{CLK} \times 2)$ | | | UI |
| ΔUI | UI variation | $UI \geq 1$ ns | CSI0_D2± CSI0_D3± | -10% | | 10% | UI |
| | | $UI < 1$ ns | CSI1_D0± CSI1_D1± | -5% | | 5% | UI |
| $t_{SKEW(TX)}$ | Data to clock skew (measured at transmitter) | Data rate ≤ 1 Gbps | CSI1_D2± CSI1_D3± | -0.15 | | 0.15 | UI_{INST} |
| | Skew between clock and data from ideal center | Data rate > 1 Gbps | CSI0_CLK± CSI1_CLK± | -0.2 | | 0.2 | UI_{INST} |
| CSI-2 TIMING SPECIFICATIONS (Figure 11, Figure 12) | | | | | | | |
| $t_{CLK-MISS}$ | Timeout for receiver to detect absence of clock transitions and disable the clock lane HS-RX | | | 60 | | | ns |
| $t_{CLK-POST}$ | HS exit | | | $60 + 52 \times UI$ | | | ns |
| $t_{CLK-PRE}$ | Time HS clock shall be driver prior to any associated data lane beginning the transition from LP to HS mode | | CSI0_D0± CSI0_D1± | 8 | | | UI |
| $t_{CLK-PREPARE}$ | Clock lane HS Entry | | CSI0_D2± CSI0_D3± | 38 | | 95 | ns |
| $t_{CLK-SETTLE}$ | Time interval during which the HS receiver shall ignore any clock lane HS transitions | | CSI1_D0± CSI1_D1± | 95 | | 300 | ns |
| $t_{CLK-TERM-EN}$ | Timeout at clock lane display module to enable HS Termination | | CSI1_D2± CSI1_D3± | Time for Dn to reach VTERM-EN | | 38 | ns |
| $t_{CLK-TRAIL}$ | Time that the transmitter drives the HS-0 state after the last payload clock bit of a HS transmission burst | | CSI0_CLK± CSI1_CLK± | 60 | | | ns |
| $t_{CLK-PREPARE} + t_{CLK-ZERO}$ | TCLK-PREPARE + time that the transmitter drives the HS-0 state prior to starting the Clock | | | 300 | | | ns |
| $t_{D-TERM-EN}$ | Time for the Data Lane receiver to enable the HS line termination | | | Time for Dn to reach V-TERM-EN | | $35 + 4 \times UI$ | ns |
| t_{EOT} | Transmitted time interval from the start of $t_{HS-TRAIL}$ to the start of the LP-11 state following a HS burst | see ⁽²⁾ | | | | $105 + 12 \times UI$ | ns |
| $t_{HS-EXIT}$ | Time that the transmitter drives LP=11 following a HS burst | | | 100 | | | ns |
| $t_{HS-PREPARE}$ | Data lane HS entry | | | $40 + 4 \times UI$ | | $85 + 6 \times UI$ | ns |
| $t_{HS-PREPARE} + t_{HS-ZERO}$ | $t_{HS-PREPARE}$ + time that the transmitter drives the HS-0 state prior to transmitting the sync sequence | | | $145 + 10 \times UI$ | | | ns |
| $t_{HS-SETTLE}$ | Time interval during which the HS receiver ignores any data lane HS transitions, starting from the beginning of $t_{HS-SETTLE}$ | | | $85 + 6 \times UI$ | | $145 + 10 \times UI$ | ns |
| $t_{HS-SKIP}$ | Time interval during which the HS-RX should ignore any transitions on the data lane, following a HS burst. The end point of the interval is defined as the beginning of the LP-11 state following the HS burst. | | | 40 | | $55 + 4 \times UI$ | ns |
| $t_{HS-TRAIL}$ | Data lane HS exit | | | $60 + 4 \times UI$ | | | ns |
| t_{LPX} | Transmitted length of LP state | | | 50 | | | ns |

- (2) a. 1280 x 720p60; PCLK = 74.25 MHz; 4 MIPI lanes Reg0x6C=0x02; Reg0x6D=0x84
b. 1280 x 720p60; PCLK = 74.25MHz; 2 MIPI lanes Reg0x6C=0x02; Reg0x6D=0x89
c. 640 x 480p60; PCLK = 25 MHz; 4 MIPI lanes Reg0x6C=0x02; Reg0x6D=0x82
d. 640 x 480p60; PCLK = 25 MHz; 2 MIPI lanes Reg0x6C=0x02; Reg0x6D=0x83
e. Other video formats may require additional register configuration.

Switching Characteristics (continued)

Over recommended operating supply and temperature ranges unless otherwise specified.

| PARAMETER | | TEST CONDITIONS | PIN/FREQ. | MIN | TYP | MAX | UNIT |
|--------------|---|-----------------|-----------|-----|-----|-----|------|
| t_{WAKEUP} | Recovery time from ultra-low-power state (ULPS) | | | 1 | | | ms |

6.9 Timing Diagrams and Test Circuits

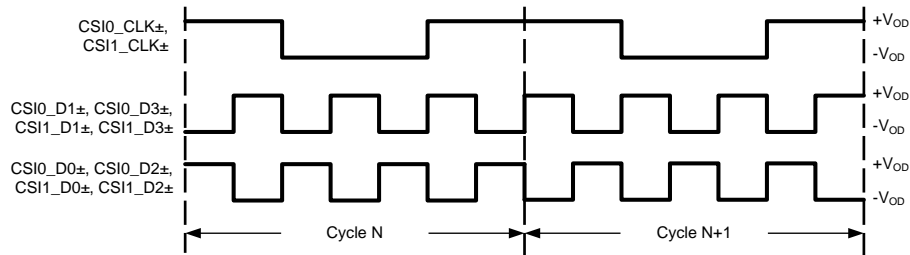


Figure 1. Checkerboard Data Pattern

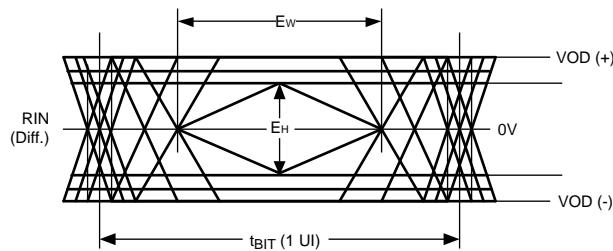


Figure 2. CML Output Driver

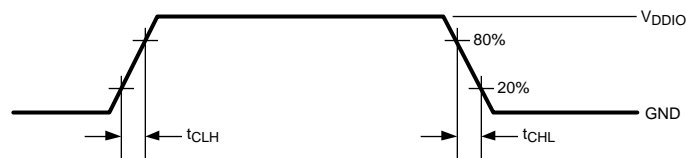


Figure 3. LVCMOS Transition Times

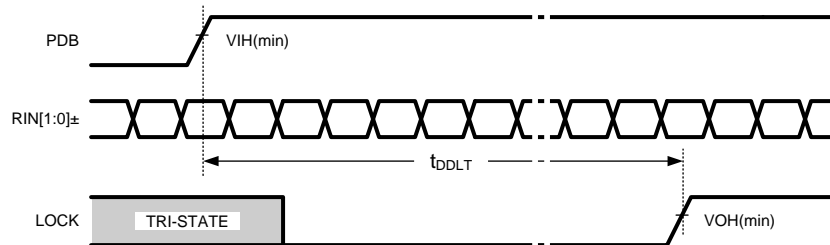


Figure 4. PLL Lock Time

Timing Diagrams and Test Circuits (continued)

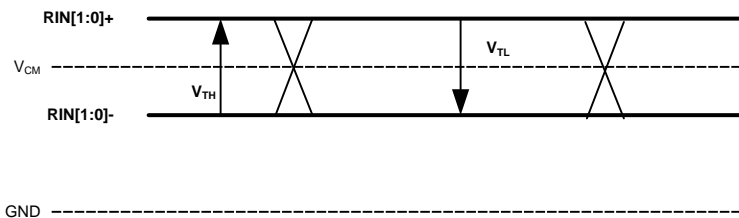


Figure 5. FPD-Link III Receiver DC V_{TH}/V_{TL} Definition

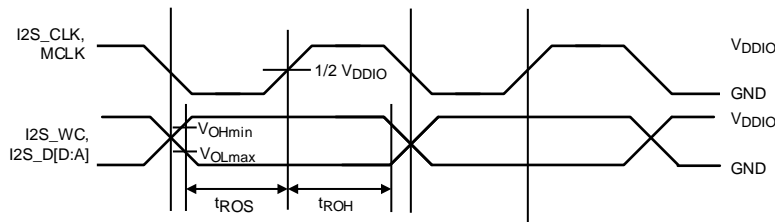


Figure 6. Output Data Valid (Setup and Hold) Times

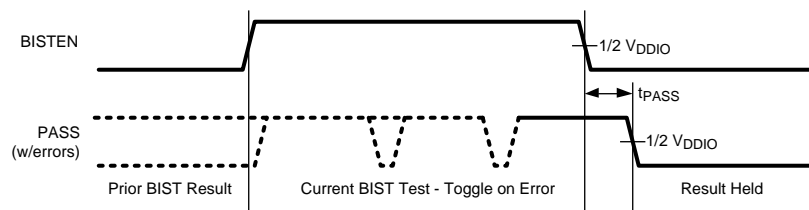


Figure 7. BIST PASS Waveform

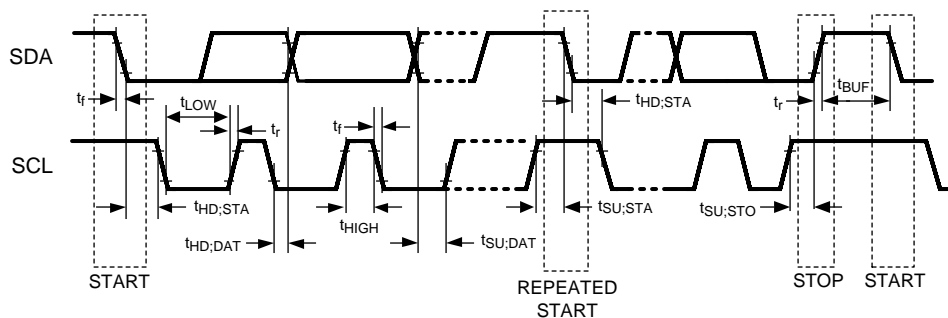


Figure 8. Serial Control Bus Timing Diagram

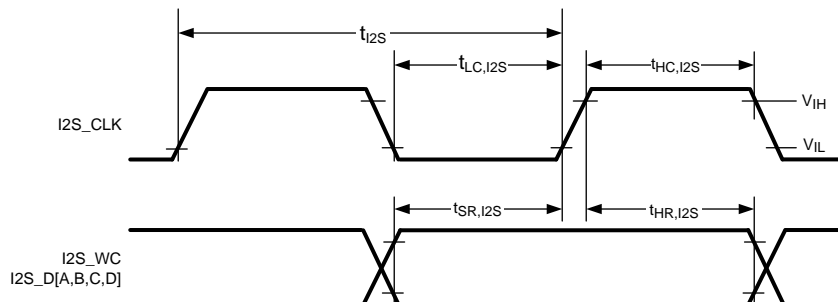


Figure 9. I2S Timing

Timing Diagrams and Test Circuits (continued)

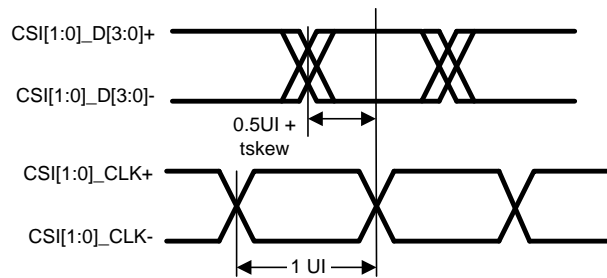


Figure 10. Clock and Data Timing in HS Transmission

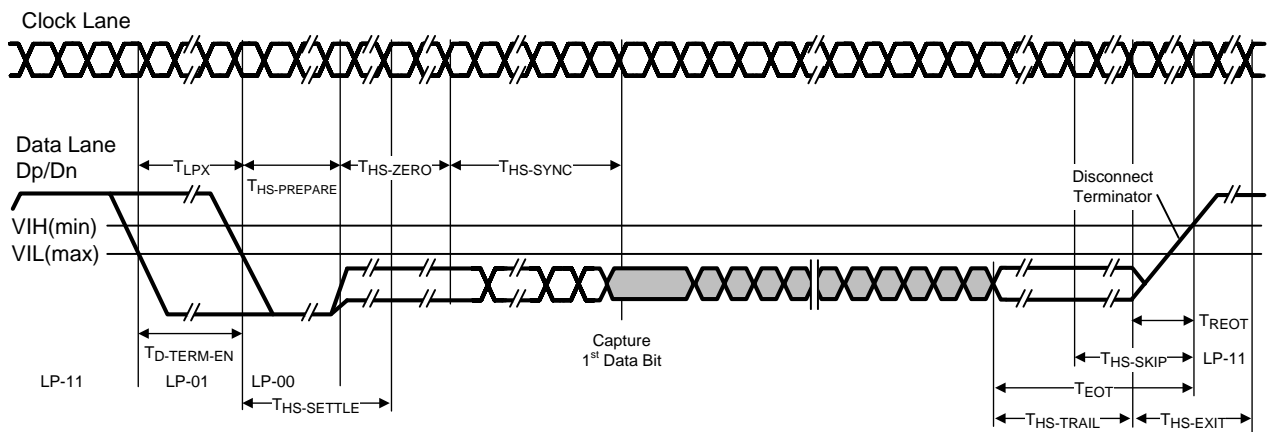


Figure 11. High-Speed Data Transmission Burst

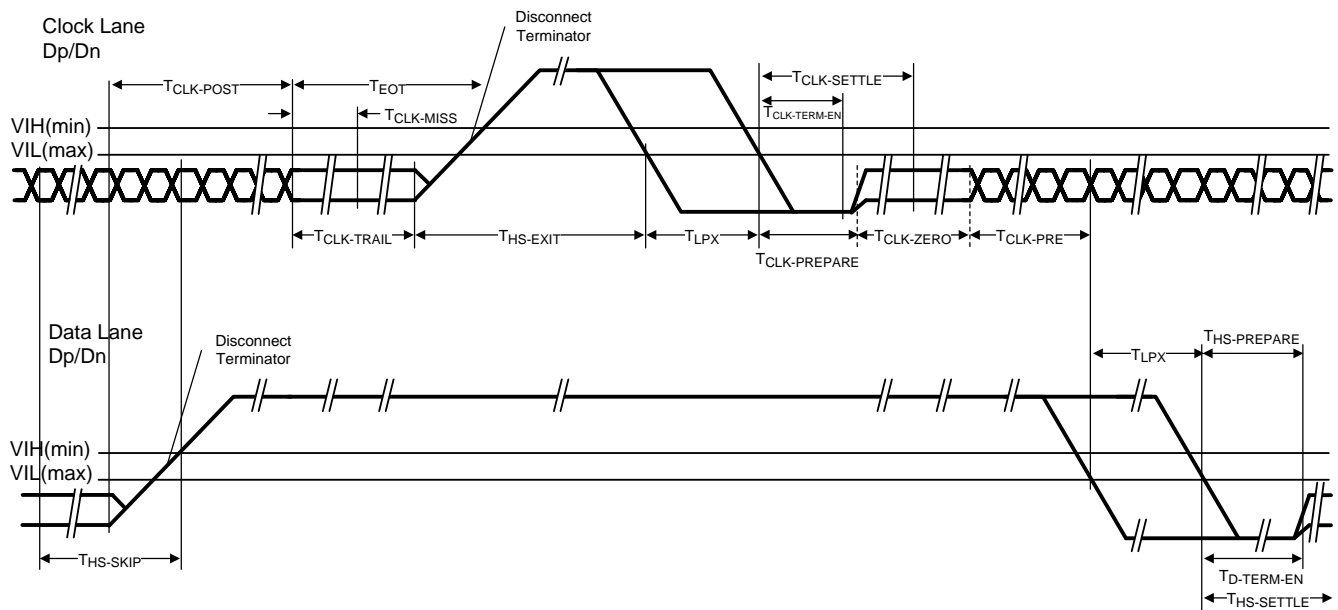


Figure 12. Switching the Clock Lane Between Clock Transmission and Low-Power Mode

Timing Diagrams and Test Circuits (continued)

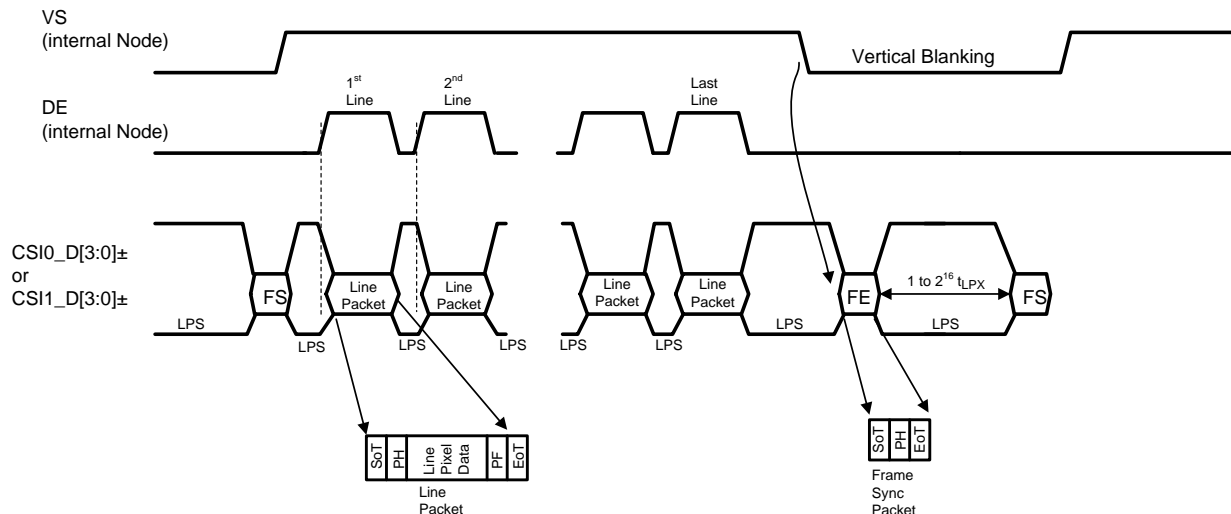


Figure 13. Long Line Packets and Short Frame Sync Packets

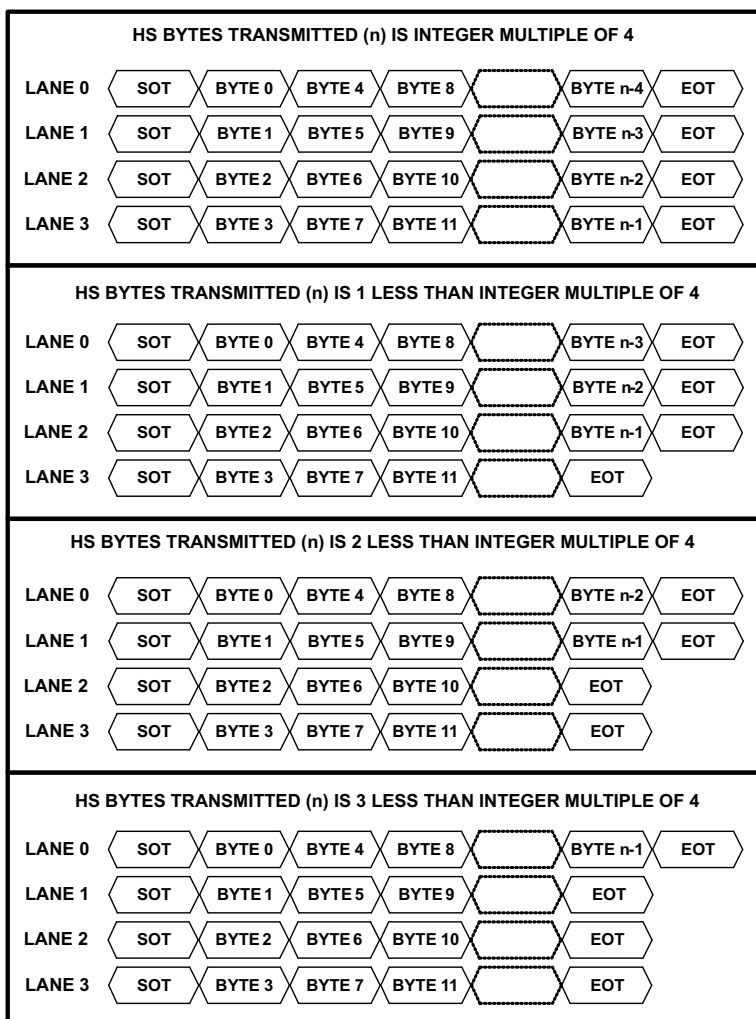


Figure 14. 4 MIPI® Data Lane Configuration

Timing Diagrams and Test Circuits (continued)

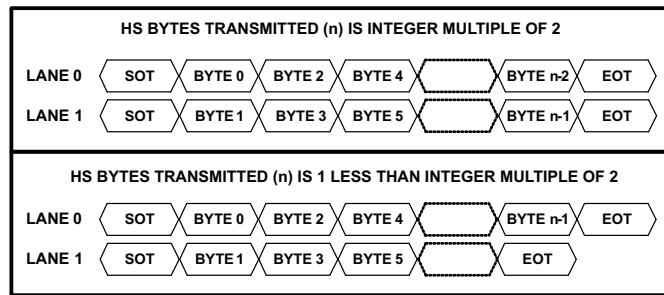


Figure 15. 2 MIPI® Data Lane Configuration

6.10 Typical Characteristics

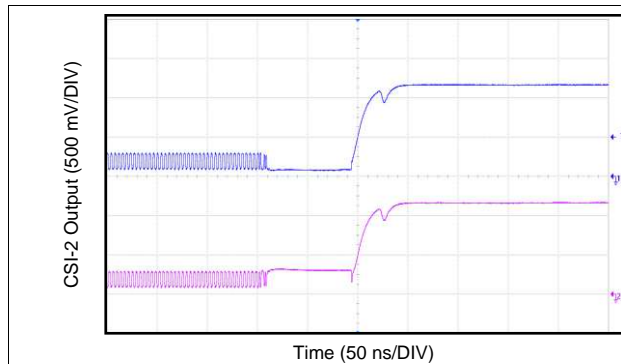


Figure 16. CSI-2 D0± End of Transmission

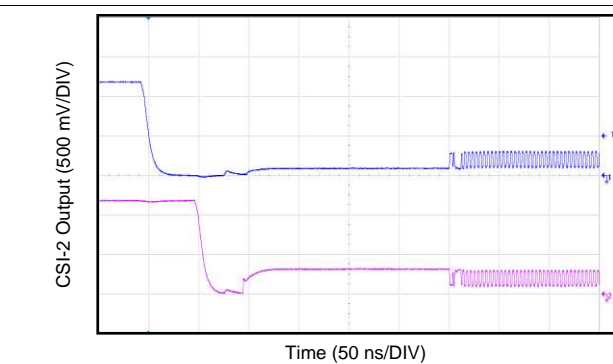


Figure 17. CSI-2 D0± Start of Transmission

7 Detailed Description

7.1 Overview

The DS90UB940N-Q1 receives a 35-bit symbol over single or dual serial FPD-Link III pairs that operate up to 3.36-Gbps in 1-lane FPD-Link III mode and 2.975 Gbps per lane in 2-lane FPD-Link III mode. The DS90UB940N-Q1 converts this stream into a CSI-2 MIPI Interface (4 data channels + 1 clock, or 8 data channels + 2 clocks in replicate mode). The FPD-Link III serial stream contains an embedded clock, video control signals, audio, GPIOs, I2C, and DC-balanced video and audio data that can enhance signal quality to support AC coupling.

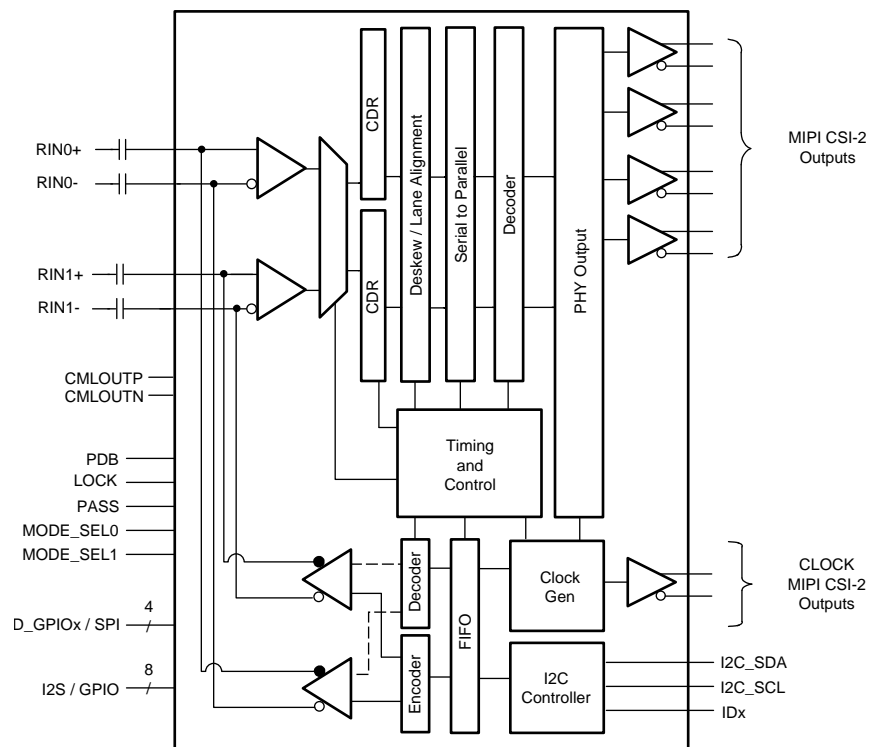
The DS90UB940N-Q1 was designed to be used with the DS90UB949-Q1 or DS90UB947-Q1 serializers, but the device is backward-compatible with the DS90UB925Q-Q1, DS90UB925AQ-Q1, and DS90UB927Q-Q1 FPD-Link III serializers.

The DS90UB940N-Q1 deserializer can lock to a data stream without the use of a separate reference clock source, which can help simplify system design and lower cost. The deserializer also synchronizes to the serializer regardless of the data pattern, delivering true automatic *plug and lock* performance. The deserializer can also lock to the incoming serial stream without the need of special training patterns or sync characters. The deserializer recovers the clock and data by extracting the embedded clock information, validating, then deserializing the incoming data stream.

The DS90UB940N-Q1 deserializer incorporates an I2C-compatible interface. The I2C-compatible interface allows the user to program the serializer or deserializer devices from a local host controller. The devices also incorporate a bidirectional control channel (BCC) that allows communication between the serializer and deserializer, as well as between remote I2C slave devices.

The bidirectional control channel (BCC) is implemented through embedded signaling in the high-speed forward channel (serializer to deserializer) combined with lower speed signaling in the reverse channel (deserializer to serializer). Through this interface, the BCC provides a mechanism to bridge I2C transactions across the serial link from one I2C bus to another. The implementation allows for arbitration with other I2C-compatible masters at either side of the serial link.

7.2 Functional Block Diagram



7.3 Feature Description

7.3.1 High-Speed Forward Channel Data Transfer

The high-speed forward channel is composed of 35 bits of data containing RGB data, sync signals, I2C, GPIOs, and I2S audio transmitted from serializer to deserializer. Figure 18 shows the serial stream per clock cycle. This data payload is optimized for signal transmission over an AC-coupled link. Data is randomized, balanced, and scrambled.



Figure 18. FPD-Link III Serial Stream

The DS90UB940N-Q1 supports clocks in the range of 25 MHz to 96 MHz over 1 lane, or 50 MHz to 170 MHz over 2 lanes. The FPD-Link III serial stream rate is 3.36 Gbps maximum (875 Mbps minimum) or 2.975 Gbps maximum per lane (875 Mbps minimum), respectively.

7.3.2 Low-Speed Back Channel Data Transfer

The Low-Speed Backward Channel provides bidirectional communication between the display and host processor. The information is carried from the deserializer to the serializer as serial frames. The back channel control data is transferred over both serial links along with the high-speed forward data, DC balance coding, and embedded clock information. This architecture provides a backward path across the serial link together with a high-speed forward channel. The back channel contains the I2C, CRC, and 4 bits of standard GPIO information with a 5-Mbps or 20-Mbps line rate (configured by MODE_SEL1).

7.3.3 FPD-Link III Port Register Access

Because the DS90UB940N-Q1 contains two ports, some registers must be duplicated to allow control and monitoring of the two ports. To facilitate this, PORT1_SEL and PORT0_SEL bits (0x34[1:0]) register controls access to the two sets of registers. Registers that are shared between ports (not duplicated) are available and independent of the settings in the PORT_SEL register.

Setting the PORT1_SEL and PORT0_SEL bit allows a read of the register for the selected port. If both bits are set, port1 registers are returned. Writes occur to ports for which the select bit is set, allowing simultaneous writes to both ports if both select bits are set.

7.3.4 Clock and Output Status

When PDB is driven HIGH, the CDR PLL begins locking to the serial input and the LOCK is set to tri-state or LOW (depending on the value of the OUTPUT ENABLE setting). After the deserializer completes its lock sequence to the input serial data, the LOCK output is driven HIGH to indicate valid data and alert the user that the clock recovered from the serial input is available on the LVCMOS and LVDS outputs. The state of the outputs is based on the OUTPUT ENABLE and OUTPUT SLEEP STATE SELECT register settings. See register 0x02 in Table 11. The D_GPIO are not controlled by OSS_SEL in all cases. Only in OEN low and OSS_SEL high does D_GPIO match the other GPIO behavior (high Z). In other cases, D_GPIO still operates as a normal output, instead of output Low.

Table 1. Output State Table

| INPUTS | | | | OUTPUTS | | | |
|--------------|-----|-------------------------------|---|---------|-----------------|------------------------------------|--------------|
| SERIAL INPUT | PDB | OUTPUT ENABLE Reg 0x02 [7] | OUTPUT SLEEP STATE SELECT Reg 0x02 [4] | LOCK | PASS | DATA GPIO / D_GPIO I2S | CSI-2 OUTPUT |
| X | L | X | X | Z | Z | Z | Z |
| X | H | L | L | L or H | L | L (D_GPIO per register setting) | HS0 |
| X | H | L | H | L or H | Z | Z | Z |
| Static | H | H | L | L | L | L | HS0 |
| Static | H | H | H | L | Previous status | L | HS0 |

Feature Description (continued)

Table 1. Output State Table (continued)

| INPUTS | | | | OUTPUTS | | | |
|--------------|-----|-------------------------------|--|---------|-------|---------------------------------------|--------------|
| SERIAL INPUT | PDB | OUTPUT ENABLE Reg 0x02 [7] | OUTPUT SLEEP STATE SELECT Reg 0x02 [4] | LOCK | PASS | DATA GPIO / D_GPIO I2S | CSI-2 OUTPUT |
| Active | H | H | L | H | L | L (D_GPIO per register setting) | HS0 |
| Active | H | H | H | H | Valid | Valid | Valid |

7.3.5 LVCMOS VDDIO Option

The 1.8-V or 3.3-V inputs and outputs are powered from a separate VDDIO supply to offer compatibility with external system interface signals.

NOTE

When configuring the VDDIO power supplies, all the single-ended data and control input pins for device must scale together with the same operating VDDIO levels.

7.3.6 Power Down (PDB)

The deserializer has a PDB input pin to ENABLE or POWER DOWN the device. This pin can be controlled by the host or through the VDDIO, where VDDIO = 3 V to 3.6 V or VDD33. To save power, disable the link when the display is not needed (PDB = LOW). When the pin is driven by the host, make sure to release the pin after VDD33 and VDDIO have reached final levels. No external components are required for this task. When the PDB input pin is driven by the VDDIO = 3 V to 3.6 V or VDD33 directly, a 10-k Ω resistor to the VDDIO = 3 V to 3.6 V or VDD33, and a >10- μ F capacitor to the GND are required (see [Figure 38](#)).

7.3.7 Interrupt Pin — Functional Description and Usage (INTB_IN)

The INTB_IN pin is an active low interrupt input pin. This interrupt signal, when configured, propagates to the paired serializer. Consult the appropriate serializer data sheet for details of how to configure this interrupt functionality.

1. On the serializer, set register 0xC6[5] = 1 and 0xC6[0] = 1.
2. Deserializer INTB_IN (pin 4) is set *LOW* by some downstream device.
3. Serializer pulls INTB pin *LOW*. The signal is active *LOW*, so a *LOW* indicates an interrupt condition.
4. External controller detects INTB = *LOW*. To determine interrupt source, read ISR register.
5. A read to ISR clears the interrupt at the Serializer, releasing INTB.
6. The external controller typically must then access the remote device to determine downstream interrupt source and clear the interrupt driving the deserializer INTB_IN. This would be when the downstream device releases the INTB_IN (pin 4) on the deserializer. The system is now ready to return to step (2) at next falling edge of INTB_IN.

7.3.8 General-Purpose I/O (GPIO)

The DS90UB940N-Q1 deserializer features standard general-purpose I/O (GPIO) and high-speed, general-purpose I/O (D_GPIO) pins. The D_GPIO pins are functional only in 2-lane FPD-Link III mode.

7.3.8.1 GPIOx and D_GPIOx Pin Configuration

In normal operation, GPIOx pins may be used as GPIOs in either forward channel (outputs) or back channel (inputs) mode. GPIO and D_GPIO modes may be configured through the registers ([Table 11](#)). The same registers configure either GPIOx or D_GPIOx pins, depending on the status of PORT1_SEL and PORT0_SEL bits (0x34[1:0]). D_GPIO mode operation requires 2-lane FPD-Link III mode. Consult the appropriate serializer data sheet for details on D_GPIOx pin configuration.

NOTE

If paired with a DS90UB925Q-Q1 serializer, the devices must be configured for 18-bit mode to allow usage of GPIO pins on the serializer.

To enable 18-bit mode, set the serializer register 0x12[2] = 1. After setting the serializer register, 18-bit mode is auto-loaded into the deserializer from the serializer. See [Table 2](#) for GPIOx pins enable and configuration.

Table 2. GPIO / D_GPIO Enable and Configuration

| DESCRIPTION | DEVICE | FORWARD CHANNEL | BACK CHANNEL |
|-----------------|--------------|-----------------|-----------------|
| GPIO3 / D_GPIO3 | Serializer | 0x0F[3:0] = 0x3 | 0x0F[3:0] = 0x5 |
| | Deserializer | 0x1F[3:0] = 0x5 | 0x1F[3:0] = 0x3 |
| GPIO2 / D_GPIO2 | Serializer | 0x0E[7:4] = 0x3 | 0x0E[7:4] = 0x5 |
| | Deserializer | 0x1E[7:4] = 0x5 | 0x1E[7:4] = 0x3 |
| GPIO1 / D_GPIO1 | Serializer | 0x0E[3:0] = 0x3 | 0x0E[3:0] = 0x5 |
| | Deserializer | 0x1E[3:0] = 0x5 | 0x1E[3:0] = 0x3 |
| GPIO0 / D_GPIO0 | Serializer | 0x0D[3:0] = 0x3 | 0x0D[3:0] = 0x5 |
| | Deserializer | 0x1D[3:0] = 0x5 | 0x1D[3:0] = 0x3 |

The input value present on GPIO[3:0] or D_GPIO[3:0] may also be read from register or configured to local output mode ([Table 11](#)).

The GPIO0 pin also includes PASS and SDOUT functions. To allow GPIO0 control, PASS needs to be disabled by clearing bit 1 in indirect CSI register 0x16.

The GPIO3 pin can also be programmed to be the PASS pin. To allow GPIO3 control, PASS needs to be disabled by clearing bit 2 in indirect CSI register 0x16.

7.3.8.2 Back Channel Configuration

The D_GPIO[3:0] pins can be configured to have different sampling rates depending on the mode or back channel frequency. The mode is controlled by register 0x43 ([Table 11](#)). The back channel frequency can be controlled in several ways:

1. Register 0x23[6] can set the divider that controls the back channel frequency based on the internal oscillator. 0x23[6] = 0 sets the divider to 4 and 0x23[6] = 1 sets the divider to 2. As long as BC_HS_CTL (0x23[4]) is set to 0, the back channel frequency is either 5 Mbps or 10 Mbps based on this bit.
2. Register 0x23[4] can enable the high-speed back channel. This can also be pin-strapped through MODE_SEL1 (see [Table 3](#)). This bit overrides 0x23[6] and sets the divider for the back channel frequency to 1. Setting this bit to 1 sets the back channel frequency to 20 Mbps.

The back channel frequency has variation of $\pm 20\%$.

NOTE

The back channel frequency must be set to 5 Mbps when paired with a DS90UB925Q-Q1, DS90UB925AQ-Q1, or DS90UB927Q-Q1. See [Table 3](#) for details about configuring the D_GPIOs in various modes.

Table 3. Back Channel D_GPIO Effective Frequency

| HSCC_MODE (0x43[2:0]) | MODE | NUMBER OF D_GPIOs | SAMPLES PER FRAME | D_GPIO EFFECTIVE FREQUENCY ⁽¹⁾ (kHz) | | | D_GPIOs ALLOWED |
|--------------------------|--------|----------------------|----------------------|---|---------------------------|---------------------------|--------------------|
| | | | | 5 Mbps BC ⁽²⁾ | 10 Mbps BC ⁽³⁾ | 20 Mbps BC ⁽⁴⁾ | |
| 000 | Normal | 4 | 1 | 33 | 66 | 133 | D_GPIO[3:0] |
| 011 | Fast | 4 | 6 | 200 | 400 | 800 | D_GPIO[3:0] |
| 010 | Fast | 2 | 10 | 333 | 666 | 1333 | D_GPIO[1:0] |
| 001 | Fast | 1 | 15 | 500 | 1000 | 2000 | D_GPIO0 |

- (1) The effective frequency assumes the worst-case back channel frequency (–20%) and a 4xsampling rate.
(2) 5 Mbps corresponds to BC_FREQ_SELECT = 0 & BC_HS_CTL = 0.
(3) 10 Mbps corresponds to BC_FREQ_SELECT = 1 & BC_HS_CTL = 0.
(4) 20 Mbps corresponds to BC_FREQ_SELECT = X & BC_HS_CTL = 1.

7.3.8.3 GPIO_REG[8:5] Configuration

The GPIO_REG[8:5] are register-only GPIOs and may be either programmed as outputs or read as inputs through local register bits only. Where applicable, these bits are shared with I2S pins and will override I2S input if enabled in GPIO_REG mode. See [Table 4](#) for GPIO enable and configuration.

NOTE

Local GPIO value may be configured and read either through local register access or remote register access through the low-speed bidirectional control channel. Configuration and state of these pins are not transported from serializer to deserializer as is the case for GPIO[3:0].

Table 4. GPIO_REG and GPIO Local Enable and Configuration

| DESCRIPTION | REGISTER CONFIGURATION | FUNCTION |
|-------------|------------------------|----------------------|
| GPIO9 | 0x1A[3:0] = 0x1 | Output, L |
| | 0x1A[3:0] = 0x9 | Output, H |
| | 0x1A[3:0] = 0x3 | Input, Read: 0x6F[1] |
| GPIO_REG8 | 0x21[7:4] = 0x1 | Output, L |
| | 0x21[7:4] = 0x9 | Output, H |
| | 0x21[7:4] = 0x3 | Input, Read: 0x6F[0] |
| GPIO_REG7 | 0x21[3:0] = 0x1 | Output, L |
| | 0x21[3:0] = 0x9 | Output, H |
| | 0x21[3:0] = 0x3 | Input, Read: 0x6E[7] |
| GPIO_REG6 | 0x20[7:4] = 0x1 | Output, L |
| | 0x20[7:4] = 0x9 | Output, H |
| | 0x20[7:4] = 0x3 | Input, Read: 0x6E[6] |
| GPIO_REG5 | 0x20[3:0] = 0x1 | Output, L |
| | 0x20[3:0] = 0x9 | Output, H |
| | 0x20[3:0] = 0x3 | Input, Read: 0x6E[5] |
| GPIO3 | 0x1F[3:0] = 0x1 | Output, L |
| | 0x1F[3:0] = 0x9 | Output, H |
| | 0x1F[3:0] = 0x3 | Input, Read: 0x6E[3] |
| GPIO2 | 0x1E[7:4] = 0x1 | Output, L |
| | 0x1E[7:4] = 0x9 | Output, H |
| | 0x1E[7:4] = 0x3 | Input, Read: 0x6E[2] |
| GPIO1 | 0x1E[3:0] = 0x1 | Output, L |
| | 0x1E[3:0] = 0x9 | Output, H |
| | 0x1E[3:0] = 0x3 | Input, Read: 0x6E[1] |

Table 4. GPIO_REG and GPIO Local Enable and Configuration (continued)

| DESCRIPTION | REGISTER CONFIGURATION | FUNCTION |
|-------------|------------------------|----------------------|
| GPIO0 | 0x1D[3:0] = 0x1 | Output, L |
| | 0x1D[3:0] = 0x9 | Output, H |
| | 0x1D[3:0] = 0x3 | Input, Read: 0x6E[0] |

7.3.9 SPI Communication

The SPI control channel uses the secondary link in a 2-lane FPD-Link III implementation. Two possible modes are available: forward channel and reverse channel mode. In forward channel mode, the SPI master is located at the serializer and allows the SPI data to flow in the same direction as the video data. In reverse channel mode, the SPI master is located at the deserializer and allows the SPI data to flow in the opposite direction of the video data.

The SPI control channel can operate in high-speed mode when writing data, but the SPI must operate at lower frequencies when reading data. During SPI reads, data is clocked from the slave to the master on the SPI clock falling edge. Thus, the SPI read must operate with a clock period that is greater than the round trip data latency. On the other hand, for SPI writes, data can be sent at much higher frequencies where the MISO pin can be ignored by the master.

SPI data rates are not symmetrical for the two modes of operation. Data over the forward channel can be sent much faster than data over the reverse channel.

NOTE

SPI cannot be used to access serializer or deserializer registers.

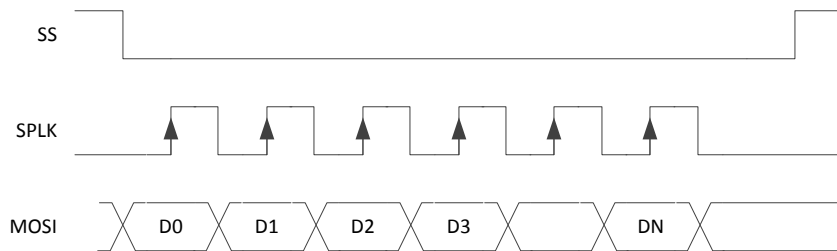
7.3.9.1 SPI Mode Configuration

SPI is configured over I2C using the high-speed control channel configuration (HSCC_CONTROL) register, 0x43 (see [Table 11](#)). HSCC_MODE (0x43[2:0]) must be configured for either high-speed, forward channel SPI mode (110) or high-speed, reverse channel SPI mode (111).

7.3.9.2 Forward Channel SPI Operation

In forward channel SPI operation, the SPI master located at the serializer generates the SPI clock (SPLK), master out / slave in data (MOSI), and active-low slave select (SS). The serializer oversamples the SPI signals directly using the video pixel clock. The three sampled values for SPLK, MOSI, and SS are each sent on data bits in the forward channel frame. At the deserializer, the SPI signals are regenerated using the pixel clock. To preserve setup and hold time, the deserializer holds MOSI data while the SPLK signal is high. The deserializer also delays SPLK by one pixel clock relative to the MOSI data, increasing setup by one pixel clock.

SERIALIZER



DESERIALIZER

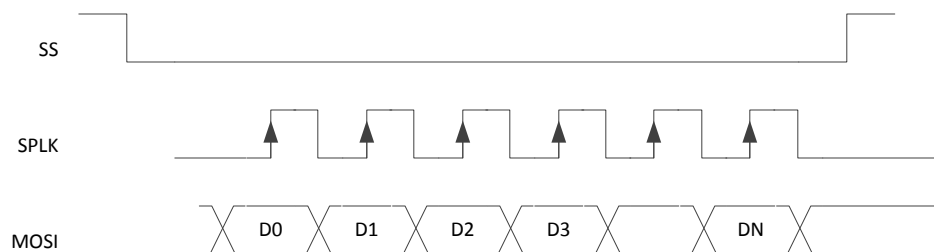
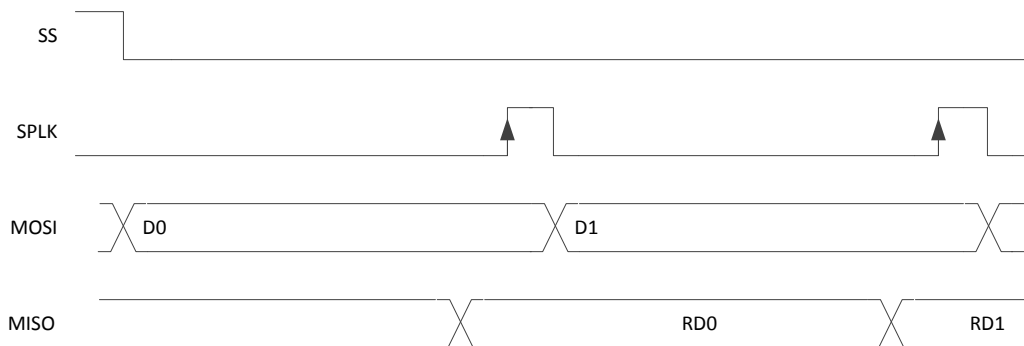


Figure 19. Forward Channel SPI Write

SERIALIZER



DESERIALIZER

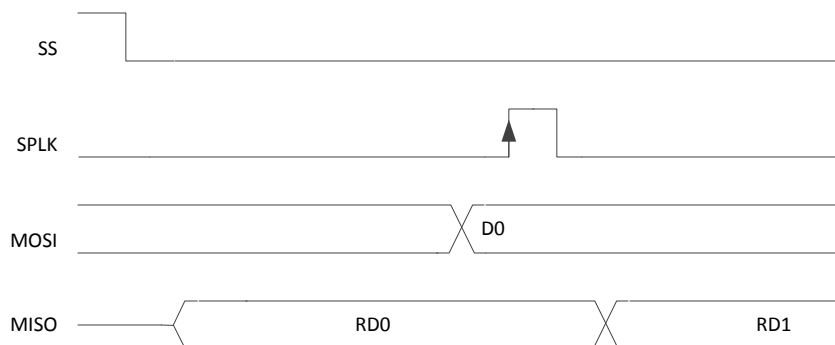


Figure 20. Forward Channel SPI Read

7.3.9.3 Reverse Channel SPI Operation

In reverse channel SPI operation, the deserializer samples the slave select (SS), SPI clock (SCLK) into the internal oscillator clock domain. Upon detection of the active SPI clock edge, the deserializer also samples the SPI data (MOSI). The SPI data samples are stored in a buffer to be passed to the serializer over the back channel. The deserializer sends SPI information in a back channel frame to the serializer. In each back channel frame, the deserializer sends an indication of the SS value. The SS must be inactive (high) for at least one back-channel frame period to ensure propagation to the serializer.

Because data is delivered in separate back channel frames and buffered, the data may be regenerated in bursts. [Figure 21](#) shows an example of the SPI data regeneration when the data arrives in three back channel frames. The first frame delivered the SS active indication, the second frame delivered the first three data bits, and the third frame delivers the additional data bits.

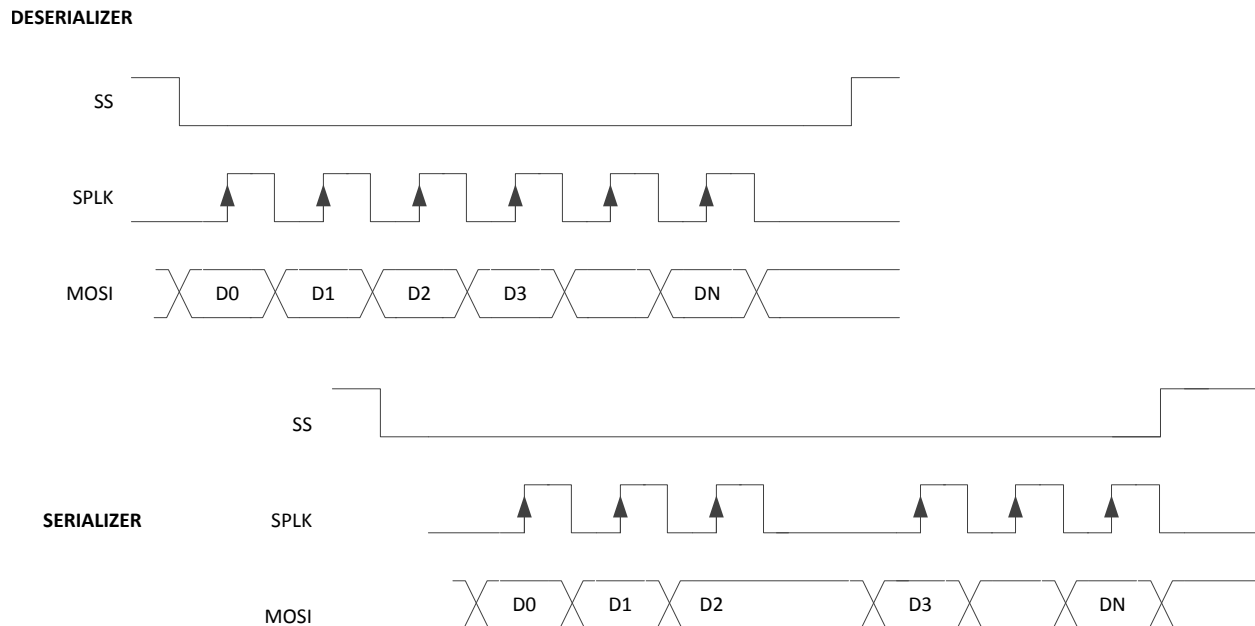


Figure 21. Reverse Channel SPI Write

For reverse channel SPI reads, the SPI master must wait for a round-trip response before generating the sampling edge of the SPI clock. This operation is similar to forward channel mode. Note that at most one data/clock sample is sent per back channel frame.

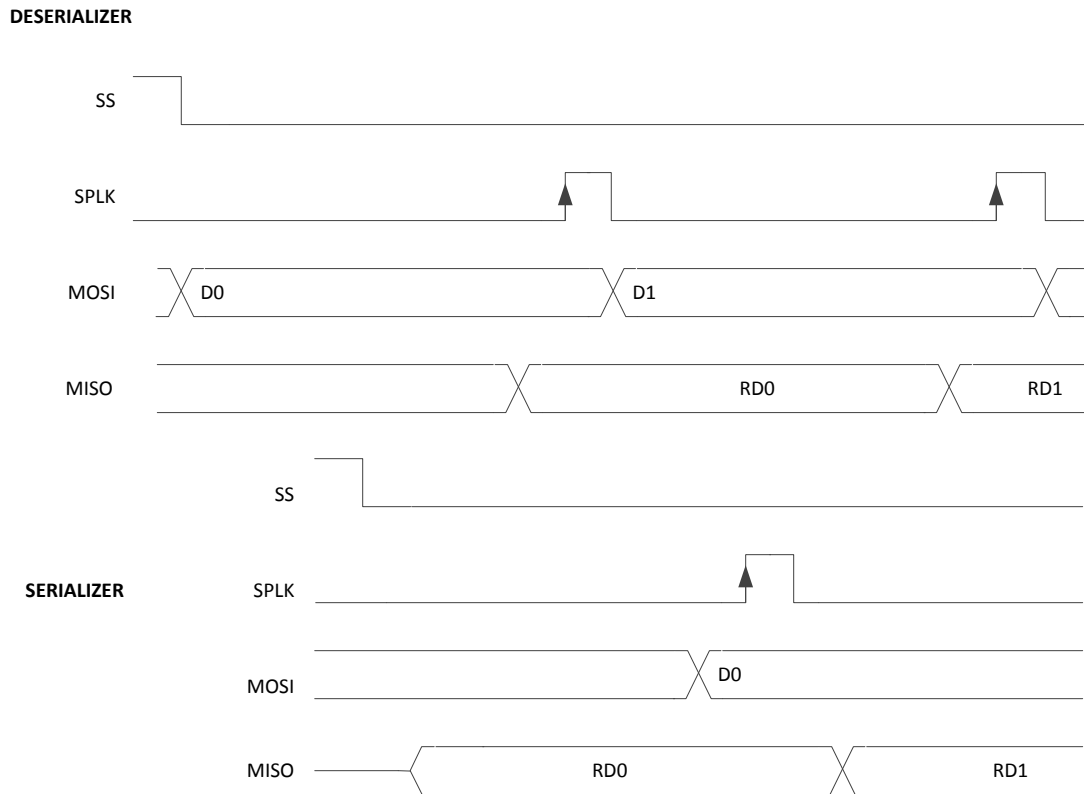


Figure 22. Reverse Channel SPI Read

For both reverse-channel SPI writes and reads, the SPI_SS signal must be deasserted for at least one back-channel frame period.

Table 5. SPI SS Deassertion Requirement

| BACK CHANNEL FREQUENCY | DEASSERTION REQUIREMENT |
|------------------------|-------------------------|
| 5 Mbps | 7.5 μ s |
| 10 Mbps | 3.75 μ s |
| 20 Mbps | 1.875 μ s |

7.3.10 Backward Compatibility

The DS90UB940N-Q1 is also backward-compatible with the DS90UB925Q-Q1, DS90UB925AQ-Q1, and DS90UB927Q-Q1 for PCLK frequencies ranging from 25 MHz to 85 MHz. Backward compatibility does not need to be enabled. When paired with a backward-compatible device, the deserializer auto-detects to 1-lane FPD-Link III on the primary channel (RIN0 \pm).

7.3.11 Adaptive Equalizer

The FPD-Link III receiver inputs incorporate an adaptive equalizer (AEQ) to compensate for signal degradation from the communications channel and interconnect components. Each RX port signal path continuously monitors cable characteristics for long-term cable aging and temperature changes. The AEQ is primarily intended to adapt and compensate for channel losses over the lifetime of a cable installed in an automobile. The AEQ attempts to optimize the equalization setting of the RX receiver. This adaption includes compensating insertion loss from temperature effects and aging degradation due to bending and flexion. To determine the maximum cable reach, factors that affect signal integrity such as jitter, skew, inter-symbol interference (ISI), crosstalk, and so forth, must also be considered. The equalization configuration programmed in registers 0x35 (AEQ_CTL1) and 0x45 (AEQ_CTL2). See Table 11.

7.3.11.1 Transmission Distance

The DS90UB940N-Q1 AEQ can compensate for the transmission channel insertion loss of up to -15.3 dB at 1.7 GHz. When designing the transmission channel, consider the total insertion loss of all components in the signal path between a serializer and a deserializer. Typically, the transmission channel would consist of a serializer PCB, two or more connectors, one or more cables, and a deserializer PCB as shown in [Figure 23](#).



Figure 23. Typical Transmission Channel Components With STQ Cables

7.3.11.2 Adaptive Equalizer Algorithm

The AEQ process steps through the allowed values of the equalizer controls to find a value that allows the Clock Data Recovery (CDR) circuit to maintain a valid lock condition. For each EQ setting, the circuit waits for a programmed relock time period, then checks the results for a valid lock. If a valid lock is detected, the circuit will stop at the current EQ setting and maintain a constant value for as long as the lock state persists. If the deserializer loses the lock, the adaptive equalizer will resume the LOCK algorithm and the EQ setting is incremented to the next valid state. When the lock is lost, the circuit will continue searching the EQ settings to find a valid setting to reacquire the serial data stream sent by the serializer that remains locked.

7.3.11.3 AEQ Settings

7.3.11.3.1 AEQ Start-Up and Initialization

The AEQ circuit can be restarted at any time by setting the AEQ_RESTART bit in the AEQ_CTL1 register 0x35. When the deserializer is powered on, the AEQ will continually search through EQ settings and could be at any setting when the signal is supplied from the serializer. If the Rx Port CDR locks to the signal, it may be good enough for low bit errors, but it could also not be optimized or over-equalized. For a consistent initial EQ setting, TI recommends that the user applies either AEQ_RESTART or DIGITAL_RESET0 when the serializer input signal frequency is stable to restart adaption from the minimum EQ gain value.

7.3.11.3.2 AEQ Range

The user can program the AEQ circuit with the minimum AEQ level setting used during the EQ adaption. Using the full AEQ range will provide the most flexible solution, however, if the channel conditions are known, and an improved deserializer lock time can be achieved by narrowing the search window for allowable EQ gain settings. For example, in a system use case with a longer cable and multiple interconnects creating a higher channel attenuation, the AEQ would not adapt to the minimum EQ gain settings. In this case, starting the adaptation from a higher AEQ level would improve lock time. The AEQ range is determined by the AEQ_CTL2 register 0x45 where the ADAPTIVE_EQ_FLOOR_VALUE determines the starting value for EQ gain adaption. The maximum AEQ limit is not adjustable. To enable the minimum AEQ limit, OVERRIDE_AEQ_FLOOR and SET_AEQ_FLOOR bits in the AEQ_CTL1 register must also be set. The setting for the AEQ after adaption can be read back from the AEQ_STATUS register 0x3B. See [Table 11](#).

7.3.11.3.3 AEQ Timing

The dwell time for AEQ to wait for either the lock or error-free status is also programmable. When checking each EQ setting, the AEQ will wait for a time interval, controlled by the ADAPTIVE_EQ_RELOCK_TIME field in the AEQ_CTL2 register (see [Table 11](#)) before incrementing to the next allowable EQ gain setting. The default wait time is set to 2.62 ms. Once the maximum setting is reached, if there is no lock acquired during the programmed relock time, the AEQ will restart the adaption at the minimum setting or AEQ_FLOOR value.

7.3.12 I2S Audio Interface

This deserializer features six I2S output pins that, when paired with a compatible serializer, support surround-sound audio applications. The bit clock (I2S_CLK) supports frequencies between 1 MHz and the smaller of the two: $< PCLK/2$ or < 13 MHz. Four I2S data outputs carry two channels of I2S-formatted digital audio each, with each channel delineated by the word select (I2C_WC) input.

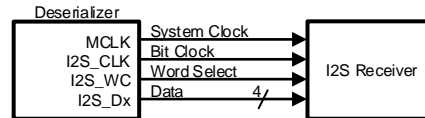


Figure 24. I2S Connection Diagram

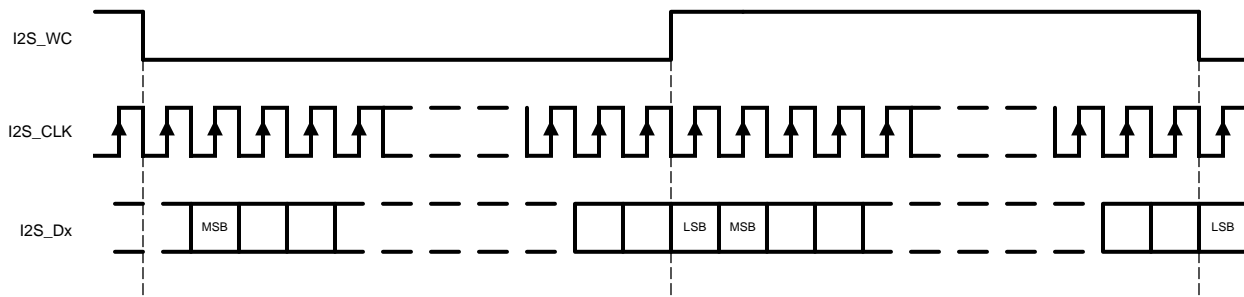


Figure 25. I2S Frame Timing Diagram

When paired with a DS90UB925Q, the deserializer I2S interface supports a single I2S data output through the I2S_DA (24-bit video mode) or two I2S data outputs through the I2S_DA and I2S_DB (18-bit video mode).

7.3.12.1 I2S Transport Modes

By default, packetized audio is received during video blanking periods in dedicated data island transport frames. The transport mode is set in the serializer and auto-loaded into the deserializer by default. The audio configuration may be disabled from the control registers if a forward channel frame transport of I2S data is desired. In frame transport, only the I2S_DA is received to the deserializer. Surround sound mode, which transmits all four I2S data inputs (I2S_D[D:A]), may only operate in data island transport mode. This mode is only available when connected to a DS90UB927Q, DS90UB949-Q1, DS90UB947-Q1, or DS90UB929-Q1 serializer. If connected to a DS90UB925Q serializer, only the I2S_DA and I2S_DB may be received.

7.3.12.2 I2S Jitter Cleaning

This device features a standalone PLL to clean the I2S data jitter, which allows the device to support high-end car audio systems. If the I2S_CLK frequency is less than 1 MHz, this feature must be disabled through register 0x2B[7]. See [Table 11](#).

7.3.12.3 MCLK

The deserializer has an I2S Master Clock Output (MCLK). It supports x1, x2, or x4 of I2S CLK Frequency. When the I2S PLL is disabled, the MCLK output is off. [Table 6](#) covers the range of I2S sample rates and MCLK frequencies. By default, all the MCLK output frequencies are x2 of the I2S CLK frequencies. The MCLK frequencies can also be enabled through the register bits 0x3A[6:4] (I2S DIVSEL), shown in [Table 11](#). To select desired MCLK frequency, write 0x3A[7], then write to bit [6:4] accordingly.

Table 6. Audio Interface Frequencies

| SAMPLE RATE (kHz) | I2S DATA WORD SIZE (BITS) | I2S CLK (MHz) | MCLK OUTPUT (MHz) | REGISTER 0x3A[6:4]b |
|-------------------|---------------------------|---------------|-------------------|---------------------|
| 32 | 16 | 1.024 | I2S_CLK x1 | 000 |
| | | | I2S_CLK x2 | 001 |
| | | | I2S_CLK x4 | 010 |
| 44.1 | | 1.4112 | I2S_CLK x1 | 000 |
| | | | I2S_CLK x2 | 001 |
| | | | I2S_CLK x4 | 010 |
| 48 | | 1.536 | I2S_CLK x1 | 000 |
| | | | I2S_CLK x2 | 001 |
| | | | I2S_CLK x4 | 010 |
| 96 | | 3.072 | I2S_CLK x1 | 001 |
| | | | I2S_CLK x2 | 010 |
| | | | I2S_CLK x4 | 011 |
| 192 | 6.144 | I2S_CLK x1 | 010 | |
| | | I2S_CLK x2 | 011 | |
| | | I2S_CLK x4 | 100 | |
| 32 | 24 | 1.536 | I2S_CLK x1 | 000 |
| | | | I2S_CLK x2 | 001 |
| | | | I2S_CLK x4 | 010 |
| 44.1 | | 2.117 | I2S_CLK x1 | 001 |
| | | | I2S_CLK x2 | 010 |
| | | | I2S_CLK x4 | 011 |
| 48 | | 2.304 | I2S_CLK x1 | 001 |
| | | | I2S_CLK x2 | 010 |
| | | | I2S_CLK x4 | 011 |
| 96 | | 4.608 | I2S_CLK x1 | 010 |
| | | | I2S_CLK x2 | 011 |
| | | | I2S_CLK x4 | 100 |
| 192 | 9.216 | I2S_CLK x1 | 011 | |
| | | I2S_CLK x2 | 100 | |
| | | I2S_CLK x4 | 101 | |
| 32 | 32 | 2.048 | I2S_CLK x1 | 001 |
| | | | I2S_CLK x2 | 010 |
| | | | I2S_CLK x4 | 011 |
| 44.1 | | 2.8224 | I2S_CLK x1 | 001 |
| | | | I2S_CLK x2 | 010 |
| | | | I2S_CLK x4 | 011 |
| 48 | | 3.072 | I2S_CLK x1 | 001 |
| | | | I2S_CLK x2 | 010 |
| | | | I2S_CLK x4 | 011 |
| 96 | | 6.144 | I2S_CLK x1 | 010 |
| | | | I2S_CLK x2 | 011 |
| | | | I2S_CLK x4 | 100 |
| 192 | 12.288 | I2S_CLK x1 | 011 | |
| | | I2S_CLK x2 | 100 | |
| | | I2S_CLK x4 | 110 | |

7.3.13 Built-In Self Test (BIST)

An optional at-speed, built-in self test (BIST) feature supports testing of the high-speed serial link and the low-speed back channel without external data connections. This is useful in the prototype stage, equipment production, in-system test, and system diagnostics.

7.3.13.1 BIST Configuration and Status

The BIST mode is enabled at the deserializer by the BISTEN pin or the BIST configuration register. The test may select either an external PCLK or the 33-MHz internal oscillator clock (OSC) frequency in the serializer. In the absence of PCLK, the user can select the internal OSC frequency at the deserializer through the BISTC pin or BIST configuration register.

When BIST is activated at the deserializer, a BIST enable signal is sent to the serializer through the back channel. The serializer outputs a test pattern and drives the link at speed. The deserializer detects the test pattern and monitors the pattern for errors. The deserializer PASS output pin toggles to flag each frame received that contains one or more errors. The serializer also tracks errors indicated by the CRC fields in each back channel frame.

The BIST status can be monitored in real time on the deserializer PASS pin, and each detected error results in a half pixel clock period toggled LOW. After BIST is deactivated, the result of the last test is held on the PASS output until a reset is triggered by a new BIST test or a power down. A high on PASS indicates that NO ERRORS were detected. A Low on PASS indicates that one or more errors were detected. The duration of the test is controlled by the pulse width applied to the deserializer BISTEN pin. LOCK status is valid throughout the entire duration of BIST.

See [Figure 26](#) for the BIST mode flow diagram.

7.3.13.1.1 Sample BIST Sequence

NOTE

Before BIST can be enabled, D_GPIO0 (pin 19) must be strapped HIGH and D_GPIO[3:1] (pins 16, 17, and 18) must be strapped LOW.

1. BIST Mode is enabled through the BISTEN pin of deserializer. The desired clock source is selected through the deserializer BISTC pin.
2. The serializer is awakened through the back channel if it is not already on. An all-zeros pattern is balanced, scrambled, randomized, and sent through the FPD-Link III interface to the deserializer. When the serializer and the deserializer are in BIST mode and the deserializer acquires LOCK, the PASS pin of the deserializer goes high and the BIST starts checking the data stream. If an error in the payload (1 to 35) is detected, the PASS pin switches low for one half of the clock period. During BIST mode, the PASS output can be monitored and counted to determine the payload error rate per 35 bits.
3. To stop BIST mode, set the BISTEN pin LOW. The deserializer stops checking the data, and the final test result is held on the PASS pin. If the test ran error-free, the PASS output remains HIGH. If one or more errors were detected, the PASS output outputs constant LOW. The PASS output state is held until a new BIST is run, the device is RESET, or the device is powered down. The BIST duration is user-controlled and may be of any length.

The link returns to normal operation after the deserializer BISTEN pin is low. [Figure 27](#) shows the waveform diagram of a typical BIST test for two cases. Case 1 is error-free, and Case 2 shows one with multiple errors. In most cases, it is difficult to generate errors due to the robustness of the link (differential data transmission, and so forth). Errors may be introduced by greatly extending the cable length, faulting the interconnect medium, or reducing signal condition enhancements (Rx equalization).

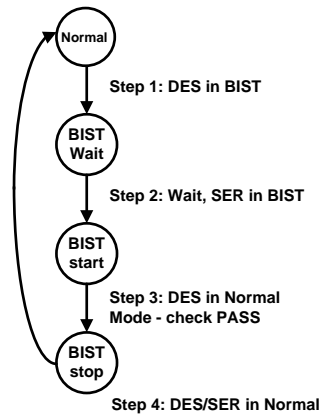


Figure 26. BIST Mode Flow Diagram

7.3.13.2 Forward Channel and Back Channel Error Checking

The deserializer, after locking to the serial stream, compares the recovered serial stream with all-zeroes and records any errors in the status registers. Errors are also dynamically reported on the PASS pin of the deserializer. Forward channel errors may also be read from register 0x25 (Table 11).

The back-channel data is checked for CRC errors once the serializer locks onto the back-channel serial stream, as indicated by the link detect status (register bit 0x0C[0] - Table 11). CRC errors are recorded in an 8-bit register in the serializer. The register is cleared when the serializer enters BIST mode. As soon as the serializer enters BIST mode, the functional mode CRC register starts recording any back channel CRC errors. The BIST mode CRC error register is active in BIST mode only, and keeps the record of the last BIST run until either the error is cleared or the serializer enters BIST mode again.

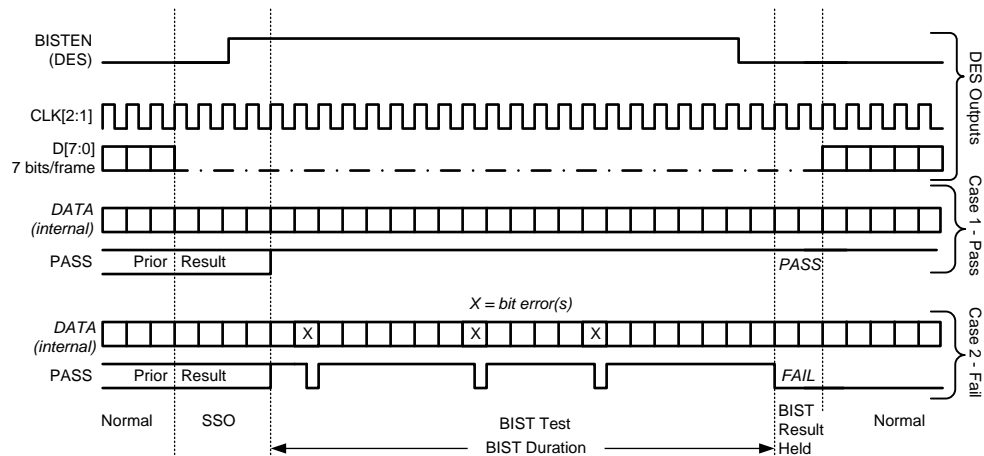


Figure 27. BIST Waveforms

7.3.14 Internal Pattern Generation

The deserializer supports the internal pattern generation feature. It allows basic testing and debugging of an integrated panel. The test patterns are simple and repetitive, and allow for a quick visual verification of panel operation. As long as the device is not in power-down mode, the test pattern is displayed even if no parallel input is applied. If no PCLK is received, the test pattern can be configured to use a programmed oscillator frequency. For more information, refer to the [Exploring the internal test pattern generation feature of 720p FPD-Link III devices](#) application report (SNLA132).

7.4 Device Functional Modes

7.4.1 Configuration Select

The DS90UB940N-Q1 can be configured for several different operating modes either through the MODE_SEL[1:0] input pins or through register bits 0x23 [4:3] (MODE_SEL1) and 0x6A [5:4] (MODE_SEL0). A pullup resistor and a pulldown resistor of suggested values may be used to set the voltage ratio of the MODE_SEL[1:0] input and VDD33 to select one of the possible selected modes.

The DS90UB940N-Q1 is capable of operating in either 1-lane or 2-lane modes for FPD-Link III. By default, the FPD-Link III receiver automatically configures the input based on 1- or 2-lane mode operation. Programming the register 0x34 [4:3] settings overrides the automatic detection. For each FPD-Link III pair, the serial data stream is composed of a 35-bit symbol.

The DS90UB940N-Q1 recovers the FPD-Link III serial data stream(s) and produces CSI-2 TX data driven to the MIPI DPHY interface. There are two CSI-2 ports (CSI0_Dn and CSI1_Dn), and each consist of one clock lane and four data lanes. The DS90UB940N-Q1 supports two CSI-2 TX ports, and each may be configured to support either two or four CSI-2 data lanes. Unused CSI-2 outputs are driven to LP11 states. The MIPI DPHY transmission operates in both differential (HS) and single-ended (LP) modes. During HS transmission, the pair of outputs operates in differential mode, and in LP mode, the pair operates as two independent single-ended traces. Both the data and clock lanes enter LP mode during the horizontal and vertical blanking periods.

The configurations outlined in [Figure 28](#) apply to DS90UB949-Q1, DS90UB947-Q1, DS90UB929-Q1, DS90UB925Q-Q1, DS90UB925AQ-Q1, and DS90UB927Q-Q1 FPD-Link III serializers.

The configurations outlined in [Figure 29](#) apply to DS90UB949-Q1 and DS90UB947-Q1 FPD-Link III serializers.

The device can be configured in following modes:

- 1-lane FPD-Link III input, 4 MIPI lanes output
- 1-lane FPD-Link III input, 2 MIPI lanes output
- 2-lane FPD-Link III input, 4 MIPI lanes output
- 2-lane FPD-Link III input, 4 MIPI lanes output
- 1- or 2-lane FPD-Link III input, 2 or 4 MIPI lanes output (replicate)

7.4.1.1 1-Lane FPD-Link III Input, 4 MIPI® Lanes Output

In this configuration, the PCLK rate embedded within the 1-lane FPD-Link III frame can range from 25 MHz to 96 MHz, resulting in a link rate of 875 Mbps (35 bit × 25 MHz) to 3.36 Gbps (35 bit × 96 MHz). Each MIPI data lane operates at a speed of 7 × PCLK frequency, which results in a data rate of 175 Mbps to 672 Mbps. The corresponding MIPI transmit clock rate operates between 87.5 MHz to 336 MHz.

7.4.1.2 1-Lane FPD-Link III Input, 2 MIPI® Lanes Output

In this configuration, the PCLK rate embedded within the 1-lane FPD-Link III frame can range from 25 MHz to 96 MHz, resulting in a link rate of 875 Mbps (35 bit × 25 MHz) to 3.36 Gbps (35 bit × 96 MHz). Each MIPI data lane operates at a speed of 14 × PCLK frequency, which results in a data rate of 350 Mbps to 1344 Mbps. The corresponding MIPI transmit clock rate operates between 175 MHz to 672 MHz.

7.4.1.3 2-Lane FPD-Link III Input, 4 MIPI® Lanes Output

In this configuration, the PCLK rate embedded is split into 2-lane FPD-Link III frame and can range from 50 MHz to 170 MHz, resulting in a link rate of 875 Mbps (35 bit × 25 MHz) to 2.975 Gbps (35 bit × 85 MHz). The embedded data streams from the received FPD-Link III inputs are merged in HS mode to form packets that carry the video stream. Each MIPI data lane will operate at a speed of 7 × PCLK frequency, which results in a data rate of 350 Mbps to 1190 Mbps. The corresponding MIPI transmit clock rate operates between 175 MHz to 595 MHz.

Device Functional Modes (continued)

7.4.1.4 2-Lane FPD-Link III Input, 2 MIPI® Lanes Output

In this configuration, the PCLK rate embedded is split into 2-lane FPD-Link III frame and can range from 25 MHz to 48 MHz, resulting in a link rate of 875 Mbps (35 bit × 25 MHz) to 1.680 Gbps (35 bit × 48 MHz). The embedded data streams from the received FPD-Link III inputs are merged in HS mode to form packets that carry the video stream. Each MIPI data lane will operate at a speed of 14 × PCLK frequency, which results in a data rate of 700 Mbps to 1344 Mbps. The corresponding MIPI transmit clock rate will operate between 350 MHz to 672 MHz.

7.4.1.5 1- or 2-Lane FPD-Link III Input, 2 or 4 MIPI® Lanes Output in Replicate

Same as 1- or 2-lane FPD-Link III input(s), this mode can duplicate the MIPI CSI-2 lanes on CSI1_D[3:0] and CSI1_CLK outputs.

7.4.2 MODE_SEL[1:0]

The engineer can configure the device through the MODE_SEL[1:0] input pins or through the configuration register bits. A pullup resistor and a pulldown resistor of suggested values may be used to set the voltage ratio of the MODE_SEL[1:0] inputs (V_{R4}) and VDD33 to select one of the other eight possible selected modes. See [Table 7](#) and [Table 8](#). Possible configurations are shown in [Figure 28](#) and [Figure 29](#).

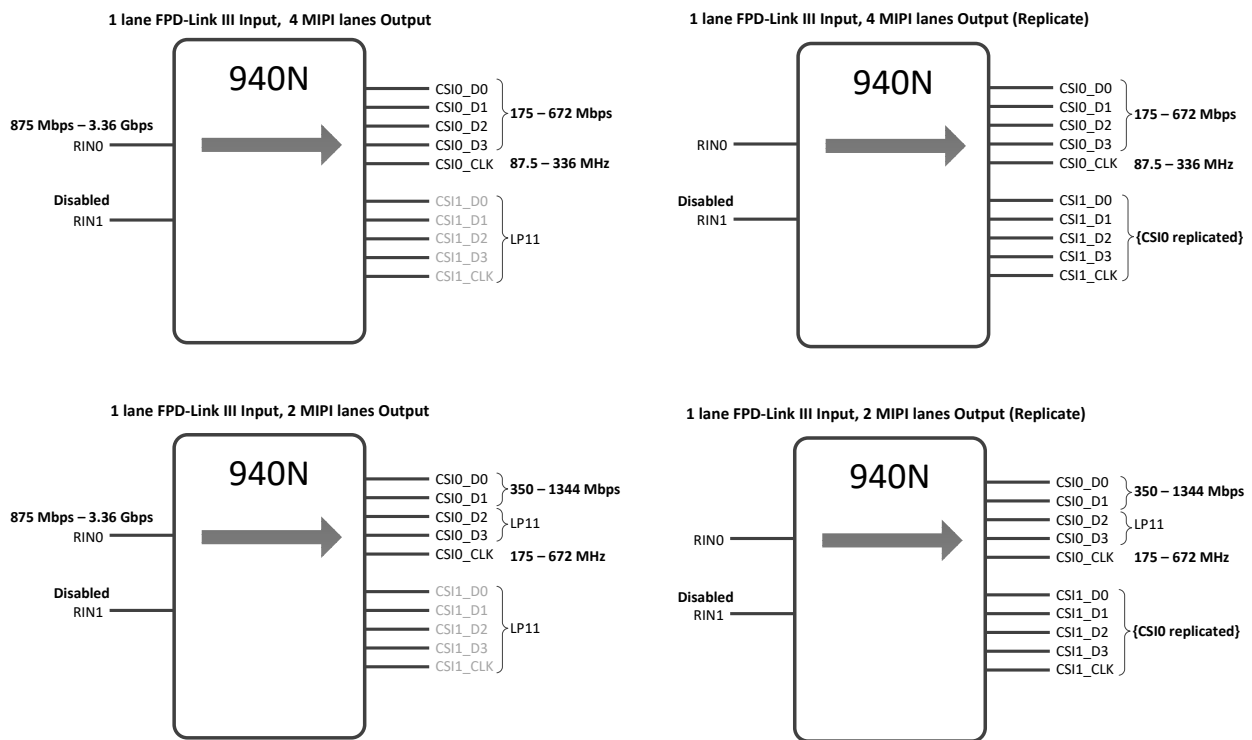


Figure 28. Data-Path Configurations With 1-Lane FPD-Link III Input

Device Functional Modes (continued)

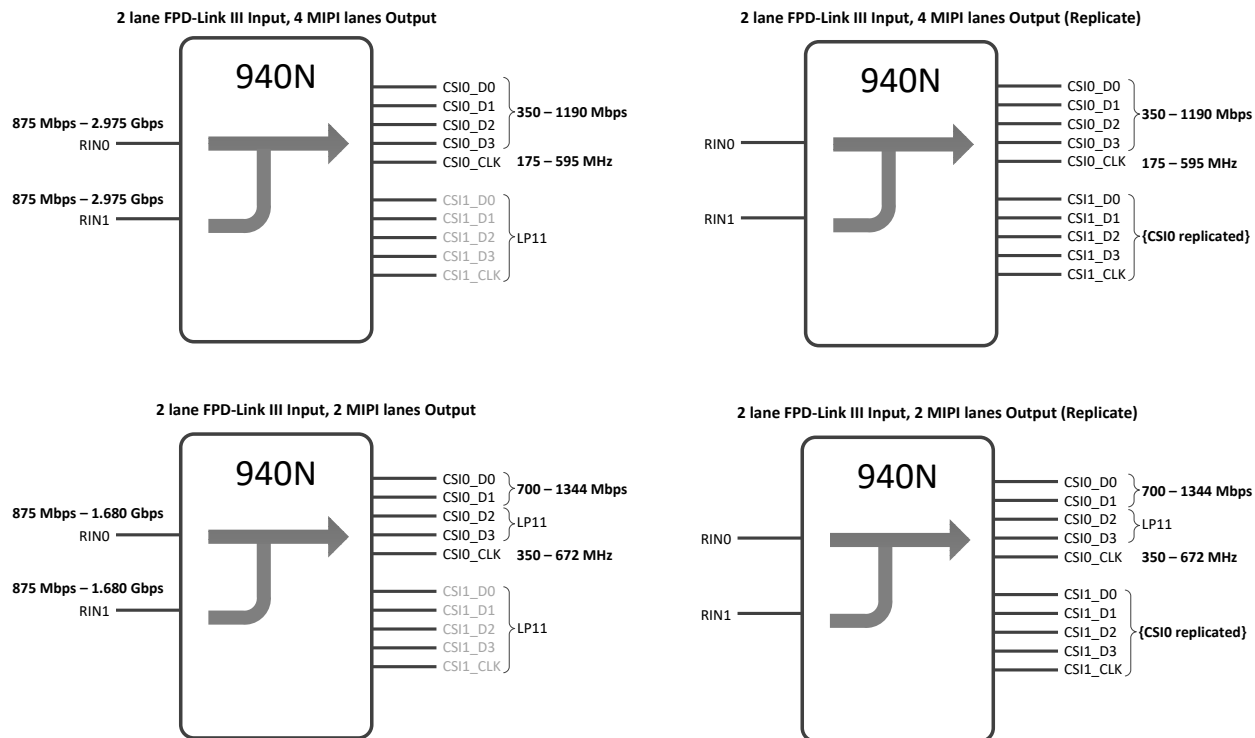


Figure 29. Data-Path Configurations With 2-Lane FPD-Link III Inputs

Device Functional Modes (continued)

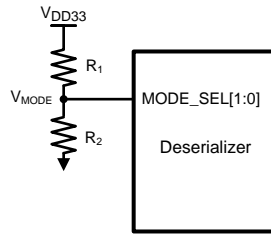


Figure 30. MODE_SEL[1:0] Connection Diagram

Table 7. Configuration Select (MODE_SEL0)

| NO. | V _{MODE} VOLTAGE | V _{MODE} TARGET VOLTAGE | SUGGESTED STRAP RESISTORS (1% TOLERANCE) | | OUTPUT MODE |
|-----|------------------------------|----------------------------------|--|---------------------|---|
| | V _{TYP} | VDD33 = 3.3 V | R ₁ (kΩ) | R ₂ (kΩ) | |
| 0 | 0 | 0 | Open | 10 | 4 data lanes. 1 CSI port active (determined by MODE_SEL1 CSI_SEL bit). |
| 1 | 0.169 × V _(VDD33) | 0.559 | 73.2 | 15 | 4 data lanes. Both CSI ports active (overrides MODE_SEL1). |
| 2 | 0.230 × V _(VDD33) | 0.757 | 66.5 | 20 | 2 data lanes. 1 CSI port active (determined by MODE_SEL1 CSI_SEL bit). |
| 3 | 0.295 × V _(VDD33) | 0.974 | 59 | 24.9 | 2 data lanes. Both CSI port active (overrides MODE_SEL1). |
| 4 | 0.376 × V _(VDD33) | 1.241 | 49.9 | 30.1 | RESERVED |
| 5 | 0.466 × V _(VDD33) | 1.538 | 46.4 | 40.2 | RESERVED |
| 6 | 0.556 × V _(VDD33) | 1.835 | 40.2 | 49.9 | RESERVED |
| 7 | 0.801 × V _(VDD33) | 2.642 | 18.7 | 75 | RESERVED |

Table 8. Configuration Select (MODE_SEL1)

| NO. | V _{MODE} VOLTAGE | V _{MODE} TARGET VOLTAGE | SUGGESTED STRAP RESISTORS (1% TOLERANCE) | | CSI_SEL (CSI PORT) | HIGH-SPEED BACK CHANNEL | INPUT MODE |
|-----|------------------------------|----------------------------------|--|---------------------|--------------------|-------------------------|------------|
| | V _{TYP} | VDD33 = 3.3 V | R ₁ (kΩ) | R ₂ (kΩ) | | | |
| 0 | 0 | 0 | Open | 10 | CSI0 | 5 Mbps | STP |
| 1 | 0.169 × V _(VDD33) | 0.559 | 73.2 | 15 | CSI0 | 5 Mbps | Coax |
| 2 | 0.230 × V _(VDD33) | 0.757 | 66.5 | 20 | CSI0 | 20 Mbps | STP |
| 3 | 0.295 × V _(VDD33) | 0.974 | 59 | 24.9 | CSI0 | 20 Mbps | Coax |
| 4 | 0.376 × V _(VDD33) | 1.241 | 49.9 | 30.1 | CSI1 | 5 Mbps | STP |
| 5 | 0.466 × V _(VDD33) | 1.538 | 46.4 | 40.2 | CSI1 | 5 Mbps | Coax |
| 6 | 0.556 × V _(VDD33) | 1.835 | 40.2 | 49.9 | CSI1 | 20 Mbps | STP |
| 7 | 0.801 × V _(VDD33) | 2.642 | 18.7 | 75 | CSI1 | 20 Mbps | Coax |

7.4.3 CSI-2 Interface

The DS90UB940N-Q1 (in default mode) takes RGB 24-bpp data bits defined in the serializer and directly maps the bits to the pixel color space in the data frame. The DS90UB940N-Q1 follows the general frame format as described per the CSI-2 standard (Figure 31). At the end of the vertical sync pulse (VS), the DS90UB940N-Q1 generates the frame end and frame start synchronization packets within the vertical blanking period. The timing of the frame start will not reflect the timing of the VS signal.

On the rising edge of the DE signal, each active line outputs as a long data packet with the defined data format (Figure 13). At the end of each packet, the data lanes $Dn\pm$ return to the LP-11 state and the clock lane $CLK\pm$ continues to output the high-speed clock.

The DS90UB940N-Q1 CSI-2 transmitter consists of a high-speed clock ($CLK\pm$) and data ($Dn\pm$) outputs based on a source synchronous interface. The half rate clock at $CLK\pm$ is derived from the pixel clock sourced by the clock/data recovery circuit of the DS90UB940N-Q1. The CSI-2 clock frequency is 3.5 times (four MIPI lanes) or seven times (two MIPI lanes) more than the recovered pixel clock frequency. The MIPI DPHY outputs either two or four high-speed data lanes ($Dn\pm$) according to the CSI-2 protocol. The data rate of each lane is seven times (four MIPI lanes) or 14 times (two MIPI lanes) higher than the pixel clock. For example, in a 4-MIPI-line configuration at a pixel clock of 150 MHz, the $CLK\pm$ runs at 525 MHz and each data lane runs at 1050 Mbps.

The half-rate clock maintains a quadrature phase relationship to the data signals and allows the receiver to sample data at the rising and falling edges of the clock (DDR). Figure 10 shows the timing relationship of the clock and data lines. The DS90UB940N-Q1 supports a continuous high-speed clock. High-speed data is sent out at data lanes $Dn\pm$ in bursts. In between data bursts, the data lanes return to low power (LP) states according to the protocol defined in the D-PHY standard. The rising edge of the differential clock (CSI_CLK+ – CSI_CLK-) is sent during the first payload bit of a transmission burst in the data lanes.

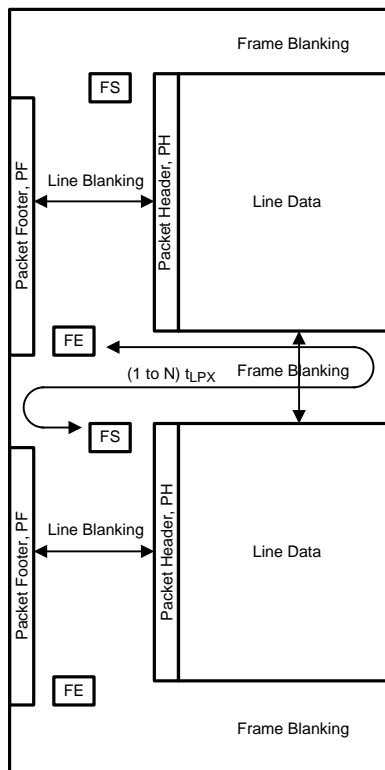


Figure 31. CSI-2 General Frame Format

7.4.4 Input Display Timing

The DS90UB940N-Q1 has built-in support that can detect the incoming video format extracted from the FPD-Link III data stream(s) and automatically generate the CSI-2 output timing parameters accordingly. The input video format detection is derived from progressive display resolutions based on the CEA-861D specification. The engineer can measure the internal VS and DE signals to determine the video data and frame rates. The device supports up to 4095 pixels per line.

For system implementations with custom video resolutions, system designers should either program the TI-validated D-PHY timing parameters provided in the [Configuring DS90UH940N-Q1 MIPI® D-PHY timing parameters](#) application report (SNLA303), or validate the auto-generated parameters.

7.4.5 MIPI® CSI-2 Output Data Formats

The DS90UB940N-Q1 CSI-2 Tx supports multiple data types. These can be seen in [Table 9](#).

Table 9. CSI-2 Output Data Formats⁽¹⁾

| DATA FORMAT | CSI-2 DATA TYPE [5:0] | Reg0x6B [3:2] IFMT | Reg0x6B [7:4] OFMT | DESCRIPTION |
|---------------------|-----------------------|--------------------|--------------------|--|
| RGB888 | 0x24 | 00 | 0000 | RGB888 image data – using 24-bit container for RGB 24-bpp |
| RGB666 | 0x23 | 00 | 0001 | RGB666 image data |
| RGB565 | 0x22 | 00 | 0010 | RGB565 image data |
| YUV420 | 0x1A | 00 | 0011 | YUV4:2:0 image data, Legacy YUV420 8-bit |
| YUV420 8-bit | 0x18 | 00 | 0100 | YUV4:2:0 image data |
| YUV422 8-bit | 0x1E | 00 | 0101 | YUV4:2:2 image data |
| RAW8 | 0x2A | 11 | 0110 | RAW Bayer, 8-bit image data D[0:7] of serializer inputs are used as RAW data; alignment is configured with CSIIA_{0x6C}_0x09 [4] |
| RAW10 | 0x2B | 11 | 0111 | RAW Bayer, 10-bit image data D[0:9] of serializer inputs are used as RAW data; alignment is configured with CSIIA_{0x6C}_0x09 [4] |
| RAW12 | 0x2C | 11 | 1000 | RAW Bayer, 12-bit image data D[0:11] of serializer inputs are used as RAW data; alignment is configured with CSIIA_{0x6C}_0x09 [4] |
| YUV420 8-bit (CSPS) | 0x1C | 00 | 1001 | YUV4:2:0 image data, YUV420 Chroma shifted pixel sampling |

(1) Note: Color space conversion is only available from RGB to YUV.

7.4.6 Non-Continuous / Continuous Clock

The DS90UB940N-Q1 D-PHY supports continuous clock mode and non-continuous clock mode on the CSI-2 interface. Default mode is non-continuous clock mode, where the clock lane enters LP mode between the transmissions of data packets. Non-continuous clock mode will only be non-continuous during the vertical blanking period for lower PCLK rates. For higher PCLK rates, the clock will be non-continuous between line and frame packets. Operating modes are configurable through 0x6A [1].

The clock lane enters LP11 during horizontal blanking if the horizontal blanking period is longer than the overhead time to start/stop the clock lane. There is auto-detection on the length of the horizontal blank period. The fixed threshold is 96 PCLK cycles.

7.4.7 Ultra-Low-Power State (ULPS)

The DS90UB940N-Q1 supports the MIPI-defined, ultra-low-power state (ULPS). The DS90UB940N-Q1 D-PHY lanes enter ULPS mode upon software standby mode through 0x6A [2] generated by the processor. When ULPS is issued, all active CSI-2 lanes including the clock and data lanes of the enabled CSI-2 port are put in ULPS according to the MIPI DPHY protocol. D-PHY can reduce power consumption by entering ULPS mode. ULPS is exited by means of a Mark-1 state with a length TWAKEUP followed by a Stop state.

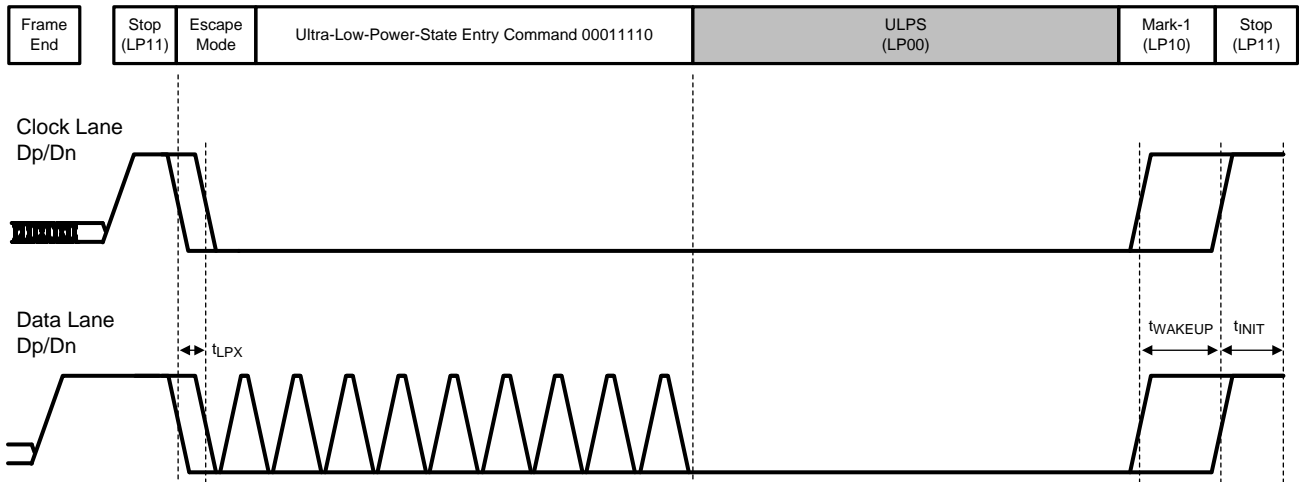


Figure 32. Ultra-Low-Power State

7.4.8 CSI-2 Data Identifier

The DS90UB940N-Q1 MIPI CSI-2 protocol interface transmits the data identifier byte containing the values for the virtual channel ID (VC) and data type (DT) for the application specific payload data, as shown in Figure 33. The virtual channel ID is contained in the two MSBs of the data identifier byte and identify the data as directed to one of four virtual channels. The value of the data type is contained in the 6 LSBs of the data identifier byte.

- CSIIA_{0x6C}_0x2E[7:6] CSI_VC_ID: Configures the virtual ID linked to the current context.
- CSICFG1_0x6B[7:4] OFMT: Configures the data format linked to the current context.

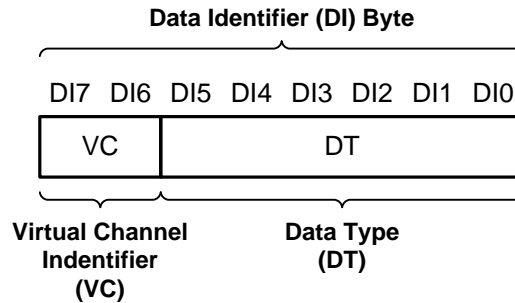


Figure 33. CSI-2 Data Identifier Structure

7.5 Programming

7.5.1 Serial Control Bus

The device may also be configured by the use of a I²C-compatible serial control bus. Multiple devices may share the serial control bus (up to eight device addresses supported). The device address is set through a resistor divider (R1 and R2 — see Figure 34) connected to the IDx pin.

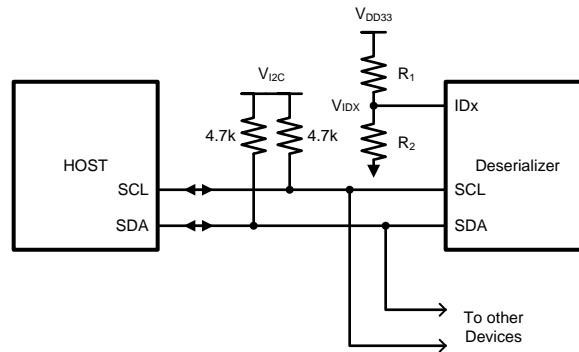


Figure 34. Serial Control Bus Connection

The serial control bus consists of two signals: SCL and SDA. SCL is a serial bus clock input. SDA is the serial bus data input / output signal. Both SCL and SDA signals require an external pullup resistor to the 1.8-V or 3.3-V rail. For most applications, TI recommends that the user adds a 4.7-k Ω pullup resistor to the 3.3-V rail, however, the pullup resistor value may be adjusted for capacitive loading and data rate requirements. See [I²C bus pullup resistor calculation](#) (SLVA689) for more information. The signals are either pulled high or driven low.

The IDx pin configures the control interface to one of eight possible device addresses. A pullup resistor and a pulldown resistor may be used to set the appropriate voltage ratio between the IDx input pin (V_{R2}) and VDD33, with each ratio corresponding to a specific device address. See [Table 10](#) for more information.

Table 10. Serial Control Bus Addresses for IDx

| NO. | V _{IDx} VOLTAGE | V _{IDx} TARGET VOLTAGE | SUGGESTED STRAP RESISTORS (1% TOLERANCE) | | PRIMARY ASSIGNED I2C ADDRESS | |
|-----|----------------------------|---------------------------------|--|------------------------------|------------------------------|-------|
| | V _{TYP} | VDD33 = 3.3 V | R ₁ (k Ω) | R ₂ (k Ω) | 7-BIT | 8-BIT |
| 0 | 0 | 0 | Open | 10 | 0x2C | 0x58 |
| 1 | $0.169 \times V_{(VDD33)}$ | 0.559 | 73.2 | 15 | 0x2E | 0x5C |
| 2 | $0.230 \times V_{(VDD33)}$ | 0.757 | 66.5 | 20 | 0x30 | 0x60 |
| 3 | $0.295 \times V_{(VDD33)}$ | 0.974 | 59 | 24.9 | 0x32 | 0x64 |
| 4 | $0.376 \times V_{(VDD33)}$ | 1.241 | 49.9 | 30.1 | 0x34 | 0x68 |
| 5 | $0.466 \times V_{(VDD33)}$ | 1.538 | 46.4 | 40.2 | 0x36 | 0x6C |
| 6 | $0.556 \times V_{(VDD33)}$ | 1.835 | 40.2 | 49.9 | 0x38 | 0x70 |
| 7 | $0.801 \times V_{(VDD33)}$ | 2.642 | 18.7 | 75 | 0x3C | 0x78 |

The serial bus protocol is controlled by START, START-Repeated, and STOP phases. A START occurs when SDA transitions low while SCL is high. A STOP occurs when SDA transitions high while SCL is also HIGH. See Figure 35.

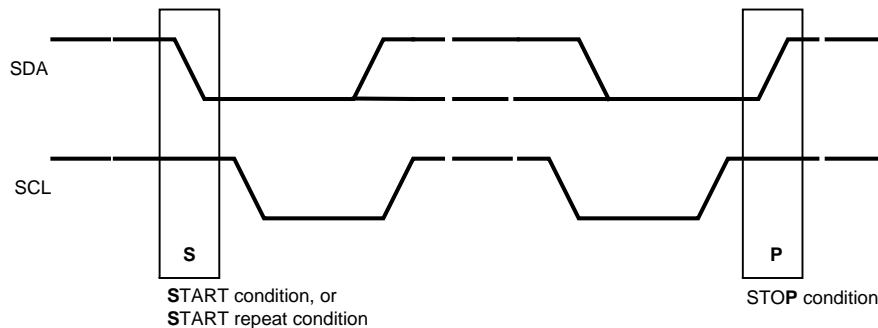


Figure 35. START and STOP Conditions

To communicate with a remote device, the host controller (master) sends the slave address and listens for a response from the slave. This response is referred to as an acknowledge bit (ACK). If a slave on the bus is addressed correctly, it acknowledges (ACKs) the master by driving the SDA bus low. If the address does not match the slave address of a device, the slave not-acknowledges (NACKs) the master by letting the SDA be pulled High. ACKs also occur on the bus when data is transmitted. When the master writes data, the slave sends an ACK after every data byte is successfully received. When the master reads data, the master sends an ACK after every data byte is received to let the slave know that the master is ready to receive another data byte. When the master wants to stop reading, the master sends a NACK after the last data byte to create a stop condition on the bus. All communication on the bus begins with either a start condition or a repeated Start condition. All communication on the bus ends with a stop condition. A READ is shown in Figure 36 and a WRITE is shown in Figure 37.

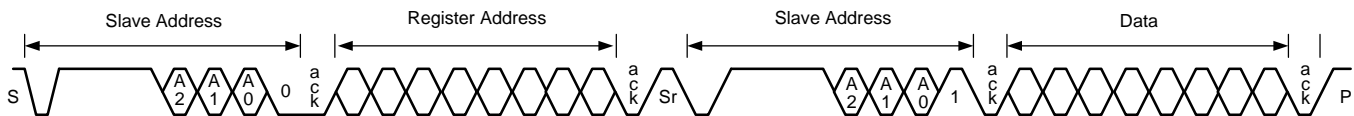


Figure 36. Serial Control Bus — READ



Figure 37. Serial Control Bus — WRITE

The I2C master located in the deserializer must support I2C clock stretching. For more information on I2C interface requirements and throughput considerations, refer to the [I2C communication over FPD-Link III with bidirectional control channel](#) (SNLA131).

7.5.2 Multi-Master Arbitration Support

The bidirectional control channel in the FPD-Link III devices implements I2C-compatible bus arbitration in the proxy I2C master implementation. When sending a data bit, each I2C master senses the value on the SDA line. If the master sends a logic 1 but senses a logic 0, the master loses arbitration. The master will stop driving SDA and retry the transaction when the bus becomes idle. Thus, multiple I2C masters may be implemented in the system.

For example, there might also be a local I²C master at each camera. The local I²C master could access the image sensor and EEPROM. The only restriction would be that the remote I²C master at the camera should not attempt to access a remote slave through the BCC that is located at the host controller side of the link. In other words, the control channel should only operate in camera mode for accessing remote slave devices to avoid issues with arbitration across the link. The remote I²C master should also not attempt to access the deserializer registers to avoid a conflict in register access with the Host controller.

If the system does require master-slave operation in both directions across the BCC, some method of communication must be used to ensure only one direction of operation occurs at any time. The communication method could include using available R/W registers in the deserializer to allow masters to communicate with each other to pass control between the two masters. An example would be to use register 0x18 or 0x19 in the deserializer as a mailbox register to pass control of the channel from one master to another.

7.5.3 I²C Restrictions on Multi-Master Operation

The I²C specification does not provide for arbitration between masters under certain conditions. The system should make sure the following conditions cannot occur to prevent undefined conditions on the I²C bus:

- One master generates a repeated start while another master is sending a data bit.
- One master generates a stop while another master is sending a data bit.
- One master generates a repeated start while another master sends a stop.

Note that these restrictions mainly apply to accessing the same register offsets within a specific I²C slave.

7.5.4 Multi-Master Access to Device Registers for Newer FPD-Link III Devices

When using the latest generation of FPD-Link III devices (like the DS90UB94x-Q1), serializers or deserializer registers may be accessed simultaneously from both local and remote I²C masters. These devices have internal logic to properly arbitrate between sources to allow proper read and write access without risk of corruption.

Access to remote I²C slaves is still be allowed in only one direction at a time (camera or display mode).

7.5.5 Multi-Master Access to Device Registers for Older FPD-Link III Devices

When using older FPD-Link III devices (in backward compatible mode), simultaneous access to serializer or deserializer registers from both local and remote I²C masters may cause incorrect operation. Thus, restrictions must be imposed on accessing of serializer and deserializer registers. The likelihood of an error occurrence is relatively small, but it is possible for collision on reads and writes to occur, resulting in a read or write error.

TI recommends two basic options:

- Allow device register access only from one controller.
In a display mode system, this would allow only the host controller to access the serializer registers (local) and the deserializer registers (remote). A controller at the deserializer (local to the display) would not be allowed to access the deserializer or serializer registers.
- Allow local register access only with no access to remote serializer or deserializer registers.
The host controller would be allowed to access the serializer registers while a controller at the deserializer could access those register only. Access to remote I²C slaves would still be allowed in one direction (camera or display mode).

In a very limited case, remote and local access could be allowed to the deserializer registers at the same time. Register access is ensured to work correctly if both local and remote masters are accessing the same deserializer register. This allows a simple method of passing control of the bidirectional control channel from one master to another.

7.5.6 Restrictions on Control Channel Direction for Multi-Master Operation

Only display or camera mode operation should be active at any time across the bidirectional control channel. If both directions are required, some method of transferring control between I²C masters should be implemented.

7.6 Register Maps

7.6.1 DS90UB940N-Q1 Registers

Table 11 lists the memory-mapped registers for the DS90UB940N-Q1 registers. All register offset addresses not listed in Table 11 should be considered as reserved locations and the register contents should not be modified.

In the register definitions under the *TYPE* heading, the following definitions apply:

- R = Read only access
- R/W = Read / Write access
- R/RC = Read only access, Read to Clear
- R/W/SC = Read / Write access, Self-Clearing bit
- R/W/S = Read / Write access, Set based on strap pin configuration at start-up
- S = Set based on strap pin configuration at start-up

Table 11. DS90UB940N-Q1 Registers

| Address | Register Name | Section |
|---------|---------------------------|--------------------|
| 0h | I2C_Device_ID | Go |
| 1h | Reset | Go |
| 2h | General_Configuration_0 | Go |
| 3h | General_Configuration_1 | Go |
| 4h | BCC_Watchdog_Control | Go |
| 5h | I2C_Control_1 | Go |
| 6h | I2C_Control_2 | Go |
| 7h | REMOTE_ID | Go |
| 8h | SlaveID_0 | Go |
| 9h | SlaveID_1 | Go |
| Ah | SlaveID_2 | Go |
| Bh | SlaveID_3 | Go |
| Ch | SlaveID_4 | Go |
| Dh | SlaveID_5 | Go |
| Eh | SlaveID_6 | Go |
| Fh | SlaveID_7 | Go |
| 10h | SlaveAlias_0 | Go |
| 11h | SlaveAlias_1 | Go |
| 12h | SlaveAlias_2 | Go |
| 13h | SlaveAlias_3 | Go |
| 14h | SlaveAlias_4 | Go |
| 15h | SlaveAlias_5 | Go |
| 16h | SlaveAlias_6 | Go |
| 17h | SlaveAlias_7 | Go |
| 18h | MAILBOX_18 | Go |
| 19h | MAILBOX_19 | Go |
| 1Ah | GPIO_9_Global_GPIO_Config | Go |
| 1Bh | Frequency_Counter | Go |
| 1Ch | General_Status | Go |
| 1Dh | GPIO0_Config | Go |
| 1Eh | GPIO1_2_Config | Go |
| 1Fh | GPIO_3_Config | Go |
| 20h | GPIO_5_6_Config | Go |
| 21h | GPIO_7_8_Config | Go |
| 22h | Datapath_Control | Go |

Table 11. DS90UB940N-Q1 Registers (continued)

| Address | Register Name | Section |
|---------|---------------------|--------------------|
| 23h | RX_Mode_Status | Go |
| 24h | BIST_Control | Go |
| 25h | BIST_ERROR_COUNT | Go |
| 26h | SCL_High_Time | Go |
| 27h | SCL_Low_Time | Go |
| 28h | Datapath_Control_2 | Go |
| 2Bh | I2S_Control | Go |
| 2Eh | PCLK_Test_Mode | Go |
| 34h | DUAL_RX_CTL | Go |
| 35h | AEQ_CTL1 | Go |
| 37h | MODE_SEL | Go |
| 3Ah | I2S_DIVSEL | Go |
| 3Bh | Adaptive_EQ_Status | Go |
| 41h | LINK_ERROR_COUNT | Go |
| 43h | HSCC_CONTROL | Go |
| 44h | ADAPTIVE_EQ_BYPASS | Go |
| 45h | ADAPTIVE_EQ_MIN_MAX | Go |
| 52h | CML_OUTPUT_CTL1 | Go |
| 56h | CML_OUTPUT_ENABLE | Go |
| 57h | CML_OUTPUT_CTL2 | Go |
| 63h | CML_OUTPUT_CTL3 | Go |
| 64h | PGCTL | Go |
| 65h | PGCFG | Go |
| 66h | PGIA | Go |
| 67h | PGID | Go |
| 68h | PGDBG | Go |
| 69h | PGTSTDAT | Go |
| 6Ah | CSICFG0 | Go |
| 6Bh | CSICFG1 | Go |
| 6Ch | CSIIA | Go |
| 6Dh | CSIID | Go |
| 6Eh | GPIO_Pin_Status_1 | Go |
| 6Fh | GPIO_Pin_Status_2 | Go |
| F0h | ID0 | Go |
| F1h | ID1 | Go |
| F2h | ID2 | Go |
| F3h | ID3 | Go |
| F4h | ID4 | Go |
| F5h | ID5 | Go |

7.6.1.1 I2C_Device_ID Register (Address = 0h) [reset = Strap]

I2C_Device_ID is described in [Table 12](#).

Return to [Summary Table](#).

Table 12. I2C_Device_ID Register Field Descriptions

| Bit | Field | Type | Reset | Description |
|-----|-----------|-------|-------|---|
| 7-1 | DEVICE_ID | R/W/S | Strap | 7-bit address of Deserializer. Defaults to address configured by the IDX strap pin. See Table 10 . |
| 0 | DES_ID | R/W | 0h | 0: Device ID is from IDX strap 1: Register I2C Device ID overrides IDX strap |

7.6.1.2 Reset Register (Address = 1h) [reset = 4h]

Reset is described in [Table 13](#).

Return to [Summary Table](#).

Table 13. Reset Register Field Descriptions

| Bit | Field | Type | Reset | Description |
|-------|-----------------|--------|-------|---|
| 7 - 3 | RESERVED | R/W | 0h | Reserved |
| 2 | RESERVED | R/W | 1h | Reserved |
| 1 | DIGITAL_RESET0 | R/W/SC | 0h | Digital Reset. Resets the entire digital block including registers. This bit is self-clearing. 1: Reset 0: Normal operation. Registers which are loaded by pin strap will be restored to their original strap value when this bit is set. These registers show 'Strap' as their default value in this table. |
| 0 | DIGITAL__RESET1 | R/W/SC | 0h | Digital Reset. Resets the entire digital block except registers. This bit is self-clearing. 1: Reset 0: Normal operation Important Note: - After issuing a DIGITAL_RESET1, add a 0.5-ms delay to ensure the DIGITAL_RESET1 is fully complete. |

7.6.1.3 General_Configuration_0 Register (Address = 2h) [reset = 80h]

General_Configuration_0 is described in [Table 14](#).

Return to [Summary Table](#).

Table 14. General_Configuration_0 Register Field Descriptions

| Bit | Field | Type | Reset | Description |
|-----|--|------|-------|--|
| 7 | OUTPUT_ENABLE | R/W | 1h | Output Enable Override Value (in conjunction with Output Sleep State Select). If the Override control is not set, the Output Enable will be set to 1. A Digital reset 0x01[0] should be asserted after toggling Output Enable bit <i>LOW</i> to <i>HIGH</i> . |
| 6 | OUTPUT_ENABLE_OVE RRIDE | R/W | 0h | Overrides Output Enable and Output Sleep State default. 0: Disable override 1: Enable override |
| 5 | OSC_CLOCK_OUTPUT_ ENABLE (AUTO_CLOCK_EN) | R/W | 0h | OSC Clock Output Enable. If there is a loss of lock, OSC clock is output onto PCLK. The frequency is selected in register 0x24. 1: Enable 0: Disable |

Table 14. General_Configuration_0 Register Field Descriptions (continued)

| Bit | Field | Type | Reset | Description |
|-------|---------------------------|------|-------|---|
| 4 | OUTPUT_SLEEP_STATE_SELECT | R/W | 0h | OSS Select Override value to control output state when LOCK is low (used in conjunction with Output Enable). If the Override control is not set, the Output Sleep State Select will be set to 1. |
| 3 - 0 | RESERVED | R/W | 0h | Reserved |

7.6.1.4 General_Configuration_1 Register (Address = 3h) [reset = F0h]

 General_Configuration_1 is described in [Table 15](#).

 Return to [Summary Table](#).

Table 15. General_Configuration_1 Register Field Descriptions

| Bit | Field | Type | Reset | Description |
|-----|-------------------------|------|-------|---|
| 7 | RESERVED | R/W | 1h | Reserved |
| 6 | BC_CRC_GENERATOR_ENABLE | R/W | 1h | Back Channel CRC Generator Enable. 0: Disable 1: Enable |
| 5 | FAILSAFE_LOW | R/W | 1h | Controls the pull direction for undriven LVCMOS inputs. 1: Pull down 0: Pull up |
| 4 | FILTER_ENABLE | R/W | 1h | HS,VS,DE two clock filter (FPD-Link III 1-Lane Mode) or four clock filter (FPD-Link III 2-Lane Mode). When enabled, pulses less than two full PCLK cycles in 1-Lane mode (or less than four full PCLK cycles in 2-Lane mode) on the DE, HS, and VS inputs will be rejected. 1: Filtering enable 0: Filtering disable |
| 3 | I2C_PASS-THROUGH | R/W | 0h | I2C Pass-Through to Serializer if decode matches. 0: Pass-Through Disabled 1: Pass-Through Enabled |
| 2 | AUTO_ACK | R/W | 0h | Automatically Acknowledge I2C writes independent of the forward channel lock state. 1: Enable 0: Disable |
| 1 | DE_GATE_RGB | R/W | 0h | Gate RGB data with DE signal. RGB data is gated with DE to allow packetized audio and block unencrypted data when paired with a serializer that supports HDCP. When paired with a serializer that does not support HDCP, RGB data is not gated with DE by default. However, to enable packetized audio, this bit must be set. 1: Gate RGB data with DE (has no effect when paired with a serializer that supports HDCP) 0: Pass RGB data independent of DE (has no effect when paired with a serializer that does not support HDCP) |
| 0 | RESERVED | R/W | 0h | Reserved |

7.6.1.5 BCC_Watchdog_Control Register (Address = 4h) [reset = FEh]

 BCC_Watchdog_Control is described in [Table 16](#).

 Return to [Summary Table](#).

Table 16. BCC_Watchdog_Control Register Field Descriptions

| Bit | Field | Type | Reset | Description |
|-----|--------------------|------|-------|--|
| 7-1 | BCC_WATCHDOG_TIMER | R/W | 7Fh | The watchdog timer allows termination of a control channel transaction if it fails to complete within a programmed amount of time. This field sets the Bidirectional Control Channel Watchdog Timeout value in units of 2 milliseconds. This field should not be set to 0. |

Table 16. BCC_Watchdog_Control Register Field Descriptions (continued)

| Bit | Field | Type | Reset | Description |
|-----|----------------------------|------|-------|--|
| 0 | BCC_WATCHDOG_TIMER_DISABLE | R/W | 0h | Disable Bidirectional Control Channel Watchdog Timer. 1: Disables BCC Watchdog Timer operation 0: Enables BCC Watchdog Timer operation |

7.6.1.6 I2C_Control_1 Register (Address = 5h) [reset = 1Eh]

I2C_Control_1 is described in [Table 17](#).

Return to [Summary Table](#).

Table 17. I2C_Control_1 Register Field Descriptions

| Bit | Field | Type | Reset | Description |
|-----|----------------------|------|-------|---|
| 7 | I2C_PASS_THROUGH_ALL | R/W | 0h | I2C Pass-Through All Transactions. 0: Disabled 1: Enabled |
| 6-4 | I2C_SDA_HOLD | | 1h | Internal SDA Hold Time. This field configures the amount of internal hold time provided for the SDA input relative to the SCL input. Units are 50 nanoseconds. |
| 3-0 | I2C_FILTER_DEPTH | | Eh | I2C Glitch Filter Depth. This field configures the maximum width of glitch pulses on the SCL and SDA inputs that will be rejected. Units are 5 nanoseconds. |

7.6.1.7 I2C_Control_2 Register (Address = 6h) [reset = 0h]

I2C_Control_2 is described in [Table 18](#).

Return to [Summary Table](#).

Table 18. I2C_Control_2 Register Field Descriptions

| Bit | Field | Type | Reset | Description |
|-----|--------------------------------|------|-------|--|
| 7 | FORWARD_CHANNEL_SEQUENCE_ERROR | R | 0h | Control Channel Sequence Error Detected. This bit indicates a sequence error has been detected in forward control channel. If this bit is set, an error may have occurred in the control channel operation. |
| 6 | CLEAR_SEQUENCE_ERROR | R/W | 0h | Clears the Sequence Error Detect bit. |
| 5 | RESERVED | R | 0h | Reserved |
| 4-3 | SDA_Output_Delay | R/W | 0h | SDA Output Delay. This field configures output delay on the SDA output. Setting this value will increase output delay in units of 50 ns. Nominal output delay values for SCL to SDA are: 00: 250 ns 01: 300 ns 10: 350 ns 11: 400 ns |
| 2 | LOCAL_WRITE_DISABLE | R/W | 0h | Disable Remote Writes to Local Registers. Setting this bit to a 1 will prevent remote writes to local device registers from across the control channel. This prevents writes to the Deserializer registers from an I ² C master attached to the Serializer. Setting this bit does not affect remote access to I ² C slaves at the Deserializer. |
| 1 | I2C_BUS_TIMER_SPEEDUP | R/W | 0h | Speed-up I ² C Bus Watchdog Timer. 1: Watchdog Timer expires after approximately 50 microseconds 0: Watchdog Timer expires after approximately 1 second. |

Table 18. I2C_Control_2 Register Field Descriptions (continued)

| Bit | Field | Type | Reset | Description |
|-----|-----------------------|------|-------|---|
| 0 | I2C_BUS_TIMER_DISABLE | R/W | 0h | Disable I ² C Bus Watchdog Timer. When the I2C Watchdog Timer may be used to detect when the I ² C bus is free or hung up following an invalid termination of a transaction. If SDA is high and no signalling occurs for approximately 1 second, the I ² C bus will assumed to be free. If SDA is low and no signaling occurs, the device will attempt to clear the bus by driving 9 clocks on SCL. |

7.6.1.8 REMOTE_ID Register (Address = 7h) [reset = 0h]

REMOTE_ID is described in [Table 19](#).

Return to [Summary Table](#).

Table 19. REMOTE_ID Register Field Descriptions

| Bit | Field | Type | Reset | Description |
|-----|------------------|------|-------|--|
| 7-1 | REMOTE_ID | R/W | 0h | 7-bit Serializer Device ID. Configures the I2C Slave ID of the remote Serializer. A value of 0 in this field disables I2C access to the remote Serializer. This field is automatically loaded from the Serializer once RX Lock has been detected. Software may overwrite this value, but should also assert the FREEZE DEVICE ID bit to prevent loading by the Bidirectional Control Channel. |
| 0 | FREEZE_DEVICE_ID | R/W | 0h | Freeze Serializer Device ID. Prevent auto-loading of the Serializer Device ID from the Forward Channel. The ID will be frozen at the value written. |

7.6.1.9 SlaveID_0 Register (Address = 8h) [reset = 0h]

SlaveID_0 is described in [Table 20](#).

Return to [Summary Table](#).

Table 20. SlaveID_0 Register Field Descriptions

| Bit | Field | Type | Reset | Description |
|-----|-----------|------|-------|---|
| 7-1 | SLAVE_ID0 | R/W | 0h | 7-bit Remote Slave Device ID 0. Configures the physical I ² C address of the remote I ² C Slave device attached to the remote Serializer. If an I2C transaction is addressed to the Slave Alias ID0, the transaction will be remapped to this address before passing the transaction across the Bidirectional Control Channel to the Serializer. |
| 0 | RESERVED | R/W | 0h | Reserved |

7.6.1.10 SlaveID_1 Register (Address = 9h) [reset = 0h]

SlaveID_1 is described in [Table 21](#).

Return to [Summary Table](#).

Table 21. SlaveID_1 Register Field Descriptions

| Bit | Field | Type | Reset | Description |
|-----|-----------|------|-------|---|
| 7-1 | SLAVE_ID1 | R/W | 0h | 7-bit Remote Slave Device ID 1. Configures the physical I ² C address of the remote I ² C Slave device attached to the remote Serializer. If an I2C transaction is addressed to the Slave Alias ID1, the transaction will be remapped to this address before passing the transaction across the Bidirectional Control Channel to the Serializer. |
| 0 | RESERVED | R/W | 0h | Reserved |

7.6.1.11 SlaveID_2 Register (Address = Ah) [reset = 0h]

SlaveID_2 is described in [Table 22](#).

Return to [Summary Table](#).

Table 22. SlaveID_2 Register Field Descriptions

| Bit | Field | Type | Reset | Description |
|-----|-----------|------|-------|--|
| 7-1 | SLAVE_ID2 | R/W | 0h | 7-bit Remote Slave Device ID 2. Configures the physical I ² C address of the remote I ² C Slave device attached to the remote Serializer. If an I2C transaction is addressed to the Slave Alias ID2, the transaction will be remapped to this address before passing the transaction across the Bidirectional Control Channel to the Serializer. |
| 0 | RESERVED | R/W | 0h | Reserved |

7.6.1.12 SlaveID_3 Register (Address = Bh) [reset = 0h]

SlaveID_3 is described in [Table 23](#).

Return to [Summary Table](#).

Table 23. SlaveID_3 Register Field Descriptions

| Bit | Field | Type | Reset | Description |
|-----|-----------|------|-------|--|
| 7-1 | SLAVE_ID3 | R/W | 0h | 7-bit Remote Slave Device ID 3. Configures the physical I ² C address of the remote I ² C Slave device attached to the remote Serializer. If an I2C transaction is addressed to the Slave Alias ID3, the transaction will be remapped to this address before passing the transaction across the Bidirectional Control Channel to the Serializer. |
| 0 | RESERVED | R/W | 0h | Reserved. |

7.6.1.13 SlaveID_4 Register (Address = Ch) [reset = 0h]

SlaveID_4 is described in [Table 24](#).

Return to [Summary Table](#).

Table 24. SlaveID_4 Register Field Descriptions

| Bit | Field | Type | Reset | Description |
|-----|-----------|------|-------|--|
| 7-1 | SLAVE_ID4 | R/W | 0h | 7-bit Remote Slave Device ID 4. Configures the physical I ² C address of the remote I ² C Slave device attached to the remote Serializer. If an I2C transaction is addressed to the Slave Alias ID4, the transaction will be remapped to this address before passing the transaction across the Bidirectional Control Channel to the Serializer. |
| 0 | RESERVED | R/W | 0h | Reserved |

7.6.1.14 SlaveID_5 Register (Address = Dh) [reset = 0h]

SlaveID_5 is described in [Table 25](#).

Return to [Summary Table](#).

Table 25. SlaveID_5 Register Field Descriptions

| Bit | Field | Type | Reset | Description |
|-----|-----------|------|-------|--|
| 7-1 | SLAVE_ID5 | R/W | 0h | 7-bit Remote Slave Device ID 5. Configures the physical I ² C address of the remote I ² C Slave device attached to the remote Serializer. If an I2C transaction is addressed to the Slave Alias ID5, the transaction will be remapped to this address before passing the transaction across the Bidirectional Control Channel to the Serializer. |

Table 25. SlaveID_5 Register Field Descriptions (continued)

| Bit | Field | Type | Reset | Description |
|-----|----------|------|-------|-------------|
| 0 | RESERVED | R/W | 0h | Reserved |

7.6.1.15 SlaveID_6 Register (Address = Eh) [reset = 0h]

 SlaveID_6 is described in [Table 26](#).

 Return to [Summary Table](#).

Table 26. SlaveID_6 Register Field Descriptions

| Bit | Field | Type | Reset | Description |
|-----|-----------|------|-------|--|
| 7-1 | SLAVE_ID6 | R/W | 0h | 7-bit Remote Slave Device ID 6. Configures the physical I ² C address of the remote I ² C Slave device attached to the remote Serializer. If an I2C transaction is addressed to the Slave Alias ID6, the transaction will be remapped to this address before passing the transaction across the Bidirectional Control Channel to the Serializer. |
| 0 | RESERVED | R/W | 0h | Reserved |

7.6.1.16 SlaveID_7 Register (Address = Fh) [reset = 0h]

 SlaveID_7 is described in [Table 27](#).

 Return to [Summary Table](#).

Table 27. SlaveID_7 Register Field Descriptions

| Bit | Field | Type | Reset | Description |
|-----|-----------|------|-------|--|
| 7-1 | SLAVE_ID7 | R/W | 0h | 7-bit Remote Slave Device ID 7. Configures the physical I ² C address of the remote I ² C Slave device attached to the remote Serializer. If an I2C transaction is addressed to the Slave Alias ID7, the transaction will be remapped to this address before passing the transaction across the Bidirectional Control Channel to the Serializer. |
| 0 | RESERVED | R/W | 0h | Reserved |

7.6.1.17 SlaveAlias_0 Register (Address = 10h) [reset = 0h]

 SlaveAlias_0 is described in [Table 28](#).

 Return to [Summary Table](#).

Table 28. SlaveAlias_0 Register Field Descriptions

| Bit | Field | Type | Reset | Description |
|-----|------------------|------|-------|--|
| 7-1 | SLAVE_ALIASE_ID0 | R/W | 0h | 7-bit Remote Slave Device Alias ID 0. Configures the decoder for detecting transactions designated for an I2C Slave device attached to the remote Serializer. The transaction will be remapped to the address specified in the Slave ID0 register. A value of 0 in this field disables access to the remote I2C Slave. |
| 0 | RESERVED | R | 0h | Reserved |

7.6.1.18 SlaveAlias_1 Register (Address = 11h) [reset = 0h]

SlaveAlias_1 is described in [Table 29](#).

Return to [Summary Table](#).

Table 29. SlaveAlias_1 Register Field Descriptions

| Bit | Field | Type | Reset | Description |
|-----|-----------------|------|-------|---|
| 7-1 | SLAVE_ALIAS_ID1 | R/W | 0h | 7-bit Remote Slave Device Alias ID 1. Configures the decoder for detecting transactions designated for an I2C Slave device attached to the remote Serializer. The transaction will be remapped to the address specified in the Slave ID1 register. A value of 0 in this field disables access to the remote I2C Slave. |
| 0 | RESERVED | R | 0h | Reserved |

7.6.1.19 SlaveAlias_2 Register (Address = 12h) [reset = 0h]

SlaveAlias_2 is described in [Table 30](#).

Return to [Summary Table](#).

Table 30. SlaveAlias_2 Register Field Descriptions

| Bit | Field | Type | Reset | Description |
|-----|-----------------|------|-------|---|
| 7-1 | SLAVE_ALIAS_ID2 | R/W | 0h | 7-bit Remote Slave Device Alias ID 2. Configures the decoder for detecting transactions designated for an I2C Slave device attached to the remote Serializer. The transaction will be remapped to the address specified in the Slave ID2 register. A value of 0 in this field disables access to the remote I2C Slave. |
| 0 | RESERVED | R | 0h | Reserved |

7.6.1.20 SlaveAlias_3 Register (Address = 13h) [reset = 0h]

SlaveAlias_3 is described in [Table 31](#).

Return to [Summary Table](#).

Table 31. SlaveAlias_3 Register Field Descriptions

| Bit | Field | Type | Reset | Description |
|-----|-----------------|------|-------|---|
| 7-1 | SLAVE_ALIAS_ID3 | R/W | 0h | 7-bit Remote Slave Device Alias ID 3. Configures the decoder for detecting transactions designated for an I2C Slave device attached to the remote Serializer. The transaction will be remapped to the address specified in the Slave ID3 register. A value of 0 in this field disables access to the remote I2C Slave. |
| 0 | RESERVED | R | 0h | Reserved |

7.6.1.21 SlaveAlias_4 Register (Address = 14h) [reset = 0h]

SlaveAlias_4 is described in [Table 32](#).

Return to [Summary Table](#).

Table 32. SlaveAlias_4 Register Field Descriptions

| Bit | Field | Type | Reset | Description |
|-----|-----------------|------|-------|---|
| 7-1 | SLAVE_ALIAS_ID4 | R/W | 0h | 7-bit Remote Slave Device Alias ID 4. Configures the decoder for detecting transactions designated for an I2C Slave device attached to the remote Serializer. The transaction will be remapped to the address specified in the Slave ID4 register. A value of 0 in this field disables access to the remote I2C Slave. |
| 0 | RESERVED | R | 0h | Reserved |

7.6.1.22 SlaveAlias_5 Register (Address = 15h) [reset = 0h]

 SlaveAlias_5 is described in [Table 33](#).

 Return to [Summary Table](#).

Table 33. SlaveAlias_5 Register Field Descriptions

| Bit | Field | Type | Reset | Description |
|-----|-----------------|------|-------|---|
| 7-1 | SLAVE_ALIAS_ID5 | R/W | 0h | 7-bit Remote Slave Device Alias ID 5. Configures the decoder for detecting transactions designated for an I2C Slave device attached to the remote Serializer. The transaction will be remapped to the address specified in the Slave ID5 register. A value of 0 in this field disables access to the remote I2C Slave. |
| 0 | RESERVED | R | 0h | Reserved |

7.6.1.23 SlaveAlias_6 Register (Address = 16h) [reset = 0h]

 SlaveAlias_6 is described in [Table 34](#).

 Return to [Summary Table](#).

Table 34. SlaveAlias_6 Register Field Descriptions

| Bit | Field | Type | Reset | Description |
|-----|-----------------|------|-------|---|
| 7-1 | SLAVE_ALIAS_ID6 | R/W | 0h | 7-bit Remote Slave Device Alias ID 6. Configures the decoder for detecting transactions designated for an I2C Slave device attached to the remote Serializer. The transaction will be remapped to the address specified in the Slave ID6 register. A value of 0 in this field disables access to the remote I2C Slave. |
| 0 | RESERVED | R | 0h | Reserved |

7.6.1.24 SlaveAlias_7 Register (Address = 17h) [reset = 0h]

 SlaveAlias_7 is described in [Table 35](#).

 Return to [Summary Table](#).

Table 35. SlaveAlias_7 Register Field Descriptions

| Bit | Field | Type | Reset | Description |
|-----|-----------------|------|-------|---|
| 7-1 | SLAVE_ALIAS_ID7 | R/W | 0h | 7-bit Remote Slave Device Alias ID 7. Configures the decoder for detecting transactions designated for an I2C Slave device attached to the remote Serializer. The transaction will be remapped to the address specified in the Slave ID7 register. A value of 0 in this field disables access to the remote I2C Slave. |
| 0 | RESERVED | R | 0h | Reserved |

7.6.1.25 MAILBOX_18 Register (Address = 18h) [reset = 0h]

 MAILBOX_18 is described in [Table 36](#).

 Return to [Summary Table](#).

Table 36. MAILBOX_18 Register Field Descriptions

| Bit | Field | Type | Reset | Description |
|-----|------------|------|-------|--|
| 7-0 | MAILBOX_18 | R/W | 0h | Mailbox Register. This register is an unused read/write register that can be used for any purpose such as passing messages between I ² C masters on opposite ends of the link. |

7.6.1.26 MAILBOX_19 Register (Address = 19h) [reset = 1h]

MAILBOX_19 is described in [Table 37](#).

Return to [Summary Table](#).

Table 37. MAILBOX_19 Register Field Descriptions

| Bit | Field | Type | Reset | Description |
|-----|------------|------|-------|--|
| 7-0 | MAILBOX_19 | R/W | 1h | Mailbox Register. This register is an unused read/write register that can be used for any purpose such as passing messages between I ² C masters on opposite ends of the link. |

7.6.1.27 GPIO_9_Global_GPIO_Config Register (Address = 1Ah) [reset = 0h]

GPIO_9_Global_GPIO_Config is described in [Table 38](#).

Return to [Summary Table](#).

Table 38. GPIO_9_Global_GPIO_Config Register Field Descriptions

| Bit | Field | Type | Reset | Description |
|-----|--------------------------|------|-------|---|
| 7 | GLOBAL_GPIO_OUTPUT_VALUE | R/W | 0h | Global GPIO Output Value. This value is output on each GPIO pin when the individual pin is not otherwise enabled as a GPIO and the global GPIO direction is Output |
| 6 | RESERVED | R/W | 0h | Reserved |
| 5 | GLOBAL_GPIO_FORCE_DIR | R/W | 0h | The GLOBAL GPIO DIR and GLOBAL GPIO EN bits configure the pad in input direction or output direction for functional mode or GPIO mode. The GLOBAL bits are overridden by the individual GPIO DIR and GPIO EN bits. (GLOBAL GPIO DIR, GLOBAL GPIO EN) 00: Functional mode; output 10: Tri-state 01: Force mode; output 11: Force mode; input |
| 4 | GLOBAL_GPIO_FORCE_EN | R/W | 0h | |
| 3 | GPIO9_OUTPUT_VALUE | R/W | 0h | Local GPIO Output Value. This value is output on the GPIO pin when the GPIO function is enabled, the local GPIO direction is Output, and remote GPIO control is disabled. |
| 2 | RESERVED | R/W | 0h | Reserved |
| 1 | GPIO9_DIR | R/W | 0h | The GPIO DIR bits configure the pad in input direction or output direction for functional mode or GPIO mode. 00: Functional mode; output 10: Tri-state 01: GPIO mode; output 11: GPIO mode; input |
| 0 | GPIO9_EN | R/W | 0h | The GPIO EN bits configure the pad in input direction or output direction for functional mode or GPIO mode. 00: Functional mode; output 10: Tri-state 01: GPIO mode; output 11: GPIO mode; input |

7.6.1.28 Frequency_Counter Register (Address = 1Bh) [reset = 0h]

Frequency_Counter is described in [Table 39](#).

Return to [Summary Table](#).

Table 39. Frequency_Counter Register Field Descriptions

| Bit | Field | Type | Reset | Description |
|-----|-----------------|------|-------|--|
| 7-0 | Frequency_Count | R/W | 0h | Frequency Counter control. A write to this register will enable a frequency counter to count the number of pixel clock during a specified time interval. The time interval is equal to the value written multiplied by the oscillator clock period (nominally 40 ns). A read of the register returns the number of pixel clock edges seen during the enabled interval. The frequency counter will freeze at 0xff if it reaches the maximum value. The frequency counter will provide a rough estimate of the pixel clock period. If the pixel clock frequency is known, the frequency counter may be used to determine the actual oscillator clock frequency. |

7.6.1.29 General_Status Register (Address = 1Ch) [reset = 0h]

General_Status is described in [Table 40](#).

Return to [Summary Table](#).

Table 40. General_Status Register Field Descriptions

| Bit | Field | Type | Reset | Description |
|-----|-------------|------|----------|--|
| 7-6 | RESERVED | R | 0h | Reserved |
| 5 | RESERVED | R | 1h | Reserved |
| 4 | DUAL_RX_STS | R | 0h | Receiver Dual Link Status. This bit indicates the current operating mode of the FPD-Link III Receive port. 1: Dual-link mode active 0: Single-link mode active |
| 3 | I2S_LOCKED | R | 0h | I2S LOCK STATUS. 0: I2S PLL controller not locked 1: I2S PLL controller locked to input I2S clock |
| 2 | RESERVED | R | 0h | Reserved |
| 1 | RESERVED | R | 0h or 1h | Reserved |
| 0 | LOCK | R | 0h | De-Serializer CDR, PLL's clock to recovered clock frequency. 1: De-Serializer locked to recovered clock 0: De-Serializer not locked In Dual-link mode, this indicates both channels are locked. |

7.6.1.30 GPIO0_Config Register (Address = 1Dh) [reset = 0h]

GPIO0_Config is described in [Table 41](#).

Return to [Summary Table](#).

GPIO0 and D_GPIO0 Configuration

If PORT1_SEL is set, this register controls the D_GPIO0 pin.

Table 41. GPIO0_Config Register Field Descriptions

| Bit | Field | Type | Reset | Description |
|-----|---|------|-------|--|
| 7-4 | Rev-ID | R | 0h | Revision ID. 0100: DS90UB940-Q1 0110: DS90UB940N-Q1 |
| 3 | GPIO0_OUTPUT_VALUE _D_GPIO0_OUTPUT_VALUE | R/W | 0h | Local GPIO Output Value. This value is output on the GPIO pin when the GPIO function is enabled, the local GPIO direction is Output, and remote GPIO control is disabled. |

Table 41. GPIO0_Config Register Field Descriptions (continued)

| Bit | Field | Type | Reset | Description |
|-----|---|------|-------|---|
| 2 | GPIO0_REMOTE_ENABLE _D_GPIO0_REMOTE_ENABLE | R/W | 0h | Remote GPIO Control. 1: Enable GPIO control from remote Serializer. The GPIO pin will be an output, and the value is received from the remote Serializer. 0: Disable GPIO control from remote Serializer. |
| 1 | GPIO0_DIR _D_GPIO0_DIR | R/W | 0h | The GPIO DIR configures the pad in input direction or output direction for functional mode or GPIO mode. 00: Functional mode; output 10: Tri-state 01: GPIO mode; output 11: GPIO mode; input |
| 0 | GPIO0_EN _D_GPIO0_EN | R/W | 0h | The GPIO EN configures the pad in input direction or output direction for functional mode or GPIO mode. 00: Functional mode; output 10: Tri-state 01: GPIO mode; output 11: GPIO mode; input |

7.6.1.31 GPIO1_2_Config Register (Address = 1Eh) [reset = 0h]

GPIO1_2_Config is described in [Table 42](#).

Return to [Summary Table](#).

GPIO1 / GPIO2 and D_GPIO1 / D_GPIO2 Configuration

If PORT1_SEL is set, this register controls the D_GPIO1 / D_GPIO2 pin.

Table 42. GPIO1_2_Config Register Field Descriptions

| Bit | Field | Type | Reset | Description |
|-----|---|------|-------|---|
| 7 | GPIO2_OUTPUT_VALUE _D_GPIO2_OUTPUT_VALUE | R/W | 0h | GPIO1/GPIO2 and D_GPIO1/D_GPIO2 Configuration. If PORT1_SEL is set, this register controls the D_GPIO1 and D_GPIO2 pins. Local GPIO Output Value. This value is output on the GPIO pin when the GPIO function is enabled, the local GPIO direction is Output, and remote GPIO control is disabled. |
| 6 | GPIO2_REMOTE_ENABLE _D_GPIO2_REMOTE_ENABLE | R/W | 0h | Remote GPIO Control. 1: Enable GPIO control from remote Serializer. The GPIO pin will be an output, and the value is received from the remote Serializer. 0: Disable GPIO control from remote Serializer. |
| 5 | GPIO2_DIR _D_GPIO2_DIR | R/W | 0h | The GPIO DIR configures the pad in input direction or output direction for functional mode or GPIO mode. 00: Functional mode; output 10: Tri-state 01: GPIO mode; output 11: GPIO mode; input |
| 4 | GPIO2_EN _D_GPIO2_EN | R/W | 0h | The GPIO EN configures the pad in input direction or output direction for functional mode or GPIO mode. 00: Functional mode; output 10: Tri-state 01: GPIO mode; output 11: GPIO mode; input |
| 3 | GPIO1_OUTPUT_VALUE _D_GPIO1_OUTPUT_VALUE | R/W | 0h | Local GPIO Output Value. This value is output on the GPIO pin when the GPIO function is enabled, the local GPIO direction is Output, and remote GPIO control is disabled. |
| 2 | GPIO1_REMOTE_ENABLE _D_GPIO1_REMOTE_ENABLE | R/W | 0h | Remote GPIO Control. 1: Enable GPIO control from remote Serializer. The GPIO pin will be an output, and the value is received from the remote Serializer. 0: Disable GPIO control from remote Serializer. |

Table 42. GPIO1_2_Config Register Field Descriptions (continued)

| Bit | Field | Type | Reset | Description |
|-----|---------------------------|------|-------|---|
| 1 | GPIO1_DIR _D_GPIO1_DIR | R/W | 0h | The GPIO DIR configures the pad in input direction or output direction for functional mode or GPIO mode. 00: Functional mode; output 10: Tri-state 01: GPIO mode; output 11: GPIO mode; input |
| 0 | GPIO1_EN _D_GPIO1_EN | R/W | 0h | The GPIO EN configures the pad in input direction or output direction for functional mode or GPIO mode. 00: Functional mode; output 10: Tri-state 01: GPIO mode; output 11: GPIO mode; input |

7.6.1.32 GPIO_3_Config Register (Address = 1Fh) [reset = 0h]

GPIO_3_Config is described in [Table 43](#).

Return to [Summary Table](#).

GPIO3 and D_GPIO3 Configuration

If PORT1_SEL is set, this register controls the D_GPIO3 pin.

Table 43. GPIO_3_Config Register Field Descriptions

| Bit | Field | Type | Reset | Description |
|-----|---|------|-------|---|
| 7-4 | RESERVED | R/W | 0h | Reserved (No GPIO4) |
| 3 | GPIO3_OUTPUT _VALUE _D_GPIO3_OUTPUT _VALUE | R/W | 0h | Local GPIO Output Value. This value is output on the GPIO pin when the GPIO function is enabled, the local GPIO direction is Output, and remote GPIO control is disabled. |
| 2 | GPIO3_REMOTE _ENABLE _D_GPIO3_REMOTE _ENABLE | R/W | 0h | Remote GPIO Control. 1: Enable GPIO control from remote Serializer. The GPIO pin will be an output, and the value is received from the remote Serializer. 0: Disable GPIO control from remote Serializer. |
| 1 | GPIO3_DIR _D_GPIO3_DIR | R/W | 0h | The GPIO DIR configures the pad in input direction or output direction for functional mode or GPIO mode. 00: Functional mode; output 10: Tri-state 01: GPIO mode; output 11: GPIO mode; input |
| 0 | GPIO3_EN _D_GPIO3_EN | R/W | 0h | The GPIO EN configures the pad in input direction or output direction for functional mode or GPIO mode. 00: Functional mode; output 10: Tri-state 01: GPIO mode; output 11: GPIO mode; input |

7.6.1.33 GPIO_5_6_Config Register (Address = 20h) [reset = 0h]

GPIO_5_6_Config is described in [Table 44](#).

Return to [Summary Table](#).

Table 44. GPIO_5_6_Config Register Field Descriptions

| Bit | Field | Type | Reset | Description |
|-----|------------------------|------|-------|--|
| 7 | GPIO6_OUTPUT _VALUE | R/W | 0h | Local GPIO Output Value. This value is output on the GPIO pin when the GPIO function is enabled, the local GPIO direction is Output, and remote GPIO control is disabled. |

Table 44. GPIO_5_6_Config Register Field Descriptions (continued)

| Bit | Field | Type | Reset | Description |
|-----|---------------------|------|-------|---|
| 6 | GPIO6_REMOTE_ENABLE | R/W | 0h | Remote GPIO Control. 1: Enable GPIO control from remote Serializer. The GPIO pin will be an output, and the value is received from the remote Serializer. 0: Disable GPIO control from remote Serializer. |
| 5 | GPIO6_DIR | R/W | 0h | The GPIO DIR configures the pad in input direction or output direction for functional mode or GPIO mode. 00: Functional mode; output 10: Tri-state 01: GPIO mode; output 11: GPIO mode; input |
| 4 | GPIO6_EN | R/W | 0h | The GPIO EN configures the pad in input direction or output direction for functional mode or GPIO mode. 00: Functional mode; output 10: Tri-state 01: GPIO mode; output 11: GPIO mode; input |
| 3 | GPIO5_OUTPUT_VALUE | R/W | 0h | Local GPIO Output Value. This value is output on the GPIO pin when the GPIO function is enabled, the local GPIO direction is Output, and remote GPIO control is disabled. |
| 2 | GPIO5_REMOTE_ENABLE | R/W | 0h | Remote GPIO Control. 1: Enable GPIO control from remote Serializer. The GPIO pin will be an output, and the value is received from the remote Serializer. 0: Disable GPIO control from remote Serializer. |
| 1 | GPIO5_DIR | R/W | 0h | The GPIO DIR configures the pad in input direction or output direction for functional mode or GPIO mode. 00: Functional mode; output 10: Tri-state 01: GPIO mode; output 11: GPIO mode; input |
| 0 | GPIO5_EN | R/W | 0h | The GPIO EN configures the pad in input direction or output direction for functional mode or GPIO mode. 00: Functional mode; output 10: Tri-state 01: GPIO mode; output 11: GPIO mode; input |

7.6.1.34 GPIO_7_8_Config Register (Address = 21h) [reset = 0h]

GPIO_7_8_Config is described in [Table 45](#).

Return to [Summary Table](#).

Table 45. GPIO_7_8_Config Register Field Descriptions

| Bit | Field | Type | Reset | Description |
|-----|---------------------|------|-------|---|
| 7 | GPIO8_OUTPUT_VALUE | R/W | 0h | Local GPIO Output Value. This value is output on the GPIO pin when the GPIO function is enabled, the local GPIO direction is Output, and remote GPIO control is disabled. |
| 6 | GPIO8_REMOTE_ENABLE | R/W | 0h | Remote GPIO Control. 1: Enable GPIO control from remote Serializer. The GPIO pin will be an output, and the value is received from the remote Serializer. 0: Disable GPIO control from remote Serializer. |
| 5 | GPIO8_DIR | R/W | 0h | The GPIO DIR configures the pad in input direction or output direction for functional mode or GPIO mode. 00: Functional mode; output 10: Tri-state 01: GPIO mode; output 11: GPIO mode; input |

Table 45. GPIO_7_8_Config Register Field Descriptions (continued)

| Bit | Field | Type | Reset | Description |
|-----|---------------------|------|-------|---|
| 4 | GPIO8_EN | R/W | 0h | The GPIO EN configures the pad in input direction or output direction for functional mode or GPIO mode. 00: Functional mode; output 10: Tri-state 01: GPIO mode; output 11: GPIO mode; input |
| 3 | GPIO7_OUTPUT_VALUE | R/W | 0h | Local GPIO Output Value. This value is output on the GPIO pin when the GPIO function is enabled, the local GPIO direction is Output, and remote GPIO control is disabled. |
| 2 | GPIO7_REMOTE_ENABLE | R/W | 0h | Remote GPIO Control. 1: Enable GPIO control from remote Serializer. The GPIO pin will be an output, and the value is received from the remote Serializer. 0: Disable GPIO control from remote Serializer. |
| 1 | GPIO7_DIR | R/W | 0h | The GPIO DIR configures the pad in input direction or output direction for functional mode or GPIO mode. 00: Functional mode; output 10: Tri-state 01: GPIO mode; output 11: GPIO mode; input |
| 0 | RESERVED | R/W | 0h | Reserved |

7.6.1.35 Datapath_Control Register (Address = 22h) [reset = 0h]

Datapath_Control is described in [Table 46](#).

Return to [Summary Table](#).

Table 46. Datapath_Control Register Field Descriptions

| Bit | Field | Type | Reset | Description |
|-----|-------------------------------|------|-------|---|
| 7 | OVERRIDE_FC_CONFIG | R/W | 0h | 1: Disable loading of this register from the forward channel, keeping locally written values intact 0: Allow forward channel loading of this register |
| 6 | PASS_RGB | R/W | 0h | Setting this bit causes RGB data to be sent independent of DE. This allows operation in systems which may not use DE to frame video data or send other data when DE is deasserted. Note that setting this bit prevents HDCP operation and blocks packetized audio. This bit does not need to be set in DS90UB928 or in Backward Compatibility mode. 1: Pass RGB independent of DE 0: Normal operation Note: this bit is automatically loaded from the remote serializer unless bit 7 of this register is set. |
| 5 | DE_POLARITY | R/W | 0h | This bit indicates the polarity of the DE (Data Enable) signal. 1: DE is inverted (active low, idle high) 0: DE is positive (active high, idle low) Note: this bit is automatically loaded from the remote serializer unless bit 7 of this register is set. |
| 4 | I2S_RPTR_REGEN | R/W | 0h | This bit controls whether the HDCP Receiver outputs packetized Auxiliary/Audio data on the RGB video output pins. 1: Don't output packetized audio data on RGB video output pins 0: Output packetized audio on RGB video output pins. Note: this bit is automatically loaded from the remote serializer unless bit 7 of this register is set. |
| 3 | I2S_4-CHANNEL_ENABLE_OVERRIDE | R/W | 0h | 1: Set I2S 4-Channel Enable from bit of of this register 0: Set I2S 4-Channel disabled Note: this bit is automatically loaded from the remote serializer unless bit 7 of this register is set. |
| 2 | 18-BIT_VIDEO_SELECT | R/W | 0h | 1: Select 18-bit video mode 0: Select 24-bit video mode Note: this bit is automatically loaded from the remote serializer unless bit 7 of this register is set. |

Table 46. Datapath_Control Register Field Descriptions (continued)

| Bit | Field | Type | Reset | Description |
|-----|----------------------|------|-------|---|
| 1 | I2S_TRANSPORT_SELECT | R/W | 0h | 1: Enable I2S In-Band Transport 0: Enable I2S Data Island Transport Note: this bit is automatically loaded from the remote serializer unless bit 7 of this register is set. |
| 0 | I2S_4-CHANNEL_ENABLE | R/W | 0h | I2S 4-Channel Enable. 1: Enable I2S 4-Channel 0: Disable I2S 4-Channel Note: this bit is automatically loaded from the remote serializer unless bit 7 of this register is set. |

7.6.1.36 RX_Mode_Status Register (Address = 23h) [reset = Strap]

 RX_Mode_Status is described in [Table 47](#).

 Return to [Summary Table](#).

Table 47. RX_Mode_Status Register Field Descriptions

| Bit | Field | Type | Reset | Description |
|-----|-----------------|-------|-------|--|
| 7 | RX_RGB_CHECKSUM | R/W | 0h | RX RGB Checksum Enable. Setting this bit enables the Receiver to validate a one-byte checksum following each video line. Checksum failures are reported in the HDCP_STS register. |
| 6 | BC_FREQ_SELECT | R/W | 0h | Back Channel Frequency Select. 0: Divide-by-4 frequency based on the OSC CLOCK DIVIDER in Register 0x32 1: Divide-by-2 frequency based on the OSC CLOCK DIVIDER in Register 0x32 This bit will be ignored if BC_HIGH_SPEED is set to a 1. Note that changing this setting will result in some errors on the back channel for a short period of time. If set over the control channel, the Serializer should first be programmed to Auto-Ack operation (Serializer register 0x03, bit 5) to avoid a control channel timeout due to lack of response from the Deserializer. |
| 5 | AUTO_I2S | R/W | 1h | Auto I2S. Determine I2S mode from the AUX data codes. |
| 4 | BC_HIGH_SPEED | R/W/S | Strap | Back-Channel High-Speed control. Enables high-speed back-channel at 20 Mbps This bit will override the BC_FREQ_SELECT setting Note that changing this setting will result in some errors on the back channel for a short period of time. If set over the control channel, the Serializer should first be programmed to Auto-Ack operation (Serializer register 0x03, bit 5) to avoid a control channel timeout due to lack of response from the Deserializer. BC_HIGH_SPEED is loaded from the MODE_SEL1 pin strap options. |
| 3 | COAX_MODE | R/W/S | Strap | Coax Mode. Configures the FPD3 Receiver for operation over Coax or STP cabling: 0 : Shielded twisted-pair (STP) 1 : Coax Coax Mode is loaded from the MODE_SEL1 pin strap options. |
| 2 | REPEATER_MODE | R/S | Strap | Repeater Mode. Indicates device is strapped to repeater mode. Repeater Mode is loaded from the MODE_SEL1 pin strap options. |
| 1 | RESERVED | R/W | 0h | Reserved |
| 0 | RESERVED | R/W | 0h | Reserved |

7.6.1.37 BIST_Control Register (Address = 24h) [reset = 8h]

 BIST_Control is described in [Table 48](#).

 Return to [Summary Table](#).

Table 48. BIST_Control Register Field Descriptions

| Bit | Field | Type | Reset | Description |
|-----|-------------------|------|-------|--|
| 7-6 | RESERVED | R/W | 0h | Reserved |
| 5-4 | AUTO_OSC_FREQ | R/W | 0h | When register 0x02 bit 5 (AUTO)CLOCK_EN is set, this field controls the nominal frequency of the oscillator-based receive clock. 00: 50 MHz 01: 25 MHz 10: 10 MHz 11: Reserved |
| 3 | BIST_PIN_CONFIG | R/W | 1h | BIST Configuration through Pin. 1: BIST configured through pin. 0: BIST configured through bits 2:0 in this register |
| 2-1 | BIST_CLOCK_SOURCE | R/W | 0h | BIST Clock Source. This register field selects the BIST Clock Source at the Serializer. These register bits are automatically written to the CLOCK SOURCE bits (register offset 0x14) in the Serializer after BIST is enabled. See the appropriate Serializer register descriptions for details. 00: External Pixel Clock 01: Internal Pixel Clock 1x: Internal Pixel Clock |
| 0 | BIST_EN | R/W | 0h | BIST Control. 1: Enabled 0: Disabled |

7.6.1.38 BIST_ERROR_COUNT Register (Address = 25h) [reset = 0h]

 BIST_ERROR_COUNT is described in [Table 49](#).

 Return to [Summary Table](#).

Table 49. BIST_ERROR_COUNT Register Field Descriptions

| Bit | Field | Type | Reset | Description |
|-----|------------------|------|-------|-------------------|
| 7-0 | BIST_ERROR_COUNT | R | 0h | Bist Error Count. |

7.6.1.39 SCL_High_Time Register (Address = 26h) [reset = 83h]

 SCL_High_Time is described in [Table 50](#).

 Return to [Summary Table](#).

Table 50. SCL_High_Time Register Field Descriptions

| Bit | Field | Type | Reset | Description |
|-----|---------------|------|-------|--|
| 7-0 | SCL_HIGH_TIME | R/W | 83h | I ² C Master SCL High Time. This field configures the high pulse width of the SCL output when the De-Serializer is the Master on the local I ² C bus. Units are 50 ns for the nominal oscillator clock frequency. The default value is set to provide a minimum 5- μ s SCL high time with the internal oscillator clock running at 26 MHz rather than the nominal 20 MHz. |

7.6.1.40 SCL_Low_Time Register (Address = 27h) [reset = 84h]

SCL_Low_Time is described in [Table 51](#).

Return to [Summary Table](#).

Table 51. SCL_Low_Time Register Field Descriptions

| Bit | Field | Type | Reset | Description |
|-----|--------------|------|-------|---|
| 7-0 | SCL_LOW_TIME | R/W | 84h | I2C SCL Low Time. This field configures the low pulse width of the SCL output when the De-Serializer is the Master on the local I ² C bus. This value is also used as the SDA setup time by the I ² C Slave for providing data prior to releasing SCL during accesses over the Bidirectional Control Channel. Units are 50 ns for the nominal oscillator clock frequency. The default value is set to provide a minimum 5- μ s SCL low time with the internal oscillator clock running at 26 MHz rather than the nominal 20 MHz. |

7.6.1.41 Datapath_Control_2 Register (Address = 28h) [reset = Loaded from SER]

Datapath_Control_2 is described in [Table 52](#).

Return to [Summary Table](#).

Table 52. Datapath_Control_2 Register Field Descriptions

| Bit | Field | Type | Reset | Description |
|-----|----------------------|------|-----------------|---|
| 7 | OVERRIDE_FC_CONFIG | R/W | 0h | 1: Disable loading of this register from the forward channel, keeping locally written values intact 0: Allow forward channel loading of this register |
| 6 | RESERVED | R/W | 0h | Reserved |
| 5 | VIDEO_DISABLED | R/W | Loaded from SER | Forward channel video disabled (Load from remote Serializer). 0 : Normal operation 1 : Video is disabled, control channel is enabled This is a status bit indicating the forward channel is not sending active video. In this mode, the control channel and GPIO functions are enabled. Setting OVERRIDE_FC_CONFIG will prevent this bit from changing. |
| 4 | DUAL_LINK | R/W | Loaded from SER | 1: Dual-Link mode enabled 0: Single-Link mode enabled This bit indicates whether the FPD-Link III serializer is in single link or dual link mode. This control is used for recovering forward channel data when the FPD-Link III Receiver is in auto-detect mode. To force DUAL_LINK receive mode, use the RX_PORT_SEL register (address 0x34). Setting OVERRIDE_FC_CONFIG will prevent this bit from changing. |
| 3 | ALTERNATE_I2S_ENABLE | R/W | Loaded from SER | 1: Enable alternate I2S output on GPIO1 (word clock) and GPIO0 (data) 0: Normal Operation |
| 2 | I2S_DISABLED | R/W | Loaded from SER | 1: I2S DISABLED 0: Normal Operation |
| 1 | 28BIT_VIDEO | R/W | Loaded from SER | 1: 28-bit Video enable (that is, HS, VS, DE are present in forward channel) 0: Normal Operation |
| 0 | I2S_SURROUND | R/W | Loaded from SER | 1: I2S Surround enabled 0: I2S Surround disabled |

7.6.1.42 I2S_Control Register (Address = 2Bh) [reset = 0h]

I2S_Control is described in [Table 53](#).

Return to [Summary Table](#).

Table 53. I2S_Control Register Field Descriptions

| Bit | Field | Type | Reset | Description |
|-----|--------------------------|------|-------|---|
| 7-4 | RESERVED | R/W | 0h | Reserved |
| 3 | I2S_FIFO_OVERFLOW_STATUS | R | 0h | I2S FIFO Overflow Status. |
| 2 | I2S_FIFO_UNDERRUN_STATUS | R | 0h | I2S FIFO Underrun Status. |
| 1 | I2S_FIFO_ERROR_RESET | R/W | 0h | I2S Fifo Error Reset. 1: Clears FIFO Error |
| 0 | I2S_DATA_FALLING_EDGE | R/W | 0h | I2S Clock Edge Select. 1: I2S Data is strobed on the Rising Clock Edge. 0: I2S Data is strobed on the Falling Clock Edge. |

7.6.1.43 PCLK_Test_Mode Register (Address = 2Eh) [reset = 0h]

PCLK_Test_Mode is described in [Table 54](#).

Return to [Summary Table](#).

Table 54. PCLK_Test_Mode Register Field Descriptions

| Bit | Field | Type | Reset | Description |
|-----|---------------|------|-------|--------------------------------------|
| 7 | EXTERNAL_PCLK | R/W | 0h | Select pixel clock from BISTC input. |
| 6-0 | RESERVED | R/W | 0h | Reserved |

7.6.1.44 DUAL_RX_CTL Register (Address = 34h) [reset = 1h]

DUAL_RX_CTL is described in [Table 55](#).

Return to [Summary Table](#).

Table 55. DUAL_RX_CTL Register Field Descriptions

| Bit | Field | Type | Reset | Description |
|-----|-----------------|------|-------|--|
| 7 | RESERVED | R | 0h | Reserved |
| 6 | RX_LOCK_MODE | R/W | 0h | RX Lock Mode. Determines operating conditions for indication of RX_LOCK and generation of video data. 0 : RX_LOCK asserted only when receiving active video (Forward channel VIDEO_DISABLED bit is 0) 1 : RX_LOCK asserted when device is linked to a Serializer even if active video is not being sent. This allows indication of valid link where Bidirectional Control Channel is enabled, but Deserializer is not receiving Audio/Video data. |
| 5 | RAW_2ND_BC | R/W | 0h | Enable Raw Secondary Back channel. if this bit is set to a 1, the secondary back channel will operate in a raw mode, passing D_GPIO0 from the Deserializer to the Serializer, without any oversampling or filtering. |
| 4-3 | FPD3_INPUT_MODE | R/W | 0h | FPD-Link III Input Mode. Determines operating mode of dual FPD-Link III Receive interface 00: Auto-detect based on received data 01: Forced Mode: Dual link 10: Forced Mode: Single link, primary input 11: Forced Mode: Single link, secondary input |
| 2 | RESERVED | R/W | 0h | Reserved |

Table 55. DUAL_RX_CTL Register Field Descriptions (continued)

| Bit | Field | Type | Reset | Description |
|-----|-----------|------|-------|--|
| 1 | PORT1_SEL | R/W | 0h | Selects Port 1 for Register Access from primary I ² C Address For writes, port1 registers and shared registers will both be written. For reads, port1 registers and shared registers will be read. This bit must be cleared to read port0 registers. |
| 0 | PORT0_SEL | R/W | 1h | Selects Port 0 for Register Access from primary I ² C Address For writes, port0 registers and shared registers will both be written. For reads, port0 registers and shared registers will be read. Note that if PORT1_SEL is also set, then port1 registers will be read. |

7.6.1.45 AEQ_CTL1 Register (Address = 35h) [reset = 0h]

AEQ_CTL1 is described in [Table 56](#).

Return to [Summary Table](#).

Table 56. AEQ_CTL1 Register Field Descriptions

| Bit | Field | Type | Reset | Description |
|-----|--------------------|------|-------|---|
| 7 | RESERVED | R/W | 0h | Reserved |
| 6 | AEQ_RESTART | R/W | 0h | Set high to restart AEQ adaptation from initial value. Method is write HIGH then write LOW - not self clearing. Adaption will be restarted on both ports. |
| 5 | OVERRIDE_AEQ_FLOOR | R/W | 0h | Enable operation of SET_AEQ_FLOOR. |
| 4 | SET_AEQ_FLOOR | R/W | 0h | Enable the ADAPTIVE_EQ_FLOOR_VALUE set in the AEQ_CTL2 register 0x45. |
| 3-0 | RESERVED | R/W | 0h | Reserved |

7.6.1.46 MODE_SEL Register (Address = 37h) [reset = 0h]

MODE_SEL is described in [Table 57](#).

Return to [Summary Table](#).

Table 57. MODE_SEL Register Field Descriptions

| Bit | Field | Type | Reset | Description |
|-----|------------|------|-------|---|
| 7 | MODE1_DONE | R | 0h | MODE_SEL1 Done. If set, indicates the MODE_SEL1 decode has completed and latched into the MODE_SEL1 status bits. |
| 6-4 | MODE_SEL1 | R | 0h | MODE_SEL1 Decode. 3-bit decode from MODE_SEL1 pin |
| 3 | MODE0_DONE | R | 0h | MODE_SEL0 Done. If set, indicates the MODE_SEL0 decode has completed and latched into the MODE_SEL0 status bits. |
| 2-0 | MODE_SEL0 | R | 0h | MODE_SEL0 Decode. 3-bit decode from MODE_SEL0 pin |

7.6.1.47 I2S_DIVSEL Register (Address = 3Ah) [reset = 0h]

I2S_DIVSEL is described in [Table 58](#).

Return to [Summary Table](#).

Table 58. I2S_DIVSEL Register Field Descriptions

| Bit | Field | Type | Reset | Description |
|-----|-------------|------|-------|--|
| 7 | REG_OV_MDIV | R/W | 0h | 0: No override for MCLK divider 1: Override divider select for MCLK |

Table 58. I2S_DIVSEL Register Field Descriptions (continued)

| Bit | Field | Type | Reset | Description |
|-----|----------------|------|-------|--|
| 6-4 | REG_MDIV | R/W | 0h | Divide ratio select for VCO output (32 × REF/M). 000: Divide by 32 (=REF/M) 001: Divide by 16 (=2 × REF/M) 010: Divide by 8 (=4 × REF/M) 011: Divide by 4 (=8 × REF/M) 100, 101: Divide by 2 (=16 × REF/M) 110, 111: Divide by 1 (=32 × REF/M) |
| 3 | RESERVED | R | 0h | Reserved |
| 2 | REG_OV_MSELECT | R/W | 0h | 0: Divide ratio of reference clock VCO selected by PLL-SM 1: Override divide ratio of clock to VCO |
| 1-0 | REG_MSELECT | R/W | 0h | Divide ratio select for VCO input (M). 00: Divide by 1 01: Divide by 2 10: Divide by 4 11: Divide by 8 |

7.6.1.48 Adaptive_EQ_Status Register (Address = 3Bh) [reset = 0h]

 Adaptive_EQ_status is described in [Table 59](#).

 Return to [Summary Table](#).

Table 59. Adaptive_EQ_Status Register Field Descriptions

| Bit | Field | Type | Reset | Description |
|-----|-----------|------|-------|---------------------|
| 7-6 | RESERVED | R | 0h | Reserved |
| 5-0 | EQ_STATUS | R | 0h | Adaptive EQ Status. |

7.6.1.49 LINK_ERROR_COUNT Register (Address = 41h) [reset = 3h]

 LINK_ERROR_COUNT is described in [Table 60](#).

 Return to [Summary Table](#).

Table 60. LINK_ERROR_COUNT Register Field Descriptions

| Bit | Field | Type | Reset | Description |
|-----|-------------------------|------|-------|--|
| 7-5 | RESERVED | R/W | 0h | Reserved |
| 4 | LINK_ERROR_COUNT_ENABLE | R/W | 0h | Enable serial link data integrity error count. 1: Enable error count 0: DISABLE |
| 3-0 | LINK_ERROR_COUNT | R/W | 3h | Link error count threshold. Counter is pixel clock based. clk0, clk1 and DCA are monitored for link errors, if error count is enabled, deserializer loose lock once error count reaches threshold. If disabled, Deserializer loses lock with one error. |

7.6.1.50 HSCC_CONTROL Register (Address = 43h) [reset = 0h]

 HSCC_CONTROL is described in [Table 61](#).

 Return to [Summary Table](#).

Table 61. HSCC_CONTROL Register Field Descriptions

| Bit | Field | Type | Reset | Description |
|-----|----------|------|-------|-------------|
| 7-5 | RESERVED | R/W | 0h | Reserved |

Table 61. HSCC_CONTROL Register Field Descriptions (continued)

| Bit | Field | Type | Reset | Description |
|-----|---------------|------|-------|---|
| 4 | SPI_MISO_MODE | R/W | 0h | SPI MISO pin mode during Reverse SPI mode. During Reverse SPI mode, SPI_MISO is typically an output signal. For bus SPI applications, it may be necessary to tri-state the SPI_MISO output if the device is not selected (SPI_SS = 0). 0: Always enable SPI_MISO output driver 1: Tri-state SPI_MISO output if SPI_SS is not asserted (low) |
| 3 | SPI_CPOL | R/W | 0h | SPI Clock Polarity Control. 0: SPI Data driven on Falling clock edge, sampled on Rising clock edge 1: SPI Data driven on Rising clock edge, sampled on Falling clock edge |
| 2-0 | HSCC_MODE | R/W | 0h | High-Speed Control Channel Mode. Enables high-speed modes for the secondary link back-channel, allowing higher speed signaling of GPIOs or SPI interface: These bits indicates the High-Speed Control Channel mode of operation: 000: Normal frame, GPIO mode 001: High-Speed GPIO mode, 1 GPIO 010: High-Speed GPIO mode, 2 GPIOs 011: High-Speed GPIO mode: 4 GPIOs 100: Normal frame, Forward Channel SPI mode 101: Normal frame, Reverse Channel SPI mode 110: High-Speed, Forward Channel SPI mode 111: High-Speed, Reverse Channel SPI mode |

7.6.1.51 ADAPTIVE_EQ_BYPASS Register (Address = 44h) [reset = 60h]

ADAPTIVE_EQ_BYPASS is described in [Table 62](#).

Return to [Summary Table](#).

Table 62. ADAPTIVE_EQ_BYPASS Register Field Descriptions

| Bit | Field | Type | Reset | Description |
|-----|-------------------------|------|-------|--|
| 7-5 | EQ_STAGE_1_SELECT_VALUE | R/W | 3h | EQ select value[5:3] - Used if adaptive EQ is bypassed. |
| 4 | RESERVED | R/W | 0h | Reserved |
| 3-1 | EQ_STAGE_2_SELECT_VALUE | R/W | 0h | EQ select value [2:0] - Used if adaptive EQ is bypassed. |
| 0 | ADAPTIVE_EQ_BYPASS | R/W | 0h | 1: Disable adaptive EQ 0: Enable adaptive EQ |

7.6.1.52 ADAPTIVE_EQ_MIN_MAX Register (Address = 45h) [reset = 88h]

AEQ_CTL2 is described in [Table 63](#).

Return to [Summary Table](#).

If PORT1_SEL is set, this register sets Port1 AEQ configuration

Table 63. ADAPTIVE_EQ_MIN_MAX Register Field Descriptions

| Bit | Field | Type | Reset | Description |
|-----|-------------------------|------|-------|---|
| 7-4 | RESERVED | R/W | 0h | Reserved |
| 3-0 | ADAPTIVE_EQ_FLOOR_VALUE | R/W | 8h | AEQ adaptation starts from a pre-set floor value rather than from zero - good in long cable situations. |

7.6.1.53 CML_OUTPUT_CTL1 Register (Address = 52h) [reset = 0h]

 areg12_2 is described in [Table 64](#).

 Return to [Summary Table](#).

Table 64. CML_OUTPUT_CTL1 Register Field Descriptions

| Bit | Field | Type | Reset | Description |
|-----|----------------------|------|-------|---|
| 7 | CML_CHANNEL_SELECT_1 | R/W | 0h | Selects between PORT0 and PORT1 to output onto CMLOUT±. 0: Recovered forward channel data from RIN0± is output on CMLOUT± 1: Recovered forward channel data from RIN1± is output on CMLOUT± CMLOUT driver must be enabled by setting 0x56[3] = 1. Note: This bit must match 0x57[2:1] setting for PORT0 or PORT1. |
| 6-0 | RESERVED | R/W | 0h | Reserved |

7.6.1.54 CML_OUTPUT_ENABLE Register (Address = 56h) [reset = 0h]

 CML_OUTPUT_ENABLE is described in [Table 65](#).

 Return to [Summary Table](#).

Table 65. CML_OUTPUT_ENABLE Register Field Descriptions

| Bit | Field | Type | Reset | Description |
|-----|---------------|------|-------|--|
| 7-4 | RESERVED | R/W | 0h | Reserved |
| 3 | CMLOUT_ENABLE | R/W | 0h | Enable CMLOUT± Loop-through Driver. 0: Disabled (Default) 1: Enabled |
| 2-0 | RESERVED | R/W | 0h | Reserved |

7.6.1.55 CML_OUTPUT_CTL2 Register (Address = 57h) [reset = 0h]

 CML_OUTPUT_CTL2 is described in [Table 66](#).

 Return to [Summary Table](#).

Table 66. CML_OUTPUT_CTL2 Field Descriptions

| Bit | Field | Type | Reset | Description |
|-----|----------------------|------|-------|---|
| 7-3 | RESERVED | R/W | 0h | Reserved |
| 2-1 | CML_CHANNEL_SELECT_2 | R/W | 0h | Selects between PORT0 and PORT1 to output onto CMLOUT±. 01: Recovered forward channel data from RIN0± is output on CMLOUT± 10: Recovered forward channel data from RIN1± is output on CMLOUT± CMLOUT driver must be enabled by setting 0x56[3] = 1. Note: This must match 0x52[7] setting for PORT0 or PORT1. |
| 0 | RESERVED | R/W | 0h | Reserved |

7.6.1.56 CML_OUTPUT_CTL3 Register (Address = 63h) [reset = 0h]

 CML_OUTPUT_CTL3 is described in [Table 67](#).

 Return to [Summary Table](#).

Table 67. CML_OUTPUT_CTL3 Field Descriptions

| Bit | Field | Type | Reset | Description |
|-----|----------|------|-------|-------------|
| 7-1 | RESERVED | R/W | 0h | Reserved |

Table 67. CML_OUTPUT_CTL3 Field Descriptions (continued)

| Bit | Field | Type | Reset | Description |
|-----|-------------|------|-------|--|
| 0 | CML_TX_PWDN | R/W | 0h | Powerdown CML TX. 0: CML TX powered up 1: CML TX powered down NOTE: CML TX must be powered down prior to enabling Pattern Generator. |

7.6.1.57 PGCTL Register (Address = 64h) [reset = 10h]

 PGCTL is described in [Table 68](#).

 Return to [Summary Table](#).

Table 68. PGCTL Register Field Descriptions

| Bit | Field | Type | Reset | Description |
|-----|-------------------|------|-------|---|
| 7-4 | PATGEN_SEL | R/W | 1h | Fixed Pattern Select. This field selects the pattern to output when in Fixed Pattern Mode. Scaled patterns are evenly distributed across the horizontal or vertical active regions. This field is ignored when Auto-Scrolling Mode is enabled. The following table shows the color selections in noninverted followed by inverted color mode: 0000: Reserved 0001: White/Black 0010: Black/White 0011: Red/Cyan 0100: Green/Magenta 0101: Blue/Yellow 0110: Horizontally Scaled Black to White/White to Black 0111: Horizontally Scaled Black to Red/White to Cyan 1000: Horizontally Scaled Black to Green/White to Magenta 1001: Horizontally Scaled Black to Blue/White to Yellow 1010: Vertically Scaled Black to White/White to Black 1011: Vertically Scaled Black to Red/White to Cyan 1100: Vertically Scaled Black to Green/White to Magenta 1101: Vertically Scaled Black to Blue/White to Yellow 1110: Custom color (or its inversion) configured in PGRS, PGGS, PGBS registers 1111: Reserved See TI App Note AN-2198 (SNLA132). |
| 3 | PATGEN_UNH | R/W | 0h | Enables the UNH-IOL compliance test pattern. 0: Pattern type selected by PATGEN_SEL 1: Compliance test pattern is selected. Value of PATGEN_SEL is ignored. |
| 2 | PATGEN_COLOR_BARS | R/W | 0h | Enable Color Bars. 0: Color Bars disabled 1: Color Bars enabled (White, Yellow, Cyan, Green, Magenta, Red, Blue, Black) |
| 1 | PATGEN_VCOM_REV | R/W | 0h | Reverse order of color bands in VCOM pattern. 0: Color sequence from top left is (Yellow, Cyan, Blue, Red) 1: Color sequence from top left is (Blue, Cyan, Yellow, Red) |
| 0 | PATGEN_EN | R/W | 0h | Pattern Generator Enable. 1: Enable Pattern Generator 0: Disable Pattern Generator NOTE: CML TX must be powered down prior to enabling Pattern Generator by setting register bit 0x63[0]=1. |

7.6.1.58 PGCFG Register (Address = 65h) [reset = 0h]

 PGCFG is described in [Table 69](#).

 Return to [Summary Table](#).

Table 69. PGCFG Register Field Descriptions

| Bit | Field | Type | Reset | Description |
|-----|---------------|------|-------|---|
| 7-5 | RESERVED | R | 0h | Reserved |
| 4 | PATGEN_18B | R/W | 0h | 18-bit Mode Select. 1: Enable 18-bit color pattern generation. Scaled patterns will have 64 levels of brightness and the R, G, and B outputs use the six most significant color bits. 0: Enable 24-bit pattern generation. Scaled patterns use 256 levels of brightness. |
| 3 | PATGEN_EXTCLK | R/W | 0h | Select External Clock Source 1: Selects the external pixel clock when using internal timing. 0: Selects the internal divided clock when using internal timing This bit has no effect in external timing mode (PATGEN_TSEL = 0). |
| 2 | PATGEN_TSEL | R/W | 0h | Timing Select Control. 1: The Pattern Generator creates its own video timing as configured in the Pattern Generator Total Frame Size, Active Frame Size, Horizontal Sync Width, Vertical Sync Width, Horizontal Back Porch, Vertical Back Porch, and Sync Configuration registers. 0: the Pattern Generator uses external video timing from the pixel clock, Data Enable, Horizontal Sync, and Vertical Sync signals. |
| 1 | PATGEN_INV | R/W | 0h | Enable Inverted Color Patterns. 1: Invert the color output. 0: Do not invert the color output. |
| 0 | PATGEN_ASCRL | R/W | 0h | Auto-Scroll Enable. 1: The Pattern Generator will automatically move to the next enabled pattern after the number of frames specified in the Pattern Generator Frame Time (PGFT) register. 0: The Pattern Generator retains the current pattern. |

7.6.1.59 PGIA Register (Address = 66h) [reset = 0h]

 PGIA is described in [Table 70](#).

 Return to [Summary Table](#).

Table 70. PGIA Register Field Descriptions

| Bit | Field | Type | Reset | Description |
|-----|-----------|------|-------|--|
| 7-0 | PATGEN_IA | R/W | 0h | Indirect Address. This 8-bit field sets the indirect address for accesses to indirectly-mapped registers. It should be written prior to reading or writing the Pattern Generator Indirect Data register. See TI App Note AN-2198 Exploring the internal test pattern generation feature of 720p FPD-Link III devices (SNLA132) . |

7.6.1.60 PGID Register (Address = 67h) [reset = 0h]

PGID is described in [Table 71](#).

Return to [Summary Table](#).

Table 71. PGID Register Field Descriptions

| Bit | Field | Type | Reset | Description |
|-----|-----------|------|-------|--|
| 7-0 | PATGEN_ID | R/W | 0h | Indirect Data. When writing to indirect registers, this register contains the data to be written. When reading from indirect registers, this register contains the readback value. See TI App Note AN-2198 exploring the internal test pattern generation feature of 720p FPD-Link III devices (SNLA132) . |

7.6.1.61 PGDBG Register (Address = 68h) [reset = 0h]

PGDBG is described in [Table 72](#).

Return to [Summary Table](#).

Table 72. PGDBG Register Field Descriptions

| Bit | Field | Type | Reset | Description |
|-----|----------------|------|-------|--|
| 7-4 | RESERVED | R/W | 0h | Reserved |
| 3 | PATGEN_BIST_EN | R/W | 0h | Pattern Generator BIST Enable. Enables Pattern Generator in BIST mode. Pattern Generator will compare received video data with local generated pattern. Upstream device must be programmed to the same pattern. |
| 2-0 | RESERVED | R/W | 0h | Reserved |

7.6.1.62 PGTSTDAT Register (Address = 69h) [reset = 0h]

PGTSTDAT is described in [Table 73](#).

Return to [Summary Table](#).

Table 73. PGTSTDAT Register Field Descriptions

| Bit | Field | Type | Reset | Description |
|-----|-----------------|------|-------|--|
| 7 | PATGEN_BIST_ERR | R | 0h | Pattern Generator BIST Error Flag. During Pattern Generator BIST mode, this bit indicates if the BIST engine has detected errors. If the BIST Error Count (available in the Pattern Generator indirect registers) is non-zero, this flag will be set. |
| 6-0 | RESERVED | R | 0h | Reserved |

7.6.1.63 CSICFG0 Register (Address = 6Ah) [reset = 0h]

CSICFG0 is described in [Table 74](#).

Return to [Summary Table](#).

Table 74. CSICFG0 Register Field Descriptions

| Bit | Field | Type | Reset | Description |
|-----|------------|------|-------|---|
| 7-6 | RSV | R/W | 0h | Reserved |
| 5-4 | LANE_COUNT | R/W | 0h | Setup number of data lanes for the CSI ports. 00/01: 4 data lanes 10: 2 data lanes 11: 1 data lane |
| 3 | ULPM | R/W | 0h | When set, put the data lanes in ultra-low power mode (LP00) by sending out a LP signalling sequence. |
| 2 | ULPS | R/W | 0h | When set with ULPM, put the clock lane into ultra-low power mode. No effect if ULPM is not set. |

Table 74. CSICFG0 Register Field Descriptions (continued)

| Bit | Field | Type | Reset | Description |
|-----|-----------|------|-------|--|
| 1 | CONTS_CLK | R/W | 0h | When set, keep the clock lane running (in HS mode) during line blank (DE=0) and frame blank (VS not active). |
| 0 | CSI_DIS | R/W | 0h | When set, disable the CSI state machine. This functions as a soft reset. |

7.6.1.64 CSICFG1 Register (Address = 6Bh) [reset = 0h]

CSICFG1 is described in [Table 75](#).

Return to [Summary Table](#).

Table 75. CSICFG1 Register Field Descriptions

| Bit | Field | Type | Reset | Description |
|-----|--------|------|-------|--|
| 7-4 | OFMT | R/W | 0h | Program the output CSI data formats. 0000: RGB888 0001: RGB666 0010: RGB565 0011: YUV420 Legacy 0100: YUV420 0101: YUV422_8 0110: RAW8 0111: RAW10 1000: RAW12 1001: YUV420 (CSPS) |
| 3-2 | IFMT | R/W | 0h | Program the input data format in HDMI terminology. 00: RGB444 01: YUV422 10: YUV444 11: RAW |
| 1 | INV_VS | R/W | 0h | When set, the VS received from the digital receiver will be inverted. Because the CSI logic works on active-high VS, this bit is typically set when the VS from the data source is active-low. |
| 0 | INV_DE | R/W | 0h | When set, the DE received from the digital receiver will be inverted. Because the CSI logic works on active-high DE, this bit is typically set when the DE from the data source is active-low. |

7.6.1.65 CSIIA Register (Address = 6Ch) [reset = 0h]

CSIIA is described in [Table 76](#).

Return to [Summary Table](#).

Table 76. CSIIA Register Field Descriptions

| Bit | Field | Type | Reset | Description |
|-----|--------|------|-------|--|
| 7-0 | CSI_IA | R/W | 0h | Indirect address port for accessing CSI registers. |

7.6.1.66 CSIID Register (Address = 6Dh) [reset = 0h]

CSIID is described in [Table 77](#).

Return to [Summary Table](#).

Table 77. CSIID Register Field Descriptions

| Bit | Field | Type | Reset | Description |
|-----|--------|------|-------|---|
| 7-0 | CSI_ID | R/W | 0h | Indirect data port for accessing CSI registers. |

7.6.1.67 GPIO_Pin_Status_1 Register (Address = 6Eh) [reset = 0h]

GPIO_Pin_Status_1 is described in [Table 78](#).

Return to [Summary Table](#).

Table 78. GPIO_Pin_Status_1 Register Field Descriptions

| Bit | Field | Type | Reset | Description |
|-----|------------------|------|-------|----------------------------|
| 7 | GPIO7_Pin_Status | R | 0h | GPIO7/I2S_WC pin status. |
| 6 | GPIO6_Pin_Status | R | 0h | GPIO6/I2S_DA pin status. |
| 5 | GPIO5_Pin_Status | R | 0h | GPIO5/I2S_DB pin status. |
| 4 | RESERVED | R | 0h | Reserved |
| 3 | GPIO3_Pin_Status | R | 0h | GPIO3 / I2S_DD pin status. |
| 2 | GPIO2_Pin_Status | R | 0h | GPIO2 / I2S_DC pin status. |
| 1 | GPIO1_Pin_Status | R | 0h | GPIO1 pin status. |
| 0 | GPIO0_Pin_Status | R | 0h | GPIO0 pin status. |

7.6.1.68 GPIO_Pin_Status_2 Register (Address = 6Fh) [reset = 0h]

GPIO_Pin_Status_2 is described in [Table 79](#).

Return to [Summary Table](#).

Table 79. GPIO_Pin_Status_2 Register Field Descriptions

| Bit | Field | Type | Reset | Description |
|-----|------------------|------|-------|---------------------------|
| 7-2 | RESERVED | R | 0h | Reserved |
| 1 | GPIO9_Pin_Status | R | 0h | GPIO9/MCLK pin status. |
| 0 | GPIO8_Pin_Status | R | 0h | GPIO8/I2S_CLK pin status. |

7.6.1.69 ID0 Register (Address = F0h) [reset = 5Fh]

ID0 is described in [Table 80](#).

Return to [Summary Table](#).

Table 80. ID0 Register Field Descriptions

| Bit | Field | Type | Reset | Description |
|-----|-------|------|-------|-------------------------------|
| 7-0 | ID0 | R | 5Fh | ID0: First byte ID code, '_'. |

7.6.1.70 ID1 Register (Address = F1h) [reset = 55h]

ID1 is described in [Table 81](#).

Return to [Summary Table](#).

Table 81. ID1 Register Field Descriptions

| Bit | Field | Type | Reset | Description |
|-----|-------|------|-------|--------------------------------|
| 7-0 | ID1 | R | 55h | ID1: 2nd byte of ID code, 'U'. |

7.6.1.71 ID2 Register (Address = F2h) [reset = 48h]

ID2 is described in [Table 82](#).

Return to [Summary Table](#).

Table 82. ID2 Register Field Descriptions

| Bit | Field | Type | Reset | Description |
|-----|-------|------|-------|--|
| 7-0 | ID2 | R | 48h | ID2: 3rd byte of ID code. Value will be either 'B' or 'H'. 'H' indicates an HDCP capable device. |

7.6.1.72 ID3 Register (Address = F3h) [reset = 39h]

ID3 is described in [Table 83](#).

Return to [Summary Table](#).

Table 83. ID3 Register Field Descriptions

| Bit | Field | Type | Reset | Description |
|-----|-------|------|-------|--------------------------------|
| 7-0 | ID3 | R | 39h | ID3: 4th byte of ID code: '9'. |

7.6.1.73 ID4 Register (Address = F4h) [reset = 34h]

ID4 is described in [Table 84](#).

Return to [Summary Table](#).

Table 84. ID4 Register Field Descriptions

| Bit | Field | Type | Reset | Description |
|-----|-------|------|-------|--------------------------------|
| 7-0 | ID4 | R | 34h | ID4: 5th byte of ID code: '4'. |

7.6.1.74 ID5 Register (Address = F5h) [reset = 30h]

ID5 is described in [Table 85](#).

Return to [Summary Table](#).

Table 85. ID5 Register Field Descriptions

| Bit | Field | Type | Reset | Description |
|-----|-------|------|-------|--------------------------------|
| 7-0 | ID5 | R | 30h | ID5: 6th byte of ID code: '0'. |

7.6.2 CSI-2 Indirect Registers

Table 86 summarizes the DS90UB940N-Q1 CSI-2 indirect registers. All register offset addresses not listed in Table 86 should be considered as reserved locations and the register contents should not be modified.

In the register definitions under the *TYPE* heading, the following definitions apply:

- R = Read only access
- R/W = Read / Write access

Table 86. CSI-2 Indirect Registers Summary

| Address | Acronym | Register Name | Section |
|---------|---------------|---------------|--------------------|
| 0h | CSI_TCK_PREP | | Go |
| 1h | CSI_TCK_ZERO | | Go |
| 2h | CSI_TCK_TRAIL | | Go |
| 3h | CSI_TCK_POST | | Go |
| 4h | CSI_THS_PREP | | Go |
| 5h | CSI_THS_ZERO | | Go |
| 6h | CSI_THS_TRAIL | | Go |
| 7h | CSI_THS_EXIT | | Go |
| 8h | CSI_TLPX | | Go |
| 9h | RAW_ALIGN | | Go |
| 13h | CSI_EN_PORT0 | | Go |
| 14h | CSI_EN_PORT1 | | Go |
| 16h | CSIPASS | | Go |
| 2Eh | CSI_VC_ID | | Go |

7.6.2.1 CSI_TCK_PREP Register (Address = 0h) [reset = 0h]

CSI_TCK_PREP is described in Table 87.

Return to [Summary Table](#).

Table 87. CSI_TCK_PREP Register Field Descriptions

| Bit | Field | Type | Reset | Description |
|-----|-----------------|------|-------|--|
| 7 | CSI_TCK_PREP_OV | R/W | 0h | Override CSI Tck Prep Parameter 0: Tck Prep is automatically determined. 1: Override Tck Prep parameter with a value in bits [4:0] in this register. |
| 6-5 | RESERVED | R/W | 0h | Reserved |
| 4-0 | CSI_TCK_PREP | R/W | 0h | Tck Prep Value. |

7.6.2.2 CSI_TCK_ZERO Register (Address = 1h) [reset = 0h]

CSI_TCK_ZERO is described in Table 88.

Return to [Summary Table](#).

Table 88. CSI_TCK_ZERO Register Field Descriptions

| Bit | Field | Type | Reset | Description |
|-----|-----------------|------|-------|--|
| 7 | CSI_TCK_ZERO_OV | R/W | 0h | Override CSI Tck Zero Parameter 0: Tck Zero is automatically determined. 1: Override Tck Zero parameter with a value in bits [5:0] in this register. |
| 6 | RESERVED | R/W | 0h | Reserved |
| 5-0 | CSI_TCK_ZERO | R/W | 0h | Tck Zero Value. |

7.6.2.3 CSI_TCK_TRAIL Register (Address = 2h) [reset = 0h]

CSI_TCK_TRAIL is described in [Table 89](#).

Return to [Summary Table](#).

Table 89. CSI_TCK_TRAIL Register Field Descriptions

| Bit | Field | Type | Reset | Description |
|-----|------------------|------|-------|---|
| 7 | CSI_TCK_TRAIL_OV | R/W | 0h | Override CSI Tck Trail Parameter 0: Tck Trail is automatically determined. 1: Override Tck Trail parameter with a value in bits [3:0] in this register. |
| 6-4 | RESERVED | R/W | 0h | Reserved |
| 3-0 | CSI_TCK_TRAIL | R/W | 0h | Tck Trail Value. |

7.6.2.4 CSI_TCK_POST Register (Address = 3h) [reset = 0h]

CSI_TCK_POST is described in [Table 90](#).

Return to [Summary Table](#).

Table 90. CSI_TCK_POST Register Field Descriptions

| Bit | Field | Type | Reset | Description |
|-----|-----------------|------|-------|--|
| 7 | CSI_TCK_POST_OV | R/W | 0h | Override CSI Tck Post Parameter 0: Tck Post is automatically determined. 1: Override Tck Post parameter with a value in bits [5:0] in this register. |
| 6 | RESERVED | R/W | 0h | Reserved |
| 5-0 | CSI_TCK_POST | R/W | 0h | Tck Post Value. |

7.6.2.5 CSI_THS_PREP Register (Address = 4h) [reset = 0h]

CSI_THS_PREP is described in [Table 91](#).

Return to [Summary Table](#).

Table 91. CSI_THS_PREP Register Field Descriptions

| Bit | Field | Type | Reset | Description |
|-----|-----------------|------|-------|--|
| 7 | CSI_THS_PREP_OV | R/W | 0h | Override CSI Ths Prep Parameter 0: Ths Prep is automatically determined. 1: Override Ths Prep parameter with a value in bits [4:0] in this register. |
| 6-5 | RESERVED | R/W | 0h | Reserved |
| 4-0 | CSI_THS_PREP | R/W | 0h | Ths Prep Value. |

7.6.2.6 CSI_THS_ZERO Register (Address = 5h) [reset = 0h]

CSI_THS_ZERO is described in [Table 92](#).

Return to [Summary Table](#).

Table 92. CSI_THS_ZERO Register Field Descriptions

| Bit | Field | Type | Reset | Description |
|-----|-----------------|------|-------|--|
| 7 | CSI_THS_ZERO_OV | R/W | 0h | Override CSI Ths Zero Parameter 0: Ths Zero is automatically determined. 1: Override Ths Zero parameter with a value in bits [4:0] in this register. |
| 6-5 | RESERVED | R/W | 0h | Reserved |
| 4-0 | CSI_THS_ZERO | R/W | 0h | Ths Zero Value. |

7.6.2.7 CSI_THS_TRAIL Register (Address = 6h) [reset = 0h]

CSI_THS_TRAIL is described in [Table 93](#).

Return to [Summary Table](#).

Table 93. CSI_THS_TRAIL Register Field Descriptions

| Bit | Field | Type | Reset | Description |
|-----|------------------|------|-------|---|
| 7 | CSI_THS_TRAIL_OV | R/W | 0h | Override CSI Ths Trail Parameter 0: Ths Trail is automatically determined. 1: Override Ths Trail parameter with a value in bits [3:0] in this register. |
| 6-4 | RESERVED | R/W | 0h | Reserved |
| 3-0 | CSI_THS_TRAIL | R/W | 0h | Ths Trail. |

7.6.2.8 CSI_THS_EXIT Register (Address = 7h) [reset = 0h]

CSI_THS_EXIT is described in [Table 94](#).

Return to [Summary Table](#).

Table 94. CSI_THS_EXIT Register Field Descriptions

| Bit | Field | Type | Reset | Description |
|-----|-----------------|------|-------|--|
| 7 | CSI_THS_EXIT_OV | R/W | 0h | Override CSI Ths Exit Parameter 0: Ths Exit is automatically determined. 1: Override Ths Exit parameter with a value in bits [4:0] in this register. |
| 6-5 | RESERVED | R/W | 0h | Reserved |
| 4-0 | CSI_THS_EXIT | R/W | 0h | Ths Exit. |

7.6.2.9 CSI_TLPX Register (Address = 8h) [reset = 0h]

CSI_TLPX is described in [Table 95](#).

Return to [Summary Table](#).

Table 95. CSI_TLPX Register Field Descriptions

| Bit | Field | Type | Reset | Description |
|-----|-------------|------|-------|--|
| 7 | CSI_TLPX_OV | R/W | 0h | Override CSI Tlpx Parameter 0: Tlpx is automatically determined. 1: Override Tlpx parameter with a value in bits [3:0] in this register. |
| 6-4 | RESERVED | R/W | 0h | Reserved |
| 3-0 | CSI_TLPX | R/W | 0h | Tlpx. |

7.6.2.10 RAW_ALIGN Register (Address = 9h) [reset = 0h]

RAW_ALIGN is described in [Table 96](#).

Return to [Summary Table](#).

Table 96. RAW_ALIGN Register Field Descriptions

| Bit | Field | Type | Reset | Description |
|-----|-----------|------|-------|--|
| 7 | RESERVED | R/W | 0h | Reserved |
| 6 | RESERVED | R/W | 0h | Reserved |
| 5 | RESERVED | R/W | 0h | Reserved |
| 4 | RAW_ALIGN | R/W | 0h | Raw Align. 0: RAW Output onto LSB's of RGB Bus 1: RAW Output onto MSB's of RGB Bus |
| 3-0 | RESERVED | R/W | 0h | Reserved |

7.6.2.11 CSI_EN_PORT0 Register (Address = 13h) [reset = 3Fh]

 CSI_EN_PORT0 is described in [Table 97](#).

 Return to [Summary Table](#).

Table 97. CSI_EN_PORT0 Register Field Descriptions

| Bit | Field | Type | Reset | Description |
|-----|------------|------|-------|---|
| 7 | RCTL_PORT0 | R/W | 0h | Register Control 0 = Disable 1 = Enable |
| 6 | RESERVED | R/W | 0h | Reserved |
| 5-0 | EN_PORT0 | R/W | 3Fh | 0x00 = Disable CSI Port 0 0x3F = Enable CSI Port 0 |

7.6.2.12 CSI_EN_PORT1 Register (Address = 14h) [reset = 0h]

 CSI_EN_PORT1 is described in [Table 98](#).

 Return to [Summary Table](#).

Table 98. CSI_EN_PORT1 Register Field Descriptions

| Bit | Field | Type | Reset | Description |
|-----|------------|------|-------|---|
| 7 | RCTL_PORT1 | R/W | 0h | Register Control 0 = Disable 1 = Enable |
| 6 | RESERVED | R/W | 0h | Reserved |
| 5-0 | EN_PORT1 | R/W | 0h | 0x00 = Disable CSI Port 1 0x3F = Enable CSI Port 1 |

7.6.2.13 CSIPASS Register (Address = 16h) [reset = 2h]

 CSIPASS is described in [Table 99](#).

 Return to [Summary Table](#).

Table 99. CSIPASS Register Field Descriptions

| Bit | Field | Type | Reset | Description |
|-----|----------------|------|-------|---|
| 7-3 | RESERVED | R/W | 0h | Reserved |
| 2 | CSI_PASS_toGP3 | R/W | 0h | CSI_PASS to GPIO3. Configures GPIO3 to output the PASS signal when this bit is set HIGH. |
| 1 | CSI_PASS_toGP0 | R/W | 1h | CSI_PASS to GPIO0. Configures GPIO0 to output the PASS signal when this bit is set HIGH. This is the default. |
| 0 | CSI_PASS | R/W | 0h | CSI_PASS. This bit reflects the status of the PASS signal. |

7.6.2.14 CSI_VC_ID Register (Address = 2Eh) [reset = 0h]

 CSI_VC_ID is described in [Table 100](#).

 Return to [Summary Table](#).

Table 100. CSI_VC_ID Register Field Descriptions

| Bit | Field | Type | Reset | Description |
|-----|-----------|------|-------|---|
| 7-6 | CSI_VC_ID | R/W | 0h | CSI Virtual Channel Identifier. 00: CSI-2 outputs with ID as virtual channel 0. 01: CSI-2 outputs with ID as virtual channel 1. 10: CSI-2 outputs with ID as virtual channel 2. 11: CSI-2 outputs with ID as virtual channel 3. |
| 5-0 | RESERVED | R/W | 0h | Reserved. |

8 Application and Implementation

NOTE

Information in the following applications sections is not part of the TI component specification, and TI does not warrant its accuracy or completeness. TI's customers are responsible for determining suitability of components for their purposes. Customers should validate and test their design implementation to confirm system functionality.

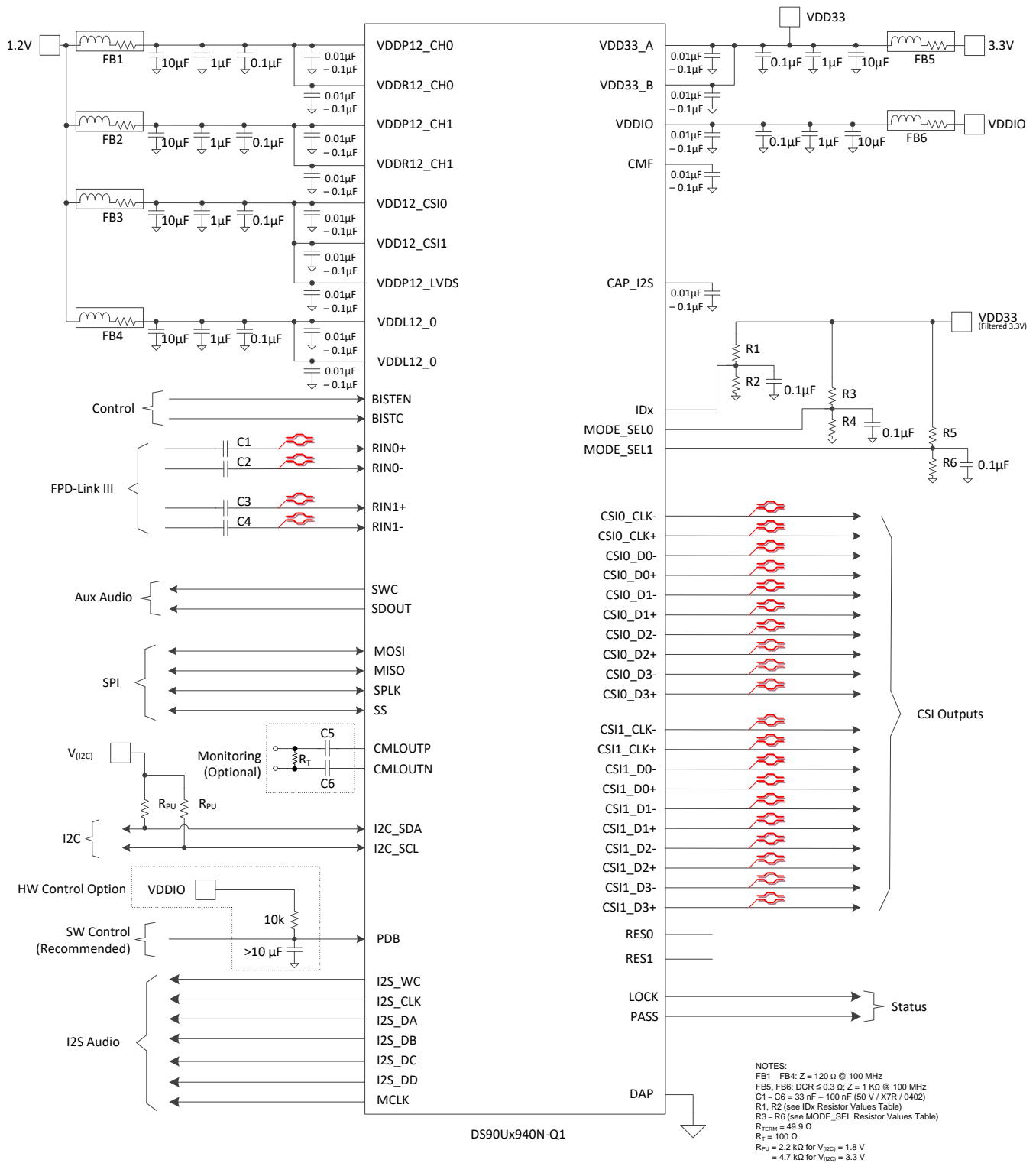
8.1 Application Information

The DS90UB940N-Q1 is a FPD-Link III deserializer which, in conjunction with the DS90UB949/947-Q1 serializers, converts 1-lane or 2-lane FPD-Link III streams into a MIPI CSI-2 interface. The deserializer can operate over cost-effective, 50- Ω single-ended coaxial or 100- Ω differential shielded twisted-pair (STP) cables. The deserializer recovers the data from two FPD-Link III serial streams and translates the data into a camera serial interface (CSI-2) format that is compatible with MIPI DPHY/CSI-2-supporting video resolutions up to WUXGA and 1080p60 with 24-bit color depth.

8.2 Typical Applications

Bypass capacitors must be placed near the power supply pins. At a minimum, use four 10- μ F capacitors for local device bypassing. Ferrite beads are placed on the two sets of supply pins (VDD33 and VDDIO) for effective noise suppression. The interface to the graphics source is LVDS. The VDDIO pins may be connected to a 3.3 V or 1.8 V supply. A capacitor and resistor are placed on the PDB pin to delay the enabling of the device until power is stable. See [Figure 38](#) for a typical STP connection diagram and [Figure 39](#) for a typical coax connection diagram.

Typical Applications (continued)



Copyright © 2018, Texas Instruments Incorporated

Figure 38. Typical Connection Diagram (STP)

Typical Applications (continued)

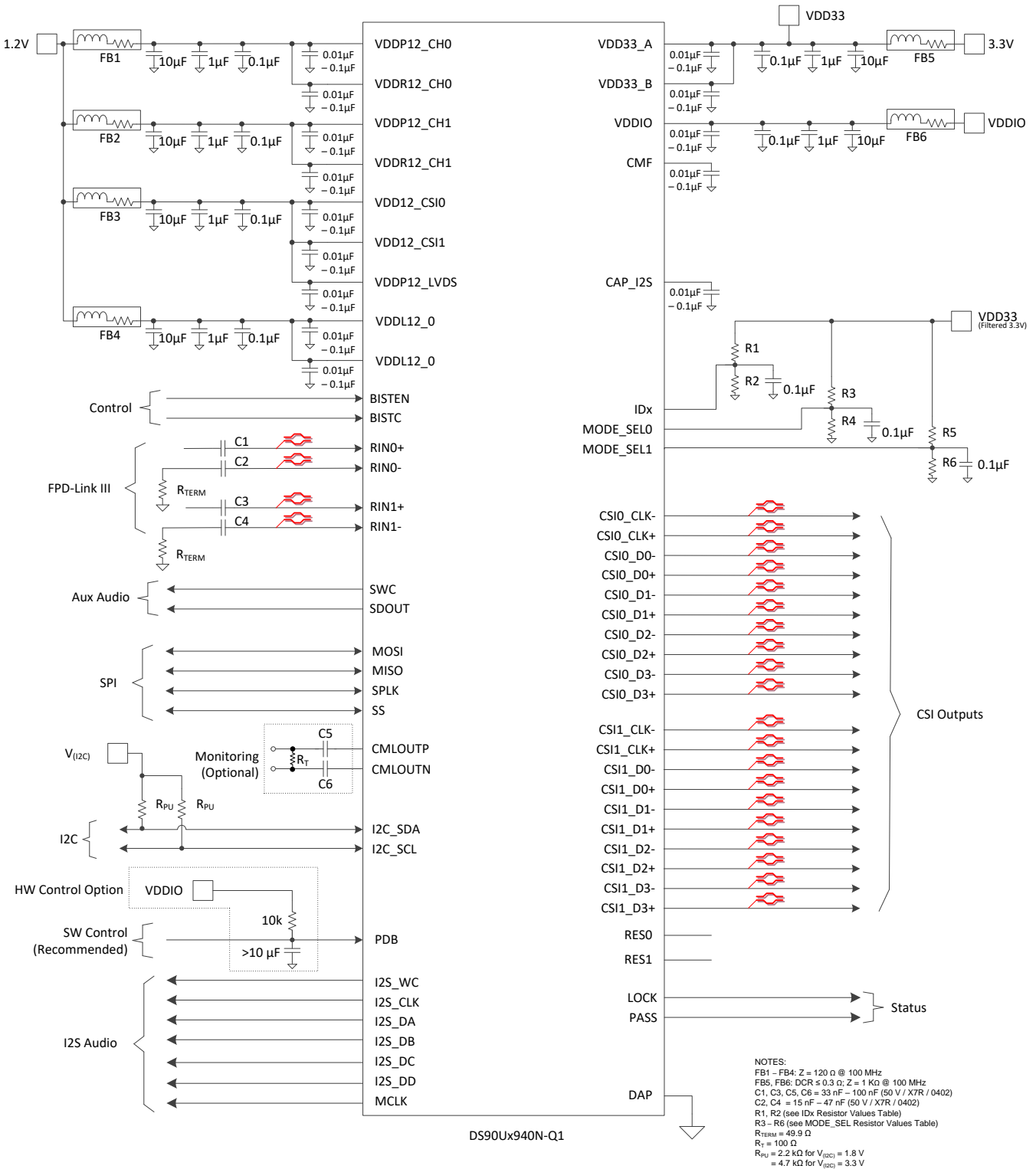
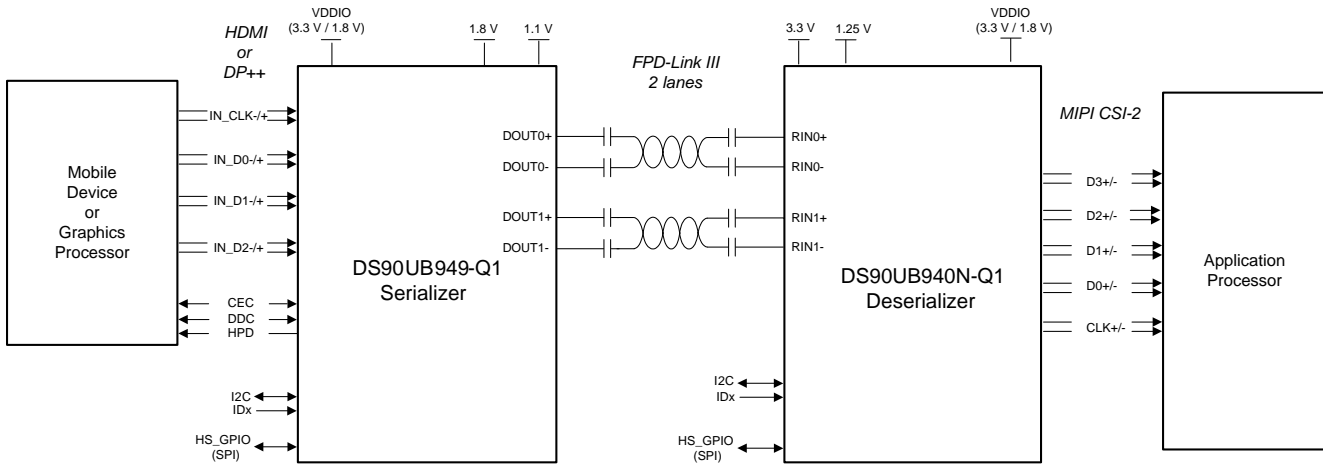


Figure 39. Typical Connection Diagram (Coax)



Copyright © 2017, Texas Instruments Incorporated

Figure 40. Typical Display System Diagram

8.2.1 Design Requirements

For the typical design application, use the following as input parameters.

Table 101. Design Parameters

| DESIGN PARAMETER | EXAMPLE VALUE |
|--|----------------|
| VDD33 | 3.3 V |
| VDDIO | 1.8 or 3.3 V |
| VDD12 | 1.2 V |
| AC-coupling capacitor for STP with 925/927: RIN[1:0]± | 100 nF |
| AC-coupling capacitor for STP with 929/947/949: RIN[1:0]± | 33 nF - 100 nF |
| AC-coupling capacitor for Coax with 921: RIN[1:0]+ | 100 nF |
| AC-coupling capacitor for Coax with 921: RIN[1:0]- | 47 nF |
| AC-coupling capacitor for Coax with 929/947/949: RIN[1:0]+ | 33 nF - 100 nF |
| AC-coupling capacitor for Coax with 929/947/949: RIN[1:0]+ | 15 nF - 47 nF |

The SER/DES supports only AC-coupled interconnects through an integrated DC-balanced decoding scheme. External AC-coupling capacitors must be placed in series in the FPD-Link III signal path as shown in Figure 41. For applications using a single-ended, 50-Ω coaxial cable, the unused data pins (RIN0- and RIN1-) must use a 15-nF to 47-nF capacitor and must be terminated with a 50-Ω resistor.

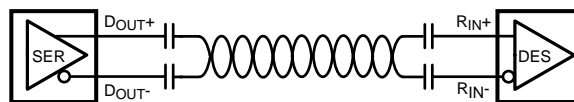


Figure 41. AC-Coupled Connection (STP)

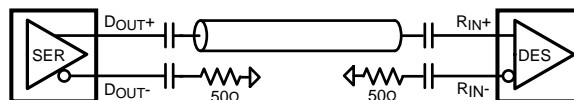


Figure 42. AC-Coupled Connection (Coaxial)

For high-speed FPD-Link III transmissions, use the smallest available package for the AC-coupling capacitor. This minimizes degradation of signal quality due to package parasitics.

8.2.2 Detailed Design Procedure

8.2.2.1 FPD-Link III Interconnect Guidelines

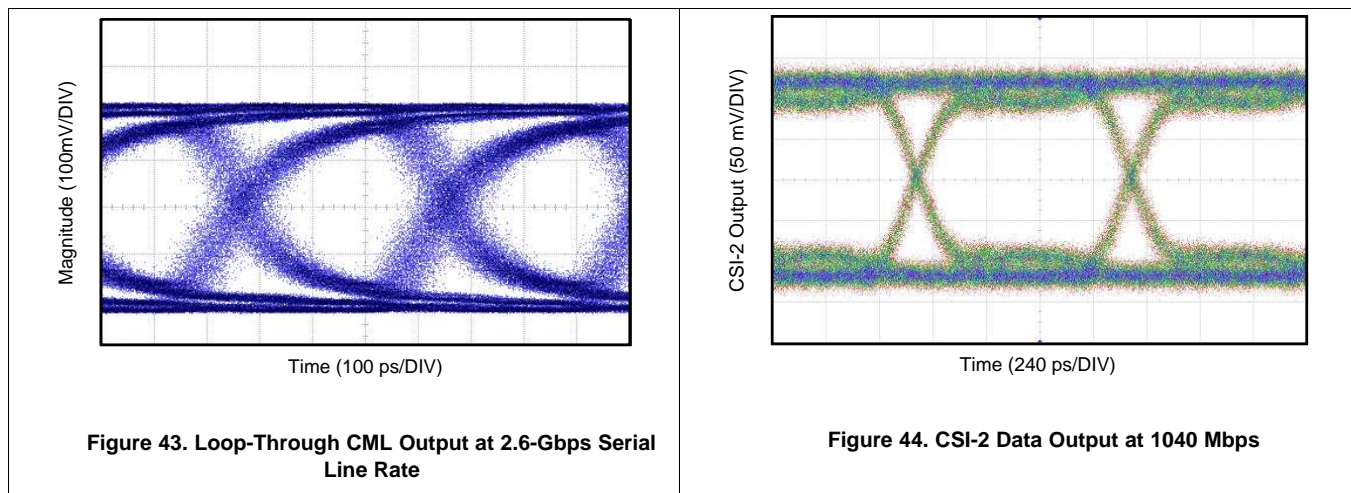
See [AN-1108 Channel-link PCB and interconnect design-in guidelines](#) (SNLA008) and [AN-905 Transmission line RAPIDESIGNER operation and application guide](#) (SNLA035) for full details.

- Use 100-Ω coupled differential pairs
- Use the S/2S/3S rule in spacings
 - S = space between the pair
 - 2S = space between pairs
 - 3S = space to LVCMOS signal
- Minimize the number of Vias
- Maintain balance of the traces
- Minimize skew within the pair
- Terminate as close to the TX outputs and RX inputs as possible

Additional general guidance can be found in the [LVDS owner's manual](#) (SNLA187) available in PDF format from the Texas Instruments web site.

8.2.3 Application Curves

The plots below correspond to 1080p60 video application with a 2-lane FPD-Link III input and MIPI 4-lane output.



9 Power Supply Recommendations

This device provides separate power and ground pins for different portions of the circuit. This is done to isolate switching noise effects between different sections of the circuit. Separate planes on the PCB are typically not required. The [Pin Configuration and Functions](#) section provides guidance on which circuit blocks are connected to which power pin pairs. In some cases, an external filter may be used to provide clean power to sensitive circuits such as PLLs.

9.1 Power-Up Requirements and PDB Pin

When power is applied, power from the highest voltage rail to the lowest voltage rail on any of the supply pins. For 3.3-V IO operation, VDDIO and VDD33 can be powered by the same supply and ramped simultaneously. Use a large capacitor on the PDB pin to ensure PDB arrives after all the supply pins have settled to the recommended operating voltage. When PDB pin is pulled up to VDD33, a 10-k Ω pullup and a > 10- μ F capacitor to GND are required to delay the PDB input signal rise. All inputs must not be driven until both VDD33 and VDDIO has reached steady state. Pins VDD33_A and VDD33_B must both be externally connected, bypassed, and driven to the same potential (they are not internally connected).

9.2 Power Sequence

The power-up sequence for the DS90UB940N-Q1 is as follows:

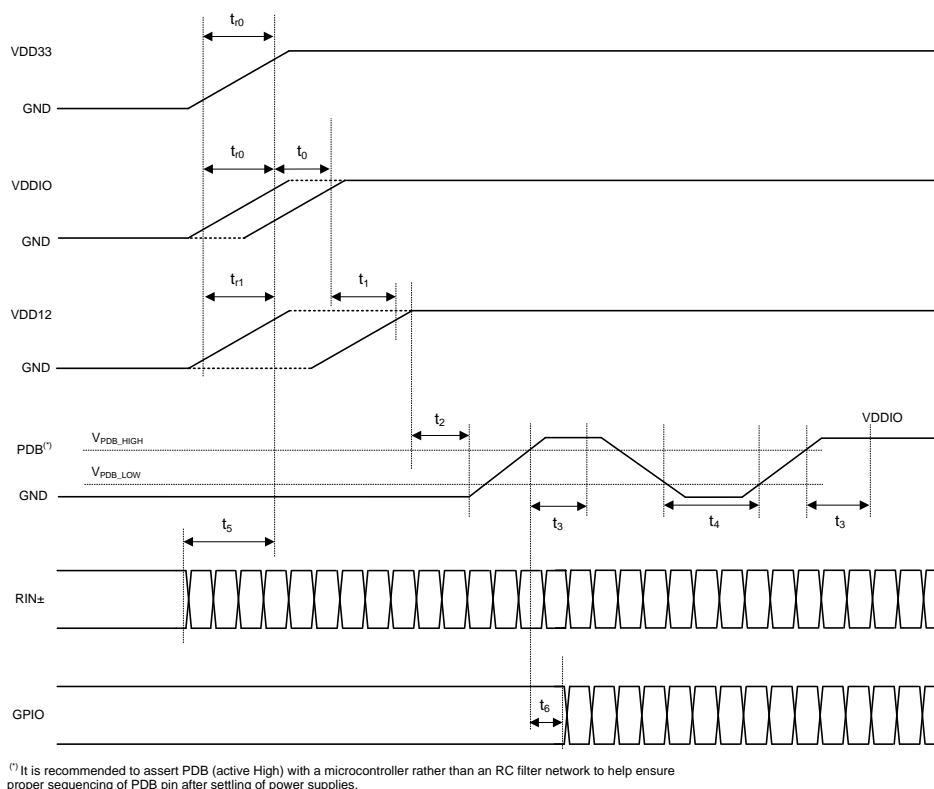


Figure 45. Power-Up Sequencing

Power Sequence (continued)
Table 102. Power-Up Sequence Timing Parameters

| | PARAMETER | MIN | TYP | MAX | UNIT | NOTES |
|----------|----------------------------------|------|-----|-----|------|---|
| t_{r0} | VDD33 / VDDIO rise time | 0.2 | | | ms | @10/90% |
| t_{r1} | VDD12 rise time | 0.05 | | | ms | @10/90% |
| t_0 | VDD33 to VDDIO delay | 0 | | | ms | |
| t_1 | VDD33 / VDDIO to VDD12 delay | 0 | | | ms | |
| t_2 | VDDx to PDB delay | 0 | | | ms | Release PDB after all supplies are up and stable. |
| t_3 | PDB to I2C ready delay | 2 | | | ms | |
| t_4 | PDB pulse width | 2 | | | ms | Hard reset |
| t_5 | Valid data on RIN± to VDDx delay | 0 | | | ms | Provide valid data from a compatible Serializer before power-up or apply reset as described in ⁽¹⁾ . |
| t_6 | PDB to GPIO delay | 2 | | | ms | Keep GPIOs low or high until PDB is high. |

- (1) DS90UB940N-Q1 should be powered up after a compatible Serializer has started sending valid video data. If this condition is not satisfied, then a digital (software) reset or hard reset (toggling PDB pin) is required after receiving the input data. This requirement prevents the DS90UB940N-Q1 from locking to any random or noise signal, ensures DS90UB940N-Q1 has a deterministic startup behavior, specified lock time, and optimal adaptive equalizer setting.

10 Layout

10.1 Layout Guidelines

Circuit board layout and stack-up for the FPD-Link III devices must be designed to provide low-noise power feed to the device. Good layout practice also separates high frequency or high-level inputs and outputs to minimize unwanted stray noise pick-up, feedback, and interference. Power system performance may be greatly improved by using thin dielectrics (2 to 4 mils) for power/ground sandwiches. This arrangement provides plane capacitance for the PCB power system with low-inductance parasitics, which has proven especially effective at high frequencies, and makes the value and placement of external bypass capacitors less critical. External bypass capacitors should include both RF ceramic and tantalum electrolytic types. RF capacitors may use values in the range of 0.01 μF to 0.1 μF . Ceramic capacitors may be in the 2.2 μF to 10 μF range. The voltage rating of the ceramic capacitors must be at least 5 \times higher than the power supply voltage being used.

TI recommends surface-mount capacitors due to their smaller parasitics. When using multiple capacitors per supply pin, place the smaller value closer to the pin. A large bulk capacitor is recommended at the point of power entry. This is typically in the 50 μF to 100 μF range, which smooths low frequency switching noise. TI recommends that the user connect the power and ground pins directly to the power and ground planes, and place a via on both ends of the bypass capacitors connected to the plane. Connecting the power or ground pins to an external bypass capacitor can increase the inductance of the path.

A small body size X7R chip capacitor, such as 0603 or 0402, is recommended for external bypass. The small body size reduces the parasitic inductance of the capacitor. The user must pay attention to the resonance frequency of these external bypass capacitors, usually in the range of 20 to 30 MHz. To provide effective bypassing, multiple capacitors are often used to achieve low impedance between the supply rails over the frequency of interest. At high frequency, it is also common practice to use two vias from the power and ground pins to the planes to reduce the impedance at high frequency.

Place the LVCMOS signals away from the differential lines to prevent coupling between the LVCMOS and differential lines. A differential impedance of 100 Ω is typically recommended for STP interconnect, and a single-ended impedance of 50 Ω is recommended for coaxial interconnects. The closely coupled lines help to ensure that coupled noise appears as common-mode, and thus is rejected by the receivers. The tightly coupled lines also radiate less.

Information on the WQFN package is provided in [AN-1187 Leadless leadframe package \(LLP\)](#) (SNOA401).

10.2 Ground

TI recommends that a consistent ground plane reference for the high-speed signals in the PCB design to provide the best image plane for signal traces running parallel to the plane. Connect the thermal pad of the device to this plane with vias.

At least 32 thermal vias are necessary from the device center DAP to the ground plane. They connect the device ground to the PCB ground plane, as well as conduct heat from the exposed pad of the package to the PCB ground plane. More information on the WQFN style package, including PCB design and manufacturing requirements, is provided in [AN-1187 Leadless leadframe package \(LLP\)](#) (SNOA401).

10.3 Routing FPD-Link III Signal Traces

Routing the FPD-Link III signal traces between the R_{IN} pins and the connector is the most critical piece of a successful PCB layout. [Figure 47](#) shows an example PCB layout. For additional PCB layout details, refer to the [DS90Ux940-Q1EVM user's guide](#) (SNLU162).

The following list provides essential recommendations for routing the FPD-Link III signal traces between the receiver input pins (R_{IN}) and the connector.

- The routing of the FPD-Link III traces can all be on the top layer, or partially embedded in middle layers if EMI is a concern.
- The AC-coupling capacitors should be on the top layer and very close to the receiver input pins.
- Route the R_{IN} traces between the AC-coupling capacitor and the connector as a 100- Ω , differential microstrip with tight impedance control ($\pm 10\%$). Calculate the proper width of the traces for a 100- Ω differential impedance based on the PCB stack-up.
- When choosing to implement a common-mode choke for common-mode noise reduction, minimize the effects of any impedance mismatch.
- Consult with connector manufacturer for optimized connector footprint. If the connector is mounted on the same side as the IC, minimize the impact of the through-hole connector stubs by routing the high-speed signal traces on the opposite side of the connector mounting side.

10.4 CSI-2 Guidelines

1. Route CSI_D*P/N pairs with controlled 100- Ω , differential impedance ($\pm 20\%$) or 50- Ω , single-ended impedance ($\pm 15\%$).
2. Keep away from other high-speed signals.
3. Keep intra-pair length mismatch to < 5 mils.
4. Keep inter-pair length mismatch to < 50 mils within a single CSI-2 TX port. CSI-2 TX Port 0 differential traces do not need to match CSI-2 Port 1 differential traces.
5. Have length matching near the location of mismatch.
6. Separate each pair by at least by 3 times the signal trace width.
7. Keep the use of bends in differential traces to a minimum. When bends are used, the number of left and right bends must be as equal as possible, and the angle of the bend should be ≥ 135 degrees. This arrangement minimizes any length mismatch caused by the bends, and therefore minimizes the impact that bends have on EMI.
8. Route all differential pairs on the same layer.
9. Keep the number of VIAS to a minimum — TI recommends keeping the VIA count to 2 or fewer.
10. Keep traces on layers adjacent to ground plane.
11. Do NOT route differential pairs over any plane split.
12. Place all test points in series and symmetrically, if used. Test points must not be placed in a manner that causes a stub on the differential pair. Remember the adding test points can cause impedance discontinuity, and therefore can negatively impact signal performance.

10.5 Layout Example

Stencil parameters such as aperture area ratio and the fabrication process have a significant impact on paste deposition. Inspection of the stencil prior to the WQFN package placement is highly recommended to improve board assembly yields. If the via and aperture openings are not carefully monitored, the solder may flow unevenly through the DAP. Stencil parameters for aperture opening and via locations are shown in [Figure 46](#):

Table 103. No Pullback WQFN Stencil Aperture Summary

| DEVICE | PIN COUNT | MKT DWG | PCB I/O Pad SIZE (mm) | PCB PITCH (mm) | PCB DAP SIZE(mm) | STENCIL I/O APERTURE (mm) | STENCIL DAP APERTURE (mm) | NUMBER OF DAP APERTURE OPENINGS | GAP BETWEEN DAP APERTURE (Dim A mm) |
|---------------|-----------|---------|-----------------------|----------------|------------------|---------------------------|---------------------------|---------------------------------|-------------------------------------|
| DS90UB940N-Q1 | 64 | NKD | 0.25 x 0.6 | 0.5 | 7.2 x 7.2 | 0.25 x 0.6 | 1.16 x 1.16 | 25 | 0.2 |

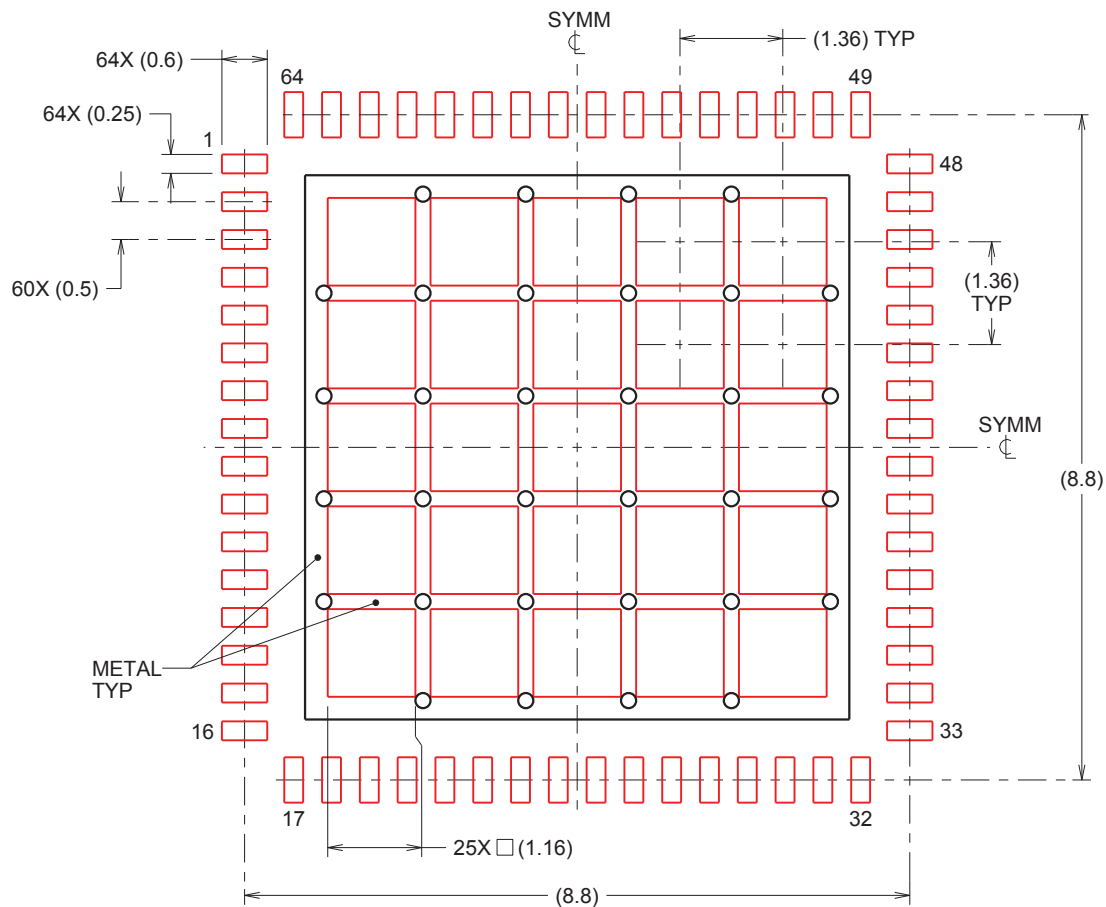


Figure 46. 64-Pin WQFN Stencil Example of Via and Opening Placement (Dimensions in mm)

Figure 47 (PCB layout example) is derived from a layout design of the DS90UB940N-Q1. This graphic and additional layout description are used to demonstrate both proper routing and proper solder techniques when designing in the deserializer.

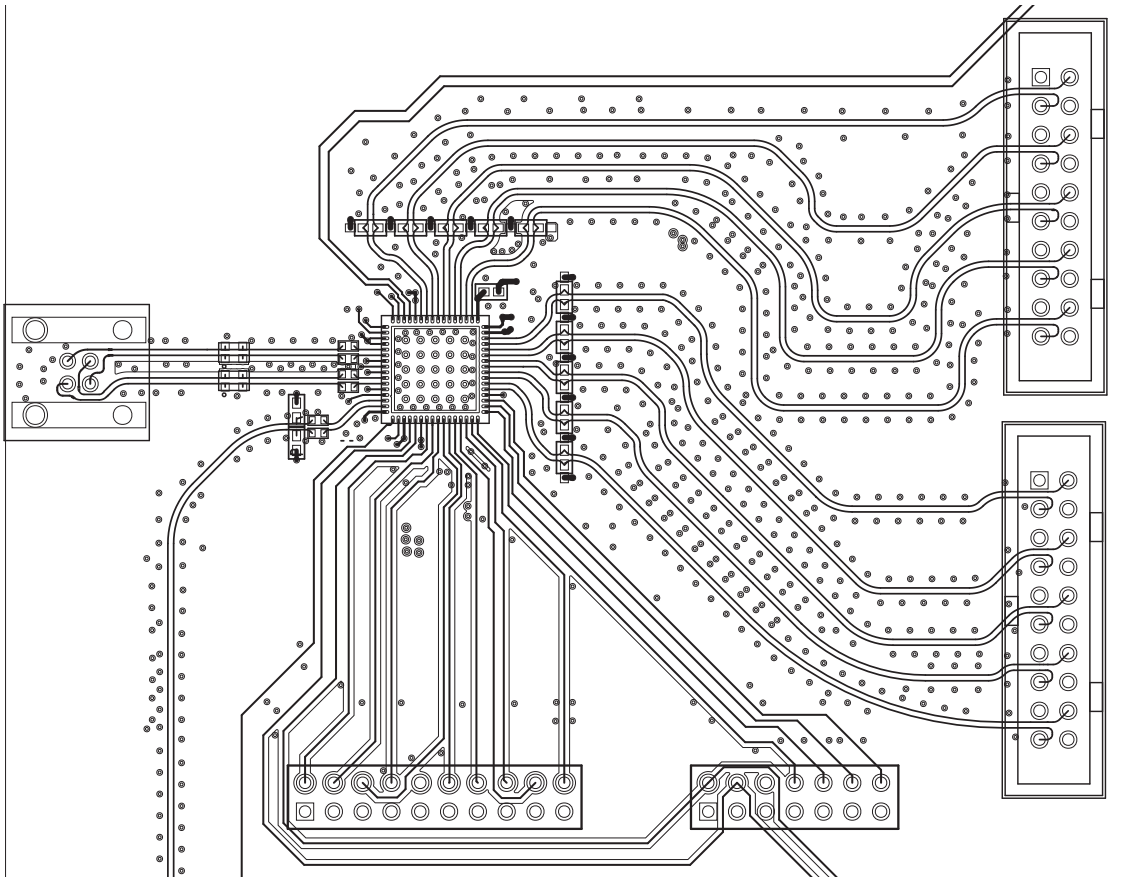


Figure 47. DS90UB940N-Q1 Deserializer Example Layout

11 Device and Documentation Support

11.1 Documentation Support

11.1.1 Related Documentation

For related documentation see the following:

- [Soldering specifications application report](#) (SNOA549)
- [Semiconductor and IC package thermal metrics application report](#) (SPRA953)
- [AN-1108 Channel-link PCB and Interconnect design-in guidelines](#) (SNLA008)
- [AN-905 Transmission line RAPIDESIGNER operation and application guide](#) (SNLA035)
- [AN-1187 Leadless leadframe package \(LLP\)](#) (SNOA401)
- [LVDS owner's manual](#) (SNLA187)
- [AN-2173 I2C communication over FPD-Link III with bidirectional control channel](#) (SNLA131)
- [Using the I2S audio interface of DS90Ux92x FPD-Link III devices](#) (SNLA221)
- [AN-2198 Exploring the internal test pattern generation feature of 720p FPD-Link III devices](#) (SNLA132)
- [I2C bus pullup resistor calculation](#) (SLVA689)
- [FPD-Link learning center](#)
- [An EMC/EMI system-design and testing methodology for FPD-Link III SerDes](#) (SLYT719)
- [Ten tips for successfully designing with automotive EMC/EMI requirements](#) (SLYT636)
- [Configuring DS90UH940N-Q1 MIPI® D-PHY timing parameters](#) (SNLA303)

11.2 Receiving Notification of Documentation Updates

To receive notification of documentation updates, navigate to the device product folder on ti.com. In the upper right corner, click on *Alert me* to register and receive a weekly digest of any product information that has changed. For change details, review the revision history included in any revised document.

11.3 Community Resources

The following links connect to TI community resources. Linked contents are provided "AS IS" by the respective contributors. They do not constitute TI specifications and do not necessarily reflect TI's views; see TI's [Terms of Use](#).

TI E2E™ Online Community *TI's Engineer-to-Engineer (E2E) Community*. Created to foster collaboration among engineers. At e2e.ti.com, you can ask questions, share knowledge, explore ideas and help solve problems with fellow engineers.

Design Support *TI's Design Support* Quickly find helpful E2E forums along with design support tools and contact information for technical support.

11.4 Trademarks

E2E is a trademark of Texas Instruments.

MIPI is a registered trademark of Mobil Industry Processor Interface Alliance.

All other trademarks are the property of their respective owners.

11.5 Electrostatic Discharge Caution



These devices have limited built-in ESD protection. The leads should be shorted together or the device placed in conductive foam during storage or handling to prevent electrostatic damage to the MOS gates.

11.6 Glossary

SLYZ022 — *TI Glossary*.

This glossary lists and explains terms, acronyms, and definitions.

12 Mechanical, Packaging, and Orderable Information

The following pages include mechanical, packaging, and orderable information. This information is the most current data available for the designated devices. This data is subject to change without notice and revision of this document. For browser-based versions of this data sheet, refer to the left-hand navigation.

PACKAGING INFORMATION

| Orderable Device | Status (1) | Package Type | Package Drawing | Pins | Package Qty | Eco Plan (2) | Lead finish/ Ball material (6) | MSL Peak Temp (3) | Op Temp (°C) | Device Marking (4/5) | Samples |
|-------------------|---------------|--------------|--------------------|------|----------------|-----------------|--------------------------------------|----------------------|--------------|-------------------------|-------------------------|
| DS90UB940NTNKDRQ1 | ACTIVE | WQFN | NKD | 64 | 2000 | RoHS & Green | SN | Level-3-260C-168 HR | -40 to 105 | 90UB940NQ | Samples |
| DS90UB940NTNKDTQ1 | ACTIVE | WQFN | NKD | 64 | 250 | RoHS & Green | SN | Level-3-260C-168 HR | -40 to 105 | 90UB940NQ | Samples |

(1) The marketing status values are defined as follows:

ACTIVE: Product device recommended for new designs.

LIFEBUY: TI has announced that the device will be discontinued, and a lifetime-buy period is in effect.

NRND: Not recommended for new designs. Device is in production to support existing customers, but TI does not recommend using this part in a new design.

PREVIEW: Device has been announced but is not in production. Samples may or may not be available.

OBSOLETE: TI has discontinued the production of the device.

(2) **RoHS:** TI defines "RoHS" to mean semiconductor products that are compliant with the current EU RoHS requirements for all 10 RoHS substances, including the requirement that RoHS substance do not exceed 0.1% by weight in homogeneous materials. Where designed to be soldered at high temperatures, "RoHS" products are suitable for use in specified lead-free processes. TI may reference these types of products as "Pb-Free".

RoHS Exempt: TI defines "RoHS Exempt" to mean products that contain lead but are compliant with EU RoHS pursuant to a specific EU RoHS exemption.

Green: TI defines "Green" to mean the content of Chlorine (Cl) and Bromine (Br) based flame retardants meet JS709B low halogen requirements of <=1000ppm threshold. Antimony trioxide based flame retardants must also meet the <=1000ppm threshold requirement.

(3) MSL, Peak Temp. - The Moisture Sensitivity Level rating according to the JEDEC industry standard classifications, and peak solder temperature.

(4) There may be additional marking, which relates to the logo, the lot trace code information, or the environmental category on the device.

(5) Multiple Device Markings will be inside parentheses. Only one Device Marking contained in parentheses and separated by a "~" will appear on a device. If a line is indented then it is a continuation of the previous line and the two combined represent the entire Device Marking for that device.

(6) Lead finish/Ball material - Orderable Devices may have multiple material finish options. Finish options are separated by a vertical ruled line. Lead finish/Ball material values may wrap to two lines if the finish value exceeds the maximum column width.

Important Information and Disclaimer:The information provided on this page represents TI's knowledge and belief as of the date that it is provided. TI bases its knowledge and belief on information provided by third parties, and makes no representation or warranty as to the accuracy of such information. Efforts are underway to better integrate information from third parties. TI has taken and continues to take reasonable steps to provide representative and accurate information but may not have conducted destructive testing or chemical analysis on incoming materials and chemicals. TI and TI suppliers consider certain information to be proprietary, and thus CAS numbers and other limited information may not be available for release.

In no event shall TI's liability arising out of such information exceed the total purchase price of the TI part(s) at issue in this document sold by TI to Customer on an annual basis.

TAPE AND REEL INFORMATION

QUADRANT ASSIGNMENTS FOR PIN 1 ORIENTATION IN TAPE


*All dimensions are nominal

| Device | Package Type | Package Drawing | Pins | SPQ | Reel Diameter (mm) | Reel Width W1 (mm) | A0 (mm) | B0 (mm) | K0 (mm) | P1 (mm) | W (mm) | Pin1 Quadrant |
|-------------------|--------------|-----------------|------|------|--------------------|--------------------|---------|---------|---------|---------|--------|---------------|
| DS90UB940NTNKDRQ1 | WQFN | NKD | 64 | 2000 | 330.0 | 16.4 | 9.3 | 9.3 | 1.3 | 12.0 | 16.0 | Q2 |
| DS90UB940NTNKDTQ1 | WQFN | NKD | 64 | 250 | 178.0 | 16.4 | 9.3 | 9.3 | 1.3 | 12.0 | 16.0 | Q2 |

TAPE AND REEL BOX DIMENSIONS


*All dimensions are nominal

| Device | Package Type | Package Drawing | Pins | SPQ | Length (mm) | Width (mm) | Height (mm) |
|-------------------|--------------|-----------------|------|------|-------------|------------|-------------|
| DS90UB940NTNKDRQ1 | WQFN | NKD | 64 | 2000 | 356.0 | 356.0 | 36.0 |
| DS90UB940NTNKDTQ1 | WQFN | NKD | 64 | 250 | 208.0 | 191.0 | 35.0 |

GENERIC PACKAGE VIEW

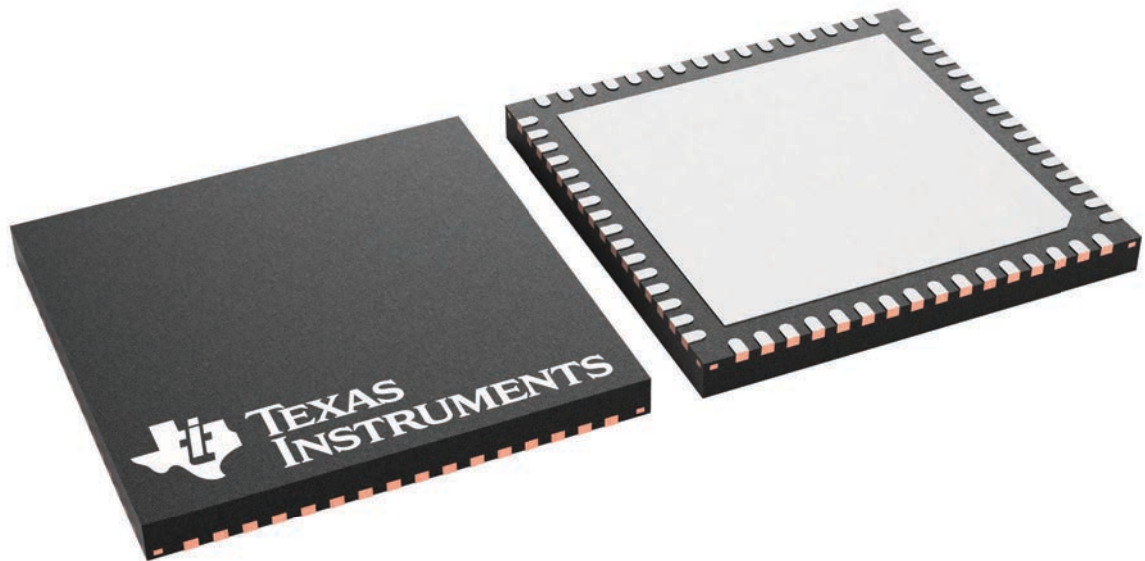
NKD 64

WQFN - 0.8 mm max height

9 x 9, 0.5 mm pitch

PLASTIC QUAD FLATPACK - NO LEAD

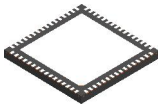
This image is a representation of the package family, actual package may vary.
Refer to the product data sheet for package details.



4229637/A

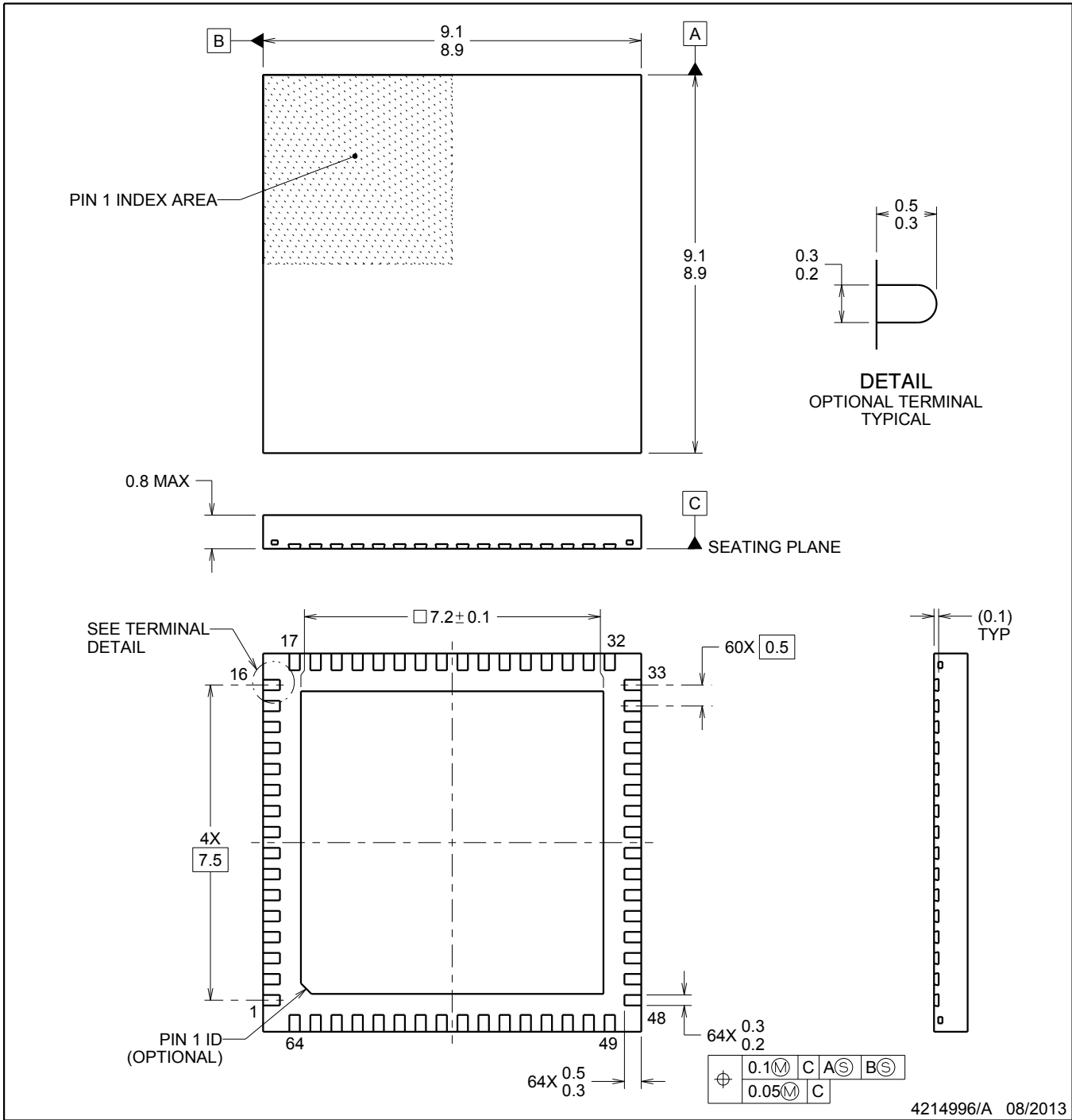
PACKAGE OUTLINE

NKD0064A



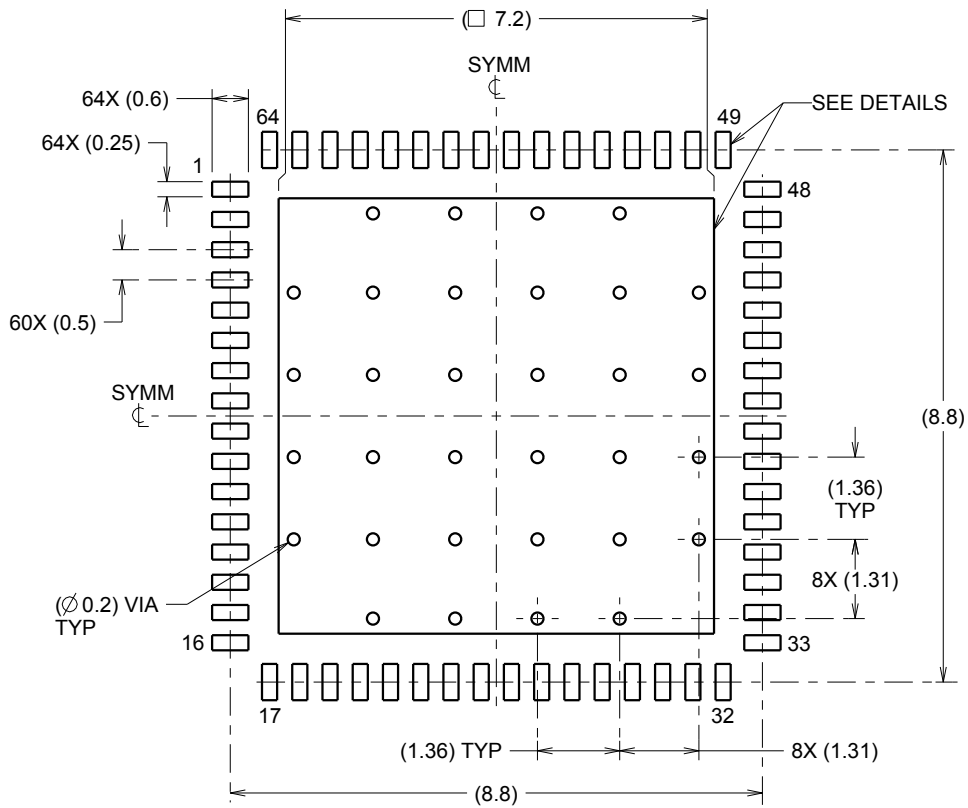
WQFN - 0.8 mm max height

WQFN

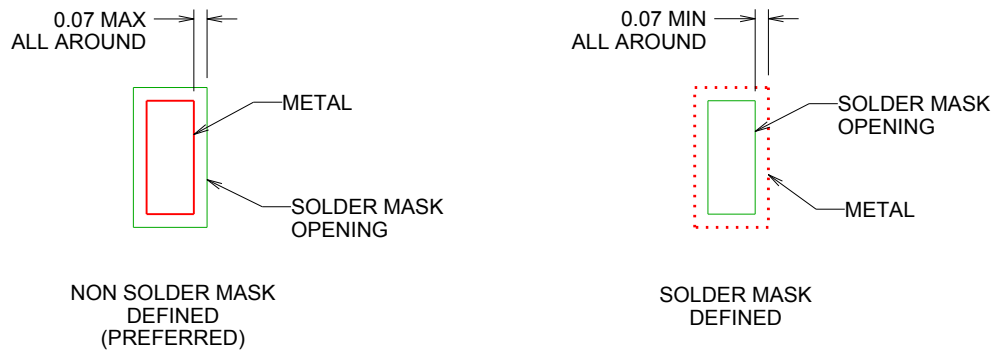


NOTES:

1. All linear dimensions are in millimeters. Dimensions in parenthesis are for reference only. Dimensioning and tolerancing per ASME Y14.5M.
2. This drawing is subject to change without notice.
3. The package thermal pad must be soldered to the printed circuit board for thermal and mechanical performance.



LAND PATTERN EXAMPLE
SCALE:8X

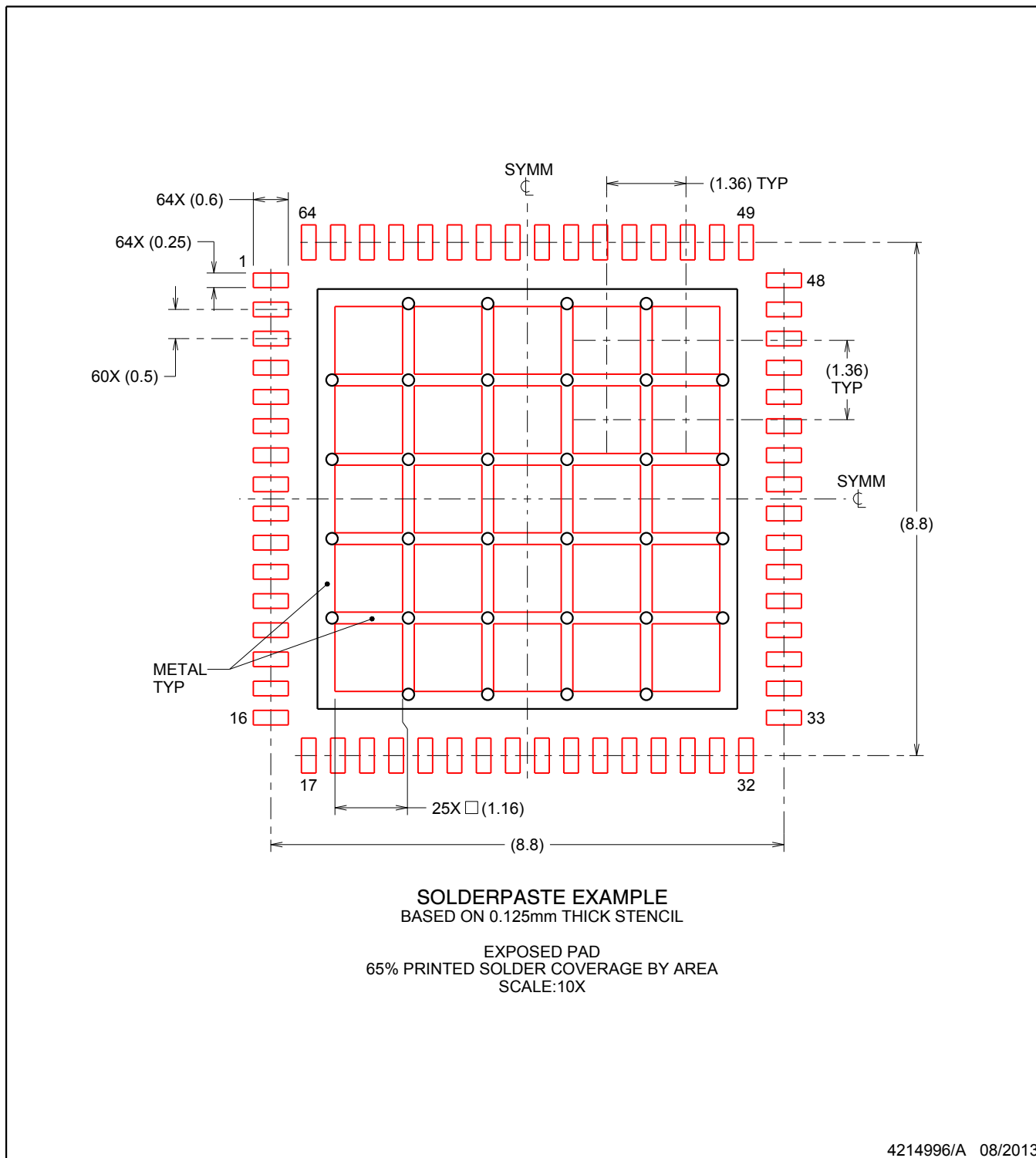


SOLDER MASK DETAILS

4214996/A 08/2013

NOTES: (continued)

- This package is designed to be soldered to a thermal pad on the board. For more information, refer to QFN/SON PCB application note in literature No. SLUA271 (www.ti.com/lit/slua271).



NOTES: (continued)

5. Laser cutting apertures with trapezoidal walls and rounded corners may offer better paste release. IPC-7525 may have alternate design recommendations.

IMPORTANT NOTICE AND DISCLAIMER

TI PROVIDES TECHNICAL AND RELIABILITY DATA (INCLUDING DATA SHEETS), DESIGN RESOURCES (INCLUDING REFERENCE DESIGNS), APPLICATION OR OTHER DESIGN ADVICE, WEB TOOLS, SAFETY INFORMATION, AND OTHER RESOURCES "AS IS" AND WITH ALL FAULTS, AND DISCLAIMS ALL WARRANTIES, EXPRESS AND IMPLIED, INCLUDING WITHOUT LIMITATION ANY IMPLIED WARRANTIES OF MERCHANTABILITY, FITNESS FOR A PARTICULAR PURPOSE OR NON-INFRINGEMENT OF THIRD PARTY INTELLECTUAL PROPERTY RIGHTS.

These resources are intended for skilled developers designing with TI products. You are solely responsible for (1) selecting the appropriate TI products for your application, (2) designing, validating and testing your application, and (3) ensuring your application meets applicable standards, and any other safety, security, regulatory or other requirements.

These resources are subject to change without notice. TI grants you permission to use these resources only for development of an application that uses the TI products described in the resource. Other reproduction and display of these resources is prohibited. No license is granted to any other TI intellectual property right or to any third party intellectual property right. TI disclaims responsibility for, and you will fully indemnify TI and its representatives against, any claims, damages, costs, losses, and liabilities arising out of your use of these resources.

TI's products are provided subject to [TI's Terms of Sale](#) or other applicable terms available either on [ti.com](https://www.ti.com) or provided in conjunction with such TI products. TI's provision of these resources does not expand or otherwise alter TI's applicable warranties or warranty disclaimers for TI products.

TI objects to and rejects any additional or different terms you may have proposed.

Mailing Address: Texas Instruments, Post Office Box 655303, Dallas, Texas 75265
Copyright © 2024, Texas Instruments Incorporated