

INA228-Q1 AEC-Q100, 85-V, 20-Bit, Ultra-Precise Power/Energy/Charge Monitor With I²C Interface

1 Features

- AEC-Q100 qualified for automotive applications:
 - Temperature grade 1: -40°C to $+125^{\circ}\text{C}$, T_A
- [Functional Safety-Capable](#)
 - [Documentation available to aid functional safety system design](#)
- High-resolution, 20-bit delta-sigma ADC
- Current monitoring accuracy:
 - Offset voltage: $\pm 1\ \mu\text{V}$ (maximum)
 - Offset drift: $\pm 0.01\ \mu\text{V}/^{\circ}\text{C}$ (maximum)
 - Gain error: $\pm 0.05\%$ (maximum)
 - Gain error drift: $\pm 20\ \text{ppm}/^{\circ}\text{C}$ (maximum)
 - Common mode rejection: 154 dB (minimum)
- Power monitoring accuracy:
 - 0.5% full scale, -40°C to $+125^{\circ}\text{C}$ (maximum)
- Energy and charge accuracy:
 - 1.0% full scale (maximum)
- Fast alert response: 75 μs
- Wide common-mode range: $-0.3\ \text{V}$ to $+85\ \text{V}$
- Bus voltage sense input: 0 V to 85 V
- Shunt full-scale differential range: $\pm 163.84\ \text{mV}$ / $\pm 40.96\ \text{mV}$
- Input bias current: 2.5 nA (maximum)
- Temperature sensor: $\pm 1^{\circ}\text{C}$ (maximum at 25°C)
- Programmable resistor temperature compensation
- Programmable conversion time and averaging
- 2.94-MHz high-speed I²C interface with 16 pin-selectable addresses
- Operates from a 2.7-V to 5.5-V supply:
 - Operational current: 640 μA (typical)
 - Shutdown current: 5 μA (maximum)

2 Applications

- [Automotive battery management systems](#)
- [EV / HEV mA - KA sense applications](#)
- [DC/DC converters and power inverters](#)
- [ADAS domain controllers](#)

3 Description

The INA228-Q1 is an ultra-precise digital power monitor with a 20-bit delta-sigma ADC specifically designed for current-sensing applications. The device can measure a full-scale differential input of $\pm 163.84\ \text{mV}$ or $\pm 40.96\ \text{mV}$ across a resistive shunt sense element with common-mode voltage support from $-0.3\ \text{V}$ to $+85\ \text{V}$.

The INA228-Q1 reports current, bus voltage, temperature, power, energy and charge accumulation while employing a precision $\pm 0.5\%$ integrated oscillator, all while performing the needed calculations in the background. The integrated temperature sensor is $\pm 1^{\circ}\text{C}$ accurate for die temperature measurement and is useful in monitoring the system ambient temperature.

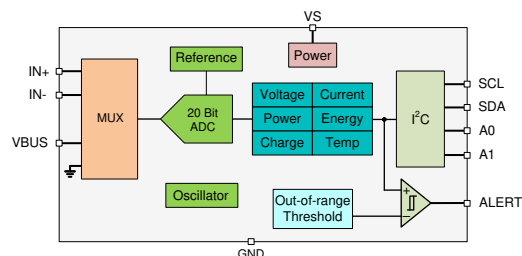
The low offset and gain drift design of the INA228-Q1 allows the device to be used in precise systems that do not undergo multi-temperature calibration during manufacturing. Further, the very low offset voltage and noise allow for use in mA to kA sensing applications and provide a wide dynamic range without significant power dissipation losses on the sensing shunt element. The low input bias current of the device permits the use of larger current-sense resistors, thus providing accurate current measurements in the micro-amp range.

The device allows for selectable ADC conversion times from 50 μs to 4.12 ms as well as sample averaging from 1x to 1024x, which further helps reduce the noise of the measured data.

Device Information⁽¹⁾

| PART NUMBER | PACKAGE | BODY SIZE (NOM) |
|-------------|------------|-------------------|
| INA228-Q1 | VSSOP (10) | 3.00 mm × 3.00 mm |

(1) For all available packages, see the package option addendum at the end of the data sheet.



Simplified Block Diagram



Table of Contents

| | | | |
|--|----|--|----|
| 1 Features | 1 | 7.4 Device Functional Modes..... | 18 |
| 2 Applications | 1 | 7.5 Programming..... | 19 |
| 3 Description | 1 | 7.6 Register Maps..... | 21 |
| 4 Revision History | 2 | 8 Application and Implementation | 32 |
| 5 Pin Configuration and Functions | 3 | 8.1 Application Information..... | 32 |
| 6 Specifications | 3 | 8.2 Typical Application..... | 37 |
| 6.1 Absolute Maximum Ratings | 3 | 9 Power Supply Recommendations | 41 |
| 6.2 ESD Ratings | 4 | 10 Layout | 41 |
| 6.3 Recommended Operating Conditions | 4 | 10.1 Layout Guidelines..... | 41 |
| 6.4 Thermal Information | 4 | 10.2 Layout Example..... | 41 |
| 6.5 Electrical Characteristics | 5 | 11 Device and Documentation Support | 42 |
| 6.6 Timing Requirements (I ² C) | 7 | 11.1 Receiving Notification of Documentation Updates.. | 42 |
| 6.7 Timing Diagram | 7 | 11.2 Support Resources..... | 42 |
| 6.8 Typical Characteristics..... | 8 | 11.3 Trademarks..... | 42 |
| 7 Detailed Description | 12 | 11.4 Electrostatic Discharge Caution..... | 42 |
| 7.1 Overview..... | 12 | 11.5 Glossary..... | 42 |
| 7.2 Functional Block Diagram..... | 12 | 12 Mechanical, Packaging, and Orderable Information | 42 |
| 7.3 Feature Description..... | 12 | | |

4 Revision History

NOTE: Page numbers for previous revisions may differ from page numbers in the current version.

| Changes from Revision * (June 2020) to Revision A (June 2021) | Page |
|--|-------------|
| • Changed data sheet status from: Advanced Information to: Production Data..... | 1 |
| • Added Functional Safety bullets..... | 1 |
| • Updated the numbering format for tables, figures, and cross-references throughout the document..... | 1 |
| • Updated the figures and equations throughout the document to align with the commercial data sheet..... | 1 |

5 Pin Configuration and Functions

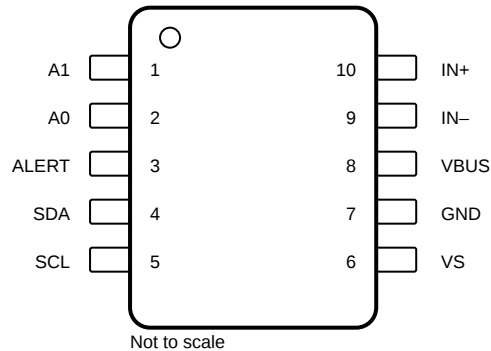


Figure 5-1. DGS Package 10-Pin VSSOP Top View

Table 5-1. Pin Functions

| PIN | | TYPE | DESCRIPTION |
|-----|-------|----------------------|--|
| NO. | NAME | | |
| 1 | A1 | Digital input | I ² C address pin. Connect to GND, SCL, SDA, or VS. |
| 2 | A0 | Digital input | I ² C address pin. Connect to GND, SCL, SDA, or VS. |
| 3 | ALERT | Digital output | Open-drain alert output, default state is active low. |
| 4 | SDA | Digital input/output | Open-drain bidirectional I ² C data. |
| 5 | SCL | Digital input | I ² C clock input. |
| 6 | VS | Power supply | Power supply, 2.7 V to 5.5 V. |
| 7 | GND | Ground | Ground. |
| 8 | VBUS | Analog input | Bus voltage input. |
| 9 | IN- | Analog input | Negative input to the device. For high-side applications, connect to load side of sense resistor. For low-side applications, connect to ground side of sense resistor. |
| 10 | IN+ | Analog input | Positive input to the device. For high-side applications, connect to power supply side of sense resistor. For low-side applications, connect to load side of sense resistor. |

6 Specifications

6.1 Absolute Maximum Ratings

over operating free-air temperature range (unless otherwise noted)⁽¹⁾

| | | MIN | MAX | UNIT |
|-------------------------------------|--|------|-----------|------|
| V _S | Supply voltage | | 6 | V |
| V _{IN+} , V _{IN-} | Differential (V _{IN+}) – (V _{IN-}) | –40 | 40 | V |
| | Common-mode | –0.3 | 85 | V |
| V _{VBUS} | | –0.3 | 85 | V |
| V _{ALERT} | ALERT | –0.3 | vs. + 0.3 | V |
| V _{IO} | SDA, SCL | –0.3 | 6 | V |
| I _{IN} | Input current into any pin | | 5 | mA |
| I _{OUT} | Digital output current | | 10 | mA |
| T _J | Junction temperature | | 150 | °C |
| T _{stg} | Storage temperature | –65 | 150 | °C |

- (1) Stresses beyond those listed under *Absolute Maximum Rating* may cause permanent damage to the device. These are stress ratings only, which do not imply functional operation of the device at these or any other conditions beyond those indicated under *Recommended Operating Condition*. Exposure to absolute-maximum-rated conditions for extended periods may affect device reliability.
- (2) V_{IN+} and V_{IN-} are the voltages at the IN+ and IN– pins, respectively.

6.2 ESD Ratings

| | | | VALUE | UNIT |
|--------------------|-------------------------|--|-------|------|
| V _(ESD) | Electrostatic discharge | Human body model (HBM), per AEC Q100-002, all pins ⁽¹⁾ HBM ESD Classification Level 2 | ±2000 | V |
| | | Charged device model (CDM), per AEC Q100-011, all pins CDM ESD Classification Level C6 | ±1000 | |

(1) AEC Q100-002 indicated that HBM stressing shall be in accordance with the ANSI/ESDA/JEDEC JS-001 specification.

6.3 Recommended Operating Conditions

over operating free-air temperature range (unless otherwise noted)

| | | MIN | NOM | MAX | UNIT |
|-----------------|-------------------------|------|-----|-----|------|
| V _{CM} | Common-mode input range | −0.3 | | 85 | V |
| V _S | Operating supply range | 2.7 | | 5.5 | V |
| T _A | Ambient temperature | −40 | | 125 | °C |

6.4 Thermal Information

| THERMAL METRIC ⁽¹⁾ | | INA228-Q1 | | UNIT |
|-------------------------------|--|-----------|--|------|
| | | DGS | | |
| | | 10 PINS | | |
| R _{θJA} | Junction-to-ambient thermal resistance | 177.6 | | °C/W |
| R _{θJC(top)} | Junction-to-case (top) thermal resistance | 66.4 | | °C/W |
| R _{θJB} | Junction-to-board thermal resistance | 99.5 | | °C/W |
| Ψ _{JT} | Junction-to-top characterization parameter | 9.7 | | °C/W |
| Y _{JB} | Junction-to-board characterization parameter | 97.6 | | °C/W |
| R _{θJC(bot)} | Junction-to-case (bottom) thermal resistance | N/A | | °C/W |

(1) For more information about traditional and new thermal metrics, see the [Semiconductor and IC Package Thermal Metrics](#) application report.

6.5 Electrical Characteristics

at $T_A = 25\text{ }^\circ\text{C}$, $V_S = 3.3\text{ V}$, $V_{\text{SENSE}} = V_{\text{IN}+} - V_{\text{IN}-} = 0\text{ V}$, $V_{\text{CM}} = V_{\text{IN}-} = 48\text{ V}$ (unless otherwise noted)

| PARAMETER | | TEST CONDITIONS | MIN | TYP | MAX | UNIT |
|-----------------------|--|---|---------|------------|------------|------------------------------|
| INPUT | | | | | | |
| V_{CM} | Common-mode input range | $T_A = -40\text{ }^\circ\text{C}$ to $+125\text{ }^\circ\text{C}$ | -0.3 | | 85 | V |
| V_{VBUS} | Bus voltage input range | | 0 | | 85 | V |
| CMRR | Common-mode rejection | $-0.3\text{ V} < V_{\text{CM}} < 85\text{ V}$, $T_A = -40\text{ }^\circ\text{C}$ to $+125\text{ }^\circ\text{C}$ | 154 | 170 | | dB |
| V_{DIFF} | Shunt voltage input range | $T_A = -40\text{ }^\circ\text{C}$ to $+125\text{ }^\circ\text{C}$, ADCRANGE = 0 | -163.84 | | 163.84 | mV |
| | | $T_A = -40\text{ }^\circ\text{C}$ to $+125\text{ }^\circ\text{C}$, ADCRANGE = 1 | -40.96 | | 40.96 | mV |
| V_{os} | Shunt offset voltage | $V_{\text{CM}} = 48\text{ V}$, $T_{\text{CT}} > 280\text{ }\mu\text{s}$ | | ± 0.3 | ± 1 | μV |
| | | $V_{\text{CM}} = 0\text{ V}$, $T_{\text{CT}} > 280\text{ }\mu\text{s}$ | | ± 0.3 | ± 1 | μV |
| dV_{os}/dT | Shunt offset voltage drift | $T_A = -40\text{ }^\circ\text{C}$ to $+125\text{ }^\circ\text{C}$ | | ± 2 | ± 10 | $\text{nV}/^\circ\text{C}$ |
| PSRR | Shunt offset voltage vs. power supply | $V_S = 2.7\text{ V}$ to 5.5 V , $T_A = -40\text{ }^\circ\text{C}$ to $+125\text{ }^\circ\text{C}$ | | ± 0.05 | ± 0.5 | $\mu\text{V}/\text{V}$ |
| $V_{\text{os_bus}}$ | V_{BUS} offset voltage | $V_{\text{BUS}} = 20\text{ mV}$ | | ± 1 | ± 2.5 | mV |
| dV_{os}/dT | V_{BUS} offset voltage drift | $T_A = -40\text{ }^\circ\text{C}$ to $+125\text{ }^\circ\text{C}$ | | ± 4 | ± 20 | $\mu\text{V}/^\circ\text{C}$ |
| PSRR | V_{BUS} offset voltage vs. power supply | $V_S = 2.7\text{ V}$ to 5.5 V | | ± 0.25 | | mV/V |
| I_{B} | Input bias current | Either input, IN+ or IN-, $V_{\text{CM}} = 85\text{ V}$ | | 0.1 | 2.5 | nA |
| Z_{VBUS} | V_{BUS} pin input impedance | Active mode | 0.8 | 1 | 1.2 | M Ω |
| I_{VBUS} | V_{BUS} pin leakage current | Shutdown mode, $V_{\text{BUS}} = 85\text{ V}$ | | 10 | | nA |
| R_{DIFF} | Input differential impedance | Active mode, $V_{\text{IN}+} - V_{\text{IN}-} < 164\text{ mV}$ | | 92 | | k Ω |
| DC ACCURACY | | | | | | |
| G_{SERR} | Shunt voltage gain error | $V_{\text{CM}} = 24\text{ V}$ | | ± 0.01 | ± 0.05 | % |
| $G_{\text{S_DRFT}}$ | Shunt voltage gain error drift | | | | ± 20 | $\text{ppm}/^\circ\text{C}$ |
| G_{BERR} | V_{BUS} voltage gain error | | | ± 0.01 | ± 0.05 | % |
| $G_{\text{B_DRFT}}$ | V_{BUS} voltage gain error drift | | | | ± 20 | $\text{ppm}/^\circ\text{C}$ |
| P_{TME} | Power total measurement error (TME) | $T_A = -40\text{ }^\circ\text{C}$ to $+125\text{ }^\circ\text{C}$, at full scale | | | ± 0.5 | % |
| E_{TME} | Energy and charge TME | at full scale power | | | ± 1 | % |
| | ADC resolution | | | 20 | | Bits |
| | 1 LSB step size | Shunt voltage, ADCRANGE = 0 | | 312.5 | | nV |
| | | Shunt voltage, ADCRANGE = 1 | | 78.125 | | nV |
| | | Bus voltage | | 195.3125 | | μV |
| | | Temperature | | 7.8125 | | m°C |
| T_{CT} | ADC conversion-time ⁽¹⁾ | Conversion time field = 0h | | 50 | | μs |
| | | Conversion time field = 1h | | 84 | | |
| | | Conversion time field = 2h | | 150 | | |
| | | Conversion time field = 3h | | 280 | | |
| | | Conversion time field = 4h | | 540 | | |
| | | Conversion time field = 5h | | 1052 | | |
| | | Conversion time field = 6h | | 2074 | | |
| | | Conversion time field = 7h | | 4120 | | |
| INL | Integral Non-Linearity | | | ± 2 | | m% |
| DNL | Differential Non-Linearity | | | 0.2 | | LSB |
| CLOCK SOURCE | | | | | | |
| F_{OSC} | Internal oscillator frequency | | | 1 | | MHz |
| $F_{\text{OSC_TOL}}$ | Internal oscillator frequency tolerance | $T_A = 25\text{ }^\circ\text{C}$ | | | ± 0.5 | % |
| | | $T_A = -40\text{ }^\circ\text{C}$ to $+125\text{ }^\circ\text{C}$ | | | ± 1 | % |

6.5 Electrical Characteristics (continued)

at $T_A = 25\text{ }^\circ\text{C}$, $V_S = 3.3\text{ V}$, $V_{\text{SENSE}} = V_{\text{IN+}} - V_{\text{IN-}} = 0\text{ V}$, $V_{\text{CM}} = V_{\text{IN-}} = 48\text{ V}$ (unless otherwise noted)

| PARAMETER | | TEST CONDITIONS | MIN | TYP | MAX | UNIT |
|-------------------------------|-------------------------------|--|-----|------------|---------|------------------|
| TEMPERATURE SENSOR | | | | | | |
| | Measurement range | | -40 | | +125 | $^\circ\text{C}$ |
| | Temperature accuracy | $T_A = 25\text{ }^\circ\text{C}$ | | ± 0.15 | ± 1 | $^\circ\text{C}$ |
| | | $T_A = -40\text{ }^\circ\text{C to } +125\text{ }^\circ\text{C}$ | | ± 0.2 | ± 2 | $^\circ\text{C}$ |
| POWER SUPPLY | | | | | | |
| V_S | Supply voltage | | 2.7 | | 5.5 | V |
| I_Q | Quiescent current | $V_{\text{SENSE}} = 0\text{ V}$ | | 640 | 750 | μA |
| | | $V_{\text{SENSE}} = 0\text{ V}$, $T_A = -40\text{ }^\circ\text{C to } +125\text{ }^\circ\text{C}$ | | | 1.1 | mA |
| I_{QSD} | Quiescent current, shutdown | Shutdown mode | | 2.8 | 5 | μA |
| T_{POR} | Device start-up time | Power-up (NPOR) | | 300 | | μs |
| | | From shutdown mode | | 60 | | |
| DIGITAL INPUT / OUTPUT | | | | | | |
| V_{IH} | Logic input level, high | SDA, SCL | 1.2 | | 5.5 | V |
| V_{IL} | Logic input level, low | | GND | | 0.4 | V |
| V_{OL} | Logic output level, low | $I_{\text{OL}} = 3\text{ mA}$ | GND | | 0.4 | V |
| $I_{\text{IO_LEAK}}$ | Digital leakage input current | $0 \leq V_{\text{IN}} \leq V_S$ | -1 | | 1 | μA |

(1) Subject to oscillator accuracy and drift

6.6 Timing Requirements (I²C)

| | | MIN | NOM | MAX | UNIT |
|---|--|------|-----|------|------|
| I²C BUS (FAST MODE) | | | | | |
| F _(SCL) | I ² C clock frequency | 1 | | 400 | kHz |
| t _(BUF) | Bus free time between STOP and START conditions | 600 | | | ns |
| t _(HDSTA) | Hold time after a repeated START condition. After this period, the first clock is generated. | 100 | | | ns |
| t _(SUSTA) | Repeated START condition setup time | 100 | | | ns |
| t _(SUSTO) | STOP condition setup time | 100 | | | ns |
| t _(HDDAT) | Data hold time | 10 | | 900 | ns |
| t _(SUDAT) | Data setup time | 100 | | | ns |
| t _(LOW) | SCL clock low period | 1300 | | | ns |
| t _(HIGH) | SCL clock high period | 600 | | | ns |
| t _F | Data fall time | | | 300 | ns |
| t _F | Clock fall time | | | 300 | ns |
| t _R | Clock rise time | | | 300 | ns |
| I²C BUS (HIGH-SPEED MODE) | | | | | |
| F _(SCL) | I ² C clock frequency | 10 | | 2940 | kHz |
| t _(BUF) | Bus free time between STOP and START conditions | 160 | | | ns |
| t _(HDSTA) | Hold time after a repeated START condition. After this period, the first clock is generated. | 100 | | | ns |
| t _(SUSTA) | Repeated START condition setup time | 100 | | | ns |
| t _(SUSTO) | STOP condition setup time | 100 | | | ns |
| t _(HDDAT) | Data hold time | 10 | | 125 | ns |
| t _(SUDAT) | Data setup time | 20 | | | ns |
| t _(LOW) | SCL clock low period | 200 | | | ns |
| t _(HIGH) | SCL clock high period | 60 | | | ns |
| t _F | Data fall time | | | 80 | ns |
| t _F | Clock fall time | | | 40 | ns |
| t _R | Clock rise time | | | 40 | ns |

6.7 Timing Diagram

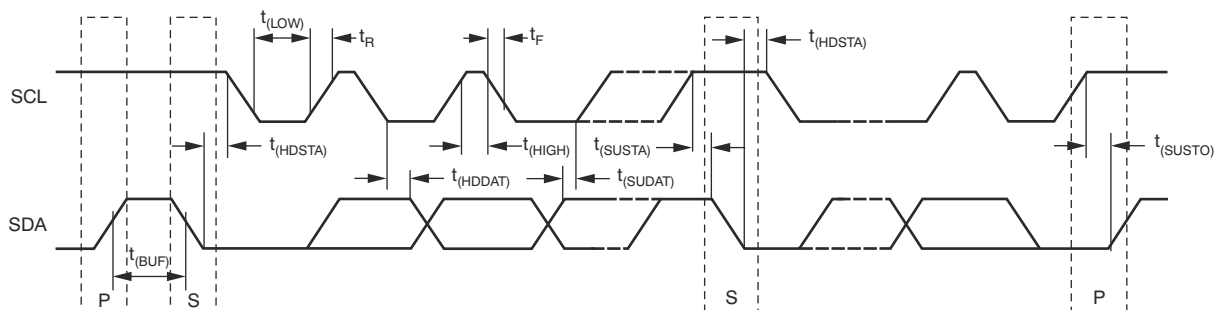


Figure 6-1. I²C Timing Diagram

6.8 Typical Characteristics

at $T_A = 25\text{ }^\circ\text{C}$, $V_{VS} = 3.3\text{ V}$, $V_{CM} = 48\text{ V}$, $V_{SENSE} = 0$, and $V_{VBUS} = 48\text{ V}$ (unless otherwise noted)

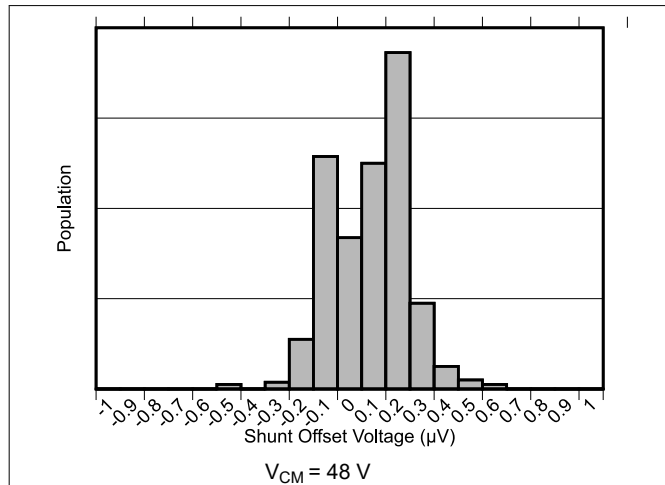


Figure 6-2. Shunt Input Offset Voltage Production Distribution

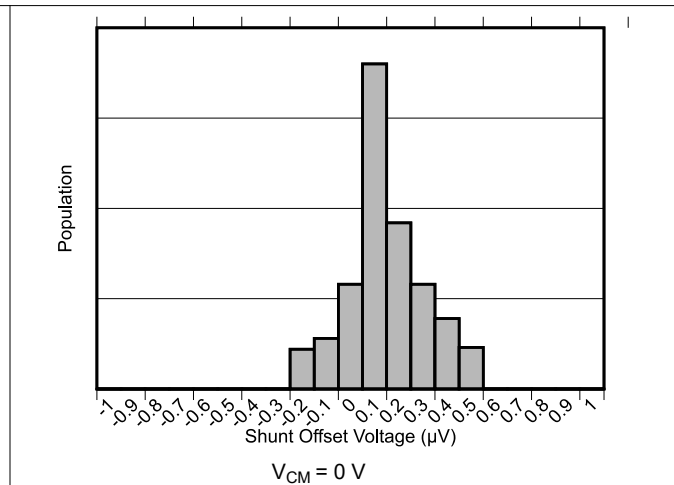


Figure 6-3. Shunt Input Offset Voltage Production Distribution

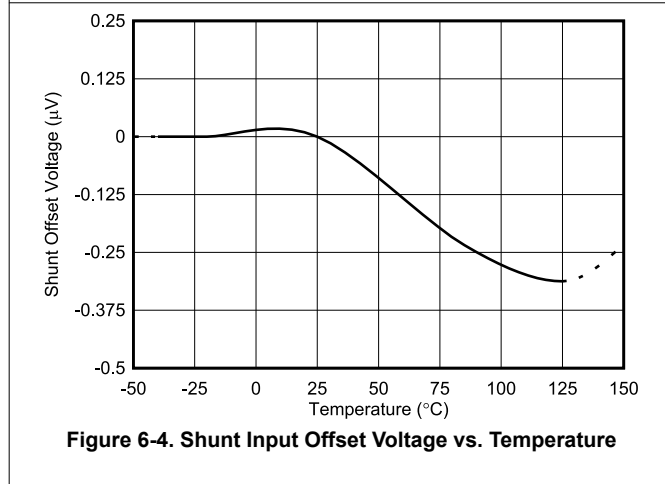


Figure 6-4. Shunt Input Offset Voltage vs. Temperature

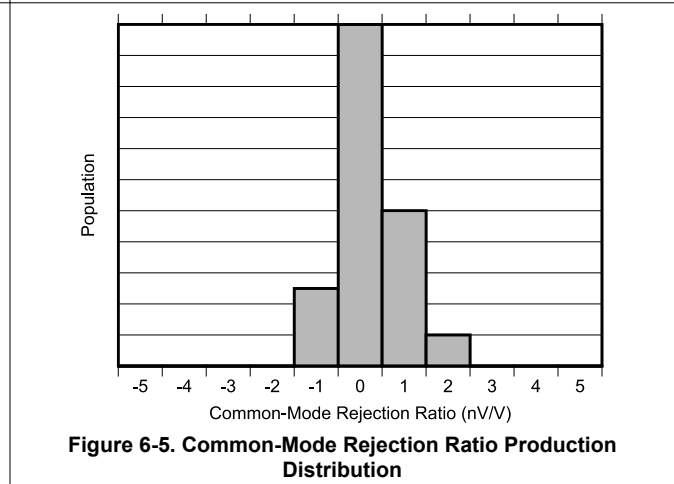


Figure 6-5. Common-Mode Rejection Ratio Production Distribution

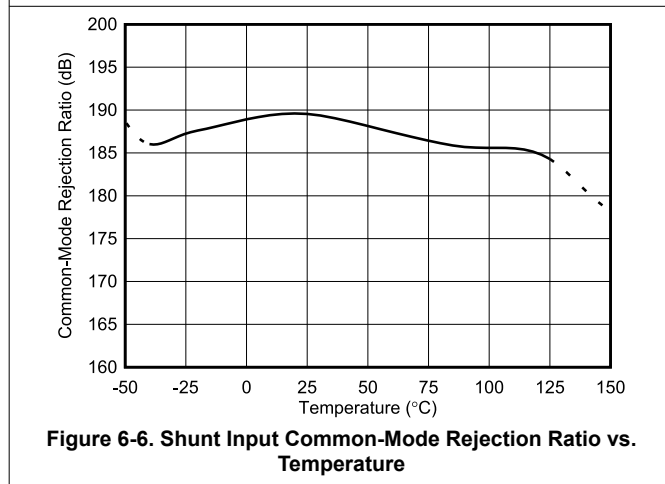


Figure 6-6. Shunt Input Common-Mode Rejection Ratio vs. Temperature

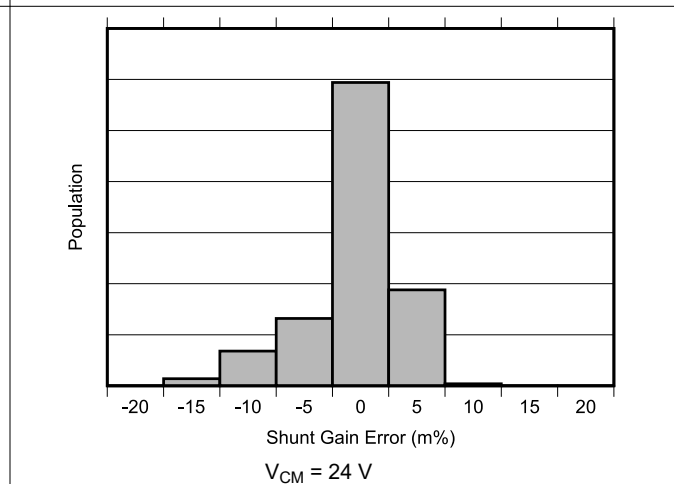


Figure 6-7. Shunt Input Gain Error Production Distribution

6.8 Typical Characteristics (continued)

at $T_A = 25\text{ }^\circ\text{C}$, $V_{VS} = 3.3\text{ V}$, $V_{CM} = 48\text{ V}$, $V_{SENSE} = 0$, and $V_{VBUS} = 48\text{ V}$ (unless otherwise noted)

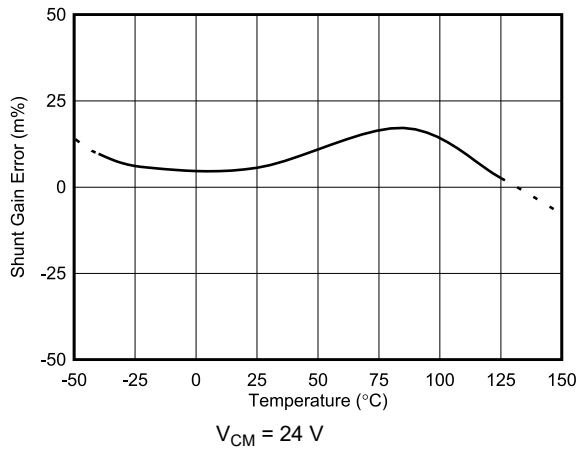


Figure 6-8. Shunt Input Gain Error vs. Temperature

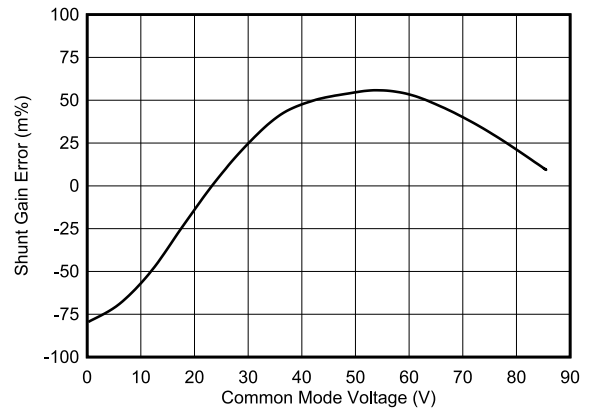


Figure 6-9. Shunt Input Gain Error vs. Common-Mode Voltage

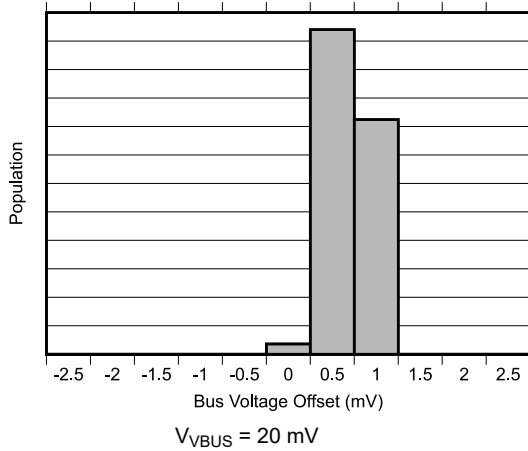


Figure 6-10. Bus Input Offset Voltage Production Distribution

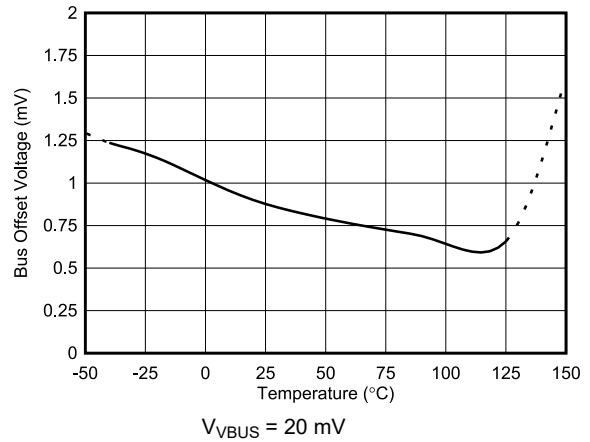


Figure 6-11. Bus Input Offset Voltage vs. Temperature

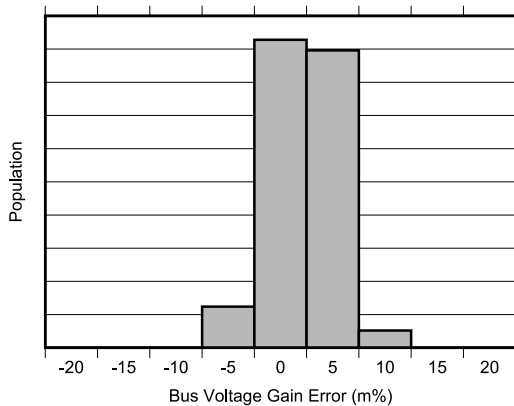


Figure 6-12. Bus Input Gain Error Production Distribution

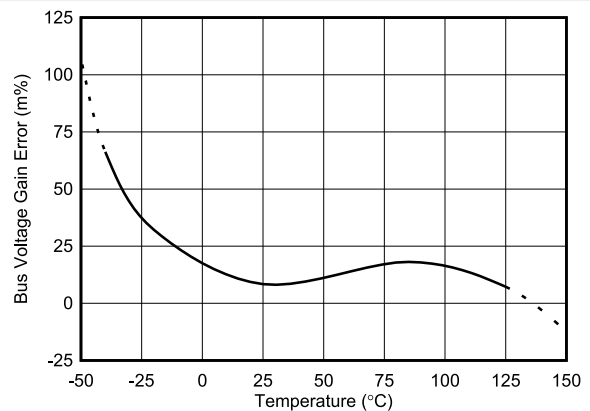


Figure 6-13. Bus Input Gain Error vs. Temperature

6.8 Typical Characteristics (continued)

at $T_A = 25\text{ }^\circ\text{C}$, $V_{VS} = 3.3\text{ V}$, $V_{CM} = 48\text{ V}$, $V_{SENSE} = 0$, and $V_{VBUS} = 48\text{ V}$ (unless otherwise noted)

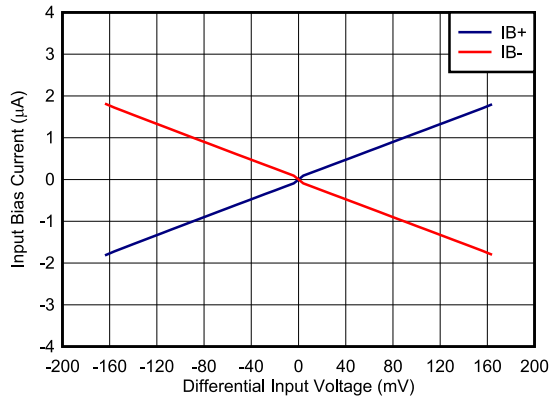


Figure 6-14. Input Bias Current vs. Differential Input Voltage

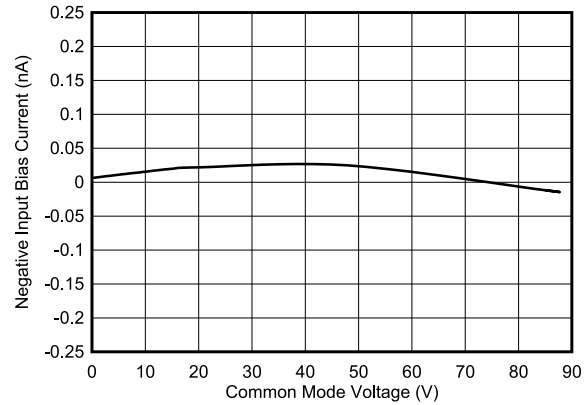


Figure 6-15. Input Bias Current (IB+ or IB-) vs. Common-Mode Voltage

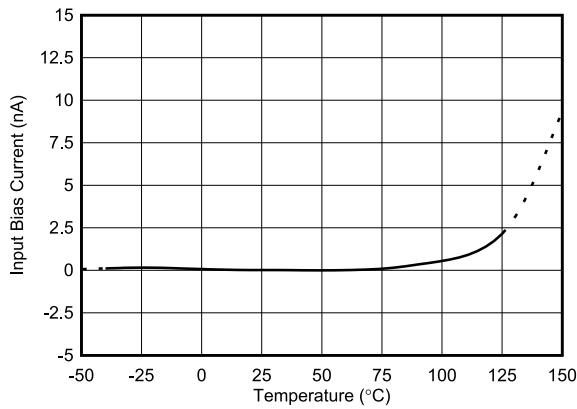


Figure 6-16. Input Bias Current vs. Temperature

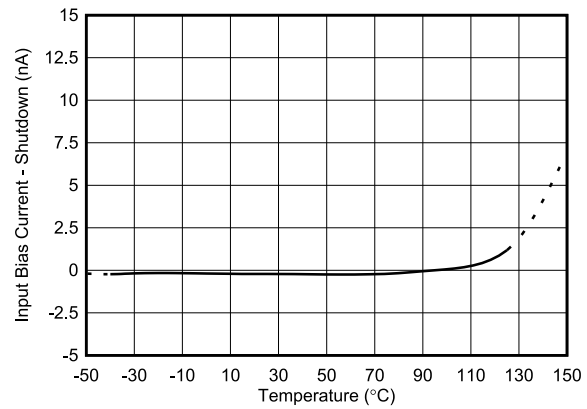


Figure 6-17. Input Bias Current vs. Temperature, Shutdown

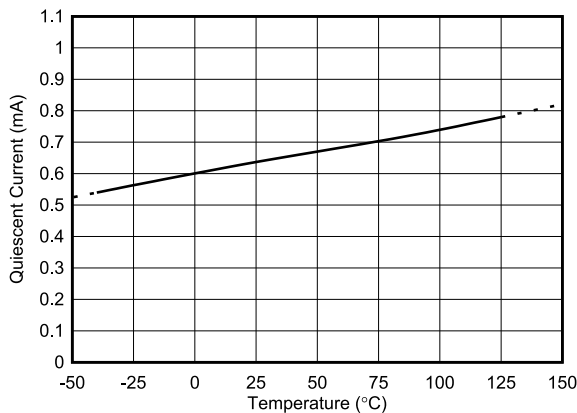


Figure 6-18. Active I_Q vs. Temperature

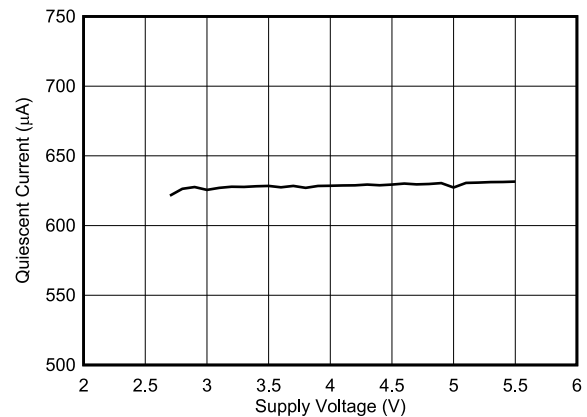


Figure 6-19. Active I_Q vs. Supply Voltage

6.8 Typical Characteristics (continued)

at $T_A = 25\text{ }^\circ\text{C}$, $V_{VS} = 3.3\text{ V}$, $V_{CM} = 48\text{ V}$, $V_{SENSE} = 0$, and $V_{VBUS} = 48\text{ V}$ (unless otherwise noted)

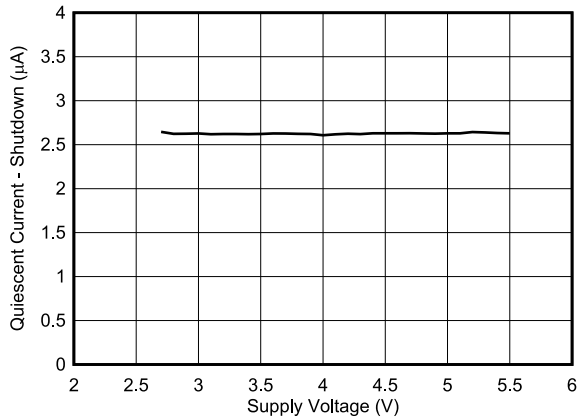


Figure 6-20. Shutdown I_Q vs. Supply Voltage

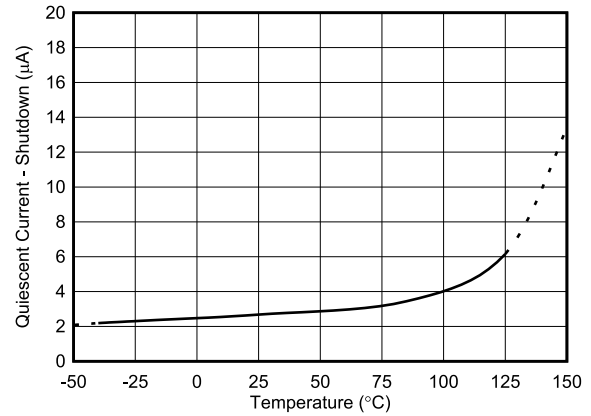


Figure 6-21. Shutdown I_Q vs. Temperature

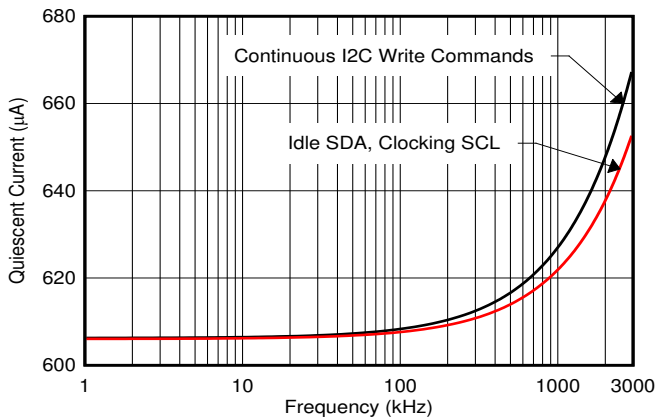


Figure 6-22. Active I_Q vs. Clock Frequency

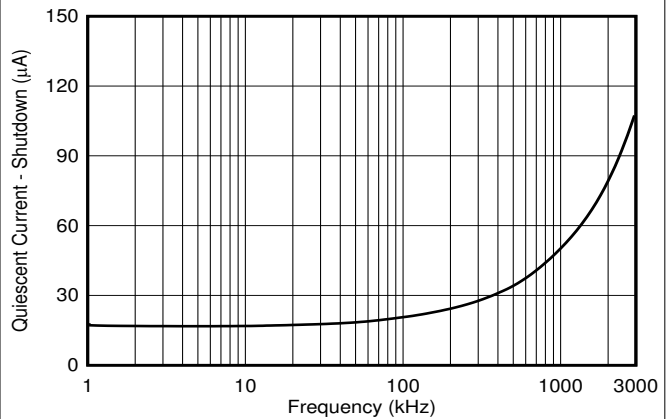


Figure 6-23. Shutdown I_Q vs. Clock Frequency

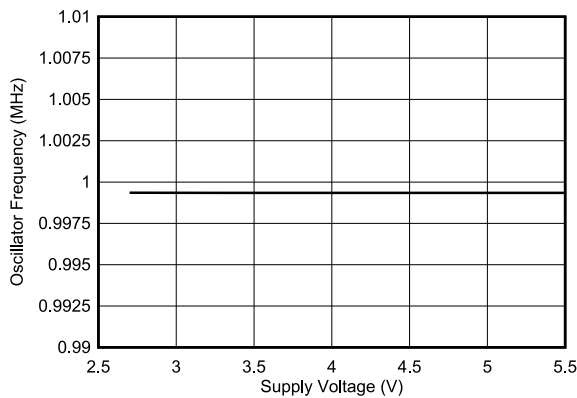


Figure 6-24. Internal Clock Frequency vs. Power Supply

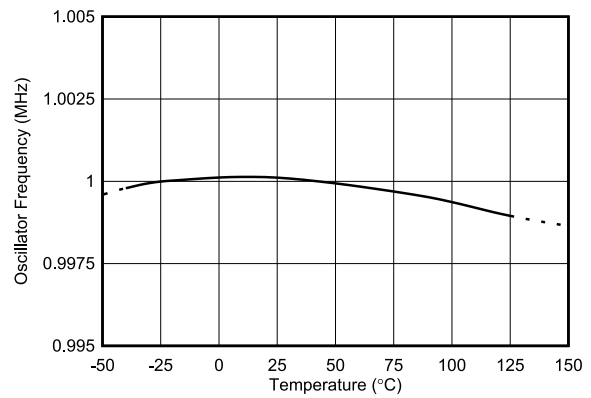


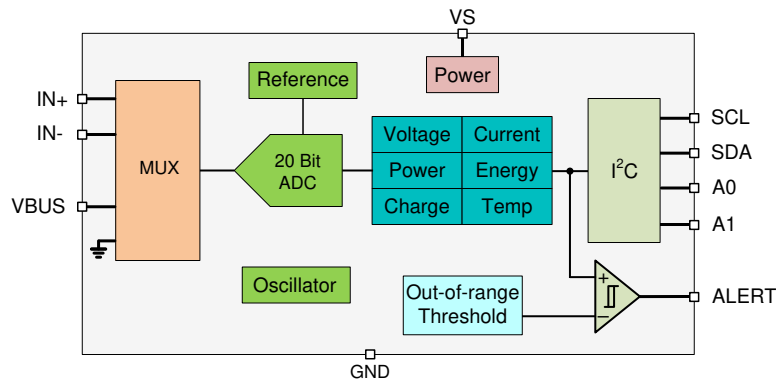
Figure 6-25. Internal Clock Frequency vs. Temperature

7 Detailed Description

7.1 Overview

The INA228-Q1 device is a digital current sense amplifier with an I²C digital interface. It measures shunt voltage, bus voltage and internal temperature while calculating current, power, energy and charge necessary for accurate decision making in precisely controlled systems. Programmable registers allow flexible configuration for measurement precision as well as continuous or triggered operation. Detailed register information is found in [Section 7.6](#).

7.2 Functional Block Diagram



7.3 Feature Description

7.3.1 Versatile High Voltage Measurement Capability

The INA228-Q1 operates off a 2.7 V to 5.5 V supply but can measure voltage and current on rails as high as 85 V. The current is measured by sensing the voltage drop across an external shunt resistor at the IN+ and IN- pins. The input stage of the INA228-Q1 is designed such that the input common-mode voltage can be higher than the device supply voltage, V_S. The supported common-mode voltage range at the input pins is -0.3 V to +85 V, which makes the device well suited for both high-side and low-side current measurements. There are no special considerations for power-supply sequencing because the common-mode input range and device supply voltage are independent of each other; therefore, the bus voltage can be present with the supply voltage off, and vice-versa without damaging the device.

The device also measures the bus supply voltage through the V_{BUS} pin and temperature through the integrated temperature sensor. The differential shunt voltage is measured between the IN+ and IN- pins, while the bus voltage is measured with respect to device ground. Monitored bus voltages can range from 0 V to 85 V, while monitored temperatures can range from -40 °C to +125 °C.

Shunt voltage, bus voltage, and temperature measurements are multiplexed internally to a single ADC as shown in [Figure 7-1](#).

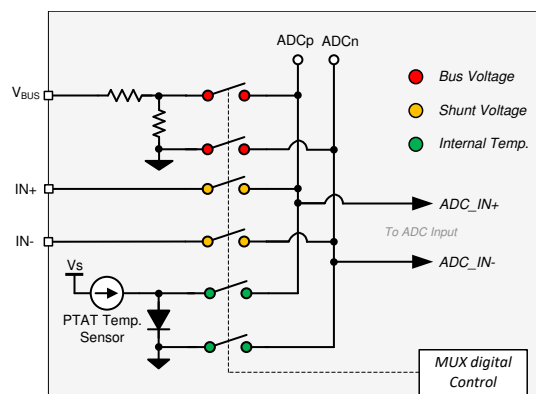


Figure 7-1. High-Voltage Input Multiplexer

7.3.2 Internal Measurement and Calculation Engine

The current and charge are calculated after a shunt voltage measurement, while the power and energy are calculated after a bus voltage measurement. Power and energy are calculated based on the previous current calculation and the latest bus voltage measurement. If the value loaded into the SHUNT_CAL register is zero, the power, energy and charge values will be reported as zero.

The current, voltage, and temperature values are immediate results when the number of averages is set to one as shown in Figure 7-2. However, when averaging is used, each ADC measurement is an intermediate result which is stored in the corresponding averaging registers. Following every ADC sample, the newly-calculated values for current, voltage, and temperature are appended to their corresponding averaging registers until the set number of averages is achieved. After all of the samples have been measured the average current and voltage is determined, the power is calculated and the results are loaded to the corresponding output registers where they can then be read.

The energy and charge values are accumulated for each conversion cycle. Therefore the INA228-Q1 averaging function is not applied to these.

Calculations for power, charge and energy are performed in the background and do not add to the overall conversion time.

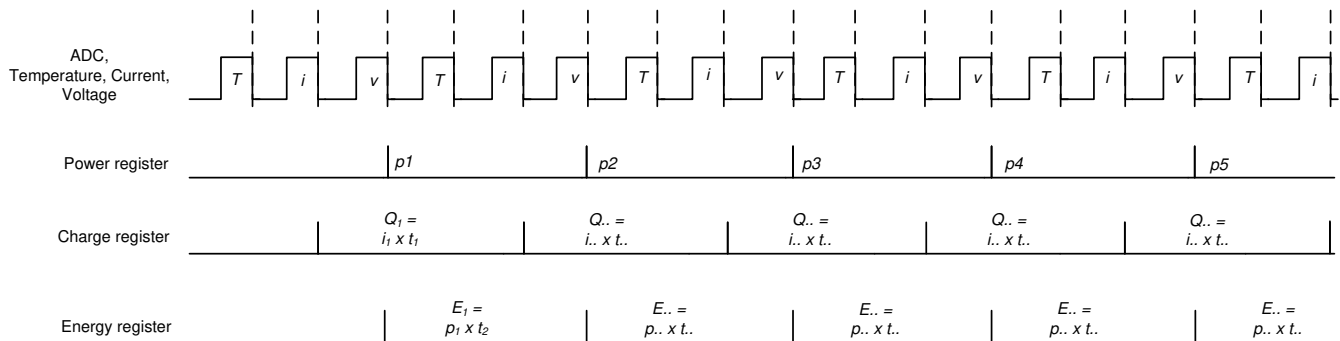


Figure 7-2. Power, Energy and Charge Calculation Scheme

7.3.3 Low Bias Current

The INA228-Q1 features very low input bias current which provides several benefits. The low input bias current of the INA228-Q1 reduces the current consumed by the device in both active and shutdown state. Another benefit of low bias current is that it allows the use of input filters to reject high-frequency noise before the signal is converted to digital data. In traditional digital current-sense amplifiers, the addition of input filters comes at the cost of reduced accuracy. However, as a result of the low bias current, the reduction in accuracy due to input filters is minimized. An additional benefit of low bias current is the ability to use a larger shunt resistor to accurately sense smaller currents. Use of a larger value for the shunt resistor allows the device to accurately monitor currents in the sub-mA range.

The bias current in the INA228-Q1 is the smallest when the sensed current is zero. As the current starts to increase, the differential voltage drop across the shunt resistor increases which results in an increase in the bias current as shown in [Input Bias Current vs. Differential Input Voltage](#).

7.3.4 High-Precision Delta-Sigma ADC

The integrated ADC is a high-performance, low-offset, low-drift, delta-sigma ADC designed to support bidirectional current flow at the shunt voltage measurement channel. The measured inputs are selected through the high-voltage input multiplexer to the ADC inputs as shown in Figure 7-1. The ADC architecture enables lower drift measurement across temperature and consistent offset measurements across the common-mode voltage, temperature, and power supply variations. A low-offset ADC is preferred in current sensing applications to provide a near 0-V offset voltage that maximizes the useful dynamic range of the system.

ADC conversion time for each input can be set independently by the VSHCT, VBUSCT, and VTCT bits in register ADC_CONFIG, respectively, in the range of 50 μs to 4.12 ms. Furthermore, a sample averaging function in the

range of 1x to 1024x is implemented and can be selected by the AVG bits in ADC_CONFIG register. The sample conversion time and the averaging are a part of the integrated digital filter described in [Section 7.3.4.1](#).

The INA228-Q1 can measure the shunt voltage, bus voltage, and die temperature, or a combination of any based on the selected MODE bits setting in the ADC_CONFIG register. This permits selecting modes to convert only the shunt voltage or bus voltage to further allow the user to configure the monitoring function to fit the specific application requirements. When no averaging is selected, once an ADC conversion is completed, the converted values are independently updated in their corresponding registers where they can be read through the digital interface at the time of conversion end. The conversion time for shunt voltage, bus voltage, and temperature inputs are set independently from 50 μ s to 4.12ms depending on the values programmed in the ADC_CONFIG register. Enabled measurement inputs are converted sequentially so the total time to convert all inputs depends on the conversion time for each input and the number of inputs enabled. When averaging is used, the intermediate values are subsequently stored in an averaging accumulator, and the conversion sequence repeats until the number of averages is reached. After all of the averaging has been completed, the final values are updated in the corresponding registers that can then be read. These values remain in the data output registers until they are replaced by the next fully completed conversion results. In this case, reading the data output registers does not affect a conversion in progress.

The ADC has two conversion modes—continuous and triggered—set by the MODE bits in ADC_CONFIG register. In continuous-conversion mode, the ADC will continuously convert the input measurements and update the output registers as described above in an indefinite loop. In triggered-conversion mode, the ADC will convert the input measurements as described above, after which the ADC will go into shutdown mode until another single-shot trigger is generated by writing to the MODE bits. Writing the MODE bits will interrupt and restart triggered or continuous conversions that are in progress. Although the device can be read at any time, and the data from the last conversion remains available, the Conversion Ready flag (CNVRF bit in DIAG_ALERT register) is provided to help coordinate triggered conversions. This bit is set after all conversions and averaging is completed.

The Conversion Ready flag (CNVRF) clears under these conditions:

- Writing to the ADC_CONFIG register (except for selecting shutdown mode); or
- Reading the DIAG_ALERT Register

While the INA228-Q1 device is used in either one of the conversion modes, a dedicated digital engine is calculating the current, power, charge and energy values in the background as described in [Section 7.3.2](#). In triggered mode, the accumulation registers (ENERGY and CHARGE) are invalid, as the device does not keep track of elapsed time. For applications that need critical measurements in regards to accumulation of time for energy and charge measurements, the device must be configured to use continuous conversion mode, as the accumulated results are continuously updated and can provide true system representation of charge and energy consumption in a system. All of the calculations are performed in the background and do not contribute to conversion time.

For applications that must synchronize with other components in the system, the INA228-Q1 conversion can be delayed by programming the CONVDLY bits in CONFIG register in the range between 0 (no delay) and 510 ms. The resolution in programming the conversion delay is 2 ms. The conversion delay is set to 0 by default. Conversion delay can assist in measurement synchronization when multiple external devices are used for voltage or current monitoring purposes. In applications where an time aligned voltage and current measurements are needed, two devices can be used with the current measurement delayed such that the external voltage and current measurements will occur at approximately the same time. Keep in mind that even though the internal time base for the ADC is precise, synchronization will be lost over time due to internal and external time base mismatch.

7.3.4.1 Low Latency Digital Filter

The device integrates a low-pass digital filter that performs both decimation and filtering on the ADC output data, which helps with noise reduction. The digital filter is automatically adjusted for the different output data rates and always settles within one conversion cycle. The user has the flexibility to choose different output conversion time periods T_{CT} from 50 μ s to 4.12 ms. With this configuration the first amplitude notch appears at the Nyquist frequency of the output signal which is determined by the selected conversion time period and

defined as $f_{\text{NOTCH}} = 1 / (2 \times T_{\text{CT}})$. This means that the filter cut-off frequency will scale proportionally with the data output rate as described. [ADC Frequency Response](#) shows the filter response when the 1.052 ms conversion time period is selected.

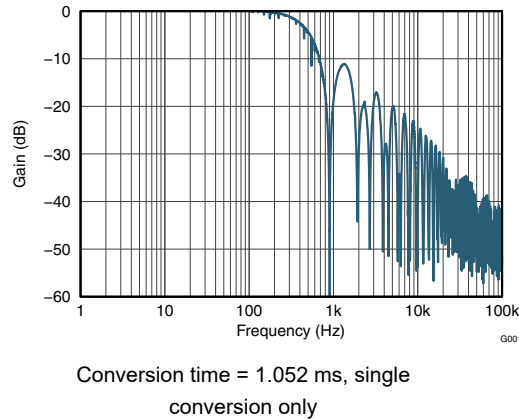


Figure 7-3. ADC Frequency Response

7.3.4.2 Flexible Conversion Times and Averaging

ADC conversion times for shunt voltage, bus voltage and temperature can be set independently from 50 μs to 4.12 ms. The flexibility in conversion time allows for robust operation in a variety of noisy environments. The device also allows for programmable averaging times from a single conversion all the way to an average of 1024 conversions. The amount of averaging selected applies uniformly to all active measurement inputs. The ADC_CONFIG register shown in [Table 7-6](#) provides additional details on the supported conversion times and averaging modes. The INA228-Q1 effective resolution of the ADC can be increased by increasing the conversion time and increasing the number of averages. [Figure 7-4](#) and [Figure 7-5](#) shown below illustrate the effect of conversion time and averaging on a constant input signal.

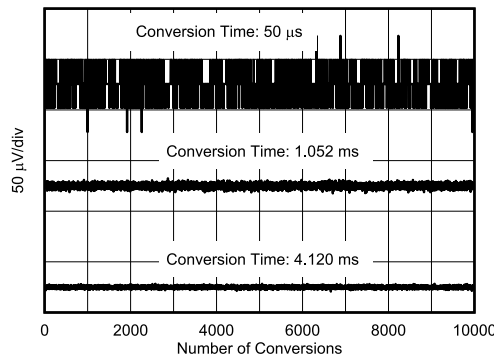


Figure 7-4. Noise vs Conversion Time (Averaging = 1)

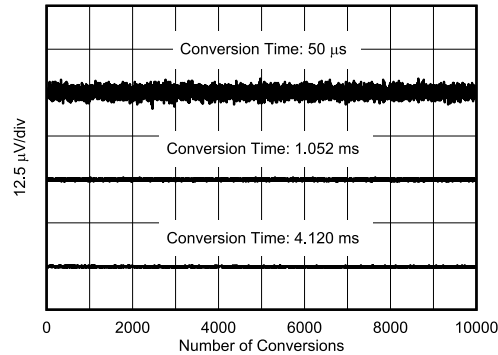


Figure 7-5. Noise vs. Conversion Time (Averaging = 128)

Settings for the conversion time and number of conversions averaged impact the effective measurement resolution. For more detailed information on how averaging reduces noise and increases the effective number of bits (ENOB) see [Section 8.1.3](#).

7.3.5 Shunt Resistor Drift Compensation

The INA228-Q1 device has an internal temperature sensor which can measure die temperature from $-40\text{ }^{\circ}\text{C}$ to $+125\text{ }^{\circ}\text{C}$. The accuracy of the temperature sensor is $\pm 2\text{ }^{\circ}\text{C}$ across the operational temperature range. The temperature value is stored inside the DIETEMP register and can be read through the digital interface.

The device has the capability to utilize the temperature measurement to compensate for shunt resistor temperature variance. This feature can be enabled by setting the TEMPCOMP bit in the CONFIG register, while the SHUNT_TEMPCO is the register that can be programmed to enter the temperature coefficient of the used shunt. The full scale value of the SHUNT_TEMPCO register is 16384 ppm/ $^{\circ}\text{C}$. The temperature compensation is referenced to $+25\text{ }^{\circ}\text{C}$. The shunt is always assumed to have a positive temperature coefficient and the temperature compensation follows [Equation 1](#):

$$R_{\text{ADJ}} = R_{\text{NOM}} + \frac{R_{\text{NOM}} \times (\text{DIETEMP} - 25) \times \text{SHUNT_TEMPCO}}{10^6} \quad (1)$$

where

- R_{NOM} is the nominal shunt resistance in Ohms at $25\text{ }^{\circ}\text{C}$.
- DIETEMP is the temperature value in the DIETEMP register in $^{\circ}\text{C}$.
- SHUNT_TEMPCO is the shunt temperature coefficient in ppm/ $^{\circ}\text{C}$.

When this feature is enabled and correctly programmed, the CURRENT register data is corrected by constantly monitoring the die temperature and becomes a function of temperature. The effectiveness of the compensation will depend on how well the resistor and the INA228-Q1 are thermally coupled since the die temperature of the INA228-Q1 is used for the compensation.

Note

Warning: If temperature compensation is enabled under some conditions, the calculated current result may be lower than the actual value. This condition typically occurs when there is a high value of shunt voltage ($>70\%$ of full range), there is a shunt with high temperature-coefficient value (>2000 ppm/ $^{\circ}\text{C}$), and there is a high temperature ($>100\text{ }^{\circ}\text{C}$). Consider the example of constant current flowing through a high temperature coefficient shunt such that at lower temperatures the shunt voltage is in its upper range. As the temperature increases, the device will correctly report a constant current until the maximum shunt voltage is reached. As temperature continues to increase after the maximum shunt voltage is reached, the device will start reporting lower currents. This is because the effective resistance calculated will continue to increase while the detected shunt voltage will remain constant due to the voltage exceeding the selected ADC range.

7.3.6 Integrated Precision Oscillator

The internal timebase of the device is provided by an internal oscillator that is trimmed to less than 0.5% tolerance at room temperature. The precision oscillator is the timing source for ADC conversions, as well as the time-count used for calculation of energy and charge. The digital filter response varies with conversion time; therefore, the precise clock ensures filter response and notch frequency consistency across temperature. On power up, the internal oscillator and ADC take roughly 300 μ s to reach <1% error stability. Once the clock stabilizes, the ADC data output will be accurate to the electrical specifications provided in [Section 6](#).

7.3.7 Multi-Alert Monitoring and Fault Detection

The INA228-Q1 includes a multipurpose, open-drain ALERT output pin that can be used to report multiple diagnostics or as an indicator that the ADC conversion is complete when the device is operating in both triggered and continuous conversion mode. The diagnostics listed in [Table 7-1](#) are constantly monitored and can be reported through the ALERT pin whenever the monitored output value crosses its associated out-of-range threshold.

Table 7-1. ALERT Diagnostics Description

| INA228-Q1 DIAGNOSTIC | STATUS BIT IN DIAG_ALERT REGISTER (RO) | OUT-OF-RANGE THRESHOLD REGISTER (R/W) | REGISTER DEFAULT VALUE |
|---------------------------|--|---------------------------------------|--|
| Shunt Under Voltage Limit | SHNTUL | SUVL | 0x8000 h (two's complement) |
| Shunt Over Voltage Limit | SHNTOL | SOVL | 0x7FFF h (two's complement) |
| Bus Voltage Over-Limit | BUSOL | BOVL | 0x7FFF h (two's complement, positive values only) |
| Bus Voltage Under-Limit | BUSUL | BUVL | 0x0000 h (two's complement, positive values only) |
| Temperature Over-Limit | TMPOL | TEMP_LIMIT | 0xFFFF h (two's complement, positive values only) |
| Power Over-Limit | POL | PWR_LIMIT | 0x7FFF h (two's complement) |

A read of the DIAG_ALERT register is used to determine which diagnostic has triggered the ALERT pin. This register, shown in [Table 7-16](#), is also used to monitor other associated diagnostics as well as configure some ALERT pin functions.

- Alert latch enable — In case the ALERT pin is triggered, this function will hold the value of the pin even after all diagnostic conditions have cleared. A read of the DIAG_ALERT register will reset the status of the ALERT pin. This function is enabled by setting the ALATCH bit.
- Conversion ready enable — Enables the ALERT pin to assert when an ADC conversion has completed and output values are ready to be read through the digital interface. This function is enabled by setting the CNVR bit. The conversion completed events can also be read through the CNVRF bit regardless of the CNVR bit setting.
- Alert comparison on averaged output — Allows the out-of-range threshold value to be compared to the averaged data values produced by the ADC. This helps to additionally remove noise from the output data when compared to the out-of-range threshold to avoid false alerts due to noise. However, the diagnostic will be delayed due to the time needed for averaging. This function is enabled by setting the SLOWALERT bit.
- Alert polarity — Allows the device to invert the active state of the ALERT pin. Note that the ALERT pin is an open-drain output that must be pulled-up by a resistor. The ALERT pin is active-low by default and can be configured for active high function using the APOL control bit.

Other diagnostic functions that are not reported by the ALERT pin but are available by reading the DIAG_ALERT register:

- Math overflow — Indicated by the MATHOF bit, reports when an arithmetic operation has caused an internal register overflow.
- Memory status — Indicated by the MEMSTAT bit, monitors the health of the device non-volatile trim memory. This bit should always read '1' when the device is operating properly.
- Energy overflow — Indicated by the ENERGYOF bit, reports when the ENERGY register has reached an overflow state due to data accumulation.
- Charge overflow — Indicated by the CHARGEOF bit, reports when the CHARGE register has reached an overflow state due to data accumulation.

When the ALERT pin is configured to report the ADC conversion complete event, the ALERT pin becomes a multipurpose reporting output. [Figure 7-6](#) shows an example where the device reports ADC conversion complete events while the INA228-Q1 device is subject to shunt over voltage (over current) event, bus under voltage event, over temperature event and over power-limit event.

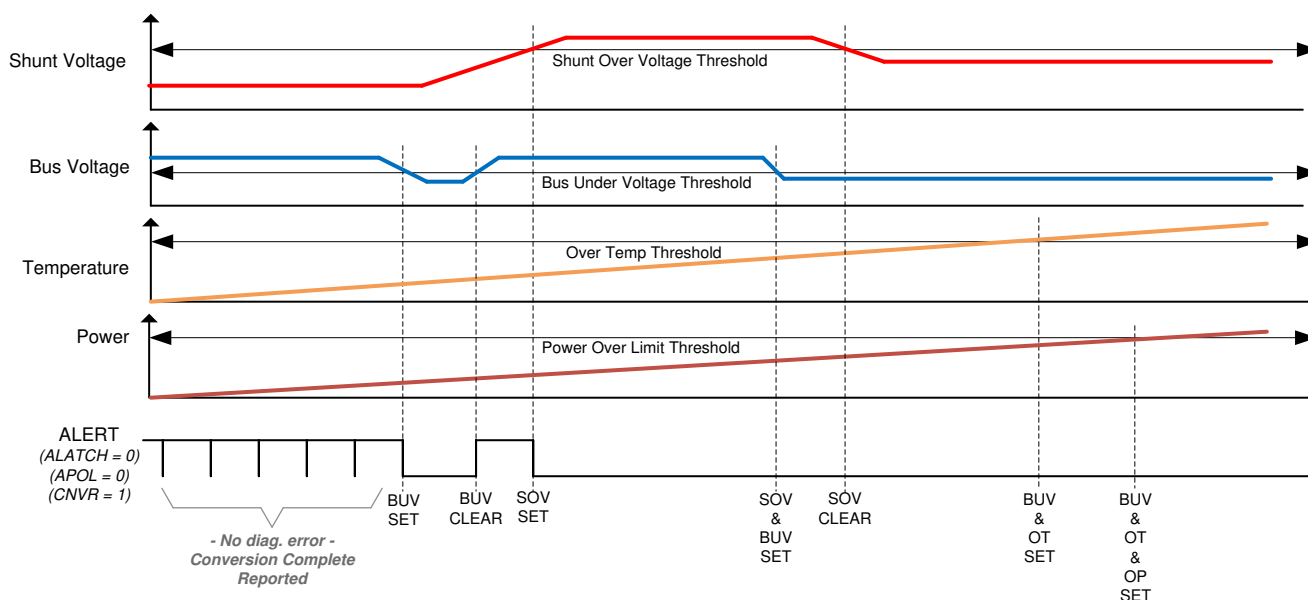


Figure 7-6. Multi-Alert Configuration

7.4 Device Functional Modes

7.4.1 Shutdown Mode

In addition to the two conversion modes (continuous and triggered), the device also has a shutdown mode (selected by the MODE bits in ADC_CONFIG register) that reduces the quiescent current to less than 5 μA and turns off current into the device inputs, reducing the impact of supply drain when the device is not being used. The registers of the device can be written to and read from while the device is in shutdown mode. The device remains in shutdown mode until another triggered conversion command or continuous conversion command is received.

The device can be triggered to perform conversions while in shutdown mode. When a conversion is triggered, the ADC will start conversion; once conversion completes the device will return to the shutdown state.

Note that the shutdown current is specified with an inactive communications bus. Active clock and data activity will increase the current consumption as a function of the bus frequency as shown in [Shutdown \$I_Q\$ vs. Clock Frequency](#).

7.4.2 Power-On Reset

Power-on reset (POR) is asserted when V_S drops below 1.26V (typical) at which all of the registers are reset to their default values. A manual device reset can be initiated by setting the RST bit in the CONFIG register. The default power-up register values are shown in the reset column for each register description. Links to the register descriptions are shown in [Section 7.6](#).

7.5 Programming

7.5.1 I²C Serial Interface

The INA228-Q1 operates only as a secondary device on both the SMBus and I²C interfaces. Connections to the bus are made through the open-drain SDA and SCL lines. The SDA and SCL pins feature integrated spike suppression filters and Schmitt triggers to minimize the effects of input spikes and bus noise. Although the device integrates spike suppression into the digital I/O lines, proper layout techniques help minimize the amount of coupling into the communication lines. This noise introduction could occur from capacitive coupling signal edges between the two communication lines themselves or from other switching noise sources present in the system. Routing traces in parallel with ground in between layers on a printed-circuit board (PCB) typically reduces the effects of coupling between the communication lines. Shielded communication lines reduce the possibility of unintended noise coupling into the digital I/O lines that could be incorrectly interpreted as start or stop commands.

The INA228-Q1 supports the transmission protocol for fast mode (1 kHz to 400 kHz) and high-speed mode (1 kHz to 2.94 MHz). All data bytes are transmitted most significant byte first and follow the SMBus 3.0 transfer protocol.

To communicate with the INA228-Q1, the main device must first address secondary devices through a secondary device address byte. The secondary device address byte consists of seven address bits and a direction bit that indicates whether the action is to be a read or write operation.

The device has two address pins, A0 and A1. [Table 7-2](#) lists the pin logic levels for each of the 16 possible addresses. The device samples the state of pins A0 and A1 on every bus communication. Establish the pin states before any activity on the interface occurs. When connecting the SDA pin to either A0 or A1 to set the device address, additional hold time of 100 ns is needed on the MSB of the I²C address to insure correct device addressing.

Table 7-2. Address Pins and Secondary Device Addresses

| A1 | A0 | Secondary Device Address |
|-----|-----|--------------------------|
| GND | GND | 1000000 |
| GND | VS | 1000001 |
| GND | SDA | 1000010 |
| GND | SCL | 1000011 |
| VS | GND | 1000100 |
| VS | VS | 1000101 |
| VS | SDA | 1000110 |
| VS | SCL | 1000111 |
| SDA | GND | 1001000 |
| SDA | VS | 1001001 |
| SDA | SDA | 1001010 |
| SDA | SCL | 1001011 |
| SCL | GND | 1001100 |
| SCL | VS | 1001101 |
| SCL | SDA | 1001110 |
| SCL | SCL | 1001111 |

7.5.1.1 Writing to and Reading Through the I²C Serial Interface

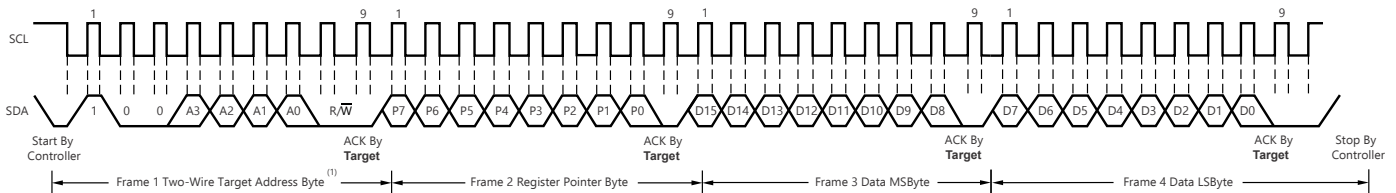
Accessing a specific register on the INA228-Q1 is accomplished by writing the appropriate value to the register pointer. Refer to [Section 7.6](#) for a complete list of registers and corresponding addresses. The value for the register pointer (as shown in [Figure 7-9](#)) is the first byte transferred after the secondary device address byte with the R/W bit low. Every write operation to the device requires a value for the register pointer.

Writing to a register begins with the first byte transmitted by the main device. This byte is the secondary device address, with the R/W bit low. The device then acknowledges receipt of a valid address. The next byte transmitted by the main device is the address of the register to be accessed. This register address value updates the register pointer to the desired internal device register. The next two bytes are written to the register addressed by the register pointer. The device acknowledges receipt of each data byte. The main device may terminate data transfer by generating a start or stop condition.

When reading from the device, the last value stored in the register pointer by a write operation determines which register is read during a read operation. To change the register pointer for a read operation, a new value must be written to the register pointer. This write is accomplished by issuing a secondary device address byte with the R/W bit low, followed by the register pointer byte. No additional data are required. The main device then generates a start condition and sends the address byte for the secondary device with the R/W bit high to initiate the read command. The next byte is transmitted by the secondary device and is the most significant byte of the register indicated by the register pointer. This byte is followed by an *Acknowledge* from the main device; then the secondary device transmits the least significant byte. The main device may or may not acknowledge receipt of the second data byte. The main device may terminate data transfer by generating a *Not-Acknowledge* after receiving any data byte, or generating a start or stop condition. If repeated reads from the same register are desired, it is not necessary to continually send the register pointer bytes; the device retains the register pointer value until it is changed by the next write operation.

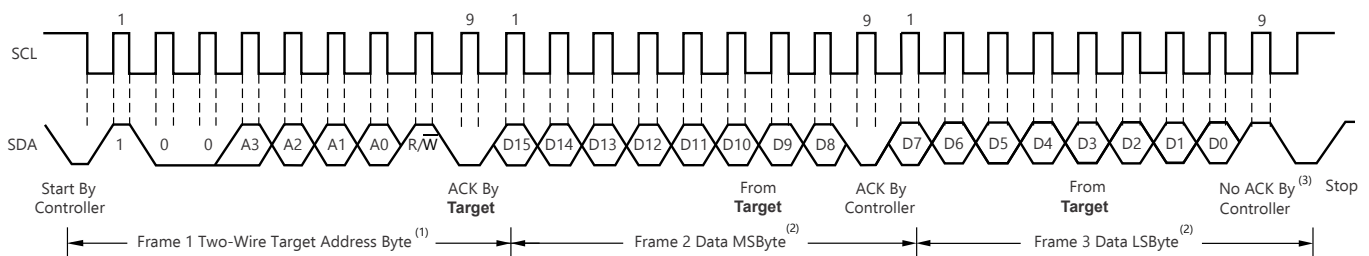
Figure 7-7 shows the write operation timing diagram. Figure 7-8 shows the read operation timing diagram. These diagrams are shown for reading/writing to 16 bit registers. Registers with a higher number of bytes will behave similarly.

Register bytes are sent most-significant byte first, followed by the least significant byte.



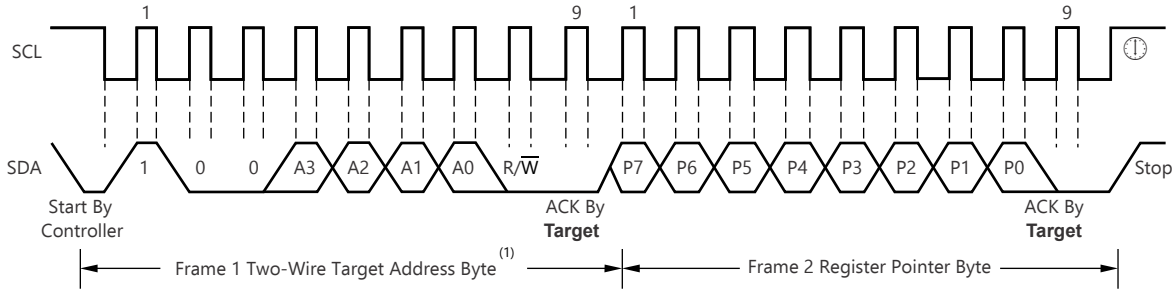
- The value of the Secondary Device Address byte is determined by the settings of the A0 and A1 pins. Refer to [Table 7-2](#).
- The device does not support packet error checking (PEC) or perform clock stretching.

Figure 7-7. Timing Diagram for Write Word Format



- The value of the Secondary Device Address byte is determined by the settings of the A0 and A1 pins. Refer to [Table 7-2](#).
- Read data is from the last register pointer location. If a new register is desired, the register pointer must be updated. See [Figure 7-9](#).
- ACK by the main device can also be sent.
- The device does not support packet error checking (PEC) or perform clock stretching.

Figure 7-8. Timing Diagram for Read Word Format



A. The value of the Secondary Device Address Byte is determined by the settings of the A0 and A1 pins. Refer to [Table 7-2](#).

Figure 7-9. Typical Register Pointer Set

7.5.1.2 High-Speed I²C Mode

When the bus is idle, both the SDA and SCL lines are pulled high by the pullup resistors. The main device generates a start condition followed by a valid serial byte containing high-speed (HS) main device code 00001XXX. This transmission is made in fast (400 kHz) or standard (100 kHz) (F/S) mode at no more than 400 kHz. The device does not acknowledge the HS main device code, but does recognize it and switches its internal filters to support 2.94-MHz operation.

The main device then generates a repeated start condition (a repeated start condition has the same timing as the start condition). After this repeated start condition, the protocol is the same as F/S mode, except that transmission speeds up to 2.94 MHz are allowed. Instead of using a stop condition, use repeated start conditions to maintain the bus in HS-mode. A stop condition ends the HS-mode and switches all the internal filters of the device to support the F/S mode.

7.5.1.3 SMBus Alert Response

The INA228-Q1 is designed to respond to the SMBus Alert Response address. The SMBus Alert Response provides a quick fault identification for simple secondary devices. When an Alert occurs, the main device can broadcast the Alert Response secondary device address (0001 100) with the Read/Write bit set high. Following this Alert Response, any secondary device that generates an alert identifies itself by acknowledging the Alert Response and sending its address on the bus.

The Alert Response can activate several different slave devices simultaneously, similar to the I²C General Call. If more than one slave attempts to respond, bus arbitration rules apply. The losing device does not generate an Acknowledge and continues to hold the Alert line low until that device wins arbitration.

7.6 Register Maps

7.6.1 INA228-Q1 Registers

[Table 7-3](#) lists the INA228-Q1 registers. All register locations not listed in [Table 7-3](#) should be considered as reserved locations and the register contents should not be modified.

Table 7-3. INA228-Q1 Registers

| Address | Acronym | Register Name | Register Size (bits) | Section |
|---------|--------------|-------------------------------|----------------------|--------------------|
| 0h | CONFIG | Configuration | 16 | Go |
| 1h | ADC_CONFIG | ADC Configuration | 16 | Go |
| 2h | SHUNT_CAL | Shunt Calibration | 16 | Go |
| 3h | SHUNT_TEMPCO | Shunt Temperature Coefficient | 16 | Go |
| 4h | VSHUNT | Shunt Voltage Measurement | 24 | Go |
| 5h | VBUS | Bus Voltage Measurement | 24 | Go |
| 6h | DIETEMP | Temperature Measurement | 16 | Go |
| 7h | CURRENT | Current Result | 24 | Go |
| 8h | POWER | Power Result | 24 | Go |
| 9h | ENERGY | Energy Result | 40 | Go |

Table 7-3. INA228-Q1 Registers (continued)

| Address | Acronym | Register Name | Register Size (bits) | Section |
|---------|-----------------|----------------------------------|----------------------|--------------------|
| Ah | CHARGE | Charge Result | 40 | Go |
| Bh | DIAG_ALERT | Diagnostic Flags and Alert | 16 | Go |
| Ch | SOVL | Shunt Overvoltage Threshold | 16 | Go |
| Dh | SUVL | Shunt Undervoltage Threshold | 16 | Go |
| Eh | BOVL | Bus Overvoltage Threshold | 16 | Go |
| Fh | BUVL | Bus Undervoltage Threshold | 16 | Go |
| 10h | TEMP_LIMIT | Temperature Over-Limit Threshold | 16 | Go |
| 11h | PWR_LIMIT | Power Over-Limit Threshold | 16 | Go |
| 3Eh | MANUFACTURER_ID | Manufacturer ID | 16 | Go |
| 3Fh | DEVICE_ID | Device ID | 16 | Go |

Complex bit access types are encoded to fit into small table cells. [Table 7-4](#) shows the codes that are used for access types in this section.

Table 7-4. INA228-Q1 Access Type Codes

| Access Type | Code | Description |
|------------------------|------|--|
| Read Type | | |
| R | R | Read |
| Write Type | | |
| W | W | Write |
| Reset or Default Value | | |
| -n | | Value after reset or the default value |

7.6.1.1 Configuration (CONFIG) Register (Address = 0h) [reset = 0h]

The CONFIG register is shown in [Table 7-5](#).

Return to the [Summary Table](#).

Table 7-5. CONFIG Register Field Descriptions

| Bit | Field | Type | Reset | Description |
|------|----------|------|-------|--|
| 15 | RST | R/W | 0h | Reset Bit. Setting this bit to '1' generates a system reset that is the same as power-on reset. Resets all registers to default values. 0h = Normal Operation 1h = System Reset sets registers to default values This bit self-clears. |
| 14 | RSTACC | R/W | 0h | Resets the contents of accumulation registers ENERGY and CHARGE to 0 0h = Normal Operation 1h = Clears registers to default values for ENERGY and CHARGE registers |
| 13-6 | CONVDLY | R/W | 0h | Sets the Delay for initial ADC conversion in steps of 2 ms. 0h = 0 s 1h = 2 ms FFh = 510 ms |
| 5 | TEMPCOMP | R/W | 0h | Enables temperature compensation of an external shunt 0h = Shunt Temperature Compensation Disabled 1h = Shunt Temperature Compensation Enabled |

Table 7-5. CONFIG Register Field Descriptions (continued)

| Bit | Field | Type | Reset | Description |
|-----|----------|------|-------|---|
| 4 | ADCRANGE | R/W | 0h | Shunt full scale range selection across IN+ and IN-. 0h = ± 163.84 mV 1h = ± 40.96 mV |
| 3-0 | RESERVED | R | 0h | Reserved. Always reads 0. |

7.6.1.2 ADC Configuration (ADC_CONFIG) Register (Address = 1h) [reset = FB68h]

The ADC_CONFIG register is shown in [Table 7-6](#).

Return to the [Summary Table](#).

Table 7-6. ADC_CONFIG Register Field Descriptions

| Bit | Field | Type | Reset | Description |
|-------|--------|------|-------|---|
| 15-12 | MODE | R/W | Fh | <p>The user can set the MODE bits for continuous or triggered mode on bus voltage, shunt voltage or temperature measurement.</p> <p>0h = Shutdown</p> <p>1h = Triggered bus voltage, single shot</p> <p>2h = Triggered shunt voltage, single shot</p> <p>3h = Triggered shunt voltage and bus voltage, single shot</p> <p>4h = Triggered temperature, single shot</p> <p>5h = Triggered temperature and bus voltage, single shot</p> <p>6h = Triggered temperature and shunt voltage, single shot</p> <p>7h = Triggered bus voltage, shunt voltage and temperature, single shot</p> <p>8h = Shutdown</p> <p>9h = Continuous bus voltage only</p> <p>Ah = Continuous shunt voltage only</p> <p>Bh = Continuous shunt and bus voltage</p> <p>Ch = Continuous temperature only</p> <p>Dh = Continuous bus voltage and temperature</p> <p>Eh = Continuous temperature and shunt voltage</p> <p>Fh = Continuous bus voltage, shunt voltage and temperature</p> |
| 11-9 | VBUSCT | R/W | 5h | <p>Sets the conversion time of the bus voltage measurement:</p> <p>0h = 50 μs</p> <p>1h = 84 μs</p> <p>2h = 150 μs</p> <p>3h = 280 μs</p> <p>4h = 540 μs</p> <p>5h = 1052 μs</p> <p>6h = 2074 μs</p> <p>7h = 4120 μs</p> |
| 8-6 | VSHCT | R/W | 5h | <p>Sets the conversion time of the shunt voltage measurement:</p> <p>0h = 50 μs</p> <p>1h = 84 μs</p> <p>2h = 150 μs</p> <p>3h = 280 μs</p> <p>4h = 540 μs</p> <p>5h = 1052 μs</p> <p>6h = 2074 μs</p> <p>7h = 4120 μs</p> |
| 5-3 | VTCT | R/W | 5h | <p>Sets the conversion time of the temperature measurement:</p> <p>0h = 50 μs</p> <p>1h = 84 μs</p> <p>2h = 150 μs</p> <p>3h = 280 μs</p> <p>4h = 540 μs</p> <p>5h = 1052 μs</p> <p>6h = 2074 μs</p> <p>7h = 4120 μs</p> |

Table 7-6. ADC_CONFIG Register Field Descriptions (continued)

| Bit | Field | Type | Reset | Description |
|-----|-------|------|-------|---|
| 2-0 | AVG | R/W | 0h | Selects ADC sample averaging count. The averaging setting applies to all active inputs. When >0h, the output registers are updated after the averaging has completed. 0h = 1 1h = 4 2h = 16 3h = 64 4h = 128 5h = 256 6h = 512 7h = 1024 |

7.6.1.3 Shunt Calibration (SHUNT_CAL) Register (Address = 2h) [reset = 1000h]

The SHUNT_CAL register is shown in [Table 7-7](#).

Return to the [Summary Table](#).

Table 7-7. SHUNT_CAL Register Field Descriptions

| Bit | Field | Type | Reset | Description |
|------|-----------|------|-------|--|
| 15 | RESERVED | R | 0h | Reserved. Always reads 0. |
| 14-0 | SHUNT_CAL | R/W | 1000h | The register provides the device with a conversion constant value that represents shunt resistance used to calculate current value in Amperes. This also sets the resolution for the CURRENT register. Value calculation under Section 8.1.2 . |

7.6.1.4 Shunt Temperature Coefficient (SHUNT_TEMPCO) Register (Address = 3h) [reset = 0h]

The SHUNT_TEMPCO register is shown in [Table 7-8](#).

Return to the [Summary Table](#).

Table 7-8. SHUNT_TEMPCO Register Field Descriptions

| Bit | Field | Type | Reset | Description |
|-------|----------|------|-------|--|
| 15-14 | RESERVED | R | 0h | Reserved. Always reads 0. |
| 13-0 | TEMPCO | R/W | 0h | Temperature coefficient of the shunt for temperature compensation correction. Calculated with respect to +25 °C. The full scale value of the register is 16383 ppm/°C. The 16 bit register provides a resolution of 1ppm/°C/LSB 0h = 0 ppm/°C 3FFFh = 16383 ppm/°C |

7.6.1.5 Shunt Voltage Measurement (VSHUNT) Register (Address = 4h) [reset = 0h]

The VSHUNT register is shown in [Table 7-9](#).

Return to the [Summary Table](#).

Table 7-9. VSHUNT Register Field Descriptions

| Bit | Field | Type | Reset | Description |
|------|----------|------|-------|---|
| 23-4 | VSHUNT | R | 0h | Differential voltage measured across the shunt output. Two's complement value. Conversion factor: 312.5 nV/LSB when ADCRANGE = 0 78.125 nV/LSB when ADCRANGE = 1 |
| 3-0 | RESERVED | R | 0h | Reserved. Always reads 0. |

7.6.1.6 Bus Voltage Measurement (VBUS) Register (Address = 5h) [reset = 0h]

The VBUS register is shown in [Table 7-10](#).

Return to the [Summary Table](#).

Table 7-10. VBUS Register Field Descriptions

| Bit | Field | Type | Reset | Description |
|------|----------|------|-------|---|
| 23-4 | VBUS | R | 0h | Bus voltage output. Two's complement value, however always positive. Conversion factor: 195.3125 μ V/LSB |
| 3-0 | RESERVED | R | 0h | Reserved. Always reads 0. |

7.6.1.7 Temperature Measurement (DIETEMP) Register (Address = 6h) [reset = 0h]

The DIETEMP register is shown in [Table 7-11](#).

Return to the [Summary Table](#).

Table 7-11. DIETEMP Register Field Descriptions

| Bit | Field | Type | Reset | Description |
|------|---------|------|-------|---|
| 15-0 | DIETEMP | R | 0h | Internal die temperature measurement. Two's complement value. Conversion factor: 7.8125 m°C/LSB |

7.6.1.8 Current Result (CURRENT) Register (Address = 7h) [reset = 0h]

The CURRENT register is shown in [Table 7-12](#).

Return to the [Summary Table](#).

Table 7-12. CURRENT Register Field Descriptions

| Bit | Field | Type | Reset | Description |
|------|----------|------|-------|---|
| 23-4 | CURRENT | R | 0h | Calculated current output in Amperes. Two's complement value. Value description under Section 8.1.2 . |
| 3-0 | RESERVED | R | 0h | Reserved. Always reads 0. |

7.6.1.9 Power Result (POWER) Register (Address = 8h) [reset = 0h]

The POWER register is shown in [Table 7-13](#).

Return to the [Summary Table](#).

Table 7-13. POWER Register Field Descriptions

| Bit | Field | Type | Reset | Description |
|------|-------|------|-------|--|
| 23-0 | POWER | R | 0h | Calculated power output. Output value in watts. Unsigned representation. Positive value. Value description under Section 8.1.2 . |

7.6.1.10 Energy Result (ENERGY) Register (Address = 9h) [reset = 0h]

The ENERGY register is shown in [Table 7-14](#).

Return to the [Summary Table](#).

Table 7-14. ENERGY Register Field Descriptions

| Bit | Field | Type | Reset | Description |
|------|--------|------|-------|---|
| 39-0 | ENERGY | R | 0h | Calculated energy output. Output value is in Joules. Unsigned representation. Positive value. Value description under Section 8.1.2 . |

7.6.1.11 Charge Result (CHARGE) Register (Address = Ah) [reset = 0h]

The CHARGE register is shown in [Table 7-15](#).

Return to the [Summary Table](#).

Table 7-15. CHARGE Register Field Descriptions

| Bit | Field | Type | Reset | Description |
|------|--------|------|-------|--|
| 39-0 | CHARGE | R | 0h | Calculated charge output. Output value is in Coulombs. Two's complement value. Value description under Section 8.1.2 . |

7.6.1.12 Diagnostic Flags and Alert (DIAG_ALERT) Register (Address = Bh) [reset = 0001h]

The DIAG_ALERT register is shown in [Table 7-16](#).

Return to the [Summary Table](#).

Table 7-16. DIAG_ALERT Register Field Descriptions

| Bit | Field | Type | Reset | Description |
|-----|-----------|------|-------|--|
| 15 | ALATCH | R/W | 0h | When the Alert Latch Enable bit is set to Transparent mode, the Alert pin and Flag bit reset to the idle state when the fault has been cleared. When the Alert Latch Enable bit is set to Latch mode, the Alert pin and Alert Flag bit remain active following a fault until the DIAG_ALERT Register has been read. 0h = Transparent 1h = Latched |
| 14 | CNVR | R/W | 0h | Setting this bit high configures the Alert pin to be asserted when the Conversion Ready Flag (bit 1) is asserted, indicating that a conversion cycle has completed. 0h = Disable conversion ready flag on ALERT pin 1h = Enables conversion ready flag on ALERT pin |
| 13 | SLOWALERT | R/W | 0h | When enabled, ALERT function is asserted on the completed averaged value. This gives the flexibility to delay the ALERT until after the averaged value. 0h = ALERT comparison on non-averaged (ADC) value 1h = ALERT comparison on averaged value |
| 12 | APOL | R/W | 0h | Alert Polarity bit sets the Alert pin polarity. 0h = Normal (Active-low, open-drain) 1h = Inverted (active-high, open-drain) |
| 11 | ENERGYOF | R | 0h | This bit indicates the health of the ENERGY register. If the 40 bit ENERGY register has overflowed this bit is set to 1. 0h = Normal 1h = Overflow Clears when the ENERGY register is read. |

Table 7-16. DIAG_ALRT Register Field Descriptions (continued)

| Bit | Field | Type | Reset | Description |
|-----|-----------|------|-------|---|
| 10 | CHARGE_OF | R | 0h | This bit indicates the health of the CHARGE register. If the 40 bit CHARGE register has overflowed this bit is set to 1. 0h = Normal 1h = Overflow Clears when the CHARGE register is read. |
| 9 | MATH_OF | R | 0h | This bit is set to 1 if an arithmetic operation resulted in an overflow error. It indicates that current and power data may be invalid. 0h = Normal 1h = Overflow Must be manually cleared by triggering another conversion or by clearing the accumulators with the RSTACC bit. |
| 8 | RESERVED | R | 0h | Reserved. Always read 0. |
| 7 | TEMPOL | R/W | 0h | This bit is set to 1 if the temperature measurement exceeds the threshold limit in the temperature over-limit register. 0h = Normal 1h = Over Temp Event When ALATCH =1 this bit is cleared by reading this register. |
| 6 | SHNTOL | R/W | 0h | This bit is set to 1 if the shunt voltage measurement exceeds the threshold limit in the shunt over-limit register. 0h = Normal 1h = Over Shunt Voltage Event When ALATCH =1 this bit is cleared by reading this register. |
| 5 | SHNTUL | R/W | 0h | This bit is set to 1 if the shunt voltage measurement falls below the threshold limit in the shunt under-limit register. 0h = Normal 1h = Under Shunt Voltage Event When ALATCH =1 this bit is cleared by reading this register. |
| 4 | BUSOL | R/W | 0h | This bit is set to 1 if the bus voltage measurement exceeds the threshold limit in the bus over-limit register. 0h = Normal 1h = Bus Over-Limit Event When ALATCH =1 this bit is cleared by reading this register. |
| 3 | BUSUL | R/W | 0h | This bit is set to 1 if the bus voltage measurement falls below the threshold limit in the bus under-limit register. 0h = Normal 1h = Bus Under-Limit Event When ALATCH =1 this bit is cleared by reading this register. |
| 2 | POL | R/W | 0h | This bit is set to 1 if the power measurement exceeds the threshold limit in the power limit register. 0h = Normal 1h = Power Over-Limit Event When ALATCH =1 this bit is cleared by reading this register. |
| 1 | CNVRF | R/W | 0h | This bit is set to 1 if the conversion is completed. 0h = Normal 1h = Conversion is complete When ALATCH =1 this bit is cleared by reading this register or starting a new triggered conversion. |
| 0 | MEMSTAT | R/W | 1h | This bit is set to 0 if a checksum error is detected in the device trim memory space. 0h = Memory Checksum Error 1h = Normal Operation |

7.6.1.13 Shunt Overvoltage Threshold (SOVL) Register (Address = Ch) [reset = 7FFFh]

If negative values are entered in this register, then a shunt voltage measurement of 0 V will trip this alarm. When using negative values for the shunt under and overvoltage thresholds be aware that the over voltage threshold must be set to the larger (that is, less negative) of the two values. The SOVL register is shown in [Table 7-17](#).

Return to the [Summary Table](#).

Table 7-17. SOVL Register Field Descriptions

| Bit | Field | Type | Reset | Description |
|------|-------|------|-------|--|
| 15-0 | SOVL | R/W | 7FFFh | Sets the threshold for comparison of the value to detect Shunt Overvoltage (overcurrent protection). Two's complement value. Conversion Factor: 5 μ V/LSB when ADCRANGE = 0 1.25 μ V/LSB when ADCRANGE = 1. |

7.6.1.14 Shunt Undervoltage Threshold (SUVL) Register (Address = Dh) [reset = 8000h]

The SUVL register is shown in [Table 7-18](#).

Return to the [Summary Table](#).

Table 7-18. SUVL Register Field Descriptions

| Bit | Field | Type | Reset | Description |
|------|-------|------|-------|--|
| 15-0 | SUVL | R/W | 8000h | Sets the threshold for comparison of the value to detect Shunt Undervoltage (undercurrent protection). Two's complement value. Conversion Factor: 5 μ V/LSB when ADCRANGE = 0 1.25 μ V/LSB when ADCRANGE = 1. |

7.6.1.15 Bus Overvoltage Threshold (BOVL) Register (Address = Eh) [reset = 7FFFh]

The BOVL register is shown in [Table 7-19](#).

Return to the [Summary Table](#).

Table 7-19. BOVL Register Field Descriptions

| Bit | Field | Type | Reset | Description |
|------|----------|------|-------|---|
| 15 | Reserved | R | 0h | Reserved. Always reads 0. |
| 14-0 | BOVL | R/W | 7FFFh | Sets the threshold for comparison of the value to detect Bus Overvoltage (overvoltage protection). Unsigned representation, positive value only. Conversion factor: 3.125 mV/LSB. |

7.6.1.16 Bus Undervoltage Threshold (BUVL) Register (Address = Fh) [reset = 0h]

The BUVL register is shown in [Table 7-20](#).

Return to the [Summary Table](#).

Table 7-20. BUVL Register Field Descriptions

| Bit | Field | Type | Reset | Description |
|------|----------|------|-------|---|
| 15 | Reserved | R | 0h | Reserved. Always reads 0. |
| 14-0 | BUVL | R/W | 0h | Sets the threshold for comparison of the value to detect Bus Undervoltage (undervoltage protection). Unsigned representation, positive value only. Conversion factor: 3.125 mV/LSB. |

7.6.1.17 Temperature Over-Limit Threshold (TEMP_LIMIT) Register (Address = 10h) [reset = 7FFFh]

The TEMP_LIMIT register is shown in [Table 7-21](#).

Return to the [Summary Table](#).

Table 7-21. TEMP_LIMIT Register Field Descriptions

| Bit | Field | Type | Reset | Description |
|------|-------|------|-------|--|
| 15-0 | TOL | R/W | 7FFFh | Sets the threshold for comparison of the value to detect over temperature measurements. Two's complement value. The value entered in this field compares directly against the value from the DIETEMP register to determine if an over temperature condition exists. Conversion factor: 7.8125 m°C/LSB. |

7.6.1.18 Power Over-Limit Threshold (PWR_LIMIT) Register (Address = 11h) [reset = FFFFh]

The PWR_LIMIT register is shown in [Table 7-22](#).

Return to the [Summary Table](#).

Table 7-22. PWR_LIMIT Register Field Descriptions

| Bit | Field | Type | Reset | Description |
|------|-------|------|-------|---|
| 15-0 | POL | R/W | FFFFh | Sets the threshold for comparison of the value to detect power over-limit measurements. Unsigned representation, positive value only. The value entered in this field compares directly against the value from the POWER register to determine if an over power condition exists. Conversion factor: 256 × Power LSB. |

7.6.1.19 Manufacturer ID (MANUFACTURER_ID) Register (Address = 3Eh) [reset = 5449h]

The MANUFACTURER_ID register is shown in [Table 7-23](#).

Return to the [Summary Table](#).

Table 7-23. MANUFACTURER_ID Register Field Descriptions

| Bit | Field | Type | Reset | Description |
|------|--------|------|-------|-------------------------|
| 15-0 | MANFID | R | 5449h | Reads back TI in ASCII. |

7.6.1.20 Device ID (DEVICE_ID) Register (Address = 3Fh) [reset = 2281h]

The DEVICE_ID register is shown in [Table 7-24](#).

Return to the [Summary Table](#).

Table 7-24. DEVICE_ID Register Field Descriptions

| Bit | Field | Type | Reset | Description |
|------|--------|------|-------|--|
| 15-4 | DIEID | R | 228h | Stores the device identification bits. |
| 3-0 | REV_ID | R | 1h | Device revision identification. |

8 Application and Implementation

Note

Information in the following applications sections is not part of the TI component specification, and TI does not warrant its accuracy or completeness. TI's customers are responsible for determining suitability of components for their purposes, as well as validating and testing their design implementation to confirm system functionality.

8.1 Application Information

8.1.1 Device Measurement Range and Resolution

The INA228-Q1 device supports two input ranges for the shunt voltage measurement. The supported full scale differential input across the IN+ and IN– pins can be either ± 163.84 mV or ± 40.96 mV depending on the ADCRANGE bit in CONFIG register. The range for the bus voltage measurement is from 0 V to 85 V. The internal die temperature sensor range extends from -256 °C to $+256$ °C but is limited by the package to -40 °C to 125 °C.

Table 8-1 provides a description of full scale voltage on shunt, bus, and temperature measurements, along with their associated step size.

Table 8-1. ADC Full Scale Values

| PARAMETER | FULL SCALE VALUE | RESOLUTION |
|---------------|--------------------------------|----------------------|
| Shunt voltage | ± 163.84 mV (ADCRANGE = 0) | 312.5 nV/LSB |
| | ± 40.96 mV (ADCRANGE = 1) | 78.125 nV/LSB |
| Bus voltage | 0 V to 85 V | 195.3125 μ V/LSB |
| Temperature | -40 °C to $+125$ °C | 7.8125 m°C/LSB |

The device shunt voltage measurements, bus voltage, and temperature measurements can be read through the VSHUNT, VBUS, and DIETEMP registers, respectively. The digital output in VSHUNT and VBUS registers is 20-bits. The shunt voltage measurement can be positive or negative due to bidirectional currents in the system; therefore the data value in VSHUNT can be positive or negative. The VBUS data value is always positive. The output data can be directly converted into voltage by multiplying the digital value by its respective resolution size. The digital output in the DIETEMP register is 16-bit and can be directly converted to °C by multiplying by the above resolution size. This output value can also be positive or negative.

Furthermore, the device provides the flexibility to report calculated current in Amperes, power in Watts, charge in Coulombs and energy in Joules as described in [Section 8.1.2](#).

8.1.2 Current , Power, Energy, and Charge Calculations

For the INA228-Q1 device to report current values in Ampere units, a constant conversion value must be written in the SHUNT_CAL register that is dependent on the maximum measured current and the shunt resistance used in the application. The SHUNT_CAL register is calculated based on [Equation 2](#). The term CURRENT_LSB is the LSB step size for the CURRENT register where the current in Amperes is stored. The value of CURRENT_LSB is based on the maximum expected current as shown in [Equation 3](#), and it directly defines the resolution of the CURRENT register. While the smallest CURRENT_LSB value yields highest resolution, it is common to select a higher round-number (no higher than 8x) value for the CURRENT_LSB in order to simplify the conversion of the CURRENT.

The R_{SHUNT} term is the resistance value of the external shunt used to develop the differential voltage across the IN+ and IN– pins. Use [Equation 2](#) for ADCRANGE = 0. For ADCRANGE = 1, the value of SHUNT_CAL must be multiplied by 4.

$$SHUNT_CAL = 13107.2 \times 10^6 \times CURRENT_LSB \times R_{SHUNT} \quad (2)$$

where

- 13107.2×10^6 is an internal fixed value used to ensure scaling is maintained properly.
- the value of SHUNT_CAL must be multiplied by 4 for ADCRANGE = 1.

$$CURRENT_LSB = \frac{\text{Maximum Expected Current}}{2^{19}} \quad (3)$$

Note that the current is calculated following a shunt voltage measurement based on the value set in the SHUNT_CAL register. If the value loaded into the SHUNT_CAL register is zero, the current value reported through the CURRENT register is also zero.

After programming the SHUNT_CAL register with the calculated value, the measured current in Amperes can be read from the CURRENT register. The final value is scaled by CURRENT_LSB and calculated in [Equation 4](#):

$$\text{Current [A]} = CURRENT_LSB \times CURRENT \quad (4)$$

where

- CURRENT is the value read from the CURRENT register

The power value can be read from the POWER register as a 24-bit value and converted to Watts by using [Equation 5](#):

$$\text{Power [W]} = 3.2 \times CURRENT_LSB \times POWER \quad (5)$$

where

- POWER is the value read from the POWER register.
- CURRENT_LSB is the lsb size of the current calculation as defined by [Equation 3](#).

The energy value can be read from the ENERGY register as a 40-bit unsigned value in Joules units. The energy value in Joules is converted by using [Equation 6](#):

$$\text{Energy [J]} = 16 \times 3.2 \times CURRENT_LSB \times ENERGY \quad (6)$$

The charge value can be read from the CHARGE register as a 40-bit, two's complement value in Coulombs. The charge value in Coulomb is converted by using [Equation 7](#):

$$\text{Charge [C]} = \text{CURRENT_LSB} \times \text{CHARGE} \quad (7)$$

where

- CHARGE is the value read from the CHARGE register.
- CURRENT_LSB is the lsb size of the current calculation as described in [Equation 3](#).

Upon overflow, the ENERGY and CHARGE registers will roll over and start from zero. The register values can also be reset at any time by setting the RSTACC bit in the CONFIG register.

For a design example using these equations refer to [Section 8.2.2](#).

8.1.3 ADC Output Data Rate and Noise Performance

The INA228-Q1 noise performance and effective resolution depend on the ADC conversion time. The device also supports digital averaging which can further help decrease digital noise. The flexibility of the device to select ADC conversion time and data averaging offers increased signal-to-noise ratio and achieves the highest dynamic range with lowest offset. The profile of the noise at lower signals levels is dominated by the system noise that is comprised mainly of 1/f noise or white noise. The INA228-Q1 effective resolution of the ADC can be increased by increasing the conversion time and increasing the number of averages.

[Table 8-2](#) summarizes the output data rate conversion settings supported by the device. The fastest conversion setting is 50 μs . Typical noise-free resolution is represented as Effective Number of Bits (ENOB) based on device measured data. The ENOB is calculated based on noise peak-to-peak values, which assures that full noise distribution is taken into consideration.

Table 8-2. INA228-Q1 Noise Performance

| ADC CONVERSION TIME PERIOD [μs] | OUTPUT SAMPLE AVERAGING [SAMPLES] | OUTPUT SAMPLE PERIOD [ms] | NOISE-FREE ENOB ($\pm 163.84\text{-mV}$) (ADCRANGE = 0) | NOISE-FREE ENOB ($\pm 40.96\text{-mV}$) (ADCRANGE = 1) |
|--|-----------------------------------|---------------------------|---|--|
| 50 | 1 | 0.05 | 12.4 | 10.4 |
| 84 | | 0.084 | 12.6 | 10.4 |
| 150 | | 0.15 | 13.3 | 11.4 |
| 280 | | 0.28 | 13.8 | 11.8 |
| 540 | | 0.54 | 14.2 | 12.4 |
| 1052 | | 1.052 | 14.5 | 12.6 |
| 2074 | | 2.074 | 15.3 | 13.3 |
| 4120 | | 4.12 | 16.0 | 13.8 |
| 50 | | 4 | 0.2 | 13.1 |
| 84 | 0.336 | | 13.9 | 11.8 |
| 150 | 0.6 | | 14.3 | 12.2 |
| 280 | 1.12 | | 14.9 | 12.8 |
| 540 | 2.16 | | 15.1 | 13.0 |
| 1052 | 4.208 | | 15.8 | 13.8 |
| 2074 | 8.296 | | 16.1 | 14.3 |
| 4120 | 16.48 | | 16.5 | 14.4 |

Table 8-2. INA228-Q1 Noise Performance (continued)

| ADC CONVERSION TIME PERIOD [μs] | OUTPUT SAMPLE AVERAGING [SAMPLES] | OUTPUT SAMPLE PERIOD [ms] | NOISE-FREE ENOB (±163.84-mV) (ADCRANGE = 0) | NOISE-FREE ENOB (±40.96-mV) (ADCRANGE = 1) |
|---------------------------------|-----------------------------------|---------------------------|---|--|
| 50 | 16 | 0.8 | 13.9 | 12.3 |
| 84 | | 1.344 | 14.7 | 12.9 |
| 150 | | 2.4 | 15.1 | 13.0 |
| 280 | | 4.48 | 15.8 | 13.7 |
| 540 | | 8.64 | 16.3 | 14.3 |
| 1052 | | 16.832 | 16.5 | 14.6 |
| 2074 | | 33.184 | 17.1 | 15.3 |
| 4120 | | 65.92 | 17.7 | 15.9 |
| 50 | 64 | 3.2 | 15.0 | 13.3 |
| 84 | | 5.376 | 15.9 | 13.8 |
| 150 | | 9.6 | 16.4 | 14.4 |
| 280 | | 17.92 | 16.9 | 14.5 |
| 540 | | 34.56 | 17.7 | 15.3 |
| 1052 | | 67.328 | 17.7 | 15.9 |
| 2074 | | 132.736 | 18.1 | 16.3 |
| 4120 | | 263.68 | 18.7 | 16.5 |
| 50 | 128 | 6.4 | 15.5 | 13.4 |
| 84 | | 10.752 | 16.3 | 14.3 |
| 150 | | 19.2 | 16.9 | 14.7 |
| 280 | | 35.84 | 17.1 | 15.2 |
| 540 | | 69.12 | 18.1 | 15.9 |
| 1052 | | 134.656 | 18.1 | 16.4 |
| 2074 | | 265.472 | 18.7 | 16.9 |
| 4120 | | 527.36 | 19.7 | 17.1 |
| 50 | 256 | 12.8 | 15.5 | 14.4 |
| 84 | | 21.504 | 16.7 | 14.7 |
| 150 | | 38.4 | 17.4 | 15.3 |
| 280 | | 71.68 | 17.7 | 15.7 |
| 540 | | 138.24 | 18.7 | 16.1 |
| 1052 | | 269.312 | 18.7 | 16.7 |
| 2074 | | 530.944 | 19.7 | 17.4 |
| 4120 | | 1054.72 | 19.7 | 17.7 |
| 50 | 512 | 25.6 | 16.7 | 14.3 |
| 84 | | 43 | 17.4 | 15.4 |
| 150 | | 76.8 | 17.7 | 15.5 |
| 280 | | 143.36 | 18.7 | 16.3 |
| 540 | | 276.48 | 18.7 | 16.5 |
| 1052 | | 538.624 | 19.7 | 17.4 |
| 2074 | | 1061.888 | 19.7 | 17.7 |
| 4120 | | 2109.44 | 19.7 | 18.7 |

Table 8-2. INA228-Q1 Noise Performance (continued)

| ADC CONVERSION TIME PERIOD [μ s] | OUTPUT SAMPLE AVERAGING [SAMPLES] | OUTPUT SAMPLE PERIOD [ms] | NOISE-FREE ENOB (± 163.84 -mV) (ADCRANGE = 0) | NOISE-FREE ENOB (± 40.96 -mV) (ADCRANGE = 1) |
|---------------------------------------|-----------------------------------|---------------------------|--|---|
| 50 | 1024 | 51.2 | 17.1 | 15.0 |
| 84 | | 86.016 | 17.7 | 15.9 |
| 150 | | 153.6 | 18.1 | 16.0 |
| 280 | | 286.72 | 18.7 | 16.9 |
| 540 | | 552.96 | 19.7 | 17.1 |
| 1052 | | 1077.248 | 19.7 | 17.7 |
| 2074 | | 2123.776 | 19.7 | 18.1 |
| 4120 | | 4218.88 | 20 | 18.7 |

8.1.4 Input Filtering Considerations

As previously discussed, INA228-Q1 offers several options for noise filtering by allowing the user to select the conversion times and number of averages independently in the ADC_CONFIG register. The conversion times can be set independently for the shunt voltage and bus voltage measurements to allow added flexibility in monitoring of the power-supply bus.

The internal ADC has good inherent noise rejection; however, the transients that occur at or very close to the sampling rate harmonics can cause problems. Because these signals are at 1 MHz and higher, they can be managed by incorporating filtering at the input of the device. Filtering high frequency signals enables the use of low-value series resistors on the filter with negligible effects on measurement accuracy. For best results, filter using the lowest possible series resistance (typically 100 Ω or less) and a ceramic capacitor. Recommended values for this capacitor are between 0.1 μ F and 1 μ F. [Figure 8-1](#) shows the device with a filter added at the input.

Overload conditions are another consideration for the device inputs. The device inputs are specified to tolerate ± 40 V differential across the IN+ and IN– pins. A large differential scenario might be a short to ground on the load side of the shunt. This type of event can result in full power-supply voltage across the shunt (as long as the power supply or energy storage capacitors support it). Removing a short to ground can result in inductive kickbacks that could exceed the 40-V differential or 85-V common-mode absolute maximum rating of the device. Inductive kickback voltages are best controlled by Zener-type transient-absorbing devices (commonly called *transzorbs*) combined with sufficient energy storage capacitance. See the [Transient Robustness for Current Shunt Monitors](#) reference design which describes a high-side current shunt monitor used to measure the voltage developed across a current-sensing resistor when current passes through it.

In applications that do not have large energy storage, electrolytic capacitors on one or both sides of the shunt, an input overstress condition may result from an excessive dV/dt of the voltage applied to the input. A hard physical short is the most likely cause of this event. This problem occurs because an excessive dV/dt can activate the ESD protection in the device in systems where large currents are available. Testing demonstrates that the addition of 10- Ω resistors in series with each input of the device sufficiently protects the inputs against this dV/dt failure up to the 40-V maximum differential voltage rating of the device. Selecting these resistors in the range noted has minimal effect on accuracy.

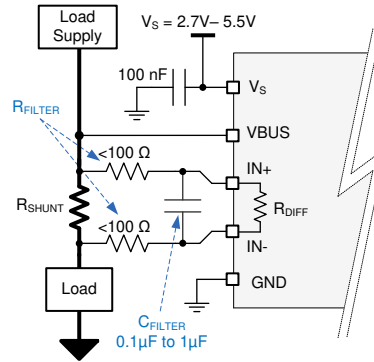


Figure 8-1. Input Filtering

Do not use values greater than 100 ohms for R_{FILTER} . Doing so will degrade gain error and increase non-linearity.

8.2 Typical Application

The low offset voltage and low input bias current of the INA228-Q1 allow accurate monitoring of a wide range of currents. To accurately monitor currents with high resolution, select the value of the shunt resistor so that the resulting sense voltage is close to the maximum allowable differential input voltage range (either ± 163.84 mV or ± 40.96 mV, depending on register settings). The circuit for monitoring currents in a high-side configuration is shown in Figure 8-2.

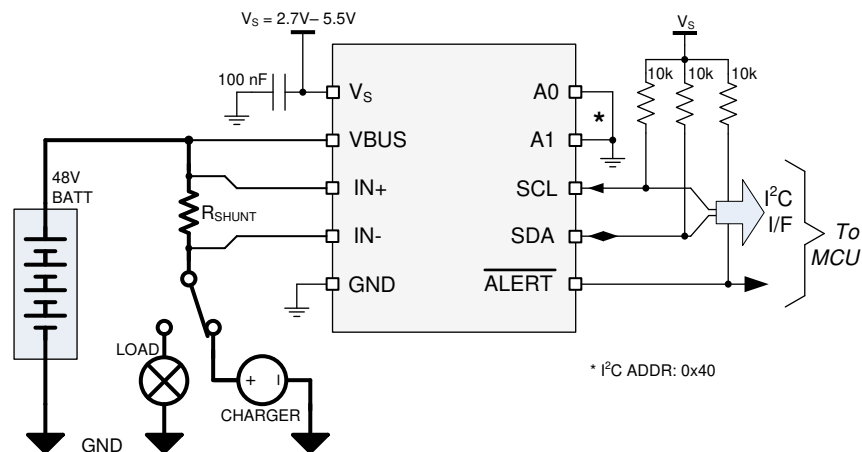


Figure 8-2. INA228-Q1 High-Side Sensing Application Diagram

8.2.1 Design Requirements

The INA228-Q1 measures the voltage developed across a current-sensing resistor (R_{SHUNT}) when current passes through it. The device also measures the bus supply voltage and calculates power when calibrated. It also comes with alert capability, where the alert pin can be programmed to respond to a user-defined event or a conversion ready notification.

The design requirements for the circuit shown in Figure 8-2 are listed in Table 8-3.

Table 8-3. Design Parameters

| DESIGN PARAMETER | EXAMPLE VALUE |
|--|---------------|
| Power-supply voltage (V_S) | 5 V |
| Bus supply rail (V_{CM}) | 48 V |
| Bus supply rail over voltage fault threshold | 52 V |
| Average Current | 6 A |
| Overcurrent fault threshold (I_{MAX}) | 10 A |

Table 8-3. Design Parameters (continued)

| DESIGN PARAMETER | EXAMPLE VALUE |
|--|-----------------|
| ADC Range Selection (V_{SENSE_MAX}) | ± 163.84 mV |
| Temperature | 25 °C |
| Charge Accumulation Period | 1 hour |

8.2.2 Detailed Design Procedure

8.2.2.1 Select the Shunt Resistor

Using values from [Table 8-3](#), the maximum value of the shunt resistor is calculated based on the value of the maximum current to be sensed (I_{MAX}) and the maximum allowable sense voltage (V_{SENSE_MAX}) for the chosen ADC range. When operating at the maximum current, the differential input voltage must not exceed the maximum full scale range of the device, V_{SENSE_MAX} . Using [Equation 8](#) for the given design parameters, the maximum value for R_{SHUNT} is calculated to be 16.38 m Ω . The closest standard resistor value that is smaller than the maximum calculated value is 16.2 m Ω . Also keep in mind that R_{SHUNT} must be able to handle the power dissipated across it in the maximum load condition.

$$R_{SHUNT} < \frac{V_{SENSE_MAX}}{I_{MAX}} \quad (8)$$

8.2.2.2 Configure the Device

The first step to program the INA228-Q1 is to properly set the device and ADC configuration registers. On initial power up the CONFIG and ADC_CONFIG registers are set to the reset values as shown in [Table 7-5](#) and [Table 7-6](#). In this default power on state the device is set to measured on the ± 163.84 mV range with the ADC continuously converting the shunt voltage, bus voltage, and temperature. If the default power up conditions do not meet the design requirements, these registers will need to be set properly after each V_S power cycle event.

8.2.2.3 Program the Shunt Calibration Register

The shunt calibration register needs to be correctly programmed at each V_S power up in order for the device to properly report any result based on current. The first step in properly setting this register is to calculate the LSB value for the current by using [Equation 3](#). Applying this equation with the maximum expected current of 10 A results in an LSB size of 19.0735 μ A. Applying [Equation 2](#) to the Current_LSB and selected value for the shunt resistor results in a shunt calibration register setting of 4050d (FD2h). Failure to set the value of the shunt calibration register will result in a zero value for any result based on current.

8.2.2.4 Set Desired Fault Thresholds

Fault thresholds are set by programming the desired trip threshold into the corresponding fault register. The list of supported fault registers is shown in [Table 7-1](#). Since the fault limit registers are 16 bits in length, the effective LSB size for these registers is 16 times greater than the corresponding 20 bit LSB used in calculating returned values for bus voltage and current.

An over current threshold is set by programming the shunt over voltage limit register (SOVL). The voltage that needs to be programmed into this register is calculated by multiplying the over current threshold by the shunt resistor. In this example the over current threshold is 10 A and the value of the current sense resistor is 16.2 m Ω , which give a shunt voltage limit of 162 mV. Once the shunt voltage limit is known, the value for the shunt over voltage limit register is calculated by dividing the shunt voltage limit by the shunt voltage LSB size.

In this example, the calculated value of the shunt over voltage limit register is $162 \text{ mV} / (312.5 \text{ nV} \times 16) = 32400d$ (7E90h).

An over voltage fault threshold on the bus voltage is set by programming the bus over voltage limit register (BOVL). In this example the desired over voltage threshold is 52 V. The value that needs to be programmed into this register is calculated by dividing the target threshold voltage by the bus voltage fault limit LSB value of 3.125 mV. For this example, the target value for the BOVL register is $52 \text{ V} / (195.3125 \text{ } \mu\text{V} \times 16) = 16640d$ (4100h).

When setting the power over-limit value, the LSB size used to calculate the value needed in the limit registers will be 256 times greater than the power LSB. This is because the power register is a 24 bits in length while the power fault limit register is 16 bits.

Values stored in the alert limit registers are set to the default values after V_S power cycle events and need to be reprogrammed each time power is applied.

8.2.2.5 Calculate Returned Values

Parametric values are calculated by multiplying the returned value by the LSB value. [Table 8-4](#) below shows the returned values for this application example assuming the design requirements shown in [Table 8-3](#).

Table 8-4. Calculating Returned Values

| PARAMETER | Returned Value | LSB Value | Calculated Value |
|------------------------------------|----------------|---|-----------------------|
| Shunt voltage (V) | 311040d | 312.5 nV/LSB | 0.0972 V |
| Current (A) | 314572d | $10\text{ A} / 2^{19} = 19.073486\ \mu\text{A/LSB}$ | 6 A |
| Bus voltage (V) | 245760d | 195.3125 $\mu\text{V/LSB}$ | 48 V |
| Power (W) | 4718604d | Current LSB x 3.2 = 61.035156 $\mu\text{W/LSB}$ | 288 W |
| Energy (J) | 1061683200d | Power LSB x 16 = 976.5625 $\mu\text{J/LSB}$ | 1036800 J |
| Charge (C) | 1132462080d | Current LSB = 19.073486 $\mu\text{C/LSB}$ | 21600 C |
| Temperature ($^{\circ}\text{C}$) | 3200d | 7.8125 $\text{m}^{\circ}\text{C/LSB}$ | 25 $^{\circ}\text{C}$ |

Shunt Voltage, Current, Bus Voltage (positive only), Charge, and Temperature return values in two's complement format. In two's complement format a negative value in binary is represented by having a 1 in the most significant bit of the returned value. These values can be converted to decimal by first inverting all the bits and adding 1 to obtain the unsigned binary value. This value should then be converted to decimal with the negative sign applied. For example, assume a shunt voltage reading returns 1011 0100 0001 0000 0000. This is a negative value due to the MSB having a value of one. Inverting the bits and adding one results in 0100 1011 1111 0000 0000 (311040d) which from the shunt voltage example in [Table 8-4](#) correlates to a voltage of 97.2 mV. Since the returned value was negative the measured shunt voltage value is -97.2 mV.

8.2.3 Application Curves

[Figure 8-3](#) and [Figure 8-4](#) show the ALERT pin response to a bus overvoltage fault with a conversion time of 50 μs , averaging set to 1, and the SLOWALERT bit set to 0 for bus only conversions. For these scope shots, persistence was enabled on the ALERT channel to show the variation in the alert response for many sequential fault events. If the magnitude of the fault is sufficient the ALERT response can be as fast as one quarter of the ADC conversion time as shown in [Figure 8-3](#). For fault conditions that are just exceeding the limit threshold, the response time for the ALERT pin can vary from approximately 0.5 to 1.5 conversion cycles as shown in [Figure 8-4](#). Variation in the alert response exists because the external fault event is not synchronized to the internal ADC conversion start. Also the ADC is constantly sampling to get a result, so the response time for fault events starting from zero will slower than fault events starting from values near the set fault threshold. Since the timing of the alert can be difficult to predict, applications where the alert timing is critical should assume a alert response equal to 1.5 times the ADC conversion time for bus voltage or shunt voltage only conversions.

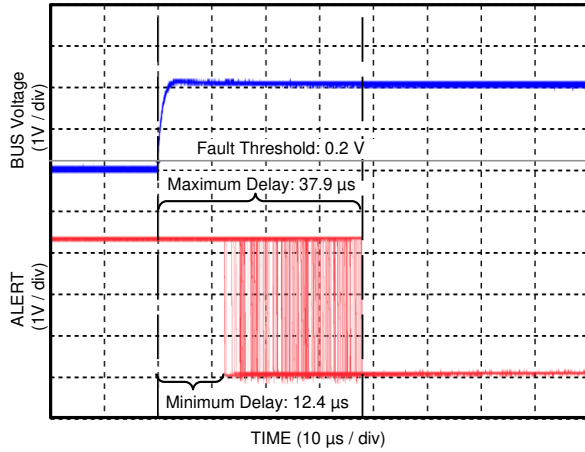


Figure 8-3. Alert Response Time (Sampled Values Significantly Above Threshold)

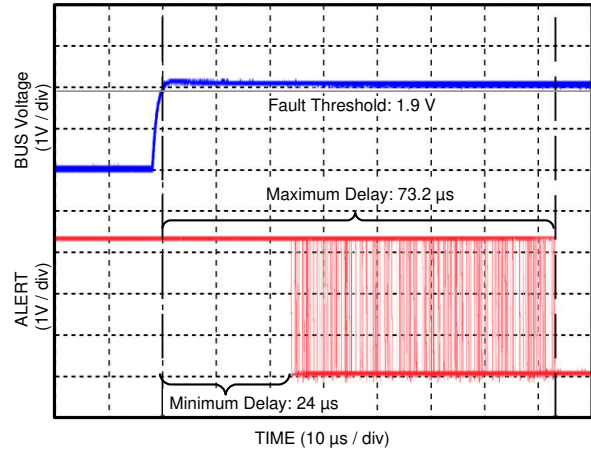


Figure 8-4. Alert Response Time (Sampled Values Slightly Above Threshold)

9 Power Supply Recommendations

The input circuitry of the device can accurately measure signals on common-mode voltages beyond its power-supply voltage, V_S . For example, the voltage applied to the V_S power supply terminal can be 5 V, whereas the load power-supply voltage being monitored (the common-mode voltage) can be as high as 85 V. Note that the device can also withstand the full 0 V to 85 V range at the input terminals, regardless of whether the device has power applied or not. Avoid applications where the GND pin is disconnected while device is actively powered.

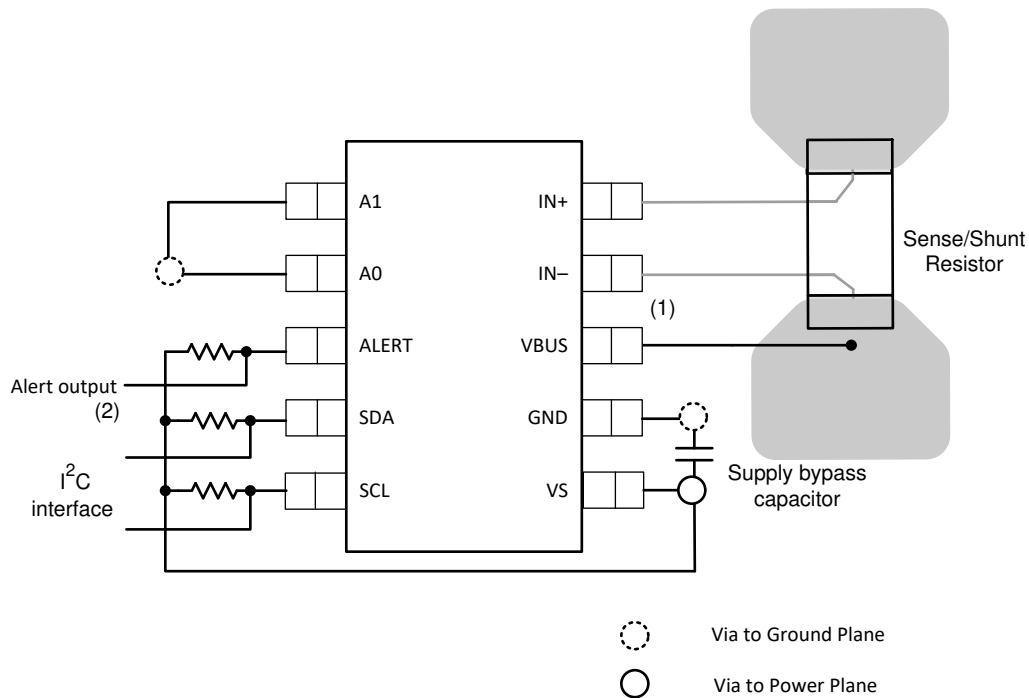
Place the required power-supply bypass capacitors as close as possible to the supply and ground terminals of the device. A typical value for this supply bypass capacitor is 0.1 μF . Applications with noisy or high-impedance power supplies may require additional decoupling capacitors to reject power-supply noise.

10 Layout

10.1 Layout Guidelines

Connect the input pins (IN+ and IN-) to the sensing resistor using a Kelvin connection or a 4-wire connection. This connection technique ensures that only the current-sensing resistor impedance is sensed between the input pins. Poor routing of the current-sensing resistor commonly results in additional resistance present between the input pins. Given the very low ohmic value of the current-sensing resistor, any additional high-current carrying impedance causes significant measurement errors. Place the power-supply bypass capacitor as close as possible to the supply and ground pins.

10.2 Layout Example



- (1) Connect the VBUS pin to the voltage powering the load for load power calculations..
- (2) Can be left floating if unused.

Figure 10-1. INA228-Q1 Layout Example

11 Device and Documentation Support

11.1 Receiving Notification of Documentation Updates

To receive notification of documentation updates, navigate to the device product folder on ti.com. Click on *Subscribe to updates* to register and receive a weekly digest of any product information that has changed. For change details, review the revision history included in any revised document.

11.2 Support Resources

TI E2E™ [support forums](#) are an engineer's go-to source for fast, verified answers and design help — straight from the experts. Search existing answers or ask your own question to get the quick design help you need.

Linked content is provided "AS IS" by the respective contributors. They do not constitute TI specifications and do not necessarily reflect TI's views; see TI's [Terms of Use](#).

11.3 Trademarks

TI E2E™ is a trademark of Texas Instruments.

All trademarks are the property of their respective owners.

11.4 Electrostatic Discharge Caution



This integrated circuit can be damaged by ESD. Texas Instruments recommends that all integrated circuits be handled with appropriate precautions. Failure to observe proper handling and installation procedures can cause damage.

ESD damage can range from subtle performance degradation to complete device failure. Precision integrated circuits may be more susceptible to damage because very small parametric changes could cause the device not to meet its published specifications.

11.5 Glossary

[TI Glossary](#) This glossary lists and explains terms, acronyms, and definitions.

12 Mechanical, Packaging, and Orderable Information

The following pages include mechanical, packaging, and orderable information. This information is the most current data available for the designated devices. This data is subject to change without notice and revision of this document. For browser-based versions of this data sheet, refer to the left-hand navigation.

PACKAGING INFORMATION

| Orderable Device | Status (1) | Package Type | Package Drawing | Pins | Package Qty | Eco Plan (2) | Lead finish/ Ball material (6) | MSL Peak Temp (3) | Op Temp (°C) | Device Marking (4/5) | Samples |
|------------------|---------------|--------------|-----------------|------|-------------|-----------------|--------------------------------------|----------------------|--------------|-------------------------|---------|
| INA228AQDGSRQ1 | ACTIVE | VSSOP | DGS | 10 | 2500 | RoHS & Green | SN | Level-2-260C-1 YEAR | -40 to 125 | 228Q | Samples |

(1) The marketing status values are defined as follows:

ACTIVE: Product device recommended for new designs.

LIFEBUY: TI has announced that the device will be discontinued, and a lifetime-buy period is in effect.

NRND: Not recommended for new designs. Device is in production to support existing customers, but TI does not recommend using this part in a new design.

PREVIEW: Device has been announced but is not in production. Samples may or may not be available.

OBSOLETE: TI has discontinued the production of the device.

(2) **RoHS:** TI defines "RoHS" to mean semiconductor products that are compliant with the current EU RoHS requirements for all 10 RoHS substances, including the requirement that RoHS substance do not exceed 0.1% by weight in homogeneous materials. Where designed to be soldered at high temperatures, "RoHS" products are suitable for use in specified lead-free processes. TI may reference these types of products as "Pb-Free".

RoHS Exempt: TI defines "RoHS Exempt" to mean products that contain lead but are compliant with EU RoHS pursuant to a specific EU RoHS exemption.

Green: TI defines "Green" to mean the content of Chlorine (Cl) and Bromine (Br) based flame retardants meet JS709B low halogen requirements of <=1000ppm threshold. Antimony trioxide based flame retardants must also meet the <=1000ppm threshold requirement.

(3) MSL, Peak Temp. - The Moisture Sensitivity Level rating according to the JEDEC industry standard classifications, and peak solder temperature.

(4) There may be additional marking, which relates to the logo, the lot trace code information, or the environmental category on the device.

(5) Multiple Device Markings will be inside parentheses. Only one Device Marking contained in parentheses and separated by a "-" will appear on a device. If a line is indented then it is a continuation of the previous line and the two combined represent the entire Device Marking for that device.

(6) Lead finish/Ball material - Orderable Devices may have multiple material finish options. Finish options are separated by a vertical ruled line. Lead finish/Ball material values may wrap to two lines if the finish value exceeds the maximum column width.

Important Information and Disclaimer:The information provided on this page represents TI's knowledge and belief as of the date that it is provided. TI bases its knowledge and belief on information provided by third parties, and makes no representation or warranty as to the accuracy of such information. Efforts are underway to better integrate information from third parties. TI has taken and continues to take reasonable steps to provide representative and accurate information but may not have conducted destructive testing or chemical analysis on incoming materials and chemicals. TI and TI suppliers consider certain information to be proprietary, and thus CAS numbers and other limited information may not be available for release.

In no event shall TI's liability arising out of such information exceed the total purchase price of the TI part(s) at issue in this document sold by TI to Customer on an annual basis.

OTHER QUALIFIED VERSIONS OF INA228-Q1 :

- Catalog : [INA228](#)

NOTE: Qualified Version Definitions:

- Catalog - TI's standard catalog product

TAPE AND REEL INFORMATION

QUADRANT ASSIGNMENTS FOR PIN 1 ORIENTATION IN TAPE


*All dimensions are nominal

| Device | Package Type | Package Drawing | Pins | SPQ | Reel Diameter (mm) | Reel Width W1 (mm) | A0 (mm) | B0 (mm) | K0 (mm) | P1 (mm) | W (mm) | Pin1 Quadrant |
|----------------|--------------|-----------------|------|------|--------------------|--------------------|---------|---------|---------|---------|--------|---------------|
| INA228AQDGSRQ1 | VSSOP | DGS | 10 | 2500 | 330.0 | 12.4 | 5.3 | 3.4 | 1.4 | 8.0 | 12.0 | Q1 |

TAPE AND REEL BOX DIMENSIONS


*All dimensions are nominal

| Device | Package Type | Package Drawing | Pins | SPQ | Length (mm) | Width (mm) | Height (mm) |
|----------------|--------------|-----------------|------|------|-------------|------------|-------------|
| INA228AQDGSRQ1 | VSSOP | DGS | 10 | 2500 | 366.0 | 364.0 | 50.0 |

DGS0010A



PACKAGE OUTLINE

VSSOP - 1.1 mm max height

SMALL OUTLINE PACKAGE



4221984/A 05/2015

NOTES:

1. All linear dimensions are in millimeters. Any dimensions in parenthesis are for reference only. Dimensioning and tolerancing per ASME Y14.5M.
2. This drawing is subject to change without notice.
3. This dimension does not include mold flash, protrusions, or gate burrs. Mold flash, protrusions, or gate burrs shall not exceed 0.15 mm per side.
4. This dimension does not include interlead flash. Interlead flash shall not exceed 0.25 mm per side.
5. Reference JEDEC registration MO-187, variation BA.

EXAMPLE BOARD LAYOUT

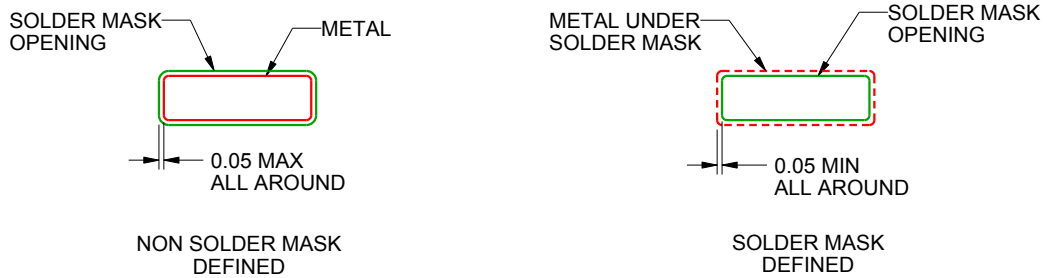
DGS0010A

VSSOP - 1.1 mm max height

SMALL OUTLINE PACKAGE



LAND PATTERN EXAMPLE
SCALE:10X



SOLDER MASK DETAILS
NOT TO SCALE

4221984/A 05/2015

NOTES: (continued)

6. Publication IPC-7351 may have alternate designs.
7. Solder mask tolerances between and around signal pads can vary based on board fabrication site.

EXAMPLE STENCIL DESIGN

DGS0010A

VSSOP - 1.1 mm max height

SMALL OUTLINE PACKAGE



SOLDER PASTE EXAMPLE
BASED ON 0.125 mm THICK STENCIL
SCALE:10X

4221984/A 05/2015

NOTES: (continued)

8. Laser cutting apertures with trapezoidal walls and rounded corners may offer better paste release. IPC-7525 may have alternate design recommendations.
9. Board assembly site may have different recommendations for stencil design.

IMPORTANT NOTICE AND DISCLAIMER

TI PROVIDES TECHNICAL AND RELIABILITY DATA (INCLUDING DATASHEETS), DESIGN RESOURCES (INCLUDING REFERENCE DESIGNS), APPLICATION OR OTHER DESIGN ADVICE, WEB TOOLS, SAFETY INFORMATION, AND OTHER RESOURCES "AS IS" AND WITH ALL FAULTS, AND DISCLAIMS ALL WARRANTIES, EXPRESS AND IMPLIED, INCLUDING WITHOUT LIMITATION ANY IMPLIED WARRANTIES OF MERCHANTABILITY, FITNESS FOR A PARTICULAR PURPOSE OR NON-INFRINGEMENT OF THIRD PARTY INTELLECTUAL PROPERTY RIGHTS.

These resources are intended for skilled developers designing with TI products. You are solely responsible for (1) selecting the appropriate TI products for your application, (2) designing, validating and testing your application, and (3) ensuring your application meets applicable standards, and any other safety, security, or other requirements. These resources are subject to change without notice. TI grants you permission to use these resources only for development of an application that uses the TI products described in the resource. Other reproduction and display of these resources is prohibited. No license is granted to any other TI intellectual property right or to any third party intellectual property right. TI disclaims responsibility for, and you will fully indemnify TI and its representatives against, any claims, damages, costs, losses, and liabilities arising out of your use of these resources.

TI's products are provided subject to TI's Terms of Sale (<https://www.ti.com/legal/termsofsale.html>) or other applicable terms available either on [ti.com](https://www.ti.com) or provided in conjunction with such TI products. TI's provision of these resources does not expand or otherwise alter TI's applicable warranties or warranty disclaimers for TI products.

Mailing Address: Texas Instruments, Post Office Box 655303, Dallas, Texas 75265
Copyright © 2021, Texas Instruments Incorporated