

# LP2986 Micropower, 200-mA Ultra-Low-Dropout Fixed or Adjustable Voltage Regulator

## 1 Features

- Wide Supply Voltage Range (16 V Maximum)
- Ultra-Low-Dropout Voltage
- 0.5% Output Voltage Accuracy (A Grade)
- Ensured 200-mA Output Current
- < 1- $\mu$ A Quiescent Current when Shutdown
- Low GROUND Pin Current at All Loads
- High Peak Current Capability (400 mA Typical)
- Overtemperature/Overcurrent Protection
- $-40^{\circ}\text{C}$  to  $+125^{\circ}\text{C}$  Junction Temperature Range

## 2 Applications

- Cellular Phones
- Palmtop/Laptop Computers
- Camcorders, Personal Stereos, Cameras

## 3 Description

The LP2986 is a 200-mA high-precision LDO regulator with a wide input voltage supply. The device has two output voltage modes: a fixed-precision output mode and an adjustable output voltage via an external resistive divider.

Using an optimized Vertically Integrated PNP (VIP) process, the LP2986 delivers superior performance:

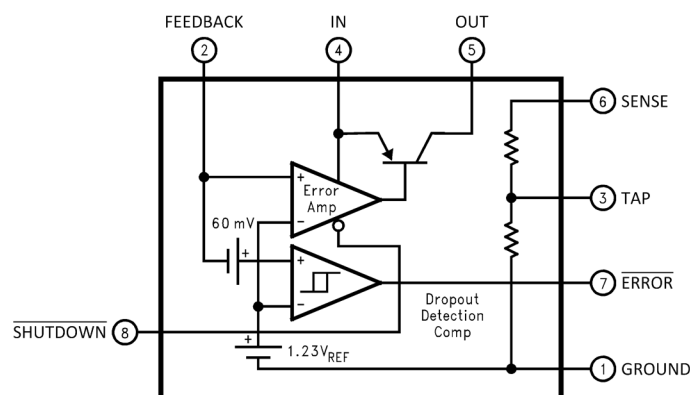
- Dropout Voltage: Typically 180 mV at 200-mA load, and 1 mV at 1-mA load.
- GROUND Pin Current: Typically 1 mA at 200-mA load, and 200  $\mu$ A at 10-mA load.
- Sleep Mode: The LP2986 draws less than 1  $\mu$ A quiescent current when SHUTDOWN pin is pulled low.
- $\overline{\text{ERROR}}$  Flag: The built-in  $\overline{\text{ERROR}}$  flag goes low when the output drops approximately 5% below nominal.
- Precision Output: The standard product versions available can be pin-strapped (using the internal resistive divider) to provide output voltages of 5 V, 3.3 V, or 3 V with ensured accuracy of 0.5% (A grade) and 1% (standard grade) at room temperature.

### Device Information<sup>(1)</sup>

| PART NUMBER | PACKAGE   | BODY SIZE (NOM)   |
|-------------|-----------|-------------------|
| LP2986      | SOIC (8)  | 4.90 mm x 3.91 mm |
|             | VSSOP (8) | 3.00 mm x 3.00 mm |
|             | WSON (8)  | 4.00 mm x 4.00 mm |

(1) For all available packages, see the orderable addendum at the end of the data sheet.

### Simplified Schematic



## Table of Contents

|   |           |  |           |
|---|-----------|--|-----------|
| <b>1 Features</b> .....                       | <b>1</b>  | 7.4 Device Functional Modes.....                                 | <b>14</b> |
| <b>2 Applications</b> .....                   | <b>1</b>  | <b>8 Application and Implementation</b> .....                    | <b>15</b> |
| <b>3 Description</b> .....                    | <b>1</b>  | 8.1 Application Information.....                                 | <b>15</b> |
| <b>4 Revision History</b> .....               | <b>2</b>  | 8.2 Typical Applications .....                                   | <b>15</b> |
| <b>5 Pin Configuration and Function</b> ..... | <b>3</b>  | <b>9 Power Supply Recommendations</b> .....                      | <b>19</b> |
| <b>6 Specifications</b> .....                 | <b>4</b>  | <b>10 Layout</b> .....   | <b>20</b> |
| 6.1 Absolute Maximum Ratings .....            | 4         | 10.1 Layout Guidelines .....                                     | 20        |
| 6.2 ESD Ratings.....                          | 4         | 10.2 Layout Examples.....  | 20        |
| 6.3 Recommended Operating Conditions.....     | 4         | 10.3 WSON Mounting .....   | 21        |
| 6.4 Thermal Information .....                 | 5         | <b>11 Device and Documentation Support</b> .....                 | <b>22</b> |
| 6.5 Electrical Characteristics.....           | 5         | 11.1 Documentation Support .....                                 | 22        |
| 6.6 Typical Characteristics .....             | 8         | 11.2 Community Resources.....                                    | 22        |
| <b>7 Detailed Description</b> .....           | <b>13</b> | 11.3 Trademarks .....  | 22        |
| 7.1 Overview .....                            | 13        | 11.4 Electrostatic Discharge Caution.....                        | 22        |
| 7.2 Functional Block Diagram .....            | 13        | 11.5 Glossary .....  | 22        |
| 7.3 Feature Description.....                  | 13        | <b>12 Mechanical, Packaging, and Orderable Information</b> ..... | <b>22</b> |

## 4 Revision History

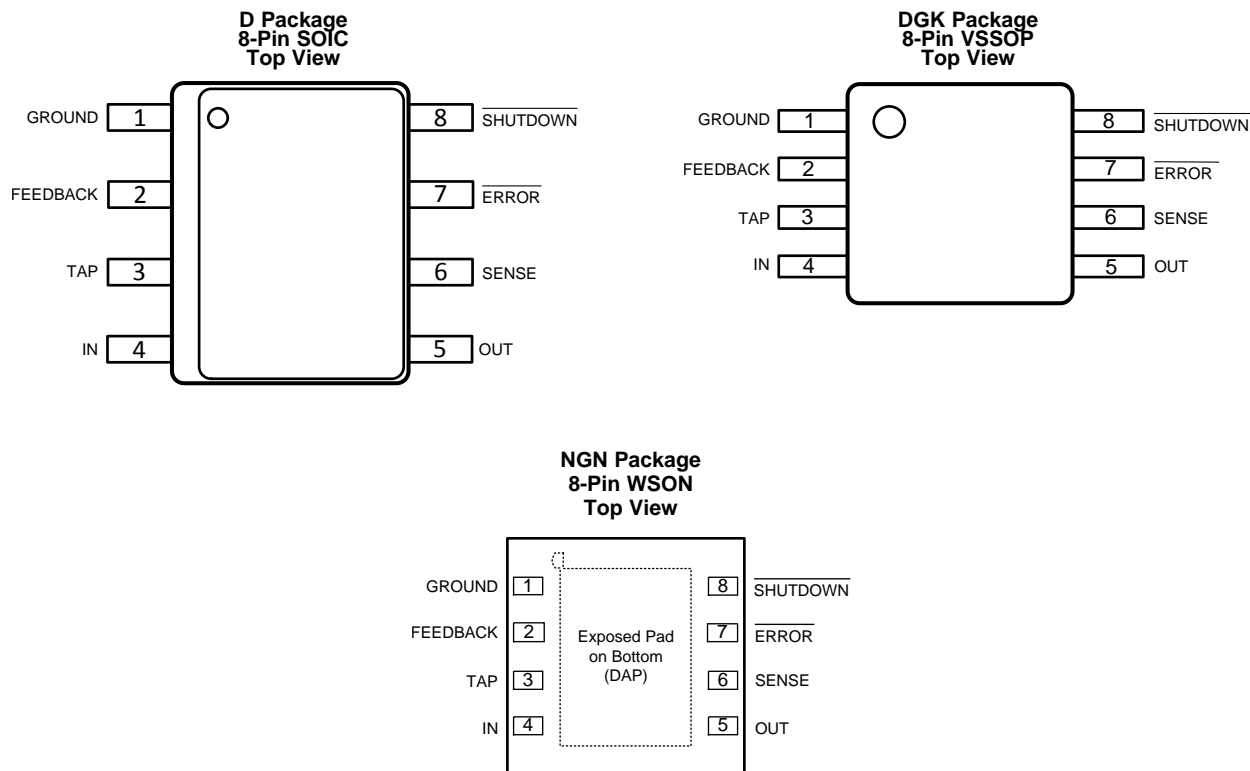
NOTE: Page numbers for previous revisions may differ from page numbers in the current version.

| <b>Changes from Revision H (April 2013) to Revision I</b>  | <b>Page</b> |
|--|-------------|
| <ul style="list-style-type: none"> <li>Added <i>Device Information</i> and <i>Pin Configuration and Functions</i> sections, <i>ESD Ratings</i> table, update <i>Thermal Values</i>, <i>Feature Description</i>, <i>Device Functional Modes</i>, <i>Application and Implementation</i>, <i>Power Supply Recommendations</i>, <i>Layout</i>, <i>Device and Documentation Support</i>, and <i>Mechanical, Packaging, and Orderable Information</i> sections.....</li> </ul> | 1           |
| <ul style="list-style-type: none"> <li>Deleted Lead Temp from <i>Abs Max</i> table (in POA); delete <i>Heatsinking</i> sections re: specific packages (outdated info) .....</li> </ul>   | 4           |

| <b>Changes from Revision G (April 2013) to Revision H</b>  | <b>Page</b> |
|--|-------------|
| <ul style="list-style-type: none"> <li>Changed layout of National Data Sheet to TI format .....</li> </ul> | 18          |

## 5 Pin Configuration and Function



See [WSON Mounting](#).

### Pin Functions: All Packages

| PIN                           |     | I/O | DESCRIPTION  |
|-------------------------------|-----|-----|--|
| NAME                          | NO. |     |  |
| ERROR                         | 7   | O   | Active-low open-collector error output. Goes low when $V_{OUT}$ drops by 5% of its nominal value.  |
| FEEDBACK                      | 2   | I   | Determines the output voltage. Connect to TAP (with OUT tied to SENSE) to output the fixed voltage corresponding to the part version, or connect to a resistor divider to adjust the output voltage (see <a href="#">Typical Applications</a> ).   |
| GROUND                        | 1   | —   | Ground.  |
| IN                            | 4   | I   | Input voltage supply.  |
| OUT                           | 5   | O   | Regulated output.  |
| SENSE                         | 6   | I   | Connect to OUT (with FEEDBACK tied to TAP) to output the voltage corresponding to the part version (see <a href="#">Typical Applications</a> ).  |
| SHUTDOWN                      | 8   | I   | Active-high. pull low to shutdown the output voltage.  |
| TAP                           | 3   | O   | Middle tap of the internal voltage divider. Tie to FEEDBACK (with OUT tied to SENSE) to output the fixed voltage corresponding to the part version (see <a href="#">Typical Applications</a> ).  |
| DAP (Thermal Pad - WSON only) | √   | —   | The exposed thermal pad on the bottom of the WSON package should be connected to a copper thermal pad on the PCB under the package. The use of thermal vias to remove heat from the package into the PCB is recommended. Connect the thermal pad to ground potential or leave floating. Do not connect the thermal pad to any potential other than the same ground potential seen at device pin 1. For additional information on using TI's non-pullback WSON package, see Application Note AN-1187 <i>Leadless Leadframe Package (LLP)</i> (SNOA401). |

## 6 Specifications

### 6.1 Absolute Maximum Ratings

over operating free-air temperature range (unless otherwise noted)<sup>(1)(2)</sup>

|  | MIN                     | MAX | UNIT |
|--|-------------------------|-----|------|
| Input supply voltage (survival)                | -0.3                    | 16  | V    |
| Input supply voltage (operating)               | 2.1                     | 16  | V    |
| SHUTDOWN pin                                   | -0.3                    | 16  | V    |
| FEEDBACK pin                                   | -0.3                    | 5   | V    |
| Output voltage (survival) <sup>(3)</sup>       | -0.3                    | 16  | V    |
| I <sub>OUT</sub> (survival)                    | Short-circuit protected |     |      |
| Input-output voltage (survival) <sup>(4)</sup> | -0.3                    | 16  | V    |
| Power dissipation <sup>(5)</sup>               | Internally limited      |     |      |
| Storage temperature, T <sub>stg</sub>          | -65                     | 150 | °C   |

- (1) Stresses beyond those listed under *Absolute Maximum Ratings* may cause permanent damage to the device. These are stress ratings only, which do not imply functional operation of the device at these or any other conditions beyond those indicated under *Recommended Operating Conditions*. Exposure to absolute-maximum-rated conditions for extended periods may affect device reliability.
- (2) If Military/Aerospace specified devices are required, contact the Texas Instruments Sales Office/Distributors for availability and specifications.
- (3) If used in a dual-supply system where the regulator load is returned to a negative supply, the LM2986 output must be diode-clamped to ground.
- (4) The output PNP structure contains a diode between the IN and OUT pins that is normally reverse-biased. Forcing the output above the input will turn on this diode and may induce a latch-up mode which can damage the part (see [Reverse Input-Output Voltage](#)).
- (5) The maximum allowable power dissipation is a function of the maximum junction temperature, T<sub>J(MAX)</sub>, the junction-to-ambient thermal resistance, R<sub>θJA</sub>, and the ambient temperature, T<sub>A</sub>. The maximum allowable power dissipation at any ambient temperature is calculated using:  $P_{(MAX)} = (T_{J(MAX)} - T_A) / R_{\theta JA}$   
For improved thermal resistance and power dissipation for the WSON package, refer to Texas Instruments Application Note *Leadless Leadframe Package (LLP)* (SNOA401). Exceeding the maximum allowable power dissipation will cause excessive die temperature, and the regulator will go into thermal shutdown.

### 6.2 ESD Ratings

|  |   |                                       | VALUE | UNIT |
|--|---|---------------------------------------|-------|------|
| V <sub>(ESD)</sub> Electrostatic discharge | Human-body model (HBM), per ANSI/ESDA/JEDEC JS-001 <sup>(1)</sup> | All pins except FEEDBACK, IN, and TAP | ±2000 | V    |
|  |   | FEEDBACK pin                          | ±500  |      |
|  |   | IN pin                                | ±1000 |      |
|  |   | TAP pin                               | ±1500 |      |

- (1) JEDEC document JEP155 states that 500-V HBM allows safe manufacturing with a standard ESD control process.

### 6.3 Recommended Operating Conditions

over operating free-air temperature range (unless otherwise noted)

|                                | MIN | NOM | MAX | UNIT |
|--------------------------------|-----|-----|-----|------|
| Supply input voltage           | 2.1 |     | 16  | V    |
| Enable input voltage           | 0   |     | 16  | V    |
| Output current                 |     |     | 200 | mA   |
| Operating junction temperature | -40 |     | 125 | °C   |

## 6.4 Thermal Information

| THERMAL METRIC <sup>(1)</sup>  |  | LP2986   |             |                     | UNIT |
|--------------------------------|--|----------|-------------|---------------------|------|
|                                |  | D (SOIC) | DGK (VSSOP) | NGN (WSON)          |      |
|                                |  | 8 PINS   |             |                     |      |
| $R_{\theta JA}$ <sup>(2)</sup> | Junction-to-ambient thermal resistance, High-K | 114.4    | 156.5       | 37.8 <sup>(3)</sup> | °C/W |
| $R_{\theta JC(top)}$           | Junction-to-case (top) thermal resistance      | 61.4     | 51.0        | 28.58               | °C/W |
| $R_{\theta JB}$                | Junction-to-board thermal resistance           | 55.5     | 76.5        | 15.0                | °C/W |
| $\psi_{JT}$                    | Junction-to-top characterization parameter     | 9.8      | 4.9         | 0.2                 | °C/W |
| $\psi_{JB}$                    | Junction-to-board characterization parameter   | 54.9     | 75.2        | 15.2                | °C/W |
| $R_{\theta JC(bot)}$           | Junction-to-case (bottom) thermal resistance   | n/a      | n/a         | 4.4                 | °C/W |

- (1) For more information about traditional and new thermal metrics, see the *Semiconductor and IC Package Thermal Metrics* application report, [SPRA953](#).
- (2) Thermal resistance value  $R_{\theta JA}$  is based on the EIA/JEDEC High-K printed circuit board defined by: JESD51-7 - *High Effective Thermal Conductivity Test Board for Leaded Surface Mount Packages*.
- (3) The PCB for the NGN (WSON) package  $R_{\theta JA}$  includes four (4) thermal vias under the exposed thermal pad per EIA/JEDEC JESD51-5.

## 6.5 Electrical Characteristics

Unless otherwise specified:  $T_J = 25^\circ\text{C}$ ,  $V_{IN} = V_{OUT(NOM)} + 1\text{ V}$ ,  $I_{OUT} = 1\text{ mA}$ ,  $C_{OUT} = 4.7\text{ }\mu\text{F}$ ,  $C_{IN} = 2.2\text{ }\mu\text{F}$ ,  $V_{SD} = 2\text{ V}$ .

| PARAMETER                      |                                | TEST CONDITIONS   | LP2986AI-X.X <sup>(1)</sup> |       |       | LP2986I-X.X <sup>(1)</sup> |       |       | UNIT |
|--------------------------------|--------------------------------|---|-----------------------------|-------|-------|----------------------------|-------|-------|------|
|                                |                                |   | MIN                         | TYP   | MAX   | MIN                        | TYP   | MAX   |      |
| $V_{OUT}$                      | Output voltage (5-V version)   |   | 4.975                       | 5     | 5.025 | 4.95                       | 5     | 5.05  | V    |
|                                |                                | $0.1\text{ mA} < I_{OUT} < 200\text{ mA}$   | 4.96                        | 5     | 5.04  | 4.92                       | 5     | 5.08  |      |
|                                |                                | $0.1\text{ mA} < I_{OUT} < 200\text{ mA}$<br>$-40^\circ\text{C} \leq T_J \leq 125^\circ\text{C}$                | 4.91                        |       | 5.09  | 4.86                       |       | 5.14  |      |
|                                | Output voltage (3.3-V version) |   | 3.283                       | 3.3   | 3.317 | 3.267                      | 3.3   | 3.333 | V    |
|                                |                                | $0.1\text{ mA} < I_{OUT} < 200\text{ mA}$   | 3.274                       | 3.3   | 3.326 | 3.247                      | 3.3   | 3.353 |      |
|                                |                                | $0.1\text{ mA} < I_{OUT} < 200\text{ mA}$<br>$-40^\circ\text{C} \leq T_J \leq 125^\circ\text{C}$                | 3.241                       |       | 3.359 | 3.208                      |       | 3.392 |      |
|                                | Output voltage (3-V version)   |   | 2.985                       | 3     | 3.015 | 2.97                       | 3     | 3.03  | V    |
|                                |                                | $0.1\text{ mA} < I_{OUT} < 200\text{ mA}$   | 2.976                       | 3     | 3.024 | 2.952                      | 3     | 3.048 |      |
|                                |                                | $0.1\text{ mA} < I_{OUT} < 200\text{ mA}$<br>$-40^\circ\text{C} \leq T_J \leq 125^\circ\text{C}$                | 2.946                       |       | 3.054 | 2.916                      |       | 3.084 |      |
| $\Delta V_{OUT}/\Delta V_{IN}$ | Output voltage line regulation | $V_{OUT(NOM)} + 1\text{ V} \leq V_{IN} \leq 16\text{ V}$  |                             | 0.007 | 0.014 |                            | 0.007 | 0.014 | %V   |
|                                |                                | $V_{OUT(NOM)} + 1\text{ V} \leq V_{IN} \leq 16\text{ V}$<br>$-40^\circ\text{C} \leq T_J \leq 125^\circ\text{C}$ |                             |       | 0.032 |                            |       | 0.032 |      |
| $V_{IN} - V_{OUT}$             | Dropout voltage <sup>(2)</sup> | $I_{OUT} = 100\text{ }\mu\text{A}$  |                             | 1     | 2     |                            | 1     | 2     | mV   |
|                                |                                | $I_{OUT} = 100\text{ }\mu\text{A}$<br>$-40^\circ\text{C} \leq T_J \leq 125^\circ\text{C}$                       |                             |       | 3.5   |                            |       | 3.5   |      |
|                                |                                | $I_{OUT} = 75\text{ mA}$  |                             | 90    | 120   |                            | 90    | 120   |      |
|                                |                                | $I_{OUT} = 75\text{ mA}$<br>$-40^\circ\text{C} \leq T_J \leq 125^\circ\text{C}$                                 |                             |       | 170   |                            |       | 170   |      |
|                                |                                | $I_{OUT} = 200\text{ mA}$   |                             | 180   | 230   |                            | 180   | 230   |      |
|                                |                                | $I_{OUT} = 200\text{ mA}$<br>$-40^\circ\text{C} \leq T_J \leq 125^\circ\text{C}$                                |                             |       | 350   |                            |       | 350   |      |

- (1) Limits are 100% production tested at 25°C. Limits over the operating temperature range are specified through correlation using Statistical Quality Control (SQC) methods. The limits are used to calculate TI's Average Outgoing Quality Level (AOQL).
- (2) Dropout voltage is defined as the input to output differential at which the output voltage drops 100 mV below the value measured with a 1-V differential.

### Electrical Characteristics (continued)

Unless otherwise specified:  $T_J = 25^\circ\text{C}$ ,  $V_{IN} = V_{OUT(NOM)} + 1\text{ V}$ ,  $I_{OUT} = 1\text{ mA}$ ,  $C_{OUT} = 4.7\text{ }\mu\text{F}$ ,  $C_{IN} = 2.2\text{ }\mu\text{F}$ ,  $V_{SD} = 2\text{ V}$ .

| PARAMETER  | TEST CONDITIONS                                   | LP2986AI-X.X <sup>(1)</sup>   |      |      | LP2986I-X.X <sup>(1)</sup> |      |               | UNIT                       |            |      |
|--|---|---|------|------|----------------------------|------|---------------|----------------------------|------------|------|
|  |   | MIN   | TYP  | MAX  | MIN                        | TYP  | MAX           |                            |            |      |
| $I_{GND}$  | Ground pin current                                | $I_{OUT} = 100\text{ }\mu\text{A}$  | 100  | 120  | 100                        | 120  | $\mu\text{A}$ |                            |            |      |
|  |   | $I_{OUT} = 100\text{ }\mu\text{A}$<br>$-40^\circ\text{C} \leq T_J \leq 125^\circ\text{C}$ |      | 150  | 110                        | 150  |               |                            |            |      |
|  |   | $I_{OUT} = 75\text{ mA}$  | 500  | 800  | 500                        | 800  |               |                            |            |      |
|  |   | $I_{OUT} = 75\text{ mA}$<br>$-40^\circ\text{C} \leq T_J \leq 125^\circ\text{C}$           |      | 1400 |                            | 1400 |               |                            |            |      |
|  |   | $I_{OUT} = 200\text{ mA}$   | 1    | 2.1  | 1                          | 2.1  | $\text{mA}$   |                            |            |      |
|  |   | $I_{OUT} = 200\text{ mA}$<br>$-40^\circ\text{C} \leq T_J \leq 125^\circ\text{C}$          |      | 3.7  |                            | 3.7  |               |                            |            |      |
|  |   | $V_{SD} < 0.3\text{ V}$   |      | 0.05 |                            | 0.05 | $\mu\text{A}$ |                            |            |      |
| $V_{SD} < 0.3\text{ V}$<br>$-40^\circ\text{C} \leq T_J \leq 125^\circ\text{C}$ |   | 1.5   |      | 1.5  |                            |      |               |                            |            |      |
| $I_{OUT(PK)}$  | Peak output current                               | $V_{OUT} \geq V_{OUT(NOM)} - 5\%$   |      | 250  | 400                        | 250  | 400           | $\text{mA}$                |            |      |
| $I_{OUT(MAX)}$   | Short-circuit current                             | $R_L = 0$ (steady state) <sup>(3)</sup>   |      |      | 400                        |      | 400           | $\text{mA}$                |            |      |
| $e_n$  | Output noise voltage (RMS)                        | BW = 300 Hz to 50 kHz,<br>$C_{OUT} = 10\text{ }\mu\text{F}$                               |      |      | 160                        |      | 160           | $\mu\text{V}_{RMS}$        |            |      |
| $\Delta V_{OUT}/\Delta V_{IN}$   | Ripple rejection                                  | $f = 1\text{ kHz}$ , $C_{OUT} = 10\text{ }\mu\text{F}$                                    |      |      | 65                         |      | 65            | dB                         |            |      |
| $\Delta V_{OUT}/\Delta T_D$  | Output voltage temperature coefficient            | See <sup>(4)</sup>  |      |      | 20                         |      | 20            | ppm/ $^\circ\text{C}$      |            |      |
| <b>FEEDBACK PIN</b>  |   |   |      |      |                            |      |               |                            |            |      |
| $V_{FB}$   | FEEDBACK pin voltage                              |   | 1.21 | 1.23 | 1.25                       | 1.2  | 1.23          | 1.26                       | $\text{V}$ |      |
|  |   | $-40^\circ\text{C} \leq T_J \leq 125^\circ\text{C}$                                       |      | 1.2  |                            | 1.26 | 1.19          |                            |            | 1.27 |
|  |   | See <sup>(5)</sup>  |      | 1.19 |                            | 1.28 | 1.18          |                            |            | 1.29 |
| $\Delta V_{FB}/\Delta T$   | FEEDBACK pin voltage temperature coefficient      | See <sup>(6)</sup>  |      |      | 20                         |      | 20            | ppm/ $^\circ\text{C}$      |            |      |
| $I_{FB}$   | FEEDBACK pin bias current                         | $I_{OUT} = 200\text{ mA}$   |      | 150  | 330                        | 150  | 330           | $\text{nA}$                |            |      |
|  |   | $I_{OUT} = 200\text{ mA}$<br>$-40^\circ\text{C} \leq T_J \leq 125^\circ\text{C}$          |      |      | 760                        |      | 760           |                            |            |      |
| $\Delta I_{FB}/\Delta T$   | FEEDBACK pin bias current temperature coefficient | See <sup>(6)</sup>  |      |      | 0.1                        |      | 0.1           | $\text{nA}/^\circ\text{C}$ |            |      |
| <b>SHUTDOWN INPUT</b>  |   |   |      |      |                            |      |               |                            |            |      |
| $V_{SD}$   | $\overline{SD}$ Input voltage <sup>(7)</sup>      | $V_H = \text{Output ON}$  |      | 1.4  |                            | 1.4  |               | $\text{V}$                 |            |      |
|  |   | $V_H = \text{Output ON}$<br>$-40^\circ\text{C} \leq T_J \leq 125^\circ\text{C}$           |      | 1.6  |                            | 1.6  |               |                            |            |      |
|  |   | $V_L = \text{Output OFF}$   |      | 0.55 |                            | 0.55 | $\mu\text{A}$ |                            |            |      |
|  |   | $V_L = \text{Output OFF}$<br>$-40^\circ\text{C} \leq T_J \leq 125^\circ\text{C}$          |      |      | 0.18                       |      |               | 0.18                       |            |      |
| $I_{SD}$   | $\overline{SD}$ Input current                     | $V_{SD} = 0\text{ V}$   |      | 0    |                            | 0    | $\text{V}$    |                            |            |      |
|  |   | $V_{SD} = 0\text{ V}$ , $-40^\circ\text{C} \leq T_J \leq 125^\circ\text{C}$               |      |      | -1                         |      |               | -1                         |            |      |
|  |   | $V_{SD} = 5\text{ V}$   |      | 5    |                            | 5    | $\mu\text{A}$ |                            |            |      |
|  |   | $V_{SD} = 5\text{ V}$ , $-40^\circ\text{C} \leq T_J \leq 125^\circ\text{C}$               |      |      | 15                         |      |               | 15                         |            |      |

(3) See the [Typical Characteristics](#) section.

(4) Temperature coefficient is defined as the maximum (worst-case) change divided by the total temperature range.

(5)  $V_{FB} \leq V_{OUT} \leq (V_{IN} - 1)$ ,  $2.5\text{ V} \leq V_{IN} \leq 16\text{ V}$ ,  $100\text{ }\mu\text{A} \leq I_L \leq 200\text{ mA}$ ,  $T_J \leq 125^\circ\text{C}$ .

(6) Temperature coefficient is defined as the maximum (worst-case) change divided by the total temperature range.

(7) To prevent mis-operation, the SHUTDOWN pin must be driven by a signal that swings above  $V_H$  and below  $V_L$  with a slew rate not less than  $40\text{ mV}/\mu\text{s}$  (see [Application and Implementation](#)).

**Electrical Characteristics (continued)**

 Unless otherwise specified:  $T_J = 25^\circ\text{C}$ ,  $V_{IN} = V_{OUT(NOM)} + 1\text{ V}$ ,  $I_{OUT} = 1\text{ mA}$ ,  $C_{OUT} = 4.7\text{ }\mu\text{F}$ ,  $C_{IN} = 2.2\text{ }\mu\text{F}$ ,  $V_{SD} = 2\text{ V}$ .

| PARAMETER               | TEST CONDITIONS         | LP2986AI-X.X <sup>(1)</sup>  |      |      | LP2986I-X.X <sup>(1)</sup> |      |               | UNIT |             |
|-------------------------|-------------------------|--|------|------|----------------------------|------|---------------|------|-------------|
|                         |                         | MIN  | TYP  | MAX  | MIN                        | TYP  | MAX           |      |             |
| <b>ERROR COMPARATOR</b> |                         |  |      |      |                            |      |               |      |             |
| $I_{OH}$                | Output HIGH leakage     | $V_{OH} = 16\text{ V}$   | 0.01 | 1    | 0.001                      | 1    | $\mu\text{A}$ |      |             |
|                         |                         | $V_{OH} = 16\text{ V}$ , $-40^\circ\text{C} \leq T_J \leq 125^\circ\text{C}$   |      | 2    | 0.001                      | 2    |               |      |             |
| $V_{OL}$                | Output LOW voltage      | $V_{IN} = V_{OUT(NOM)} - 0.5\text{ V}$<br>$I_{OUT(OMP)} = 300\text{ }\mu\text{A}$  | 150  | 220  | 150                        | 220  | $\mu\text{A}$ |      |             |
|                         |                         | $V_{IN} = V_{OUT(NOM)} - 0.5\text{ V}$<br>$I_{OUT(OMP)} = 300\text{ }\mu\text{A}$<br>$-40^\circ\text{C} \leq T_J \leq 125^\circ\text{C}$ |      | 350  |                            | 350  | mV            |      |             |
| $V_{THR(MAX)}$          | Upper threshold voltage |  | -5.5 | -4.6 | -3.5                       | -5.5 | -4.6          | -3.5 | % $V_{OUT}$ |
|                         |                         | $-40^\circ\text{C} \leq T_J \leq 125^\circ\text{C}$  |      | -7.7 |                            | -2.5 | -7.7          |      |             |
| $V_{THR(MIN)}$          | Lower threshold voltage |  | -8.9 | -6.6 | -4.9                       | -8.9 | -6.6          | -4.9 | % $V_{OUT}$ |
|                         |                         | $-40^\circ\text{C} \leq T_J \leq 125^\circ\text{C}$  |      | -13  |                            | -3.3 | -13           |      |             |
| HYST                    | Hysteresis              |  | 2    |      | 2                          |      |               |      |             |

### 6.6 Typical Characteristics

Unless otherwise specified:  $T_A = 25^\circ\text{C}$ ,  $C_{OUT} = 4.7 \mu\text{F}$ ,  $C_{IN} = 2.2 \mu\text{F}$ ,  $\overline{SD}$  is tied to  $V_{IN}$ ,  $V_{IN} = V_{O(NOM)} + 1 \text{ V}$ ,  $I_L = 1 \text{ mA}$ .

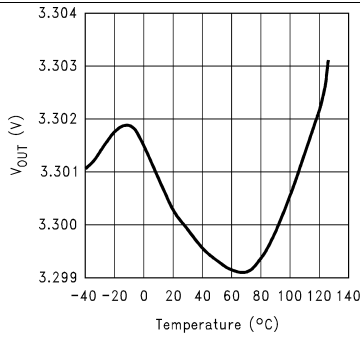


Figure 1.  $V_{OUT}$  vs Temperature

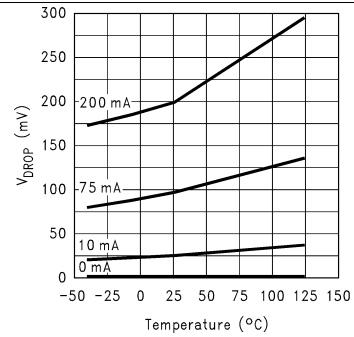


Figure 2. Dropout Voltage vs Temperature

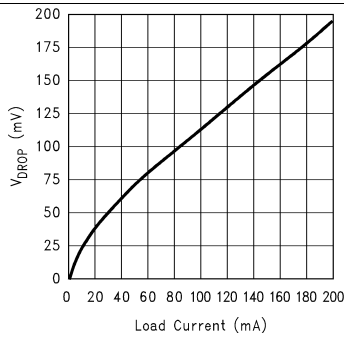


Figure 3. Dropout Voltage vs Load Current

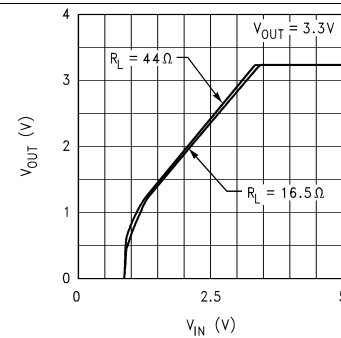


Figure 4. Dropout Characteristics

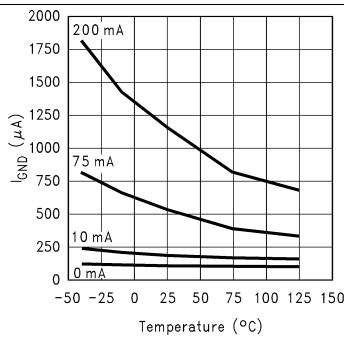


Figure 5. Ground Pin Current vs Temperature And Load

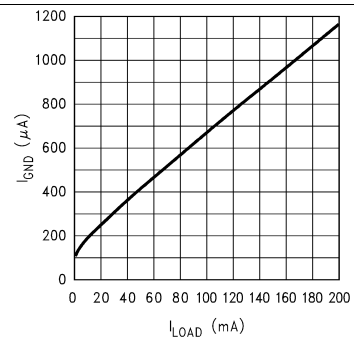


Figure 6. Ground Pin Current vs Load Current



Typical Characteristics (continued)

Unless otherwise specified:  $T_A = 25^\circ\text{C}$ ,  $C_{OUT} = 4.7 \mu\text{F}$ ,  $C_{IN} = 2.2 \mu\text{F}$ ,  $\overline{\text{SD}}$  is tied to  $V_{IN}$ ,  $V_{IN} = V_O(\text{NOM}) + 1 \text{ V}$ ,  $I_L = 1 \text{ mA}$ .

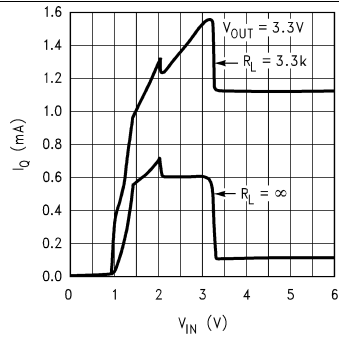


Figure 7. Input Current vs  $V_{IN}$

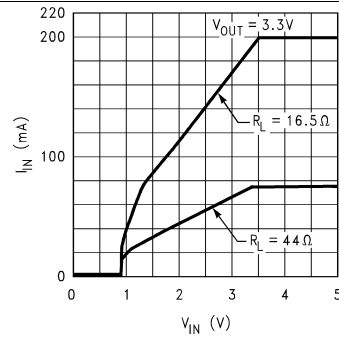


Figure 8. Input Current vs  $V_{IN}$

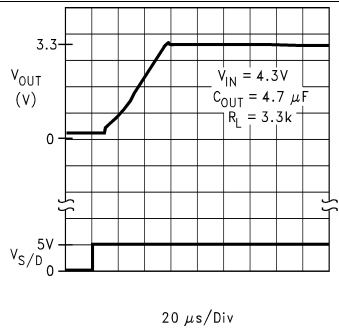


Figure 9. Turnon Waveform

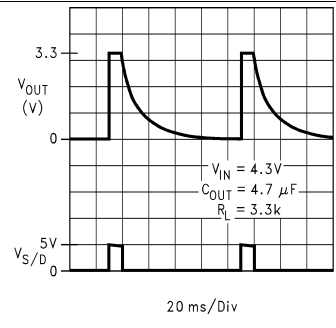


Figure 10. Turnoff Waveform

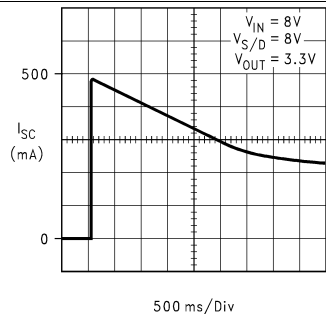


Figure 11. Short-Circuit Current

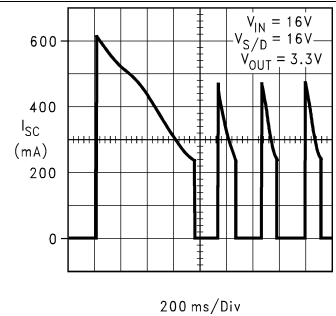


Figure 12. Short-Circuit Current

### Typical Characteristics (continued)

Unless otherwise specified:  $T_A = 25^\circ\text{C}$ ,  $C_{OUT} = 4.7 \mu\text{F}$ ,  $C_{IN} = 2.2 \mu\text{F}$ ,  $\overline{\text{SD}}$  is tied to  $V_{IN}$ ,  $V_{IN} = V_O(\text{NOM}) + 1 \text{ V}$ ,  $I_L = 1 \text{ mA}$ .

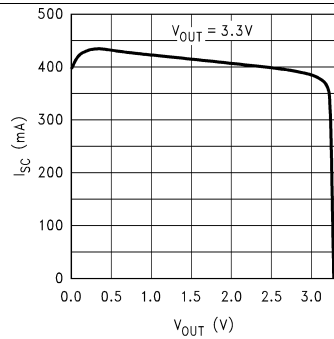


Figure 13. Short-Circuit Current vs Output Voltage

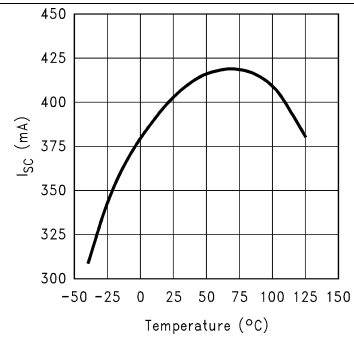


Figure 14. Instantaneous Short-Circuit Current vs Temperature

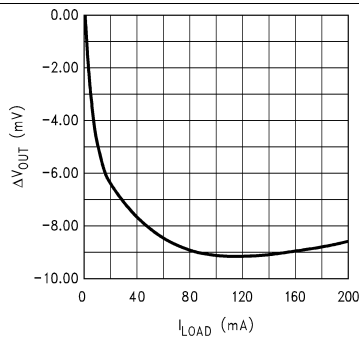


Figure 15. DC Load Regulation

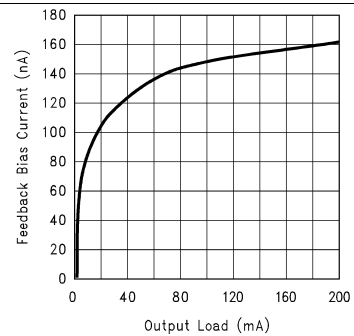


Figure 16. Feedback Bias Current vs Load

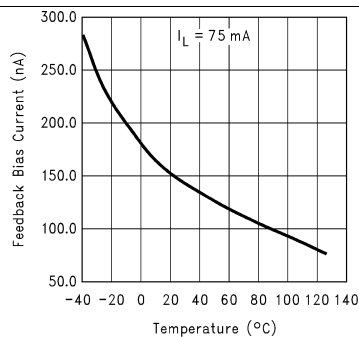


Figure 17. Feedback Bias Current vs Temperature

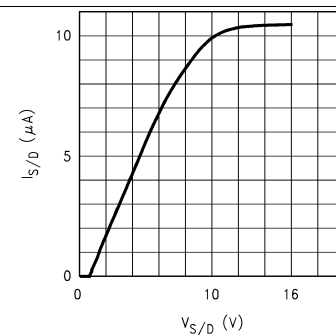
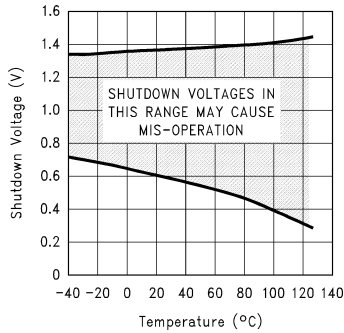


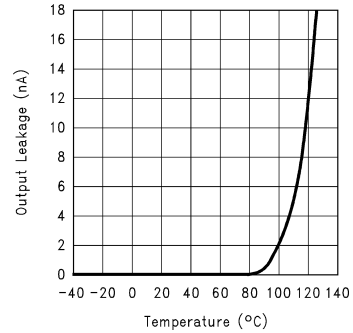
Figure 18. SHUTDOWN Pin Current vs SHUTDOWN Pin Voltage

**Typical Characteristics (continued)**

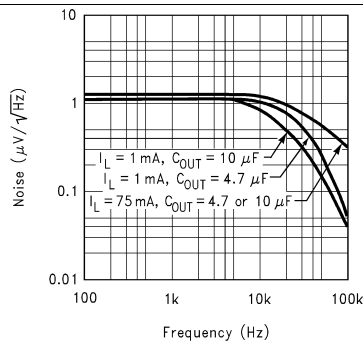
Unless otherwise specified:  $T_A = 25^\circ\text{C}$ ,  $C_{OUT} = 4.7 \mu\text{F}$ ,  $C_{IN} = 2.2 \mu\text{F}$ ,  $\overline{\text{SD}}$  is tied to  $V_{IN}$ ,  $V_{IN} = V_O(\text{NOM}) + 1 \text{ V}$ ,  $I_L = 1 \text{ mA}$ .



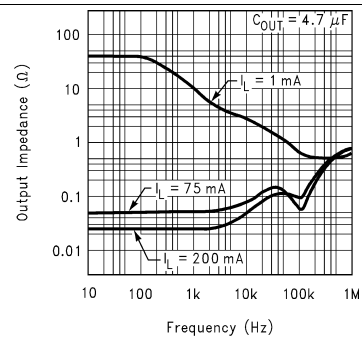
**Figure 19. Shutdown Voltage vs Temperature**



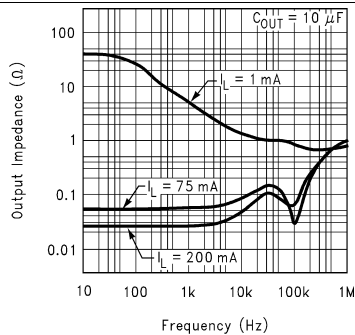
**Figure 20. Input-to-Output Leakage vs Temperature**



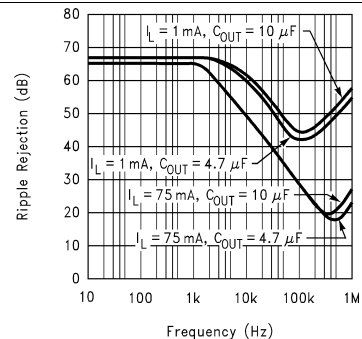
**Figure 21. Output Noise Density**



**Figure 22. Output Impedance vs Frequency**



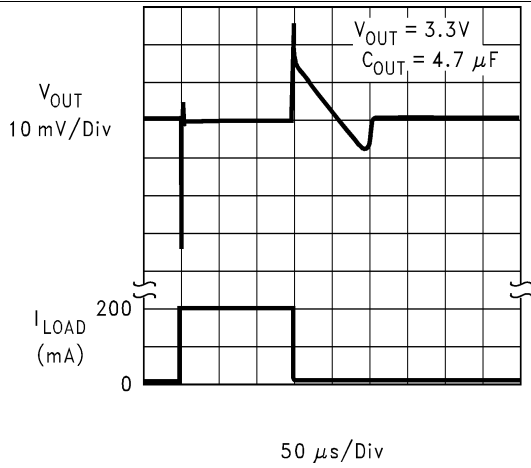
**Figure 23. Output Impedance vs Frequency**



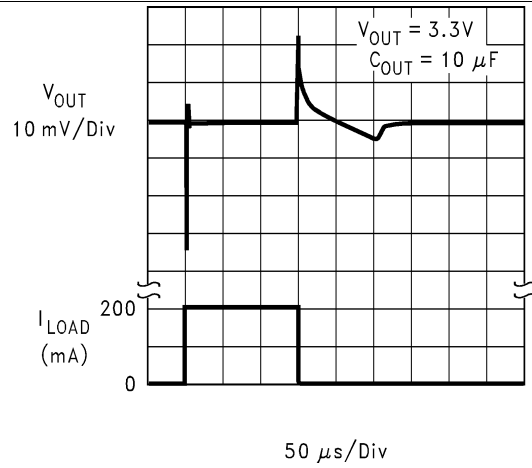
**Figure 24. Ripple Rejection**

**Typical Characteristics (continued)**

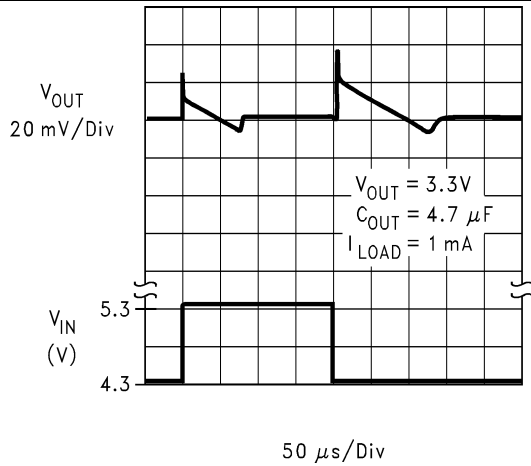
Unless otherwise specified:  $T_A = 25^\circ\text{C}$ ,  $C_{OUT} = 4.7 \mu\text{F}$ ,  $C_{IN} = 2.2 \mu\text{F}$ ,  $\overline{\text{SD}}$  is tied to  $V_{IN}$ ,  $V_{IN} = V_O(\text{NOM}) + 1 \text{ V}$ ,  $I_L = 1 \text{ mA}$ .



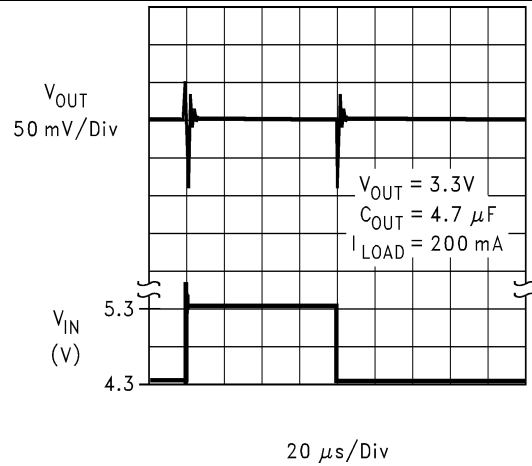
**Figure 25. Load Transient Response**



**Figure 26. Load Transient Response**



**Figure 27. Line Transient Response**



**Figure 28. Line Transient Response**

## 7 Detailed Description

### 7.1 Overview

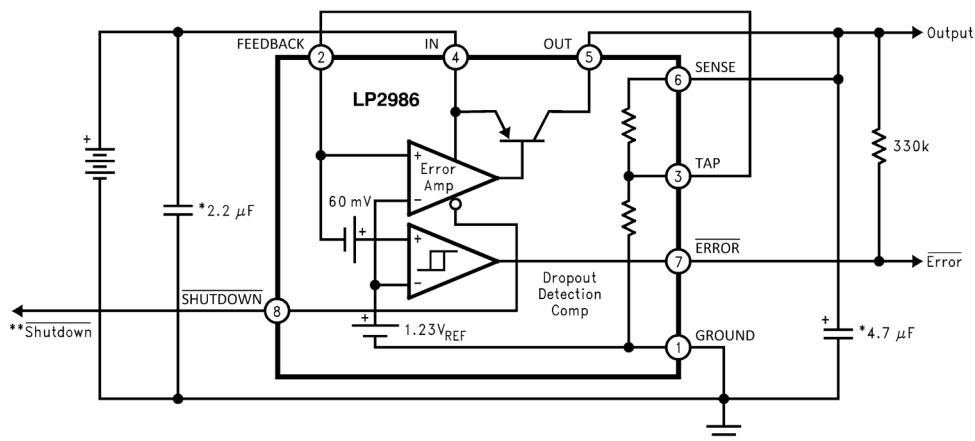
The LP2986 is a bipolar, low-dropout (LDO) voltage regulator that can accommodate a wide input supply-voltage range of up to 16 V. The LP2986 LDO is able to output either a fixed or adjustable output from the same device. By tying the OUT and SENSE pins together, and the FEEDBACK and TAP pins together, the LP2986 device outputs a fixed 5 V, 3.3 V, or 3 V (depending on the version). Alternatively, by leaving the SENSE and TAP pins open and connecting FEEDBACK to an external resistor divider, the output can be set to any value between 2.1 V to 16 V. The LP2986 device also offers additional functionality that makes it particularly suitable for battery-powered applications. For example, a logic-compatible shutdown feature allows the regulator to be put in standby mode for power savings. In addition, there is a built-in supervisor reset function in which the ERROR output goes low when  $V_{OUT}$  drops by 5% of its nominal value for whatever reasons – due to a drop in  $V_{IN}$ , current limiting, or thermal shutdown.

The LP2986 devices are designed to minimize all error contributions to the output voltage. With a tight output tolerance (0.5% at 25°C), a very low output voltage temperature coefficient (20 ppm typical), extremely good line and load regulation and remote sensing capability, the part can be used as either low-power voltage reference or 200-mA regulator.

Multiple features of the device include:

- Very high-accuracy 1.23-V reference
- Sleep mode
- Error flag output
- Internal protection circuitry, such as overcurrent limit, and thermal shutdown.

### 7.2 Functional Block Diagram



\* Minimum capacitance shown to assure stability, but may be increased without limit. Larger output capacitor provides improved dynamic response.

\*\* Shutdown input must be actively terminated. Tie to  $V_{IN}$  if not used.

### 7.3 Feature Description

#### 7.3.1 High-Accuracy Output Voltage

With special careful design to minimize all contributions to the output voltage error, the LP2989 distinguishes itself as a very high output-voltage-accuracy micro-power LDO. This includes a tight initial tolerance (0.5% typical, A grade), extremely good line regulation (0.007%/V typical).

## Feature Description (continued)

### 7.3.2 Error Detection Comparator Output

The LP2989 will generate a logic low output whenever its output falls out of regulation by more than approximately 5% below nominal. Because the  $\overline{\text{ERROR}}$  comparator has an open-collector output, an external pull-up resistor is required to pull the output up to  $V_{\text{OUT}}$  or another supply voltage (up to 16 V). The output of the comparator is rated to sink up to 300  $\mu\text{A}$ . If  $\overline{\text{ERROR}}$  pin is not used, it can be left open.

Because the  $\overline{\text{ERROR}}$  comparator has an open-collector output, an external pull-up resistor is required to pull the output up to  $V_{\text{OUT}}$  or another supply voltage (up to 16 V). The output of the comparator is rated to sink up to 300  $\mu\text{A}$ . If  $\overline{\text{ERROR}}$  pin is not used, it can be left open.

### 7.3.3 Thermal Protection

The device contains a thermal shutdown protection circuit to turn off the output current when excessive heat is dissipated in the LDO. The circuitry is not intended to replace proper heat sinking. Continuously running the device into thermal shutdown degrades its reliability.

### 7.3.4 Short-Circuit Protection (Current Limit)

The internal current limit circuit is used to protect the LDO against high-load current faults or shorting events. The LDO is not designed to operate in a steady-state current limit. During a current-limit event, the LDO sources constant current. Therefore, the output voltage falls when load impedance decreases. Note also that if a current limit occurs and the resulting output voltage is low, excessive power may be dissipated across the LDO, resulting in a thermal shutdown of the output.

## 7.4 Device Functional Modes

### 7.4.1 Shutdown Mode

The LP2986 is shut off by driving the shutdown input low, and turned on by pulling it high. If this feature is not to be used, the  $\overline{\text{SHUTDOWN}}$  input should be tied to  $V_{\text{IN}}$  to keep the regulator output on at all times.

To assure proper operation, the signal source used to drive the  $\overline{\text{SHUTDOWN}}$  input must be able to swing above and below the specified turnon/turnoff voltage thresholds listed as  $V_{\text{H}}$  and  $V_{\text{L}}$ , respectively (see [Typical Characteristics](#)).

Since the  $\overline{\text{SHUTDOWN}}$  input comparator does not have hysteresis, it is also important that the turnon (and turnoff) voltage signals applied to the  $\overline{\text{SHUTDOWN}}$  input have a slew rate which is not less than 40 mV/ $\mu\text{s}$  when moving between the  $V_{\text{H}}$  and  $V_{\text{L}}$  thresholds.

#### CAUTION

The regulator output state (either On or Off) cannot be specified if a slow-moving AC (or DC) signal is applied that is in the range between  $V_{\text{H}}$  and  $V_{\text{L}}$ .

### 7.4.2 Fixed or Adjustable Regulated Output

A unique feature of the LP2986 device is its ability to output either a fixed voltage or an adjustable voltage, depending on the external pin connections. To output the internally programmed fixed voltage, tie the SENSE pin to the OUTPUT pin and the FEEDBACK pin to the TAP pin.

Alternatively, a user-programmable voltage ranging from the internal reference to a 16-V maximum can be set by using an external resistor divider pair. The resistor divider is tied to  $V_{\text{OUT}}$ , and the divided-down voltage is tied directly to FEEDBACK for comparison against the internal voltage reference. To satisfy the steady-state condition in which its two inputs are equal, the error amplifier drives the output to equal to [Equation 1](#). For detailed information see [Application and Implementation](#).

## 8 Application and Implementation

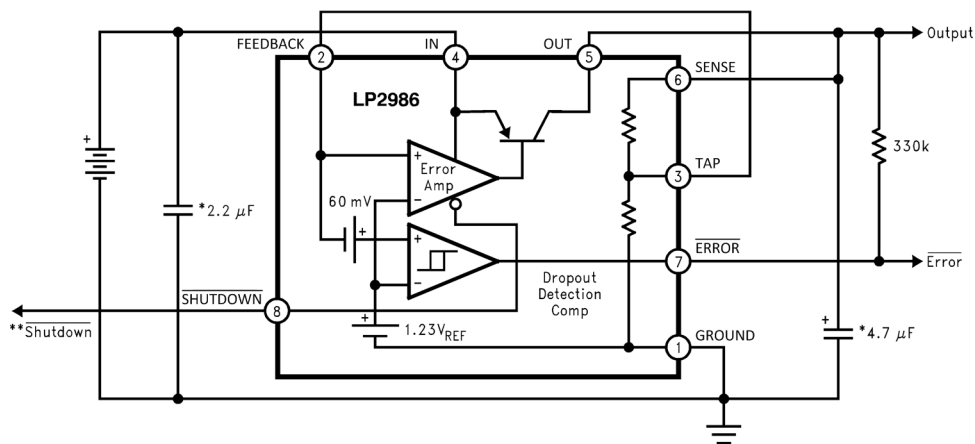
### NOTE

Information in the following applications sections is not part of the TI component specification, and TI does not warrant its accuracy or completeness. TI's customers are responsible for determining suitability of components for their purposes. Customers should validate and test their design implementation to confirm system functionality.

### 8.1 Application Information

The LP2986 can provide 200-mA output current with 2.1-V to 16-V input. It is stable with a minimum of 4.7- $\mu\text{F}$  ceramic output capacitor. An input capacitor of ( $\geq 2.2 \mu\text{F}$ ) is required. An optional external bypass capacitor reduces the output noise without slowing down the load transient response. Typical output noise is 160  $\mu\text{V}_{\text{RMS}}$  at frequencies from 300 Hz to 50 kHz. Typical power supply rejection is 65 dB at 1 kHz.

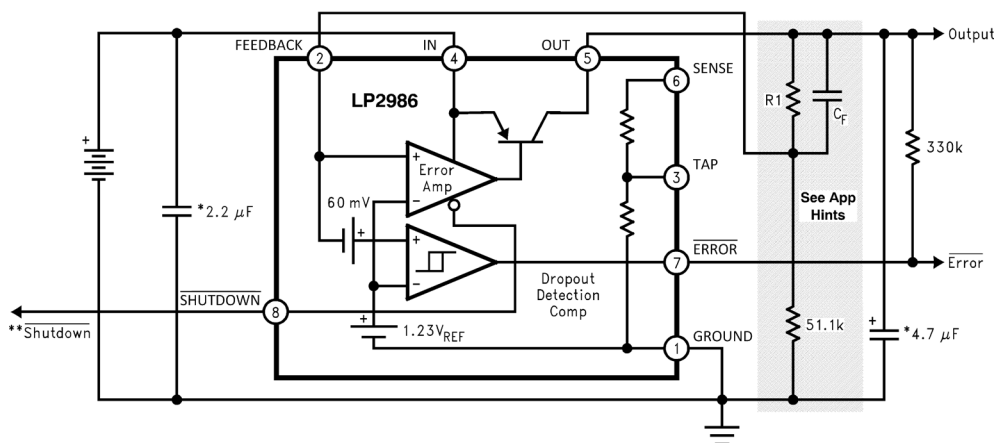
### 8.2 Typical Applications



\* Minimum capacitance shown to assure stability, but may be increased without limit. Larger output capacitor provides improved dynamic response.

\*\* Shutdown input must be actively terminated. Tie to  $V_{\text{IN}}$  if not used.

Figure 29. Application Using Internal Resistive Divider



\* Minimum capacitance shown to assure stability, but may be increased without limit. Larger output capacitor provides improved dynamic response.

\*\* Shutdown input must be actively terminated. Tie to  $V_{\text{IN}}$  if not used.

Figure 30. Application Using External Divider

## Typical Applications (continued)

### 8.2.1 Design Requirements

For typical ultra-low-dropout linear regulator applications, use the parameters listed in [Table 1](#).

**Table 1. Design Parameters**

| DESIGN PARAMETER            | EXAMPLE VALUE                      |
|-----------------------------|------------------------------------|
| Input voltage               | 4.3 V                              |
| Output voltage              | 3.3 V                              |
| Output current              | 200 mA (maximum)                   |
| RMS noise, 300 Hz to 50 kHz | 150 $\mu$ V <sub>RMS</sub> typical |
| PSRR at 1 kHz               | 65 dB typical                      |

### 8.2.2 Detailed Design Procedure

#### 8.2.2.1 Using an External Resistive Divider

The LP2986 output voltage can be programmed using an external resistive divider. [Figure 30](#) shows a typical circuit application using external resistive divider.

The resistor connected between the FEEDBACK pin and ground should be 51.1 k $\Omega$ . The value for the other resistor (R1) connected between the FEEDBACK pin and the regulated output is found using the formula:

$$V_{OUT} = V_{FB} \times (1 + (R1 / 51.1k)) \quad (1)$$

It should be noted that the 25  $\mu$ A of current flowing through the external divider is approximately equal to the current saved by not connecting the internal divider, which means the quiescent current is not increased by using external resistors.

A lead compensation capacitor ( $C_F$ ) must also be used to place a zero in the loop response at about 50 kHz. The value for  $C_F$  can be found using:

$$C_F = 1/(2\pi \times R1 \times 50k) \quad (2)$$

A good quality capacitor must be used for  $C_F$  to ensure that the value is accurate and does not change significantly over temperature. Mica or ceramic capacitors can be used, assuming a tolerance of  $\pm 20\%$  or better is selected.

If a ceramic is used, select one with a temperature coefficient of NPO, COG, Y5P, or X7R. Capacitor types Z5U, Y5V, and Z4V can not be used because their value varies more than 50% over the  $-25^\circ\text{C}$  to  $+85^\circ\text{C}$  temperature range.

#### 8.2.2.2 External Capacitors

Like any low-dropout regulator, external capacitors are required to assure stability. These capacitors must be correctly selected for proper performance.

##### 8.2.2.2.1 Input Capacitor

An input capacitor ( $\geq 2.2 \mu\text{F}$ ) is required between the LP2986 input and ground (amount of capacitance may be increased without limit).

This capacitor must be located a distance of not more than 0.5 inches from the input pin and returned to a clean analog ground. Any good quality ceramic or tantalum may be used for this capacitor.

##### 8.2.2.2.2 Output Capacitor

The output capacitor must meet the requirement for minimum amount of capacitance and also have an appropriate equivalent series resistance (ESR) value.

Curves are provided which show the allowable ESR range as a function of load current for various output voltages and capacitor values (see [Figure 31](#) and [Figure 32](#)).



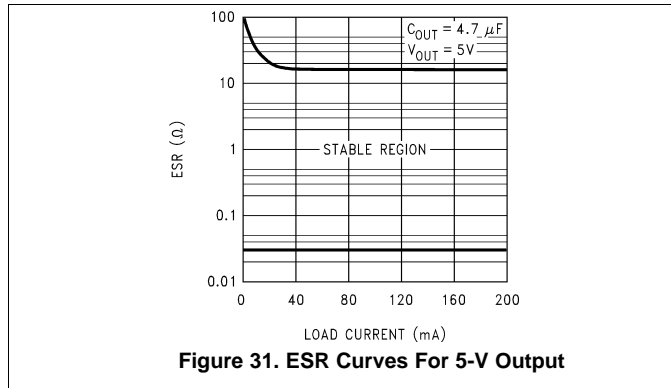


Figure 31. ESR Curves For 5-V Output

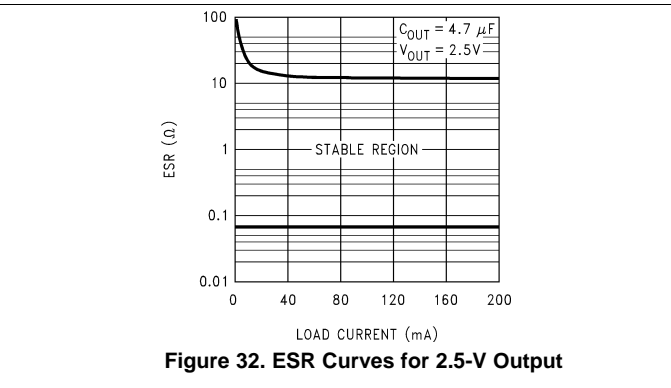


Figure 32. ESR Curves for 2.5-V Output

**NOTE**

The output capacitor must maintain its ESR in the stable region over the full operating temperature range of the application to assure stability.

The minimum required amount of output capacitance is 4.7  $\mu\text{F}$ . Output capacitor size can be increased without limit.

It is important to remember that capacitor tolerance and variation with temperature must be taken into consideration when selecting an output capacitor so that the minimum required amount of output capacitance is provided over the full operating temperature range. A good tantalum capacitor will show very little variation with temperature, but a ceramic may not be as good (see [Capacitor Characteristics](#)).

**8.2.2.3 Capacitor Characteristics**

**8.2.2.3.1 Tantalum**

The best choice for size, cost, and performance are solid tantalum capacitors. Available from many sources, their typical ESR is very close to the ideal value required on the output of many LDO regulators.

Tantalums also have good temperature stability: a 4.7  $\mu\text{F}$  was tested and showed only a 10% decline in capacitance as the temperature was decreased from +125°C to -40°C. The ESR increased only about 2:1 over the same range of temperature.

However, it should be noted that the increasing ESR at lower temperatures present in all tantalums can cause oscillations when marginal quality capacitors are used (where the ESR of the capacitor is near the upper limit of the stability range at room temperature).

**8.2.2.3.2 Ceramic**

For a given amount of a capacitance, ceramics are usually larger and more costly than tantalums.

Be warned that the ESR of a ceramic capacitor can be low enough to cause instability: a 2.2- $\mu\text{F}$  ceramic capacitor was measured and found to have an ESR of about 15 m $\Omega$ .

If a ceramic capacitor is to be used on the LP2986 output, a 1- $\Omega$  resistor should be placed in series with the capacitor to provide a minimum ESR for the regulator.

Another disadvantage of ceramic capacitors is that their capacitance varies a lot with temperature:

Large ceramic capacitors are typically manufactured with the Z5U temperature characteristic, which results in the capacitance dropping by a 50% as the temperature goes from +25°C to 80°C.

This means you have to buy a capacitor with twice the minimum  $C_{\text{OUT}}$  to assure stable operation up to 80°C.

**8.2.2.3.3 Aluminum**

The large physical size of aluminum electrolytics makes them unattractive for use with the LP2986. Their ESR characteristics are also not well suited to the requirements of LDO regulators.

The ESR of an aluminum electrolytic is higher than a tantalum, and it also varies greatly with temperature.

A typical aluminum electrolytic can exhibit an ESR increase of 50x when going from +20°C to -40°C. Also, some aluminum electrolytics can not be used below -25°C because the electrolyte will freeze.

### 8.2.2.4 Reverse Input-Output Voltage

The PNP power transistor used as the pass element in the LP2986 has an inherent diode connected between the regulator output and input.

During normal operation (where the input voltage is higher than the output) this diode is reverse-biased.

However, if the output voltage is pulled above the input, or the input voltage is pulled below the output, this diode will turn ON and current will flow into the regulator OUT pin.

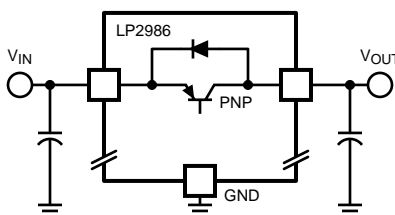


Figure 33. Inherent Diode

In such cases, a parasitic SCR can latch which will allow a high current to flow into VIN (and out the GROUND pin), which can damage the part.

In any application where the output voltage may be higher than the input, an external Schottky diode must be connected from VIN to VOUT (cathode on VIN, anode on VOUT), to limit the reverse voltage across the LP2986 to 0.3 V (see [Absolute Maximum Ratings](#)).

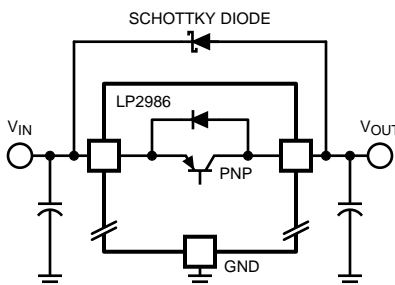
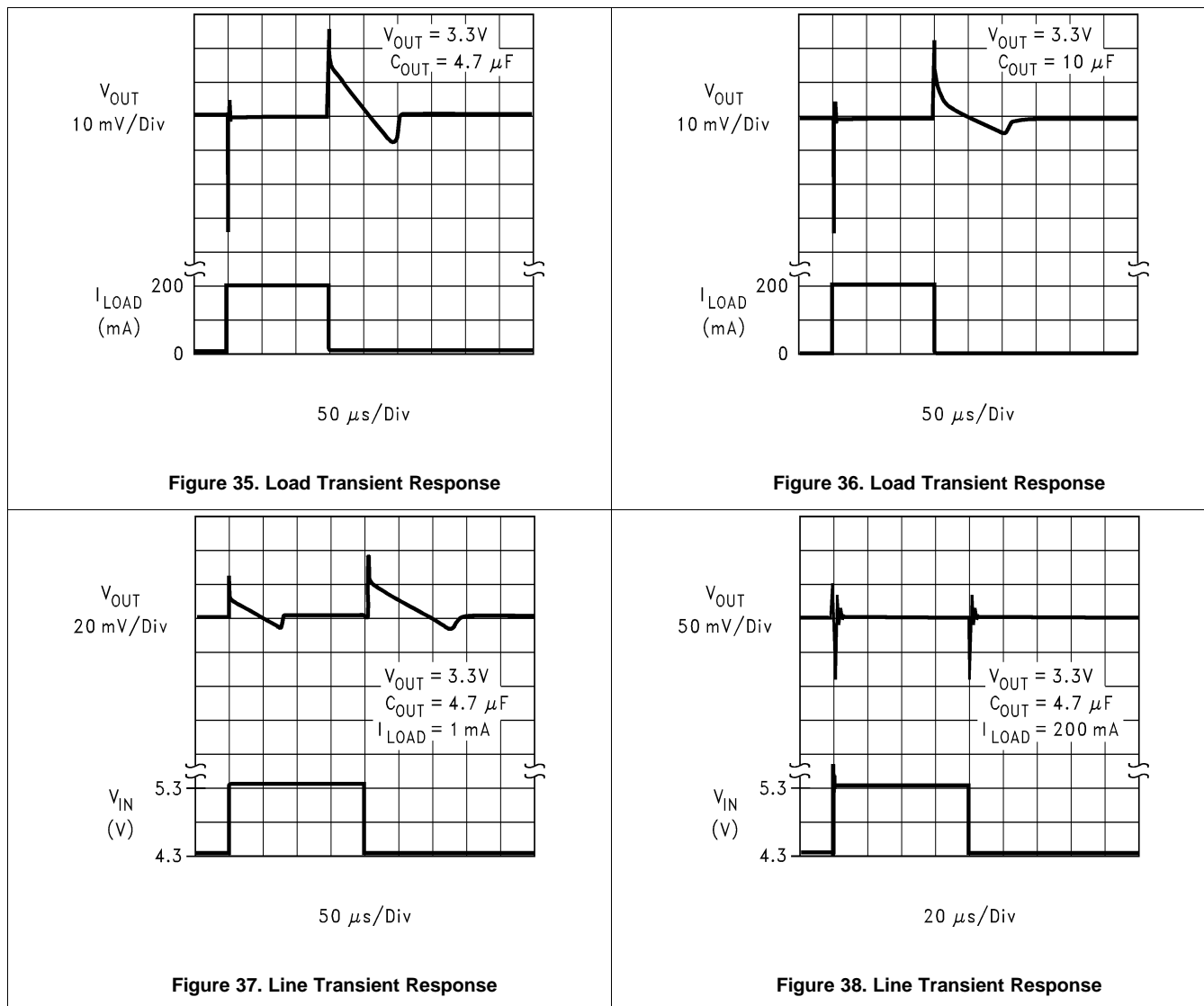


Figure 34. Inherent and External Schottky Diodes

### 8.2.2.5 WSON Package Devices

The LP2986 is offered in the 8-pin WSON surface mount package to allow for increased power dissipation compared to the 8-pin SOIC-8 and 8-pin VSSOP. For details on WSON thermal performance as well as mounting and soldering specifications, refer to [WSON Mounting](#).

### 8.2.3 Application Curves



## 9 Power Supply Recommendations

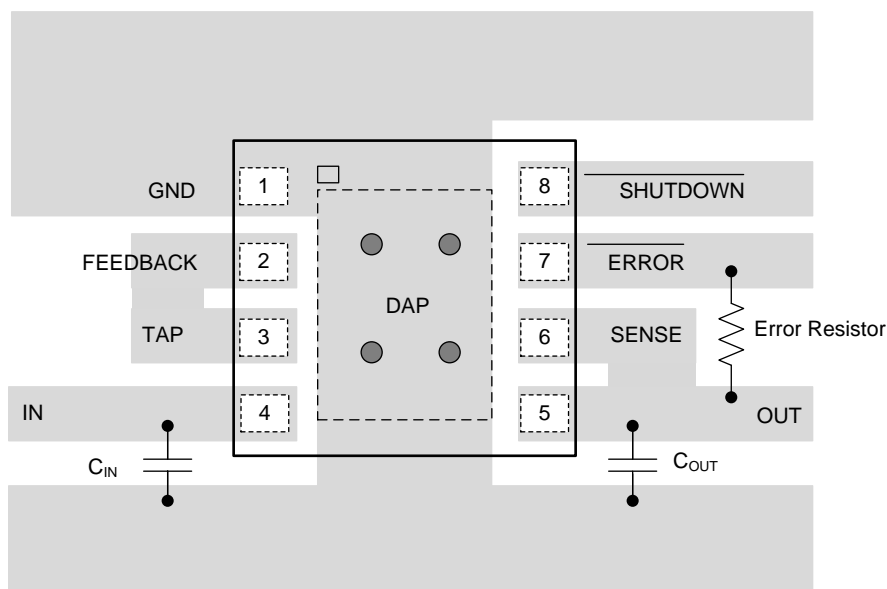
The LP2986 is designed to operate from an input voltage supply range from 2.1 V to 16 V. The input voltage range provides adequate headroom for the device to have a regulated output. This input supply must be well regulated. If the input supply is noisy, additional input capacitors with low ESR can help improve the output noise performance.

## 10 Layout

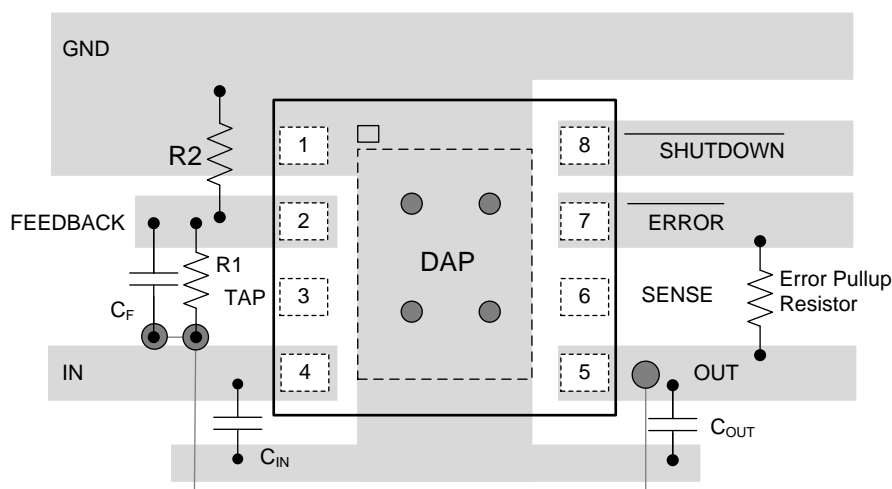
### 10.1 Layout Guidelines

For best overall performance, place all circuit components on the same side of the circuit board and as near as practical to the respective LDO pin connections. Place ground return connections to the input and output capacitor, and to the LDO ground pin as close to each other as possible, connected by a wide, component-side, copper surface. The use of vias and long traces to create LDO circuit connections is strongly discouraged and negatively affects system performance. This grounding and layout scheme minimizes inductive parasitics, and thereby reduces load-current transients, minimizes noise, and increases circuit stability. A ground reference plane is also recommended and is either embedded in the PCB itself or located on the bottom side of the PCB opposite the components. This reference plane serves to assure accuracy of the output voltage, shield noise, and behaves similar to a thermal plane to spread (or sink) heat from the LDO device. In most applications, this ground plane is necessary to meet thermal requirements.

### 10.2 Layout Examples



**Figure 39. WSON Layout with Internal Resistor Divider**



**Figure 40. WSON Layout with External Resistor Divider**

### 10.3 WSON Mounting

The LDC08A (pullback) 8-pin WSON package requires specific mounting techniques which are detailed in Texas Instruments Application Note *Leadless Leadframe Package (LLP) (SNOA401)*. Referring to the section *PCB Design Recommendations* in [SNOA401](#), the pad style which should be used with this WSON package is the NSMD (non-solder mask defined) type. Additionally, for optimal reliability, there is a recommended 1:1 ratio between the package pad and the PCB pad for the pullback WSON.

The thermal dissipation of the WSON package is directly related to the printed circuit board construction and the amount of additional copper area connected to the DAP.

The DAP (exposed pad) on the bottom of the WSON package is connected to the die substrate with a conductive die attach adhesive. The DAP has no direct electrical (wire) connection to any of the eight pins. There is a parasitic PN junction between the die substrate and the device ground. As such, it is strongly recommended that the DAP be connected directly to the ground at device pin 1 (GROUND). Alternately, but not recommended, the DAP may be left floating (that is, no electrical connection). The DAP must not be connected to any potential other than ground.

For the LP2986 in the NGN 8-pin WSON package, the junction-to-case thermal rating ( $R_{\theta JC}$ ) is 4.4°C/W, where the case is on the bottom of the package at the center of the DAP.

## 11 Device and Documentation Support

### 11.1 Documentation Support

#### 11.1.1 Related Documentation

For additional information, see the following:

Texas Instruments Application Note *Leadless Leadframe Package (LLP)* ([SNOA401](#)).

### 11.2 Community Resources

The following links connect to TI community resources. Linked contents are provided "AS IS" by the respective contributors. They do not constitute TI specifications and do not necessarily reflect TI's views; see TI's [Terms of Use](#).

**TI E2E™ Online Community** *TI's Engineer-to-Engineer (E2E) Community*. Created to foster collaboration among engineers. At [e2e.ti.com](#), you can ask questions, share knowledge, explore ideas and help solve problems with fellow engineers.

**Design Support** *TI's Design Support* Quickly find helpful E2E forums along with design support tools and contact information for technical support.

### 11.3 Trademarks

E2E is a trademark of Texas Instruments.

All other trademarks are the property of their respective owners.

### 11.4 Electrostatic Discharge Caution



These devices have limited built-in ESD protection. The leads should be shorted together or the device placed in conductive foam during storage or handling to prevent electrostatic damage to the MOS gates.

### 11.5 Glossary

[SLYZ022](#) — *TI Glossary*.

This glossary lists and explains terms, acronyms, and definitions.

## 12 Mechanical, Packaging, and Orderable Information

The following pages include mechanical, packaging, and orderable information. This information is the most current data available for the designated devices. This data is subject to change without notice and revision of this document. For browser-based versions of this data sheet, refer to the left-hand navigation.

**PACKAGING INFORMATION**

| Orderable Device     | Status<br>(1) | Package Type | Package Drawing | Pins | Package Qty | Eco Plan<br>(2) | Lead finish/<br>Ball material<br>(6) | MSL Peak Temp<br>(3) | Op Temp (°C) | Device Marking<br>(4/5) | Samples                 |
|----------------------|---------------|--------------|-----------------|------|-------------|-----------------|--------------------------------------|----------------------|--------------|-------------------------|-------------------------|
| LP2986AILD-3.3/NOPB  | ACTIVE        | WSON         | NGN             | 8    | 1000        | RoHS & Green    | SN                                   | Level-3-260C-168 HR  | -40 to 125   | L005A                   | <a href="#">Samples</a> |
| LP2986AILD-3.3/NOPB  | ACTIVE        | WSON         | NGN             | 8    | 4500        | RoHS & Green    | SN                                   | Level-3-260C-168 HR  | -40 to 125   | L005A                   | <a href="#">Samples</a> |
| LP2986AIM-3.0/NOPB   | ACTIVE        | SOIC         | D               | 8    | 95          | RoHS & Green    | SN                                   | Level-1-260C-UNLIM   | -40 to 125   | 2986A<br>IM3.0          | <a href="#">Samples</a> |
| LP2986AIM-3.3/NOPB   | ACTIVE        | SOIC         | D               | 8    | 95          | RoHS & Green    | SN                                   | Level-1-260C-UNLIM   | -40 to 125   | 2986A<br>IM3.3          | <a href="#">Samples</a> |
| LP2986AIM-5.0/NOPB   | ACTIVE        | SOIC         | D               | 8    | 95          | RoHS & Green    | SN                                   | Level-1-260C-UNLIM   | -40 to 125   | 2986A<br>IM5.0          | <a href="#">Samples</a> |
| LP2986AIMM-3.0/NOPB  | ACTIVE        | VSSOP        | DGK             | 8    | 1000        | RoHS & Green    | SN                                   | Level-1-260C-UNLIM   | -40 to 125   | L39A                    | <a href="#">Samples</a> |
| LP2986AIMM-3.3/NOPB  | ACTIVE        | VSSOP        | DGK             | 8    | 1000        | RoHS & Green    | SN                                   | Level-1-260C-UNLIM   | -40 to 125   | L40A                    | <a href="#">Samples</a> |
| LP2986AIMM-5.0/NOPB  | ACTIVE        | VSSOP        | DGK             | 8    | 1000        | RoHS & Green    | SN                                   | Level-1-260C-UNLIM   | -40 to 125   | L41A                    | <a href="#">Samples</a> |
| LP2986AIMMX-3.0/NOPB | ACTIVE        | VSSOP        | DGK             | 8    | 3500        | RoHS & Green    | SN                                   | Level-1-260C-UNLIM   | -40 to 125   | L39A                    | <a href="#">Samples</a> |
| LP2986AIMMX-5.0/NOPB | ACTIVE        | VSSOP        | DGK             | 8    | 3500        | RoHS & Green    | SN                                   | Level-1-260C-UNLIM   | -40 to 125   | L41A                    | <a href="#">Samples</a> |
| LP2986AIMX-3.3/NOPB  | ACTIVE        | SOIC         | D               | 8    | 2500        | RoHS & Green    | SN                                   | Level-1-260C-UNLIM   | -40 to 125   | 2986A<br>IM3.3          | <a href="#">Samples</a> |
| LP2986AIMX-5.0/NOPB  | ACTIVE        | SOIC         | D               | 8    | 2500        | RoHS & Green    | SN                                   | Level-1-260C-UNLIM   | -40 to 125   | 2986A<br>IM5.0          | <a href="#">Samples</a> |
| LP2986ILD-3.3/NOPB   | ACTIVE        | WSON         | NGN             | 8    | 1000        | RoHS & Green    | SN                                   | Level-3-260C-168 HR  | -40 to 125   | L005A<br>B              | <a href="#">Samples</a> |
| LP2986IM-3.0/NOPB    | ACTIVE        | SOIC         | D               | 8    | 95          | RoHS & Green    | SN                                   | Level-1-260C-UNLIM   | -40 to 125   | 2986I<br>M3.0           | <a href="#">Samples</a> |
| LP2986IM-3.3/NOPB    | ACTIVE        | SOIC         | D               | 8    | 95          | RoHS & Green    | SN                                   | Level-1-260C-UNLIM   | -40 to 125   | 2986I<br>M3.3           | <a href="#">Samples</a> |
| LP2986IM-5.0/NOPB    | ACTIVE        | SOIC         | D               | 8    | 95          | RoHS & Green    | SN                                   | Level-1-260C-UNLIM   | -40 to 125   | 2986I<br>M5.0           | <a href="#">Samples</a> |
| LP2986IMM-3.0/NOPB   | ACTIVE        | VSSOP        | DGK             | 8    | 1000        | RoHS & Green    | SN                                   | Level-1-260C-UNLIM   | -40 to 125   | L39B                    | <a href="#">Samples</a> |
| LP2986IMM-3.3/NOPB   | ACTIVE        | VSSOP        | DGK             | 8    | 1000        | RoHS & Green    | SN                                   | Level-1-260C-UNLIM   | -40 to 125   | L40B                    | <a href="#">Samples</a> |

| Orderable Device    | Status<br>(1) | Package Type | Package Drawing | Pins | Package Qty | Eco Plan<br>(2) | Lead finish/<br>Ball material<br>(6) | MSL Peak Temp<br>(3) | Op Temp (°C) | Device Marking<br>(4/5) | Samples                 |
|---------------------|---------------|--------------|-----------------|------|-------------|-----------------|--------------------------------------|----------------------|--------------|-------------------------|-------------------------|
| LP2986IMM-5.0/NOPB  | ACTIVE        | VSSOP        | DGK             | 8    | 1000        | RoHS & Green    | SN                                   | Level-1-260C-UNLIM   | -40 to 125   | L41B                    | <a href="#">Samples</a> |
| LP2986IMMX-5.0/NOPB | ACTIVE        | VSSOP        | DGK             | 8    | 3500        | RoHS & Green    | SN                                   | Level-1-260C-UNLIM   | -40 to 125   | L41B                    | <a href="#">Samples</a> |
| LP2986IMX-3.3/NOPB  | ACTIVE        | SOIC         | D               | 8    | 2500        | RoHS & Green    | SN                                   | Level-1-260C-UNLIM   | -40 to 125   | 2986I<br>M3.3           | <a href="#">Samples</a> |
| LP2986IMX-5.0/NOPB  | ACTIVE        | SOIC         | D               | 8    | 2500        | RoHS & Green    | SN                                   | Level-1-260C-UNLIM   | -40 to 125   | 2986I<br>M5.0           | <a href="#">Samples</a> |

(1) The marketing status values are defined as follows:

**ACTIVE:** Product device recommended for new designs.

**LIFEBUY:** TI has announced that the device will be discontinued, and a lifetime-buy period is in effect.

**NRND:** Not recommended for new designs. Device is in production to support existing customers, but TI does not recommend using this part in a new design.

**PREVIEW:** Device has been announced but is not in production. Samples may or may not be available.

**OBSOLETE:** TI has discontinued the production of the device.

(2) **RoHS:** TI defines "RoHS" to mean semiconductor products that are compliant with the current EU RoHS requirements for all 10 RoHS substances, including the requirement that RoHS substance do not exceed 0.1% by weight in homogeneous materials. Where designed to be soldered at high temperatures, "RoHS" products are suitable for use in specified lead-free processes. TI may reference these types of products as "Pb-Free".

**RoHS Exempt:** TI defines "RoHS Exempt" to mean products that contain lead but are compliant with EU RoHS pursuant to a specific EU RoHS exemption.

**Green:** TI defines "Green" to mean the content of Chlorine (Cl) and Bromine (Br) based flame retardants meet JS709B low halogen requirements of <=1000ppm threshold. Antimony trioxide based flame retardants must also meet the <=1000ppm threshold requirement.

(3) MSL, Peak Temp. - The Moisture Sensitivity Level rating according to the JEDEC industry standard classifications, and peak solder temperature.

(4) There may be additional marking, which relates to the logo, the lot trace code information, or the environmental category on the device.

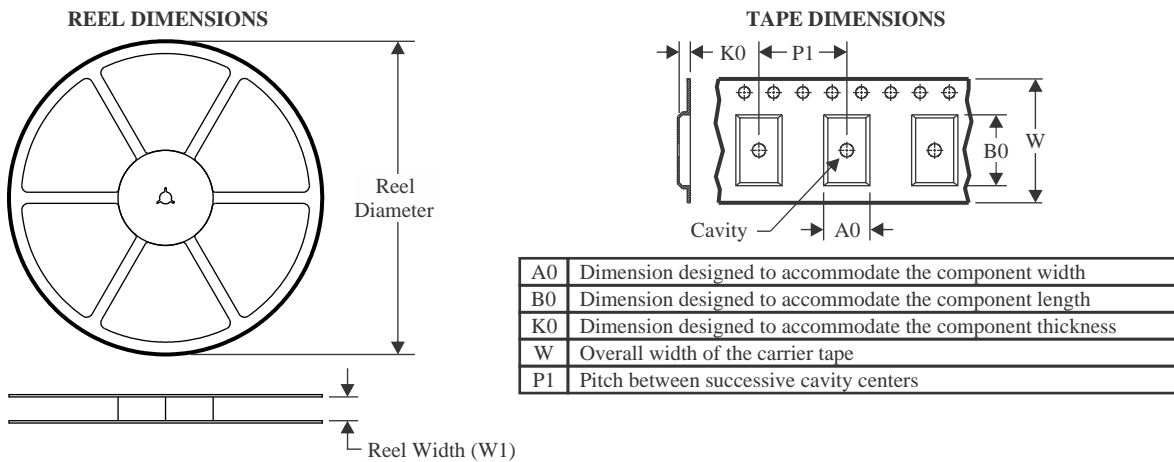
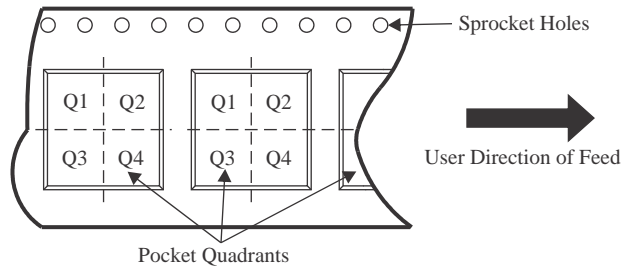
(5) Multiple Device Markings will be inside parentheses. Only one Device Marking contained in parentheses and separated by a "~" will appear on a device. If a line is indented then it is a continuation of the previous line and the two combined represent the entire Device Marking for that device.

(6) Lead finish/Ball material - Orderable Devices may have multiple material finish options. Finish options are separated by a vertical ruled line. Lead finish/Ball material values may wrap to two lines if the finish value exceeds the maximum column width.

**Important Information and Disclaimer:**The information provided on this page represents TI's knowledge and belief as of the date that it is provided. TI bases its knowledge and belief on information provided by third parties, and makes no representation or warranty as to the accuracy of such information. Efforts are underway to better integrate information from third parties. TI has taken and continues to take reasonable steps to provide representative and accurate information but may not have conducted destructive testing or chemical analysis on incoming materials and chemicals. TI and TI suppliers consider certain information to be proprietary, and thus CAS numbers and other limited information may not be available for release.



In no event shall TI's liability arising out of such information exceed the total purchase price of the TI part(s) at issue in this document sold by TI to Customer on an annual basis.

**TAPE AND REEL INFORMATION**

**QUADRANT ASSIGNMENTS FOR PIN 1 ORIENTATION IN TAPE**


\*All dimensions are nominal

| Device               | Package Type | Package Drawing | Pins | SPQ  | Reel Diameter (mm) | Reel Width W1 (mm) | A0 (mm) | B0 (mm) | K0 (mm) | P1 (mm) | W (mm) | Pin1 Quadrant |
|----------------------|--------------|-----------------|------|------|--------------------|--------------------|---------|---------|---------|---------|--------|---------------|
| LP2986AILD-3.3/NOPB  | WSOP         | NGN             | 8    | 1000 | 178.0              | 12.4               | 4.3     | 4.3     | 1.3     | 8.0     | 12.0   | Q1            |
| LP2986AILD-3.3/NOPB  | WSOP         | NGN             | 8    | 4500 | 330.0              | 12.4               | 4.3     | 4.3     | 1.3     | 8.0     | 12.0   | Q1            |
| LP2986AIMM-3.0/NOPB  | VSSOP        | DGK             | 8    | 1000 | 178.0              | 12.4               | 5.3     | 3.4     | 1.4     | 8.0     | 12.0   | Q1            |
| LP2986AIMM-3.3/NOPB  | VSSOP        | DGK             | 8    | 1000 | 178.0              | 12.4               | 5.3     | 3.4     | 1.4     | 8.0     | 12.0   | Q1            |
| LP2986AIMM-5.0/NOPB  | VSSOP        | DGK             | 8    | 1000 | 178.0              | 12.4               | 5.3     | 3.4     | 1.4     | 8.0     | 12.0   | Q1            |
| LP2986AIMMX-3.0/NOPB | VSSOP        | DGK             | 8    | 3500 | 330.0              | 12.4               | 5.3     | 3.4     | 1.4     | 8.0     | 12.0   | Q1            |
| LP2986AIMMX-5.0/NOPB | VSSOP        | DGK             | 8    | 3500 | 330.0              | 12.4               | 5.3     | 3.4     | 1.4     | 8.0     | 12.0   | Q1            |
| LP2986AIMX-3.3/NOPB  | SOIC         | D               | 8    | 2500 | 330.0              | 12.4               | 6.5     | 5.4     | 2.0     | 8.0     | 12.0   | Q1            |
| LP2986AIMX-5.0/NOPB  | SOIC         | D               | 8    | 2500 | 330.0              | 12.4               | 6.5     | 5.4     | 2.0     | 8.0     | 12.0   | Q1            |
| LP2986ILD-3.3/NOPB   | WSOP         | NGN             | 8    | 1000 | 178.0              | 12.4               | 4.3     | 4.3     | 1.3     | 8.0     | 12.0   | Q1            |
| LP2986IMM-3.0/NOPB   | VSSOP        | DGK             | 8    | 1000 | 178.0              | 12.4               | 5.3     | 3.4     | 1.4     | 8.0     | 12.0   | Q1            |
| LP2986IMM-3.3/NOPB   | VSSOP        | DGK             | 8    | 1000 | 178.0              | 12.4               | 5.3     | 3.4     | 1.4     | 8.0     | 12.0   | Q1            |
| LP2986IMM-5.0/NOPB   | VSSOP        | DGK             | 8    | 1000 | 178.0              | 12.4               | 5.3     | 3.4     | 1.4     | 8.0     | 12.0   | Q1            |
| LP2986IMMX-5.0/NOPB  | VSSOP        | DGK             | 8    | 3500 | 330.0              | 12.4               | 5.3     | 3.4     | 1.4     | 8.0     | 12.0   | Q1            |
| LP2986IMX-3.3/NOPB   | SOIC         | D               | 8    | 2500 | 330.0              | 12.4               | 6.5     | 5.4     | 2.0     | 8.0     | 12.0   | Q1            |
| LP2986IMX-5.0/NOPB   | SOIC         | D               | 8    | 2500 | 330.0              | 12.4               | 6.5     | 5.4     | 2.0     | 8.0     | 12.0   | Q1            |

**TAPE AND REEL BOX DIMENSIONS**

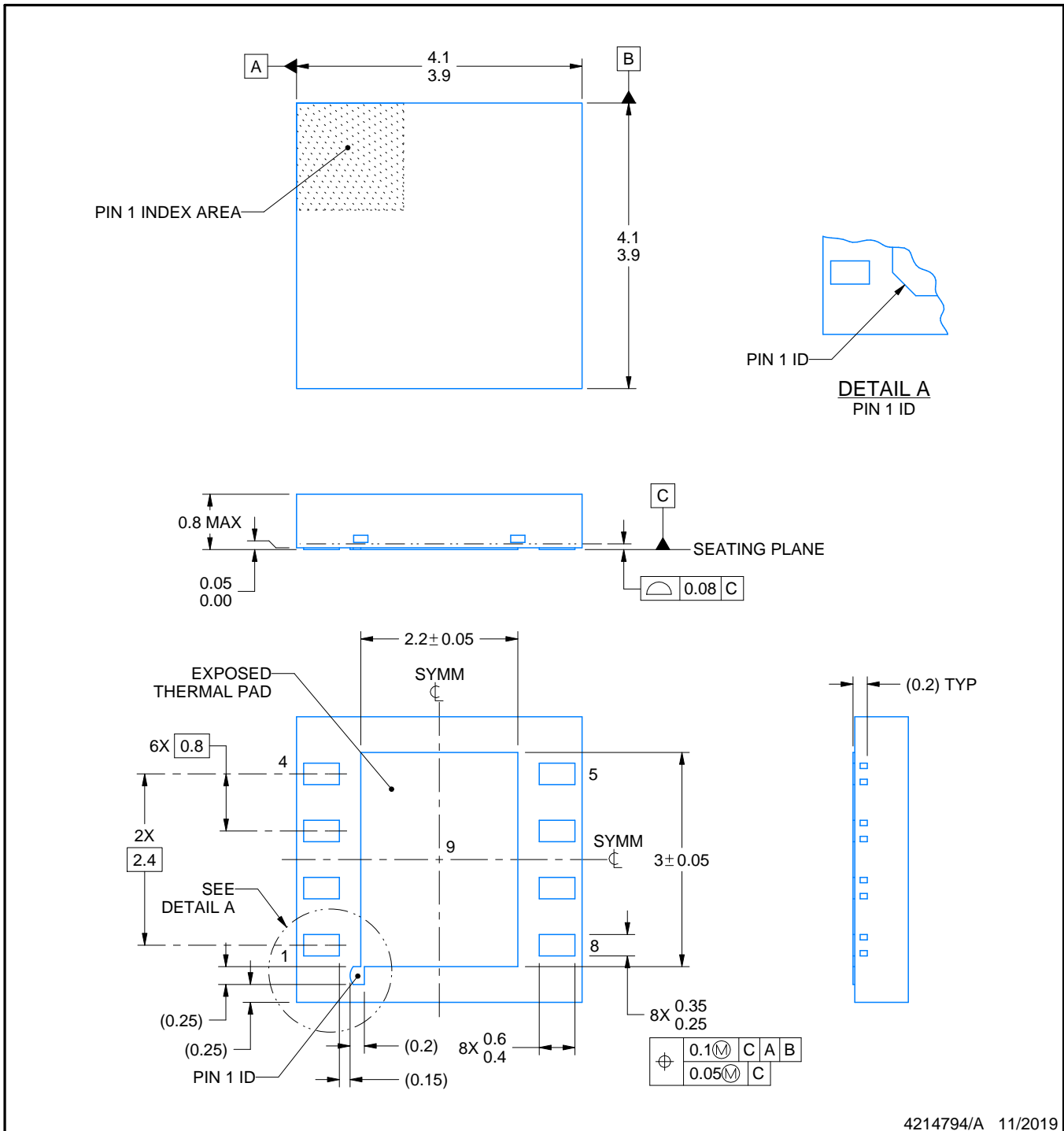
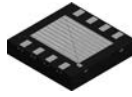

\*All dimensions are nominal

| Device               | Package Type | Package Drawing | Pins | SPQ  | Length (mm) | Width (mm) | Height (mm) |
|----------------------|--------------|-----------------|------|------|-------------|------------|-------------|
| LP2986AILD-3.3/NOPB  | WSON         | NGN             | 8    | 1000 | 208.0       | 191.0      | 35.0        |
| LP2986AILDX-3.3/NOPB | WSON         | NGN             | 8    | 4500 | 356.0       | 356.0      | 36.0        |
| LP2986AIMM-3.0/NOPB  | VSSOP        | DGK             | 8    | 1000 | 208.0       | 191.0      | 35.0        |
| LP2986AIMM-3.3/NOPB  | VSSOP        | DGK             | 8    | 1000 | 208.0       | 191.0      | 35.0        |
| LP2986AIMM-5.0/NOPB  | VSSOP        | DGK             | 8    | 1000 | 208.0       | 191.0      | 35.0        |
| LP2986AIMMX-3.0/NOPB | VSSOP        | DGK             | 8    | 3500 | 367.0       | 367.0      | 35.0        |
| LP2986AIMMX-5.0/NOPB | VSSOP        | DGK             | 8    | 3500 | 367.0       | 367.0      | 35.0        |
| LP2986AIMX-3.3/NOPB  | SOIC         | D               | 8    | 2500 | 367.0       | 367.0      | 35.0        |
| LP2986AIMX-5.0/NOPB  | SOIC         | D               | 8    | 2500 | 367.0       | 367.0      | 35.0        |
| LP2986ILD-3.3/NOPB   | WSON         | NGN             | 8    | 1000 | 208.0       | 191.0      | 35.0        |
| LP2986IMM-3.0/NOPB   | VSSOP        | DGK             | 8    | 1000 | 208.0       | 191.0      | 35.0        |
| LP2986IMM-3.3/NOPB   | VSSOP        | DGK             | 8    | 1000 | 208.0       | 191.0      | 35.0        |
| LP2986IMM-5.0/NOPB   | VSSOP        | DGK             | 8    | 1000 | 208.0       | 191.0      | 35.0        |
| LP2986IMMX-5.0/NOPB  | VSSOP        | DGK             | 8    | 3500 | 367.0       | 367.0      | 35.0        |
| LP2986IMX-3.3/NOPB   | SOIC         | D               | 8    | 2500 | 367.0       | 367.0      | 35.0        |
| LP2986IMX-5.0/NOPB   | SOIC         | D               | 8    | 2500 | 367.0       | 367.0      | 35.0        |

**TUBE**


\*All dimensions are nominal

| Device             | Package Name | Package Type | Pins | SPQ | L (mm) | W (mm) | T (μm) | B (mm) |
|--------------------|--------------|--------------|------|-----|--------|--------|--------|--------|
| LP2986AIM-3.0/NOPB | D            | SOIC         | 8    | 95  | 495    | 8      | 4064   | 3.05   |
| LP2986AIM-3.3/NOPB | D            | SOIC         | 8    | 95  | 495    | 8      | 4064   | 3.05   |
| LP2986AIM-3.3/NOPB | D            | SOIC         | 8    | 95  | 495    | 8      | 4064   | 3.05   |
| LP2986AIM-5.0/NOPB | D            | SOIC         | 8    | 95  | 495    | 8      | 4064   | 3.05   |
| LP2986IM-3.0/NOPB  | D            | SOIC         | 8    | 95  | 495    | 8      | 4064   | 3.05   |
| LP2986IM-3.3/NOPB  | D            | SOIC         | 8    | 95  | 495    | 8      | 4064   | 3.05   |
| LP2986IM-5.0/NOPB  | D            | SOIC         | 8    | 95  | 495    | 8      | 4064   | 3.05   |



4214794/A 11/2019

NOTES:

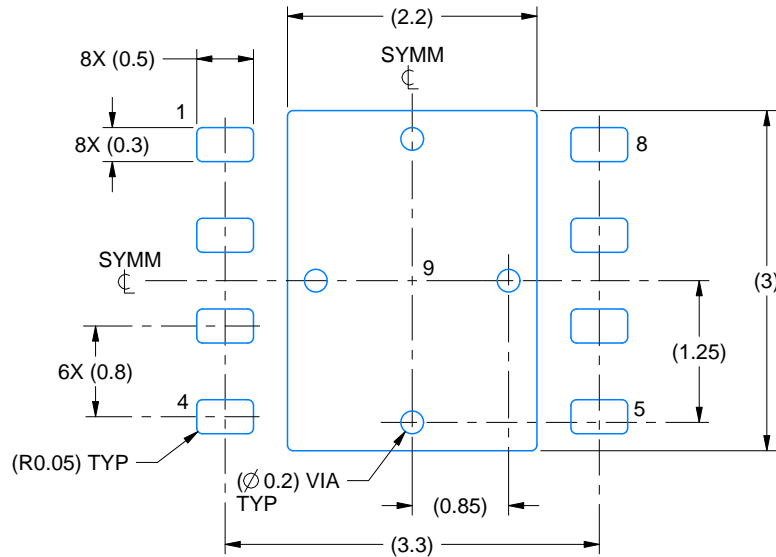
1. All linear dimensions are in millimeters. Any dimensions in parenthesis are for reference only. Dimensioning and tolerancing per ASME Y14.5M.
2. This drawing is subject to change without notice.
3. The package thermal pad must be soldered to the printed circuit board for thermal and mechanical performance.

# EXAMPLE BOARD LAYOUT

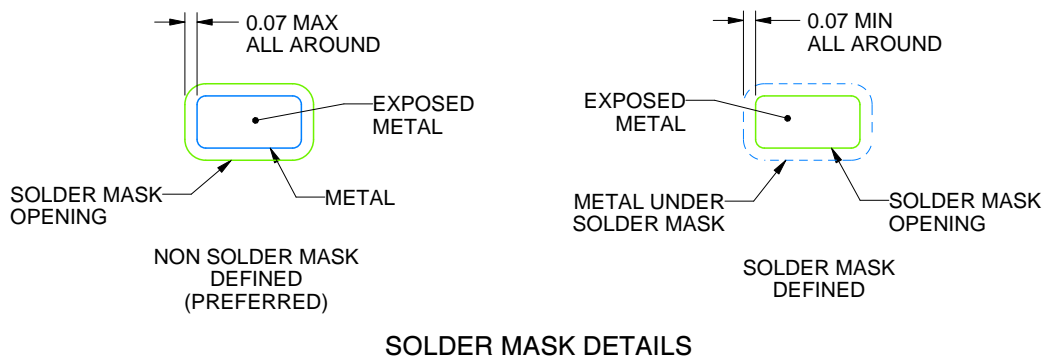
NGN0008A

WSON - 0.8 mm max height

PLASTIC SMALL OUTLINE - NO LEAD



LAND PATTERN EXAMPLE  
EXPOSED METAL SHOWN  
SCALE:15X



SOLDER MASK DETAILS

4214794/A 11/2019

NOTES: (continued)

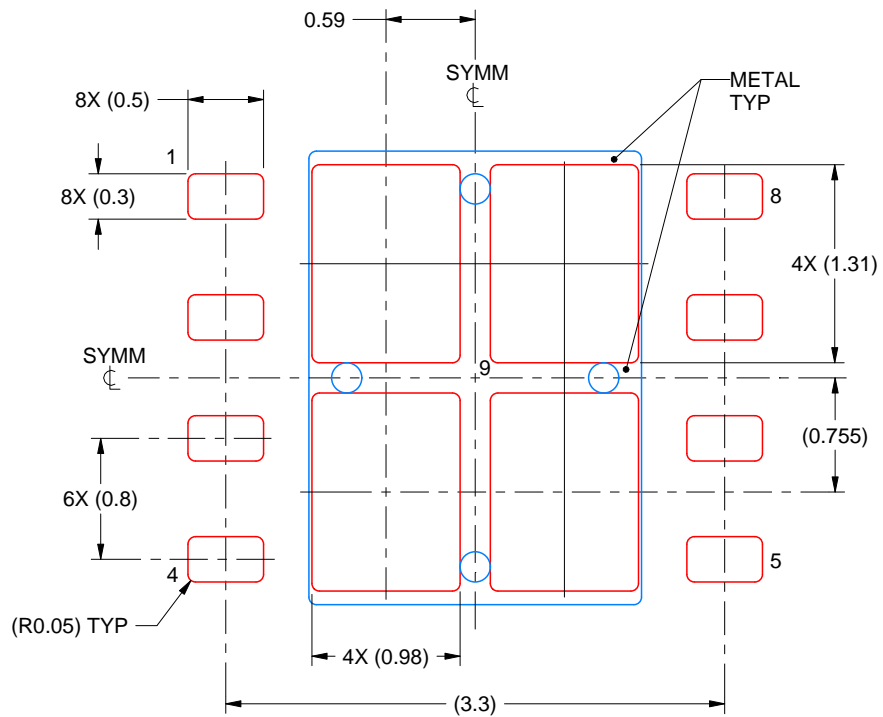
4. This package is designed to be soldered to a thermal pad on the board. For more information, see Texas Instruments literature number SLUA271 ([www.ti.com/lit/slue271](http://www.ti.com/lit/slue271)).
5. Vias are optional depending on application, refer to device data sheet. If any vias are implemented, refer to their locations shown on this view. It is recommended that vias under paste be filled, plugged or tented.

# EXAMPLE STENCIL DESIGN

NGN0008A

WSON - 0.8 mm max height

PLASTIC SMALL OUTLINE - NO LEAD



SOLDER PASTE EXAMPLE  
BASED ON 0.125 mm THICK STENCIL

EXPOSED PAD 9:  
78% PRINTED SOLDER COVERAGE BY AREA UNDER PACKAGE  
SCALE:20X

4214794/A 11/2019

NOTES: (continued)

6. Laser cutting apertures with trapezoidal walls and rounded corners may offer better paste release. IPC-7525 may have alternate design recommendations.



D0008A

# PACKAGE OUTLINE

SOIC - 1.75 mm max height

SMALL OUTLINE INTEGRATED CIRCUIT



4214825/C 02/2019

NOTES:

1. Linear dimensions are in inches [millimeters]. Dimensions in parenthesis are for reference only. Controlling dimensions are in inches. Dimensioning and tolerancing per ASME Y14.5M.
2. This drawing is subject to change without notice.
3. This dimension does not include mold flash, protrusions, or gate burrs. Mold flash, protrusions, or gate burrs shall not exceed  $.006$  [0.15] per side.
4. This dimension does not include interlead flash.
5. Reference JEDEC registration MS-012, variation AA.



# EXAMPLE BOARD LAYOUT

D0008A

SOIC - 1.75 mm max height

SMALL OUTLINE INTEGRATED CIRCUIT



LAND PATTERN EXAMPLE  
EXPOSED METAL SHOWN  
SCALE:8X



SOLDER MASK DETAILS

4214825/C 02/2019

NOTES: (continued)

6. Publication IPC-7351 may have alternate designs.

7. Solder mask tolerances between and around signal pads can vary based on board fabrication site.

# EXAMPLE STENCIL DESIGN

D0008A

SOIC - 1.75 mm max height

SMALL OUTLINE INTEGRATED CIRCUIT



SOLDER PASTE EXAMPLE  
BASED ON .005 INCH [0.125 MM] THICK STENCIL  
SCALE:8X

4214825/C 02/2019

NOTES: (continued)

8. Laser cutting apertures with trapezoidal walls and rounded corners may offer better paste release. IPC-7525 may have alternate design recommendations.
9. Board assembly site may have different recommendations for stencil design.

# DGK0008A



# PACKAGE OUTLINE

VSSOP - 1.1 mm max height

SMALL OUTLINE PACKAGE



**NOTES:**

PowerPAD is a trademark of Texas Instruments.

1. All linear dimensions are in millimeters. Any dimensions in parenthesis are for reference only. Dimensioning and tolerancing per ASME Y14.5M.
2. This drawing is subject to change without notice.
3. This dimension does not include mold flash, protrusions, or gate burrs. Mold flash, protrusions, or gate burrs shall not exceed 0.15 mm per side.
4. This dimension does not include interlead flash. Interlead flash shall not exceed 0.25 mm per side.
5. Reference JEDEC registration MO-187.

# EXAMPLE BOARD LAYOUT

DGK0008A

™ VSSOP - 1.1 mm max height

SMALL OUTLINE PACKAGE



LAND PATTERN EXAMPLE  
EXPOSED METAL SHOWN  
SCALE: 15X



SOLDER MASK DETAILS

4214862/A 04/2023

NOTES: (continued)

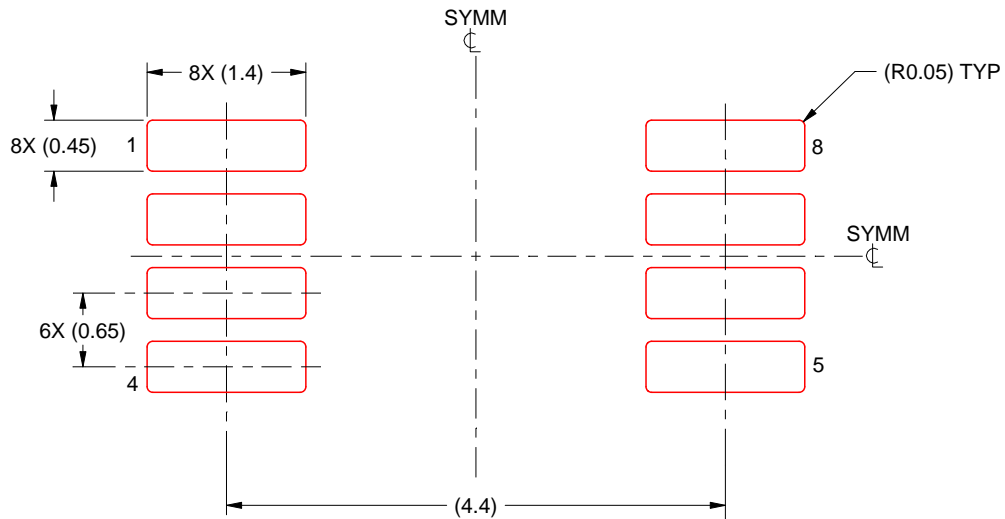
6. Publication IPC-7351 may have alternate designs.
7. Solder mask tolerances between and around signal pads can vary based on board fabrication site.
8. Vias are optional depending on application, refer to device data sheet. If any vias are implemented, refer to their locations shown on this view. It is recommended that vias under paste be filled, plugged or tented.
9. Size of metal pad may vary due to creepage requirement.

# EXAMPLE STENCIL DESIGN

DGK0008A

™ VSSOP - 1.1 mm max height

SMALL OUTLINE PACKAGE



SOLDER PASTE EXAMPLE  
SCALE: 15X

4214862/A 04/2023

NOTES: (continued)

11. Laser cutting apertures with trapezoidal walls and rounded corners may offer better paste release. IPC-7525 may have alternate design recommendations.
12. Board assembly site may have different recommendations for stencil design.

## IMPORTANT NOTICE AND DISCLAIMER

TI PROVIDES TECHNICAL AND RELIABILITY DATA (INCLUDING DATA SHEETS), DESIGN RESOURCES (INCLUDING REFERENCE DESIGNS), APPLICATION OR OTHER DESIGN ADVICE, WEB TOOLS, SAFETY INFORMATION, AND OTHER RESOURCES "AS IS" AND WITH ALL FAULTS, AND DISCLAIMS ALL WARRANTIES, EXPRESS AND IMPLIED, INCLUDING WITHOUT LIMITATION ANY IMPLIED WARRANTIES OF MERCHANTABILITY, FITNESS FOR A PARTICULAR PURPOSE OR NON-INFRINGEMENT OF THIRD PARTY INTELLECTUAL PROPERTY RIGHTS.

These resources are intended for skilled developers designing with TI products. You are solely responsible for (1) selecting the appropriate TI products for your application, (2) designing, validating and testing your application, and (3) ensuring your application meets applicable standards, and any other safety, security, regulatory or other requirements.

These resources are subject to change without notice. TI grants you permission to use these resources only for development of an application that uses the TI products described in the resource. Other reproduction and display of these resources is prohibited. No license is granted to any other TI intellectual property right or to any third party intellectual property right. TI disclaims responsibility for, and you will fully indemnify TI and its representatives against, any claims, damages, costs, losses, and liabilities arising out of your use of these resources.

TI's products are provided subject to [TI's Terms of Sale](#) or other applicable terms available either on [ti.com](https://www.ti.com) or provided in conjunction with such TI products. TI's provision of these resources does not expand or otherwise alter TI's applicable warranties or warranty disclaimers for TI products.

TI objects to and rejects any additional or different terms you may have proposed.

Mailing Address: Texas Instruments, Post Office Box 655303, Dallas, Texas 75265  
Copyright © 2024, Texas Instruments Incorporated