

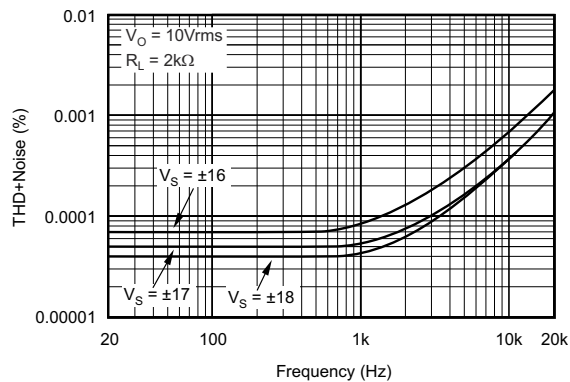
OPAx134 High-Performance, SoundPlus™ Audio Operational Amplifiers

1 Features

- Excellent sound quality
- Ultra-low distortion: 0.00008%
- Low noise: $8\text{nV}/\sqrt{\text{Hz}}$
- True FET-input: $I_B = 5\text{pA}$
- High speed:
 - Slew rate: $20\text{V}/\mu\text{s}$
 - Bandwidth: 8MHz
- High open-loop gain: 120dB ($2\text{k}\Omega$)
- Wide supply range: $\pm 2.5\text{V}$ to $\pm 18\text{V}$
- Single, dual, and quad versions

2 Applications

- Professional audio and music
- Line drivers
- Line receivers
- Multimedia audio
- Active filters
- Preamplifiers
- Integrators
- Crossover networks



THD+Noise vs Frequency

3 Description

The OPA134, OPA2134, and OPA4134 (OPAx134) series are ultra-low distortion, low-noise operational amplifiers fully specified for audio applications. A true FET input stage is incorporated to provide excellent sound quality and speed for exceptional audio performance. This feature, in combination with high output drive capability and excellent dc performance, allows for use in a wide variety of demanding applications. In addition, the OPAx134 series has a wide output swing, to within 1V of the rails, allowing increased headroom and making these devices an excellent choice for use in any audio circuit.

The OPAx134 SoundPlus™ audio operational amplifiers are easy to use and free from phase-inversion and the overload problems often found in common FET-input operational amplifiers. The devices can be operated from $\pm 2.5\text{V}$ to $\pm 18\text{V}$ power supplies. Input cascode circuitry provides excellent common-mode rejection and maintains low input bias current over the wide input voltage range, minimizing distortion. The OPAx134 series operational amplifiers are unity-gain stable and provide excellent dynamic behavior over a wide range of load conditions, including high load capacitance. The dual and quad versions feature completely independent circuitry for lowest crosstalk and freedom from interaction, even when overdriven or overloaded.

Single and dual versions are available in 8-pin DIP and SO-8 surface-mount packages in standard configurations. The quad is available in SO-14 surface-mount package. All are specified for -40°C to $+85^\circ\text{C}$ operation. A SPICE macromodel is available for design analysis.

Device Information

PART NUMBER	CHANNEL COUNT	PACKAGE ⁽¹⁾
OPA134	Single	D (SOIC, 8)
		P (PDIP, 8)
OPA2134	Dual	D (SOIC, 8)
		P (PDIP, 8)
OPA4134	Quad	D (SOIC, 14)

(1) For more information, see also [Section 10](#).



Table of Contents

1 Features	1	6.4 Device Functional Modes.....	15
2 Applications	1	7 Application and Implementation	16
3 Description	1	7.1 Application Information.....	16
4 Pin Configuration and Functions	3	7.2 Typical Application.....	17
5 Specifications	5	7.3 Power Supply Recommendations.....	18
5.1 Absolute Maximum Ratings.....	5	7.4 Layout.....	18
5.2 ESD Ratings.....	5	8 Device and Documentation Support	20
5.3 Recommended Operating Conditions.....	5	8.1 Device Support.....	20
5.4 Thermal Information - OPA134.....	6	8.2 Documentation Support.....	20
5.5 Thermal Information - OPA2134.....	6	8.3 Receiving Notification of Documentation Updates....	20
5.6 Thermal Information - OPA4134.....	6	8.4 Support Resources.....	20
5.7 Electrical Characteristics.....	7	8.5 Trademarks.....	20
5.8 Typical Characteristics.....	9	8.6 Electrostatic Discharge Caution.....	21
6 Detailed Description	13	8.7 Glossary.....	21
6.1 Overview.....	13	9 Revision History	21
6.2 Feature Description.....	13	10 Mechanical, Packaging, and Orderable Information	22
6.3 Functional Block Diagram.....	15		

4 Pin Configuration and Functions

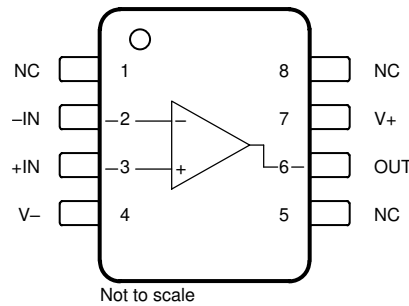


Figure 4-1. OPA134: D Package, 8-Pin SOIC, and P Package, 8-Pin PDIP (Top View)

Pin Functions: OPA134

PIN		TYPE	DESCRIPTION
NAME	NO.		
+IN	3	Input	Noninverting input
-IN	2	Input	Inverting input
NC	1, 5	—	Do not connect these pins ⁽¹⁾
NC	8	—	No internal connection. Float this pin.
Output	6	Output	Output
V+	7	Power	Positive power supply
V-	4	Power	Negative power supply

(1) Existing layouts for the OPA134 before revision B of this data sheet do not need to be redesigned.

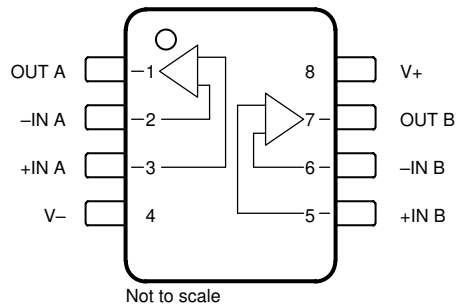


Figure 4-2. OPA2134: D Package, 8-Pin SOIC, and P Package, 8-Pin PDIP (Top View)

Table 4-1. Pin Functions: OPA2134

PIN		TYPE	DESCRIPTION
NAME	NO.		
+IN A	3	Input	Noninverting input, channel A
+IN B	5	Input	Noninverting input, channel B
-IN A	2	Input	Inverting input, channel A
-IN B	6	Input	Inverting input, channel B
OUT A	1	Output	Output, channel A
OUT B	7	Output	Output, channel B
V+	8	Power	Positive (highest) power supply
V-	4	Power	Negative (lowest) power supply

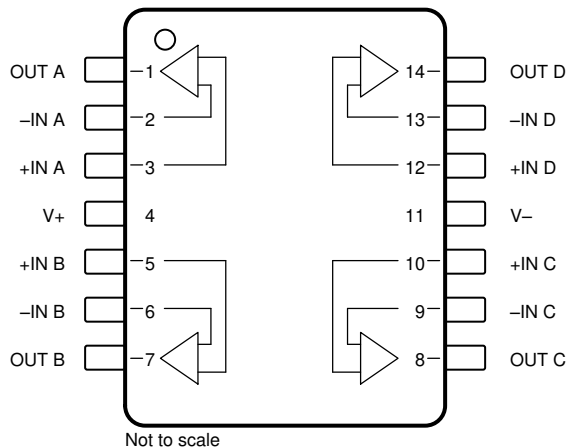


Figure 4-3. OPA4134: D Package, 14-Pin SOIC (Top View)

Table 4-2. Pin Functions: OPA4134

PIN		TYPE	DESCRIPTION
NAME	NO.		
+IN A	3	Input	Noninverting input, channel A
+IN B	5	Input	Noninverting input, channel B
+IN C	10	Input	Noninverting input, channel C
+IN D	12	Input	Noninverting input, channel D
-IN A	2	Input	Inverting input, channel A
-IN B	6	Input	Inverting input, channel B
-IN C	9	Input	Inverting input, channel C
-IN D	13	Input	Inverting input, channel D
OUT A	1	Output	Output, channel A
OUT B	7	Output	Output, channel B
OUT C	8	Output	Output, channel C
OUT D	14	Output	Output, channel D
V+	4	Power	Positive (highest) power supply
V-	11	Power	Negative (lowest) power supply

5 Specifications

5.1 Absolute Maximum Ratings

over operating free-air temperature range (unless otherwise noted)⁽¹⁾

			MIN	MAX	UNIT
V _S	Supply voltage, (V+) – (V–)	Single supply		36	V
	Input voltage ⁽²⁾		(V–) – 0.5	(V+) + 0.5	V
	Input current ⁽²⁾			±10	mA
I _{SC}	Output short-circuit ⁽³⁾		Continuous		
T _A	Operating temperature		–40	125	°C
T _J	Junction temperature			150	°C
T _{stg}	Storage temperature		–55	125	°C

- (1) Operation outside the *Absolute Maximum Ratings* may cause permanent device damage. *Absolute Maximum Ratings* do not imply functional operation of the device at these or any other conditions beyond those listed under *Recommended Operating Conditions*. If used outside the *Recommended Operating Conditions* but within the *Absolute Maximum Ratings*, the device may not be fully functional, and this may affect device reliability, functionality, performance, and shorten the device lifetime.
- (2) Input pins are diode-clamped to the power-supply rails. Input signals that can swing more than 0.5V beyond the supply rails must be current limited to 10mA or less.
- (3) Short-circuit to ground, one amplifier per package.

5.2 ESD Ratings

			VALUE	UNIT
OPA134 in SOIC and PDIP Packages, and OPA2134 in PDIP Package				
V _(ESD)	Electrostatic discharge	Human-body model (HBM), per ANSI/ESDA/JEDEC JS-001 ⁽¹⁾	±2000	V
OPA2134 in SOIC Package				
V _(ESD)	Electrostatic discharge	Human-body model (HBM), per ANSI/ESDA/JEDEC JS-001 ⁽¹⁾	±2000	V
		Charged-device model (CDM), per JEDEC specification JESD22-C101 ⁽²⁾	±500	
OPA4134 in SOIC Package				
V _(ESD)	Electrostatic discharge	Human-body model (HBM), per ANSI/ESDA/JEDEC JS-001 ⁽¹⁾	±2000	V
	Electrostatic discharge	Charged-device model (CDM), per JEDEC specification JESD22-C101 ⁽²⁾	±200	

- (1) JEDEC document JEP155 states that 500V HBM allows safe manufacturing with a standard ESD control process.
- (2) JEDEC document JEP157 states that 250V CDM allows safe manufacturing with a standard ESD control process.

5.3 Recommended Operating Conditions

over operating free-air temperature range (unless otherwise noted)

			MIN	NOM	MAX	UNIT
V _S	Supply voltage, (V+) – (V–)	Dual supply	±2.5	±15	±18	V
		Single supply	5	30	36	
T _A	Ambient temperature		–40		+85	°C

5.4 Thermal Information - OPA134

THERMAL METRIC ⁽¹⁾		OPA134		UNIT
		D (SOIC)	P (PDIP)	
		8 PINS	8 PINS	
R _{θJA}	Junction-to-ambient thermal resistance	160	73	°C/W
R _{θJC(top)}	Junction-to-case (top) thermal resistance	75	50	°C/W
R _{θJB}	Junction-to-board thermal resistance	60	36	°C/W
Ψ _{JT}	Junction-to-top characterization parameter	9	17	°C/W
Ψ _{JB}	Junction-to-board characterization parameter	50	35	°C/W
R _{θJC(bot)}	Junction-to-case (bottom) thermal resistance	N/A	N/A	°C/W

(1) For more information about traditional and new thermal metrics, see the [Semiconductor and IC Package Thermal Metrics](#) application report.

5.5 Thermal Information - OPA2134

THERMAL METRIC ⁽¹⁾		OPA2134		UNIT
		D (SOIC)	P (PDIP)	
		8 PINS	8 PINS	
R _{θJA}	Junction-to-ambient thermal resistance	160	71	°C/W
R _{θJC(top)}	Junction-to-case (top) thermal resistance	75	50	°C/W
R _{θJB}	Junction-to-board thermal resistance	60	36	°C/W
Ψ _{JT}	Junction-to-top characterization parameter	9	16	°C/W
Ψ _{JB}	Junction-to-board characterization parameter	50	35	°C/W
R _{θJC(bot)}	Junction-to-case (bottom) thermal resistance	N/A	N/A	°C/W

(1) For more information about traditional and new thermal metrics, see the [Semiconductor and IC Package Thermal Metrics](#) application report.

5.6 Thermal Information - OPA4134

THERMAL METRIC ⁽¹⁾		OPA4132	UNIT
		D (SOIC)	
		14 PINS	
R _{θJA}	Junction-to-ambient thermal resistance	97	°C/W
R _{θJC(top)}	Junction-to-case (top) thermal resistance	56	°C/W
R _{θJB}	Junction-to-board thermal resistance	53	°C/W
Ψ _{JT}	Junction-to-top characterization parameter	19	°C/W
Ψ _{JB}	Junction-to-board characterization parameter	46	°C/W
R _{θJC(bot)}	Junction-to-case (bottom) thermal resistance	N/A	°C/W

(1) For more information about traditional and new thermal metrics, see the [Semiconductor and IC Package Thermal Metrics](#) application report.

5.7 Electrical Characteristics

at $T_A = 25^\circ\text{C}$, $V_S = \pm 15\text{V}$, $R_L = 2\text{k}\Omega$ connected to midsupply, and $V_{CM} = V_{OUT} = \text{midsupply}$ (unless otherwise noted)

PARAMETER		TEST CONDITIONS		MIN	TYP	MAX	UNIT
AUDIO PERFORMANCE							
THD+N	Total harmonic distortion plus noise	$f = 1\text{kHz}$, $G = 1$, $V_O = 3V_{\text{rms}}$	$R_L = 2\text{k}\Omega$	0.00008			%
			$R_L = 600\Omega$	0.00015			
	Intermodulation distortion	$f = 1\text{kHz}$, $G = 1$, $V_O = 1V_{\text{PP}}$		-98			dB
	Headroom ⁽¹⁾	THD < 0.01%, $R_L = 2\text{k}\Omega$, $V_S = 18\text{V}$		21.3			dBu
FREQUENCY RESPONSE							
GBW	Gain bandwidth product			8			MHz
SR	Slew rate ⁽²⁾			± 20			V/ μs
	Settling time	10V step, $G = 1$, $C_L = 100\text{pF}$	0.1%	0.7			μs
			0.01%	1			
FPBW	Full power bandwidth			1.3			MHz
	Overload recovery time	$V_{\text{IN}} \times G = V_S$		0.6			μs
NOISE							
	Input voltage noise	$f = 20\text{Hz}$ to 20kHz		1.2			μV_{rms}
e_n	Input voltage noise density	$f = 1\text{kHz}$		8			$\text{nV}/\sqrt{\text{Hz}}$
i_n	Input current noise density	$f = 1\text{kHz}$		3			$\text{fA}/\sqrt{\text{Hz}}$
OFFSET VOLTAGE							
V_{OS}	Input offset voltage			± 1	± 3.5		mV
		$T_A = -40^\circ\text{C}$ to $+85^\circ\text{C}$		± 1			
dV_{OS}/dT	Input offset voltage drift	$T_A = -40^\circ\text{C}$ to $+85^\circ\text{C}$		± 2			$\mu\text{V}/^\circ\text{C}$
PSRR	Power-supply rejection ratio	$5\text{V} \leq V_S \leq 36\text{V}$		90	106		dB
	Channel separation (dual, quad)	DC, $R_L = 2\text{k}\Omega$		128			dB
		$f = 20\text{kHz}$, $R_L = 2\text{k}\Omega$		126			
INPUT BIAS CURRENT							
I_B	Input bias current ⁽³⁾			± 5	± 100		pA
		$T_A = -40^\circ\text{C}$ to $+85^\circ\text{C}$		See Section 5.8			
I_{OS}	Input offset current ⁽³⁾			± 2	± 50		pA
INPUT VOLTAGE							
V_{CM}	Common-mode voltage			$(V-) + 2.5$	± 13	$(V+) - 3.5$	V
CMRR	Common-mode rejection ratio	$-12.5\text{V} \leq V_{\text{CM}} \leq 11.5\text{V}$			86	100	dB
			$T_A = -40^\circ\text{C}$ to $+85^\circ\text{C}$		90		
INPUT IMPEDANCE							
	Differential			$10^{13} \parallel 8$			$\Omega \parallel \text{pF}$
	Common-mode	$-12.5\text{V} \leq V_{\text{CM}} \leq 11.5\text{V}$		$10^{13} \parallel 6$			$\Omega \parallel \text{pF}$
OPEN-LOOP GAIN							
A_{OL}	Open-loop voltage gain	$R_L = 10\text{k}\Omega$, $-14.5\text{V} \leq V_O \leq 13.8\text{V}$		104	120		dB
		$R_L = 2\text{k}\Omega$, $-13.8\text{V} \leq V_O \leq 13.5\text{V}$		104	120		

5.7 Electrical Characteristics (continued)

 at $T_A = 25^\circ\text{C}$, $V_S = \pm 15\text{V}$, $R_L = 2\text{k}\Omega$ connected to midsupply, and $V_{CM} = V_{OUT} = \text{midsupply}$ (unless otherwise noted)

PARAMETER		TEST CONDITIONS		MIN	TYP	MAX	UNIT
OUTPUT							
V_O	Voltage output	$R_L = 10\text{k}\Omega$	Positive	$(V+) - 1.2$			V
			Negative	$(V-) + 0.5$			
		$R_L = 2\text{k}\Omega$	Positive	$(V+) - 1.5$			
			Negative	$(V-) + 1.2$			
I_{SC}	Short-circuit current	Sourcing		36		mA	
		Sinking		-30			
Z_O	Output impedance	$f = 10\text{kHz}$	Closed-loop ⁽⁴⁾	0.01			Ω
			Open-loop	10			
	Capacitive load drive	Stable operation		See <i>Typical Characteristics</i>			
POWER SUPPLY							
I_Q	Quiescent current (per amplifier)	$I_O = 0\text{mA}$		4	5		mA

- (1) $\text{dBu} = 20 \times \log(V_{\text{rms}} / 0.7746)$ where V_{rms} is the maximum output voltage for which THD+Noise is less than 0.01%. See *Total Harmonic Distortion*.
- (2) Proposed by design.
- (3) High-speed test at $T_J = 25^\circ\text{C}$.
- (4) See *Closed-Loop Output Impedance vs Frequency* in *Typical Characteristics*.

5.8 Typical Characteristics

at $T_A = 25^\circ\text{C}$, $V_S = \pm 15\text{V}$, $R_L = 2\text{k}\Omega$ connected to midsupply, and $V_{CM} = V_{OUT} = \text{midsupply}$ (unless otherwise noted)

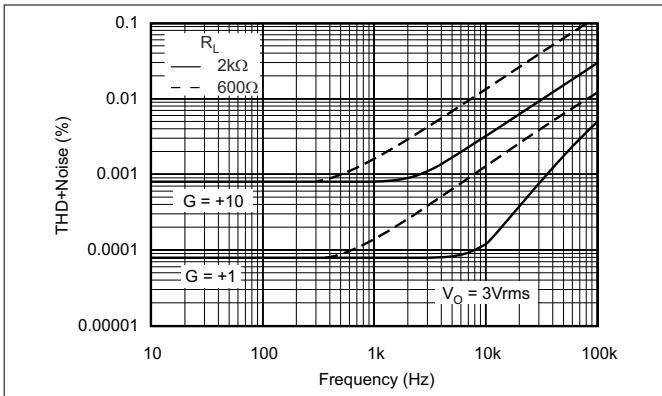


Figure 5-1. Total Harmonic Distortion + Noise vs Frequency

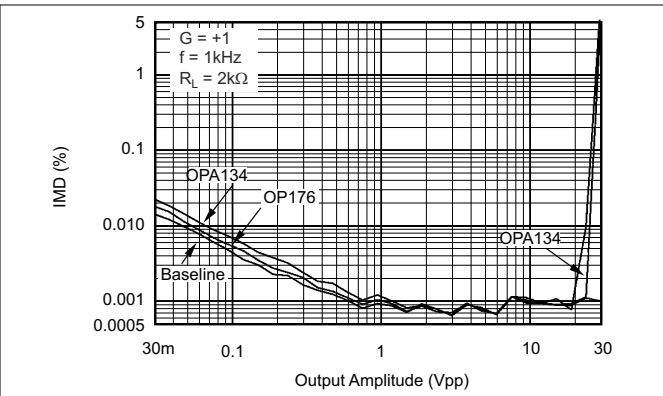


Figure 5-2. SMPTE Intermodulation Distortion vs Output Amplitude

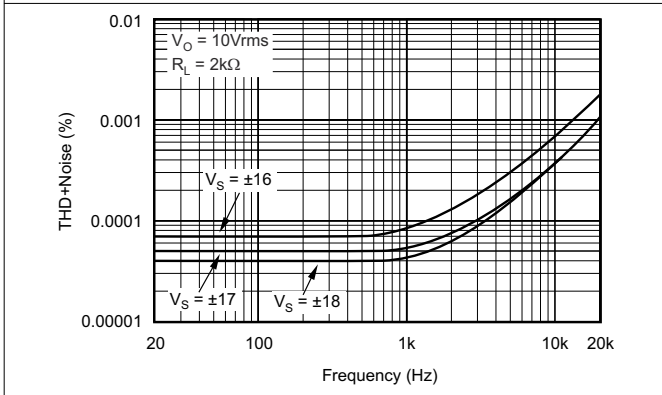


Figure 5-3. Total Harmonic Distortion + Noise vs Frequency

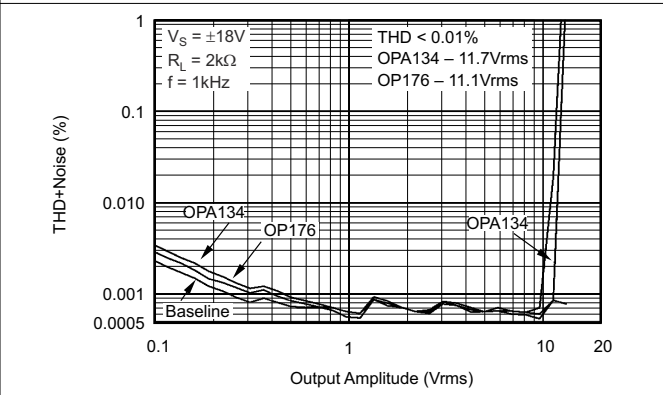


Figure 5-4. Headroom – Total Harmonic Distortion + Noise vs Output Amplitude

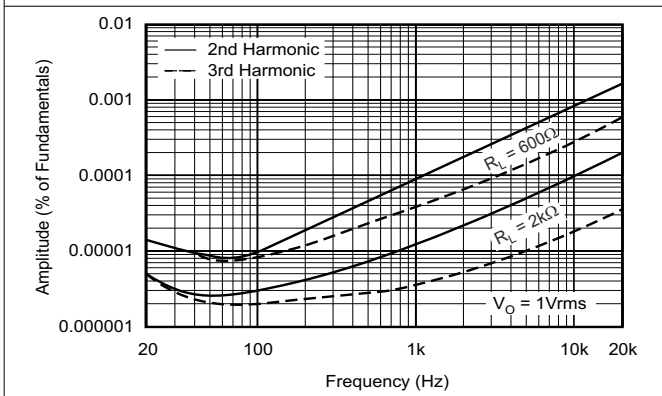


Figure 5-5. Harmonic Distortion + Noise vs Frequency

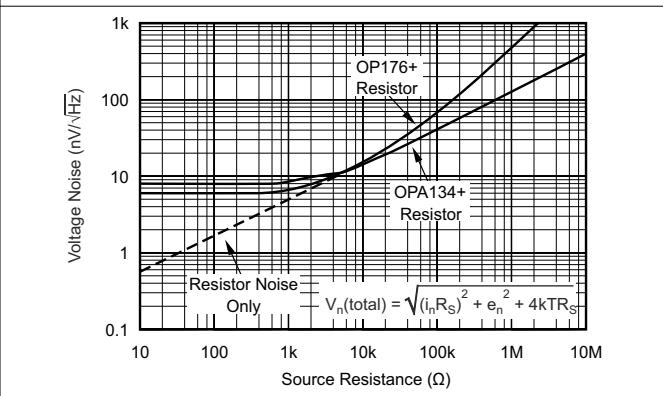


Figure 5-6. Voltage Noise vs Source Resistance

5.8 Typical Characteristics (continued)

at $T_A = 25^\circ\text{C}$, $V_S = \pm 15\text{V}$, $R_L = 2\text{k}\Omega$ connected to midsupply, and $V_{CM} = V_{OUT} = \text{midsupply}$ (unless otherwise noted)

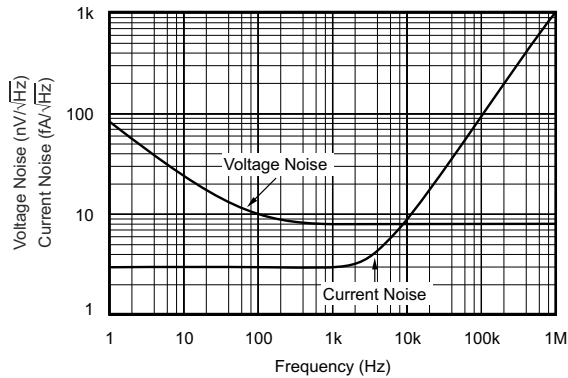


Figure 5-7. Input Voltage and Current Noise Spectral Density vs Frequency

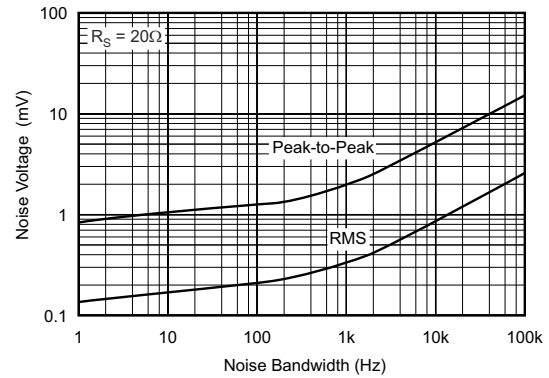


Figure 5-8. Input-Referred Noise Voltage vs Noise Bandwidth

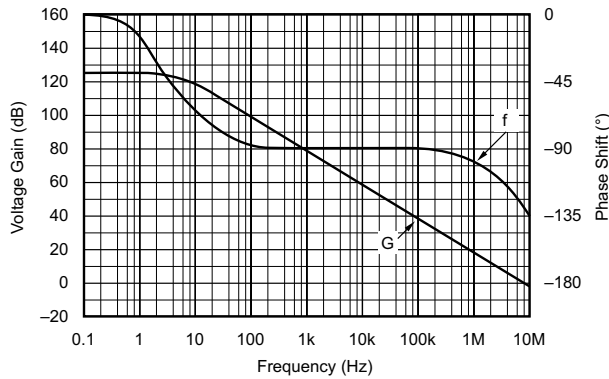


Figure 5-9. Open-Loop Gain and Phase vs Frequency

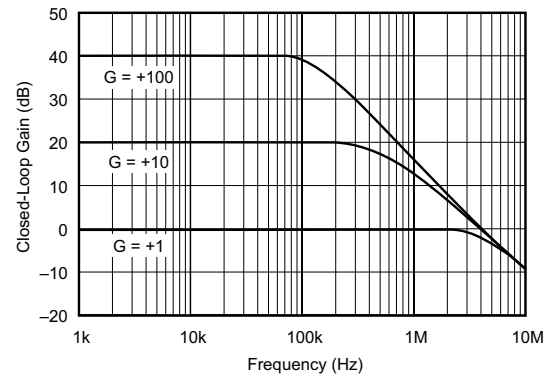


Figure 5-10. Closed-Loop Gain vs Frequency

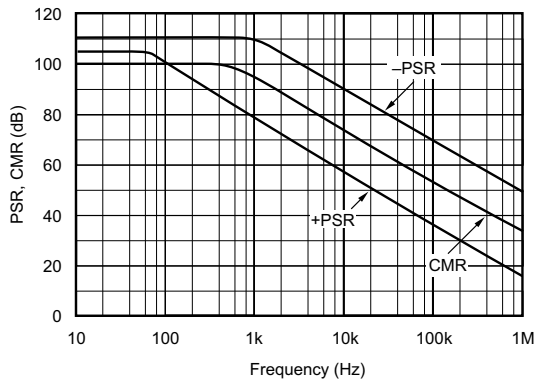


Figure 5-11. Power Supply and Common-Mode Rejection vs Frequency

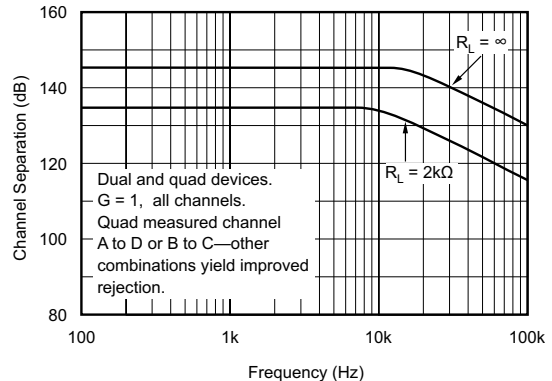


Figure 5-12. Channel Separation vs Frequency

5.8 Typical Characteristics (continued)

at $T_A = 25^\circ\text{C}$, $V_S = \pm 15\text{V}$, $R_L = 2\text{k}\Omega$ connected to midsupply, and $V_{CM} = V_{OUT} = \text{midsupply}$ (unless otherwise noted)

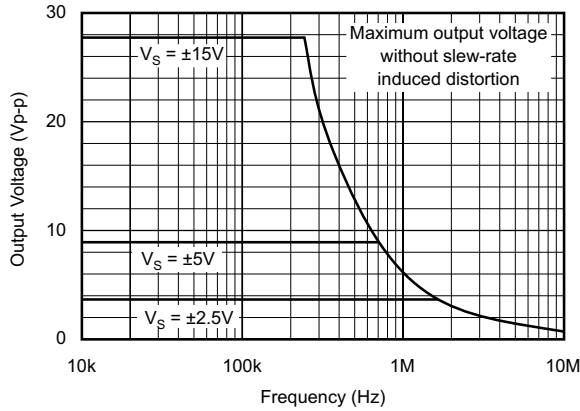


Figure 5-13. Maximum Output Voltage vs Frequency

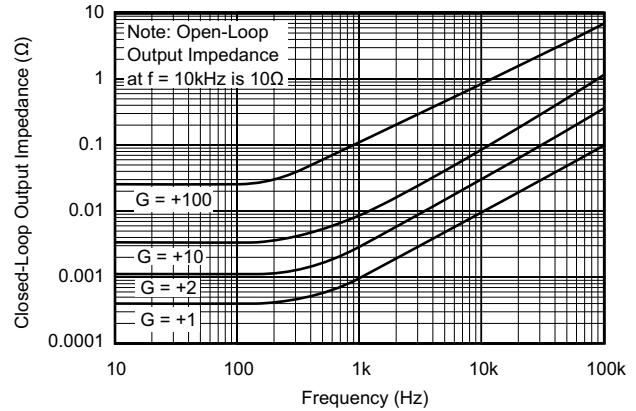


Figure 5-14. Closed-Loop Output Impedance vs Frequency

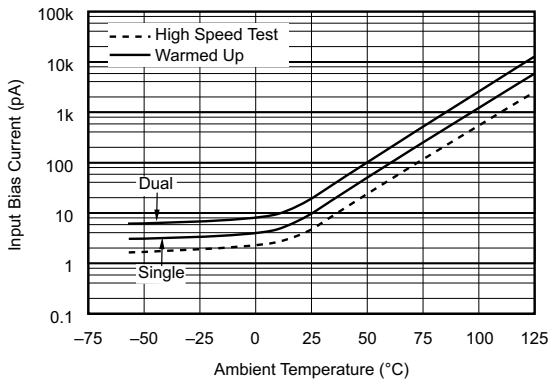


Figure 5-15. Input Bias Current vs Temperature

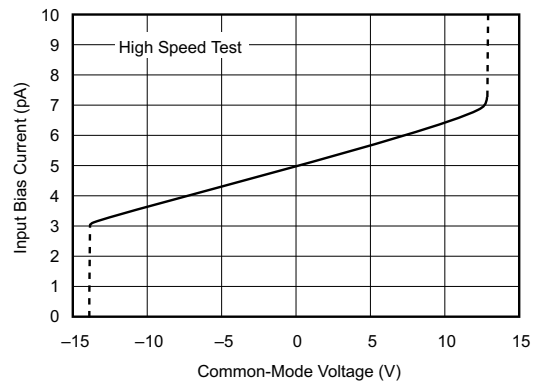


Figure 5-16. Input Bias Current vs Input Common-Mode Voltage

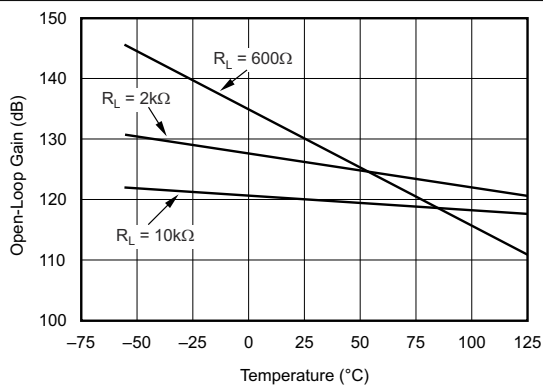


Figure 5-17. Open-Loop Gain vs Temperature

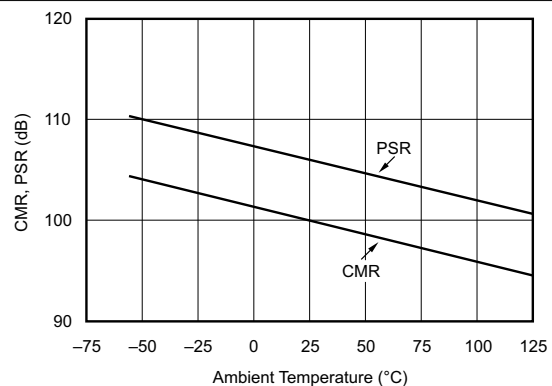


Figure 5-18. CMR, PSR vs Temperature

5.8 Typical Characteristics (continued)

at $T_A = 25^\circ\text{C}$, $V_S = \pm 15\text{V}$, $R_L = 2\text{k}\Omega$ connected to midsupply, and $V_{CM} = V_{OUT} = \text{midsupply}$ (unless otherwise noted)

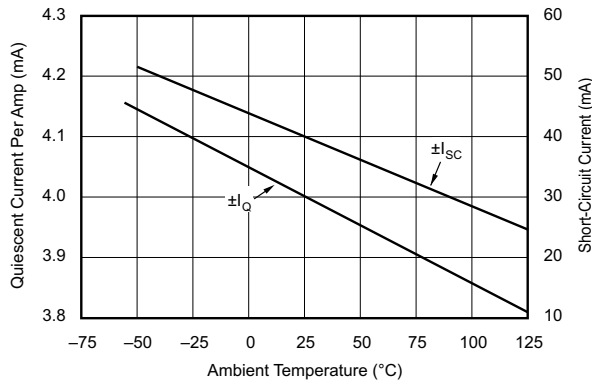


Figure 5-19. Quiescent Current and Short-Circuit Current vs Temperature

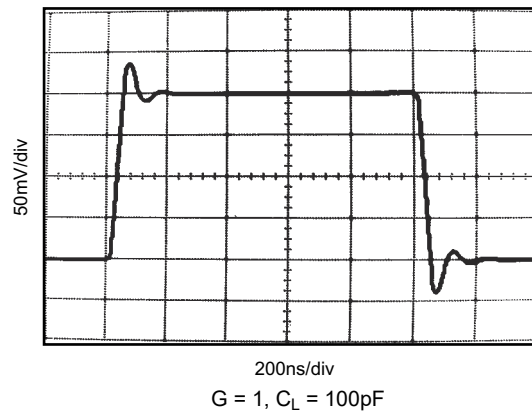


Figure 5-20. Small-Signal Step Response

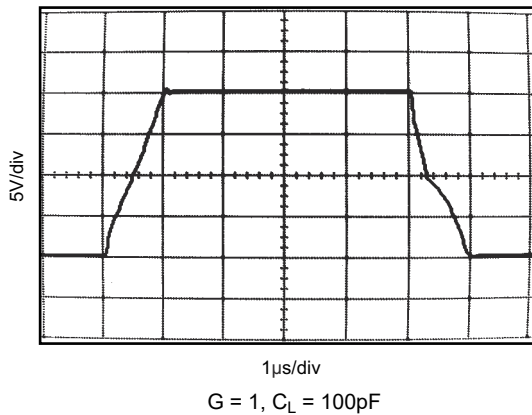


Figure 5-21. Large-Signal Step Response

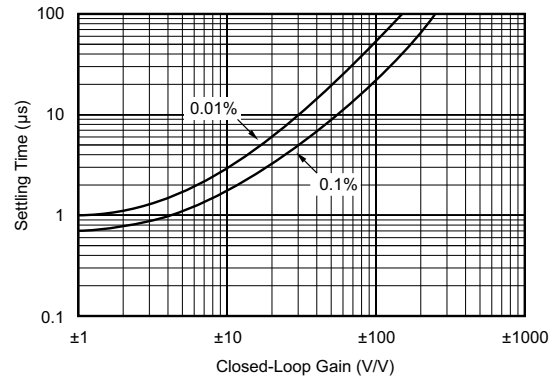


Figure 5-22. Settling Time vs Closed-Loop Gain

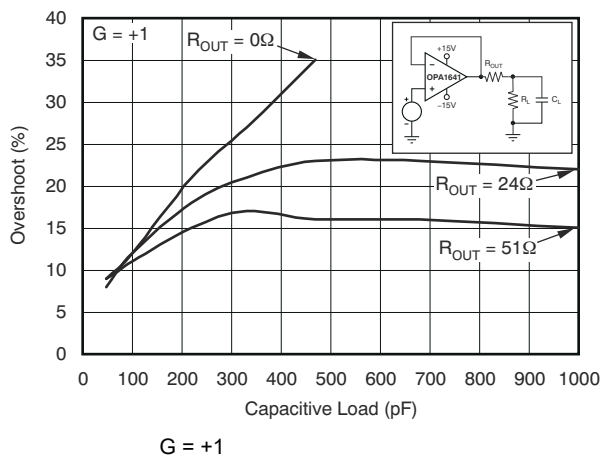


Figure 5-23. Small-Signal Overshoot vs Load Capacitance

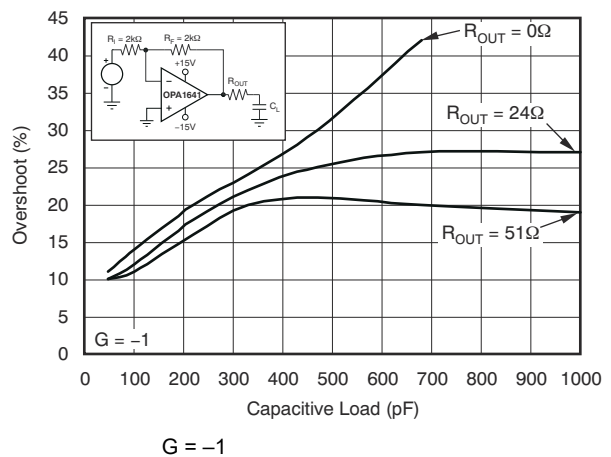


Figure 5-24. Small-Signal Overshoot vs Load Capacitance

6 Detailed Description

6.1 Overview

The OPA134 series are ultra-low distortion, low-noise operational amplifiers fully specified for audio applications. A true FET input stage is incorporated to provide unmatched sound quality and speed for exceptional audio performance. This, in combination with high output drive capability and excellent DC performance, allows for use in a wide variety of demanding applications. In addition, the OPA134 has a wide output swing, to within 1V of the rails, allowing increased headroom and making this op amp an excellent choice for any audio circuit.

6.2 Feature Description

6.2.1 Total Harmonic Distortion

The OPAx134 series of operational amplifiers have excellent distortion characteristics. THD+Noise is below 0.0004% throughout the audio frequency range, 20Hz to 20kHz, with a 2k Ω load. In addition, distortion remains relatively flat through the wide output voltage swing range, providing increased headroom compared to other audio amplifiers, including the OP176/275.

Headroom is a subjective measurement, and can be thought of as the maximum output amplitude allowed while still maintaining a low level of distortion. In an attempt to quantify headroom, TI defines very low distortion as 0.01%. Headroom is expressed as a ratio which compares the maximum allowable output voltage level to a standard output level (1mW into 600 Ω , or 0.7746Vrms). Therefore, OPA134 series of operational amplifiers, which have a maximum allowable output voltage level of 11.7Vrms (THD+Noise < 0.01%), have a headroom specification of 23.6dBu. See [Figure 5-4](#).

6.2.2 Distortion Measurements

The distortion produced by OPAx134 series of operational amplifiers is below the measurement limit of all known commercially-available equipment. However, a special test circuit can extend the measurement capabilities.

Operational amplifier distortion can be considered an internal error source which can be referred to the input. Figure 6-1 shows a circuit which causes the operational amplifier distortion to be 101 times greater than that which the operational amplifier normally produces. The addition of R_3 to the otherwise standard non-inverting amplifier configuration alters the feedback factor or noise gain of the circuit. The closed-loop gain is unchanged, but the feedback available for error correction is reduced by a factor of 101, thus extending the resolution by 101. The input signal and load applied to the operational amplifier are the same as with conventional feedback without R_3 . Keep the value of R_3 small to minimize effect on the distortion measurements.

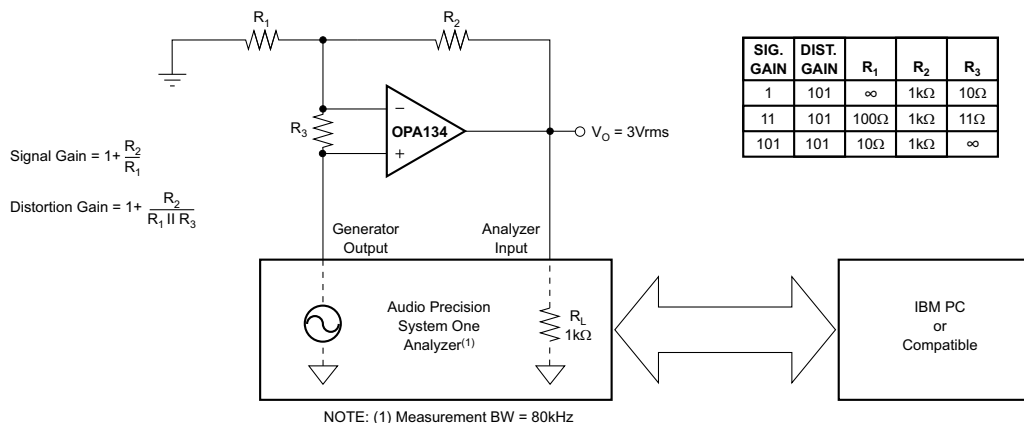


Figure 6-1. Distortion Test Circuit

This technique can be verified by duplicating measurements at high gain or high frequency, where the distortion is within the measurement capability of the test equipment. Measurements for this data sheet were made with an Audio Precision distortion and noise analyzer, which greatly simplifies repetitive measurements. The measurement technique can, however, be performed with manual distortion measurement instruments.

6.2.3 Source Impedance and Distortion

For lowest distortion with a source or feedback network with an impedance greater than $2k\Omega$, match the impedance seen by the positive and negative inputs in noninverting applications. The p-channel JFETs in the FET input stage exhibit a varying input capacitance with applied common-mode input voltage. In inverting configurations, the input does not vary with input voltage, because the inverting input is held at virtual ground. However, in noninverting applications the inputs do vary, and the gate-to-source voltage is not constant. The effect is increased distortion due to the varying capacitance for unmatched source impedances greater than $2k\Omega$.

To maintain low distortion, match unbalanced source impedance with the appropriate values in the feedback network as shown in Figure 6-2. Of course, the unbalanced impedance can be from gain-setting resistors in the feedback path. If the parallel combination of R_1 and R_2 is greater than $2k\Omega$, use a matching impedance on the noninverting input. As always, minimize resistor values to reduce the effects of thermal noise.

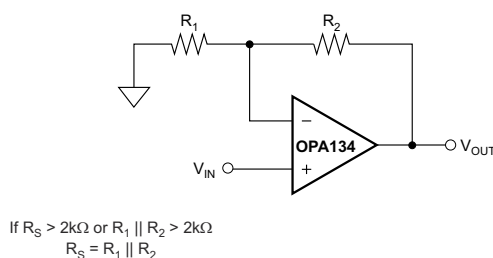


Figure 6-2. Impedance Matching for Maintaining Low Distortion in Noninverting Circuits

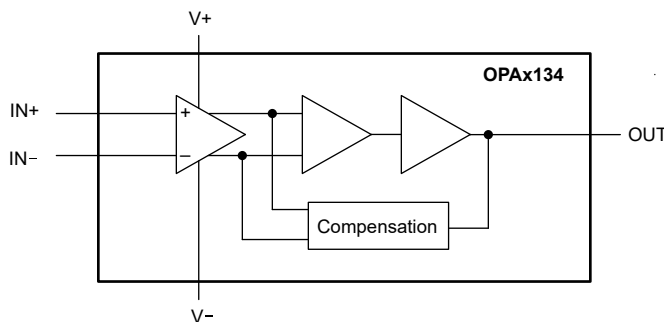
6.2.4 Phase Reversal Protection

The OPAx134 series of operational amplifiers are free from output phase-reversal problems. Many audio operational amplifiers, such as the OP176, exhibit phase-reversal of the output when the input common-mode voltage range is exceeded. This can occur in voltage-follower circuits, causing serious problems in control loop applications. The OPA134 series operational amplifiers are free from this undesirable behavior even with inputs of 10V beyond the input common-mode range.

6.2.5 Output Current Limit

Output current is limited by internal circuitry to approximately sourcing 36mA and sinking –30mA at 25°C. The limit current decreases with increasing temperature, as shown in [Figure 5-19](#).

6.3 Functional Block Diagram



6.4 Device Functional Modes

6.4.1 Noise Performance

Circuit noise is determined by the thermal noise of external resistors and operational amplifier noise. Operational amplifier noise is described by two parameters: noise voltage and noise current. The total noise is quantified by the equation:

$$V_n(\text{total}) = \sqrt{e_n^2 + (i_n R_S)^2 + 4kTR_S} \quad (1)$$

With low source impedance, the current noise term is insignificant and voltage noise dominates the noise performance. At high source impedance, the current noise term becomes the dominant contributor.

Low-noise bipolar operational amplifiers such as the OPA27 and OPA37 provide low voltage noise at the expense of a higher current noise. However, OPAx134 series operational amplifiers provide both low voltage noise and low current noise. This provides optimum noise performance over a wide range of sources, including reactive source impedances; refer to [Figure 5-6](#). Above 2kΩ source resistance, the operational amplifier contributes little additional noise; the voltage and current terms in the total noise equation become insignificant and the source resistance term dominates. Below 2kΩ, operational amplifier voltage noise dominates over the resistor noise, but compares favorably with other audio operational amplifiers such as the OP176.

7 Application and Implementation

Note

Information in the following applications sections is not part of the TI component specification, and TI does not warrant its accuracy or completeness. TI's customers are responsible for determining suitability of components for their purposes, as well as validating and testing their design implementation to confirm system functionality.

7.1 Application Information

The OPAx134 series operational amplifiers are unity-gain stable, and an excellent choice for a wide range of audio and general-purpose applications. All circuitry is independent in the dual version, maintaining normal behavior when one amplifier in a package is overdriven or short-circuited. Bypass the power supply pins with 10nF ceramic capacitors or larger to minimize power supply noise.

7.1.1 Operating Voltage

The OPAx134 series of operational amplifiers operate with power supplies from $\pm 2.5\text{V}$ to $\pm 18\text{V}$ with excellent performance. Although specifications are production tested with $\pm 15\text{V}$ supplies, most behavior remains unchanged throughout the full operating voltage range. Parameters which vary significantly with operating voltage are shown in [Section 5.8](#).

7.1.2 Offset Voltage Trim

Offset voltage of OPAx134 series amplifiers are laser-trimmed, and usually require no user adjustment. The OPAx134 provide less than $\pm 2\text{mV}$ of input offset voltage and a typical input offset voltage drift of $10\mu\text{V}/^\circ\text{C}$ over the operating temperature range.

7.2 Typical Application

The OPAx134 family offers outstanding dc precision and AC performance. These devices operate up to 36V supply rails and offer ultra-low distortion and noise, as well as 8MHz bandwidth and high capacitive load drive. These features make the OPAx134 a robust, high-performance operational amplifier for high-voltage professional audio applications.

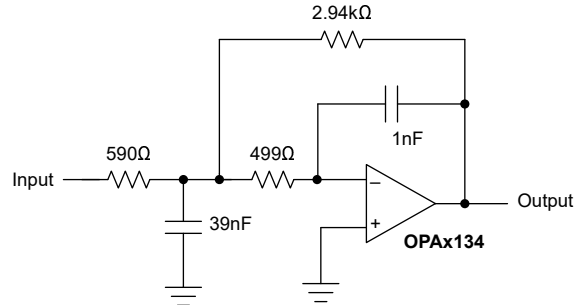


Figure 7-1. OPA134 2nd-Order, 30kHz, Low-Pass Filter Schematic

7.2.1 Design Requirements

- Gain = 5V/V (inverting)
- Low-pass cutoff frequency = 30kHz
- -40db/dec filter response
- Maintain less than 3dB gain peaking in the gain versus frequency response

7.2.2 Detailed Design Procedure

The infinite-gain multiple-feedback circuit for a low-pass network function is shown in [Figure 7-1](#). The voltage transfer function is:

$$\frac{Output}{Input}(s) = \frac{-1}{s^2 + s\left(\frac{1}{C_2}\right)\left(\frac{1}{R_1} + \frac{1}{R_3} + \frac{1}{R_4}\right) + \left(\frac{1}{R_3R_4C_2C_5}\right)} \quad (2)$$

This circuit produces a signal inversion. For this circuit, the gain at DC and the low-pass cutoff frequency are calculated using [Equation 3](#) and [Equation 4](#).

$$Gain = \frac{R_4}{R_1} \quad (3)$$

$$f_c = \frac{1}{2\pi} \sqrt{\frac{1}{R_3R_4C_2C_5}} \quad (4)$$

[WEBENCH® Circuit Designer](#) creates customized power supply and active filter circuits based on your system requirements. The environment gives you end-to-end selection, design, and simulation capabilities that save you time during all phases of the analog design process.

Use our tools to help with your designs:

- [Filter design tool](#)
- [Powerstage designer](#)
- [WEBENCH® Power designer](#)
- [PCB thermal calculator](#)

7.2.3 Application Curve

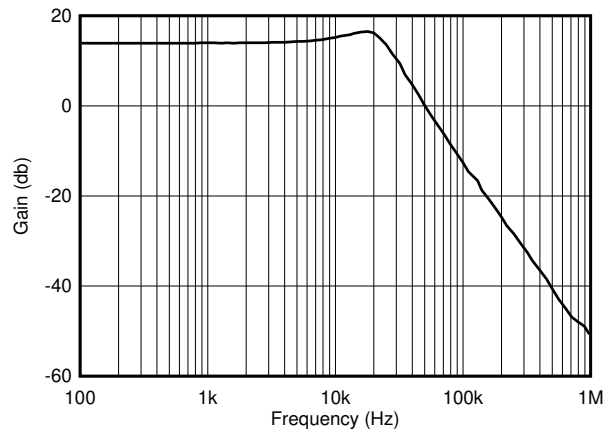


Figure 7-2. OPA134 2nd-Order, 30kHz, Low-Pass Filter Response

7.3 Power Supply Recommendations

The OPAx134 is specified for operation from 5V to 36V ($\pm 2.5V$ to $\pm 18V$); many specifications apply from -40°C to $+85^{\circ}\text{C}$. Parameters that can exhibit significant variance with regard to operating voltage or temperature are presented in [Section 5.8](#).

CAUTION

Supply voltages larger than 36V can permanently damage the device; see [Section 5.1](#).

Place 10nF bypass capacitors close to the power-supply pins to reduce errors coupling in from noisy or high-impedance power supplies. For more detailed information on bypass capacitor placement, see [Section 7.4.1](#).

7.4 Layout

7.4.1 Layout Guidelines

For best operational performance of the device, use good PCB layout practices, including:

- Noise can propagate into analog circuitry through the operational amplifier and the power pins of the circuit as a whole. Bypass capacitors are used to reduce the coupled noise by providing low-impedance power sources local to the analog circuitry.
 - Connect low-ESR, 10nF ceramic bypass capacitors between each supply pin and ground, placed as close as possible to the device. A single bypass capacitor from V+ to ground is applicable for single-supply applications.
- Separate grounding for analog and digital portions of circuitry is one of the simplest and most-effective methods of noise suppression. One or more layers on multilayer PCBs are usually devoted to ground planes. A ground plane helps distribute heat and reduces EMI noise pickup. Make sure to physically separate digital and analog grounds paying attention to the flow of the ground current.
- To reduce parasitic coupling, run the input traces as far away from the supply or output traces as possible. If these traces cannot be kept separate, crossing the sensitive trace perpendicular is much better as opposed to in parallel with the noisy trace.
- Place the external components as close to the device as possible. As shown in [Section 7.4.2](#), keeping RF and RG close to the inverting input minimizes parasitic capacitance.
- Keep the length of input traces as short as possible. Always remember that the input traces are the most sensitive part of the circuit.
- Consider a driven, low-impedance guard ring around the critical traces. A guard ring can significantly reduce leakage currents from nearby traces that are at different potentials.
- Cleaning the PCB following board assembly is recommended for best performance.

- Any precision integrated circuit can experience performance shifts due to moisture ingress into the plastic package. Following any aqueous PCB cleaning process, TI recommends baking the PCB assembly to remove moisture introduced into the device packaging during the cleaning process. A low temperature, post cleaning bake at 85°C for 30 minutes is sufficient for most circumstances.

7.4.2 Layout Example

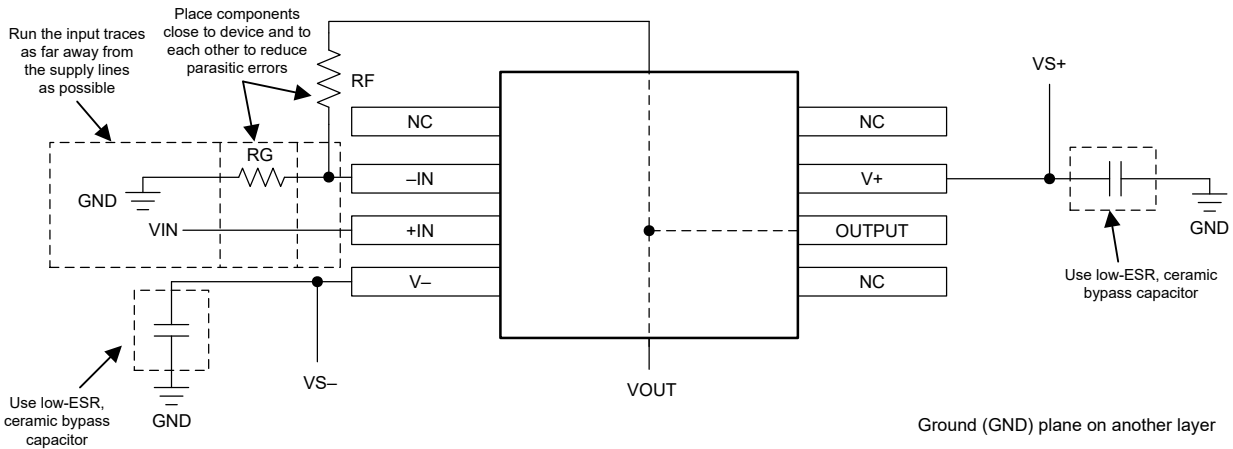
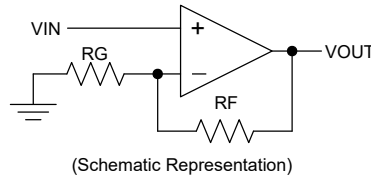


Figure 7-3. OPA134 Layout Example for the Noninverting Configuration

8 Device and Documentation Support

8.1 Device Support

8.1.1 Development Support

8.1.1.1 Analog Filter Designer

Available as a web-based tool from the [Design and simulation tool](#) web page, the [Analog Filter Designer](#) allows the user to design, optimize, and simulate complete multistage active filter solutions within minutes.

8.1.1.2 TINA-TI™ Simulation Software (Free Download)

TINA-TI™ simulation software is a simple, powerful, and easy-to-use circuit simulation program based on a SPICE engine. TINA-TI simulation software is a free, fully-functional version of the TINA™ software, preloaded with a library of macromodels, in addition to a range of both passive and active models. TINA-TI simulation software provides all the conventional dc, transient, and frequency domain analysis of SPICE, as well as additional design capabilities.

Available as a [free download](#) from the [Design tools and simulation](#) web page, TINA-TI simulation software offers extensive post-processing capability that allows users to format results in a variety of ways. Virtual instruments offer the ability to select input waveforms and probe circuit nodes, voltages, and waveforms, creating a dynamic quick-start tool.

Note

These files require that either the TINA software or TINA-TI software be installed. Download the free TINA-TI simulation software from the [TINA-TI™ software folder](#).

8.1.1.3 TI Reference Designs

TI reference designs are analog solutions created by TI's precision analog applications experts. TI reference designs offer the theory of operation, component selection, simulation, complete PCB schematic and layout, bill of materials, and measured performance of many useful circuits. TI reference designs are available online at <https://www.ti.com/reference-designs>.

8.2 Documentation Support

8.2.1 Related Documentation

For related documentation, see the following (available for download from www.ti.com):

- Texas Instruments, [EMI Rejection Ratio of Operational Amplifiers](#)
- Texas Instruments, [Circuit Board Layout Techniques](#)

8.3 Receiving Notification of Documentation Updates

To receive notification of documentation updates, navigate to the device product folder on ti.com. Click on *Notifications* to register and receive a weekly digest of any product information that has changed. For change details, review the revision history included in any revised document.

8.4 Support Resources

[TI E2E™ support forums](#) are an engineer's go-to source for fast, verified answers and design help — straight from the experts. Search existing answers or ask your own question to get the quick design help you need.

Linked content is provided "AS IS" by the respective contributors. They do not constitute TI specifications and do not necessarily reflect TI's views; see TI's [Terms of Use](#).

8.5 Trademarks

SoundPlus™, TINA-TI™, and TI E2E™ are trademarks of Texas Instruments.

TINA™ is a trademark of DesignSoft, Inc.

All trademarks are the property of their respective owners.

8.6 Electrostatic Discharge Caution



This integrated circuit can be damaged by ESD. Texas Instruments recommends that all integrated circuits be handled with appropriate precautions. Failure to observe proper handling and installation procedures can cause damage.

ESD damage can range from subtle performance degradation to complete device failure. Precision integrated circuits may be more susceptible to damage because very small parametric changes could cause the device not to meet its published specifications.

8.7 Glossary

[TI Glossary](#) This glossary lists and explains terms, acronyms, and definitions.

9 Revision History

NOTE: Page numbers for previous revisions may differ from page numbers in the current version.

Changes from Revision A (April 2015) to Revision B (August 2024)	Page
• Updated the numbering format for tables, figures, and cross-references throughout the document.....	1
• Updated open-loop gain load condition in <i>Features</i>	1
• Deleted PDIP package option for quad version device.....	1
• Updated <i>Device Information</i> table.....	1
• Changed W to Ω symbol in front-page figure (typo)	1
• Updated <i>Pin Configuration and Functions</i> format.....	3
• Changed OPA134 pin 1 and 8 from "Offset Trim" to "NC".....	3
• Changed input voltage from (V ⁻) – 0.5V to (V ⁺) + 0.5V to (V ⁻) – 0.7V to (V ⁺) + 0.7V in <i>Absolute Maximum Ratings</i>	5
• Added input current and related footnote to <i>Absolute Maximum Ratings</i>	5
• Added <i>Thermal Information</i>	6
• Updated format of <i>Electrical Characteristics</i>	7
• Updated nominal conditions in the header of <i>Electrical Characteristics</i>	7
• Changed headroom from 23.6dB to 21.3dB.....	7
• Deleted slew rate MIN.....	7
• Changed overload recovery time from 0.5 μ s to 0.6 μ s.....	7
• Changed input offset voltage MIN from ± 0.5 mV to ± 1 mV and MAX from ± 2 mV to ± 3.5 mV.....	7
• Deleted input offset voltage over temperature MAX.....	7
• Changed channel separation from 135dB to 128dB for dc, and from 130dB to 126dB for f = 20kHz	7
• Deleted note 3.....	7
• Added \pm to input bias current TYP.....	7
• Changed common-mode voltage MAX value from (V ⁺) – 2.5V to (V ⁺) – 3.5V.....	7
• Updated common-mode rejection ratio and common-mode input impedance test conditions.....	7
• Changed differential input impedance from $10^{10}\Omega \parallel 1$ pF to $10^{10}\Omega \parallel 5$ pF.....	7
• Changed common-mode input impedance from $10^{10}\Omega \parallel 3$ pF to $10^{10}\Omega \parallel 4.3$ pF.....	7
• Deleted open-loop voltage gain for $R_L = 600\Omega$	7
• Deleted voltage output for $R_L = 600\Omega$	7
• Moved voltage output negative MIN values to MAX values.....	7
• Deleted output current.....	7
• Deleted note 1 from <i>Electrical Characteristics</i>	7
• Changed typos in typical characteristic graphs; corrected ohms symbol (Ω) and radical symbol ($\sqrt{\quad}$).....	9
• Changed test condition for <i>Typical Characteristics</i> from $V_S = 15$ V to $V_S = \pm 15$ V (typo).....	9
• Changed Figure 26, <i>Small-Signal Overshoot vs Load Capacitance</i> into new Figures 5-23 and 5-24.....	9
• Deleted old Figure 20, <i>Output Voltage Swing vs Output Current</i> , Figure 21, <i>Offset Voltage Production Distribution</i> , Figure 22, <i>Offset Voltage Drift Production Distribution</i>	9
• Updated <i>Functional Block Diagram</i>	15
• Updated <i>Offset Voltage Trim</i>	16
• Updated <i>OPA134 Layout Example for the Noninverting Configuration</i>	19

Changes from Revision * (September 2000) to Revision A (April 2015)	Page
• Added <i>ESD Ratings</i> table, <i>Feature Description</i> section, <i>Device Functional Modes, Application and Implementation</i> section, <i>Power Supply Recommendations</i> section, <i>Layout</i> section, <i>Device and Documentation Support</i> section, and <i>Mechanical, Packaging, and Orderable Information</i> section.....	1

10 Mechanical, Packaging, and Orderable Information

The following pages include mechanical, packaging, and orderable information. This information is the most current data available for the designated devices. This data is subject to change without notice and revision of this document. For browser-based versions of this data sheet, refer to the left-hand navigation.

PACKAGING INFORMATION

Orderable Device	Status (1)	Package Type	Package Drawing	Pins	Package Qty	Eco Plan (2)	Lead finish/ Ball material (6)	MSL Peak Temp (3)	Op Temp (°C)	Device Marking (4/5)	Samples
OPA134PA	ACTIVE	PDIP	P	8	50	RoHS & Green	NIPDAU	N / A for Pkg Type		OPA134PA	Samples
OPA134UA	ACTIVE	SOIC	D	8	75	RoHS & Green	NIPDAU	Level-3-260C-168 HR	-40 to 85	OPA 134UA	Samples
OPA134UA/2K5	ACTIVE	SOIC	D	8	2500	RoHS & Green	NIPDAU	Level-3-260C-168 HR	-40 to 85	OPA 134UA	Samples
OPA2134PA	ACTIVE	PDIP	P	8	50	RoHS & Green	NIPDAU	N / A for Pkg Type	-40 to 85	OPA2134PA	Samples
OPA2134PAG4	ACTIVE	PDIP	P	8	50	RoHS & Green	NIPDAU	N / A for Pkg Type	-40 to 85	OPA2134PA	Samples
OPA2134UA	ACTIVE	SOIC	D	8	75	RoHS & Green	NIPDAU	Level-3-260C-168 HR	-40 to 85	OPA 2134UA	Samples
OPA2134UA/2K5	ACTIVE	SOIC	D	8	2500	RoHS & Green	NIPDAU	Level-3-260C-168 HR	-40 to 85	OPA 2134UA	Samples
OPA4134UA	ACTIVE	SOIC	D	14	50	RoHS & Green	NIPDAU	Level-3-260C-168 HR	-40 to 85	OPA4134UA	Samples
OPA4134UA/2K5	ACTIVE	SOIC	D	14	2500	RoHS & Green	NIPDAU	Level-3-260C-168 HR	-40 to 85	OPA4134UA	Samples
SN412008DRE4	ACTIVE	SOIC	D	8	2500	RoHS & Green	NIPDAU	Level-3-260C-168 HR	-40 to 85	OPA 2134UA	Samples

(1) The marketing status values are defined as follows:

ACTIVE: Product device recommended for new designs.

LIFEBUY: TI has announced that the device will be discontinued, and a lifetime-buy period is in effect.

NRND: Not recommended for new designs. Device is in production to support existing customers, but TI does not recommend using this part in a new design.

PREVIEW: Device has been announced but is not in production. Samples may or may not be available.

OBSELETE: TI has discontinued the production of the device.

(2) **RoHS:** TI defines "RoHS" to mean semiconductor products that are compliant with the current EU RoHS requirements for all 10 RoHS substances, including the requirement that RoHS substance do not exceed 0.1% by weight in homogeneous materials. Where designed to be soldered at high temperatures, "RoHS" products are suitable for use in specified lead-free processes. TI may reference these types of products as "Pb-Free".

RoHS Exempt: TI defines "RoHS Exempt" to mean products that contain lead but are compliant with EU RoHS pursuant to a specific EU RoHS exemption.

Green: TI defines "Green" to mean the content of Chlorine (Cl) and Bromine (Br) based flame retardants meet JS709B low halogen requirements of <=1000ppm threshold. Antimony trioxide based flame retardants must also meet the <=1000ppm threshold requirement.

(3) MSL, Peak Temp. - The Moisture Sensitivity Level rating according to the JEDEC industry standard classifications, and peak solder temperature.

(4) There may be additional marking, which relates to the logo, the lot trace code information, or the environmental category on the device.

(5) Multiple Device Markings will be inside parentheses. Only one Device Marking contained in parentheses and separated by a "~" will appear on a device. If a line is indented then it is a continuation of the previous line and the two combined represent the entire Device Marking for that device.

(6) Lead finish/Ball material - Orderable Devices may have multiple material finish options. Finish options are separated by a vertical ruled line. Lead finish/Ball material values may wrap to two lines if the finish value exceeds the maximum column width.

Important Information and Disclaimer:The information provided on this page represents TI's knowledge and belief as of the date that it is provided. TI bases its knowledge and belief on information provided by third parties, and makes no representation or warranty as to the accuracy of such information. Efforts are underway to better integrate information from third parties. TI has taken and continues to take reasonable steps to provide representative and accurate information but may not have conducted destructive testing or chemical analysis on incoming materials and chemicals. TI and TI suppliers consider certain information to be proprietary, and thus CAS numbers and other limited information may not be available for release.

In no event shall TI's liability arising out of such information exceed the total purchase price of the TI part(s) at issue in this document sold by TI to Customer on an annual basis.

TAPE AND REEL INFORMATION



QUADRANT ASSIGNMENTS FOR PIN 1 ORIENTATION IN TAPE



*All dimensions are nominal

Device	Package Type	Package Drawing	Pins	SPQ	Reel Diameter (mm)	Reel Width W1 (mm)	A0 (mm)	B0 (mm)	K0 (mm)	P1 (mm)	W (mm)	Pin1 Quadrant
OPA134UA/2K5	SOIC	D	8	2500	330.0	12.4	6.4	5.2	2.1	8.0	12.0	Q1
OPA134UA/2K5	SOIC	D	8	2500	330.0	12.4	6.4	5.2	2.1	8.0	12.0	Q1
OPA2134UA/2K5	SOIC	D	8	2500	330.0	12.4	6.4	5.2	2.1	8.0	12.0	Q1
OPA2134UA/2K5	SOIC	D	8	2500	330.0	12.4	6.4	5.2	2.1	8.0	12.0	Q1
OPA4134UA/2K5	SOIC	D	14	2500	330.0	16.4	6.5	9.0	2.1	8.0	16.0	Q1

TAPE AND REEL BOX DIMENSIONS



*All dimensions are nominal

Device	Package Type	Package Drawing	Pins	SPQ	Length (mm)	Width (mm)	Height (mm)
OPA134UA/2K5	SOIC	D	8	2500	356.0	356.0	35.0
OPA134UA/2K5	SOIC	D	8	2500	356.0	356.0	35.0
OPA2134UA/2K5	SOIC	D	8	2500	356.0	356.0	35.0
OPA2134UA/2K5	SOIC	D	8	2500	353.0	353.0	32.0
OPA4134UA/2K5	SOIC	D	14	2500	356.0	356.0	35.0

TUBE


*All dimensions are nominal

Device	Package Name	Package Type	Pins	SPQ	L (mm)	W (mm)	T (μm)	B (mm)
OPA134PA	P	PDIP	8	50	506	13.97	11230	4.32
OPA134UA	D	SOIC	8	75	506.6	8	3940	4.32
OPA2134PA	P	PDIP	8	50	506	13.97	11230	4.32
OPA2134PAG4	P	PDIP	8	50	506	13.97	11230	4.32
OPA2134UA	D	SOIC	8	75	506.6	8	3940	4.32
OPA4134UA	D	SOIC	14	50	506.6	8	3940	4.32

D (R-PDSO-G14)

PLASTIC SMALL OUTLINE



- NOTES:
- A. All linear dimensions are in inches (millimeters).
 - B. This drawing is subject to change without notice.
 - Body length does not include mold flash, protrusions, or gate burrs. Mold flash, protrusions, or gate burrs shall not exceed 0.006 (0,15) each side.
 - Body width does not include interlead flash. Interlead flash shall not exceed 0.017 (0,43) each side.
 - E. Reference JEDEC MS-012 variation AB.

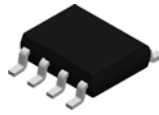
D (R-PDSO-G14)

PLASTIC SMALL OUTLINE



- NOTES:
- All linear dimensions are in millimeters.
 - This drawing is subject to change without notice.
 - Publication IPC-7351 is recommended for alternate designs.
 - Laser cutting apertures with trapezoidal walls and also rounding corners will offer better paste release. Customers should contact their board assembly site for stencil design recommendations. Refer to IPC-7525 for other stencil recommendations.
 - Customers should contact their board fabrication site for solder mask tolerances between and around signal pads.

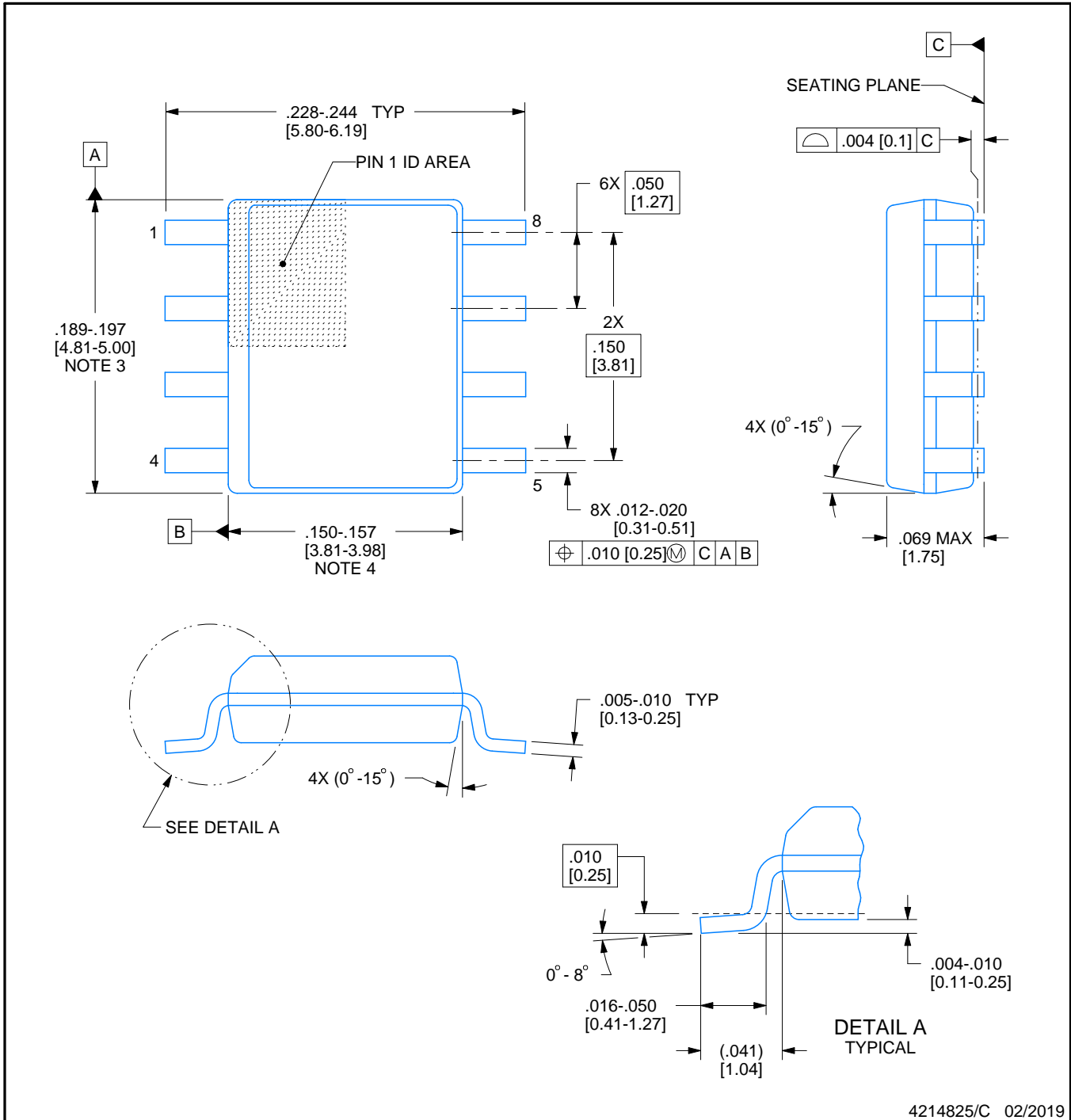
D0008A



PACKAGE OUTLINE

SOIC - 1.75 mm max height

SMALL OUTLINE INTEGRATED CIRCUIT



NOTES:

1. Linear dimensions are in inches [millimeters]. Dimensions in parenthesis are for reference only. Controlling dimensions are in inches. Dimensioning and tolerancing per ASME Y14.5M.
2. This drawing is subject to change without notice.
3. This dimension does not include mold flash, protrusions, or gate burrs. Mold flash, protrusions, or gate burrs shall not exceed .006 [0.15] per side.
4. This dimension does not include interlead flash.
5. Reference JEDEC registration MS-012, variation AA.

EXAMPLE BOARD LAYOUT

D0008A

SOIC - 1.75 mm max height

SMALL OUTLINE INTEGRATED CIRCUIT



LAND PATTERN EXAMPLE
 EXPOSED METAL SHOWN
 SCALE:8X



SOLDER MASK DETAILS

4214825/C 02/2019

NOTES: (continued)

- 6. Publication IPC-7351 may have alternate designs.
- 7. Solder mask tolerances between and around signal pads can vary based on board fabrication site.

EXAMPLE STENCIL DESIGN

D0008A

SOIC - 1.75 mm max height

SMALL OUTLINE INTEGRATED CIRCUIT



SOLDER PASTE EXAMPLE
BASED ON .005 INCH [0.125 MM] THICK STENCIL
SCALE:8X

4214825/C 02/2019

NOTES: (continued)

8. Laser cutting apertures with trapezoidal walls and rounded corners may offer better paste release. IPC-7525 may have alternate design recommendations.
9. Board assembly site may have different recommendations for stencil design.

P (R-PDIP-T8)

PLASTIC DUAL-IN-LINE PACKAGE



4040082/E 04/2010

- NOTES:
- A. All linear dimensions are in inches (millimeters).
 - B. This drawing is subject to change without notice.
 - C. Falls within JEDEC MS-001 variation BA.

IMPORTANT NOTICE AND DISCLAIMER

TI PROVIDES TECHNICAL AND RELIABILITY DATA (INCLUDING DATA SHEETS), DESIGN RESOURCES (INCLUDING REFERENCE DESIGNS), APPLICATION OR OTHER DESIGN ADVICE, WEB TOOLS, SAFETY INFORMATION, AND OTHER RESOURCES "AS IS" AND WITH ALL FAULTS, AND DISCLAIMS ALL WARRANTIES, EXPRESS AND IMPLIED, INCLUDING WITHOUT LIMITATION ANY IMPLIED WARRANTIES OF MERCHANTABILITY, FITNESS FOR A PARTICULAR PURPOSE OR NON-INFRINGEMENT OF THIRD PARTY INTELLECTUAL PROPERTY RIGHTS.

These resources are intended for skilled developers designing with TI products. You are solely responsible for (1) selecting the appropriate TI products for your application, (2) designing, validating and testing your application, and (3) ensuring your application meets applicable standards, and any other safety, security, regulatory or other requirements.

These resources are subject to change without notice. TI grants you permission to use these resources only for development of an application that uses the TI products described in the resource. Other reproduction and display of these resources is prohibited. No license is granted to any other TI intellectual property right or to any third party intellectual property right. TI disclaims responsibility for, and you will fully indemnify TI and its representatives against, any claims, damages, costs, losses, and liabilities arising out of your use of these resources.

TI's products are provided subject to [TI's Terms of Sale](#) or other applicable terms available either on [ti.com](https://www.ti.com) or provided in conjunction with such TI products. TI's provision of these resources does not expand or otherwise alter TI's applicable warranties or warranty disclaimers for TI products.

TI objects to and rejects any additional or different terms you may have proposed.

Mailing Address: Texas Instruments, Post Office Box 655303, Dallas, Texas 75265
Copyright © 2024, Texas Instruments Incorporated