

# TMP114 Ultra-Thin, 1.2-V to 1.8-V Supply, High Accuracy Digital Temperature Sensor with I<sup>2</sup>C Interface

## 1 Features

- High accuracy
  - TMP114:
    - ±0.2°C maximum from 20°C to 50°C
    - ±0.3°C maximum from –10°C to 80°C
    - ±0.5°C maximum from –40°C to 125°C
  - TMP114N:
    - ±1°C maximum from –40°C to 125°C
- Operating temperature range: –40°C to 125°C
- 16-bit resolution: 0.0078°C (LSB)
- Low power consumption:
  - Average supply current: 0.7 µA
  - Shutdown current: 0.16 µA
- Supply range: 1.08 V to 1.98 V
- Response time: 300 ms
- 1.2-V compatible logic inputs independent of supply voltage
- I<sup>2</sup>C and SMBus compatible interface
- 50-ns spike filter to coexist on I<sup>3</sup>C mixed bus
- Optional Cyclic Redundancy Check (CRC)
- Adjustable averaging
- Adjustable conversion time and period
- Continuous or one-shot conversion mode
- Temperature alert status with hysteresis
- NIST traceability
- Ultra-thin 4-ball PicoStar (DSBGA) package with 0.15-mm height

## 2 Applications

- Mobile phones
- Solid state drives (SSDs)
- Wearable fitness & activity monitors
- Portable electronics
- Set-top boxes (STBs)
- Notebooks
- IP Camera
- Digital Still Camera

## 3 Description

The TMP114 is a high accuracy, I<sup>2</sup>C-compatible digital temperature sensor in an ultra-thin (0.15 mm) 4-pin package. The small size and low height of the TMP114 package optimizes volume constrained systems and enables novel placement of the sensor under other surface mount components for the fastest and most accurate temperature measurement.

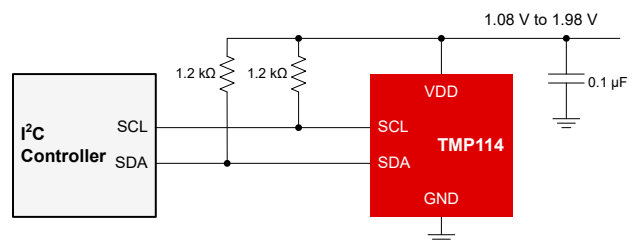
The TMP114 has an accuracy of ±0.2°C and offers an on-chip 16-bit analog-to-digital converter (ADC) that provides a temperature resolution of 0.0078°C. The TMP114 is 100% tested on a production setup that is NIST traceable.

To maximize battery life, the TMP114 is designed to operate from a supply voltage range of 1.08 V to 1.98 V, with a low average supply current of less than 0.7 µA.

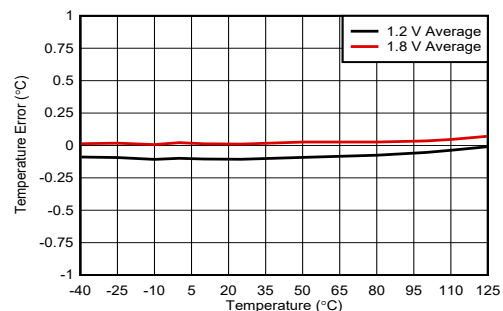
### Package Information

PART NUMBER	PACKAGE <sup>(1)</sup>	PACKAGE SIZE <sup>(2)</sup>
TMP114	PicoStar (4)	0.76 mm × 0.76 mm

- For all available packages, see the package option addendum at the end of the data sheet.
- The package size (length × width) is a nominal value and includes pins, where applicable.



Simplified Schematic



Temperature Accuracy



## Table of Contents

<b>1 Features</b> .....	1	8.4 Device Functional Modes.....	17
<b>2 Applications</b> .....	1	8.5 Programming.....	19
<b>3 Description</b> .....	1	8.6 Register Map.....	29
<b>4 Revision History</b> .....	2	<b>9 Application and Implementation</b> .....	39
<b>5 Device Comparison</b> .....	3	9.1 Application Information.....	39
<b>6 Pin Configuration and Functions</b> .....	3	9.2 Separate I <sup>2</sup> C Pullup and Supply Application.....	39
<b>7 Specifications</b> .....	4	9.3 Equal I <sup>2</sup> C Pullup and Supply Voltage Application.....	40
7.1 Absolute Maximum Ratings.....	4	9.4 Power Supply Recommendations.....	40
7.2 ESD Ratings.....	4	9.5 Layout.....	41
7.3 Recommended Operating Conditions.....	4	<b>10 Device and Documentation Support</b> .....	42
7.4 Thermal Information.....	4	10.1 Receiving Notification of Documentation Updates.....	42
7.5 Electrical Characteristics.....	5	10.2 Support Resources.....	42
7.6 I <sup>2</sup> C Interface Timing.....	7	10.3 Trademarks.....	42
7.7 Typical Characteristics.....	8	10.4 Electrostatic Discharge Caution.....	42
<b>8 Detailed Description</b> .....	12	10.5 Glossary.....	42
8.1 Overview.....	12	<b>11 Mechanical, Packaging, and Orderable Information</b> .....	42
8.2 Functional Block Diagram.....	12		
8.3 Feature Description.....	13		

## 4 Revision History

NOTE: Page numbers for previous revisions may differ from page numbers in the current version.

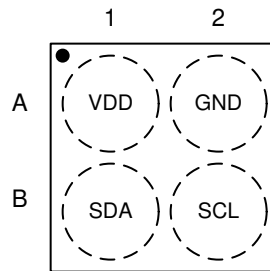
<b>Changes from Revision D (May 2023) to Revision E (July 2023)</b>	<b>Page</b>
• Deleted content from the <i>Temperature Data Format</i> section.....	19
<b>Changes from Revision C (May 2022) to Revision D (May 2023)</b>	<b>Page</b>
• Changed body size to package size in the <i>Package Information</i> table.....	1
• Changed device accuracy for TMP114x products from: 0.3°C to: 0.2°C.....	3
• Added additional temperature accuracy range for TMP114.....	5
• Changed temperature cycle hysteresis from 0.05°C to 0.1°C.....	5
• Changed supply current during active conversion from 110 µA to 120 µA.....	5
• Added Standard Mode timing to I <sup>2</sup> C Interface Timing table.....	7
• Changed <a href="#">Figure 7-1</a> .....	8
• Moved the <i>Power Supply Recommendations</i> and <i>Layout</i> sections to the <i>Application and Implementation</i> section.....	40
<b>Changes from Revision B (January 2022) to Revision C (May 2022)</b>	<b>Page</b>
• Added new orderables to the <i>Device Comparison</i> table.....	3
• Added new orderables to the <i>Device Target Address</i> table.....	21
<b>Changes from Revision A (September 2021) to Revision B (January 2022)</b>	<b>Page</b>
• Changed TMP114N orderable status from Preview to Production Data.....	1
• Added TMP114NA to <i>Device Options</i> table.....	3
• Removed preview note for TMP114NB and TMP114NC.....	3
• Added TMP114NA to the <i>Device Target Address</i> table.....	21
<b>Changes from Revision * (June 2021) to Revision A (September 2021)</b>	<b>Page</b>
• Added TMP114N orderable preview information.....	1
• Changed the data sheet status from Advanced Information to Production Mixed.....	1
• Added <i>Device Options</i> table.....	3

## 5 Device Comparison

**Table 5-1. Device Options**

PRODUCT	DEVICE ACCURACY	DEVICE TWO-WIRE ADDRESS
TMP114A	0.2°C	1001000
TMP114B	0.2°C	1001001
TMP114C	0.2°C	1001010
TMP114D	0.2°C	1001011
TMP114ND	1°C	1001100
TMP114NC	1°C	1001101
TMP114NB	1°C	1001110
TMP114NA	1°C	1001111

## 6 Pin Configuration and Functions



**Figure 6-1. YMT 4-Pin PicoStar™ Package (Top View)**

**Table 6-1. Pin Functions**

PIN		I/O	DESCRIPTION
NAME	NO.		
VDD	A1	I	Supply voltage
GND	A2	—	Ground
SDA	B1	IO	Serial data input and open-drain output. Requires a pullup resistor
SCL	B2	I	Serial clock

## 7 Specifications

### 7.1 Absolute Maximum Ratings

over operating free-air temperature range (unless otherwise noted)<sup>(1)</sup>

	MIN	MAX	UNIT
Power supply, $V_{DD}$	-0.3	2.1	V
Input voltage SCL, SDA	-0.3	2.1	V
Output sink current SDA		15	mA
Junction temperature, $T_J$	-55	150	°C
Storage temperature, $T_{stg}$	-65	150	°C

- (1) Stresses beyond those listed under *Absolute Maximum Ratings* may cause permanent damage to the device. These are stress ratings only, which do not imply functional operation of the device at these or any other conditions beyond those indicated under *Recommended Operating Conditions*. Exposure to absolute-maximum-rated conditions for extended periods may affect device reliability.

### 7.2 ESD Ratings

			VALUE	UNIT
$V_{ESD}$	Electrostatic discharge	Human body model (HBM), per ANSI/ESDA/JEDEC JS-001 <sup>(1)</sup>	±2000	V
		Charged device model (CDM), per JEDEC specification JESD22-C101 <sup>(2)</sup>	±1000	

- (1) JEDEC document JEP155 states that 500-V HBM allows safe manufacturing with a standard ESD control process.  
 (2) JEDEC document JEP157 states that 250-V CDM allows safe manufacturing with a standard ESD control process.

### 7.3 Recommended Operating Conditions

over operating free-air temperature range (unless otherwise noted)

		MIN	NOM	MAX	UNIT
Supply voltage	$V_{DD}$	1.08		1.98	V
I/O Voltage	SCL, SDA	0		1.98	V
$I_{OL}$	SDA	0		3	mA
Operating free-air temperature, $T_A$		-40		125	°C

### 7.4 Thermal Information

THERMAL METRIC <sup>(1)</sup>		TMP114	UNIT
		YMT	
		4 PINS	
$R_{\theta JA}$	Junction-to-ambient thermal resistance	168.7	°C/W
$R_{\theta JC(top)}$	Junction-to-case (top) thermal resistance	1.0	°C/W
$R_{\theta JB}$	Junction-to-board thermal resistance	47.3	°C/W
$\Psi_{JT}$	Junction-to-top characterization parameter	0.6	°C/W
$\Psi_{JB}$	Junction-to-board characterization parameter	47.3	°C/W
$R_{\theta JC(bot)}$	Junction-to-case (bot) thermal resistance	–	°C/W
$M_T$	Thermal mass	0.16	mJ/°C

- (1) For more information about traditional and new thermal metrics, see the [Semiconductor and IC Package Thermal Metrics](#) application report.

## 7.5 Electrical Characteristics

Over free-air temperature range and  $V_{DD} = 1.08\text{ V}$  to  $1.98\text{ V}$  (unless otherwise noted); Typical specifications are at  $T_A = 25^\circ\text{C}$  and  $V_{DD} = 1.2\text{ V}$  (unless otherwise noted)

PARAMETER		TEST CONDITIONS		MIN	TYP	MAX	UNIT
<b>TEMPERATURE SENSOR</b>							
$T_{ERR}$ (1)	Temperature Accuracy TMP114	Active Conversion time = 6.4 ms	$T_A = 20^\circ\text{C}$ to $50^\circ\text{C}$ $V_{DD} = 1.8\text{ V}$	-0.2		0.2	°C
			$T_A = -10^\circ\text{C}$ to $80^\circ\text{C}$ $V_{DD} = 1.8\text{ V}$	-0.3		0.3	
			$T_A = -40^\circ\text{C}$ to $125^\circ\text{C}$	-0.5		0.5	
	Temperature Accuracy TMP114N		$T_A = -40^\circ\text{C}$ to $125^\circ\text{C}$	-1		1	
$T_{RES}$	Temperature resolution	Including sign bit			16		Bits
		LSB			7.8125		m°C
PSR	DC power supply rejection	One-shot mode			0.17		°C/V
$T_{REPEAT}$	Repeatability(2)	$V_{DD} = 1.2\text{ V}$ (3) $T_A = 25^\circ\text{C}$	Averaging off 6.4 ms conversion time		0.06		°C
$T_{LTD}$	Long-term drift(4)	1000 hours at $125^\circ\text{C}$ , 1.98 V			0.03		
$t_{LIQUID}$	Response Time (Stirred Liquid)	Single layer Flex PCB 0.2032 mm thickness	$\tau = 63\%$ for step response from $25^\circ\text{C}$ to $75^\circ\text{C}$		300		ms
		2-layer FR4 PCB 1.5748 mm thickness			980		
	Temperature cycling and hysteresis	$T_{START} = -40^\circ\text{C}$ $T_{FINISH} = 125^\circ\text{C}$ $T_{TEST} = 25^\circ\text{C}$ 3 cycles			0.1		°C
$t_{CONV}$	Active conversion time	AVG = 0		5	6.4	7.5	ms
		AVG = 1		40	51.2	60	
$t_{VAR}$	Timing variation	Conversion Period Slew Rate Result Slew Rate Limit		-15		15	%
<b>DIGITAL INPUT/OUTPUT</b>							
$C_{IN}$	Input capacitance	$f = 100\text{ kHz}$			3	10	pF
$V_{IH}$	High-level input logic			0.84		1.98	V
$V_{IL}$	Low-level input logic			0		0.35	V
$I_{IN}$	Leakage input current			-0.2		0.2	µA
$V_{OL}$	Low-level output logic	SDA	$I_{OL} = -2\text{ mA}$	0	0.10	0.20	V

## 7.5 Electrical Characteristics (continued)

Over free-air temperature range and  $V_{DD} = 1.08\text{ V}$  to  $1.98\text{ V}$  (unless otherwise noted); Typical specifications are at  $T_A = 25^\circ\text{C}$  and  $V_{DD} = 1.2\text{ V}$  (unless otherwise noted)

PARAMETER		TEST CONDITIONS		MIN	TYP	MAX	UNIT
<b>POWER SUPPLY</b>							
$I_{DD\_ACTIV E}$	Supply current during active conversion	Serial bus inactive	$T_A = 25^\circ\text{C}$		68	120	$\mu\text{A}$
			$T_A = -40^\circ\text{C}$ to $125^\circ\text{C}$			150	
$I_{DD}$	Average current consumption	Continuous Conversion cycle = 1 Hz Serial bus inactive AVG = 0	$T_A = 25^\circ\text{C}$		0.63	1.5	$\mu\text{A}$
			$T_A = -40^\circ\text{C}$ to $125^\circ\text{C}$			3.5	
		Continuous Conversion cycle = 1 Hz Serial bus inactive AVG = 1	$T_A = 25^\circ\text{C}$		3.5	6	
			$T_A = -40^\circ\text{C}$ to $125^\circ\text{C}$			8.5	
$I_{SB}$	Standby current	Continuous mode Serial bus inactive Between active conversions	$T_A = 25^\circ\text{C}$		0.26	0.7	$\mu\text{A}$
			$T_A = -40^\circ\text{C}$ to $125^\circ\text{C}$			3	
$I_{SD}$	Shutdown current	Serial bus inactive	$T_A = 25^\circ\text{C}$		0.16	0.5	$\mu\text{A}$
			$T_A = -40^\circ\text{C}$ to $125^\circ\text{C}$			2.5	
$V_{POR}$	Power supply thresholds		Supply rising, Power-on Reset		0.97		V
$V_{BOR}$	Power supply thresholds		Supply failing, Brown-out Detect		0.92		
$t_{INIT}$	Initialization time after Power-on Reset					1	ms
$t_{RESET}$	Reset recovery time		Soft Reset or General Call Reset			1	ms

- (1) Temperature Accuracy is specified in both continuous conversion mode and one-shot mode with a conversion period greater than or equal to 31.25 ms. Averaging on or Averaging off.
- (2) Repeatability is the ability to reproduce a reading when the measured temperature is applied consecutively, under the same conditions.
- (3) One-shot mode setup, 1 sample per minute for 24 hours.
- (4) Long-term drift is determined using accelerated operational life testing at a junction temperature of  $150^\circ\text{C}$ . Temperature Cycling and Hysteresis effect is calculated out of final data sheet value.

## 7.6 I<sup>2</sup>C Interface Timing

minimum and maximum specifications are over  $-40^{\circ}\text{C}$  to  $125^{\circ}\text{C}$  and  $V_{\text{DD}} = 1.08\text{ V}$  to  $1.98\text{ V}$  (unless otherwise noted)<sup>(1)</sup>

		STANDARD MODE		FAST MODE		FAST MODE PLUS		UNIT
		Min	Max	Min	Max	Min	Max	
$f_{\text{(SCL)}}$	SCL operating frequency	1	100	1	400	1	1000	kHz
$t_{\text{(BUF)}}$	Bus-free time between STOP and START conditions	4.7		1.3		0.5		$\mu\text{s}$
$t_{\text{(SUSTA)}}$	Repeated START condition setup time	4.7		0.6		0.26		$\mu\text{s}$
$t_{\text{(HDSTA)}}$	Hold time after repeated START condition. After this period, the first clock is generated.	4.0		0.6		0.26		$\mu\text{s}$
$t_{\text{(SUSTO)}}$	STOP condition setup time	4.0		0.6		0.26		$\mu\text{s}$
$t_{\text{(HDDAT)}}$	Data hold time <sup>(2)</sup>	12	900	12	900	12	150	ns
$t_{\text{(SUDAT)}}$	Data setup time	250		100		50		ns
$t_{\text{(LOW)}}$	SCL clock low period	4.7		1.3		0.5		$\mu\text{s}$
$t_{\text{(HIGH)}}$	SCL clock high period	4.0		0.6		0.26		$\mu\text{s}$
$t_{\text{(VDAT)}}$	Data valid time (data response time) <sup>(3)</sup>		3.45		0.9		0.45	$\mu\text{s}$
$t_{\text{R}}$	SDA, SCL rise time		1000	20	300		120	ns
$t_{\text{F}}$	SDA, SCL fall time		300	$20 \times (V_{\text{DD}} / 5.5\text{ V})$	300	$20 \times (V_{\text{DD}} / 5.5\text{ V})$	120	ns
$t_{\text{timeout}}$	Timeout (SCL = GND or SDA = GND)	23	36	23	36	23	37	ms
$t_{\text{LPF}}$	Glitch suppression filter	50		50		50		ns

(1) The controller and device have the same  $V_{\text{DD}}$  value. Values are based on statistical analysis of samples tested during initial release.

(2) The maximum  $t_{\text{(HDDAT)}}$  can be  $0.9\ \mu\text{s}$  for fast mode, and is less than the maximum  $t_{\text{(VDAT)}}$  by a transition time.

(3)  $t_{\text{(VDAT)}}$  = time for data signal from SCL LOW to SDA output (HIGH to LOW, depending on which is worse).

## 7.7 Typical Characteristics

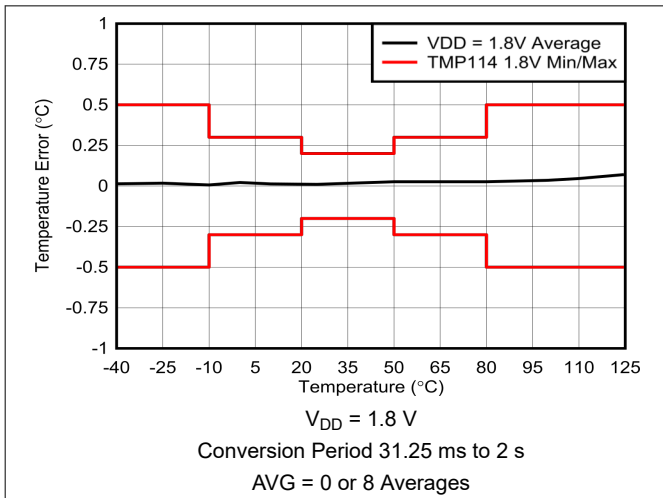


Figure 7-1. Temperature Error vs Temperature

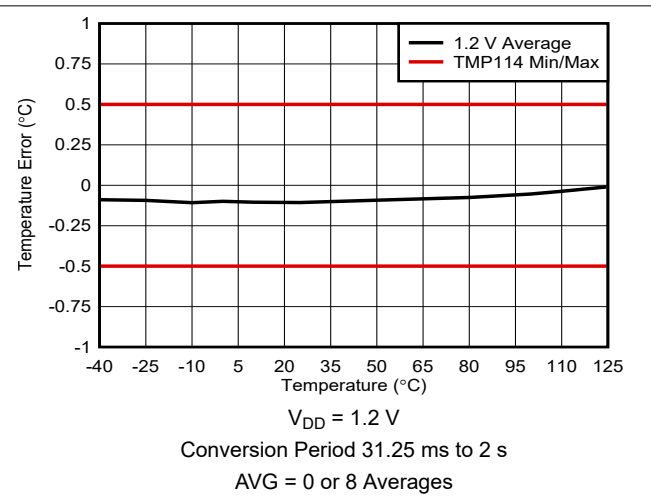


Figure 7-2. Temperature Error vs Temperature

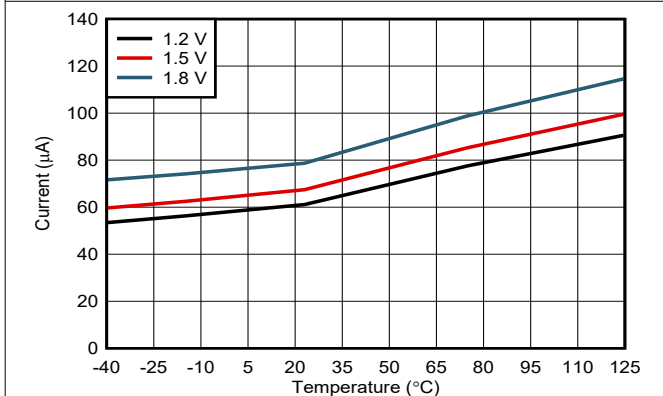


Figure 7-3. Active Current vs Temperature

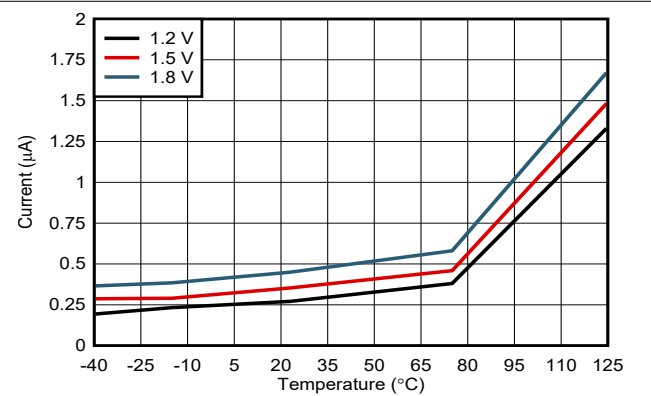


Figure 7-4. Standby Current vs Temperature

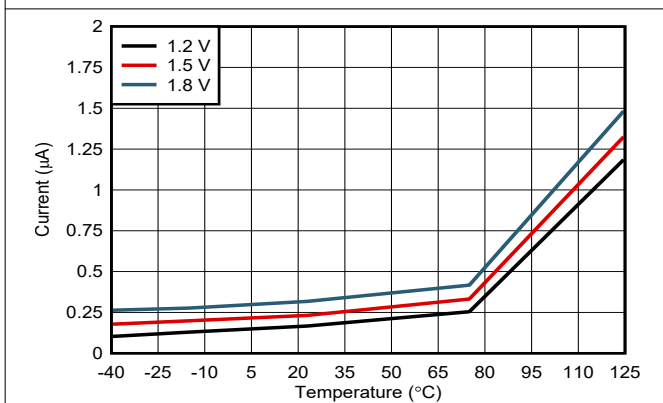


Figure 7-5. Shutdown Current vs Temperature

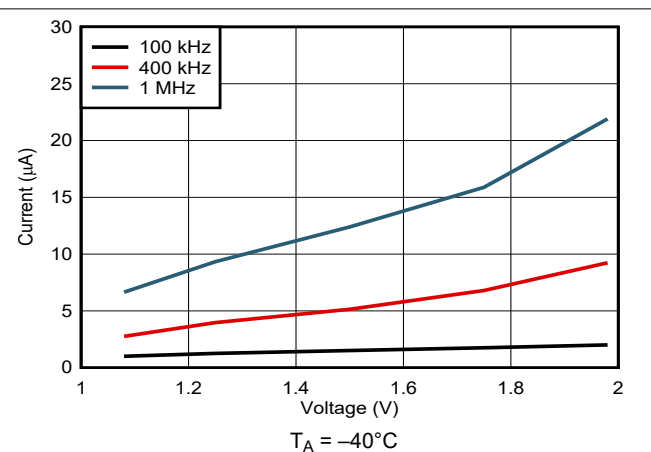


Figure 7-6. Supply Current vs V<sub>DD</sub> With Toggling SCL



### 7.7 Typical Characteristics (continued)

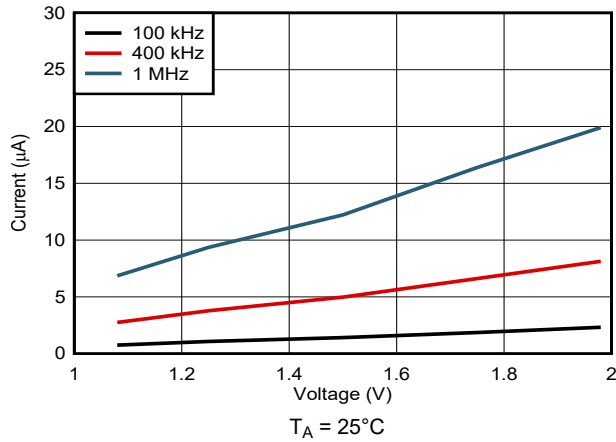


Figure 7-7. Supply Current vs  $V_{DD}$  With Toggling SCL

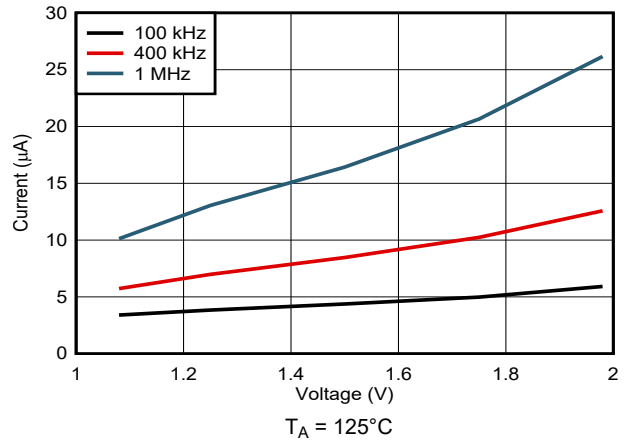


Figure 7-8. Supply Current vs  $V_{DD}$  With Toggling SCL

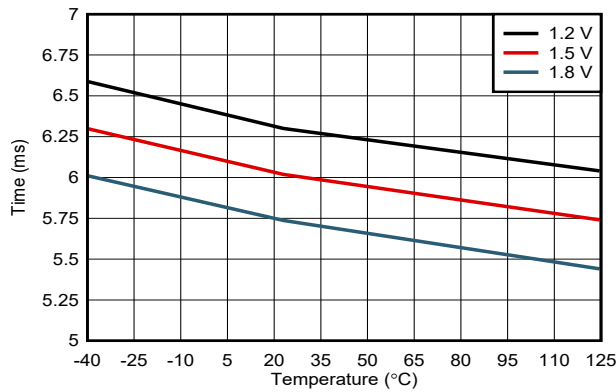


Figure 7-9. Conversion Time vs Temperature

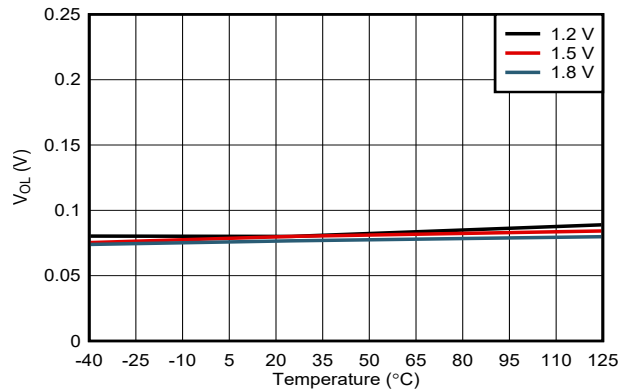


Figure 7-10.  $V_{OL}$  vs Temperature

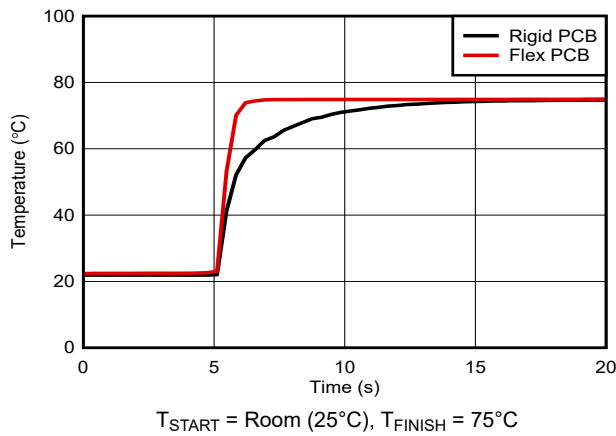


Figure 7-11. Response Time

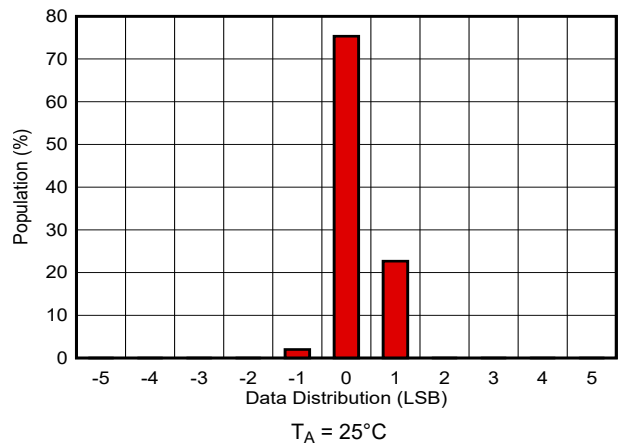


Figure 7-12. Data Distribution With 6.4-ms Conversion Time and Averaging On

### 7.7 Typical Characteristics (continued)

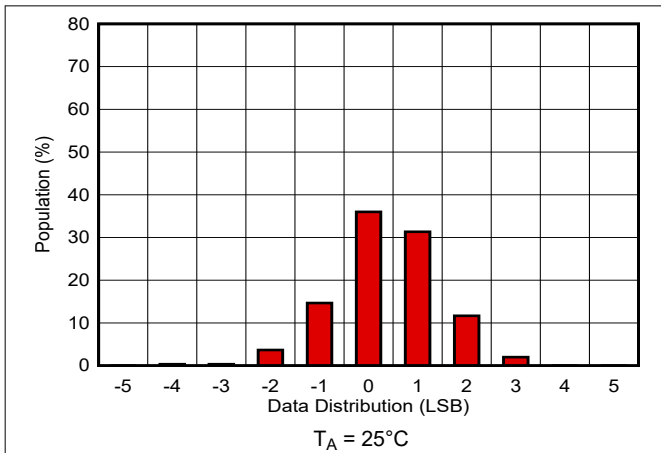


Figure 7-13. Data Distribution With 6.4-ms Conversion Time and Averaging Off

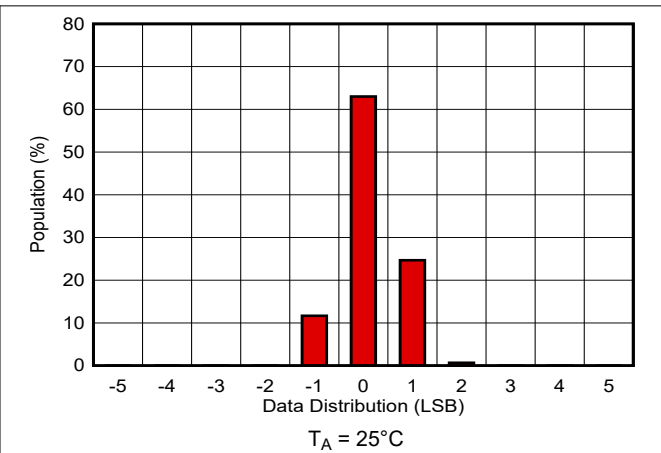


Figure 7-14. Data Distribution With 3.5-ms Conversion Time and Averaging On

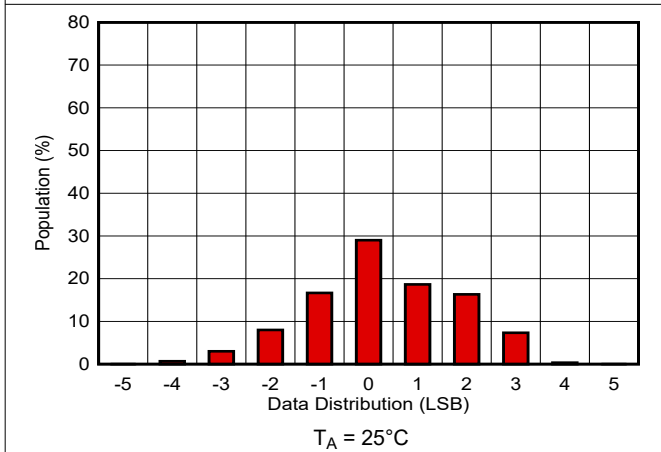


Figure 7-15. Data Distribution With 3.5-ms Conversion Time and Averaging Off

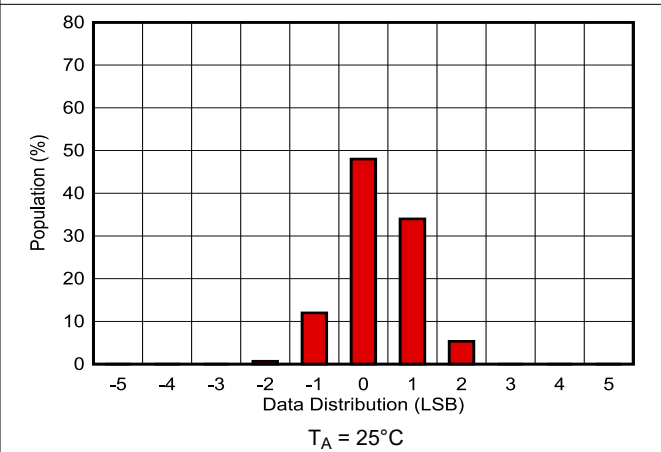


Figure 7-16. Data Distribution With 2-ms Conversion Time and Averaging On

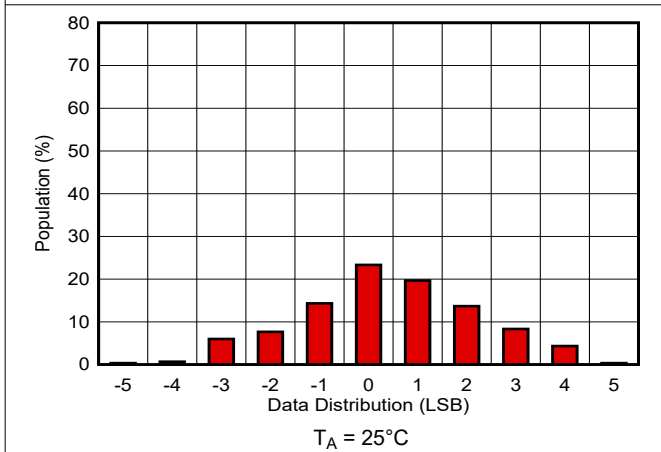


Figure 7-17. Data Distribution With 2-ms Conversion Time and Averaging Off

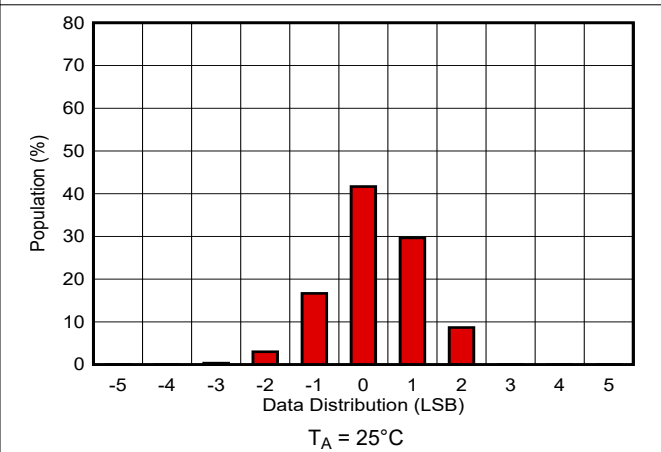


Figure 7-18. Data Distribution With 1.2-ms Conversion Time and Averaging On

## 7.7 Typical Characteristics (continued)

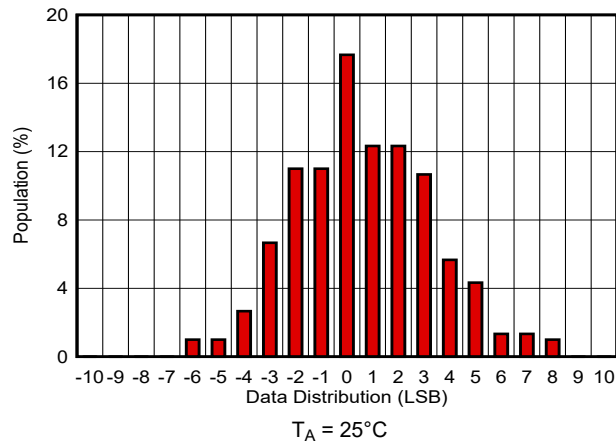


Figure 7-19. Data Distribution With 1.2-ms Conversion Time and Averaging Off

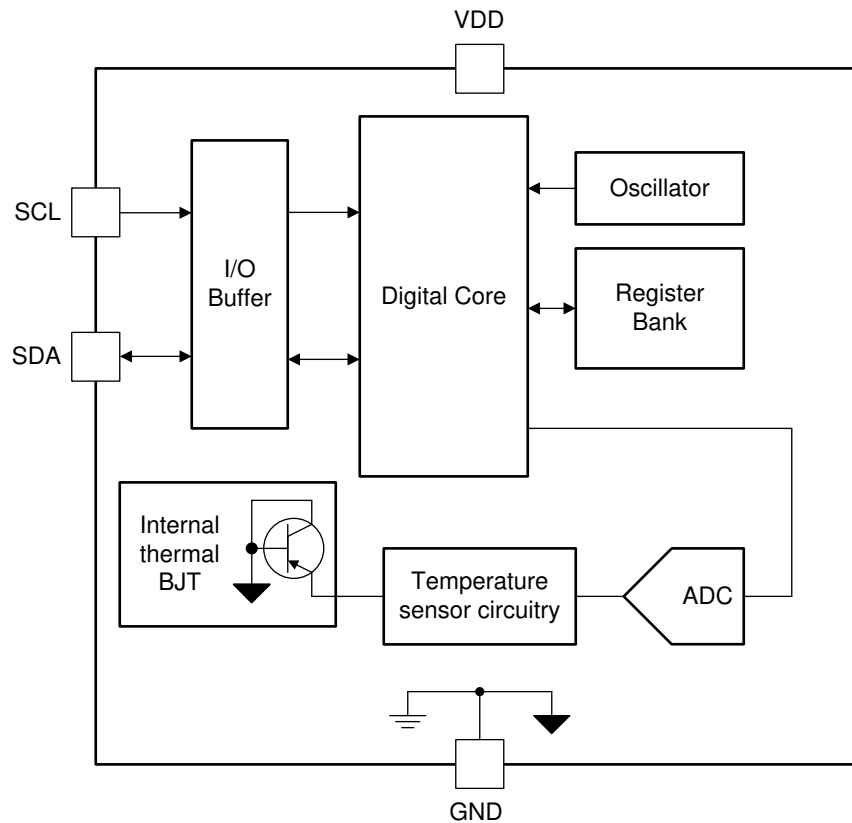
## 8 Detailed Description

### 8.1 Overview

The TMP114 is a digital output temperature sensor that comes factory calibrated on a NIST traceable setup. The device features a two-wire SMBus and I<sup>2</sup>C interface-compatible interface with two modes of operation: continuous mode and shutdown mode designed for thermal management and thermal protection applications. The TMP114 also includes an alert status register with individual high and low thresholds along with adjustable hysteresis values.

Communication with the TMP114 has an integrated optional Cyclic Redundancy Check (CRC) module that will validate the data integrity of write and read operations.

### 8.2 Functional Block Diagram



## 8.3 Feature Description

### 8.3.1 1.2 V Compatible Logic Inputs

The TMP114 features static input thresholds on the SCL and SDA pins independent of supply voltage. This allows the TMP114 to work with a 1.2 V or 1.8 V I<sup>2</sup>C bus at any supported supply voltage.

### 8.3.2 Cyclic Redundancy Check (CRC)

The TMP114 implements an optional CRC function to improve data integrity and communication robustness using an 8-bit polynomial that is checked during communication. By default the feature is disabled and can be enabled by setting the CRC\_EN bit in the [Configuration register](#).

When enabled, the CRC function starts with the seed value of FFh at every start or repeated start condition on the bus and computes one CRC value. After transmitting or receiving a CRC value the TMP114, the next CRC will have the seed value reset to FFh.

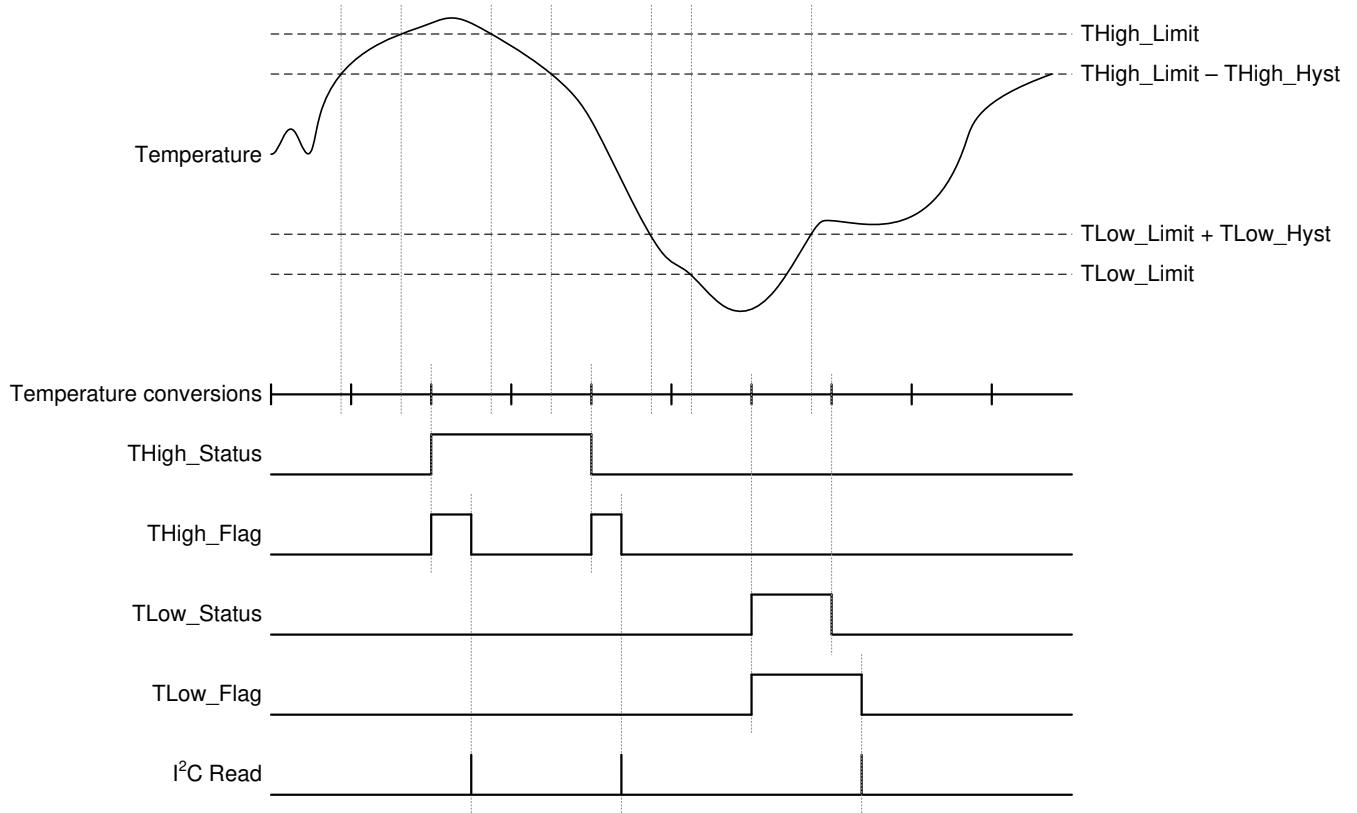
When the TMP114 operates in target receive mode or during a write bus transaction, the CRC byte covers the device address, pointer address, and received data bytes. If the device detects a CRC error on the byte, it shall set the CRC\_flag status bit in the [Alert\\_Status register](#). If the CRC byte is not present, the transaction is discarded and the CRC flag is not set.

When the TMP114 operates in target transmit mode or during a read bus transaction, the CRC byte covers the device address and the sent data bytes.

### 8.3.3 Temperature Limits

TMP114 includes an on-board temperature limit warning. At the end of every completed conversion, the TMP114 compares the result against the limits stored in the low limit register and the high limit register. When the results exceed the THigh\_Limit register value, the THigh\_Status and THigh\_Flag bits are set. Upon read, the THigh\_Flag will clear but the THigh\_Status bit will remain set. After the measured temperature crosses below the THigh\_Limit - THigh\_Hyst value, the THigh\_Status bit will clear and the THigh\_Flag bit is set again to indicate a change in the temperature with respect to the limits.

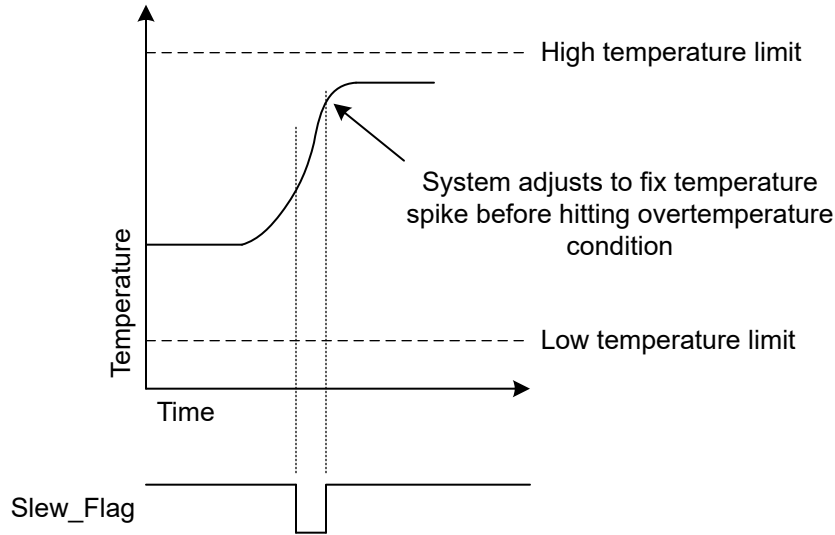
If the controller is unable to read the Temp\_Result register for a prolonged period of time, the flag bits can be used to determine if a thermal limit was crossed during that time. The flag bits will only clear after a successful Alert\_Status register read, therefore the high and low flags can help determine if the system crossed the thermal limit before an I2C read could be performed. The Status bits will automatically update with changing Temp\_Result values. [Figure 8-1](#) depicts this behavior.



**Figure 8-1. Alert Status Timing Diagram**

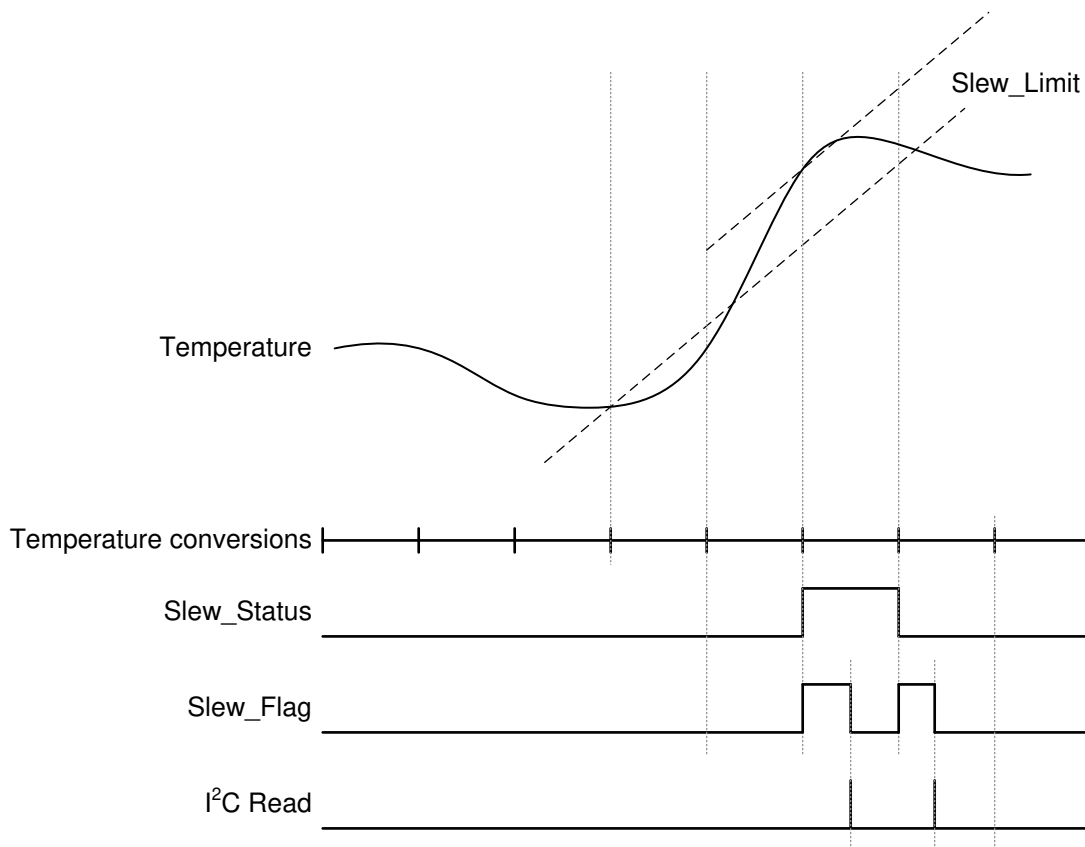
### 8.3.4 Slew Rate Warning

The slew warning alert is an alert option that can be adjusted with the Slew\_Limit register. The slew rate warning will notify the system of rapid temperature changes as they occur, allowing the system to react and correct for the increase in temperature before reaching thermal operating limits. Compared to throttling a system after crossing a thermal limit, the slew rate warning will allow more safe system operation and greater reliability by not exceeding specified system operating conditions.



**Figure 8-2. Slew Rate Alert**

Calculating the slew rate requires a fixed time period to calculate and is only available in continuous mode. The Slew\_Limit register is used to set the unsigned limit. The TMP114 will monitor the temperature slew rate and compare the positive change of temperature from the current conversion to the previous against the Slew\_Limit. If the slew rate exceeds the Slew\_Limit, the respective bits in the Alert\_Status register will be set to indicate the warning. Figure 8-2 depicts the timing of the Slew Rate Warning relative to the temperature conversions. The slew rate check is always applied to the current temperature conversion and the previous temperature conversion.



**Figure 8-3. Slew Rate Warning Timing Diagram**

The accuracy of the slew rate alert is  $\pm 15\%$  due to the dependence on the internal oscillator frequency variation for the calculation. Upon exiting continuous conversion mode, the slew rate alert will be automatically shut off. The register settings will not be altered. The feature will automatically turn on upon entering continuous conversion mode. The slew rate alert can only be set for positive slew rate limits.

**8.3.5 NIST Traceability**

The accuracy of temperature testing is verified with equipment that is calibrated by an accredited lab that complies with ISO/IEC 17025 policies and procedures. Each device is tested and trimmed to conform to its respective data sheet specification limits.

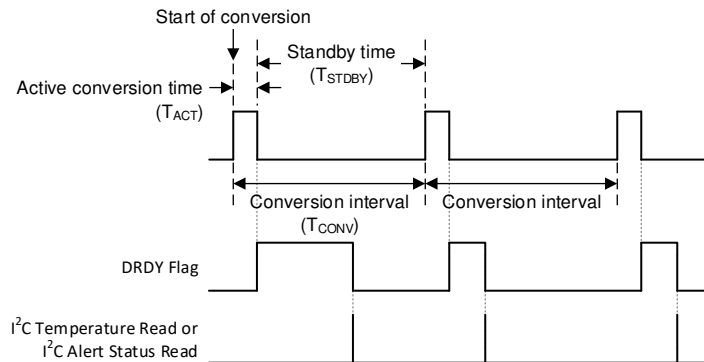


## 8.4 Device Functional Modes

The TMP114 can be configured to operate in continuous or shutdown mode. This flexibility enables designers to balance the requirements of power efficiency and performance.

### 8.4.1 Continuous Conversion Mode

When the Mode bit is set to 0b in the configuration register, the device operates in continuous conversion mode. [Figure 8-4](#) shows the device in a continuous conversion cycle. In this mode, the device can perform multiple conversions and updates the temperature result register and Data\_Ready\_Flag in the alert status register at the end of every active conversion. The typical active conversion time for the device is 6.4 ms with averaging disabled. When averaging is enabled, the device will convert 8 consecutive times at the beginning of every conversion period for a typical time of 51.2 ms.



**Figure 8-4. Continuous Conversion Cycle Timing Diagram**

The Conv\_Period[1:0] bits in the configuration register control the rate at which the conversions are performed. The device typically consumes 68  $\mu\text{A}$  during conversion and 0.26  $\mu\text{A}$  during the low power standby period. By decreasing the rate at which the conversions are performed, the application can benefit from reduced average current consumption in continuous mode.

Use [Equation 1](#) to calculate the average current in continuous mode.

$$\text{Average Current} = ((I_{\text{ACT}} \times t_{\text{ACTIVE}}) + (I_{\text{Standby}} \times t_{\text{Standby}})) / t_{\text{Conv\_Period}} \quad (1)$$

Where

- $t_{\text{ACTIVE}}$  = Active Conversion Time
- $t_{\text{Conv\_Period}}$  = Conversion Period
- $t_{\text{Standby}}$  = Standby time between conversions calculate as  $t_{\text{Conv\_Period}} - t_{\text{ACTIVE}}$

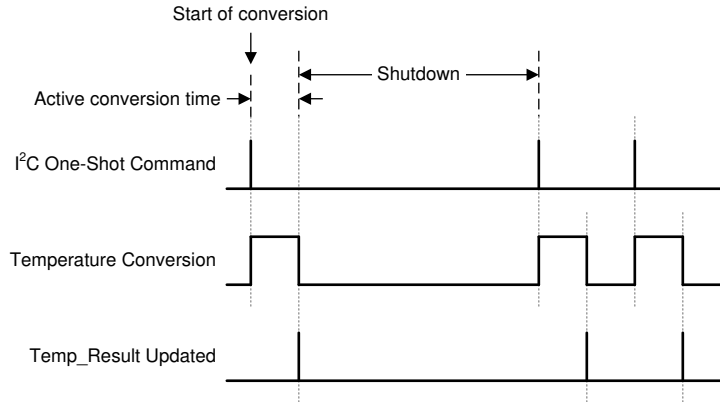
### 8.4.2 Shutdown Mode

When the Mode bit is set to 1b in the Configuration register, the device immediately enters the low-power shutdown mode. If the TMP114 is performing a temperature conversion, the device will stop the conversion and discard the partial result. In this mode, the device powers down all active circuitry and can be used in conjunction with the One\_Shot bit to perform One-Shot temperature conversions. Shutdown mode enables designers to extend battery life as the typical power consumption is only 0.16 $\mu\text{A}$  in this mode of operation.

Changing between continuous and shutdown modes will not clear any active. The slew rate alert will not be triggered again in shutdown mode, but previous active alerts will not clear until the alert register is read or a one-shot temperature conversion is triggered.

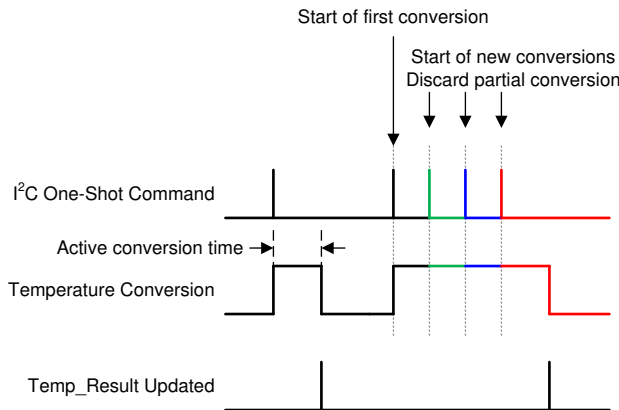
### 8.4.2.1 One-Shot Temperature Conversions

When the OS bit is set to 1b in the Configuration register, the TMP114 immediately start a one-shot temperature conversion. If the TMP114 is performing a temperature conversion, the device will stop the active conversion and discard the partial result, then start a new one-shot conversion. After completing the one-shot conversion the TMP114 will enter shutdown mode, the OS bit will be cleared, and the Mode bit will be set to 1b. If a one-shot conversion is triggered in continuous mode the device will enter shutdown mode after the one-shot conversion completes.



**Figure 8-5. One-Shot Timing Diagram**

If the One\_Shot bit is continuously written as faster than the active conversion time of the TMP114, the device will continue to restart the temperature conversion with each new write to the One\_Shot bit. TI recommends to avoid this behavior because the temperature result does not update until a conversion finishes. If the system triggers several continuous one-shot conversions, [Figure 8-6](#) depicts how the device would continually partially finish new conversions and not update the Temp\_Result register.



**Figure 8-6. One-Shot Continuous Trigger Timing Diagram**

## 8.5 Programming

### 8.5.1 Temperature Data Format

Temperature data is represented by a 16-bit two's complement word with a Least Significant Bit (LSB) equal to 0.0078125°C. The temperature output of the TMP114 has a range of –256°C to 255°C.

**Table 8-1. 16-Bit Temperature Data Format**

Temperature	Digital Output	
	Binary	Hex
+125°C	0011 1110 1000 0000	3E80
+25°C	0000 1100 1000 0000	0C80
+0.0078125°C	0000 0000 0000 0001	0001
0°C	0000 0000 0000 0000	0000
–0.0078125°C	1111 1111 1111 1111	FFFF
–25°C	1111 0011 1000 0000	F380
–40°C	1110 1100 0000 0000	EC00

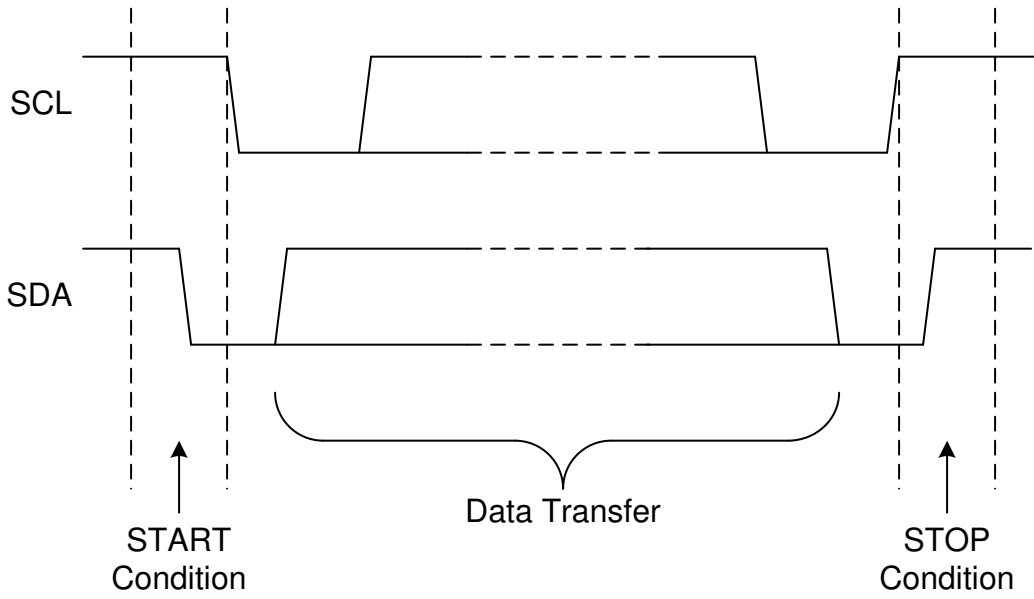
### 8.5.2 I<sup>2</sup>C and SMBus Interface

The TMP114 has a standard bidirectional I<sup>2</sup>C interface that is controlled by a controller device in order to be configured or read the status of this device. Each target on the I<sup>2</sup>C bus has a specific device address to differentiate between other target devices that are on the same I<sup>2</sup>C bus. Many target devices require configuration upon start-up to set the behavior of the device. This is typically done when the controller accesses internal register maps of the target, which have unique register addresses. A device can have one or multiple registers where data is stored, written, or read. The TMP114 includes 50-ns glitch suppression filters, allowing the device to coexist on an I<sup>3</sup>C mixed bus. The TMP114 supports transmission data rates up to 1 MHz.

The physical I<sup>2</sup>C interface consists of the serial clock (SCL) and serial data (SDA) lines. Both SDA and SCL lines must be connected to a supply through a pullup resistor. The size of the pullup resistor is determined by the amount of capacitance on the I<sup>2</sup>C lines and the communication frequency. For further details, see the [I<sup>2</sup>C Pullup Resistor Calculation](#) application report. Data transfer may be initiated only when the bus is idle. A bus is considered idle if both SDA and SCL lines are high after a STOP condition (see [Figure 8-7](#) and [Figure 8-8](#)).

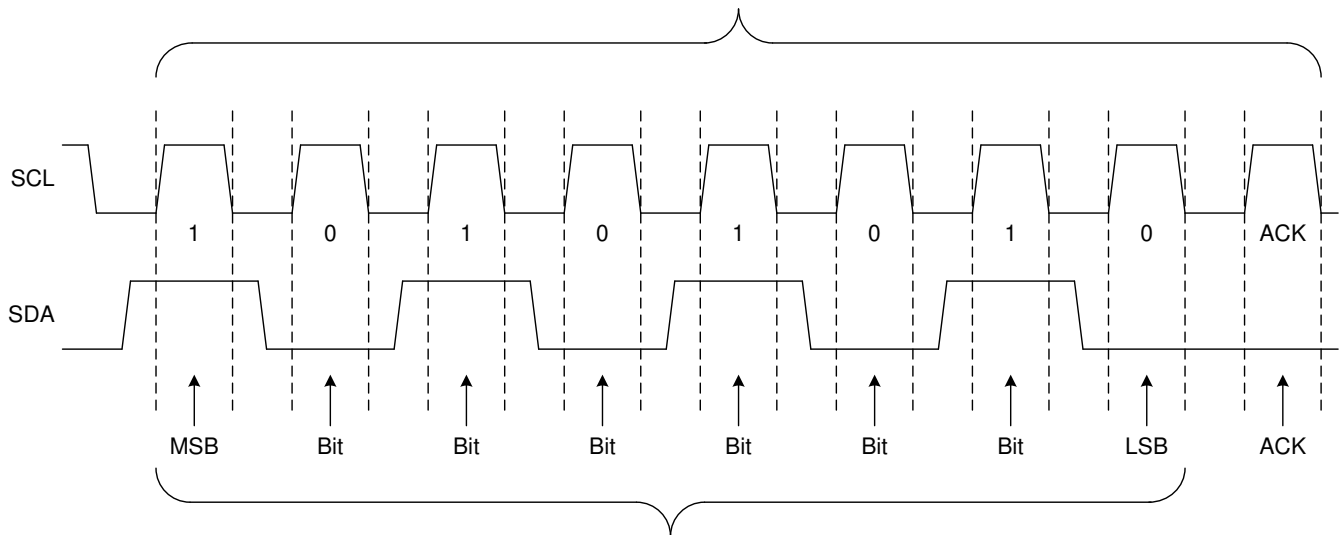
The following is the general procedure for a controller to access a target device:

1. If a controller wants to send data to a target:
  - Controller-transmitter sends a START condition and addresses the target-receiver.
  - Controller-transmitter sends the requested register to write target-receiver.
  - Controller-transmitter sends data to target-receiver.
  - Controller-transmitter terminates the transfer with a STOP condition.
2. If a controller wants to receive or read data from a target:
  - Controller-receiver sends a START condition and addresses the target-transmitter.
  - Controller-receiver sends the requested register to read to target-transmitter.
  - Controller-receiver receives data from the target-transmitter.
  - Controller-receiver terminates the transfer with a STOP condition.



**Figure 8-7. Definition of Start and Stop Conditions**

SDA line is stable while SCL line is high



Byte: 1010 1010 (AAh)

**Figure 8-8. Bit Transfer**

### 8.5.3 Device Address

To communicate with the TMP114, the controller must first address target devices through an address byte. The address byte has seven address bits and a read-write (R/W) bit that indicates the intent of executing a read or write operation. [Table 8-2](#) shows the TMP114 available in multiple versions, each with a different target address.

**Table 8-2. Device Target Address**

Product	Device Two-Wire Address
TMP114A	1001000
TMP114B	1001001
TMP114C	1001010
TMP114D	1001011
TMP114ND	1001100
TMP114NC	1001101
TMP114NB	1001110
TMP114NA	1001111

### 8.5.4 Bus Transactions

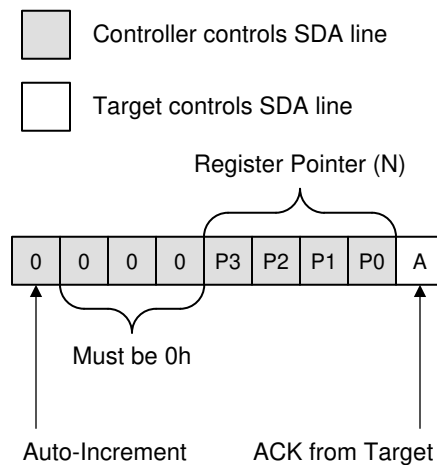
Data must be sent to and received from the target devices, and this is accomplished by reading from or writing to registers in the target device.

Registers are locations in the memory of the target which contain information, whether it be the configuration information or some sampled data to send back to the controller. The controller must write information to these registers in order to instruct the target device to perform a task.

#### 8.5.4.1 Auto-Increment

The TMP114 supports the use of the auto-increment feature. In the control register byte of the I2C transaction, bit 7 is used as the auto-increment bit. If the bit is set to 0b, continuous reads or writes will only read and write to the register specified in the register pointer. If the Auto-increment bit is set to 1b, continuous reads and writes will increment the address pointer by 1 after every word of data has been read or written to the TMP114. This allows the controller to read or write to multiple registers with a single transaction for faster communication.

[Figure 8-9](#) shows the structure of the Control Register.



**Figure 8-9. Control Register**

### 8.5.4.2 Writes

To write on the I<sup>2</sup>C bus, the controller sends a START condition on the bus with the address of the target, as well as the last bit (the R/W bit) set to 0b, which signifies a write. The target acknowledges, letting the controller know it is ready. After this, the controller starts sending the control register data to the target until the controller has sent all the data necessary, and the controller terminates the transmission with a STOP condition.

Writes to read-only registers or register locations outside of the register map will be ignored. The TMP114 will still ACK when writing outside of the register map.

Figure 8-10 shows an example of writing a single word write communication.

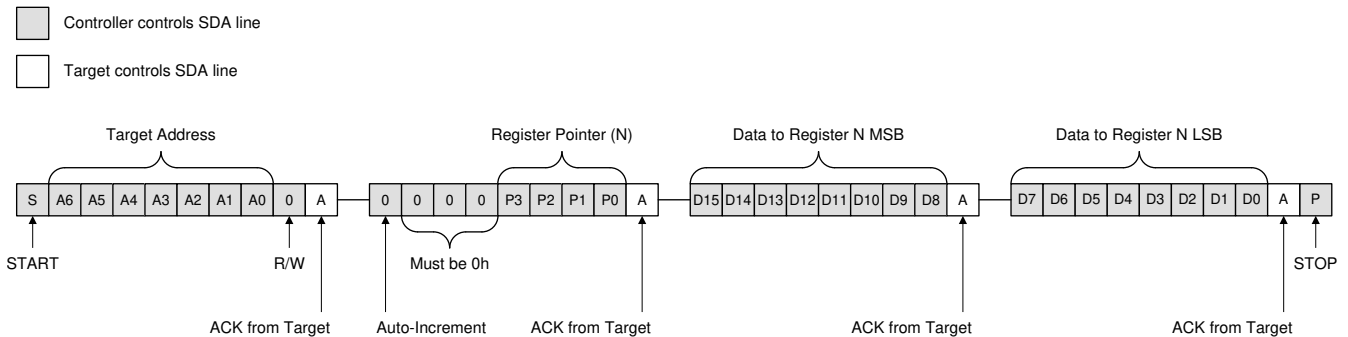


Figure 8-10. Write to Single Register

Multiple writes to the same register are also possible with the TMP114. Figure 8-11 shows how the controller can repeatedly write to the same register when the Auto-Increment bit in the control register is set to 0b.

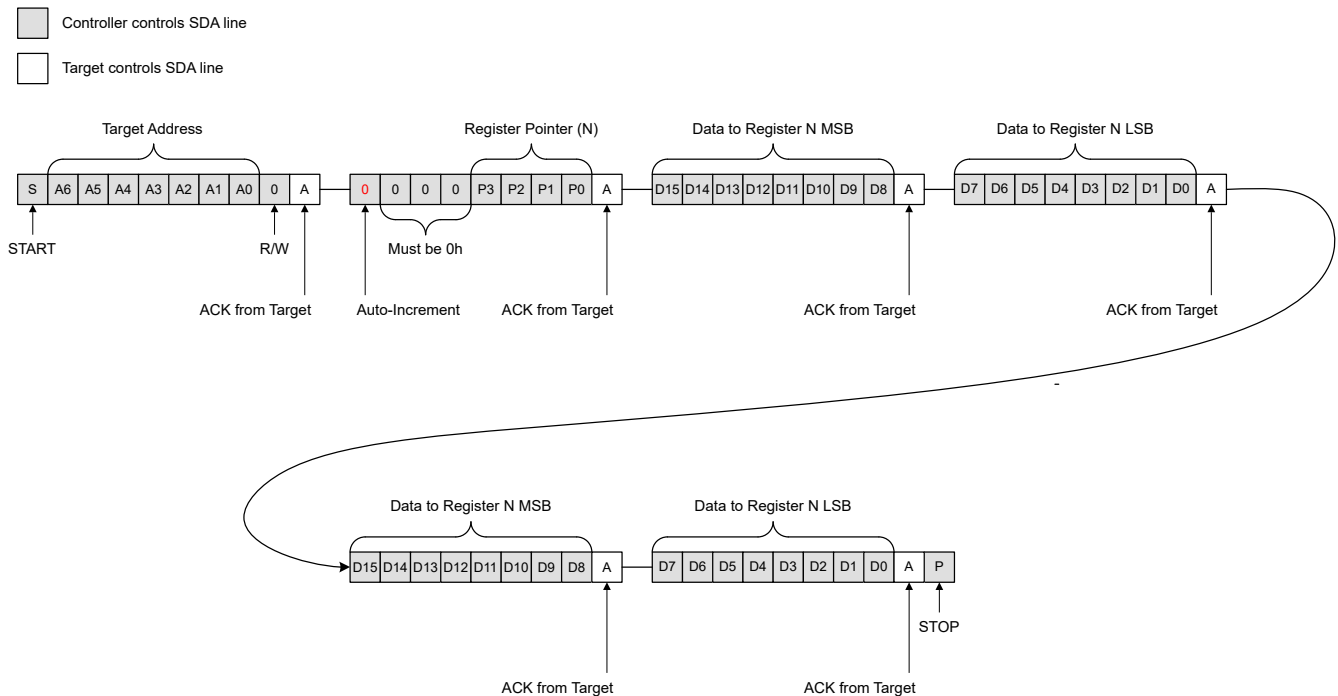
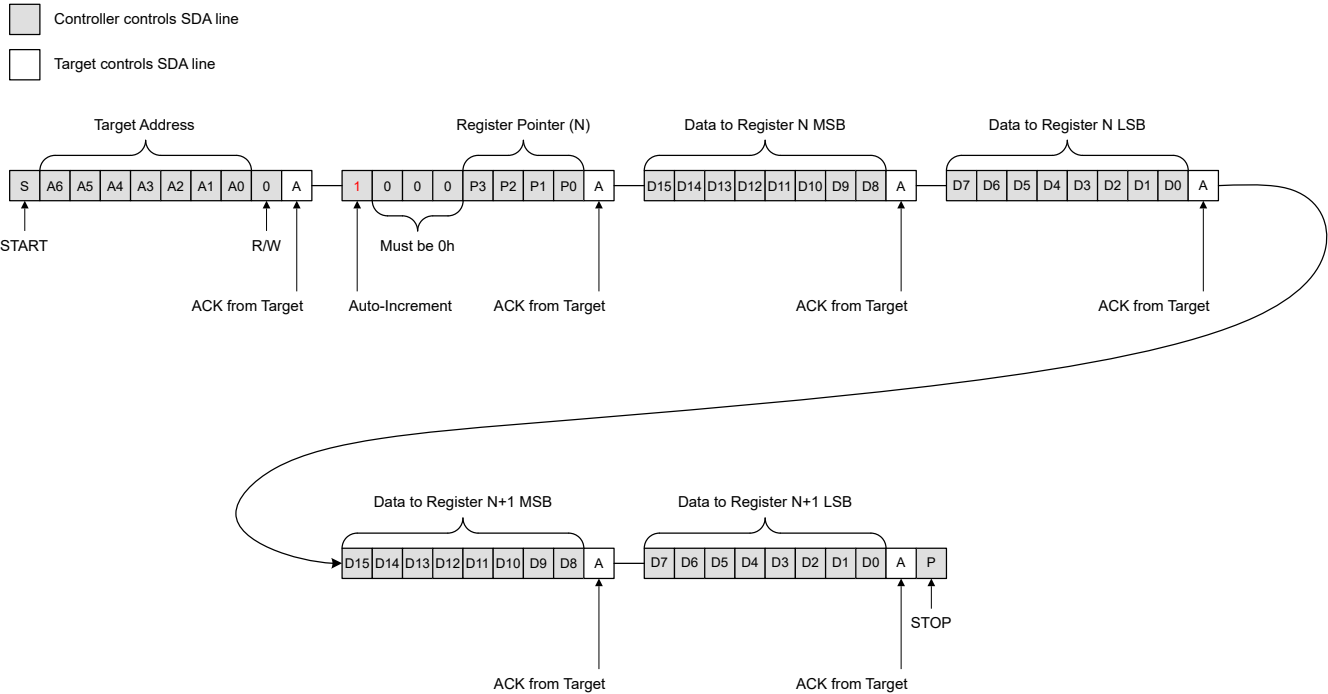


Figure 8-11. Repeated Write to Single Register

The TMP114 also supports a continuous write to sequential registers. By setting the Auto-Increment bit in the control register to 1b, the TMP114 will increment the address pointer after each word of data is written to the device. This allows the controller to write multiple register values in the same transaction as shown in [Figure 8-12](#). Currently this feature will not allow the controller to properly write to the Configuration register and it is recommended to use single register writes to the Configuration register.

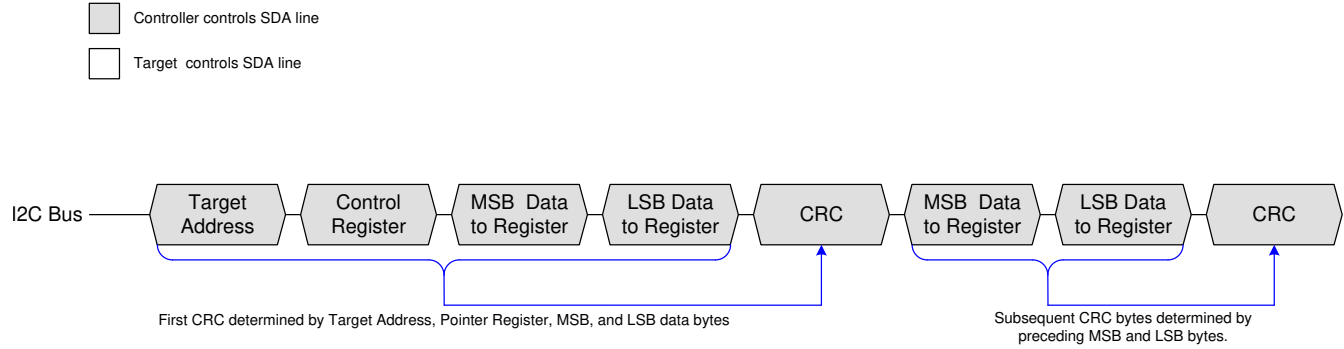


**Figure 8-12. Burst Write to Multiple Registers**

#### 8.5.4.2.1 CRC Enabled Writes

The TMP114 supports the ability to check data integrity with an 8-bit CRC value for every transaction. By setting the CRC\_Enable bit to 1b in the Configuration Register, the device will use CRC to validate any write transactions. During a CRC enabled write transaction, the TMP114 will check the Target Address, Control Register, MSB, and LSB of data against the CRC value. After the first CRC byte, each subsequent MSB and LSB of data sent to the TMP114 will have its own CRC byte for validation. If the first CRC byte fails, the TMP114 will discard the entire write transaction. If the first CRC passes, the TMP114 will only discard data if the associated CRC checksum fails. For example, consider the case where a controller tries to write values to registers 03h, 04h, and 05h. If the first and third CRC values are valid but the second CRC value is incorrect, the TMP114 will shift the 03h and 05h values into the registers and discard the 04h values. [Figure 8-13](#) shows an overview of a write transaction with CRC.

If the TMP114 determines the CRC failed, it will NACK on the CRC byte and the CRC\_Flag bit in the Alert status register will be set. If the CRC byte is not included the TMP114 will interpret this as an incomplete transaction and discard the write contents and the status flag will not be set. Multiple writes to the same register in a single transaction with Auto-Increment set to 0b and CRC enabled is not supported.

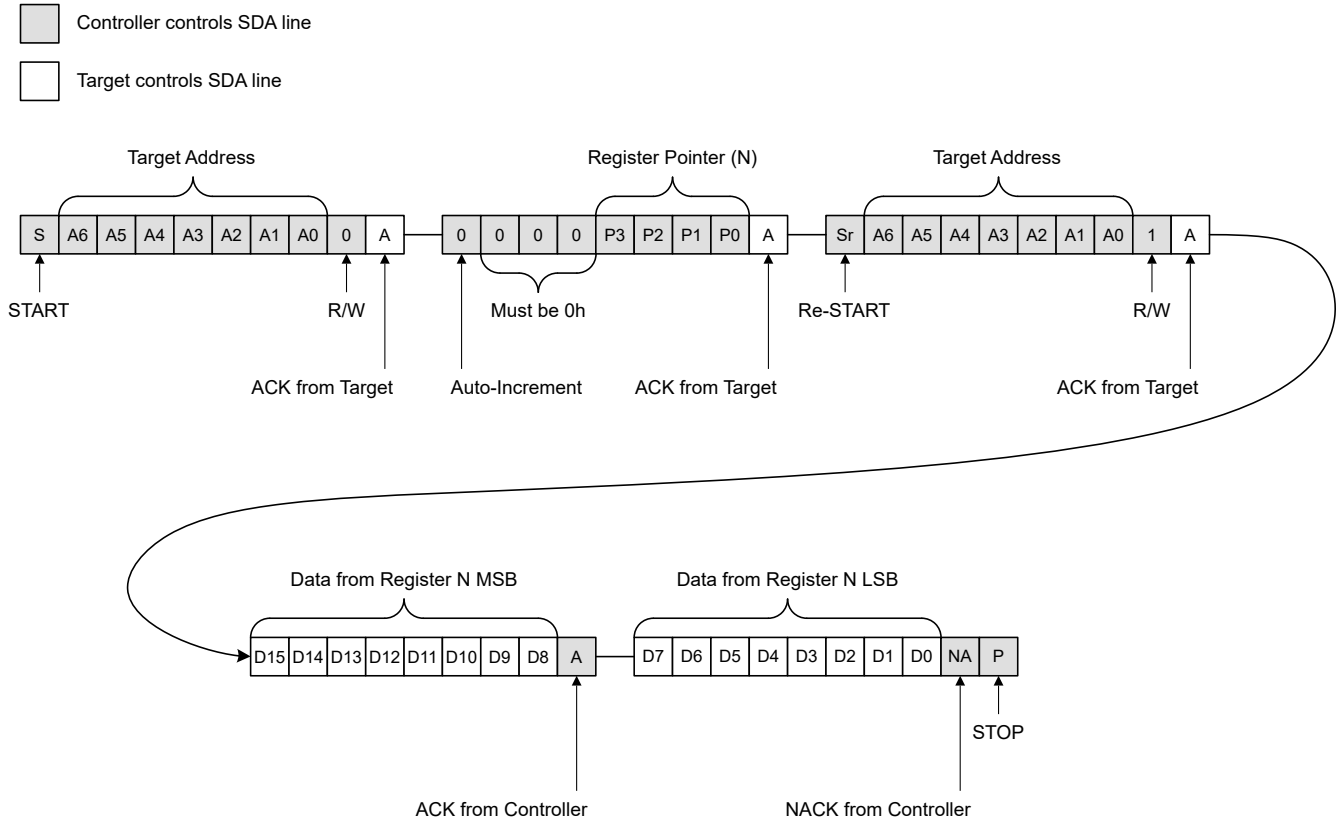


**Figure 8-13. CRC Enabled Write**

**8.5.4.3 Reads**

For a read operation the controller sends a START condition, followed by the target address with the R/W bit set to 0b (signifying a write). The target acknowledges the write request, and the controller sends the command byte with the Auto-Increment bit and Register Pointer. After the Control Register, the controller will initiate a restart followed by the target address with the R/W bit set to 1b (signifying a read). The controller will continue to send out clock pulses but releases the SDA line so that the target can transmit data. At the end of every byte of data, the controller sends an ACK to the target, letting the target know that it is ready for more data. Once the controller has received the number of bytes it is expecting, it sends a NACK, signaling to the target to halt communications and release the SDA line. The controller follows this up with a STOP condition. Reading from a non-indexed register location will return 00h.

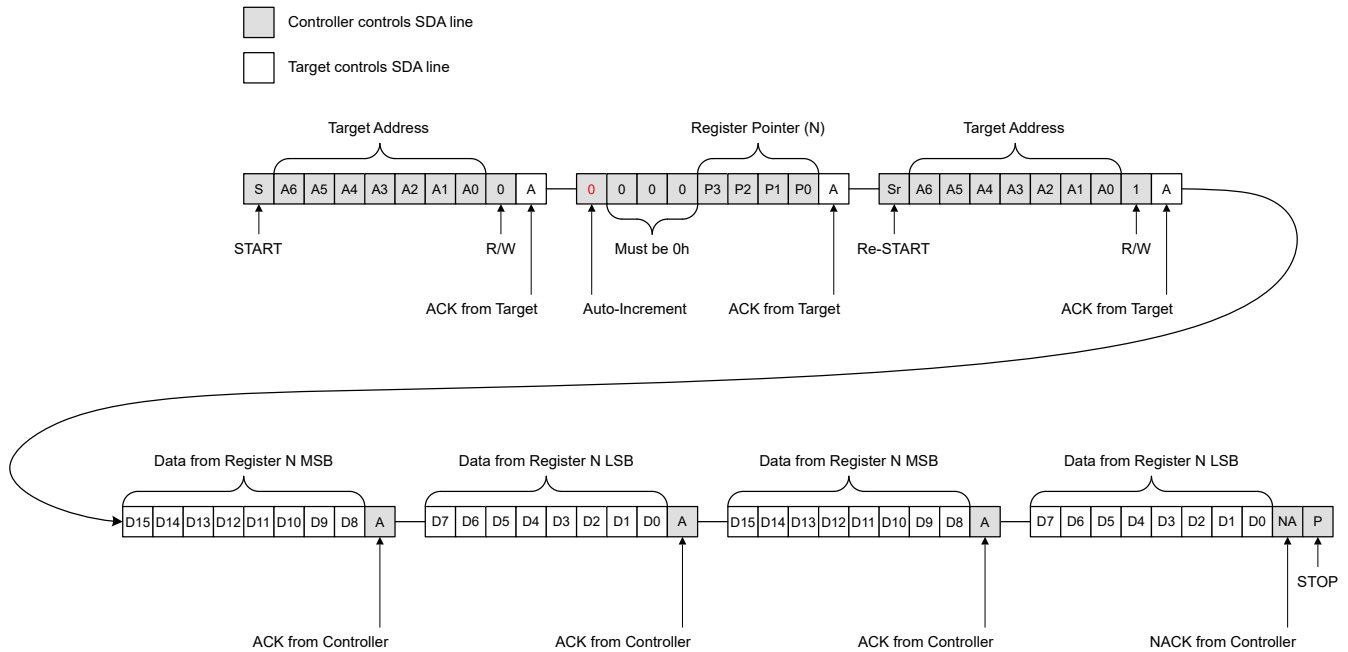
Figure 8-14 shows an example of reading a single word from a target register.



**Figure 8-14. Read from Single Register**

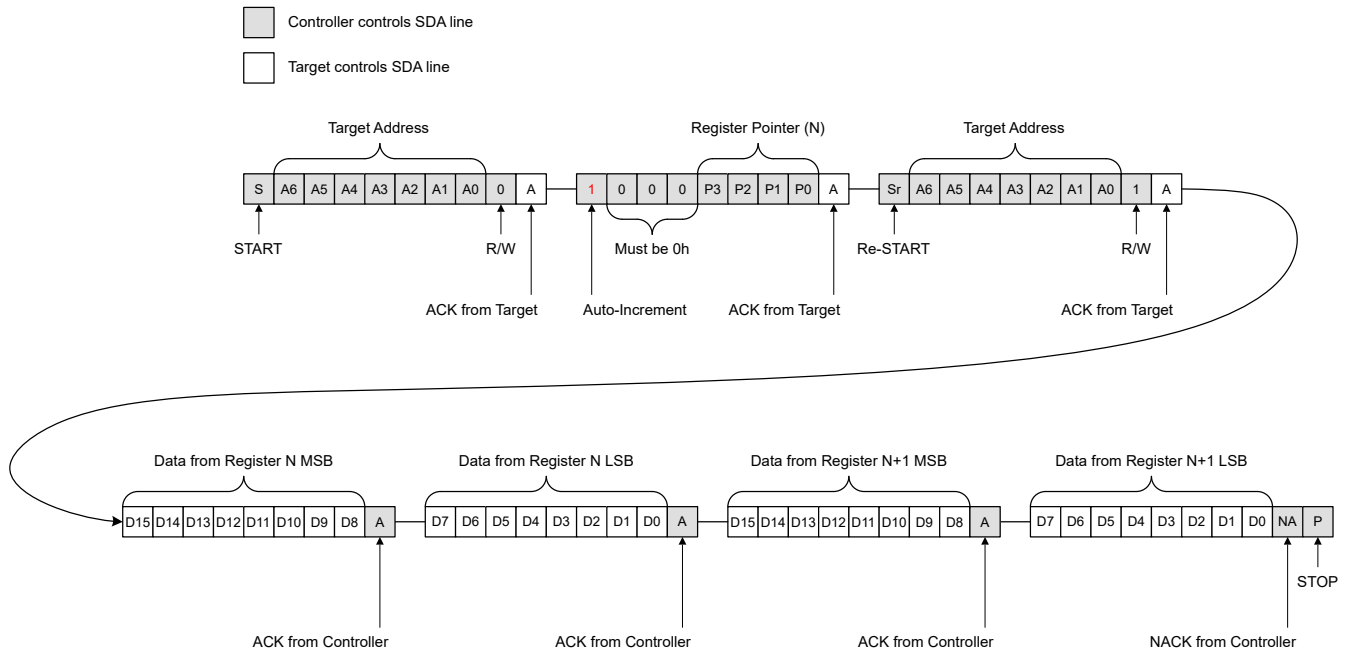


Multiple reads from the same register are also possible with the TMP114. Figure 8-15 shows how the controller can repeatedly read from the same register when the Auto-Increment bit in the control register is set to 0b. When reading from the same register in the same transaction the device must be read faster than the I<sup>2</sup>C timeout period.



**Figure 8-15. Repeated Read from Single Register**

The TMP114 also supports a continuous read from sequential registers. By setting the Auto-Increment bit in the control register to 1b, the TMP114 will increment the address pointer after each word of data is read from the device. This allows the controller to read multiple register values in the same transaction as shown in Figure 8-16. Currently, using a burst read will not clear the Alert Status register. It is recommended to use single register reads to clear Alert Status register contents.

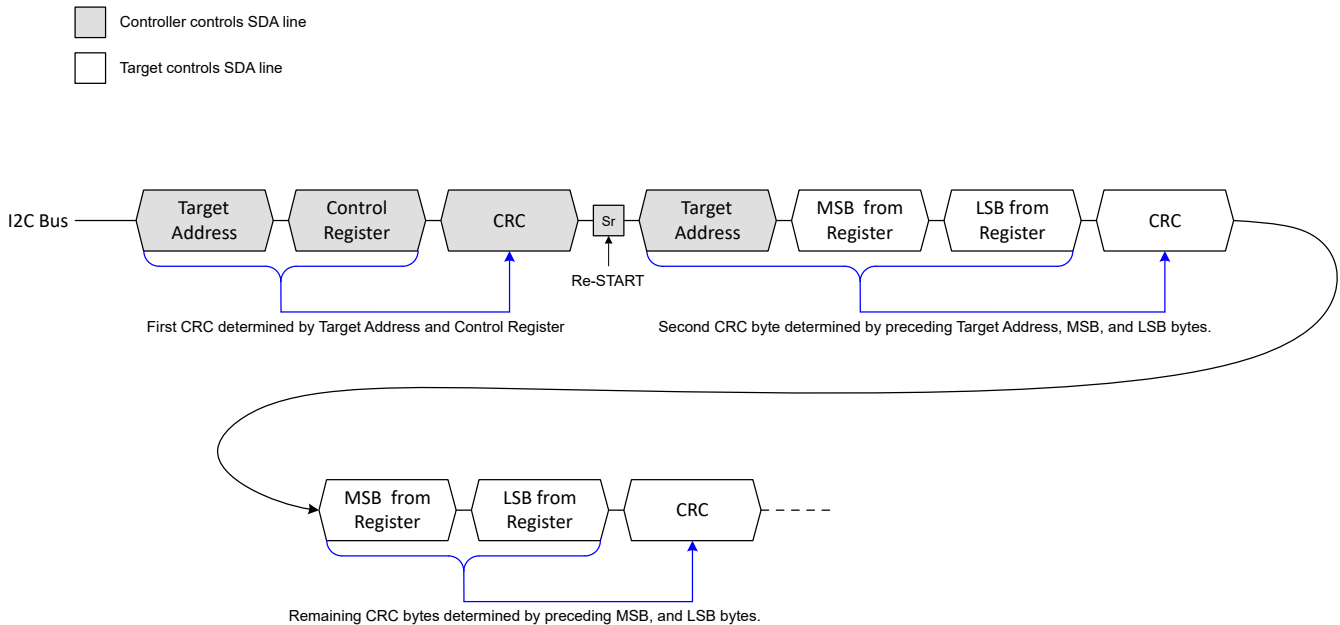


**Figure 8-16. Burst Read from Multiple Registers**

### 8.5.4.3.1 CRC Enabled Reads

The TMP114 supports the ability to check data integrity with an 8-bit CRC value for every read transaction. By setting the CRC\_Enable bit to 1b in the Configuration Register, the device will use CRC to validate any read transactions. During a CRC enabled read, the TMP114 will check the Target Address and Control Register against the CRC value sent by the controller. The second CRC byte, after the restart, will be sent by the TMP114 and will check the Target Address, MSB, and LSB from the first register. All subsequent MSB and LSB bytes of data sent from the TMP114 will have their own CRC values. [Figure 8-17](#) shows an overview of a read transaction with CRC.

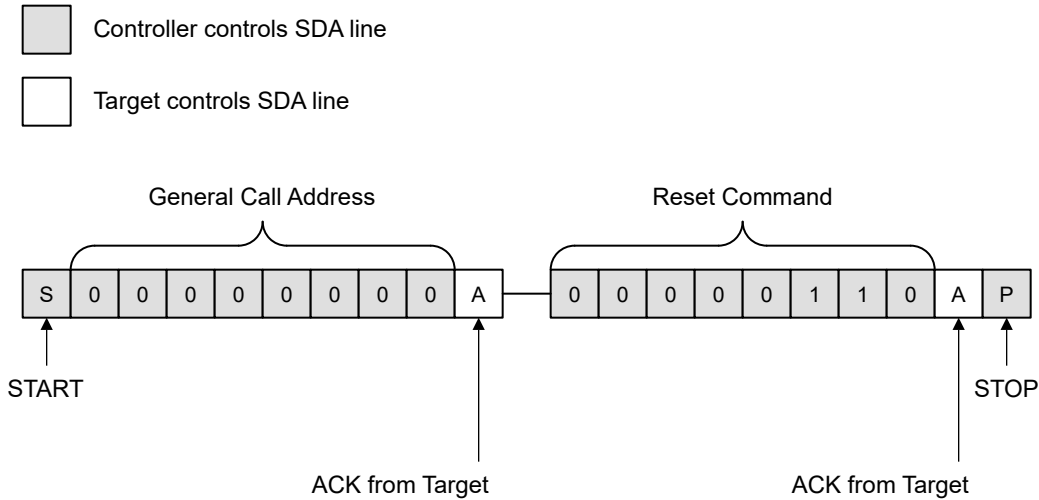
If the TMP114 determines the CRC failed, it will NACK on the CRC byte and the CRC\_Flag bit in the Alert status register will be set. The TMP114 will NACK after the restart to its target address and send FFh if the controller continues clocking the SCL line until a STOP condition is sent and a new transaction started.



**Figure 8-17. CRC Enabled Read**

### 8.5.4.4 General Call Reset Function

The TMP114 responds to a two-wire, general-call address (0000 000) if the eighth bit is 0b. The device acknowledges the general-call address and responds to commands in the second byte. If the second byte is 0000b 0110b, the TMP114 internal registers are reset to power-up values as shown in Figure 8-18. The serial address is unaffected by the general call reset.



**Figure 8-18. SMBus General Call Timing Diagram**

### 8.5.4.5 Time-Out Function

The TMP114 resets the serial interface if the SCL line is held low by the controller or the SDA line is held low by the TMP114 for 30 ms (typical) between a START and STOP condition. The TMP114 releases the SDA line if the SCL pin is pulled low and waits for a START condition from the controller. To avoid activating the timeout function, maintain a communication speed of at least 1 kHz for the SCL operating frequency. If another device on the bus is holding the SDA pin low, the TMP114 will not reset.

### 8.5.4.6 Coexist on I3C MixedBus

A bus with both I3C and I<sup>2</sup>C interfaces is referred to as a mixed with clock speeds up to 12.5 MHz. The TMP114 is an I<sup>2</sup>C device that can be on the same bus that has an I3C device attached as the TMP114 incorporates a spike suppression filter of 50 ns on the SDA and SCL pins to avoid any interference to the bus when communicating with I3C devices.

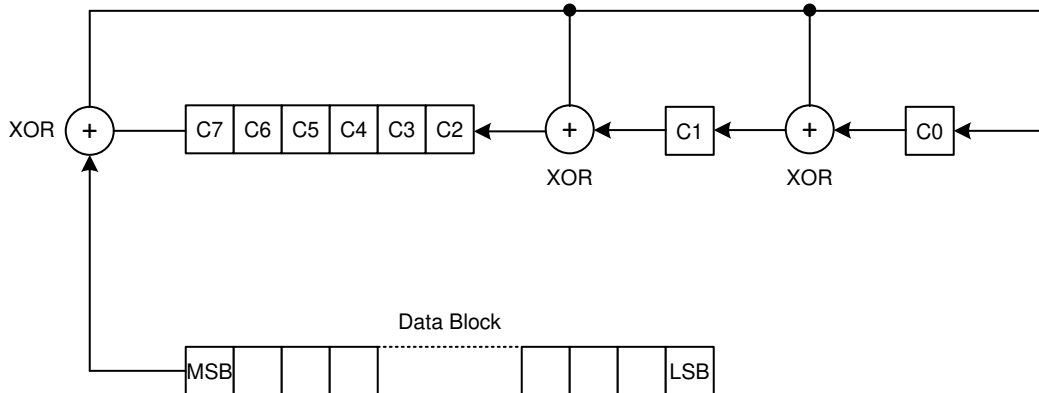
### 8.5.4.7 Cyclic Redundancy Check Implementation

Table 8-3 defines the CRC calculation rule.

**Table 8-3. CRC Rule Table**

CRC Rule	Value
CRC Width	8 bits
Polynomial	$x^8 + x^2 + x + 1$ (07h)
Initial seed value	FFh
Input data reflected	No
Result data reflected	No
XOR value	00h

The CRC calculation is done on the command word and the data block. Figure 8-19 shows the block diagram. The module consists of an 8-bit shift register and 3 exclusive-OR gates. The register starts with the seed value FFh and the module performs an XOR function and shifts its content until the last bit of the register string is used. The final value of the shift register is the checksum that is checked by either the controller or the TMP114 to validate the transaction.



**Figure 8-19. CRC Module**

## 8.6 Register Map

**Table 8-4. TMP114 Registers**

ADDRESS	TYPE	RESET	ACRONYM	REGISTER NAME	SECTION
00h	R	0000h	Temp_Result	Temperature result register	<a href="#">Go</a>
01h	R	0000h	Slew_Result	Slew rate result register	<a href="#">Go</a>
02h	R/RC	0000h	Alert_Status	Alert status register	<a href="#">Go</a>
03h	R/W	0004h	Configuration	Configuration register	<a href="#">Go</a>
04h	R/W	F380h	TLow_Limit	Temperature low limit register	<a href="#">Go</a>
05h	R/W	2A80h	THigh_Limit	Temperature high limit register	<a href="#">Go</a>
06h	R/W	0A0Ah	Hysteresis	Hysteresis register	<a href="#">Go</a>
07h	R/W	0500h	Slew_Limit	Temperature slew rate limit register	<a href="#">Go</a>
08h	R	xxxxh	Unique_ID1	Unique_ID1 register	<a href="#">Go</a>
09h	R	xxxxh	Unique_ID2	Unique_ID2 register	<a href="#">Go</a>
0Ah	R	xxxxh	Unique_ID3	Unique_ID3 register	<a href="#">Go</a>
0Bh	R	1114h	Device_ID	Device ID register	<a href="#">Go</a>
10h - 2Ah	R	xxxxh	Reserved	Reserved	

**Table 8-5. TMP114 Access Type Codes**

Access Type	Code	Description
Read Type		
R	R	Read
RC	R C	Read to Clear
R-0	R -0	Read Returns 0s
Write Type		
W	W	Write
Reset or Default Value		
-n		Value after reset or the default value

### 8.6.1 Temp\_Result Register (Address = 00h) [reset = 0000h]

This register stores the latest temperature conversion result in a 16-bit two's complement format with a LSB (Least Significant Bit) equal to 0.0078125°C.

Return to [Register Map](#).

**Figure 8-20. Temp\_Result Register**

15	14	13	12	11	10	9	8
Temp_Result[15:8]							
R-00h							
7	6	5	4	3	2	1	0
Temp_Result[7:0]							
R-00h							

**Table 8-6. Temp\_Result Register Field Descriptions**

Bit	Field	Type	Reset	Description
15:0	Temp_Result[15:0]	R	0000h	16-bit temperature conversion result Temperature data is represented by a 16-bit, two's complement word with an LSB (Least Significant Bit) equal to 0.0078125°C.

### 8.6.2 Slew\_Result Register (Address = 01h) [reset = 0000h]

This register stores the latest temperature conversion result in a 14-bit two's complement format with a LSB (Least Significant Bit) equal to 0.03125°C/s. The Slew Rate Warning currently does not support negative values.

Return to [Register Map](#).

**Figure 8-21. Slew\_Result Register**

15	14	13	12	11	10	9	8
Slew_Result[13:6]							
R-0h							
7	6	5	4	3	2	1	0
Slew_Result[5:0]						<b>Reserved</b>	
R-0h						R-0h	

**Table 8-7. Slew\_Result Register Field Descriptions**

Bit	Field	Type	Reset	Description
15:2	Slew_Result[13:0]	R	0000h	Temperature slew rate result Temperature slew rate is represented by a 14-bit, two's complement word with an LSB (Least Significant Bit) equal to 0.03125°C/s.
1:0	Reserved	R	0h	These two bits will always read 0h

### 8.6.3 Alert\_Status Register (Address = 02h) [reset = 0000h]

This register shows the current alert status of the TMP114.

Return to [Register Map](#).

**Figure 8-22. Alert\_Status Register**

15	14	13	12	11	10	9	8
<b>Reserved</b>							
R-00h							
7	6	5	4	3	2	1	0
CRC_Flag	Slew_Status	Slew_Flag	THigh_Status	TLow_Status	THigh_Flag	TLow_Flag	Data_Ready_Flag
RC-0h	R-0h	RC-0h	R-0h	R-0h	RC-0h	RC-0h	RC-0h

**Table 8-8. Alert\_Status Register Field Descriptions**

Bit	Field	Type	Reset	Description
15:8	Reserved	R	00h	Reserved
7	CRC_Flag	RC	0h	CRC checksum error flag indicator. This indicates that the write transaction CRC checksum failed and the register settings were discarded 0h = The most recent CRC enabled write transaction was successful 1h = The most recent CRC enabled write transaction failed
6	Slew_Status	R	0h	Slew status indicator. This bit is set if there is a positive slew rate exceeding the Slew_Rate_Limit. 0h = The most recent temperature conversion result is below the Slew_Rate_Limit 1h = The most recent temperature conversion result is above the Slew_Rate_Limit
5	Slew_Flag	RC	0h	Slew rate flag indicator. This indicates that the temperature slew rate crossed the slew rate limit threshold. Reading the Alert_Status register will clear this bit 0h = The most recent temperature conversion has not crossed the Slew_Rate_Limit threshold 1h = A temperature conversion has crossed the Slew_Rate_Limit threshold
4	THigh_Status	R	0h	High temperature status indicator. 0h: The most recent temperature conversion result is below the THigh_Limit 1h: The most recent temperature conversion is above the THigh_Limit. Once set, this bit will not clear until a temperature conversion is below THigh_Limit - THigh_Hyst
3	TLow_Status	R	0h	Low temperature status indicator. 0h: The most recent temperature conversion result is above the TLow_Limit 1h: The most recent temperature conversion is below the THigh_Limit. Once set, this bit will not clear until a temperature conversion is above TLow_Limit + TLow_Hyst

**Table 8-8. Alert\_Status Register Field Descriptions (continued)**

Bit	Field	Type	Reset	Description
2	THigh_Flag	RC	0h	High temperature flag indicator. This indicates that the latest temperature conversion has cross above the THigh_Limit register threshold or crossed below the THigh_Limit - THigh_Hyst threshold. Reading Alert_Status register will clear this bit. 0h = The most recent temperature conversion has not crossed the THigh_Limit or the hysteresis threshold. 1h: A temperature conversion crossed the THigh_Limit or crossed below the THigh_Limit - THigh_Hyst threshold. Once the THigh_Flag is set, THigh_Flag will not be set again until a temperature conversion is below THigh_Limit - THigh_Hyst
1	TLow_Flag	RC	0h	Low temperature flag indicator. This indicates that the latest temperature conversion has cross below the TLow_Limit register threshold or crossed above the TLow_Limit + TLow_Hyst threshold. Reading Alert_Status register will clear this bit. 0h = The most recent temperature conversion has not crossed the TLow_Limit or the hysteresis threshold. 1h: A temperature conversion crossed below the TLow_Limit. Once the TLow_Flag is set, TLow_Flag will not be set again until temperature conversion is above TLow_Limit + TLow_Hyst
0	Data_Ready_Flag	RC	0h	Data Ready flag indicator. This indicates a new temperature conversion result is available. This bit is only cleared by reading the Alert_Status register . 0h = Data_Ready_Flag has been cleared since the last temperature conversion 1h = Data in Temp_Result is new

**8.6.4 Configuration Register (Address = 03h) [reset = 0004h]**

This register is used to configuration the operation of the TMP114.

Return to [Register Map](#).

**Figure 8-23. Configuration Register**

15	14	13	12	11	10	9	8
Reserved						ADC_Conv_Time[1:0]	Reset
R-00h						RW-0h	R/W-0h
7	6	5	4	3	2	1	0
AVG	CRC_En	Reserved	OS	Mode	Conv_Period[2:0]		
R/W-0h	R/W-0h	R-0h	R/W-0h	R/W-0h	R/W-4h		

**Table 8-9. Configuration Register Field Descriptions**

Bit	Field	Type	Reset	Description
15:8	Reserved	R	00h	Reserved
10:9	ADC_Conv_Time[1:0]	R/W	0h	ADC Conversion Time setting. This bit field changes the ADC conversion time and resolution of the TMP114. If the averaging time is longer than the conversion period setting the minimum cycle time will be the averaging time. 0h = 6.4 ms 1h = 3.5 ms 2h = 2.0 ms 3h = 1.2 ms



**Table 8-9. Configuration Register Field Descriptions (continued)**

Bit	Field	Type	Reset	Description
8	Reset	R/W	0h	Software reset bit. When set to 1 it triggers software reset with a duration of 1 ms. This bit will always read back 0
7	AVG	R/W	0h	Averaging enable bit. Averaging will force every measurement including one-shot measurements to be averaged with eight conversions. 0h: Averaging is disabled 1h: Averaging is enabled
6	CRC_En	R/W	0h	CRC enable. Enables the CRC feature for the next transaction after a stop command is received. 0h = CRC is disabled 1h = CRC is enabled
5	Reserved	R	0h	Reserved
4	OS	R/W	0h	One-shot conversion trigger. After completing the one-shot conversion this bit is reset to 0h. Triggering a one-shot conversion will place the TMP114 into shutdown mode. 0h = Default 1h = Trigger a one-shot conversion
3	Mode	R/W	0h	Conversion mode selection bit. 0h = Continuous conversion mode 1h = Shutdown mode
2:0	Conv_Period[2:0]	R/W	4h	Conversion period setting. This bit field changes the conversion period of the TMP114. If the averaging time is longer than the conversion period setting the minimum conversion time will be the averaging time. 0h = 6.4 ms 1h = 31.25 ms / 32 Hz 2h = 62.5 ms / 16 Hz 3h = 125 ms / 8 Hz 4h = 250 ms / 4 Hz 5h = 500 ms / 2 Hz 6h = 1 s / 1 Hz 7h = 2 s / 0.5 Hz

### 8.6.5 TLow\_Limit Register (Address = 04h) [reset = F380h]

This register is used to configuration the low temperature limit of the TMP114. The limit is formatted in a 14-bit two's complement format with a LSB (Least Significant Bit) equal to 0.03125°C. The range of the register is ±256°C. The default value on start-up is F380h or -25°C. If the THigh\_Limit register is equal to or less than the TLow\_Limit register the temperature limits will be ignored.

Return to [Register Map](#).

**Figure 8-24. TLow\_Limit Register**

15	14	13	12	11	10	9	8
TLow_Limit[13:6]							
R/W-F3h							
7	6	5	4	3	2	1	0
TLow_Limit[5:0]						<b>Reserved</b>	
R/W-20h						R-0h	

**Table 8-10. TLow\_Limit Register Field Descriptions**

Bit	Field	Type	Reset	Description
15:2	TLow_Limit[13:0]	R/W	3CE0h	14-bit temperature low limit setting. Temperature low limit is represented by a 14-bit, two's complement word with an LSB (Least Significant Bit) equal to 0.03125°C. The default setting for this is -25°C.
1:0	Reserved	R	0h	These two bits will always read 0h

### 8.6.6 THigh\_Limit Register (Address = 05h) [reset = 2A80h]

This register is used to configuration the high temperature limit of the TMP114. The limit is formatted in a 14-bit two's complement format with a LSB (Least Significant Bit) equal to 0.03125°C. The range of the register is ±256 °C. The default value on start-up is 2A80h or 85°C. If the THigh\_Limit register is equal to or less than the TLow\_Limit register the temperature limits will be ignored.

Return to [Register Map](#).

**Figure 8-25. THigh\_Limit Register**

15	14	13	12	11	10	9	8
THigh_Limit[13:6]							
R/W-2Ah							
7	6	5	4	3	2	1	0
THigh_Limit[5:0]						<b>Reserved</b>	
R/W-20h						R-0h	

**Table 8-11. THigh\_Limit Register Field Descriptions**

Bit	Field	Type	Reset	Description
15:2	THigh_Limit[13:0]	R/W	0AA0h	14-bit temperature high limit setting. Temperature high limit is represented by a 14-bit, two's complement word with an LSB (Least Significant Bit) equal to 0.03125°C.
1:0	Reserved	R	0h	These two bits will always read 0h

### 8.6.7 Hysteresis Register (Address = 06h) [reset = 0A0Ah]

This register sets the hysteresis for the THigh\_Limit threshold and the TLow\_Limit threshold. The default hysteresis value for both the high and low limits is equal to 5°C.

The Hysteresis is in a 8-bit unsigned format with the LSB equal to 0.5°C. This gives a maximum value of 127.5°C of hysteresis.

Return to [Register Map](#).

**Figure 8-26. Hysteresis Register**

15	14	13	12	11	10	9	8
THigh_Hyst[7:0]							
R/W-0Ah							
7	6	5	4	3	2	1	0
TLow_Hyst[7:0]							
R/W-0Ah							

**Table 8-12. Hysteresis Register Field Descriptions**

Bit	Field	Type	Reset	Description
15:8	THigh_Hyst[7:0]	R/W	0Ah	THigh_Limit Hysteresis setting. Hysteresis value is represented by a unsigned byte with the LSB equal to 0.5°C. The High temperature limit hysteresis threshold is equal to (THigh_Limit - THigh_Hyst). The default hysteresis value is 5 °C.
7:0	TLow_Hyst[7:0]	R/W	0Ah	TLow_Limit Hysteresis setting. Hysteresis value is represented by a unsigned byte with the LSB equal to 0.5°C. The Low temperature limit hysteresis threshold is equal to (TLow_Limit + TLow_Hyst). The default hysteresis value is 5 °C.

### 8.6.8 Slew\_Limit Register (Address = 07h) [reset = 0500h]

This register is used to configure the temperature slew rate limit of the TMP126. The limit is formatted in a 13-bit unsigned format with the LSB (Least Significant Bit) equal to 0.03125°C/s. The range of the register is 0°C/s to +256°C/s. The default value of Slew\_Limit[12:6] on start-up is 0140h or 10 °C/s. The slew rate limit will trigger a slew rate alert on positive slew rates that are greater than the limit.

Return to [Register Map](#).

**Figure 8-27. Slew\_Limit Register**

15	14	13	12	11	10	9	8
<b>Reserved</b>		Slew_Limit[12:6]					
R-0h		R/W-05h					
7	6	5	4	3	2	1	0
Slew_Limit[5:0]						<b>Reserved</b>	
R/W-00h						R-0h	

**Table 8-13. Slew\_Limit Register Field Descriptions**

Bit	Field	Type	Reset	Description
15	Reserved	R	0h	This bits will always read 0h
14:2	Slew_Limit[13:0]	R/W	0140h	13-bit temperature slew rate limit setting. Temperature low limit is represented by a 13-bit unsigned word with a LSB (Least Significant Bit) equal to 0.03125°C/s. The default setting for this is 10°C/s.
1:0	Reserved	R	0h	These two bits will always read 0h

### 8.6.9 Unique\_ID1 Register (Address = 08h) [reset = xxxh]

This register contains bits 47:32 of the Unique ID for the device. The Unique ID of the device is used for NIST traceability purposes.

Return to [Register Map](#).

**Figure 8-28. Unique\_ID1 Register**

15	14	13	12	11	10	9	8
Unique_ID[47:40]							
R-xxh							
7	6	5	4	3	2	1	0
Unique_ID[39:32]							
R-xxh							

**Table 8-14. Unique\_ID Register Field Descriptions**

Bit	Field	Type	Reset	Description
15:0	Unique_ID[47:32]	R	xxxh	Bits 47:32 of the device Unique ID

### 8.6.10 Unique\_ID2 Register (Address = 09h) [reset = xxxh]

This register contains bits 31:16 of the Unique ID for the device.

Return to [Register Map](#).

**Figure 8-29. Unique\_ID2 Register**

15	14	13	12	11	10	9	8
Unique_ID[31:24]							
R-xxh							
7	6	5	4	3	2	1	0
Unique_ID[23:16]							
R-xxh							

**Table 8-15. Unique\_ID2 Register Field Descriptions**

Bit	Field	Type	Reset	Description
15:0	Unique_ID[31:16]	R	xxxh	Bits 31:16 of the device Unique ID

### 8.6.11 Unique\_ID3 Register (Address = 0Ah) [reset = xxxh]

This register contains bits 15:0 of the Unique ID for the device.

Return to [Register Map](#).

**Figure 8-30. Unique\_ID3 Register**

15	14	13	12	11	10	9	8
Unique_ID[15:8]							
R-xxh							
7	6	5	4	3	2	1	0
Unique_ID[7:0]							
R-xxh							

**Table 8-16. Unique\_ID3 Register Field Descriptions**

Bit	Field	Type	Reset	Description
15:0	Unique_ID[15:0]	R	xxxh	Bits 15:0 of the device Unique ID.

### 8.6.12 Device\_ID Register (Address = 0Bh) [reset = 1114h]

This register indicates the device ID.

Return to [Register Map](#).

**Figure 8-31. Device\_ID Register**

15	14	13	12	11	10	9	8
Rev[3:0]				ID[11:8]			
R-1h				R-1h			
7	6	5	4	3	2	1	0
ID[7:0]							
R-14h							

**Table 8-17. Device\_ID Register Field Descriptions**

Bit	Field	Type	Reset	Description
15:12	Rev[3:0]	R	1h	Device revision indicator.
11:0	ID[11:0]	R	114h	Device ID indicator.

## 9 Application and Implementation

### Note

Information in the following applications sections is not part of the TI component specification, and TI does not warrant its accuracy or completeness. TI's customers are responsible for determining suitability of components for their purposes, as well as validating and testing their design implementation to confirm system functionality.

### 9.1 Application Information

The TMP114 can be operated with a two-wire I<sup>2</sup>C or SMBus compatible interface and features the ability to operate with a 1.2-V bus voltage regardless of the VDD voltage. The TMP114 features a uniquely small z-height of 0.15 mm designed for low clearance and space-constrained applications.

The device also features an integrated optional CRC checksum for ensuring data integrity during communication.

### 9.2 Separate I<sup>2</sup>C Pullup and Supply Application

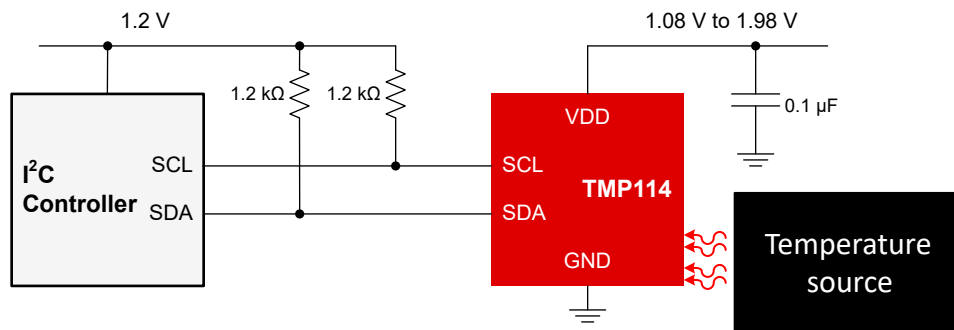


Figure 9-1. Separate I<sup>2</sup>C Pullup and Supply Voltage Application

#### 9.2.1 Design Requirements

For this design example, use the parameters listed below.

Table 9-1. Design Parameters

Parameter	Value
Supply ( $V_{DD}$ )	1.08 V to 1.98 V
SDA, SCL $V_{PULLUP}$	1.2 V
SDA, SCL $R_{PULLUP}$	1.2 kΩ

#### 9.2.2 Detailed Design Procedure

The TMP114 will convert temperature at a default 250 ms interval with an adjustable conversion period between 6.4 ms and 2 s. The SDA and SCL pin voltage of the TMP114 can be at a higher voltage than the VDD pin voltage, removing the need for power sequencing when using the TMP114.

The TMP114 comes in an ultra-small body and z-height package the user can place as close to temperature sources as possible for better thermal coupling.

### 9.2.3 Application Curves

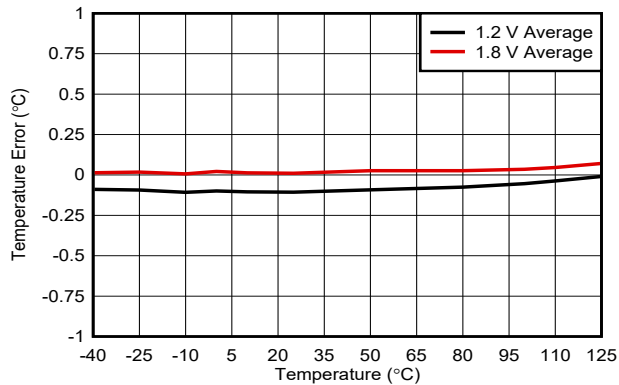


Figure 9-2. Average Temperature Accuracy

### 9.3 Equal I<sup>2</sup>C Pullup and Supply Voltage Application

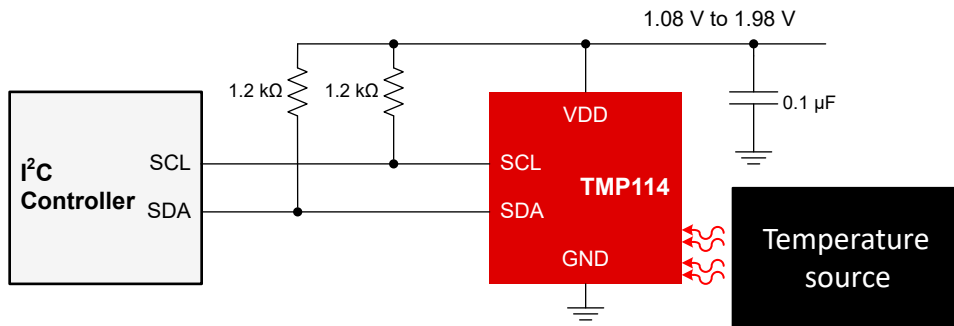


Figure 9-3. Equal I<sup>2</sup>C Pullup and Supply Voltage Application

#### 9.3.1 Design Requirements

For this design example, use the parameters listed below.

Table 9-2. Design Parameters

Parameter	Value
Supply (V <sub>DD</sub> )	1.08 V to 1.98 V
SDA, SCL V <sub>PULLUP</sub>	V <sub>DD</sub>
SDA, SCL R <sub>PULLUP</sub>	1.2 kΩ

#### 9.3.2 Detailed Design Procedure

The SDA and SCL pin voltage of the TMP114 can be the same as the supply voltage V<sub>DD</sub>. The accuracy of the TMP114 is not affected by the pullup voltage.

### 9.4 Power Supply Recommendations

The TMP114 operates with power supply in the range of 1.08 V to 1.98 V. The device can measure temperature accurately in the full supply range. A power-supply bypass capacitor is required for proper operation. Place this capacitor as close as possible to the supply and ground pins of the device. A typical value for this supply bypass capacitor is 0.1 μF. Applications with noisy or high-impedance power supplies may require additional decoupling capacitors to reject power-supply noise.

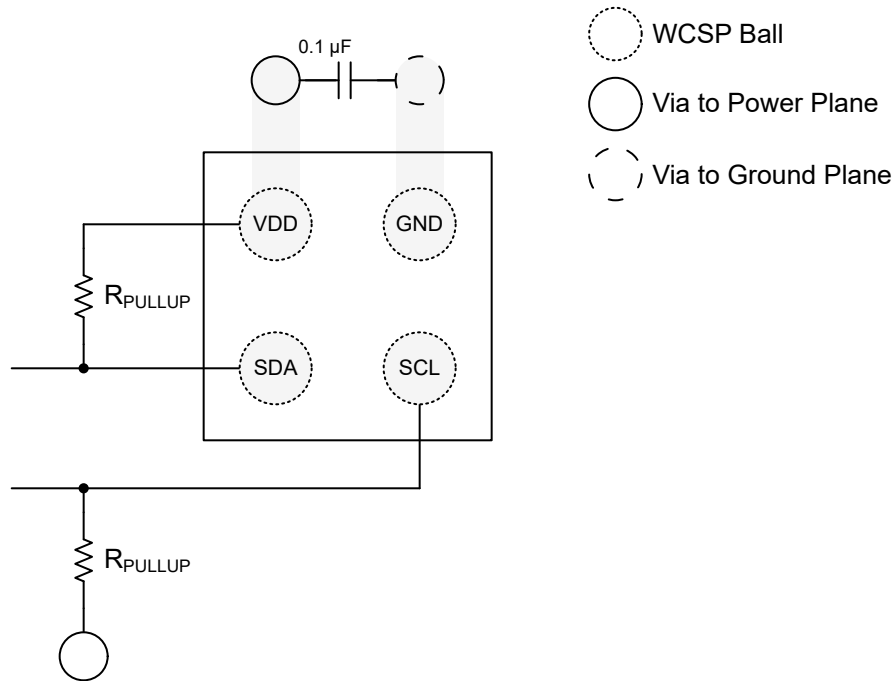


## 9.5 Layout

### 9.5.1 Layout Guidelines

The TMP114 is a simple device to layout. Place the power supply bypass capacitor as close to the device as possible, and connect the capacitor as shown in [Figure 9-4](#). Pull up the open-drain output pin SDA and the I<sup>2</sup>C clock SCL through R<sub>PULLUP</sub> pullup resistors.

### 9.5.2 Layout Example



**Figure 9-4. Layout Recommendation (Top View)**

## 10 Device and Documentation Support

### 10.1 Receiving Notification of Documentation Updates

To receive notification of documentation updates, navigate to the device product folder on [ti.com](http://ti.com). Click on *Subscribe to updates* to register and receive a weekly digest of any product information that has changed. For change details, review the revision history included in any revised document.

### 10.2 Support Resources

TI E2E™ [support forums](#) are an engineer's go-to source for fast, verified answers and design help — straight from the experts. Search existing answers or ask your own question to get the quick design help you need.

Linked content is provided "AS IS" by the respective contributors. They do not constitute TI specifications and do not necessarily reflect TI's views; see TI's [Terms of Use](#).

### 10.3 Trademarks

PicoStar™ and TI E2E™ are trademarks of Texas Instruments.  
All trademarks are the property of their respective owners.

### 10.4 Electrostatic Discharge Caution



This integrated circuit can be damaged by ESD. Texas Instruments recommends that all integrated circuits be handled with appropriate precautions. Failure to observe proper handling and installation procedures can cause damage.

ESD damage can range from subtle performance degradation to complete device failure. Precision integrated circuits may be more susceptible to damage because very small parametric changes could cause the device not to meet its published specifications.

### 10.5 Glossary

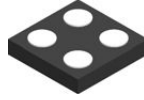
[TI Glossary](#) This glossary lists and explains terms, acronyms, and definitions.

## 11 Mechanical, Packaging, and Orderable Information

The following pages include mechanical, packaging, and orderable information. This information is the most current data available for the designated devices. This data is subject to change without notice and revision of this document. For browser-based versions of this data sheet, refer to the left-hand navigation.

**Table 11-1. YMT Package D and E Dimensions**

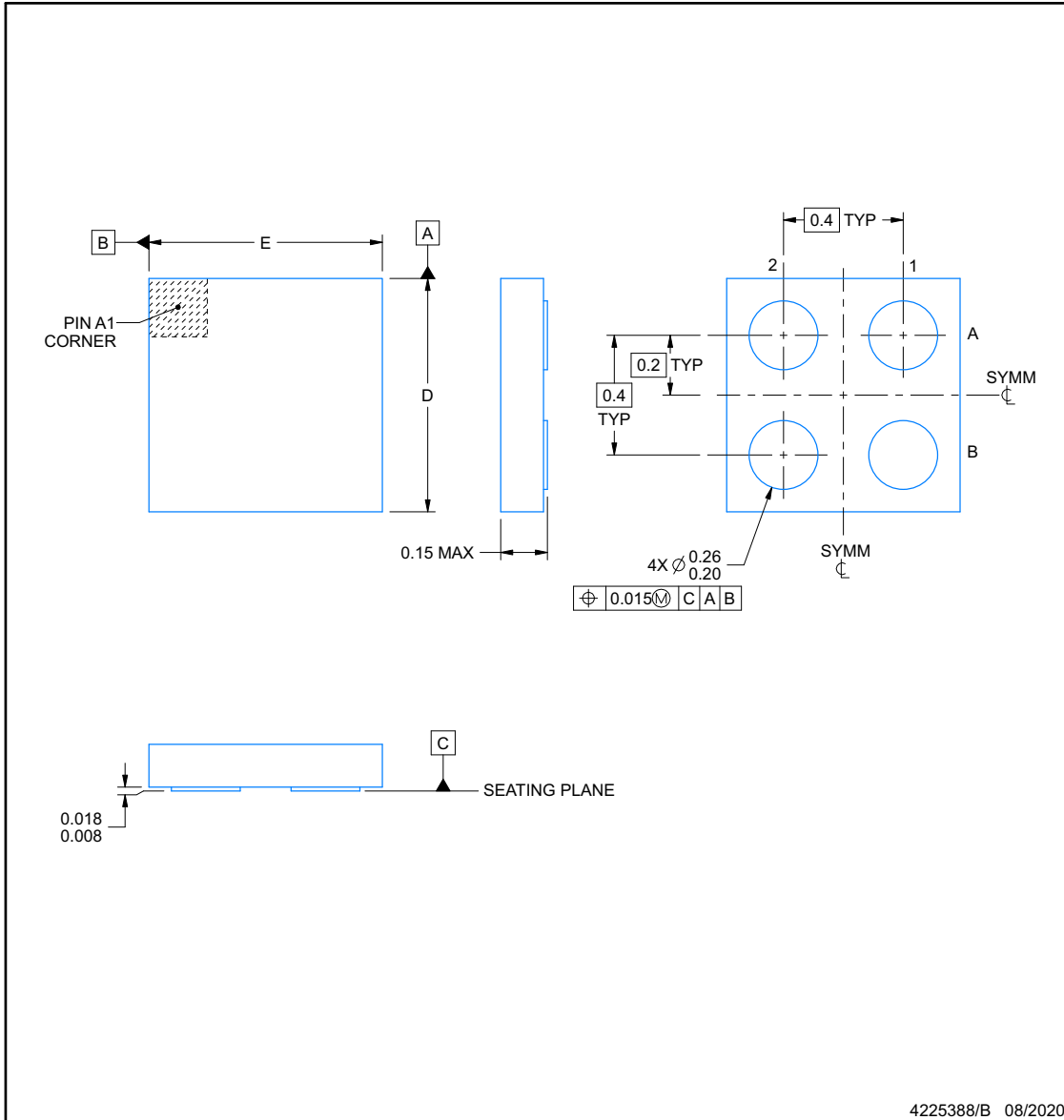
	MIN	NOM	MAX
D	0.750 mm	0.758 mm	0.766 mm
E	0.750 mm	0.758 mm	0.766 mm
C (Seating Plane)			20 μm



**YMT0004**

**PACKAGE OUTLINE**  
**PicoStar™ - 0.15 mm max height**

PicoStar



NOTES:

PicoStar is a trademark of Texas Instruments.

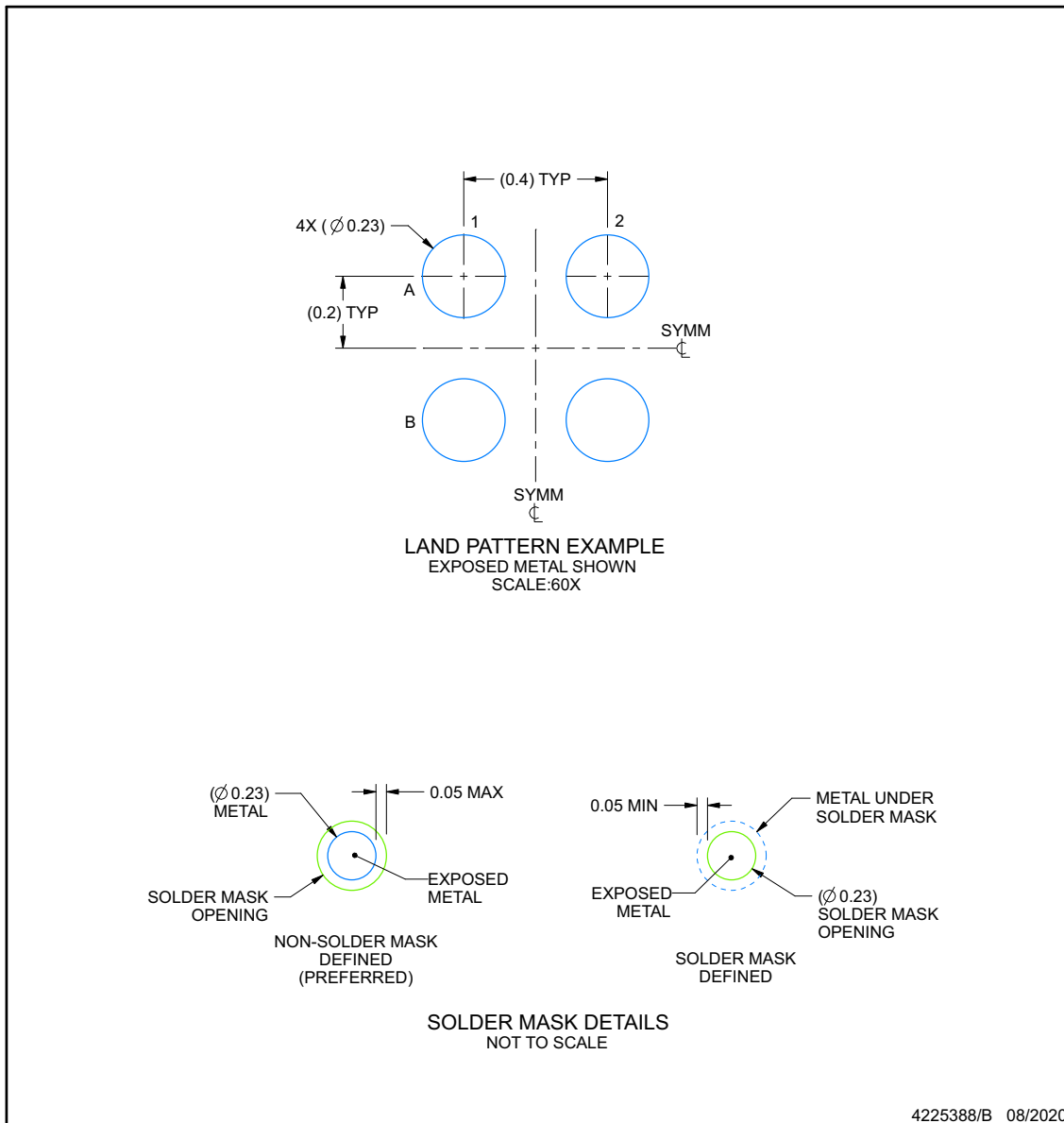
1. All linear dimensions are in millimeters. Any dimensions in parenthesis are for reference only. Dimensioning and tolerancing per ASME Y14.5M.
2. This drawing is subject to change without notice.

## EXAMPLE BOARD LAYOUT

**YMT0004**

**PicoStar™ - 0.15 mm max height**

PicoStar



NOTES: (continued)

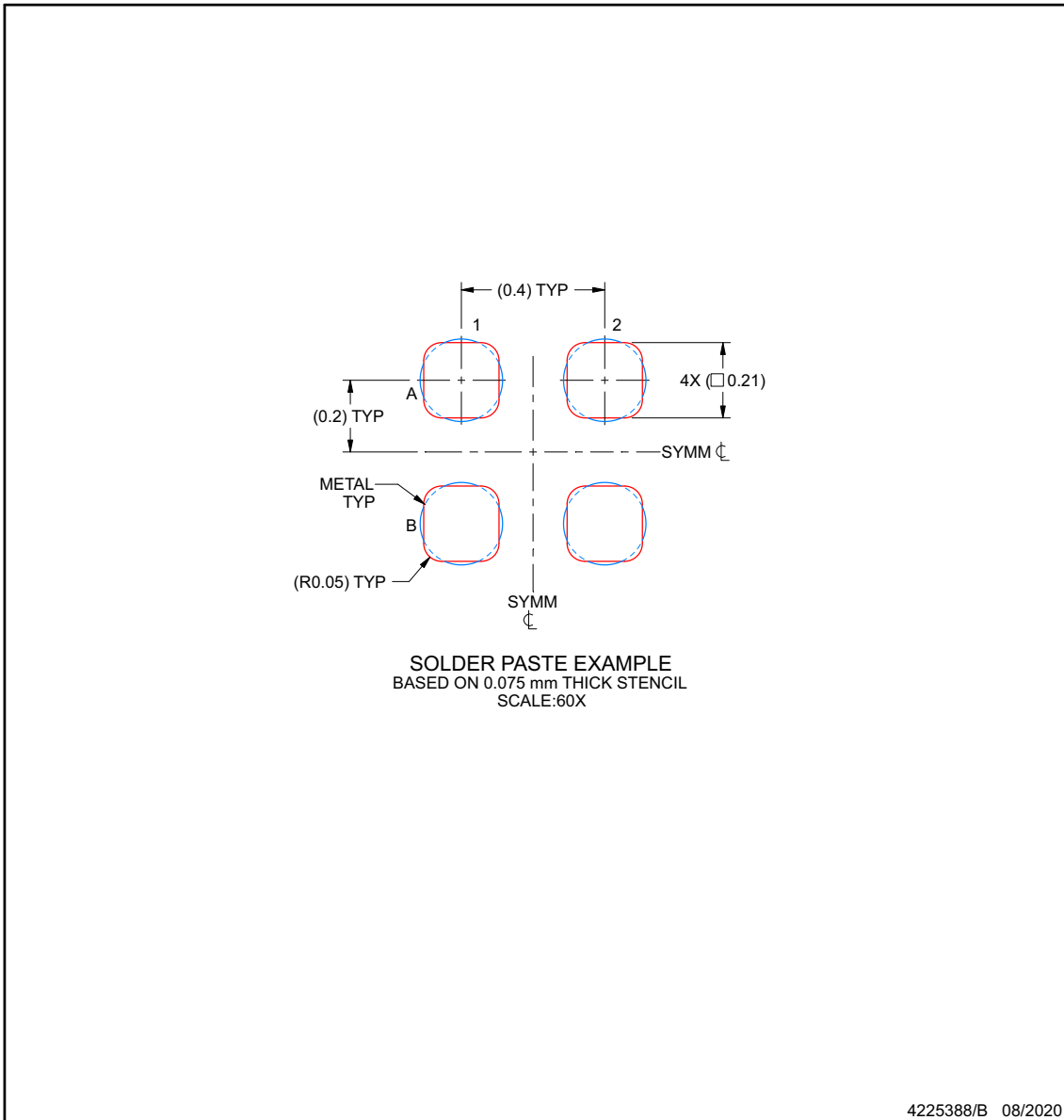
- Final dimensions may vary due to manufacturing tolerance considerations and also routing constraints. For more information, see Texas Instruments literature number SLUA271 ([www.ti.com/lit/slua271](http://www.ti.com/lit/slua271)).

## EXAMPLE STENCIL DESIGN

**YMT0004**

**PicoStar™ - 0.15 mm max height**

PicoStar



NOTES: (continued)

4. Laser cutting apertures with trapezoidal walls and rounded corners may offer better paste release.

**PACKAGING INFORMATION**

Orderable Device	Status (1)	Package Type	Package Drawing	Pins	Package Qty	Eco Plan (2)	Lead finish/ Ball material (6)	MSL Peak Temp (3)	Op Temp (°C)	Device Marking (4/5)	Samples
TMP114AIYMTR	ACTIVE	PICOSTAR	YMT	4	3000	RoHS & Green	CUNIPD	Level-1-260C-UNLIM	-40 to 125		Samples
TMP114BIYMTR	ACTIVE	PICOSTAR	YMT	4	3000	RoHS & Green	CUNIPD	Level-1-260C-UNLIM	-40 to 125	YS	Samples
TMP114CIYMTR	ACTIVE	PICOSTAR	YMT	4	3000	RoHS & Green	CUNIPD	Level-1-260C-UNLIM	-40 to 125	YS	Samples
TMP114DIYMTR	ACTIVE	PICOSTAR	YMT	4	3000	RoHS & Green	CUNIPD	Level-1-260C-UNLIM	-40 to 125	YS	Samples
TMP114NAIYMTR	ACTIVE	PICOSTAR	YMT	4	3000	RoHS & Green	CUNIPD	Level-1-260C-UNLIM	-40 to 125	YS	Samples
TMP114NBIYMTR	ACTIVE	PICOSTAR	YMT	4	3000	RoHS & Green	CUNIPD	Level-1-260C-UNLIM	-40 to 125	YS	Samples
TMP114NCIYMTR	ACTIVE	PICOSTAR	YMT	4	3000	RoHS & Green	CUNIPD	Level-1-260C-UNLIM	-40 to 125	YS	Samples
TMP114NDIYMTR	ACTIVE	PICOSTAR	YMT	4	3000	RoHS & Green	CUNIPD	Level-1-260C-UNLIM	-40 to 125	YS	Samples

(1) The marketing status values are defined as follows:

**ACTIVE:** Product device recommended for new designs.

**LIFEBUY:** TI has announced that the device will be discontinued, and a lifetime-buy period is in effect.

**NRND:** Not recommended for new designs. Device is in production to support existing customers, but TI does not recommend using this part in a new design.

**PREVIEW:** Device has been announced but is not in production. Samples may or may not be available.

**OBSELETE:** TI has discontinued the production of the device.

(2) **RoHS:** TI defines "RoHS" to mean semiconductor products that are compliant with the current EU RoHS requirements for all 10 RoHS substances, including the requirement that RoHS substance do not exceed 0.1% by weight in homogeneous materials. Where designed to be soldered at high temperatures, "RoHS" products are suitable for use in specified lead-free processes. TI may reference these types of products as "Pb-Free".

**RoHS Exempt:** TI defines "RoHS Exempt" to mean products that contain lead but are compliant with EU RoHS pursuant to a specific EU RoHS exemption.

**Green:** TI defines "Green" to mean the content of Chlorine (Cl) and Bromine (Br) based flame retardants meet JS709B low halogen requirements of <=1000ppm threshold. Antimony trioxide based flame retardants must also meet the <=1000ppm threshold requirement.

(3) MSL, Peak Temp. - The Moisture Sensitivity Level rating according to the JEDEC industry standard classifications, and peak solder temperature.

(4) There may be additional marking, which relates to the logo, the lot trace code information, or the environmental category on the device.

(5) Multiple Device Markings will be inside parentheses. Only one Device Marking contained in parentheses and separated by a "~" will appear on a device. If a line is indented then it is a continuation of the previous line and the two combined represent the entire Device Marking for that device.

<sup>(6)</sup> Lead finish/Ball material - Orderable Devices may have multiple material finish options. Finish options are separated by a vertical ruled line. Lead finish/Ball material values may wrap to two lines if the finish value exceeds the maximum column width.

**Important Information and Disclaimer:**The information provided on this page represents TI's knowledge and belief as of the date that it is provided. TI bases its knowledge and belief on information provided by third parties, and makes no representation or warranty as to the accuracy of such information. Efforts are underway to better integrate information from third parties. TI has taken and continues to take reasonable steps to provide representative and accurate information but may not have conducted destructive testing or chemical analysis on incoming materials and chemicals. TI and TI suppliers consider certain information to be proprietary, and thus CAS numbers and other limited information may not be available for release.

In no event shall TI's liability arising out of such information exceed the total purchase price of the TI part(s) at issue in this document sold by TI to Customer on an annual basis.

**TAPE AND REEL INFORMATION**

**QUADRANT ASSIGNMENTS FOR PIN 1 ORIENTATION IN TAPE**


\*All dimensions are nominal

Device	Package Type	Package Drawing	Pins	SPQ	Reel Diameter (mm)	Reel Width W1 (mm)	A0 (mm)	B0 (mm)	K0 (mm)	P1 (mm)	W (mm)	Pin1 Quadrant
TMP114AIYMTR	PICOSTAR	YMT	4	3000	180.0	8.4	0.85	0.85	0.23	2.0	8.0	Q1
TMP114BIYMTR	PICOSTAR	YMT	4	3000	180.0	8.4	0.85	0.85	0.23	2.0	8.0	Q1
TMP114CIYMTR	PICOSTAR	YMT	4	3000	180.0	8.4	0.85	0.85	0.23	2.0	8.0	Q1
TMP114DIYMTR	PICOSTAR	YMT	4	3000	180.0	8.4	0.85	0.85	0.23	2.0	8.0	Q1
TMP114NAIYMTR	PICOSTAR	YMT	4	3000	180.0	8.4	0.85	0.85	0.23	2.0	8.0	Q1
TMP114NBIYMTR	PICOSTAR	YMT	4	3000	180.0	8.4	0.85	0.85	0.23	2.0	8.0	Q1
TMP114NCIYMTR	PICOSTAR	YMT	4	3000	180.0	8.4	0.85	0.85	0.23	2.0	8.0	Q1
TMP114NDIYMTR	PICOSTAR	YMT	4	3000	180.0	8.4	0.85	0.85	0.23	2.0	8.0	Q1



**TAPE AND REEL BOX DIMENSIONS**


\*All dimensions are nominal

Device	Package Type	Package Drawing	Pins	SPQ	Length (mm)	Width (mm)	Height (mm)
TMP114AIYMTR	PICOSTAR	YMT	4	3000	182.0	182.0	20.0
TMP114BIYMTR	PICOSTAR	YMT	4	3000	182.0	182.0	20.0
TMP114CIYMTR	PICOSTAR	YMT	4	3000	182.0	182.0	20.0
TMP114DIYMTR	PICOSTAR	YMT	4	3000	182.0	182.0	20.0
TMP114NAIYMTR	PICOSTAR	YMT	4	3000	182.0	182.0	20.0
TMP114NBIYMTR	PICOSTAR	YMT	4	3000	182.0	182.0	20.0
TMP114NCIYMTR	PICOSTAR	YMT	4	3000	182.0	182.0	20.0
TMP114NDIYMTR	PICOSTAR	YMT	4	3000	182.0	182.0	20.0

## IMPORTANT NOTICE AND DISCLAIMER

TI PROVIDES TECHNICAL AND RELIABILITY DATA (INCLUDING DATA SHEETS), DESIGN RESOURCES (INCLUDING REFERENCE DESIGNS), APPLICATION OR OTHER DESIGN ADVICE, WEB TOOLS, SAFETY INFORMATION, AND OTHER RESOURCES "AS IS" AND WITH ALL FAULTS, AND DISCLAIMS ALL WARRANTIES, EXPRESS AND IMPLIED, INCLUDING WITHOUT LIMITATION ANY IMPLIED WARRANTIES OF MERCHANTABILITY, FITNESS FOR A PARTICULAR PURPOSE OR NON-INFRINGEMENT OF THIRD PARTY INTELLECTUAL PROPERTY RIGHTS.

These resources are intended for skilled developers designing with TI products. You are solely responsible for (1) selecting the appropriate TI products for your application, (2) designing, validating and testing your application, and (3) ensuring your application meets applicable standards, and any other safety, security, regulatory or other requirements.

These resources are subject to change without notice. TI grants you permission to use these resources only for development of an application that uses the TI products described in the resource. Other reproduction and display of these resources is prohibited. No license is granted to any other TI intellectual property right or to any third party intellectual property right. TI disclaims responsibility for, and you will fully indemnify TI and its representatives against, any claims, damages, costs, losses, and liabilities arising out of your use of these resources.

TI's products are provided subject to [TI's Terms of Sale](#) or other applicable terms available either on [ti.com](https://www.ti.com) or provided in conjunction with such TI products. TI's provision of these resources does not expand or otherwise alter TI's applicable warranties or warranty disclaimers for TI products.

TI objects to and rejects any additional or different terms you may have proposed.

Mailing Address: Texas Instruments, Post Office Box 655303, Dallas, Texas 75265  
Copyright © 2024, Texas Instruments Incorporated