

TPSM84209 4.5-V to 28-V Input, 1.2-V to 6-V Output, 2.5-A Power Module

1 Features

- Complete Integrated Power Solution Allows Small Footprint, Low-Profile Design
- 4.5-mm × 4-mm × 2-mm QFN Package
- Wide-Output Voltage Range (1.2 V to 6 V)
- Fixed Switching Frequency (750 kHz)
- Advanced Eco-mode™ for Light Load Efficiency
- Programmable Undervoltage Lockout (UVLO)
- Overtemperature Thermal Shutdown Protection
- Overcurrent Protection (Hiccup Mode)
- Safe Prebias Output Start-Up
- Operating IC Junction Range: -40°C to $+125^{\circ}\text{C}$
- Operating Ambient Range: -40°C to $+85^{\circ}\text{C}$
- Enhanced Thermal Performance: 29.5°C/W
- Meets EN55011 Radiated EMI Standards – Integrated Shielded Inductor
- Create a Custom Design Using the TPSM84209 With the [WEBENCH® Power Designer](#)

2 Applications

- Industrial and Motor Controls
- Automated Test Equipment
- Medical and Imaging Equipment
- High-Density Power Systems

3 Description

The TPSM84209 power module is an easy-to-use integrated power supply that combines a 2.5-A DC/DC converter with a shielded inductor and passives into a low-profile QFN package. This total power solution allows as few as four external components while maintaining an ability to adjust key parameters to meet specific design requirements.

The wide input voltage range and small package size of the TPSM84209 makes the device an excellent fit for power rails that require up to 2.5 A of output current.

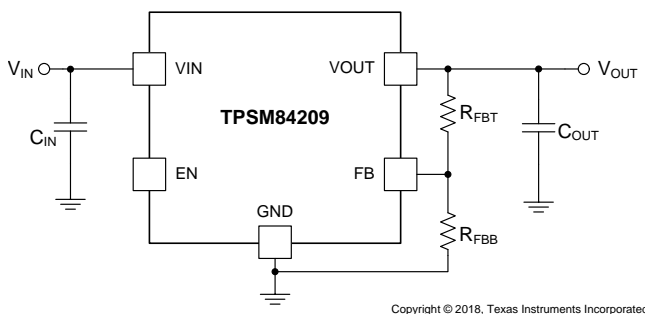
The QFN package is easy to solder to a printed circuit board and has excellent power dissipation capability. The TPSM84209 offers flexibility with many features and is ideal for powering a wide range of devices and systems.

Device Information⁽¹⁾

DEVICE NUMBER	PACKAGE	BODY SIZE
TPSM84209H	QFN (9)	4.50 mm × 4.00 mm

(1) For all available packages, see the orderable addendum at the end of the data sheet.

Simplified Application



Efficiency vs Output Current

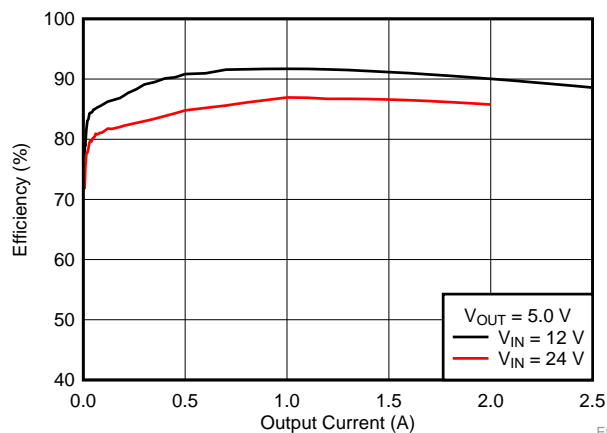


Table of Contents

1 Features	1	8 Application and Implementation	21
2 Applications	1	8.1 Application Information.....	21
3 Description	1	8.2 Typical Application	21
4 Revision History	2	9 Power Supply Recommendations	23
5 Pin Configuration and Functions	3	10 Layout	24
6 Specifications	4	10.1 Layout Guidelines	24
6.1 Absolute Maximum Ratings	4	10.2 Layout Examples.....	24
6.2 ESD Ratings.....	4	10.3 EMI.....	25
6.3 Recommended Operating Conditions.....	4	10.4 Package Specifications	26
6.4 Thermal Information	5	11 Device and Documentation Support	27
6.5 Electrical Characteristics.....	5	11.1 Device Support	27
6.6 Typical Characteristics ($V_{IN} = 5\text{ V}$).....	7	11.2 Custom Design With WEBENCH® Tools	27
6.7 Typical Characteristics ($V_{IN} = 12\text{ V}$).....	8	11.3 Receiving Notification of Documentation Updates	27
6.8 Typical Characteristics ($V_{IN} = 24\text{ V}$).....	9	11.4 Community Resources.....	27
7 Detailed Description	10	11.5 Trademarks	27
7.1 Overview	10	11.6 Electrostatic Discharge Caution.....	27
7.2 Functional Block Diagram	10	11.7 Glossary	28
7.3 Feature Description.....	11	12 Mechanical, Packaging, and Orderable Information	28
7.4 Device Functional Modes.....	20	12.1 Tape and Reel Information	32

4 Revision History

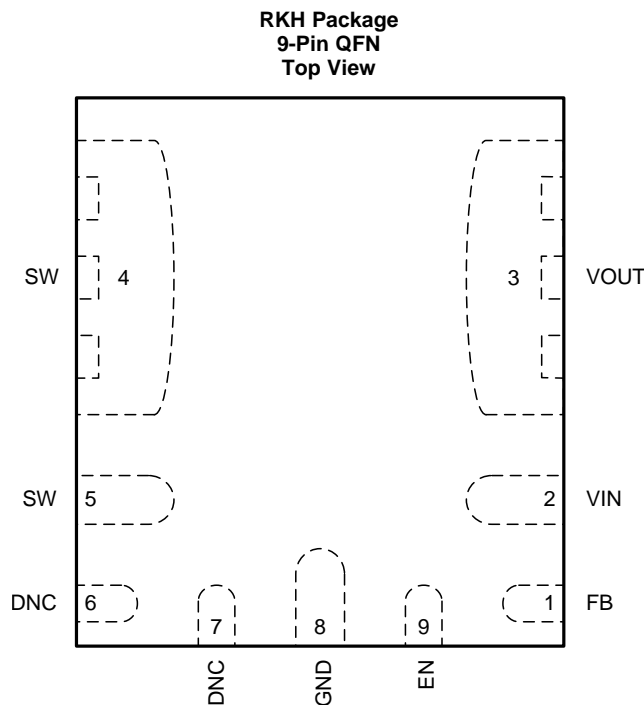
NOTE: Page numbers for previous revisions may differ from page numbers in the current version.

Changes from Revision B (June 2018) to Revision C	Page
• Changed Package column in from "B3QFN (43)" to "QFN (9)" to correct error.....	1
• Changed "RVQ Package" to "RKH Package", "43-pin B3QFN" to "9-Pin QFN"	3

Changes from Revision A (April 2018) to Revision B	Page
• Changed Min Storage temperature to -55°C.....	4

Changes from Original (January 2018) to Revision A	Page
• First release of production-data data sheet	1

5 Pin Configuration and Functions



Pin Functions

PIN		TYPE ⁽¹⁾	DESCRIPTION
NAME	NO.		
DNC	6, 7	—	Do Not Connect. Do not connect these pins to GND or to any other voltage. These pins are connected to internal circuitry. Each pin must be soldered to an isolated pad.
EN	9	I	Enable pin. An open drain/collector device can be used to control the EN function. The module is disabled when this pin is pulled low. This pin can also be connected to an external resistor divider connected between VIN and GND to adjust the UVLO above the internal default setting. Float this pin when not used.
FB	1	I	Feedback input. To adjust the output voltage connect this pin to the center point of an external resistor divider connected between VOUT and GND.
GND	8	G	Ground pin. This is the return current path for the device. Connect this pin to the input source return, the load return, and to the ground side of the VIN and VOUT bypass capacitors using power ground planes on the PCB.
SW	4, 5	O	Switch node. These pins are connected to the input side of the internal output inductor. Do not place any external components on these pins or tie them to a pin of another function.
VIN	2	I	Input voltage. Connect this pin to the input source and connect external bypass capacitors between this pin and GND, close to the module.
VOUT	3	O	Output voltage. This pin is connected to the internal output inductor. Connect this pin to the output load and connect external bypass capacitors between this pin and GND close to the module.

(1) G = Ground, I = Input, O = Output

6 Specifications

6.1 Absolute Maximum Ratings

Over operating ambient temperature range (unless otherwise noted)⁽¹⁾

		MIN	MAX	UNIT
Input voltage	V _{IN}	-0.3	30	V
	EN, FB	-0.3	7	V
Output voltage	SW	-0.3	30	V
	SW (20 ns transient)	-5	30	V
	V _{OUT}	-0.3	7	V
Mechanical shock	Mil-STD-883D, Method 2002.3, 1 msec, 1/2 sine, mounted		1500	G
Mechanical vibration	Mil-STD-883D, Method 2007.2, 20 to 2000 Hz		20	G
Operating IC junction temperature, T _J ⁽²⁾		-40	125	°C
Operating ambient temperature, T _A ⁽²⁾		-40	85	°C
Storage temperature, T _{stg}		-55	150	°C

- (1) Stresses beyond those listed under *Absolute Maximum Ratings* may cause permanent damage to the device. These are stress ratings only, which do not imply functional operation of the device at these or any other conditions beyond those indicated under the recommended operating conditions is not implied. Exposure to absolute-maximum-rated conditions for extended periods may affect device reliability.
- (2) The ambient temperature is the air temperature of the surrounding environment. The junction temperature is the temperature of the internal power IC when the device is powered. Operating below the maximum ambient temperature, as shown in the safe operating area (SOA) curves in the typical characteristics sections, ensures that the maximum junction temperature of any component inside the module is never exceeded.

6.2 ESD Ratings

		VALUE	UNIT
V _(ESD) Electrostatic discharge	Human-body model (HBM), per ANSI/ESDA/JEDEC JS-001 ⁽¹⁾	±2500	V
	Charged-device model (CDM), per JEDEC specification JESD22-C101 ⁽²⁾	±1000	

- (1) JEDEC document JEP155 states that 500-V HBM allows safe manufacturing with a standard ESD control process.
- (2) JEDEC document JEP157 states that 250-V CDM allows safe manufacturing with a standard ESD control process.

6.3 Recommended Operating Conditions

Over operating ambient temperature range (unless otherwise noted)

	MIN	MAX	UNIT
Input voltage, V _{IN}	4.5 ⁽¹⁾	28 ⁽²⁾	V
Output voltage, V _{OUT}	1.2	6	V
EN voltage, V _{EN}	0	6	V
Output current, I _{OUT}	0	2.5 ⁽³⁾	A
Operating ambient temperature, T _A	-40	85	°C
Operating IC junction temperature, T _J	-40	125	

- (1) The minimum recommended input voltage is 4.5 V or (V_{OUT} × 1.3), whichever is greater.
- (2) The maximum input voltage varies depending on the output voltage (see [Operating Range](#)).
- (3) The maximum output current that the TPSM84209 can deliver is a function of input voltage, output voltage, and ambient temperature (see [Output Current Rating](#)).

6.4 Thermal Information

THERMAL METRIC ⁽¹⁾		TPSM84209	
		RKH (QFN)	
		9 PINS	
Symbol	Description	Value	UNIT
$R_{\theta JA}$	Junction-to-ambient thermal resistance ⁽²⁾	32.7	°C/W
Ψ_{JT}	Junction-to-top characterization parameter ⁽³⁾	2.2	°C/W
Ψ_{JB}	Junction-to-board characterization parameter ⁽⁴⁾	17	°C/W

- (1) For more information about traditional and new thermal metrics, see the *Semiconductor and IC Package Thermal Metrics* application report, [SPRA953](#).
- (2) The junction-to-ambient thermal resistance, $R_{\theta JA}$, applies to devices soldered directly to a 63 mm x 50 mm, 4-layer PCB with 2 oz. copper and natural convection cooling. Additional airflow reduces $R_{\theta JA}$.
- (3) The junction-to-top characterization parameter, Ψ_{JT} , estimates the junction temperature, T_J , of a device in a real system, using a procedure described in JESD51-2A (section 6 and 7). $T_J = \Psi_{JT} \times P_{dis} + T_T$; where P_{dis} is the power dissipated in the device and T_T is the temperature of the top of the device.
- (4) The junction-to-board characterization parameter, Ψ_{JB} , estimates the junction temperature, T_J , of a device in a real system, using a procedure described in JESD51-2A (sections 6 and 7). $T_J = \Psi_{JB} \times P_{dis} + T_B$; where P_{dis} is the power dissipated in the device and T_B is the temperature of the board 1mm from the device.

6.5 Electrical Characteristics

Over -40°C to $+85^{\circ}\text{C}$ ambient temperature, $V_{IN} = 12\text{ V}$, $V_{OUT} = 3.3\text{ V}$, $I_{OUT} = 2.5\text{ A}$, (unless otherwise noted); $C_{IN1} = 10\text{-}\mu\text{F}$, 50-V, 1210 ceramic; $C_{IN2} = 100\text{-}\mu\text{F}$, 35-V, electrolytic; $C_{OUT} = 2 \times 47\text{-}\mu\text{F}$, 16-V, 1210 ceramic.

Minimum and maximum limits are specified through production test or by design. Typical values represent the expected value for the given test conditions and may or may not be production tested.

PARAMETER		TEST CONDITIONS	MIN	TYP	MAX	UNIT
INPUT VOLTAGE (V_{IN})						
V_{IN}	Input voltage	Over I_{OUT} range	4.5 ⁽¹⁾		28 ⁽²⁾	V
UVLO	V_{IN} undervoltage lockout	V_{IN} increasing	3.8	4.1	4.4	V
		V_{IN} decreasing	3.3	3.6	3.9	V
I_{SHDN}	Shutdown supply current	$V_{EN} = 0\text{ V}$		2		μA
OUTPUT VOLTAGE (V_{OUT})						
$V_{OUT(ADJ)}$	Output voltage adjust	Over I_{OUT} range	1.2		6	V
$V_{OUT(Ripple)}$	Output voltage ripple	20-MHz bandwidth		22		mV
FEEDBACK						
V_{FB}	Feedback voltage ⁽³⁾	$T_A = 25^{\circ}\text{C}$, $I_{OUT} = 0.2\text{ A}$	0.581	0.596	0.611	V
	Temperature variation	$-40^{\circ}\text{C} \leq T_J \leq 125^{\circ}\text{C}$, $I_{OUT} = 0.2\text{ A}$		0.5%		
	Line regulation	$T_A = 25^{\circ}\text{C}$, $4.5\text{ V} \leq V_{IN} \leq 28\text{ V}$, $I_{OUT} = 0.2\text{ A}$		0.2		%
	Load regulation	Over I_{OUT} range, $T_A = 25^{\circ}\text{C}$		0.5		%
CURRENT						
I_{OUT}	Output current	Natural convection, $T_A = 25^{\circ}\text{C}$	0		2.5 ⁽⁴⁾	A
	Overcurrent threshold			4.8		A
PERFORMANCE						
η	Efficiency	$V_{IN} = 24\text{ V}$, $I_{OUT} = 1\text{ A}$	$V_{OUT} = 5\text{ V}$		86.5%	
			$V_{OUT} = 3.3\text{ V}$		82.7%	
			$V_{OUT} = 2.5\text{ V}$		79.3%	
		$V_{IN} = 12\text{ V}$, $I_{OUT} = 1\text{ A}$	$V_{OUT} = 5\text{ V}$		91.7%	
			$V_{OUT} = 3.3\text{ V}$		89.0%	
			$V_{OUT} = 2.5\text{ V}$		86.8%	
Transient response	25% to 75% load step 1 A/ μs slew rate	Over/undershoot		90		mV
		Recovery Time		125		μs

- (1) The minimum recommended input voltage is 4.5 V or ($V_{OUT} \times 1.3$), whichever is greater.
- (2) The maximum input voltage varies depending on the output voltage (see [Operating Range](#)).
- (3) The overall output voltage tolerance will be affected by the tolerance of the external R_{FBT} and R_{FBB} resistors.
- (4) The maximum output current that the TPSM84209 can deliver is a function of input voltage, output voltage, and ambient temperature (see [Output Current Rating](#)).

Electrical Characteristics (continued)

Over -40°C to $+85^{\circ}\text{C}$ ambient temperature, $V_{\text{IN}} = 12\text{ V}$, $V_{\text{OUT}} = 3.3\text{ V}$, $I_{\text{OUT}} = 2.5\text{ A}$, (unless otherwise noted); $C_{\text{IN1}} = 10\text{-}\mu\text{F}$, 50-V, 1210 ceramic; $C_{\text{IN2}} = 100\text{-}\mu\text{F}$, 35-V, electrolytic; $C_{\text{OUT}} = 2 \times 47\text{-}\mu\text{F}$, 16-V, 1210 ceramic.

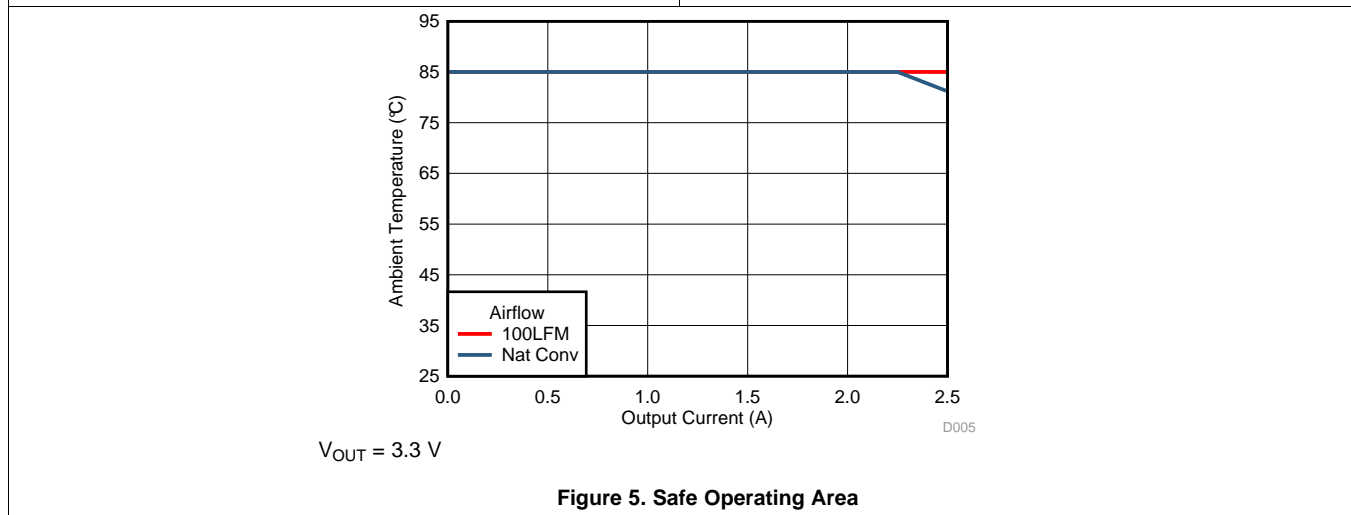
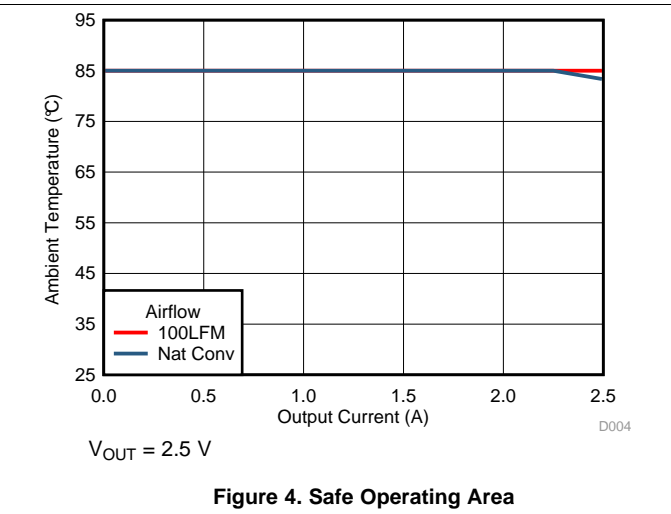
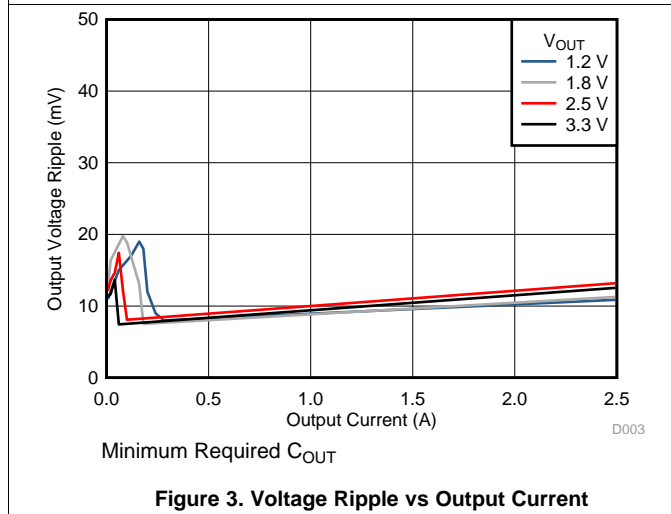
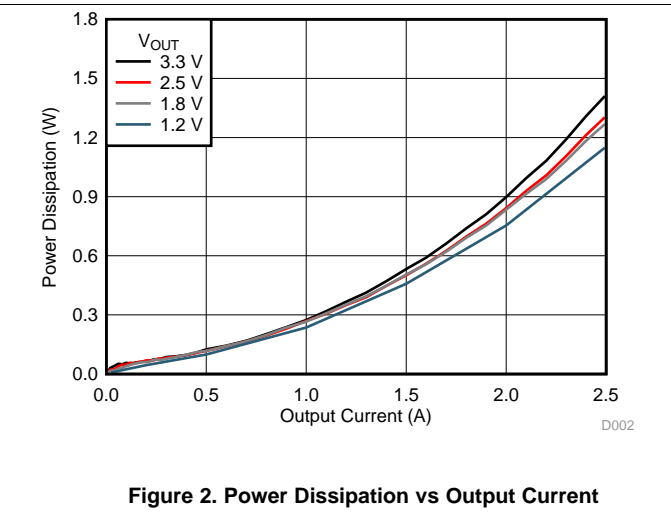
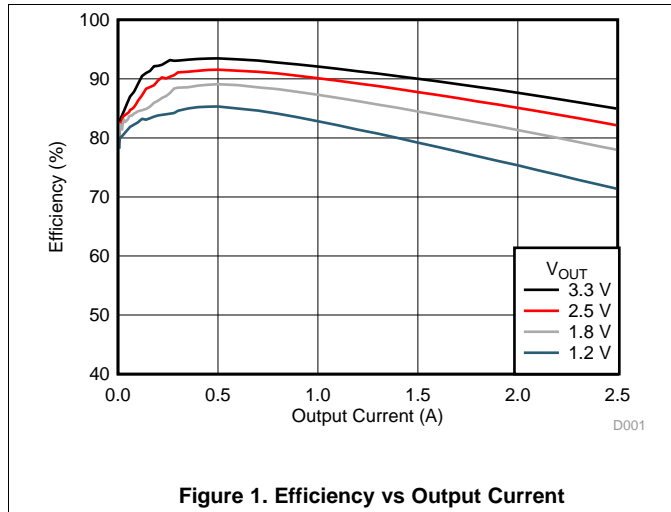
Minimum and maximum limits are specified through production test or by design. Typical values represent the expected value for the given test conditions and may or may not be production tested.

PARAMETER		TEST CONDITIONS	MIN	TYP	MAX	UNIT
SOFT START						
T_{SS}	Internal soft-start time			5		ms
SWITCHING FREQUENCY						
F_{SW}	Switching frequency		578	750	923	kHz
ENABLE (EN)						
$V_{\text{EN-RISING}}$	EN threshold	Rising		1.21	1.28	V
$V_{\text{EN-FALLIN}}$		Falling	1.1	1.19		V
I_{EN}	EN Input current	$V_{\text{EN}} = 1\text{ V}$		0.7		μA
	EN Hysteresis current	$V_{\text{EN}} = 1.5\text{ V}$		1.55		μA
THERMAL						
T_{SHDN}	Thermal shutdown	Shutdown temperature		165		$^{\circ}\text{C}$
		Hysteresis		10		$^{\circ}\text{C}$
CAPACITANCE						
C_{IN}	External input capacitance	Ceramic type	10 ⁽⁵⁾			μF
		Non-ceramic type	47 ⁽⁵⁾			μF
C_{OUT}	External output capacitance	Ceramic type	min ⁽⁶⁾		500 ⁽⁷⁾	μF
		Non-ceramic type			500 ⁽⁷⁾	μF

- (5) A minimum of 10 μF ceramic input capacitance is required for proper operation. An additional 47 μF of bulk capacitance is recommended for applications with transient load requirements.
- (6) The minimum amount of required output capacitance varies depending on the output voltage (see [Output Capacitor Selection](#)). A minimum amount of ceramic capacitance is required. Locate the capacitance close to the device. Adding additional ceramic or non-ceramic capacitance close to the load improves the response of the regulator to load transients.
- (7) The maximum output capacitance of 500 μF can be made up of all ceramic type or a combination of both ceramic and non-ceramic type.

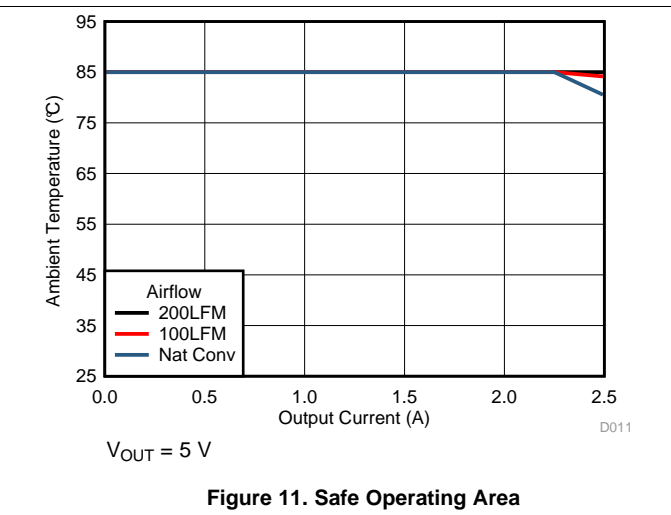
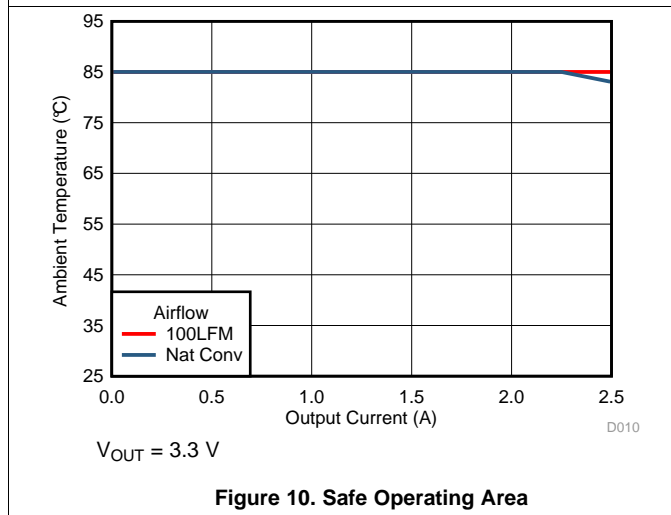
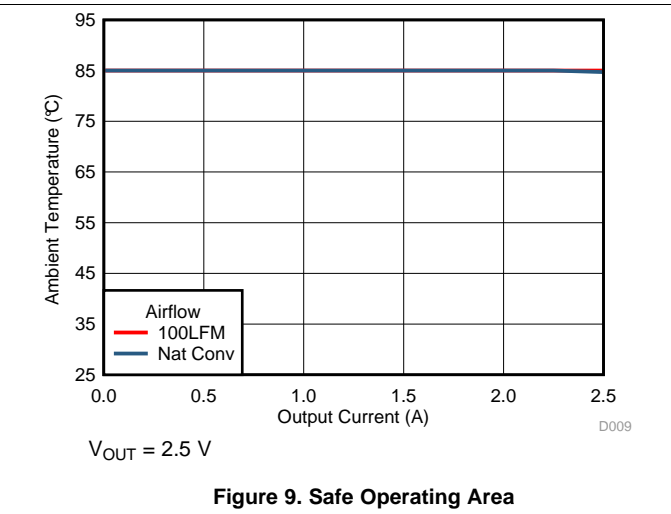
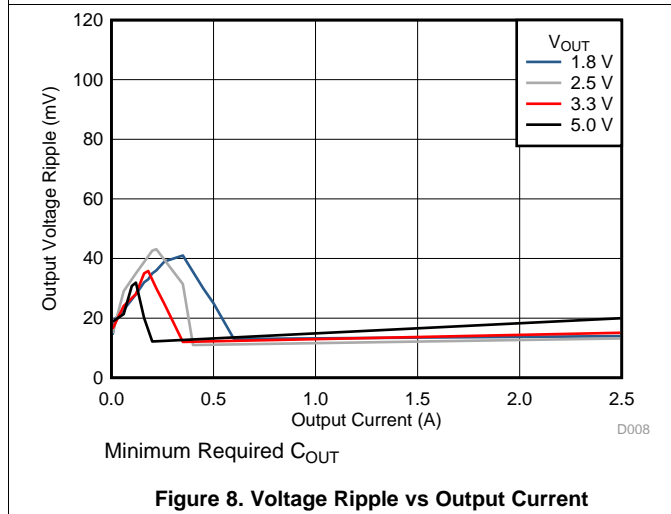
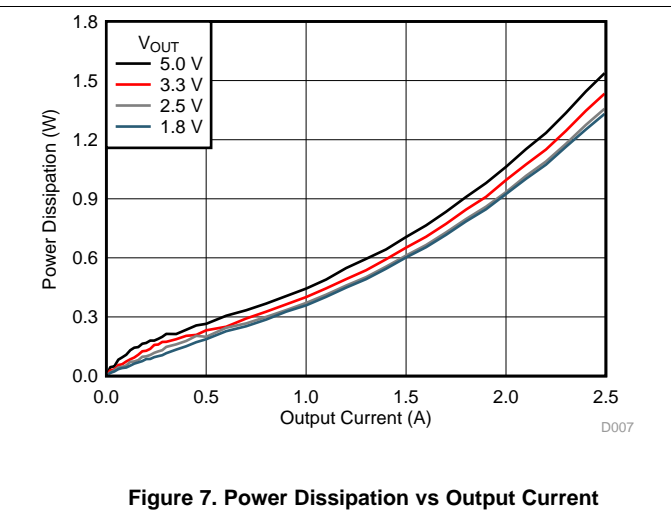
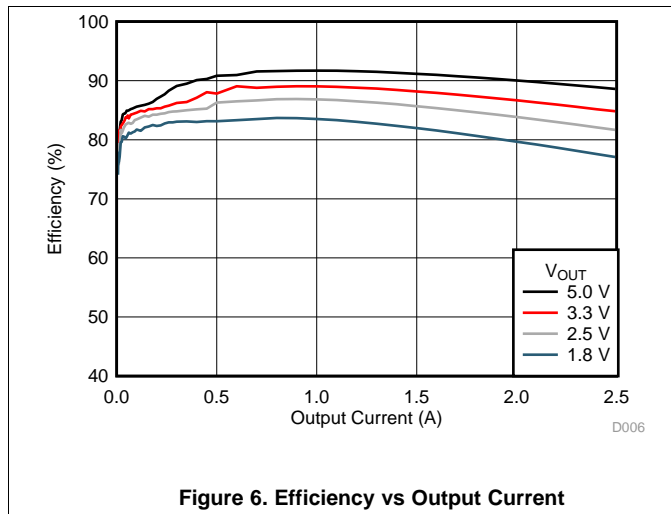
6.6 Typical Characteristics ($V_{IN} = 5\text{ V}$)

$T_A = 25^\circ\text{C}$, unless otherwise noted.



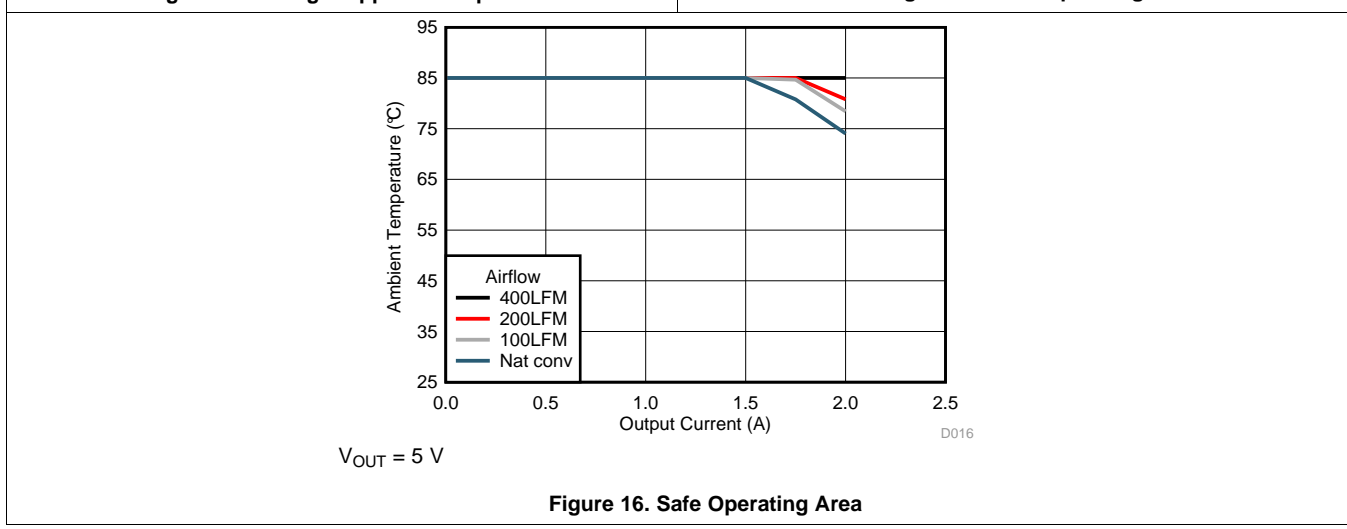
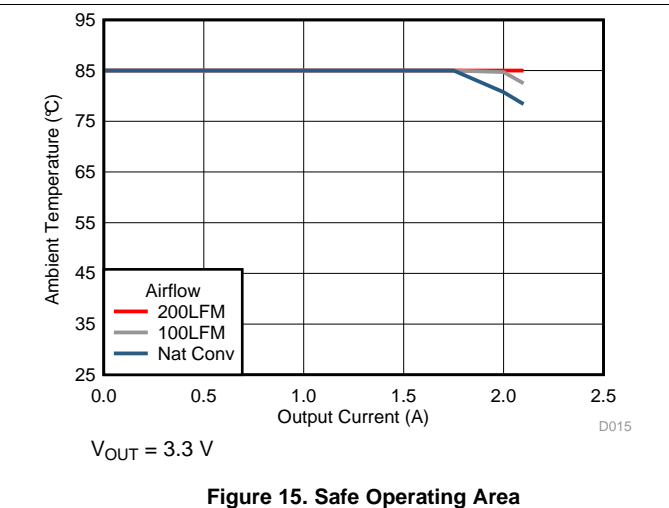
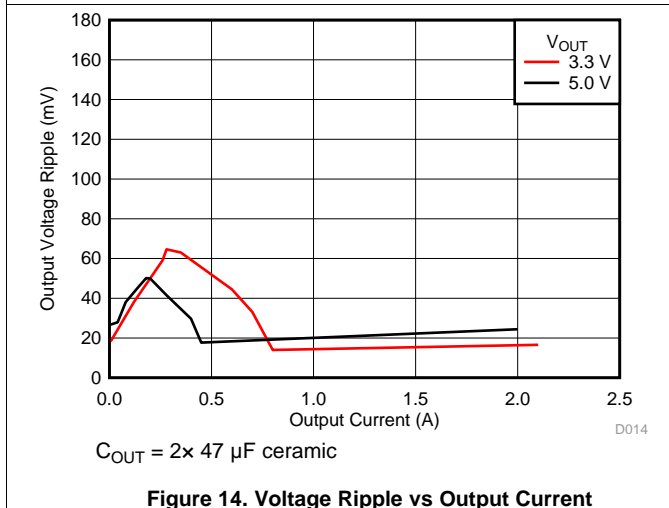
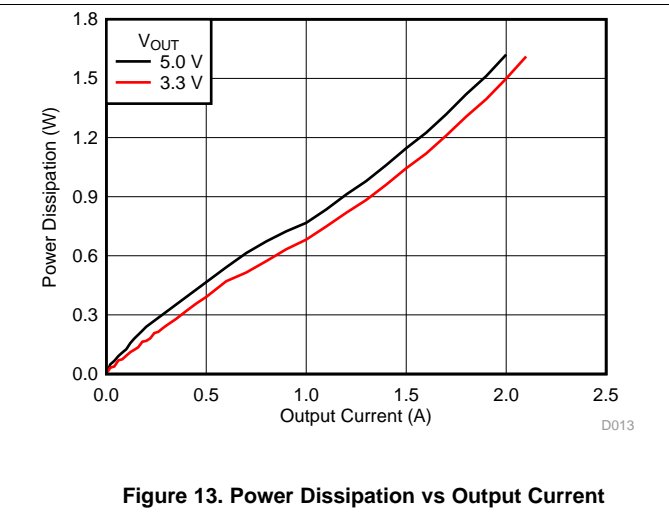
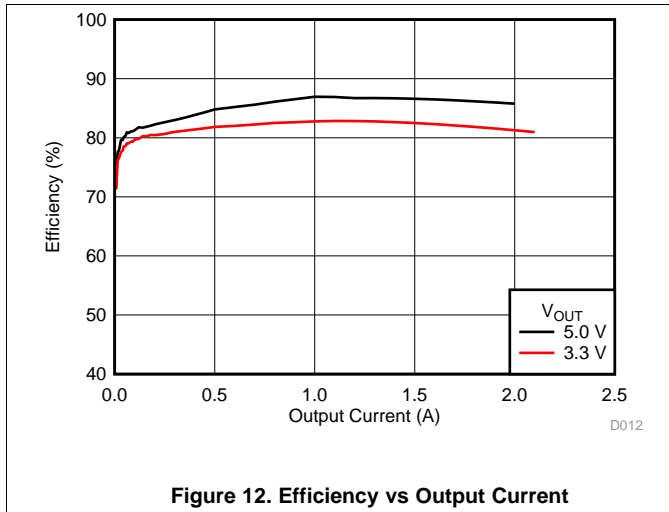
6.7 Typical Characteristics ($V_{IN} = 12\text{ V}$)

$T_A = 25^\circ\text{C}$, unless otherwise noted.



6.8 Typical Characteristics ($V_{IN} = 24\text{ V}$)

$T_A = 25^\circ\text{C}$, unless otherwise noted.

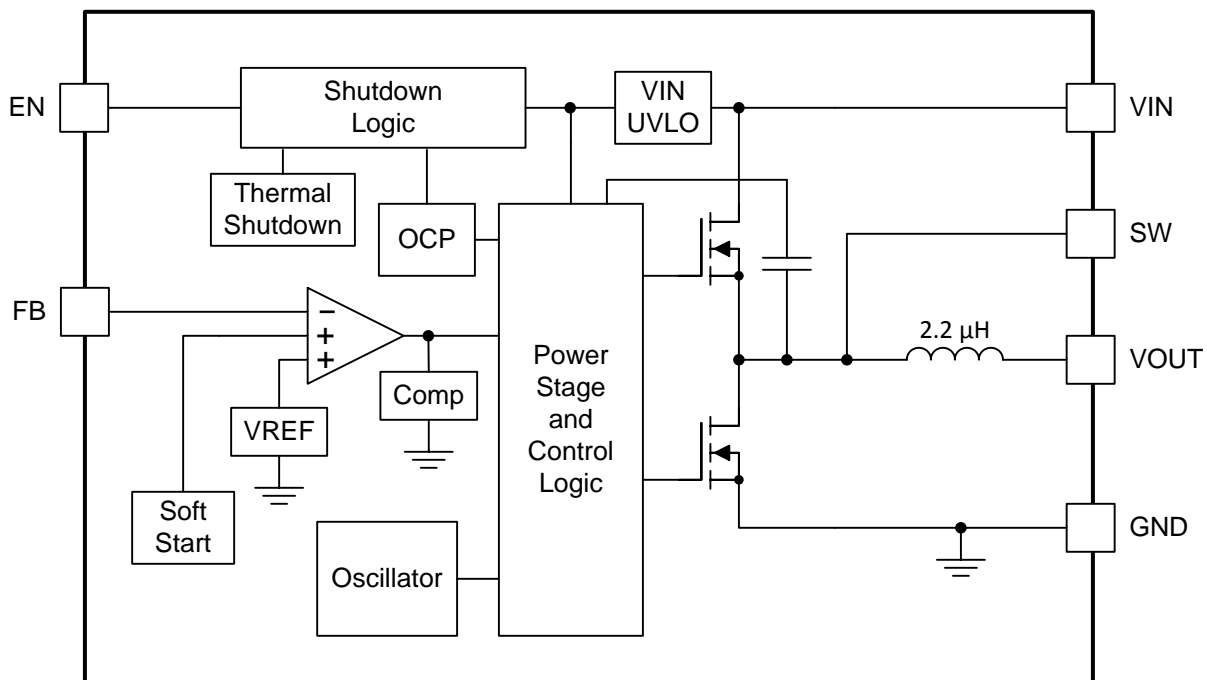


7 Detailed Description

7.1 Overview

The TPSM84209 is a highly integrated 28-V input, 2.5-A, synchronous step-down power module with PWM, MOSFETs, inductor, and control circuitry integrated into a low-profile, overmolded, QFN package. This device enables small designs by integrating all but the input and output capacitors and voltage-setting resistor divider while keeping the ability to adjust key parameters to meet specific design requirements. The TPSM84209 operates at a 750-kHz fixed switching frequency and features advanced Eco-mode™ pulse-skip operation for improved light-load efficiency. The TPSM84209 provides an adjustable output-voltage range of 1.2 V to 6 V using a simple external-resistor divider. The TPSM84209 provides accurate voltage regulation for a variety of loads by using an internal voltage reference that is 2.5% accurate over temperature. The output-voltage rise time is controlled by a fixed 5-ms soft start. Input UVLO is internally set at 4.1 V, but can be adjusted upward using a resistor divider on the EN pin of the module. The EN pin can also be pulled low to put the module in standby mode to reduce input quiescent current. Thermal shutdown and current limit features protect the device during an overload condition. A 9-pin, 4-mm × 4.5-mm B3QFN package that includes exposed bottom pads provides a thermally enhanced solution for space-constrained applications.

7.2 Functional Block Diagram



7.3 Feature Description

7.3.1 Adjusting the Output Voltage

A resistor divider connected to the FB pin (pin 1) programs the output voltage of the TPSM84209. The output voltage adjustment range is from 1.2 V to 6 V. Figure 17 shows the feedback resistor connection for setting the output voltage. The recommended value of R_{FBT} is 10 k Ω . Table 1 lists the closest standard E96 value for the R_{FBB} resistor for a number of common output voltages. For other output voltages, the value of the required R_{FBB} resistor can be calculated using Equation 1.

$$R_{FBB} = \frac{6}{(V_{OUT} - 0.6)} \text{ (k}\Omega\text{)} \tag{1}$$

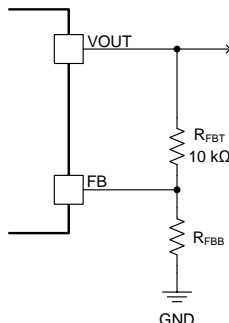


Figure 17. Setting the Output Voltage

Table 1. Standard R_{FBB} Resistor Values

V_{OUT} (V)	R_{FBB} (k Ω)	V_{OUT} (V)	R_{FBB} (k Ω)
1.2	10.0	3.7	1.96
1.3	8.45	3.8	1.87
1.4	7.50	3.9	1.82
1.5	6.65	4.0	1.74
1.6	6.04	4.1	1.69
1.7	5.36	4.2	1.65
1.8	4.99	4.3	1.62
1.9	4.64	4.4	1.58
2.0	4.22	4.5	1.54
2.1	4.02	4.6	1.50
2.2	3.74	4.7	1.47
2.3	3.48	4.8	1.43
2.4	3.32	4.9	1.40
2.5	3.16	5.0	1.37
2.6	3.01	5.1	1.33
2.7	2.87	5.2	1.30
2.8	2.74	5.3	1.27
2.9	2.61	5.4	1.24
3.0	2.49	5.5	1.22
3.1	2.37	5.6	1.20
3.2	2.32	5.7	1.18
3.3	2.21	5.8	1.15
3.4	2.15	5.9	1.13
3.5	2.05	6.0	1.10
3.6	2.00		

7.3.2 Input Capacitor Selection

The TPSM84209 requires a ceramic input capacitor with a minimum effective capacitance of 10 μF . Use only high-quality ceramic type X5R or X7R capacitors with sufficient voltage rating. An additional 47 μF of non-ceramic capacitance is recommended for applications with transient load requirements. The voltage rating of input capacitors must be greater than the maximum input voltage. To compensate for the derating of ceramic capacitors, TI recommends a voltage rating of twice the maximum input voltage. At worst case, when operating at 50% duty cycle and maximum load, the combined ripple current rating of the input capacitors must be at least 1.25 Arms. Table 2 includes a preferred list of capacitors by vendor.

Table 2. Recommended Input Capacitors⁽¹⁾

VENDOR	SERIES	PART NUMBER	CAPACITOR CHARACTERISTICS		
			WORKING VOLTAGE (V)	CAPACITANCE ⁽²⁾ (μF)	ESR ⁽³⁾ (m Ω)
TDK	X5R	C3225X5R1H106K	50	10	3
Murata	X7R	GRM32ER71H106K	50	10	2
Murata	X7R	GRM32ER71J106K	63	10	2
Panasonic	ZA	EEHZA1H101P	50	100	28
Panasonic	ZA	EEHZA1J560P	63	56	30

- (1) **Capacitor Supplier Verification, RoHS, Lead-free and Material Details**
Consult capacitor suppliers regarding availability, material composition, RoHS and lead-free status, and manufacturing process requirements for any capacitors identified in this table.
- (2) Specified capacitance values
- (3) Maximum ESR at 100 kHz, 25°C.

7.3.3 Undervoltage Lockout (UVLO)

The TPSM84209 device has an internal UVLO circuit which prevents the device from operating until the V_{IN} voltage exceeds the UVLO rising threshold, (4.1 V (typical)). The device is disabled when the V_{IN} pin voltage falls below the internal V_{IN} UVLO threshold. The internal V_{IN} UVLO threshold has a hysteresis of 500 mV.

Applications may require a higher UVLO threshold to prevent early turnon, for sequencing requirements or to prevent input current draw at lower input voltages. An external resistor divider can be added to the EN pin to adjust the UVLO threshold higher. The external resistor divider can be configured as shown in Figure 18. Table 3 lists standard values for R_{UVLO1} and R_{UVLO2} to adjust the UVLO voltage higher.

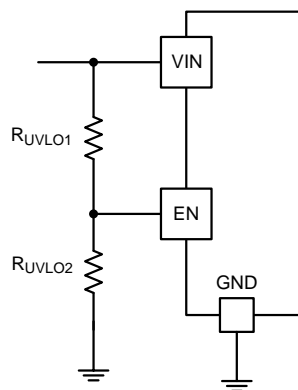


Figure 18. Adjustable UVLO

Table 3. Standard Resistor Values for Adjusting UVLO

V_{IN} UVLO (V)	4.5	10	15	18	20
R_{UVLO1} (k Ω)	68.1	68.1	68.1	68.1	68.1
R_{UVLO2} (k Ω)	25.5	9.53	6.04	4.99	4.42

7.3.4 Output Capacitor Selection

The minimum amount of required output capacitance for the TPSM84209 varies depending on the output voltage and whether or not a feed-forward capacitor, C_{FF} , is used (see [Feed-Forward Capacitor](#) for more information on C_{FF}). [Table 4](#) lists the minimum output capacitance for several output voltage ranges when not using C_{FF} . The required output capacitance must be comprised of all ceramic capacitors or a combination of ceramic and polymer-type capacitors. The effects of temperature and capacitor voltage rating must be considered when selecting capacitors to meet the minimum required capacitance.

When adding additional output capacitance, ceramic capacitors or a combination of ceramic and polymer-type capacitors can be used. The required capacitance above the minimum is determined by actual transient deviation requirements. See [Table 5](#) for a preferred list of output capacitors by vendor.

Table 4. Minimum Required Output Capacitance

V _{OUT} RANGE (V)		Minimum Required C _{OUT}
MIN	MAX	
1.2	< 1.5	188 μ F (4 x 47 μ F ceramic) ⁽¹⁾
1.5	< 2.5	141 μ F (3 x 47 μ F ceramic) ⁽¹⁾
2.5	< 5	94 μ F (2 x 47 μ F ceramic)
5	6	47 μ F (1 x 47 μ F ceramic)

(1) The minimum required output capacitance can also be made up of 1 x 47 μ F ceramic + 1 x 100 μ F polymer-type capacitor.

Table 5. Recommended Output Capacitors⁽¹⁾

VENDOR	SERIES	PART NUMBER	CAPACITOR CHARACTERISTICS		
			WORKING VOLTAGE (V)	CAPACITANCE ⁽²⁾ (μ F)	ESR ⁽³⁾ (m Ω)
TDK	X5R	C3225X5R1C106K	16	10	2
Murata	X5R	GRM32ER61C106K	16	10	2
TDK	X5R	C3225X5R1C226M	16	22	2
Murata	X5R	GRM32ER61C226K	16	22	2
TDK	X5R	C3225X5R1A476M	10	47	2
Murata	X5R	GRM32ER61C476K	16	47	3
TDK	X5R	C3225X5R0J107M	6.3	100	2
Murata	X5R	GRM32ER60J107M	6.3	100	2
Murata	X5R	GRM32ER61A107M	10	100	2
Kemet	X5R	C1210C107M4PAC7800	16	100	2
Panasonic	POSCAP	6TPE100MI	6.3	100	18
Panasonic	POSCAP	6TPF220M9L	6.3	220	9
Panasonic	POSCAP	6TPE220ML	6.3	220	12

(1) **Capacitor Supplier Verification, RoHS, Lead-free and Material Details**

Consult capacitor suppliers regarding availability, material composition, RoHS and lead-free status, and manufacturing process requirements for any capacitors identified in this table.

(2) Specified capacitance values.

(3) Maximum ESR at 100 kHz, 25°C.

7.3.5 Feed-Forward Capacitor

The TPSM84209 is internally compensated to be stable over the operating range of the device. However, depending on the output voltage and amount of output capacitance, an additional feed-forward capacitor, C_{FF} , may be added for optimum performance. Adding additional output capacitance above the minimum reduces the output voltage ripple of the device. However, adding additional output capacitance also reduces the cross-over frequency of the device, slowing the response to load transients. Adding a feed-forward capacitor when adding more output capacitance helps to restore cross-over frequency of the device, restoring the transient response.

The external feed-forward capacitor must be placed in parallel with the top resistor divider, R_{FBT} . The placement of C_{FF} is shown in Figure 19. Table 6 lists the required C_{FF} values for different amounts of output capacitance. For output voltages < 2.5 V, it is not recommended to add a C_{FF} capacitor.

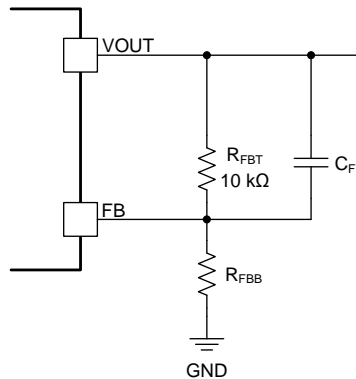


Figure 19. Feed-Forward Capacitor

Table 6. C_{FF} Values⁽¹⁾

V _{OUT} RANGE (V)		Amount of C _{OUT}			
MIN	MAX	47 μF (1 x 47 μF)	94 μF (2 x 47 μF)	141 μF (3 x 47 μF)	≥ 188 μF (4 x 47 μF)
2.5	< 3.3	Not applicable	$C_{FF} = 100 \text{ pF}$	$C_{FF} = 220 \text{ pF}$	$C_{FF} = 330 \text{ pF}$
3.3	< 5	Not applicable	$C_{FF} = 100 \text{ pF}$	$C_{FF} = 330 \text{ pF}$	$C_{FF} = 330 \text{ pF}$
5	6	$C_{FF} = 100 \text{ pF}$	$C_{FF} = 330 \text{ pF}$	$C_{FF} = 330 \text{ pF}$	$C_{FF} = 330 \text{ pF}$

(1) The C_{FF} values listed in this table apply when $R_{FBT} = 10 \text{ k}\Omega$. To calculate the value of C_{FF} when using another R_{FBT} value, multiply the C_{FF} value listed in the table by $10 \text{ k}\Omega / R_{FBT}$.

7.3.6 Operating Range

The TPSM84209 operates over a wide input voltage and output voltage range; however, not all output voltages can operate over the entire input voltage range. The maximum and minimum input voltage limits are shown in Figure 20. The TPSM84209 can be operated between the Maximum and Minimum V_{IN} limit lines.

Operating above the Maximum V_{IN} line may cause the device to skip pulses in order to maintain the regulated output voltage.

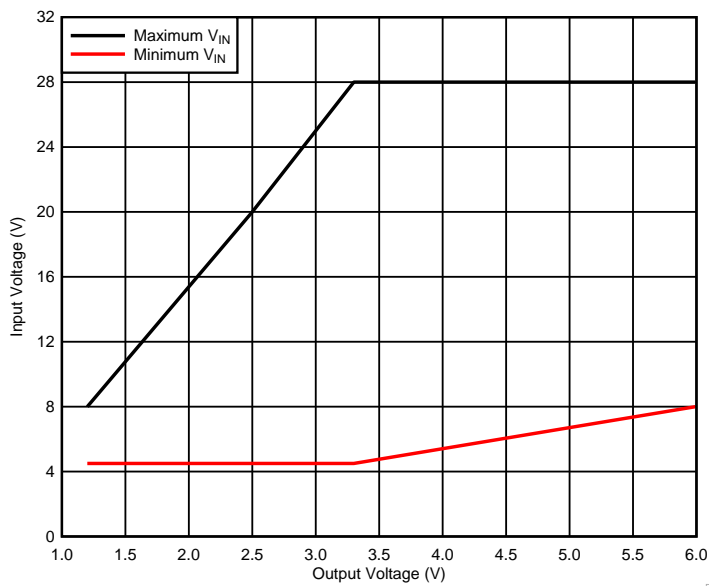


Figure 20. Input Voltage vs Output Voltage

7.3.7 Output Current Rating

The maximum output current that the TPSM84209 can deliver is a function of input voltage, output voltage, and ambient temperature. The TPSM84209 is capable of delivering up to 2.5 A of output current; however refer to Figure 21 and Figure 22 for maximum current ratings based on operating conditions of the specific application.

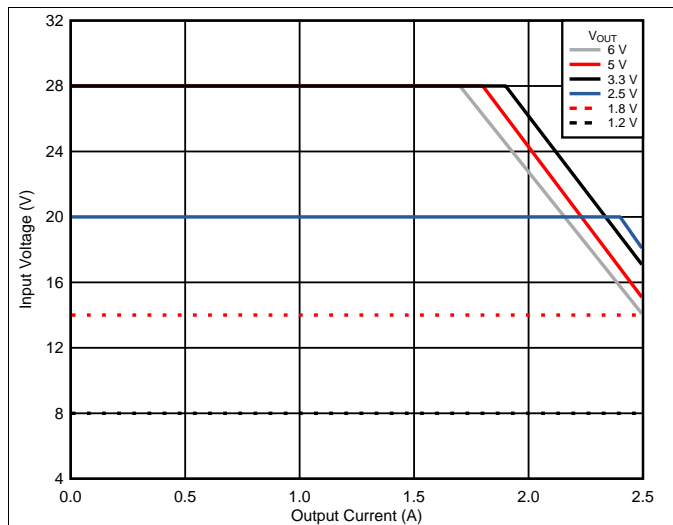


Figure 21. Output Current Derating $T_A = 25^\circ\text{C}$

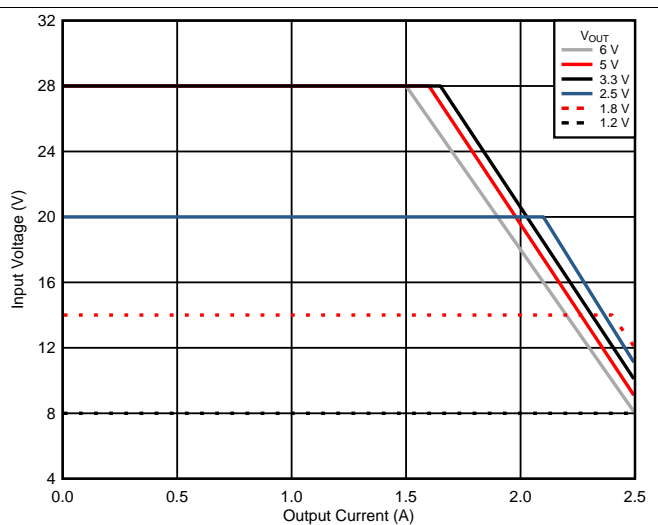


Figure 22. Output Current Derating $T_A = 85^\circ\text{C}$

7.3.8 Enable (EN)

The EN pin provides electrical ON and OFF control of the device. When the EN pin voltage exceeds the threshold voltage, the device begins operation. If the EN pin voltage is pulled below the threshold voltage, the regulator stops switching and enters the low-quiescent current state.

The EN pin has an internal pullup-current source, which allows the user to float the EN pin to enable the device. If an application requires control of the EN pin, use open-drain or open-collector output logic to interface with the pin.

Figure 23 shows the typical application of the enable function. Turning Q1 on applies a low voltage to the enable control pin and disables the output of the supply, shown in Figure 24. If Q1 is turned off, the supply executes a soft-start power-up sequence, as shown in Figure 25.

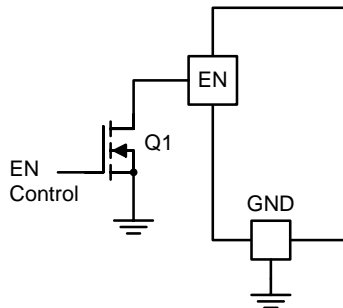


Figure 23. Typical Enable Control

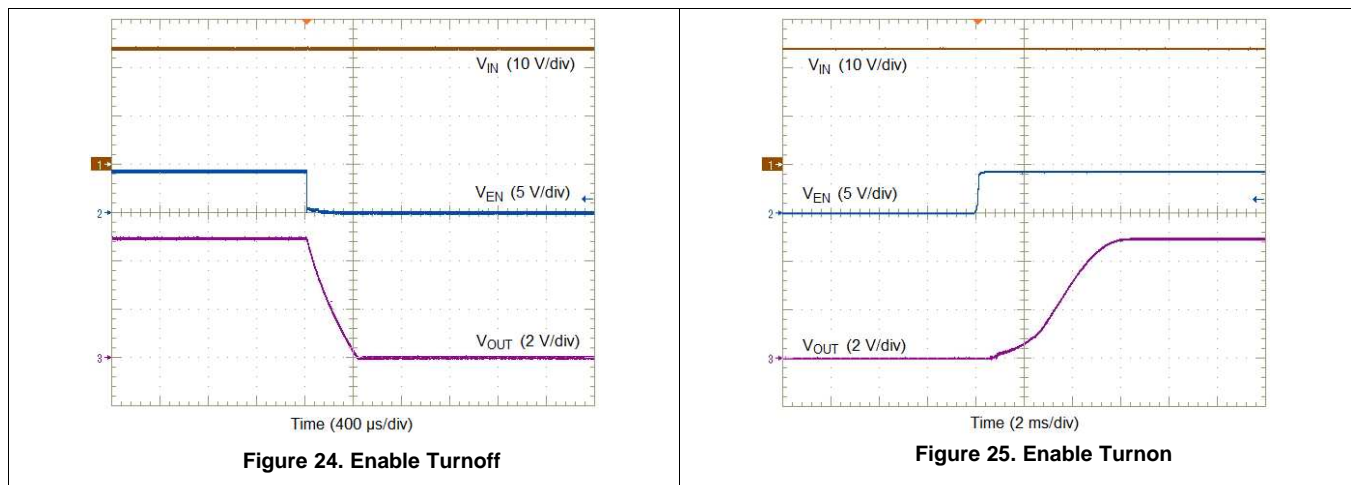


Figure 24. Enable Turnoff

Figure 25. Enable Turnon

7.3.9 Internal Soft Start

The TPSM84209 device uses the internal soft-start function. The internal soft-start time is set to 5 ms typically.

7.3.10 Safe Start-Up Into Prebiased Outputs

The device has been designed to prevent the low-side MOSFET from discharging a prebiased output. During monotonic prebiased start-up, both high-side and low-side MOSFETs are not allowed to be turned on until the internal soft-start voltage is higher than FB pin voltage.

7.3.11 Light Load Efficiency / Eco-Mode

The TPSM84209 device is designed to operate in high-efficiency, pulse-skipping mode under light load conditions. As the load current on the output is decreased, a point is reached where the energy delivered by a single switching pulse is more than the load can absorb. This causes the output voltage to rise slightly. This rise in output voltage is sensed by the feedback loop, and the device responds by skipping one or more switching cycles until the output voltage falls back to the setpoint. At very light loads or no load, many switching cycles are skipped. The observed effect during this pulse-skipping mode of operation is an increase in the peak-to-peak ripple voltage and a decrease in the ripple frequency. The load current where pulse skipping begins is a function of the input voltage and output voltage. Figure 26 is a plot of the pulse-skipping threshold current as a function of input voltage for a number of popular output voltages.

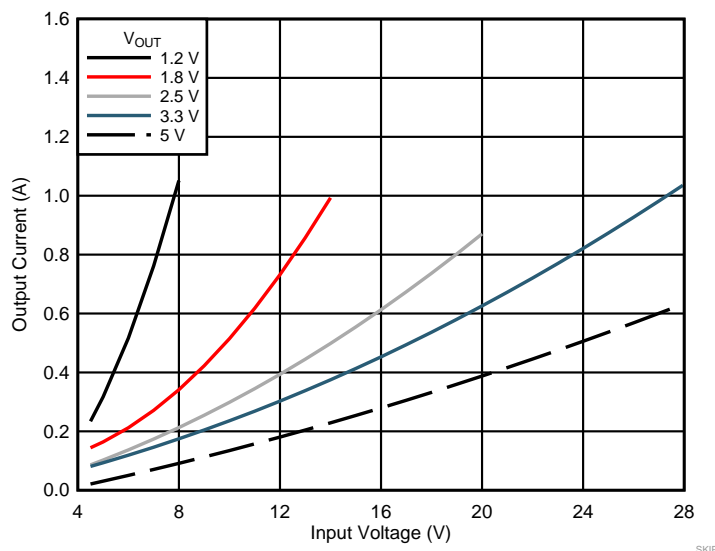
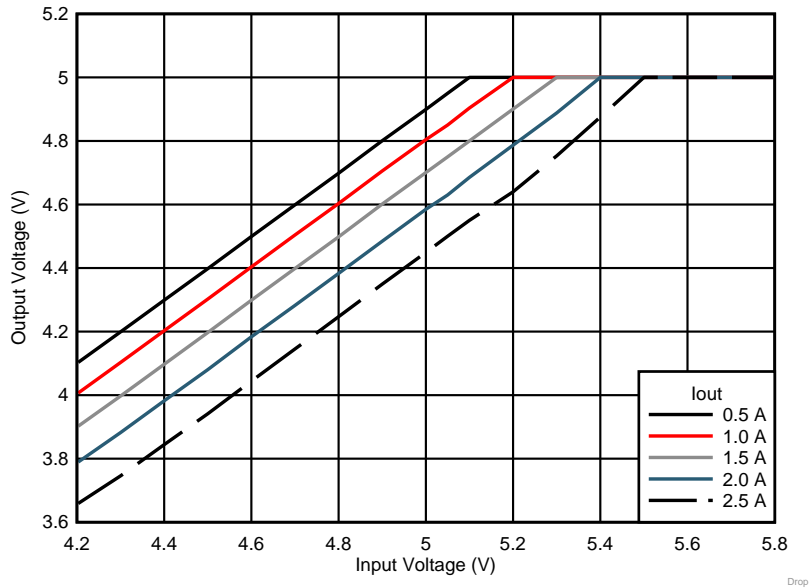


Figure 26. Pulse-Skipping Threshold

7.3.12 Voltage Dropout

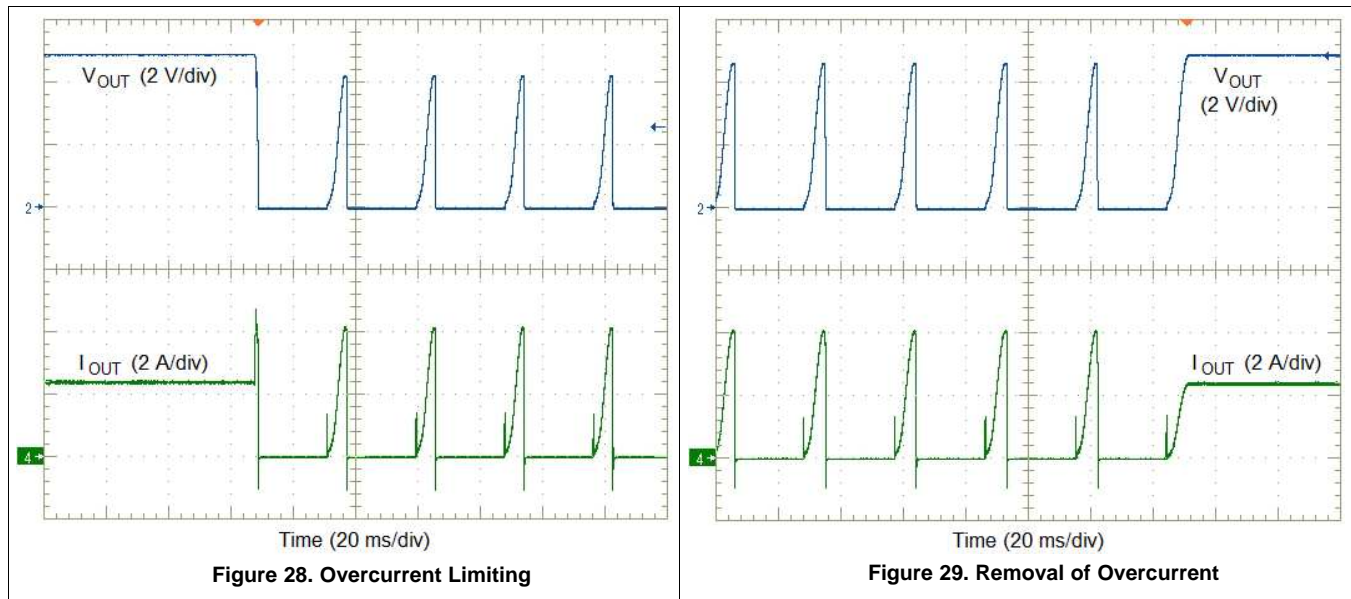
Voltage dropout is the difference between the input voltage and output voltage that is required to maintain output voltage regulation while providing the rated output current.

To ensure the TPSM84209 maintains output voltage regulation over the recommended operating range, the minimum recommended input voltage is 4.5 V or ($V_{OUT} \times 1.3$), whichever is greater. However, the TPSM84209 does produce an output voltage when operated below the recommended input voltage range. Figure 27 shows the typical dropout voltage curves for 5-V output at $T_A = 25^\circ\text{C}$. (Note: As ambient temperature increases, dropout voltage and frequency foldback occur at higher input voltage.)


Figure 27. Voltage Dropout

7.3.13 Overcurrent Protection

For protection against load faults, the TPSM84209 incorporates output overcurrent protection. Applying a load that exceeds the overcurrent threshold of the regulator causes the output to shut down. Following shutdown, the module periodically attempts to recover by initiating a soft-start power-up as shown in Figure 28. This is described as a hiccup mode of operation, where the module continues in a cycle of successive shutdown and power up until the load fault is removed. During this period, the average current flowing into the fault is significantly reduced which reduces power dissipation. Once the fault is removed, the module automatically recovers and returns to normal operation as shown in Figure 29.

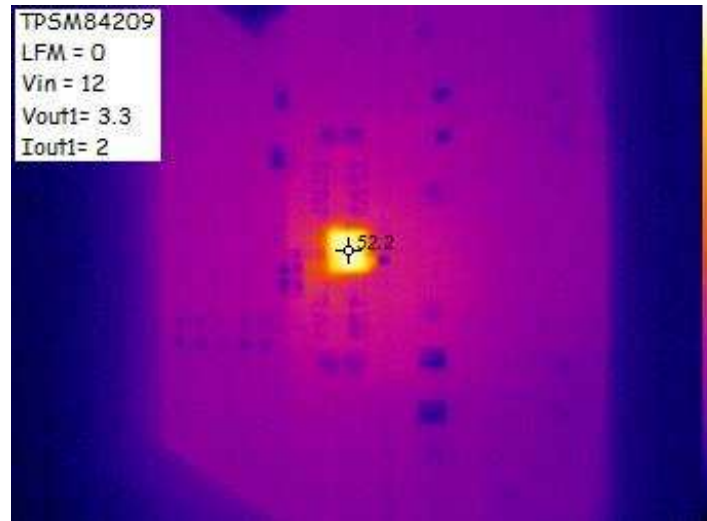

Figure 28. Overcurrent Limiting
Figure 29. Removal of Overcurrent

7.3.14 Output Overvoltage Protection (OVP)

The TPSM84209 incorporates an overvoltage transient protection (OVTP) circuit to minimize output voltage overshoot when recovering from output fault conditions or strong unload transients. The OVTP circuit includes an overvoltage comparator to compare the FB pin voltage and internal thresholds. When the FB pin voltage goes above $108\% \times V_{ref}$, the high-side MOSFET is forced off. When the FB pin voltage falls below $104\% \times V_{ref}$, the high-side MOSFET is enabled again.

7.3.15 Thermal Performance

The typical thermal performance of the TPSM84209 is shown in [Figure 30](#). The thermal image shows the typical temperature rise of TPSM84209 is 27.2°C above ambient when operated at $V_{IN} = 12\text{ V}$, $V_{OUT} = 3.3\text{ V}$, $I_{OUT} = 2\text{ A}$, with no airflow (LFM = 0).



$T_A = 25^{\circ}\text{C}$

Figure 30. Thermal Image

7.3.16 Thermal Shutdown

The internal thermal shutdown circuitry forces the device to stop switching if the junction temperature exceeds 165°C (typical). The device reinitiates the power-up sequence when the junction temperature drops below 155°C (typical).

7.4 Device Functional Modes

7.4.1 Active Mode

When V_{IN} is above the UVLO threshold and the EN pin voltage is above the EN high threshold, the TPSM84209 operates in the active mode. Normal continuous conduction mode (CCM) occurs when inductor peak current is above 0 A. In CCM, the TPSM84209 operates at a fixed frequency.

7.4.2 Eco-Mode Operation

The TPSM84209 device is designed to operate in high-efficiency, pulse-skipping mode under light load conditions. Pulse skipping initiates when the high-side FET current is less than 500 mA typically. During pulse skipping, the low-side FET turns off when the switch current falls to 0 A. The switching node (SW pin) waveform takes on the characteristics of discontinuous conduction mode (DCM) operation and the apparent switching frequency decreases. As the output current decreases, the perceived time between switching pulses increases.

7.4.3 Shutdown Mode

The EN pin provides electrical ON and OFF control for the TPSM84209. When the EN pin voltage is below the EN threshold, the device is in shutdown mode. In shutdown mode the standby current is 2 μ A, typically. The TPSM84209 also employs UVLO protection. If V_{IN} is below the UVLO level, the output of the regulator turns off.

8 Application and Implementation

NOTE

Information in the following applications sections is not part of the TI component specification, and TI does not warrant its accuracy or completeness. TI's customers are responsible for determining suitability of components for their purposes. Customers should validate and test their design implementation to confirm system functionality.

8.1 Application Information

The TPSM84209 is a synchronous, step-down DC/DC power module. It is used to convert a higher DC voltage to a lower DC voltage with a maximum output current of 2.5 A. The following design procedure can be used to select components for the TPSM84209. Alternately, the WEBENCH® software may be used to generate complete designs. When generating a design, the WEBENCH software utilizes an iterative design procedure and accesses comprehensive databases of components. See www.ti.com/webench for more details.

8.2 Typical Application

The TPSM84209 requires only a few external components to convert from a wide input-voltage-supply range to a wide range of output voltages. Figure 31 shows a basic TPSM84209 schematic with only the minimum required components.

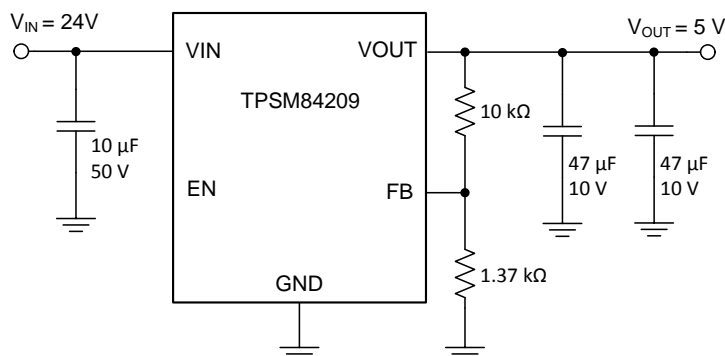


Figure 31. TPSM84209 Typical Application

8.2.1 Design Requirements

For this design example, use the parameters listed in Table 7 and the following design procedures.

Table 7. Design Example Parameters

DESIGN PARAMETER	VALUE
Input voltage V_{IN}	24 V typical
Output voltage V_{OUT}	5 V
Output current rating	2 A

8.2.2 Detailed Design Procedure

8.2.2.1 Custom Design With WEBENCH® Tools

[Click here](#) to create a custom design using the TPSM84209 device with the WEBENCH® Power Designer.

1. Start by entering the input voltage (V_{IN}), output voltage (V_{OUT}), and output current (I_{OUT}) requirements.
2. Optimize the design for key parameters such as efficiency, footprint, and cost using the optimizer dial.
3. Compare the generated design with other possible solutions from Texas Instruments.

The WEBENCH Power Designer provides a customized schematic along with a list of materials with real-time pricing and component availability.

In most cases, these actions are available:

- Run electrical simulations to see important waveforms and circuit performance
- Run thermal simulations to understand board thermal performance
- Export customized schematic and layout into popular CAD formats
- Print PDF reports for the design, and share the design with colleagues

Get more information about WEBENCH tools at www.ti.com/WEBENCH.

8.2.2.2 Output Voltage Setpoint

The output voltage of the TPSM84209 device is externally adjustable using a resistor divider (R_{FBT} and R_{FBB}) between VOUT, FB, and GND. With a fixed value of 10 k Ω for R_{FBT} , select the value of R_{FBB} from [Table 1](#) or calculate using [Equation 2](#):

$$R_{FBB} = \frac{6}{(V_{OUT} - 0.6)} \text{ (k}\Omega\text{)} \quad (2)$$

For a output voltage of 5 V, the formula yields a value of 1.36 k Ω . Choose the closest available value of 1.37 k Ω for R_{FBB} .

8.2.2.3 Input Capacitors

For this design, a 10- μ F, X7R dielectric ceramic capacitor rated for 50 V is used for the input decoupling capacitor.

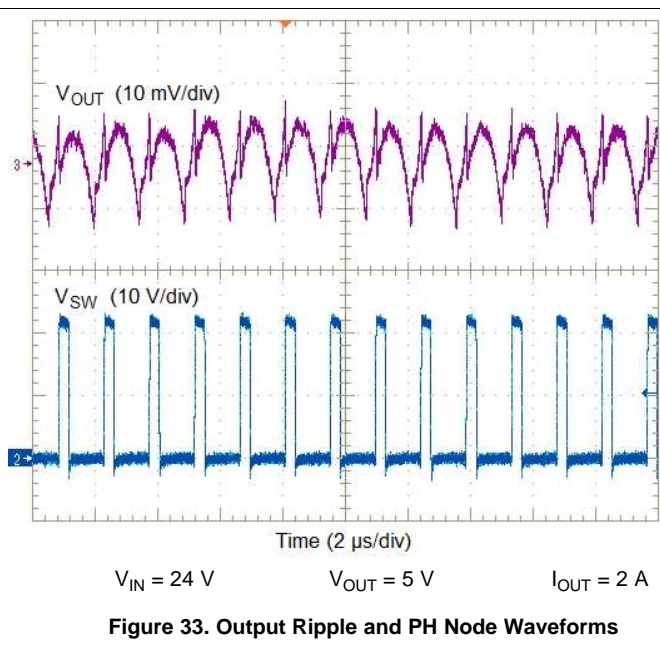
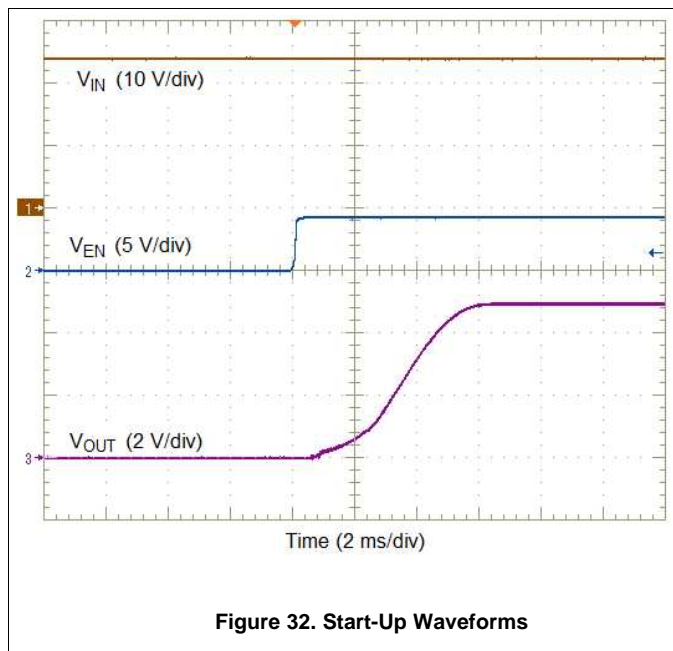
8.2.2.4 Output Capacitors

The minimum required output capacitance for a 5-V output is two 47- μ F ceramic capacitors. For this design, two 47- μ F, X5R dielectric ceramic capacitors rated for 16 V is used for the output capacitance.

8.2.2.5 Enable Control

The EN pin provides electrical ON/OFF control of the device. If an application requires control of the EN pin, use open-drain or open-collector output logic to interface with the pin. For this design, a small-signal, low-leakage MOSFET (BSS138) was used.

8.2.3 Application Waveforms



9 Power Supply Recommendations

The TPSM84209 is designed to operate from an input-voltage-supply range between 4.5 V and 28 V. This input supply must be well regulated and able to withstand maximum input current and maintain a stable voltage. The resistance of the input supply rail must be low enough that an input current transient does not cause a high enough drop at the TPSM84209 supply voltage that can cause a false UVLO fault triggering and system reset.

If the input supply is located more than a few inches from the TPSM84209 additional bulk capacitance may be required in addition to the ceramic bypass capacitors. Typically, a 47- μF or 100- μF electrolytic capacitor is sufficient.

10 Layout

The performance of any switching power supply depends as much upon the layout of the PCB as the component selection. See the following guidelines to design a PCB with the best power conversion performance, thermal performance, and minimized generation of unwanted EMI.

10.1 Layout Guidelines

To achieve optimal electrical and thermal performance, an optimized PCB layout is required. [Figure 34](#) and [Figure 35](#), shows a typical PCB layout. Some considerations for an optimized layout are:

- Use large copper areas for power planes (VIN, VOUT, and GND) to minimize conduction loss and thermal stress.
- Place ceramic input and output capacitors close to the device pins to minimize high frequency noise.
- Locate additional output capacitors between the ceramic capacitor and the load.
- Place the output voltage feedback resistors, R_{FBT} and R_{FBB} , as close as possible to their respective pins.
- Use multiple vias to connect the power planes to internal layers.

10.2 Layout Examples

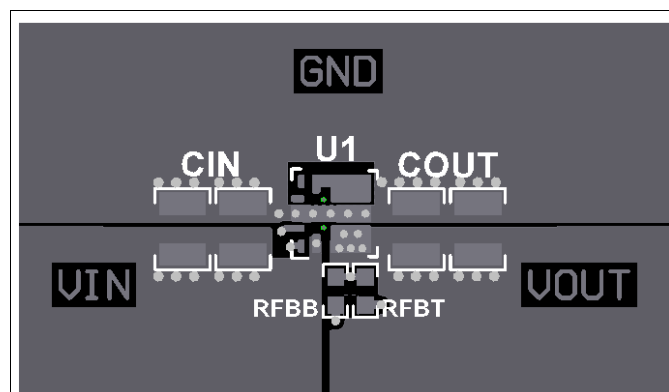


Figure 34. Typical Top-Layer Layout

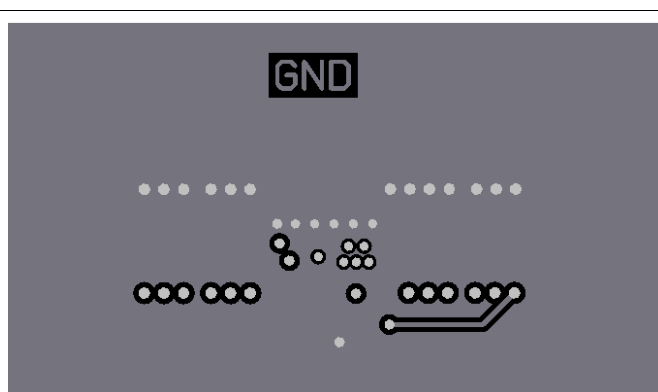


Figure 35. Typical GND Layer

10.3 EMI

The TPSM84209 is compliant with EN55011 radiated emissions. [Figure 36](#), [Figure 37](#), and [Figure 38](#) show typical examples of radiated emissions plots for the TPSM84209. The graphs include the plots of the antenna in the horizontal and vertical positions.

10.3.1 EMI Plots

EMI plots were measured using the standard TPSM84209EVM with no input filter.

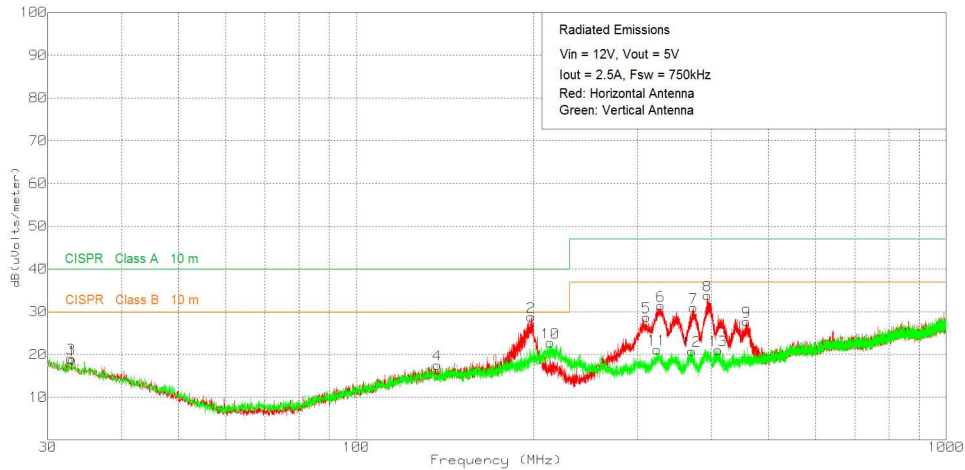


Figure 36. Radiated Emissions 12-V Input, 5-V Output, 2.5-A Load (EN55011 Class B)

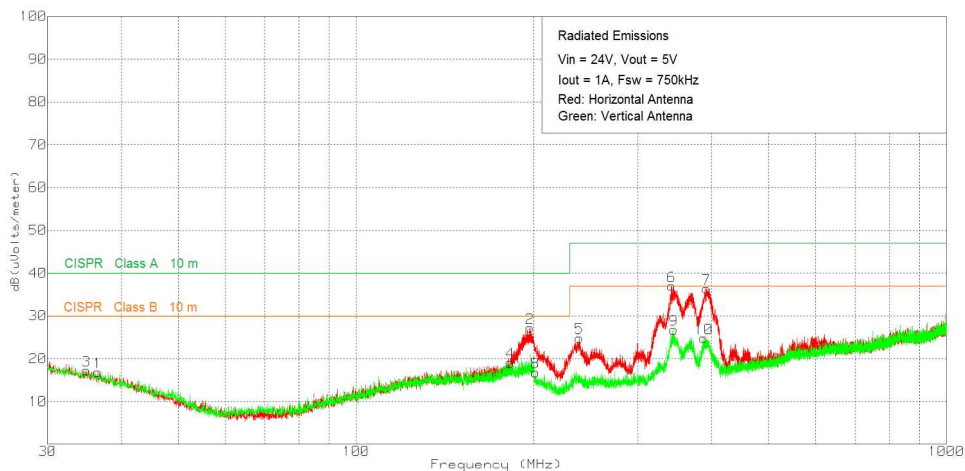


Figure 37. Radiated Emissions 24-V Input, 5-V Output, 1-A Load (EN55011 Class B)

EMI (continued)

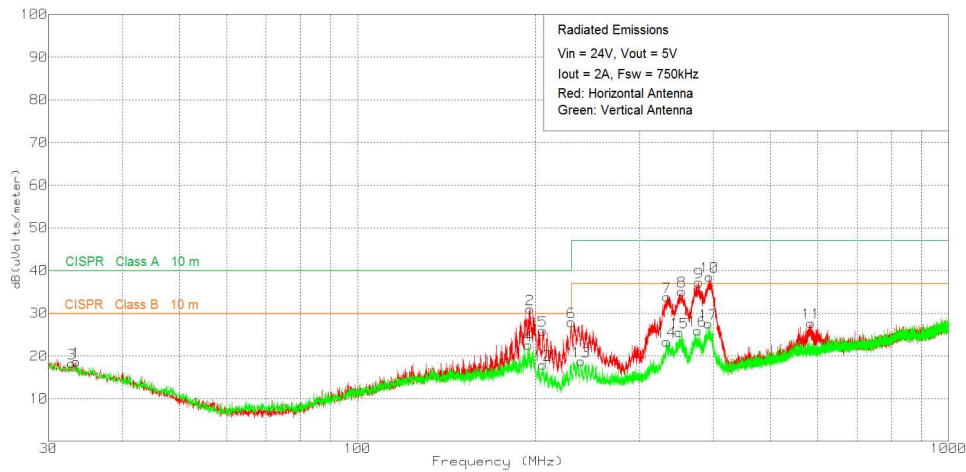


Figure 38. Radiated Emissions 24-V Input, 5-V Output, 2-A Load (EN55011 Class A)

10.4 Package Specifications

Table 8. Package Specifications Table

TPSM84209		VALUE	UNIT
Weight		107	mg
Flammability	Meets UL 94 V-O		
MTBF Calculated Reliability	Per Bellcore TR-332, 50% stress, $T_A = 40^\circ\text{C}$, ground benign	123	MHrs

11 Device and Documentation Support

11.1 Device Support

11.1.1 Third-Party Products Disclaimer

TI'S PUBLICATION OF INFORMATION REGARDING THIRD-PARTY PRODUCTS OR SERVICES DOES NOT CONSTITUTE AN ENDORSEMENT REGARDING THE SUITABILITY OF SUCH PRODUCTS OR SERVICES OR A WARRANTY, REPRESENTATION OR ENDORSEMENT OF SUCH PRODUCTS OR SERVICES, EITHER ALONE OR IN COMBINATION WITH ANY TI PRODUCT OR SERVICE.

11.2 Custom Design With WEBENCH® Tools

[Click here](#) to create a custom design using the TPSM84209 device with the WEBENCH® Power Designer.

1. Start by entering the input voltage (V_{IN}), output voltage (V_{OUT}), and output current (I_{OUT}) requirements.
2. Optimize the design for key parameters such as efficiency, footprint, and cost using the optimizer dial.
3. Compare the generated design with other possible solutions from Texas Instruments.

The WEBENCH Power Designer provides a customized schematic along with a list of materials with real-time pricing and component availability.

In most cases, these actions are available:

- Run electrical simulations to see important waveforms and circuit performance
- Run thermal simulations to understand board thermal performance
- Export customized schematic and layout into popular CAD formats
- Print PDF reports for the design, and share the design with colleagues

Get more information about WEBENCH tools at www.ti.com/WEBENCH.

11.3 Receiving Notification of Documentation Updates

To receive notification of documentation updates, navigate to the device product folder on ti.com. In the upper right corner, click on *Alert me* to register and receive a weekly digest of any product information that has changed. For change details, review the revision history included in any revised document.

11.4 Community Resources

The following links connect to TI community resources. Linked contents are provided "AS IS" by the respective contributors. They do not constitute TI specifications and do not necessarily reflect TI's views; see TI's [Terms of Use](#).

TI E2E™ Online Community *TI's Engineer-to-Engineer (E2E) Community*. Created to foster collaboration among engineers. At e2e.ti.com, you can ask questions, share knowledge, explore ideas and help solve problems with fellow engineers.

Design Support *TI's Design Support* Quickly find helpful E2E forums along with design support tools and contact information for technical support.

11.5 Trademarks

Eco-mode, E2E are trademarks of Texas Instruments.
WEBENCH is a registered trademark of Texas Instruments.
All other trademarks are the property of their respective owners.

11.6 Electrostatic Discharge Caution



These devices have limited built-in ESD protection. The leads should be shorted together or the device placed in conductive foam during storage or handling to prevent electrostatic damage to the MOS gates.

11.7 Glossary

[SLYZ022](#) — *TI Glossary*.

This glossary lists and explains terms, acronyms, and definitions.

12 Mechanical, Packaging, and Orderable Information

The following pages include mechanical packaging and orderable information. This information is the most current data available for the designated devices. This data is subject to change without notice and revision of this document. For browser-based versions of this data sheet, refer to the left-hand navigation.

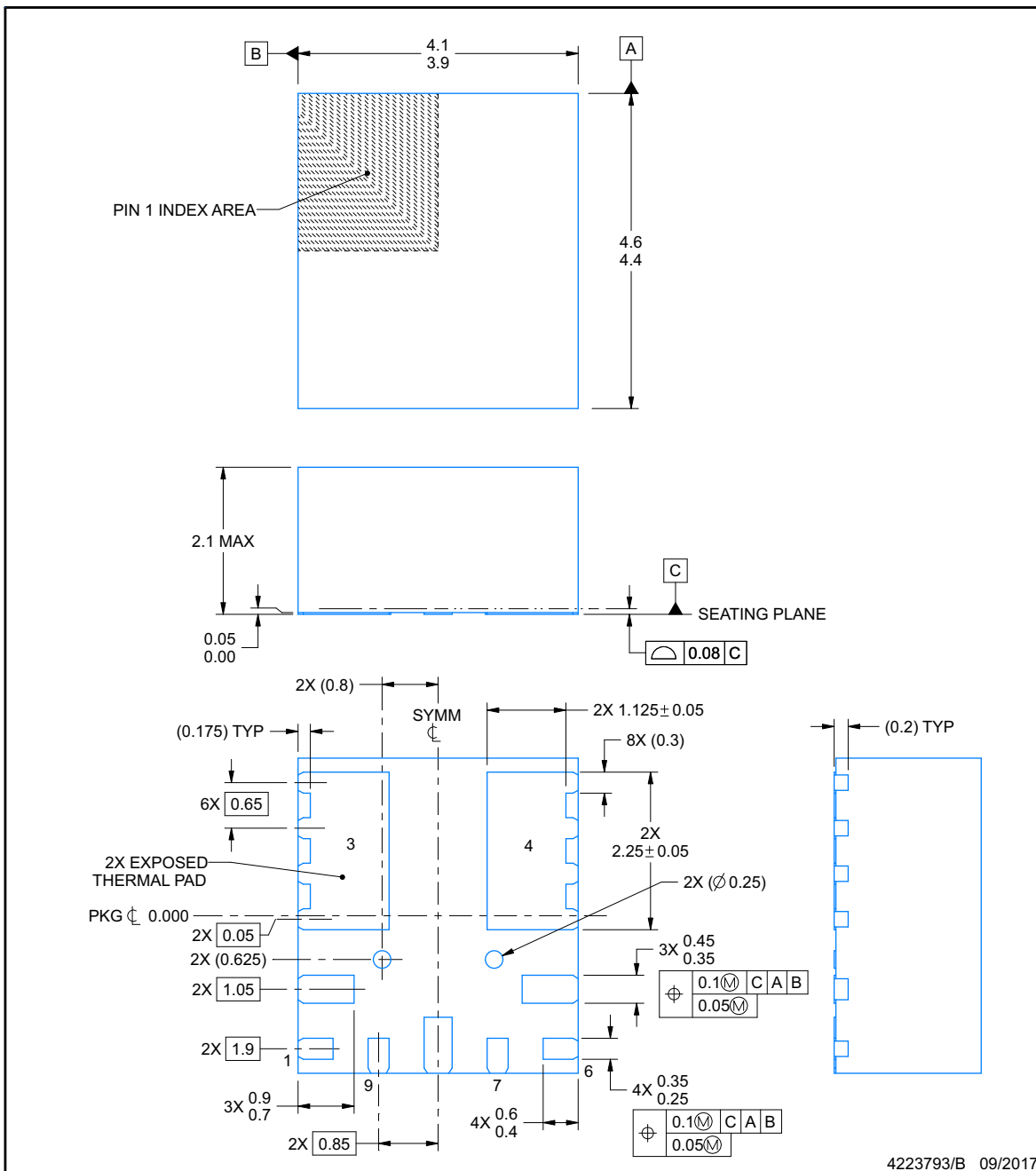


RKH0009A

PACKAGE OUTLINE

QFN - 2.1 mm max height

PLASTIC QUAD FLATPACK - NO LEAD



4223793/B 09/2017

NOTES:

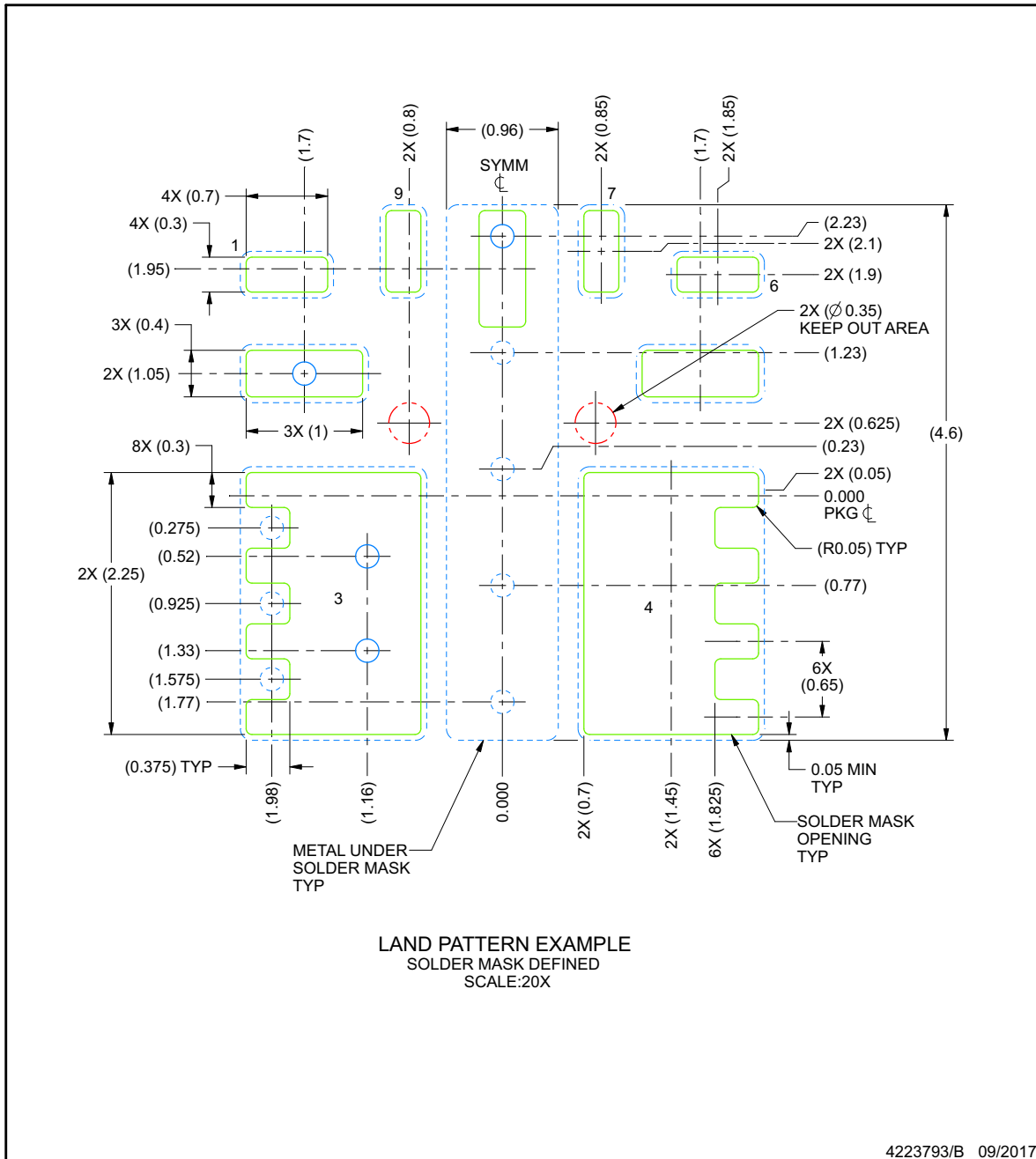
1. All linear dimensions are in millimeters. Any dimensions in parenthesis are for reference only. Dimensioning and tolerancing per ASME Y14.5M.
2. This drawing is subject to change without notice.
3. The package thermal pads must be soldered to the printed circuit board for thermal and mechanical performance.

EXAMPLE BOARD LAYOUT

RKH0009A

QFN - 2.1 mm max height

PLASTIC QUAD FLATPACK - NO LEAD



NOTES: (continued)

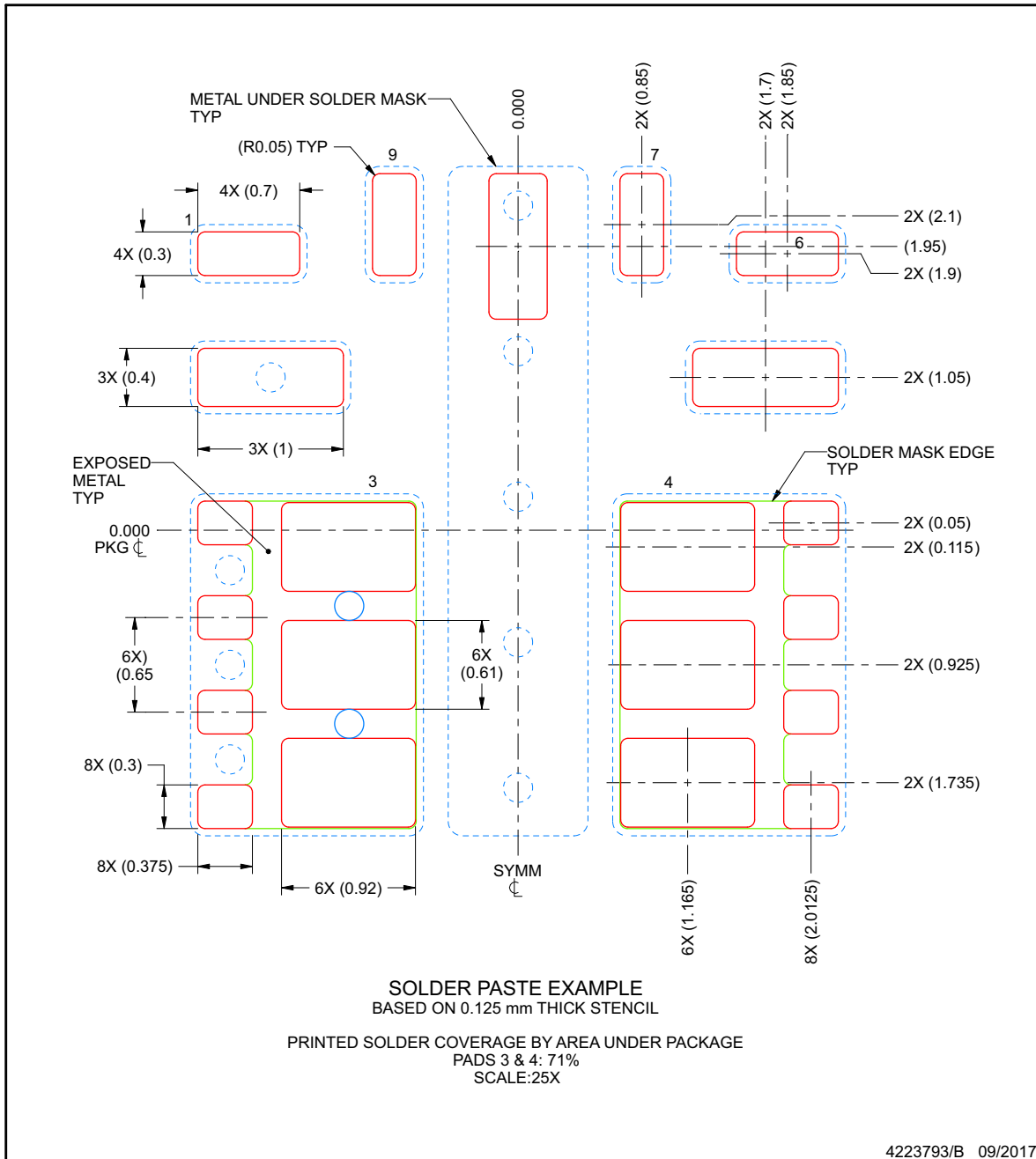
4. This package is designed to be soldered to thermal pads on the board. For more information, see Texas Instruments literature number SLUA271 (www.ti.com/lit/sluea271).
5. Vias are optional depending on application, refer to device data sheet. If any vias are implemented, refer to their locations shown on this view. It is recommended that vias under paste be filled, plugged or tented.

EXAMPLE STENCIL DESIGN

RKH0009A

QFN - 2.1 mm max height

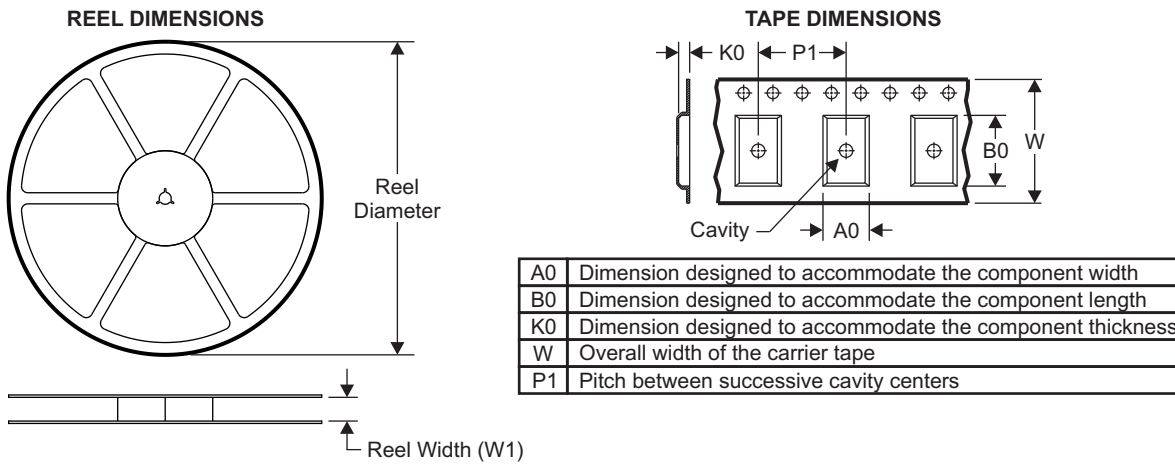
PLASTIC QUAD FLATPACK - NO LEAD



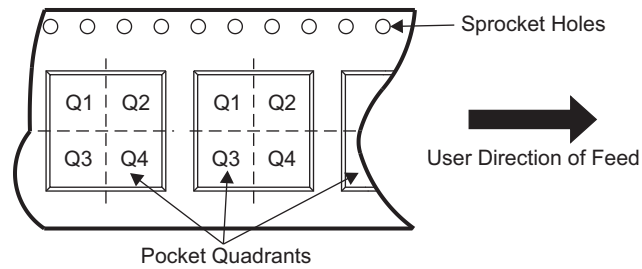
NOTES: (continued)

6. Laser cutting apertures with trapezoidal walls and rounded corners may offer better paste release. IPC-7525 may have alternate design recommendations.

12.1 Tape and Reel Information

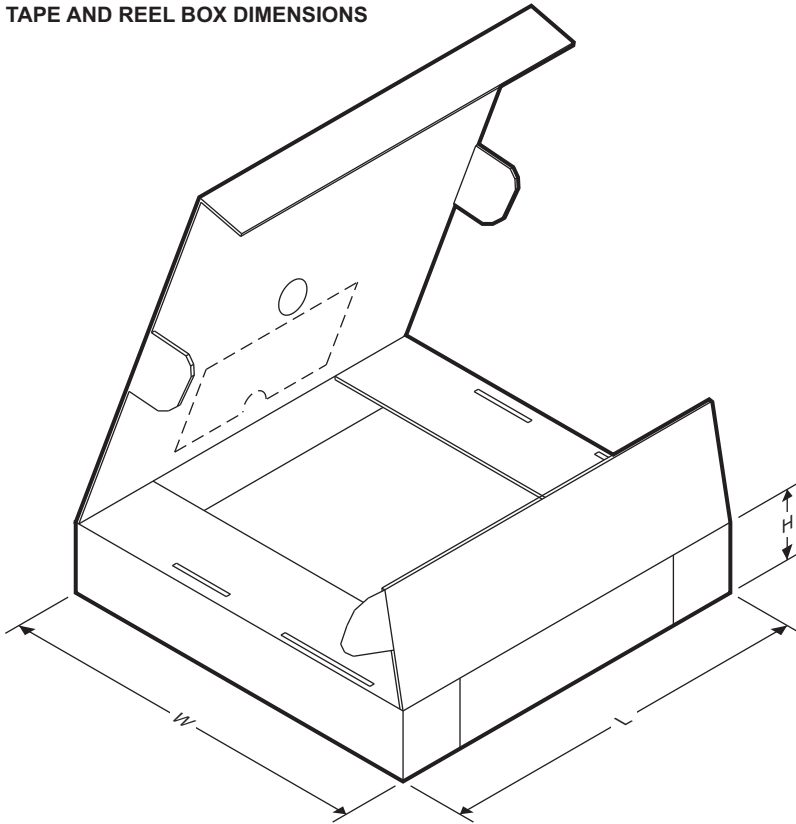


QUADRANT ASSIGNMENTS FOR PIN 1 ORIENTATION IN TAPE



Device	Package Type	Package Drawing	Pins	SPQ	Reel Diameter (mm)	Reel Width W1 (mm)	A0 (mm)	B0 (mm)	K0 (mm)	P1 (mm)	W (mm)	Pin1 Quadrant
TPSM84209RKHR	QFN-FCMOD	RKH	9	3000	330	17.6	4.3	4.8	2.25	8.0	12.0	Q1
TPSM84209RKHT	QFN-FCMOD	RKH	9	250	330	17.6	4.3	4.8	2.25	8.0	12.0	Q1

TAPE AND REEL BOX DIMENSIONS



Device	Package Type	Package Drawing	Pins	SPQ	Length (mm)	Width (mm)	Height (mm)
TPSM84209RKHR	QFN-FCMOD	RKH	9	3000	336	336	48
TPSM84209RKHT	QFN-FCMOD	RKH	9	250	336	336	48

PACKAGING INFORMATION

Orderable Device	Status (1)	Package Type	Package Drawing	Pins	Package Qty	Eco Plan (2)	Lead finish/ Ball material (6)	MSL Peak Temp (3)	Op Temp (°C)	Device Marking (4/5)	Samples
TPSM84209RKHR	ACTIVE	QFN-FCMOD	RKH	9	3000	RoHS & Green	SN	Level-3-260C-168 HR	-40 to 85	TPSM84209	Samples
TPSM84209RKHT	ACTIVE	QFN-FCMOD	RKH	9	250	RoHS & Green	SN	Level-3-260C-168 HR	-40 to 85	TPSM84209	Samples

(1) The marketing status values are defined as follows:

ACTIVE: Product device recommended for new designs.

LIFEBUY: TI has announced that the device will be discontinued, and a lifetime-buy period is in effect.

NRND: Not recommended for new designs. Device is in production to support existing customers, but TI does not recommend using this part in a new design.

PREVIEW: Device has been announced but is not in production. Samples may or may not be available.

OBSOLETE: TI has discontinued the production of the device.

(2) **RoHS:** TI defines "RoHS" to mean semiconductor products that are compliant with the current EU RoHS requirements for all 10 RoHS substances, including the requirement that RoHS substance do not exceed 0.1% by weight in homogeneous materials. Where designed to be soldered at high temperatures, "RoHS" products are suitable for use in specified lead-free processes. TI may reference these types of products as "Pb-Free".

RoHS Exempt: TI defines "RoHS Exempt" to mean products that contain lead but are compliant with EU RoHS pursuant to a specific EU RoHS exemption.

Green: TI defines "Green" to mean the content of Chlorine (Cl) and Bromine (Br) based flame retardants meet JS709B low halogen requirements of <=1000ppm threshold. Antimony trioxide based flame retardants must also meet the <=1000ppm threshold requirement.

(3) MSL, Peak Temp. - The Moisture Sensitivity Level rating according to the JEDEC industry standard classifications, and peak solder temperature.

(4) There may be additional marking, which relates to the logo, the lot trace code information, or the environmental category on the device.

(5) Multiple Device Markings will be inside parentheses. Only one Device Marking contained in parentheses and separated by a "~" will appear on a device. If a line is indented then it is a continuation of the previous line and the two combined represent the entire Device Marking for that device.

(6) Lead finish/Ball material - Orderable Devices may have multiple material finish options. Finish options are separated by a vertical ruled line. Lead finish/Ball material values may wrap to two lines if the finish value exceeds the maximum column width.

Important Information and Disclaimer:The information provided on this page represents TI's knowledge and belief as of the date that it is provided. TI bases its knowledge and belief on information provided by third parties, and makes no representation or warranty as to the accuracy of such information. Efforts are underway to better integrate information from third parties. TI has taken and continues to take reasonable steps to provide representative and accurate information but may not have conducted destructive testing or chemical analysis on incoming materials and chemicals. TI and TI suppliers consider certain information to be proprietary, and thus CAS numbers and other limited information may not be available for release.

In no event shall TI's liability arising out of such information exceed the total purchase price of the TI part(s) at issue in this document sold by TI to Customer on an annual basis.

IMPORTANT NOTICE AND DISCLAIMER

TI PROVIDES TECHNICAL AND RELIABILITY DATA (INCLUDING DATASHEETS), DESIGN RESOURCES (INCLUDING REFERENCE DESIGNS), APPLICATION OR OTHER DESIGN ADVICE, WEB TOOLS, SAFETY INFORMATION, AND OTHER RESOURCES "AS IS" AND WITH ALL FAULTS, AND DISCLAIMS ALL WARRANTIES, EXPRESS AND IMPLIED, INCLUDING WITHOUT LIMITATION ANY IMPLIED WARRANTIES OF MERCHANTABILITY, FITNESS FOR A PARTICULAR PURPOSE OR NON-INFRINGEMENT OF THIRD PARTY INTELLECTUAL PROPERTY RIGHTS.

These resources are intended for skilled developers designing with TI products. You are solely responsible for (1) selecting the appropriate TI products for your application, (2) designing, validating and testing your application, and (3) ensuring your application meets applicable standards, and any other safety, security, or other requirements. These resources are subject to change without notice. TI grants you permission to use these resources only for development of an application that uses the TI products described in the resource. Other reproduction and display of these resources is prohibited. No license is granted to any other TI intellectual property right or to any third party intellectual property right. TI disclaims responsibility for, and you will fully indemnify TI and its representatives against, any claims, damages, costs, losses, and liabilities arising out of your use of these resources.

TI's products are provided subject to TI's Terms of Sale (<https://www.ti.com/legal/termsofsale.html>) or other applicable terms available either on [ti.com](https://www.ti.com) or provided in conjunction with such TI products. TI's provision of these resources does not expand or otherwise alter TI's applicable warranties or warranty disclaimers for TI products.

Mailing Address: Texas Instruments, Post Office Box 655303, Dallas, Texas 75265
Copyright © 2021, Texas Instruments Incorporated