

BQ2969 Overvoltage Protection for 2-Series, 3-Series, and 4-Series Cell Li-Ion Batteries with Regulated Output Supply

1 Features

- 2-series, 3-series, and 4-series cell overvoltage protection (OVP)
- Factory programmed OVP threshold (3.6V to 5.2V) with $\pm 12\text{mV}$ accuracy
- Fixed delay timer to trigger FET drive output (0.25s to 6.5s options)
- Output pin options:
 - Active high
 - Open-drain - active pulldown
 - Open-drain - inactive pulldown
- Integrated 3mA regulated output programmable to 3.8V, 3.3V, 3.15V, 3.0V, 2.5V, 1.8V, or 1.5V
- Factory programmed undervoltage (UV) detection threshold (1V to 4.15V) to disable regulator
 - OVP remains operational even in undervoltage condition
- Multiple power modes:
 - NORMAL mode - no OV or UV: $I_{CC} \cong 1.23\mu\text{A}$
 - Undervoltage mode - UV detected: $I_{CC} \cong 0.25\mu\text{A}$
 - Overvoltage mode - OV detected: $I_{CC} \cong 19\mu\text{A}$
- Low leakage current per cell input $< 100\text{nA}$
- Small package footprint
 - 8-Pin WSON (2mm \times 2mm)

2 Applications

- [Notebook PC](#)
- [Ultrabooks](#)
- [Portable medical electronics](#)
- [UPS battery backup systems](#)

3 Description

The BQ2969 family is a high-accuracy, low-power overvoltage protector with a 3mA regulated output supply for Li-ion and LiFePO₄ (LFP) battery pack applications.

Each cell in a 2-series to 4-series cell stack is individually monitored for an overvoltage condition. An internally fixed-delay timer is initiated upon detection of an overvoltage condition on any cell. Upon expiration of the delay timer, the output pin is triggered into an active state to indicate that an overvoltage condition has occurred.

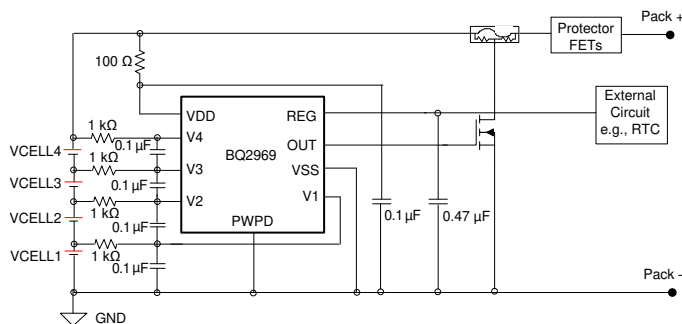
The regulated output supply delivers up to 3mA output current to drive always-on circuits, such as a real-time clock (RTC) oscillator. The BQ2969 family has a self-disable function to turn off the regulated output if any cell voltage falls below a programmable undervoltage threshold, thereby preventing drain on the battery.

The BQ2969 family provides exceptionally low power operation, drawing only 1.23 μA during normal operation (excluding regulator load current), and dropping to 0.25 μA when in an undervoltage condition. Even when in the undervoltage state, the device can still detect an overvoltage condition on any other cell (which can occur in an imbalanced pack) and can assert the output pin.

Device Information

PART NUMBER ⁽¹⁾	PACKAGE	BODY SIZE (NOM)
BQ2969xy	DSG (8-WSON)	2.00mm \times 2.00mm

(1) For all available packages, see the orderable addendum at the end of the data sheet.



Simplified Schematic



Table of Contents

1 Features	1	8 Application and Implementation	13
2 Applications	1	8.1 Application Information.....	13
3 Description	1	8.2 Typical Application.....	13
4 Device Comparison Table	3	9 Power Supply Recommendations	18
5 Pin Configuration and Functions	3	10 Layout	18
6 Specifications	4	10.1 Layout Guidelines.....	18
6.1 Absolute Maximum Ratings.....	4	10.2 Layout Example.....	18
6.2 ESD Ratings.....	4	11 Device and Documentation Support	20
6.3 Recommended Operating Conditions.....	4	11.1 Third-Party Products Disclaimer.....	20
6.4 Thermal Information.....	4	11.2 Receiving Notification of Documentation Updates..	20
6.5 Electrical Characteristics.....	5	11.3 Support Resources.....	20
6.6 Typical Characteristics.....	7	11.4 Trademarks.....	20
7 Detailed Description	8	11.5 Electrostatic Discharge Caution.....	20
7.1 Overview.....	8	11.6 Glossary.....	20
7.2 Functional Block Diagram.....	9	12 Revision History	20
7.3 Feature Description.....	9	13 Mechanical, Packaging, and Orderable	
7.4 Device Functional Modes.....	11	Information	20

4 Device Comparison Table

Table 4-1. BQ2969 Device Options

BQ2969 Device	OVP (V)	OVP DELAY (s)	OVP HYSTERESIS (mV)	UV (V)	LDO (V)	OUT PIN MODE	LATCH OUT
BQ296900	4.65	6.5	300	2.5	3.3	active high	No
BQ296907	4.65	6.5	300	2.5	1.5	active high	No
BQ2969xy ⁽¹⁾	3.6 – 5.2	0.25, 0.5, 1, 2, 3, 4, 5.5, 6.5	150, 300	1 – 4.15	1.5, 1.8, 2.5, 3.0, 3.15, 3.3, 3.8	active high, open-drain active pulldown, open-drain inactive pulldown	Yes, No

(1) PRODUCT PREVIEW. Contact TI for more information.

5 Pin Configuration and Functions

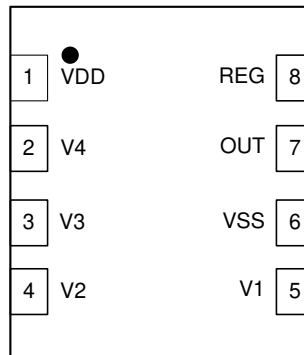


Figure 5-1. 2-Series to 4-Series BQ2969 (Top View)

Table 5-1. Pin Functions

NAME	PIN		TYPE ⁽¹⁾	DESCRIPTION
		BQ2962		
VDD		1	P	Power supply input
V4		2	IA	Sense input for positive voltage of the fourth cell from the bottom of the stack
V3		3	IA	Sense input for positive voltage of the third cell from the bottom of the stack
V2		4	IA	Sense input for positive voltage of the second cell from the bottom of the stack
V1		5	IA	Sense input for positive voltage of the lowest cell from the bottom of the stack
VSS		6	P	Electrically connected to integrated circuit ground and negative terminal of the lowest cell in the stack
OUT		7	OA	Analog output drive for an overvoltage fault signal; CMOS output high or open-drain active pulldown or open-drain inactive pulldown
REG		8	OA	Regulated supply output. Requires an external ceramic capacitor for stability
PWPD		-	P	TI recommends connecting the exposed pad to VSS on PCB.

(1) IA = Analog input, OA = Analog Output, P = Power connection

6 Specifications

6.1 Absolute Maximum Ratings

Over operating free-air temperature range of -40°C to 110°C (unless otherwise noted)⁽¹⁾

PARAMETER		MIN	MAX	UNIT
Supply voltage range	VDD – VSS	-0.3	30	V
	VDD – V4	-0.3	30	V
Input voltage range	V1 – VSS, V2 – VSS, V3 – VSS, V4 – VSS	-0.3	30	V
Output voltage range	REG – VSS	-0.3	5.0	V
Output voltage range	OUT – VSS	-0.3	30	V
Storage temperature, T_{stg}		-65	150	$^{\circ}\text{C}$

- (1) Stresses beyond those listed under *Absolute Maximum Ratings* may cause permanent damage to the device. These are stress ratings only, which do not imply functional operation of the device at these or any other conditions beyond those indicated under *Recommended Operating Conditions*. Exposure to absolute-maximum-rated conditions for extended periods may affect device reliability.

6.2 ESD Ratings

PARAMETER		VALUE	UNIT
$V_{\text{(ESD)}}$	Electrostatic discharge	Human body model (HBM), per ANSI/ESDA/JEDEC JS-001, all pins ⁽¹⁾	2000 V
$V_{\text{(ESD)}}$	Electrostatic discharge	Charged device model (CDM), per JEDEC specification JESD22-C101, all pins ⁽²⁾	500 V

- (1) JEDEC document JEP155 states that 500V HBM allows safe manufacturing with a standard ESD control process.
 (2) JEDEC document JEP157 states that 250V CDM allows safe manufacturing with a standard ESD control process.

6.3 Recommended Operating Conditions

Typical values stated where $T_A = 25^{\circ}\text{C}$ and $V_{\text{DD}} = 15.2\text{V}$, MIN/MAX values stated where $T_A = -40^{\circ}\text{C}$ to 110°C , and $V_{\text{DD}} = 3\text{V}$ to 22V (unless otherwise noted).

PARAMETER		MIN	TYP	MAX	UNIT
Supply voltage, V_{DD}	Supply voltage, V_{DD} (REG $\leq 2.5\text{V}$)	3		22	V
	Supply voltage, V_{DD} (REG $\leq 3.3\text{V}$)	4		22	V
	Supply voltage, V_{DD} (REG $\geq 3.8\text{V}$)	7.5		22	V
	Normal operation, $V_{\text{DD}} - V4$ ⁽¹⁾	-0.2		0.2	V
	Customer test mode, $V_{\text{DD}} - V4$		10		V
Input voltage range	V4 – V3, V3 – V2, V2 – V1, V1 – VSS	0		5.5	V
Operating ambient temperature range, T_A	Operating ambient temperature range, T_A	-40		110	$^{\circ}\text{C}$

- (1) Specified by design

6.4 Thermal Information

THERMAL	THERMAL	BQ2969	UNIT
		SON	UNIT
		(8 PINS)	UNIT
$R_{\theta\text{JA}}$	Junction-to-ambient thermal resistance	80.0	$^{\circ}\text{C}/\text{W}$
$R_{\theta\text{JC(top)}}$	Junction-to-case(top) thermal resistance	102.5	$^{\circ}\text{C}/\text{W}$
$R_{\theta\text{JB}}$	Junction-to-board thermal resistance	46.5	$^{\circ}\text{C}/\text{W}$
Ψ_{JT}	Junction-to-top characterization parameter	6.1	$^{\circ}\text{C}/\text{W}$
Ψ_{JB}	Junction-to-board characterization parameter	46.5	$^{\circ}\text{C}/\text{W}$
$R_{\theta\text{JC(bottom)}}$	Junction-to-case(bottom) thermal resistance	22.7	$^{\circ}\text{C}/\text{W}$

6.5 Electrical Characteristics

Typical values stated where $T_A = 25^\circ\text{C}$ and $V_{DD} = 15.2\text{V}$, MIN/MAX values stated where $T_A = -40^\circ\text{C}$ to 110°C , and $V_{DD} = 3\text{V}$ to 22V (unless otherwise noted).

PARAMETER	PARAMETER	TEST CONDITIONS	MIN	TYP	MAX	UNIT
Voltage Protection Thresholds						
V_{OV}	$V_{(PROTECT)}$ Overvoltage Detection	$R_{IN} = 1\text{k}\Omega$	Applicable Voltage: 3.6V to 5.2V			V
V_{OVHYST}	OV Detection Hysteresis	Nominal setting of 150mV	100	150	200	mV
		Nominal setting of 300mV	250	300	350	mV
V_{OA}	OV Detection Accuracy	$T_A = 25^\circ\text{C}$	-12		12	mV
$V_{OADRIFT}$	OV Detection Accuracy Across Temperature ⁽¹⁾	$T_A = -40^\circ\text{C}$	-40		40	mV
		$T_A = -10^\circ\text{C}$	-22		22	mV
		$T_A = 55^\circ\text{C}$	-24		24	mV
		$T_A = 85^\circ\text{C}$	-37		37	mV
		$T_A = 110^\circ\text{C}$	-50		50	mV
Supply and Leakage Current						
I_{DD}	Supply Current in NORMAL mode	$(V_n - V_{n-1}) = (V1 - V_{SS}) = 3.8\text{V}$, $n = 2, 3, 4$, $V_{DD} = 15.2\text{V}$, $I_{REG} = 0\text{mA}$, $T_A = -10^\circ\text{C}$ to 60°C		1.23	2	μA
		$(V_n - V_{n-1}) = (V1 - V_{SS}) = 3.8\text{V}$, $n = 2, 3, 4$, $V_{DD} = 15.2\text{V}$, $I_{REG} = 0\text{mA}$, $T_A = -40^\circ\text{C}$ to 110°C			2.5	μA
	Supply Current in UV	$(V_n - V_{n-1}) = 3.8\text{V}$, $n = 2, 3, 4$, and $V_{UVQUAL} < (V1 - V_{SS}) < V_{UVREG}$, $V_{DD} = 11.4\text{V}$, $T_A = -10^\circ\text{C}$ to 60°C		0.25	0.5	μA
		$(V_n - V_{n-1}) = 3.8\text{V}$, $n = 2, 3, 4$, and $V_{UVQUAL} < (V1 - V_{SS}) < V_{UVREG}$, $V_{DD} = 11.4\text{V}$, $T_A = -40^\circ\text{C}$ to 110°C			0.7	μA
	Supply Current in OV	$(V_n - V_{n-1}) = 3.8\text{V}$, $n = 2, 3, 4$, and $V_{OV} < (V1 - V_{SS})$, $V_{DD} = 15.2\text{V}$, $T_A = -40^\circ\text{C}$ to 110°C		19	30	μA
I_{IN}	Input Current at V_n Pins	$(V_n - V_{n-1}) = (V1 - V_{SS}) = 3.8\text{V}$, $n = 2, 3, 4$, $V_{DD} = 15.2\text{V}$, $T_A = 25^\circ\text{C}$	-0.1		0.1	μA
Input Voltage						
OUT Pin Driver						
V_{OUT}	Output Drive Voltage	OUT pin configured in active high mode, $(V_n - V_{n-1})$ or $(V1 - V_{SS}) > V_{OV}$, $n = 2, 3, 4$, $I_{OH} = 100\mu\text{A}$, $V_{DD} \geq 7.5\text{V}$	5.5		8	V
		OUT pin configured in active high mode, $(V_n - V_{n-1})$ or $(V1 - V_{SS}) > V_{OV}$, $n = 2, 3, 4$, $I_{OH} = 100\mu\text{A}$, $3\text{V} < V_{DD} < 7.5\text{V}$	$V_{DD} - 1.5$	$V_{DD} - 1.1$	V_{DD}	V
		OUT pin configured in active high mode, $(V_n - V_{n-1})$ and $(V1 - V_{SS}) < V_{OV}$, $n = 2, 3, 4$, $I_{OL} = 100\mu\text{A}$ flowing into OUT pin.		190	400	mV
I_{OUTH}	OUT Source Current (during OV)	OUT pin configured in active high mode, $(V_n - V_{n-1})$ or $(V1 - V_{SS}) > V_{OV}$, $n = 2, 3, 4$, $OUT = 0\text{V}$, current measured sourced from OUT pin.	0.6		5.2	mA
I_{OUTL}	OUT Sink Current	OUT pin configured in active high, open-drain active pulldown, or open-drain inactive pulldown. Device output in pulldown state, OUT driven to 0.5V, current measured into OUT pin.	0.2		4	mA
OV Delay Timer						
t_{DELAY}	OV Delay Time ⁽²⁾	Internal fixed delay, 0.25 second delay option ⁽³⁾	0.14	0.25	0.38	s
		Internal fixed delay, 0.5 second delay option ⁽³⁾	0.34	0.5	0.68	s
		Internal fixed delay, 1 second delay option ⁽³⁾	0.74	1	1.28	s
		Internal fixed delay, 2 second delay option ⁽³⁾	1.54	2	2.48	s
		Internal fixed delay, 3 second delay option ⁽³⁾	2.4	3	3.6	s
		Internal fixed delay, 4 second delay option ⁽³⁾	3.2	4	4.8	s
		Internal fixed delay, 5.5 second delay option ⁽³⁾	4.4	5.5	6.6	s
		Internal fixed delay, 6.5 second delay option ⁽³⁾	5.2	6.5	7.8	s
t_{DELAY_CTM}	OV Delay Time in Test Mode	Internal fixed delay		15		ms

Typical values stated where $T_A = 25^\circ\text{C}$ and $V_{DD} = 15.2\text{V}$, MIN/MAX values stated where $T_A = -40^\circ\text{C}$ to 110°C , and $V_{DD} = 3\text{V}$ to 22V (unless otherwise noted).

PARAMETER	PARAMETER	TEST CONDITIONS	MIN	TYP	MAX	UNIT
$t_{\text{DELAY_RESET}}$	OV Delay Reset Time	With one cell voltage above V_{OV} , others cells below V_{OV} , minimum time the high cell voltage must fall below $V_{\text{OV}} - V_{\text{OVHYS}}$ to reset OV Delay Timer ⁽³⁾	0.1			ms
Regulated Supply Output, REG						
V_{REG}	REG Supply	$V_{\text{DD}} \geq 7.5\text{V}$, $I_{\text{REG}} = 10\mu\text{A}$, $C_{\text{REG}} = 0.47\mu\text{F}$, $V_{\text{REG}} = 3.8\text{V}$, $T_A = 25^\circ\text{C}$	3.724	3.8	3.876	V
		$V_{\text{DD}} \geq 4\text{V}$, $I_{\text{REG}} = 10\mu\text{A}$, $C_{\text{REG}} = 0.47\mu\text{F}$, $V_{\text{REG}} = 3.3\text{V}$, $T_A = 25^\circ\text{C}$	3.234	3.3	3.366	V
		$V_{\text{DD}} \geq 4\text{V}$, $I_{\text{REG}} = 10\mu\text{A}$, $C_{\text{REG}} = 0.47\mu\text{F}$, $V_{\text{REG}} = 3.15\text{V}$, $T_A = 25^\circ\text{C}$	3.087	3.15	3.213	V
		$V_{\text{DD}} \geq 4\text{V}$, $I_{\text{REG}} = 10\mu\text{A}$, $C_{\text{REG}} = 0.47\mu\text{F}$, $V_{\text{REG}} = 3.0\text{V}$, $T_A = 25^\circ\text{C}$	2.94	3.0	3.06	V
		$V_{\text{DD}} \geq 3\text{V}$, $I_{\text{REG}} = 10\mu\text{A}$, $C_{\text{REG}} = 0.47\mu\text{F}$, $V_{\text{REG}} = 2.5\text{V}$, $T_A = 25^\circ\text{C}$	2.45	2.5	2.55	V
		$V_{\text{DD}} \geq 3\text{V}$, $I_{\text{REG}} = 10\mu\text{A}$, $C_{\text{REG}} = 0.47\mu\text{F}$, $V_{\text{REG}} = 1.8\text{V}$, $T_A = 25^\circ\text{C}$	1.764	1.8	1.836	V
		$V_{\text{DD}} \geq 3\text{V}$, $I_{\text{REG}} = 10\mu\text{A}$, $C_{\text{REG}} = 0.47\mu\text{F}$, $V_{\text{REG}} = 1.5\text{V}$, $T_A = 25^\circ\text{C}$	1.470	1.5	1.530	V
V_{REG}	REG Supply	$V_{\text{DD}} \geq 7.5\text{V}$, $I_{\text{REG}} = 3\text{mA}$, $C_{\text{REG}} = 0.47\mu\text{F}$, $V_{\text{REG}} = 3.8\text{V}$	3.58	3.8	3.88	V
		$V_{\text{DD}} \geq 4\text{V}$, $I_{\text{REG}} = 3\text{mA}$, $C_{\text{REG}} = 0.47\mu\text{F}$, $V_{\text{REG}} = 3.3\text{V}$	3.12	3.3	3.39	V
		$V_{\text{DD}} \geq 4\text{V}$, $I_{\text{REG}} = 3\text{mA}$, $C_{\text{REG}} = 0.47\mu\text{F}$, $V_{\text{REG}} = 3.15\text{V}$	2.98	3.15	3.23	V
		$V_{\text{DD}} \geq 4\text{V}$, $I_{\text{REG}} = 3\text{mA}$, $C_{\text{REG}} = 0.47\mu\text{F}$, $V_{\text{REG}} = 3.0\text{V}$	2.84	3.0	3.08	V
		$V_{\text{DD}} \geq 3\text{V}$, $I_{\text{REG}} = 3\text{mA}$, $C_{\text{REG}} = 0.47\mu\text{F}$, $V_{\text{REG}} = 2.5\text{V}$	2.35	2.5	2.57	V
		$V_{\text{DD}} \geq 3\text{V}$, $I_{\text{REG}} = 3\text{mA}$, $C_{\text{REG}} = 0.47\mu\text{F}$, $V_{\text{REG}} = 1.8\text{V}$	1.70	1.8	1.85	V
		$V_{\text{DD}} \geq 3\text{V}$, $I_{\text{REG}} = 3\text{mA}$, $C_{\text{REG}} = 0.47\mu\text{F}$, $V_{\text{REG}} = 1.5\text{V}$	1.42	1.5	1.56	V
$I_{\text{REG_SC_Limit}}$	REG Output Short Circuit Current Limit	$\text{REG} = V_{\text{SS}}$, $C_{\text{REG}} = 0.47\mu\text{F}$	3.2		25	mA
$R_{\text{REG_PD}}$	REG pull-down resistor	Activated when REG is disabled	20	30	40	k Ω
Regulated Supply Undervoltage Self-disable						
V_{UVREG}	Undervoltage detection accuracy	Factory Configuration: 1.0V to 4.15V in 50mV steps, $T_A = 25^\circ\text{C}$	-50		50	mV
V_{UVHYS}	Undervoltage detection hysteresis		250	300	350	mV
t_{UVDELAY}	Undervoltage detection delay ⁽³⁾		5.2	6.5	7.8	s
V_{UVQUAL}	Cell voltage to qualify for UV detection		0.45	0.5	0.55	V

- (1) Specified by a combination of characterization and production test
- (2) Delay values specified when transitioning from NORMAL mode to OVERVOLTAGE mode. While device is in UNDERVOLTAGE mode, the delay can increase by a value between 0 and 1.2 seconds.
- (3) Specified by a combination of design and production test

6.6 Typical Characteristics

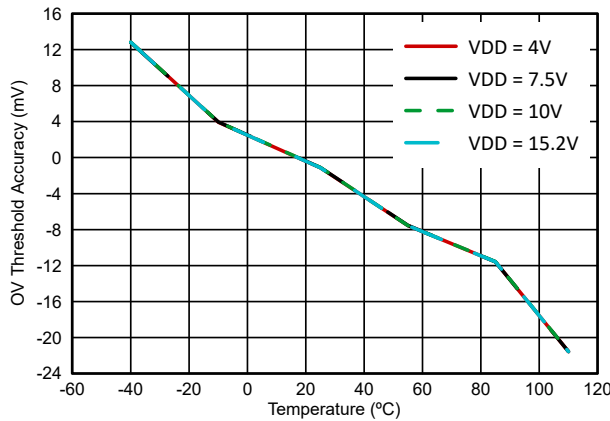


Figure 6-1. Overvoltage Threshold Accuracy vs. Temperature

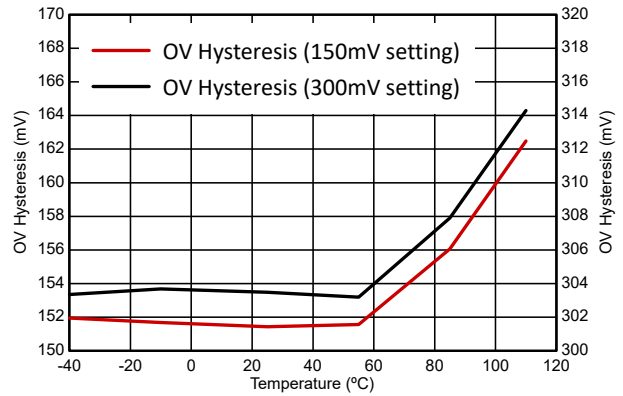


Figure 6-2. Overvoltage Hysteresis vs. Temperature

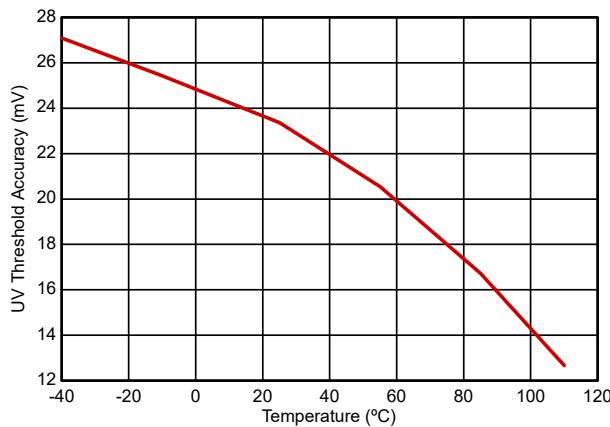


Figure 6-3. Undervoltage Threshold Accuracy vs. Temperature

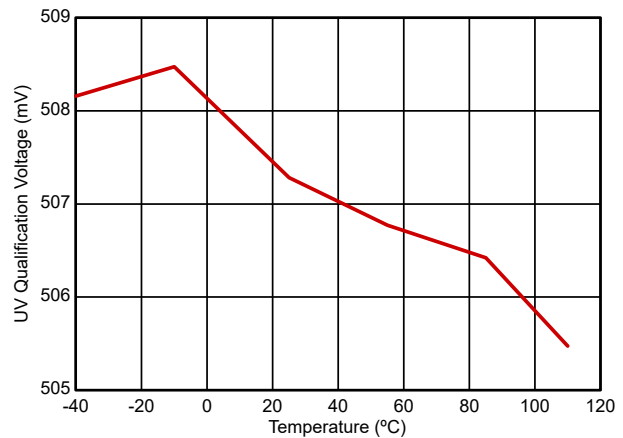


Figure 6-4. Undervoltage Qualification Voltage vs. Temperature

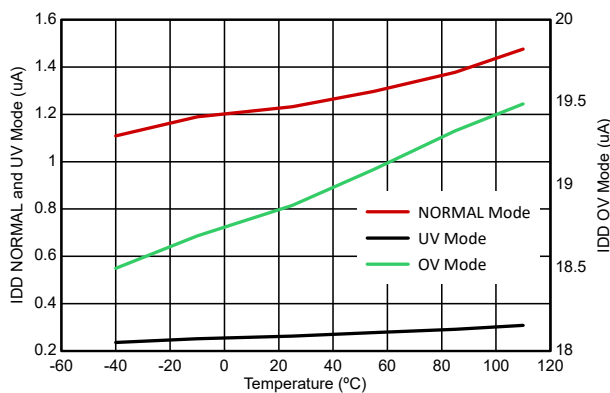


Figure 6-5. I_{DD} vs. Temperature

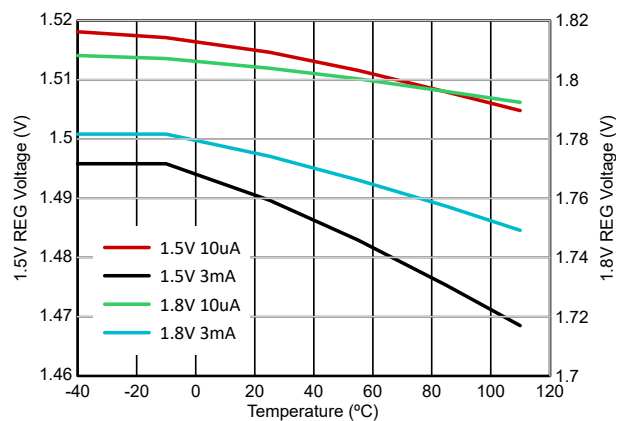


Figure 6-6. Regulator Output vs. Temperature, 1.5V and 1.8V Settings

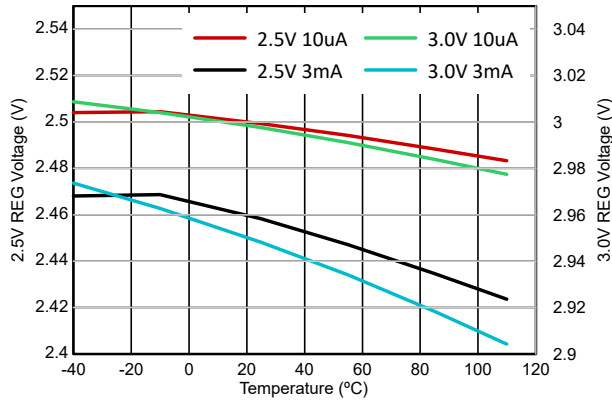


Figure 6-7. Regulator Output vs. Temperature, 2.5V and 3.0V Settings

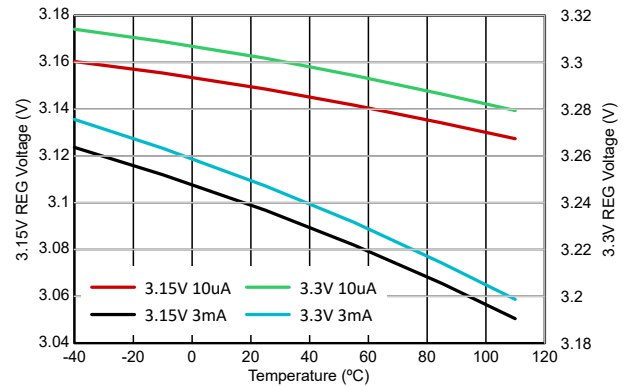


Figure 6-8. Regulator Output vs. Temperature, 3.15V and 3.3V Settings

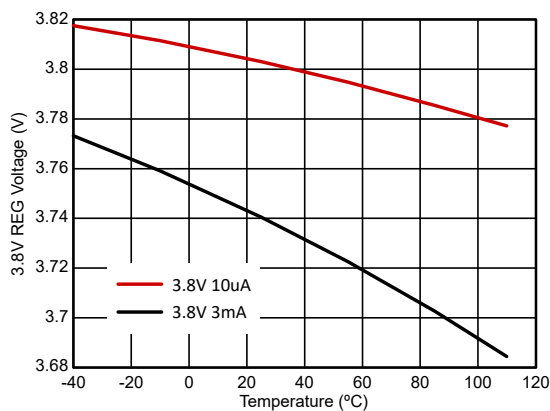


Figure 6-9. Regulator Output vs. Temperature, 3.8V Setting

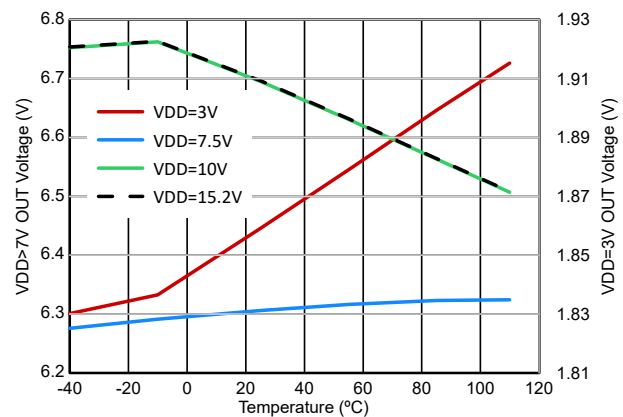


Figure 6-10. V_{OUT} vs Temperature, with 100 μ A Load Current on OUT

7 Detailed Description

7.1 Overview

The BQ2969 family is a high-accuracy, low-power second-level overvoltage protector with a 3mA regulated output supply for Li-ion and LiFePO₄ (LFP) battery pack applications.

Each cell in a 2-series to 4-series cell stack is individually monitored for an overvoltage condition by comparing the actual cell voltage to an overvoltage threshold V_{OV} . The overvoltage threshold is preprogrammed at the factory with a range between 3.6V to 5.2V. The device initiates an internal fixed-delay timer when an overvoltage condition is detected on any cell. Upon expiration of the delay timer, the output pin is triggered into an active state to indicate that an overvoltage condition has occurred. The output pin can be configured to be active-high, open-drain active pulldown, or open-drain inactive pulldown. The device recovers from the overvoltage condition when all cell voltages are detected below the overvoltage threshold by a hysteresis level, which can be programmed to 150mV or 300mV. Alternatively, the output pin can be programmed to latch and not recover whenever it is activated.

The regulated output supply is programmable from 1.5V to 3.8V and delivers up to 3mA output current to drive always-on circuits, such as a real-time clock (RTC) oscillator. The BQ2969 family has a self-disable function to turn off the regulated output if any cell voltage falls below a programmable undervoltage threshold, thereby preventing drain on the battery. This undervoltage threshold can be programmed over a range from 1V to 4.15V.

The BQ2969 family provides extremely low power operation, drawing only 1.23 μ A during normal operation (excluding regulator load current), and dropping to 0.25 μ A when in an undervoltage condition. Even when in the

undervoltage state, the device still monitors cell voltages and can detect an overvoltage condition on any other cell (which can occur in an imbalanced pack) and assert the output pin.

Table 7-1. Programmable Parameters

OVERVOLTAGE RANGE (V)	OVERVOLTAGE DELAY (s)	OVERVOLTAGE HYSTERESIS (mV)	UNDERVOLTAGE RANGE (V)	OUT PIN MODE	LATCHED OUT	REGULATOR (V)
3.6 to 5.2 in 1mV steps	0.25, 0.5, 1, 2, 3, 4, 5.5, 6.5	150, 300	1.0 to 4.15 in 50mV steps	active high, open-drain active pulldown, open-drain inactive pulldown	yes, no	1.5, 1.8, 2.5, 3.0, 3.15, 3.3, 3.8

7.2 Functional Block Diagram

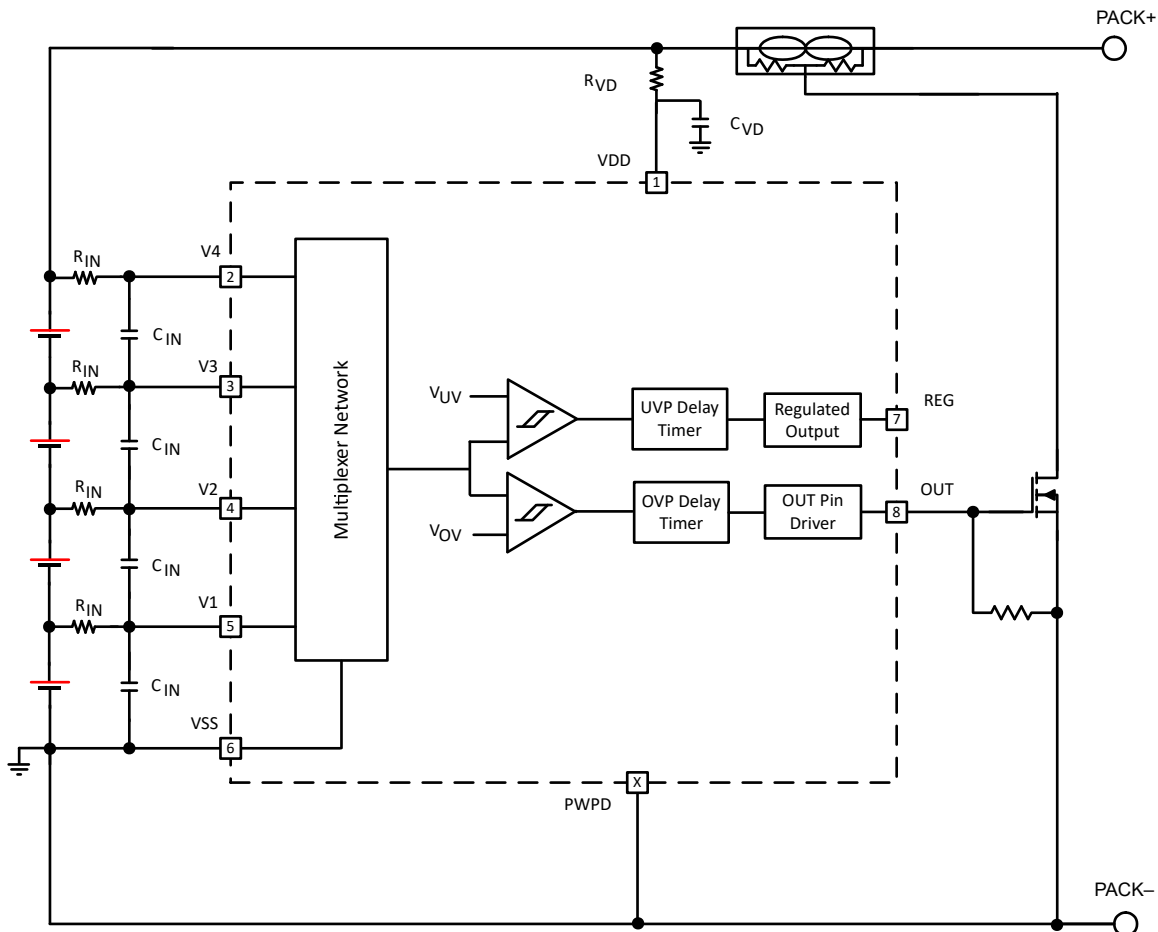


Figure 7-1. BQ2969 Block Diagram

7.3 Feature Description

7.3.1 Pin Details

7.3.1.1 Input Sense Voltage, V_x

These inputs sense each battery cell voltage. A series resistor and a capacitor across the cell for each input is required for noise filtering and stable voltage monitoring.

7.3.1.2 Output Drive, OUT

This terminal serves as the fault signal output whenever an overvoltage condition on any cell is detected. The pin can be configured as active high, open-drain active pulldown, or open-drain inactive pulldown. The pin can also be programmed to latch asserted when an overvoltage condition occurs, or to recover after the maximum cell voltage drops 150mV or 300mV below the overvoltage threshold.

7.3.1.3 Supply Input, VDD

This terminal is the unregulated input power source for the device. A series resistor is connected to limit the current, and a capacitor is connected to ground for noise filtering.

7.3.1.4 Regulated Supply Output, REG

The BQ2969 provides a regulated supply on the REG pin, which can be used to power external circuitry such as a real-time clock or other function. The REG output includes current limit protection circuit and also detects and protects for excessive power dissipation due to short circuit of the external load. This pin requires a ceramic 0.47µF capacitor connection to VSS for stability, noise immunity, and ESD performance of the supply output. This capacitor must be placed close to the REG and VSS pins for connection.

7.3.2 Overvoltage Sensing for OUT

Each cell in the BQ2969 device is monitored independently for an overvoltage condition. Overvoltage is detected by comparing the actual cell voltage to a protection voltage reference, V_{OV} . If any cell voltage exceeds the programmed V_{OV} value, an internal timer circuit is activated. After the timer completes a fixed, pre-programmed delay, the OUT pin transitions from an inactive state to the active state.

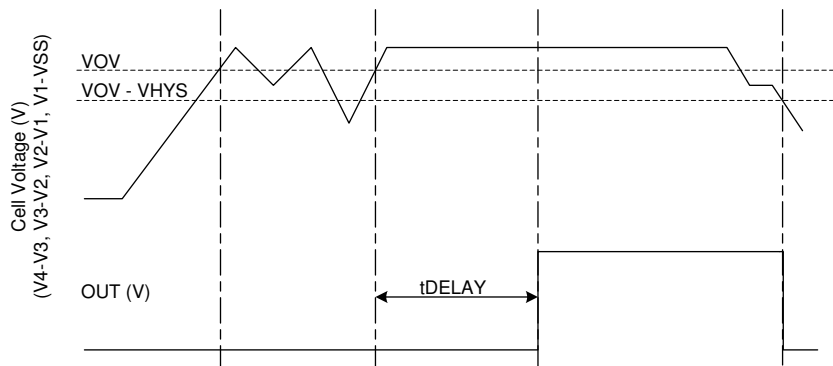


Figure 7-2. Timing for Overvoltage Sensing for OUT

7.3.3 Regulator Output Voltage

At power up, the regulator output in the BQ2969 is on by default. If any cell voltage is below V_{UVREG} at device power up, the regulator output remains on until the $t_{UVDELAY}$ time has passed, then the device disables the regulator output.

During discharge, if any cell voltage falls below the V_{UVREG} threshold for $t_{UVDELAY}$ time, the regulator output is self-disabled. The regulator output turns on again when all the cell voltages are above $V_{UVREG} + V_{UVHYS}$.

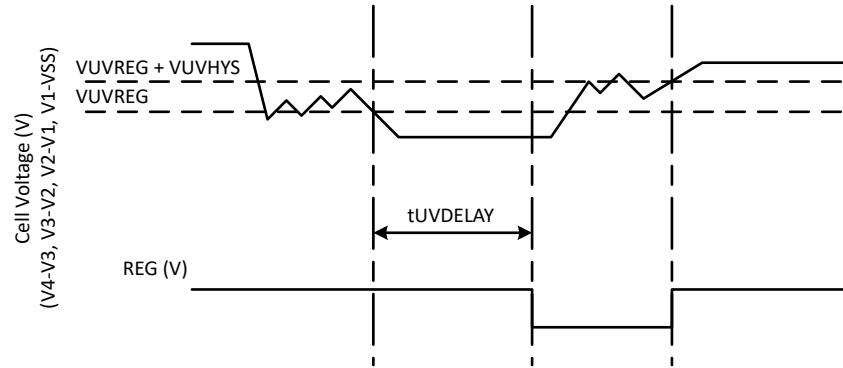


Figure 7-3. REG Output Timing

7.4 Device Functional Modes

7.4.1 NORMAL Mode

When all of the cell voltages are below the V_{OV} threshold AND above the V_{UVREG} threshold, the device operates in NORMAL mode. The device regularly monitors the differential cell voltages connected across (V1–VSS), (V2–V1), (V3–V2), and (V4–V3). The OUT pin is inactive in this mode, and the regulated output is enabled.

7.4.2 OVERVOLTAGE Mode

OVERVOLTAGE mode is detected if any of the cell voltages exceed the overvoltage threshold, V_{OV} , for a configured OV delay time. The OUT pin is activated after a delay time pre-programmed at the factory. This pin is typically used to then enable an external FET and blow a fuse to disable the pack. When all of the cell voltages fall below ($V_{OV} - V_{HYS}$) and remain above the V_{UVREG} threshold, the device returns to NORMAL mode if the output is not configured to latch when asserted. The regulated output remains enabled in this mode if all cell voltages are above V_{UVREG} .

7.4.3 UNDERVOLTAGE Mode

The UNDERVOLTAGE mode is detected if any of the cell voltage across (V1–VSS), (V2–V1), (V3–V2), or (V4–V3) is below the V_{UVREG} threshold for $t_{UVDELAY}$ time. In this mode, the regulated output is disabled. To return to NORMAL mode, all the cell voltages must be above ($V_{UVREG} + V_{UVHYS}$) and below V_{OV} .

If the device is used in a system with fewer than 4 cells, V_n pin can be shorted to the (V_{n-1}) pin. The device ignores any differential cell voltage below the V_{UVQUAL} threshold for undervoltage detection.

Even when in the UNDERVOLTAGE mode, the device continues to regularly monitor each cell voltage, checking if any cell voltage exceeds the V_{OV} threshold. If a condition occurs whereby a cell voltage is above V_{OV} and another cell voltage is below V_{UVREG} , such as can happen in a heavily imbalanced pack, then the OUT pin is activated and the regulator is disabled.

7.4.4 CUSTOMER TEST MODE

The Customer Test Mode (CTM) helps to reduce test time for checking the overvoltage delay-timer parameter once the circuit is implemented into the battery pack. To enter CTM, the VDD pin must be set at approximately 10V higher than V4 (see Figure 7-4). In this mode, the overvoltage delay timer is reduced to approximately 20ms, considerably shorter than the timer delay in normal operation. To exit CTM, reduce the VDD voltage back to the voltage of V4, which causes the device to exit this mode.

CAUTION

Avoid exceeding any Absolute Maximum Voltages on any pins when placing the device into CTM. Stressing the pins beyond the rated limits can cause permanent damage to the device.

Figure 7-4 shows the timing for the Customer Test Mode.

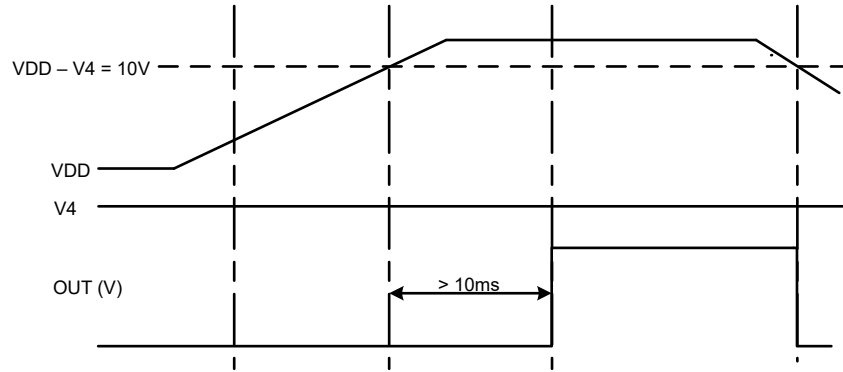


Figure 7-4. Timing for Customer Test Mode

Figure 7-5 shows the measurement for current consumption of the product for VDD and the cell input pins.

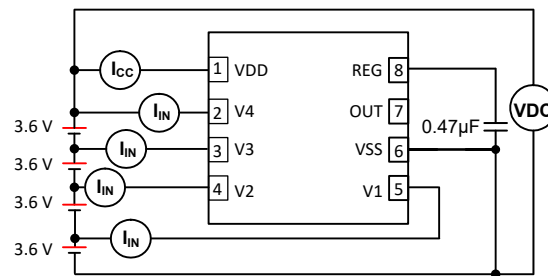


Figure 7-5. Configuration for Integrated Circuit Current Consumption Test

8 Application and Implementation

Note

Information in the following applications sections is not part of the TI component specification, and TI does not warrant its accuracy or completeness. TI's customers are responsible for determining suitability of components for their purposes. Customers should validate and test their design implementation to confirm system functionality.

8.1 Application Information

The BQ2969 family of second-level protectors is used for overvoltage protection of the battery pack in the application. A regulated output is available to drive local external circuitry. The device OUT pin can be configured in one of 3 drive types and is asserted whenever the device enters the overvoltage mode. The pin is typically used to drive an NMOS FET that blows a fuse in the event of a fault condition, thereby disconnecting the pack power path.

8.2 Typical Application

Figure 8-1 shows a simplified application schematic using the BQ2969 together with the associated passive components and external NFET to flow a high-side fuse.

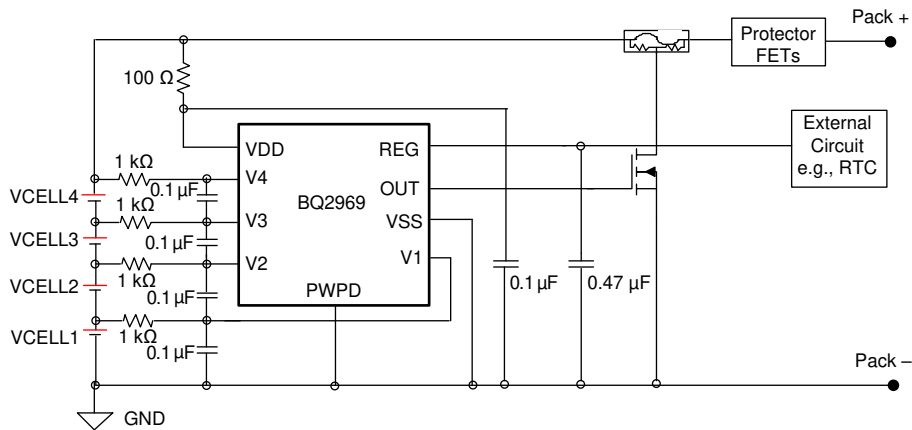


Figure 8-1. BQ2969 4-Series Cell Typical Implementation (Simplified Schematic)

A full schematic of a basic circuit based on the BQ2969 for a 4-series battery pack evaluation module is shown below. Figure 10-1 and Figure 10-2 show the board layout for this design.

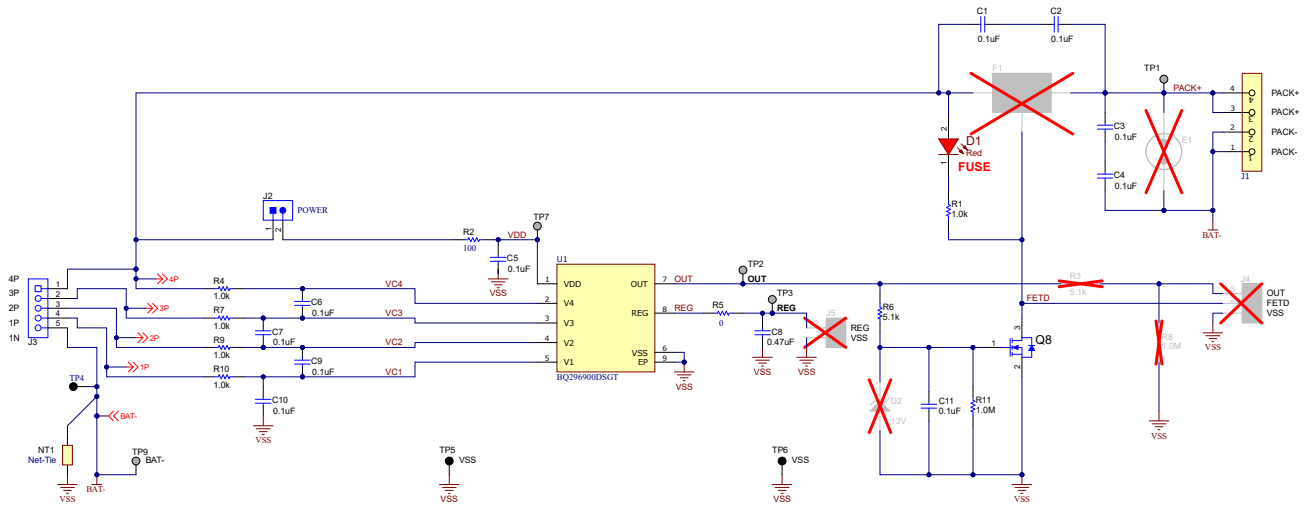


Figure 8-2. BQ2969 4-Series Cell Schematic Diagram - Protector and Fuse Blow Circuitry

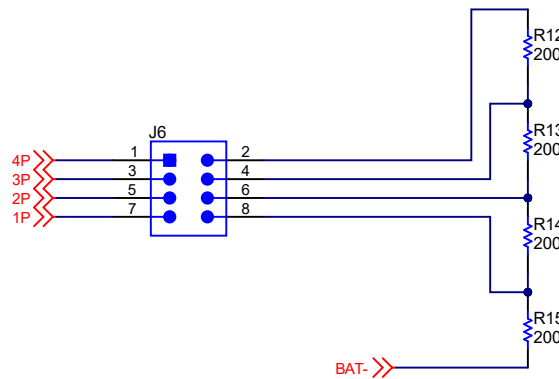


Figure 8-3. BQ2969 4-Series Cell Schematic Diagram - Cell Simulator Circuitry

8.2.1 Design Requirements

Note

Changes to the ranges shown in Table 8-1 can impact the accuracy of the cell measurements.

Table 8-1. Parameters

PARAMETER	EXTERNAL COMPONENT	MIN	NOM	MAX	UNIT
Voltage monitor filter resistance	R_{IN}	900	1000	4700	Ω
Voltage monitor filter capacitance	C_{IN}	0.01	0.1	1.0	μF
Supply voltage filter resistance	R_{VD}	100	—	1000	Ω
Supply voltage filter capacitance	C_{VD}	—	0.1	1.0	μF
REG output capacitance	C_{REG}	0.47	1	—	μF

Note

The device is calibrated using an R_{IN} value = 1000 Ω . Using a value other than the recommended value changes the accuracy of the cell voltage measurements and V_{OV} trigger level.

8.2.2 Detailed Design Procedure

1. The device allows a random cell connection to the VSS, V1, V2, V3, and V4 pins. The device does not require VSS to be connected first and does not require cells to be connected in a particular order.
2. If fewer than 4 cells are used, then an unused cell input pin V_n must be shorted to the next lower cell input pin (V_{n-1}).
3. The cell input capacitors, the supply pin capacitor, and the REG output capacitor are recommended to be placed close to the device, minimizing trace length on the PCB.

8.2.3 Application Curves

The scope plots below show the response of the device transitioning among the different states. Figure 8-4 shows the device detecting an overvoltage event and asserting the OUT pin to blow an external fuse after the overvoltage delay period. Figure 8-5 displays the device recovering from the overvoltage event when all cell voltages have fallen below the overvoltage threshold by the required hysteresis level, and the OUT pin deasserting. Figure 8-6 shows the device detecting an undervoltage condition and disabling the REG LDO output after the undervoltage delay period. Figure 8-7 then depicts the device recovering from the undervoltage condition and re-enabling the REG LDO when all cell voltages have risen above the undervoltage threshold by the required hysteresis level.

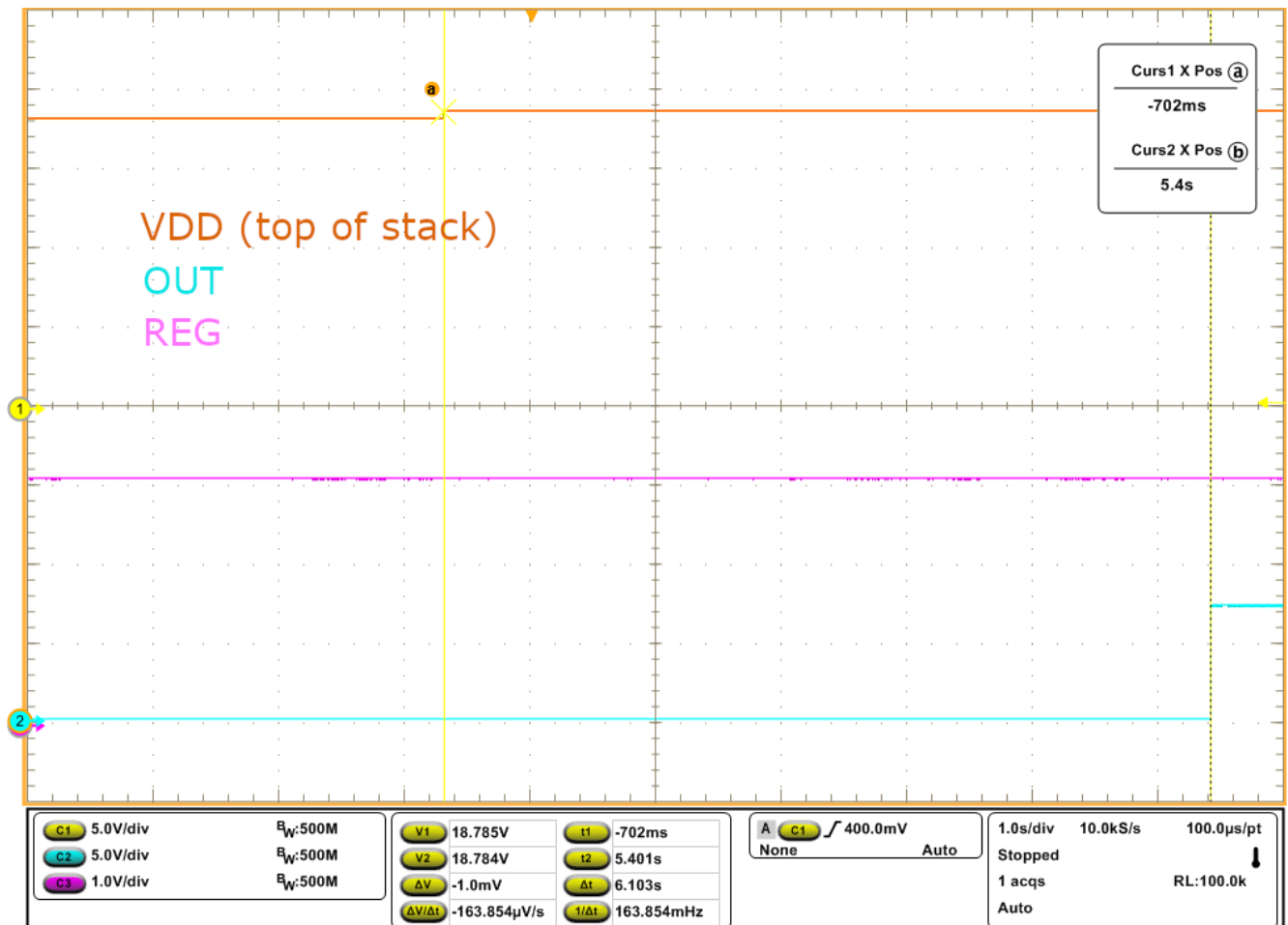


Figure 8-4. Overvoltage Protection Triggering

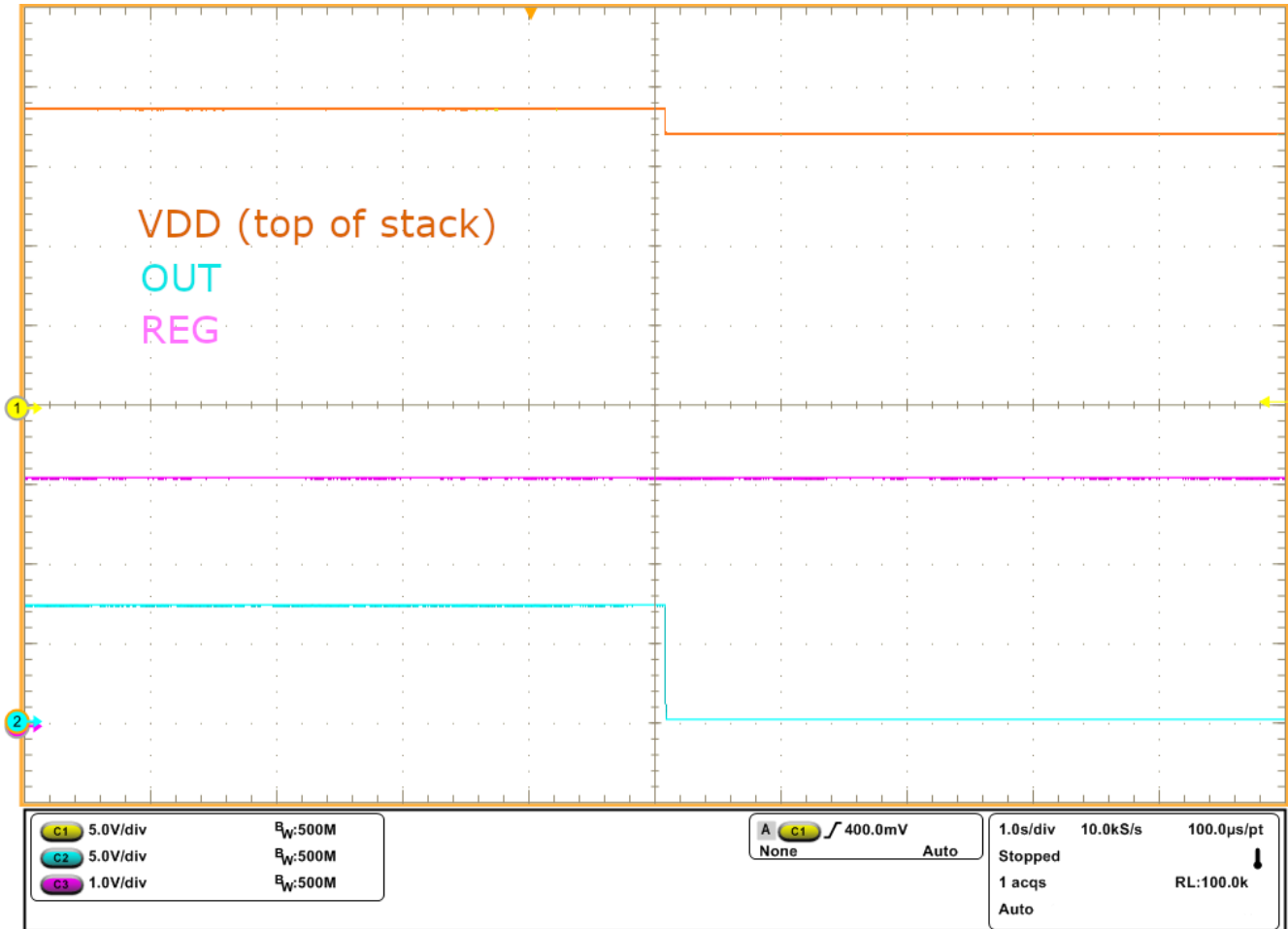


Figure 8-5. Overvoltage Protection Recovery

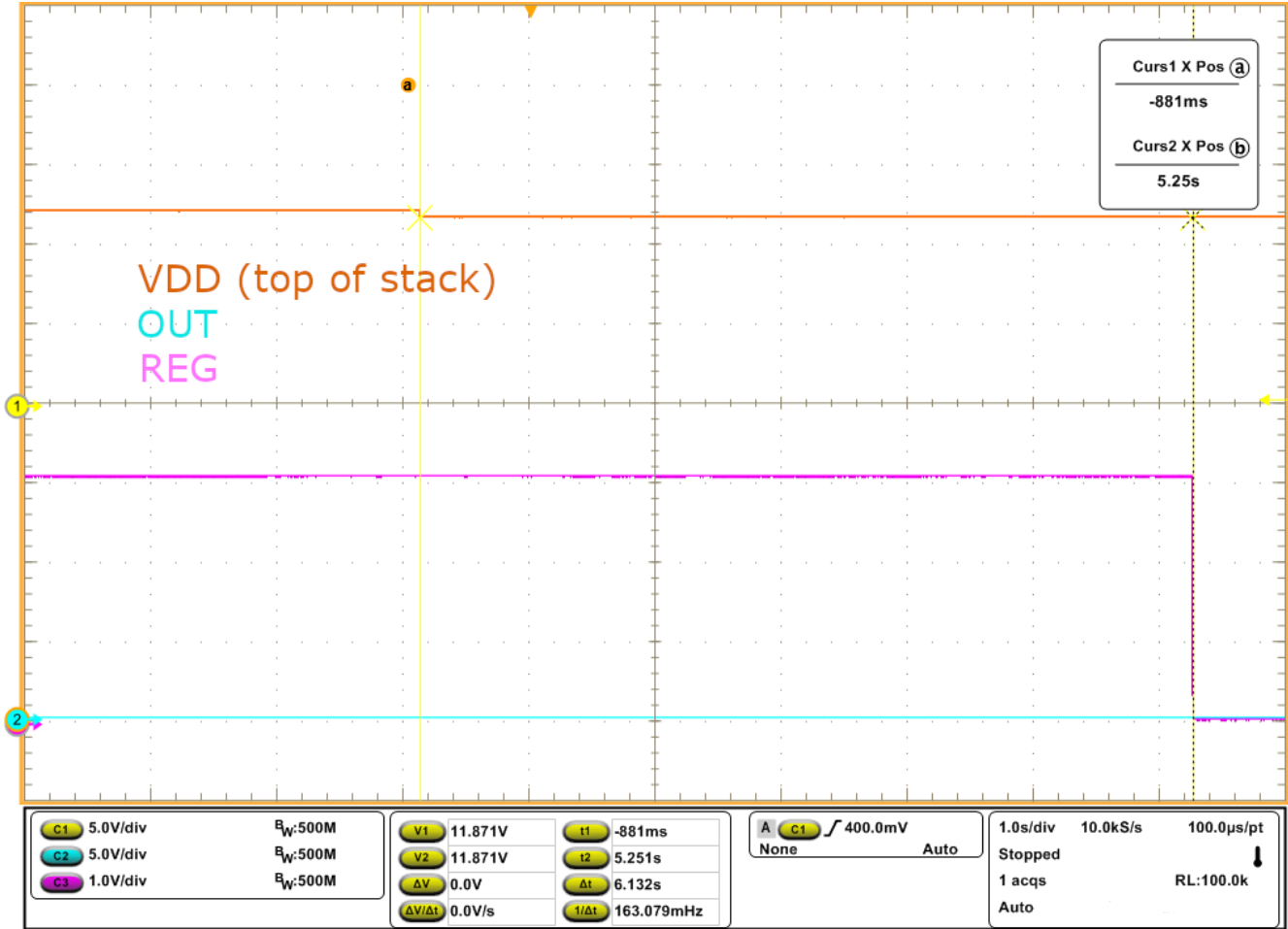


Figure 8-6. Undervoltage Detection to Disable the Regulator

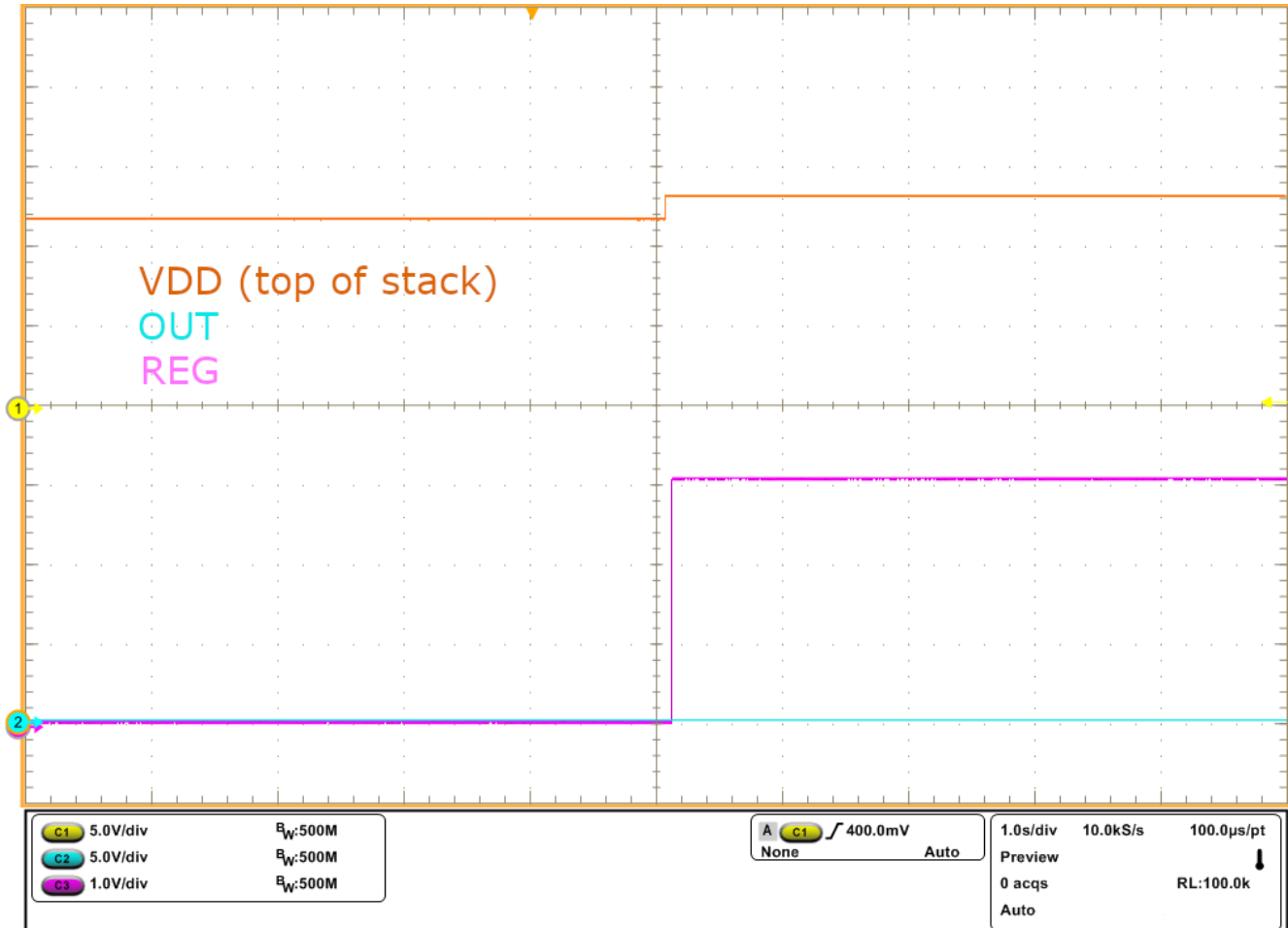


Figure 8-7. Undervoltage Recovery to Re-enable the Regulator

9 Power Supply Recommendations

Connect a series resistor between the top of the cell stack and the VDD pin on the BQ2969. Connect a capacitor between the VDD and VSS pins on the device, positioned close to the pins on the PCB. Connect the VSS pin to the bottom of the cell stack.

10 Layout

10.1 Layout Guidelines

Use the following layout guidelines:

1. Ensure the RC filters for the cell input pins (V4, V3, V2, V1, VSS) and VDD pin are placed as close as possible to the target pin, reducing the tracing loop area.
2. Place the regulator output capacitor between REG and VSS, keeping the capacitor close to the device pins.
3. Ensure the trace connecting the fuse through the NFET to the Pack– is sufficient to withstand the expected current during a fuse blow event.

10.2 Layout Example

An example circuit layout using the BQ2969 device in a 4-series cell design is described below in [Figure 10-1](#) and [Figure 10-2](#). The design implements the schematic shown in [Figure 8-2](#) and [Figure 8-3](#), and uses a 2-layer circuit card assembly with cell connections on the left edge and pack connections on the right edge of the board.

11 Device and Documentation Support

11.1 Third-Party Products Disclaimer

TI'S PUBLICATION OF INFORMATION REGARDING THIRD-PARTY PRODUCTS OR SERVICES DOES NOT CONSTITUTE AN ENDORSEMENT REGARDING THE SUITABILITY OF SUCH PRODUCTS OR SERVICES OR A WARRANTY, REPRESENTATION OR ENDORSEMENT OF SUCH PRODUCTS OR SERVICES, EITHER ALONE OR IN COMBINATION WITH ANY TI PRODUCT OR SERVICE.

11.2 Receiving Notification of Documentation Updates

To receive notification of documentation updates, navigate to the device product folder on ti.com. In the upper right corner, click on *Alert me* to register and receive a weekly digest of any product information that has changed. For change details, review the revision history included in any revised document.

11.3 Support Resources

TI E2E™ [support forums](#) are an engineer's go-to source for fast, verified answers and design help — straight from the experts. Search existing answers or ask your own question to get the quick design help you need.

Linked content is provided "AS IS" by the respective contributors. They do not constitute TI specifications and do not necessarily reflect TI's views; see TI's [Terms of Use](#).

11.4 Trademarks

TI E2E™ is a trademark of Texas Instruments.
All trademarks are the property of their respective owners.

11.5 Electrostatic Discharge Caution



This integrated circuit can be damaged by ESD. Texas Instruments recommends that all integrated circuits be handled with appropriate precautions. Failure to observe proper handling and installation procedures can cause damage.

ESD damage can range from subtle performance degradation to complete device failure. Precision integrated circuits may be more susceptible to damage because very small parametric changes could cause the device not to meet its published specifications.

11.6 Glossary

[TI Glossary](#) This glossary lists and explains terms, acronyms, and definitions.

12 Revision History

NOTE: Page numbers for previous revisions may differ from page numbers in the current version.

DATE	REVISION	NOTES
August 2024	*	Initial Release

13 Mechanical, Packaging, and Orderable Information

The following pages include mechanical, packaging, and orderable information. This information is the most current data available for the designated devices. This data is subject to change without notice and revision of this document. For browser-based versions of this data sheet, refer to the left-hand navigation.

PACKAGING INFORMATION

Orderable Device	Status (1)	Package Type	Package Drawing	Pins	Package Qty	Eco Plan (2)	Lead finish/ Ball material (6)	MSL Peak Temp (3)	Op Temp (°C)	Device Marking (4/5)	Samples
BQ296900DSGR	ACTIVE	WSON	DSG	8	3000	RoHS & Green	NIPDAU	Level-1-260C-UNLIM	-40 to 105	6900	Samples
BQ296907DSGR	ACTIVE	WSON	DSG	8	3000	RoHS & Green	NIPDAU	Level-1-260C-UNLIM	-40 to 105	6907	Samples

(1) The marketing status values are defined as follows:

ACTIVE: Product device recommended for new designs.

LIFEBUY: TI has announced that the device will be discontinued, and a lifetime-buy period is in effect.

NRND: Not recommended for new designs. Device is in production to support existing customers, but TI does not recommend using this part in a new design.

PREVIEW: Device has been announced but is not in production. Samples may or may not be available.

OBSOLETE: TI has discontinued the production of the device.

(2) **RoHS:** TI defines "RoHS" to mean semiconductor products that are compliant with the current EU RoHS requirements for all 10 RoHS substances, including the requirement that RoHS substance do not exceed 0.1% by weight in homogeneous materials. Where designed to be soldered at high temperatures, "RoHS" products are suitable for use in specified lead-free processes. TI may reference these types of products as "Pb-Free".

RoHS Exempt: TI defines "RoHS Exempt" to mean products that contain lead but are compliant with EU RoHS pursuant to a specific EU RoHS exemption.

Green: TI defines "Green" to mean the content of Chlorine (Cl) and Bromine (Br) based flame retardants meet JS709B low halogen requirements of <=1000ppm threshold. Antimony trioxide based flame retardants must also meet the <=1000ppm threshold requirement.

(3) MSL, Peak Temp. - The Moisture Sensitivity Level rating according to the JEDEC industry standard classifications, and peak solder temperature.

(4) There may be additional marking, which relates to the logo, the lot trace code information, or the environmental category on the device.

(5) Multiple Device Markings will be inside parentheses. Only one Device Marking contained in parentheses and separated by a "~" will appear on a device. If a line is indented then it is a continuation of the previous line and the two combined represent the entire Device Marking for that device.

(6) Lead finish/Ball material - Orderable Devices may have multiple material finish options. Finish options are separated by a vertical ruled line. Lead finish/Ball material values may wrap to two lines if the finish value exceeds the maximum column width.

Important Information and Disclaimer:The information provided on this page represents TI's knowledge and belief as of the date that it is provided. TI bases its knowledge and belief on information provided by third parties, and makes no representation or warranty as to the accuracy of such information. Efforts are underway to better integrate information from third parties. TI has taken and continues to take reasonable steps to provide representative and accurate information but may not have conducted destructive testing or chemical analysis on incoming materials and chemicals. TI and TI suppliers consider certain information to be proprietary, and thus CAS numbers and other limited information may not be available for release.

In no event shall TI's liability arising out of such information exceed the total purchase price of the TI part(s) at issue in this document sold by TI to Customer on an annual basis.

IMPORTANT NOTICE AND DISCLAIMER

TI PROVIDES TECHNICAL AND RELIABILITY DATA (INCLUDING DATA SHEETS), DESIGN RESOURCES (INCLUDING REFERENCE DESIGNS), APPLICATION OR OTHER DESIGN ADVICE, WEB TOOLS, SAFETY INFORMATION, AND OTHER RESOURCES "AS IS" AND WITH ALL FAULTS, AND DISCLAIMS ALL WARRANTIES, EXPRESS AND IMPLIED, INCLUDING WITHOUT LIMITATION ANY IMPLIED WARRANTIES OF MERCHANTABILITY, FITNESS FOR A PARTICULAR PURPOSE OR NON-INFRINGEMENT OF THIRD PARTY INTELLECTUAL PROPERTY RIGHTS.

These resources are intended for skilled developers designing with TI products. You are solely responsible for (1) selecting the appropriate TI products for your application, (2) designing, validating and testing your application, and (3) ensuring your application meets applicable standards, and any other safety, security, regulatory or other requirements.

These resources are subject to change without notice. TI grants you permission to use these resources only for development of an application that uses the TI products described in the resource. Other reproduction and display of these resources is prohibited. No license is granted to any other TI intellectual property right or to any third party intellectual property right. TI disclaims responsibility for, and you will fully indemnify TI and its representatives against, any claims, damages, costs, losses, and liabilities arising out of your use of these resources.

TI's products are provided subject to [TI's Terms of Sale](#) or other applicable terms available either on [ti.com](https://www.ti.com) or provided in conjunction with such TI products. TI's provision of these resources does not expand or otherwise alter TI's applicable warranties or warranty disclaimers for TI products.

TI objects to and rejects any additional or different terms you may have proposed.

Mailing Address: Texas Instruments, Post Office Box 655303, Dallas, Texas 75265
Copyright © 2024, Texas Instruments Incorporated