

# INA122 Single Supply, Micropower Instrumentation Amplifier

## 1 Features

- Low quiescent current: 60µA
- Wide power supply range: 2.2V to 36V
- Rail-to-rail output swing
- Low offset voltage: 250µV maximum
- Low offset drift: 3µV/°C maximum
- Low noise: 60nV/√Hz
- Low input bias current: 25nA maximum
- Packages
  - 4.9mm × 6mm SOIC
  - 9.81mm × 9.43mm PDIP

## 2 Applications

- [Portable electronics](#)
- [Field transmitters and sensors](#)
- [Pressure transmitters](#)
- [Infusion pumps](#)
- [Electrocardiograms \(ECGs\)](#)

## 3 Description

The INA122 is a precision instrumentation amplifier for accurate, low-noise differential signal acquisition. The two-op-amp design provides excellent performance with very low quiescent current (60µA), and is designed for portable instrumentation and data acquisition systems. The INA122 can be operated with single or dual power supplies from 2.2V to 36V.

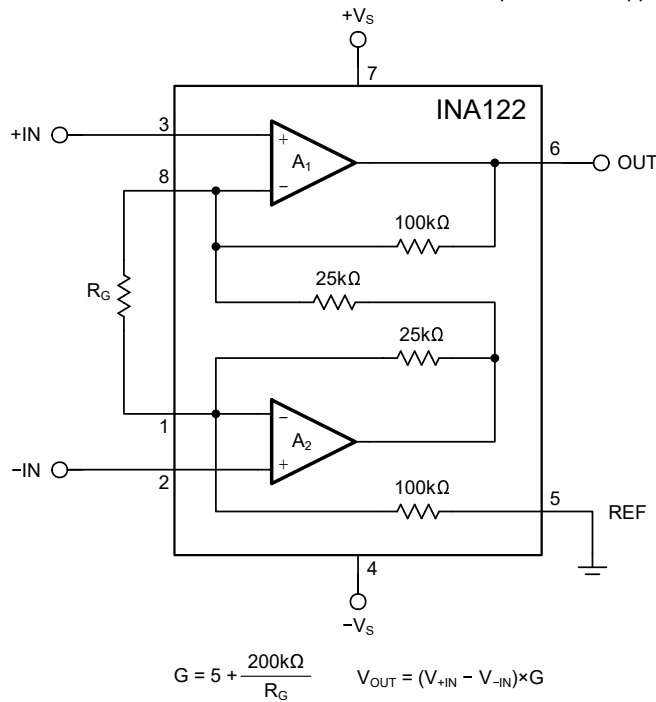
A single external resistor sets gain from 5V/V to 10000V/V. Laser trimming provides very low offset voltage (250µV maximum), offset voltage drift (3µV/°C maximum) and excellent common-mode rejection.

Package options include 8-pin plastic DIP and SOIC surface-mount packages. Both packages are specified for the -40°C to +85°C temperature range.

### Package Information

PART NUMBER	PACKAGE <sup>(1)</sup>	PACKAGE SIZE <sup>(2)</sup>
INA122	P (PDIP, 8)	9.81mm × 9.43mm
	D (SOIC, 8)	4.9mm × 6mm

- (1) For all available packages, see [Section 10](#).  
 (2) The package size (length × width) is a nominal value and includes pins, where applicable.

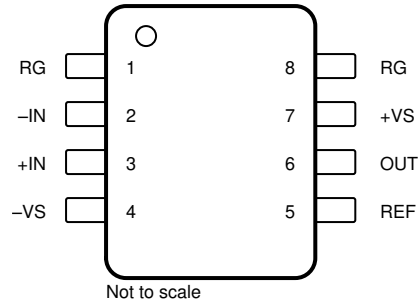


**INA122 Basic Connections**

## Table of Contents

<b>1 Features</b> .....	<b>1</b>	<b>7 Application and Implementation</b> .....	<b>14</b>
<b>2 Applications</b> .....	<b>1</b>	7.1 Application Information.....	14
<b>3 Description</b> .....	<b>1</b>	7.2 Typical Application.....	16
<b>4 Pin Configuration and Functions</b> .....	<b>3</b>	7.3 Power Supply Recommendations.....	19
<b>5 Specifications</b> .....	<b>4</b>	7.4 Layout.....	19
5.1 Absolute Maximum Ratings.....	4	<b>8 Device and Documentation Support</b> .....	<b>21</b>
5.2 Recommended Operating Conditions.....	4	8.1 Device Support.....	21
5.3 Thermal Information.....	4	8.2 Receiving Notification of Documentation Updates.....	21
5.4 Electrical Characteristics.....	5	8.3 Support Resources.....	21
5.5 Typical Characteristics.....	7	8.4 Trademarks.....	21
<b>6 Detailed Description</b> .....	<b>10</b>	8.5 Electrostatic Discharge Caution.....	21
6.1 Overview.....	10	8.6 Glossary.....	22
6.2 Functional Block Diagram.....	10	<b>9 Revision History</b> .....	<b>22</b>
6.3 Feature Description.....	11	<b>10 Mechanical, Packaging, and Orderable Information</b> .....	<b>22</b>
6.4 Device Functional Modes.....	13		

## 4 Pin Configuration and Functions



**Figure 4-1. P or D Package, 8-Pin PDIP or SOIC (Top View)**

PIN		TYPE	DESCRIPTION
NAME	NO.		
-IN	2	Input	Negative (inverting) input
+IN	3	Input	Positive (noninverting) input
OUT	6	Output	Output
REF	5	Input	Reference input. This pin must be driven by a low-impedance source.
RG	1, 8	—	Gain setting pin. Place a gain resistor between pin 1 and pin 8.
-VS	4	—	Negative (lowest) power supply
+VS	7	—	Positive (highest) power supply

## 5 Specifications

### 5.1 Absolute Maximum Ratings

over operating free-air temperature range (unless otherwise noted)<sup>(1)</sup>

			MIN	MAX	UNIT
V <sub>S</sub>	Supply voltage	Dual supply, V <sub>S</sub> = (V+) – (V–)	±18		V
		Single supply, V <sub>S</sub> = (V+) – 0 V	36		
	Signal input voltage		(V–)–0.3	(V+)+0.3	V
	Signal input current		5		mA
	Output short-circuit <sup>(2)</sup>		Continuous		
T <sub>A</sub>	Operating temperature		–40	125	°C
T <sub>stg</sub>	Storage temperature		–55	125	°C
	Lead temperature (soldering, 10 s)			300	°C

- (1) Operation outside the *Absolute Maximum Ratings* may cause permanent device damage. *Absolute Maximum Ratings* do not imply functional operation of the device at these or any other conditions beyond those listed under *Recommended Operating Conditions*. If used outside the *Recommended Operating Conditions* but within the *Absolute Maximum Ratings*, the device may not be fully functional, and this may affect device reliability, functionality, performance, and shorten the device lifetime.
- (2) Short-circuit to V<sub>S</sub> / 2.

### 5.2 Recommended Operating Conditions

over operating free-air temperature range (unless otherwise noted)

		MIN	NOM	MAX	UNIT
Supply voltage	V <sub>S</sub> = (V+) – (V–)	2.2		36	V
Specified temperature		–40		85	°C

### 5.3 Thermal Information

THERMAL METRIC <sup>(1)</sup>		INA122	UNIT
		D (SOIC)	
		8 PINS	
R <sub>θJA</sub>	Junction-to-ambient thermal resistance	129.2	°C/W
R <sub>θJC(top)</sub>	Junction-to-case (top) thermal resistance	69.1	°C/W
R <sub>θJB</sub>	Junction-to-board thermal resistance	76.8	°C/W
ψ <sub>JT</sub>	Junction-to-top characterization parameter	16.1	°C/W
ψ <sub>JB</sub>	Junction-to-board characterization parameter	75.8	°C/W
R <sub>θJC(bot)</sub>	Junction-to-case (bottom) thermal resistance	n/a	°C/W

- (1) For more information about traditional and new thermal metrics, see the [Semiconductor and IC Package Thermal Metrics](#) application note.

## 5.4 Electrical Characteristics

at  $T_A = 25^\circ\text{C}$ ,  $V_S = +5\text{V}$ ,  $R_L = 20\text{k}\Omega$  connected to  $V_S/2$ ,  $V_{REF} = 0\text{V}$  (unless otherwise noted)

PARAMETER		TEST CONDITIONS	MIN	TYP	MAX	UNIT
<b>INPUT</b>						
$V_{OS}$	Offset voltage (RTI)		INA122P, U	$\pm 100$	$\pm 250$	$\mu\text{V}$
			INA122PA, UA	$\pm 150$	$\pm 500$	
	Offset voltage drift (RTI)	$T_A = -40^\circ\text{C}$ to $+85^\circ\text{C}$	INA122P, U	$\pm 1$	$\pm 3$	$\mu\text{V}/^\circ\text{C}$
			INA122PA, UA	$\pm 1$	$\pm 5$	
PSRR	Power-supply rejection ratio (RTI)	$V_S = 2.2\text{V}$ to $36\text{V}$	INA122P, U	10	30	$\mu\text{V}/\text{V}$
			INA122PA, UA	10	100	
$V_{CM}$	Operating input range <sup>(1)</sup>		0		3.4	V
CMRR	Common-mode rejection ratio (RTI)	$V_{CM} = 0\text{V}$ to $3.4\text{V}$	INA122P, U	83	96	dB
			INA122PA, UA	76	96	
	Differential impedance			$100 \parallel 3$		$\text{G}\Omega \parallel \text{pF}$
	Common-mode impedance			$100 \parallel 3$		
<b>BIAS CURRENT</b>						
$I_B$	Input bias current	$V_{CM} = V_S / 2$	INA122P, U	-10	-25	nA
			INA122PA, UA	-10	-50	nA
$I_{OS}$	Input offset current	$V_{CM} = V_S / 2$	INA122P, U	$\pm 1$	$\pm 2$	nA
			INA122PA, UA	$\pm 1$	$\pm 5$	
	Input offset current drift	$T_A = -40^\circ\text{C}$ to $+85^\circ\text{C}$	INA122P, U	$\pm 40$		$\text{pA}/^\circ\text{C}$
			INA122PA, UA	$\pm 40$		
<b>NOISE VOLTAGE</b>						
$e_{NI}$	Voltage noise (RTI)	$f = 10\text{Hz}$		110		$\text{nV}/\sqrt{\text{Hz}}$
		$f = 100\text{Hz}$		100		
		$f = 1\text{kHz}$		60		
		$f_B = 0.1\text{Hz}$ to $10\text{Hz}$		2.7		$\mu\text{V}_{PP}$
$i_{NI}$	Current noise (RTI)	$f = 1\text{kHz}$		80		$\text{fA}/\sqrt{\text{Hz}}$
		$f_B = 0.1\text{Hz}$ to $10\text{Hz}$		2		$\text{pA}_{PP}$

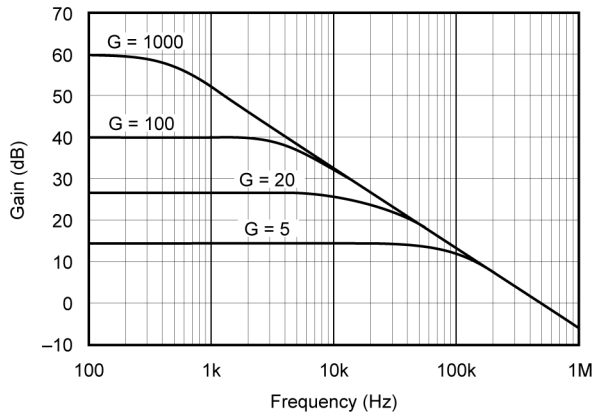
at  $T_A = 25^\circ\text{C}$ ,  $V_S = +5\text{V}$ ,  $R_L = 20\text{k}\Omega$  connected to  $V_S/2$ ,  $V_{REF} = 0\text{V}$  (unless otherwise noted)

PARAMETER		TEST CONDITIONS		MIN	TYP	MAX	UNIT
<b>GAIN</b>							
	Gain equation			5 + (200k $\Omega$ / R <sub>G</sub> )			V/V
G	Gain			5		10000	V/V
GE	Gain error	G = 5, V <sub>O</sub> = $\pm 10\text{V}$	INA122P, U	$\pm 0.05$		$\pm 0.1$	%
			INA122PA, UA	$\pm 0.05$		$\pm 0.15$	
		G = 100, V <sub>O</sub> = $\pm 10\text{V}$	INA122P, U	$\pm 0.3$		$\pm 0.5$	
			INA122PA, UA	$\pm 0.3$		$\pm 1$	
	Gain vs temperature <sup>(2)</sup>	G = 5			$\pm 5$	$\pm 10$	ppm/ $^\circ\text{C}$
		G = 100			$\pm 25$	$\pm 100$	
	Gain nonlinearity	G = 100, V <sub>O</sub> = -14.85V to +14.9V	INA122P, U	$\pm 0.005$		$\pm 0.012$	% of FSR
			INA122PA, UA	$\pm 0.005$		$\pm 0.024$	
<b>OUTPUT</b>							
	Positive output voltage swing	V <sub>S</sub> = $\pm 15\text{V}$		(V+) - 0.1	(V+) - 0.05		V
	Negative output voltage swing	V <sub>S</sub> = $\pm 15\text{V}$		(V-) + 0.15	(V-) + 0.1		V
	Load capacitance stability				1000		pF
I <sub>SC</sub>	Short-circuit current	Continuous to V <sub>S</sub> / 2			+3 / -30		mA
<b>FREQUENCY RESPONSE</b>							
BW	Bandwidth, -3dB	G = 5			100		kHz
		G = 100			3.5		
		G = 500			0.9		
SR	Slew rate	G = 5, V <sub>O</sub> = $\pm 10\text{V}$	Rising		0.08		V/ $\mu\text{s}$
			Falling		0.12		
	Overload recovery	50 % overdrive			22		$\mu\text{s}$
t <sub>s</sub>	Settling time	0.01%	G = 5		350		$\mu\text{s}$
			G = 100		450		
			G = 500		1800		
<b>POWER SUPPLY</b>							
I <sub>Q</sub>	Quiescent current	I <sub>O</sub> = 0A			60	85	$\mu\text{A}$

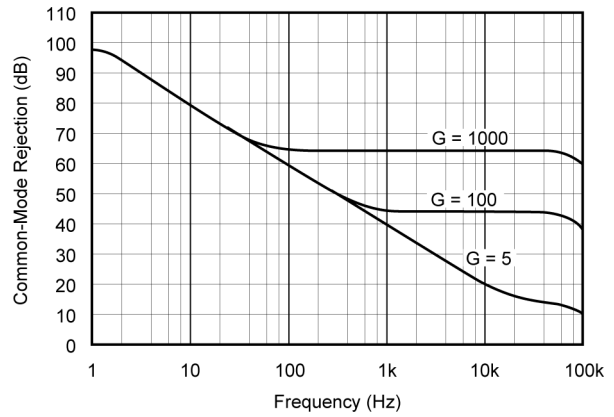
- (1) Input voltage range of the INA122 input stage. The input range depends on the common-mode voltage, differential voltage, gain, and reference voltage. See *Typical Characteristic* curves [Figure 5-5](#) and [Figure 5-6](#) for more information.
- (2) The values specified for G > 5 do not include the effects of the external gain-setting resistor, R<sub>G</sub>.

### 5.5 Typical Characteristics

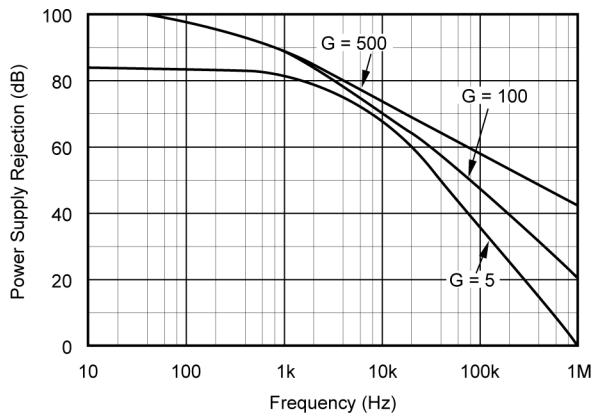
At  $T_A = +25^\circ\text{C}$  and  $V_S = \pm 5\text{V}$ , unless otherwise noted.



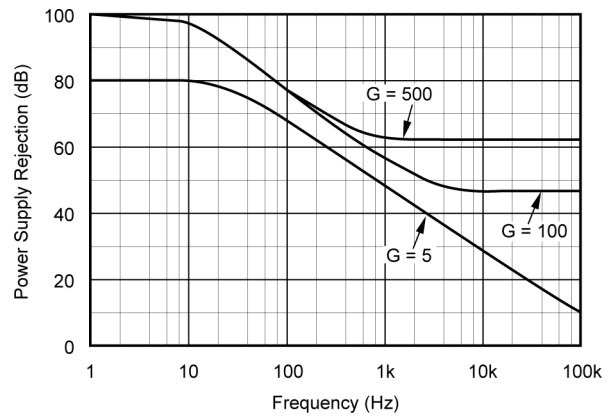
**Figure 5-1. Gain vs Frequency**



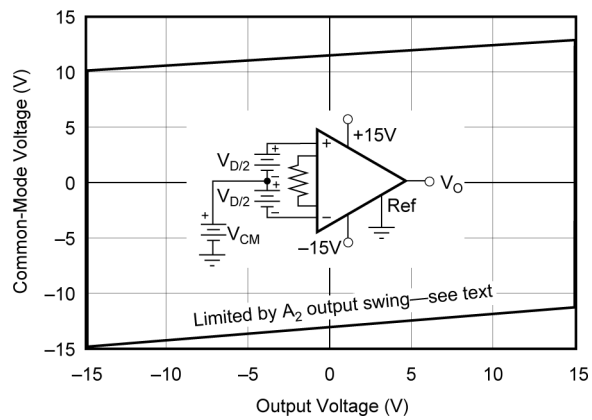
**Figure 5-2. Common-Mode Rejection vs Frequency**



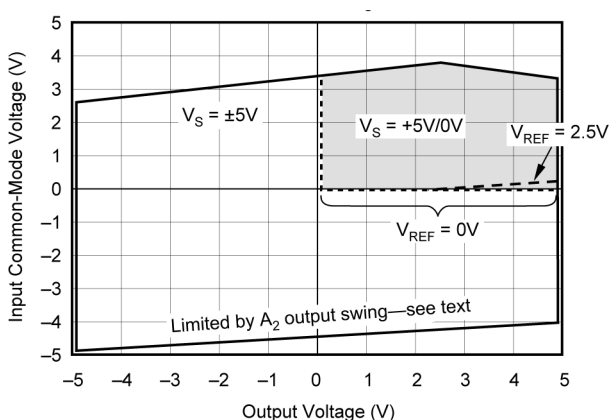
**Figure 5-3. Positive Power Supply Rejection vs Frequency**



**Figure 5-4. Negative Power Supply Rejection vs Frequency**



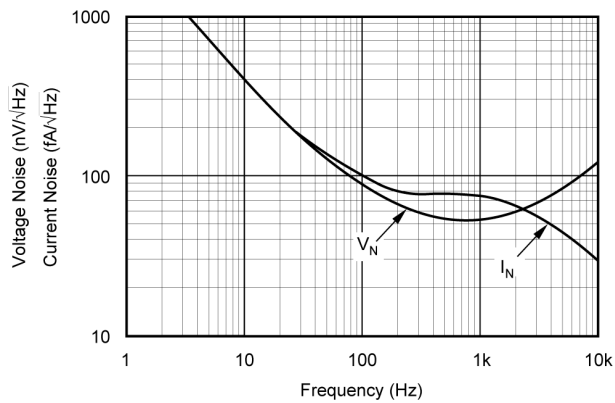
**Figure 5-5. Input Common-Mode Range vs Output Voltage,  $V_S = \pm 15\text{V}$ ,  $G = 5$**



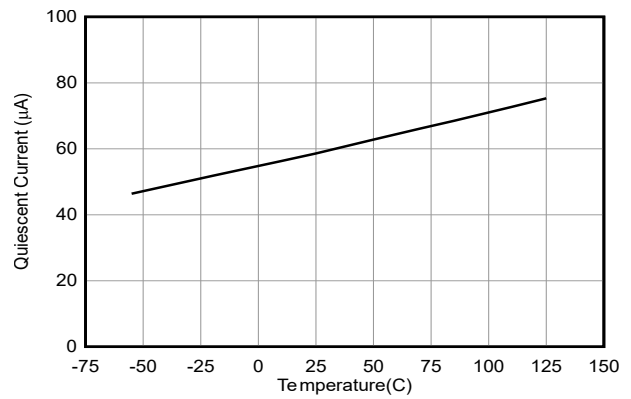
**Figure 5-6. Input Common-Mode Voltage vs Output Voltage,  $V_S = \pm 5\text{V}$ ,  $G = 5$**

### 5.5 Typical Characteristics (continued)

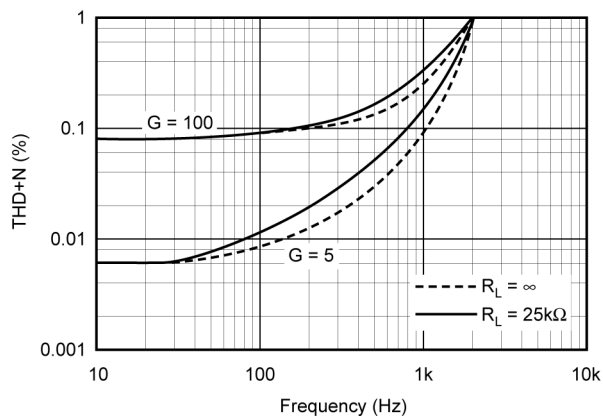
At  $T_A = +25^\circ\text{C}$  and  $V_S = \pm 5\text{V}$ , unless otherwise noted.



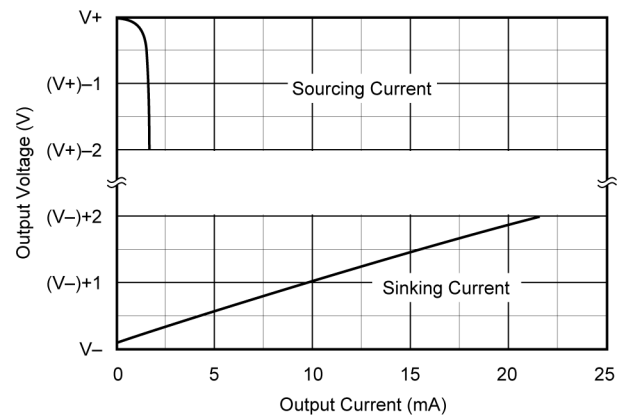
**Figure 5-7. Voltage and Current Noise Density vs Frequency (RTI)**



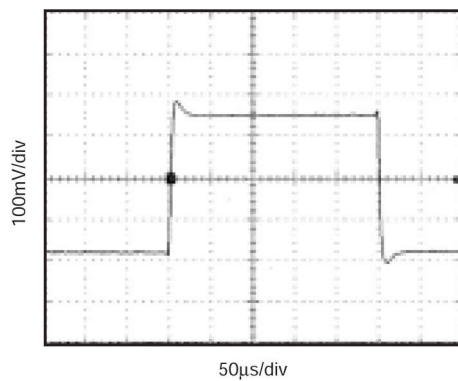
**Figure 5-8. Quiescent Current vs Temperature**



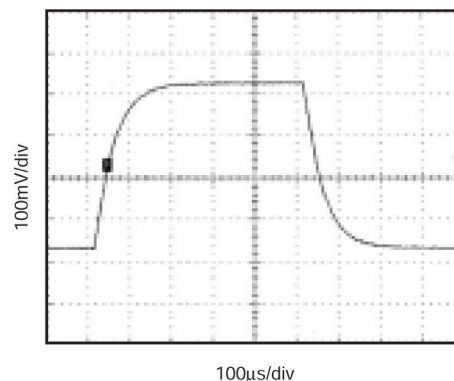
**Figure 5-9. Total Harmonic Distortion+Noise vs Frequency**



**Figure 5-10. Output Voltage Swing vs Output Current**



**Figure 5-11. Small-Signal Step Response G = 5**

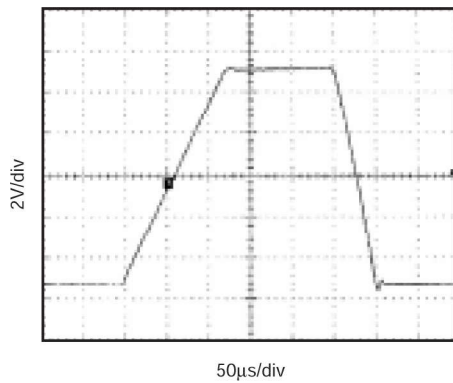


**Figure 5-12. Small-Signal Step Response G = 100**

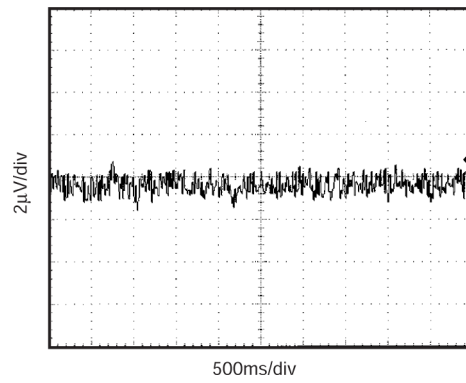


### 5.5 Typical Characteristics (continued)

At  $T_A = +25^\circ\text{C}$  and  $V_S = \pm 5\text{V}$ , unless otherwise noted.



**Figure 5-13. Large-Signal Step Response G = 5**



**Figure 5-14. Input-Referred Noise Voltage 0.1Hz to 10Hz**

## 6 Detailed Description

### 6.1 Overview

The INA122 is a monolithic, precision instrumentation amplifier incorporating a two-op-amp design, providing savings in power consumption and designed for portable instrumentation and data acquisition systems. An external gain resistor ( $R_G$ ) sets the gain from 5V/V to 10000V/V.

Figure 6-1 shows a simplified circuit diagram of the INA122. The design of  $A_1$  and  $A_2$  are identical and both internal outputs can swing to within approximately 100mV of the power supply rails, depending on load conditions. When the output of  $A_2$  is saturated,  $A_1$  can still be in linear operation, responding to changes in the noninverting input voltage. This can give the appearance of linear operation but the output voltage is invalid.

The most commonly overlooked overload condition occurs by attempting to exceed the output swing of  $A_2$ , an internal circuit node that cannot be measured. Calculating the expected voltages at output of  $A_2$  (see the equation in Figure 6-1) provides a check for the most common overload conditions.

A single supply instrumentation amplifier has special design considerations. Using commonly available single supply op amps to implement the two op amp topology cannot yield equivalent performance. For example, consider the condition where both inputs of common single supply op amps are equal to 0V. The outputs of both  $A_1$  and  $A_2$  must be 0V. But any small positive voltage applied to  $V_{+IN}$  requires that  $A_2$  output must swing below 0V, which is not feasible without a negative power supply.

To achieve common-mode range that extends to single supply ground, the INA122 uses precision level-shifting buffers on the inputs. This shifts both inputs by approximately 0.5V, and through the feedback network, shifts  $A_2$  output by approximately 0.6V. With both inputs and  $V_{REF}$  at single supply,  $A_2$  output operates within linear range. A positive  $V_{+IN}$  causes  $A_2$  output to swing below 0.6V. As a result of the input level-shifting, the voltages at  $R_G$  pins (pins 1 and 8) are not equal to the respective input pin voltages (pins 2 and 3). For most applications, this is not important because only the gain-setting resistor connects to  $R_G$  pins.

### 6.2 Functional Block Diagram

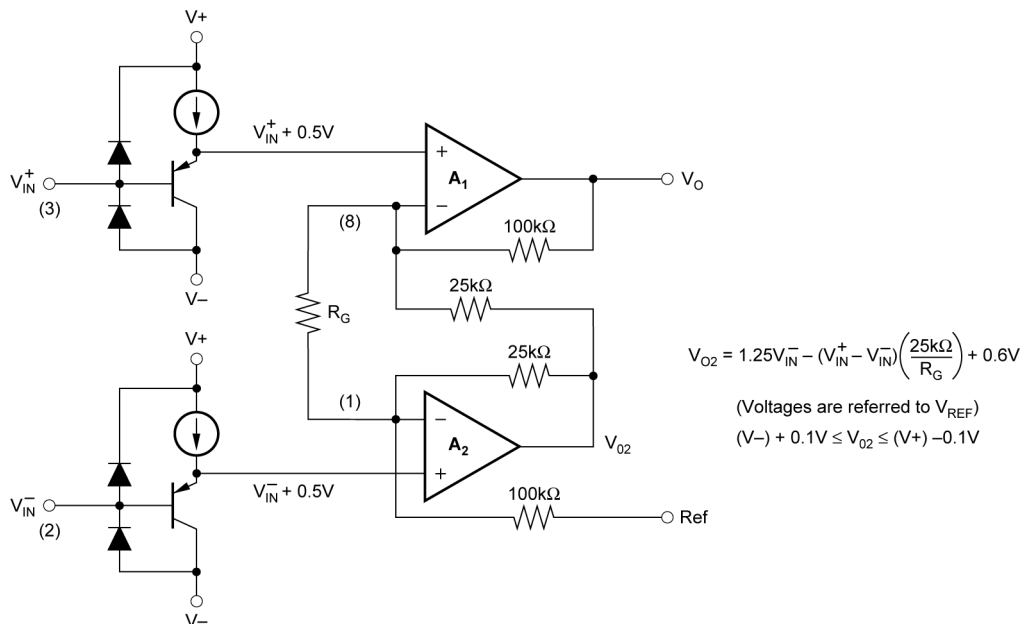


Figure 6-1. INA122 Simplified Circuit Diagram

## 6.3 Feature Description

### 6.3.1 Setting the Gain

Figure 6-2 shows the basic connections required for operation of the INA122. The output is referred to the output reference (Ref) pin that is normally grounded.

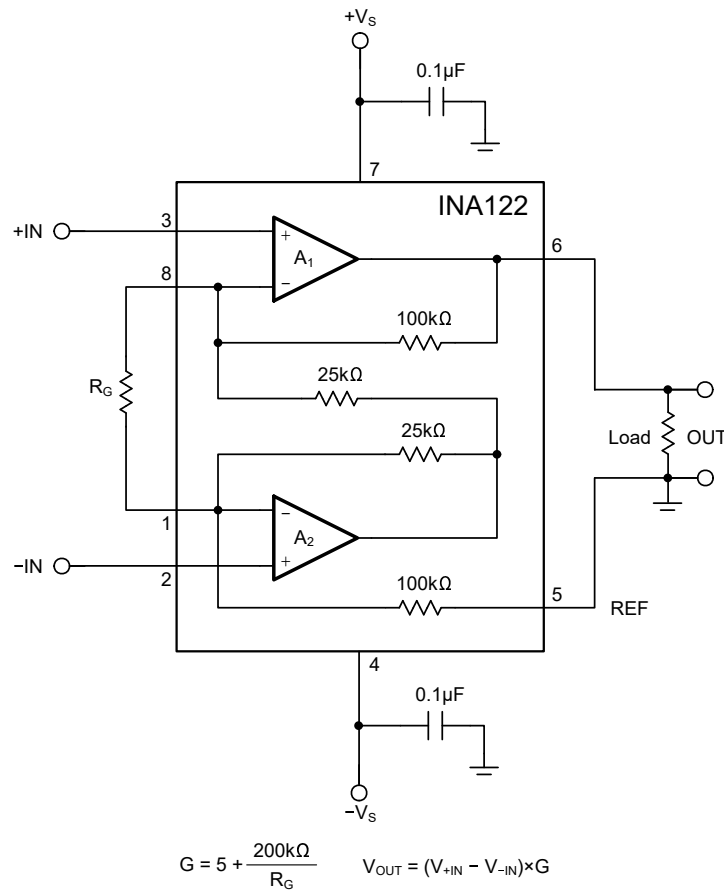
Use Equation 1 to calculate the gain of the INA122. Set the gain by connecting a single external resistor,  $R_G$ , to the INA122 as shown in Figure 6-2.

$$G = 5 + \frac{200k\Omega}{R_G} \quad (1)$$

Table 6-1 shows the commonly used gains and  $R_G$  resistor values.

The 200k $\Omega$  term in Equation 1 comes from the internal metal film resistors which are laser trimmed to accurate absolute values. The accuracy and temperature coefficient of these resistors are included in the gain accuracy and drift specifications of the INA122.

The stability and temperature drift of  $R_G$  also affects gain. The contribution to gain accuracy and drift from  $R_G$  can be directly inferred from Equation 1.



**Figure 6-2. INA122 Basic Connections**

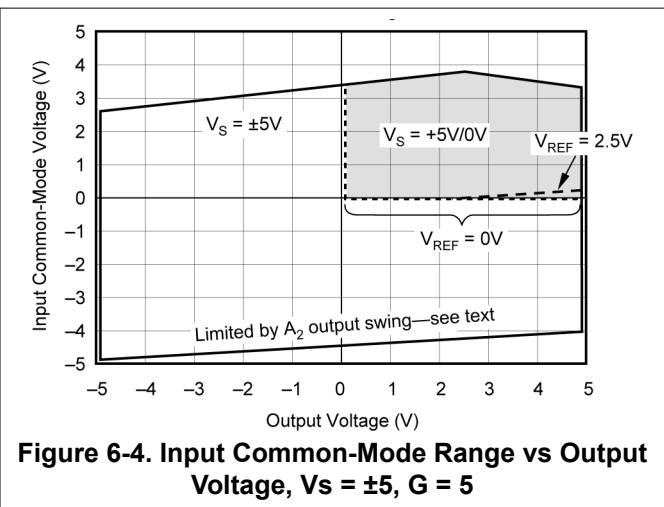
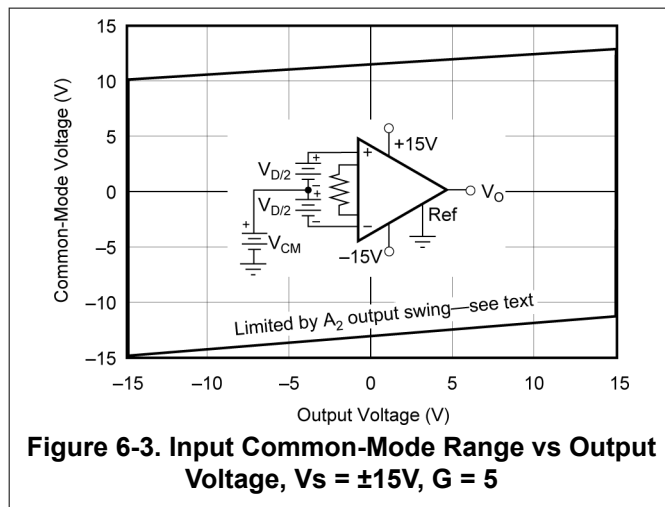
**Table 6-1. Commonly Used Gains and Resistor Values**

DESIRED GAIN (V/V)	$R_G$ ( $\Omega$ )	NEAREST 1% $R_G$ VALUE ( $\Omega$ )
5	NC <sup>(1)</sup>	NC <sup>(1)</sup>
10	40k	40.2k
20	13.33k	13.3k
50	4.444	4.42k
100	2105	2.1k
200	1026	1.02k
500	404	402
1000	201	200
2000	100.3	100
5000	40	40.2
10000	20	20

(1) NC: No connection

### 6.3.2 Input Common-Mode Range

The input common-mode range of the INA122 can operate over a wide range of power supply and  $V_{REF}$  configurations. The common-mode range for some common operating conditions is shown in the performance curves in the *Typical Characteristics* section, and also in Figure 6-3 and Figure 6-4.



### 6.3.3 Input Protection

The inputs of the INA122 are protected with internal diodes connected to the power supply rails shown in Figure 6-1. The diodes clamp the applied signal to prevent damaging the input circuitry. If the input signal source voltage exceeds the power supplies by more than 0.3V, limit the source current with a series input resistor to less than 5mA to protect the internal clamp diodes. Some signal sources are inherently current-limited and do not require limiting resistors.

### 6.3.4 Output Current Range

Output sourcing and sinking current values versus the output voltage ranges are shown in the *Typical Characteristics* section. The positive and negative current limits are not equal. Positive output current sourcing can drive moderate to high load impedance. Battery operation normally requires the careful management of power consumption to keep load impedance very high throughout the design.

## 6.4 Device Functional Modes

The INA122 can be operated on a single power supply as low as +2.2V (or a total of +2.2V on dual supplies). Performance remains excellent throughout the power supply range up to +36V (or  $\pm 18V$ ). Most parameters vary only slightly throughout the full supply voltage range. See the typical performance curves in [Typical Characteristics](#) section.

Operation at very low supply voltage requires careful attention to maintain the linear operating condition with the input common-mode voltage range, as explained in the [Input Common-Mode Range](#) section.

## 7 Application and Implementation

### Note

Information in the following applications sections is not part of the TI component specification, and TI does not warrant its accuracy or completeness. TI's customers are responsible for determining suitability of components for their purposes, as well as validating and testing their design implementation to confirm system functionality.

### 7.1 Application Information

#### 7.1.1 Offset Trimming

The INA122 is laser trimmed for low offset voltage and offset voltage drift. The voltage applied to the Ref pin is added to the output signal. This connection must be low-impedance to provide expected common-mode rejection performance. A resistance of 10Ω in series with the Ref pin causes a typical device to degrade to approximately 80dB CMR. Most applications require no external offset adjustment using the Ref pin and is typically grounded.

Figure 7-1 shows an optional circuit for trimming the output offset voltage. An op amp buffer is used to provide low impedance at the Ref pin to preserve good common-mode rejection.

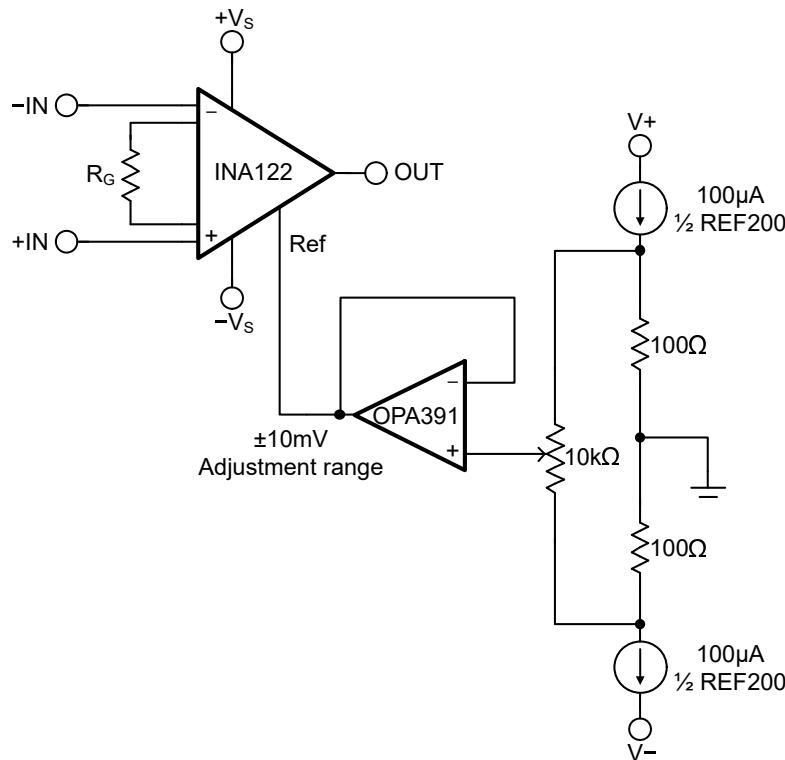


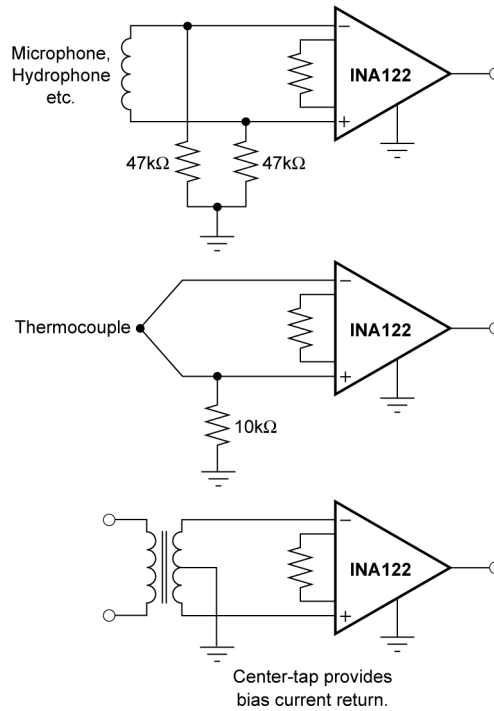
Figure 7-1. Optional Trimming of Output Offset Voltage

### 7.1.2 Input Bias Current Return Path

The input impedance of the INA122 is extremely high, approximately  $10^{10}\Omega$ . However, a path must be provided for the input bias current of both inputs. This input bias current is approximately  $-10\text{nA}$  (current flows out of the input terminals). High input impedance means that the input bias current changes very little with varying input voltage.

Input circuitry must provide a path for this input bias current for proper operation. [Figure 7-2](#) shows various provisions for an input bias current path. Without a bias current path, the inputs can float to a potential which exceeds the common-mode range of the INA122 and the input amplifiers saturate.

If the differential source resistance is low, the bias current return path can be connected to one input (see the thermocouple example in [Figure 7-2](#)). With higher source impedance, using two equal resistors provides a balanced input with possible advantages of lower input offset voltage due to bias current and better high-frequency common-mode rejection.



**Figure 7-2. Providing an Input Common-Mode Current Path**

## 7.2 Typical Application

### 7.2.1 Resistive-Bridge Pressure Sensor

The INA122 is an instrumentation amplifier that measures small differential voltages while simultaneously rejecting larger common-mode voltages. The device offers a low power consumption of 60µA (typical) and is designed for portable applications where sensors measure physical parameters, such as changes in fluid, pressure, temperature, or humidity.

The pressure sensor is made of a piezo-resistive element that can be derived as a classical 4-resistor Wheatstone bridge. Changes in the strain gauge resistance on one leg of the Wheatstone bridge ( $R + \Delta R$ ) induces a differential voltage  $V_{DIFF}$ .

Figure 7-3 shows an example circuit for a pressure sensor application. The signal chain connected to the bridge downstream processes the pressure change and can trigger an alarm.

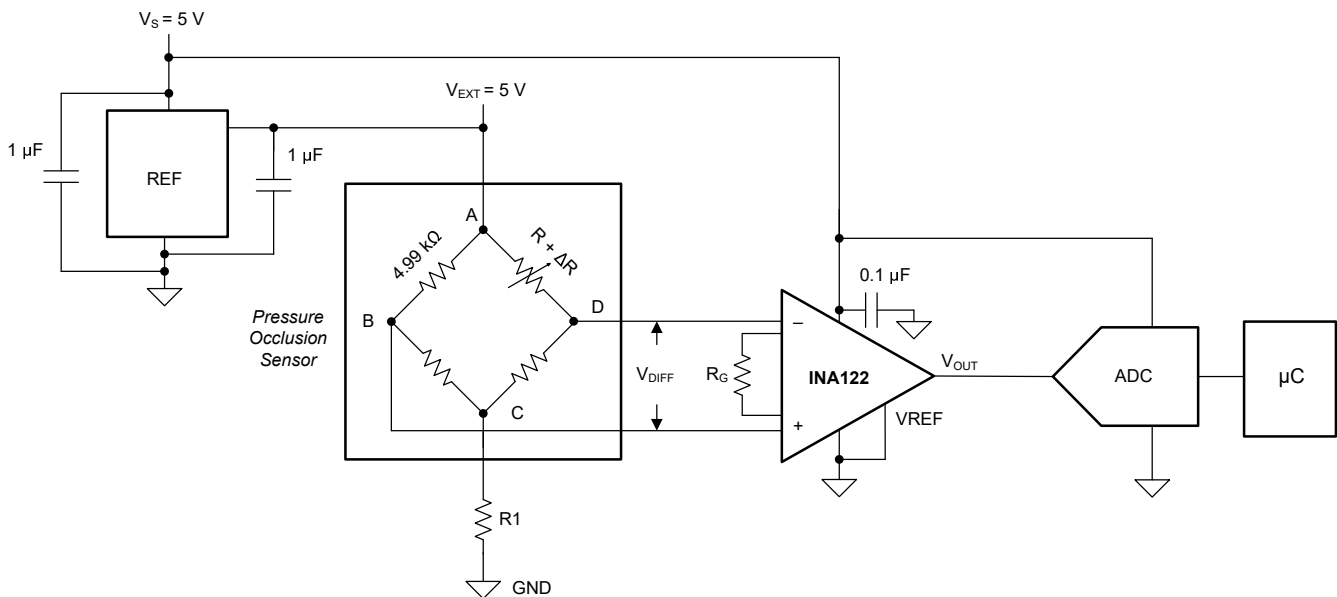


Figure 7-3. Resistive-Bridge Pressure Sensor

Low-tolerance bridge resistors must be used to minimize the offset and gain errors.

Given that there is only a positive differential voltage applied, this circuit is laid out in single supply mode. The excitation voltage,  $V_{EXT}$ , to the bridge must be precise and stable; otherwise, measurement errors can be introduced.

#### 7.2.1.1 Design Requirements

For this application, the design requirements are as provided in Table 7-1.

Table 7-1. Design Requirements

DESCRIPTION	VALUE
Single supply voltage	$V_S = 5V$
Excitation voltage	$V_{EXT} = 5.0V$
Pressure range	$P = 1\text{psi to }12\text{psi, increments of }P = 0.5\text{psi}$
Pressure sensitivity	$S = 2 \pm 0.5 (25\%) \text{ mV/V/psi}$
Pressure impedance	$R = 4.99\text{k}\Omega \pm 50\Omega (0.1\%)$
Total pressure sampling rate	$S_r = 20\text{Hz}$
Full-scale range of ADC	$V_{ADC(fs)} = V_{OUT} = 3.0V$



### 7.2.1.2 Detailed Design Procedure

This section provides basic calculations to design the instrumentation amplifier circuit with respect to the given design requirements.

One of the key considerations in resistive-bridge sensors is the common-mode voltage,  $V_{CM}$ . If the bridge is balanced (no pressure, thus no voltage change),  $V_{CM(zero)}$  is half of the bridge excitation ( $V_{EXT}$ ). In this example  $V_{CM(zero)}$  is 2.5V. For the maximum pressure of 12psi, the bridge common-mode voltage,  $V_{CM(MAX)}$ , is calculated by:

$$V_{CM(MAX)} = \frac{V_{DIFF}}{2} + V_{CM(zero)} \quad (2)$$

where

$$V_{DIFF} = S_{MAX} \times V_{EXT} \times P_{MAX} = 2.5 \frac{mV}{V \times psi} \times 5V \times 12psi = 150mV \quad (3)$$

Thus, the maximum common-mode voltage applied results in [Equation 4](#):

$$V_{CM(MAX)} = \frac{150 mV}{2} + 2.5V = 2.575V \quad (4)$$

Similarly, [Equation 5](#) calculates the minimum common-mode voltage.

$$V_{CM(MIN)} = \frac{-150 mV}{2} + 2.5V = 2.425V \quad (5)$$

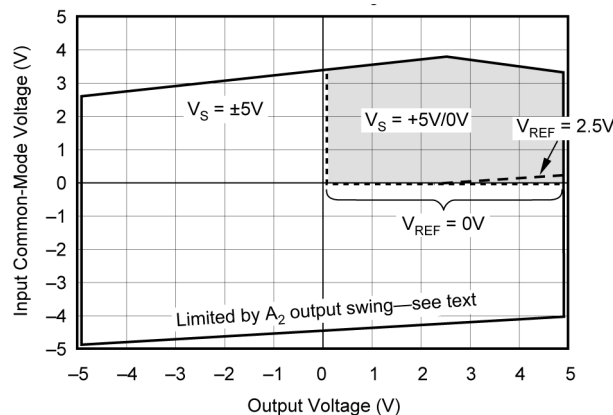
The next step is to calculate the gain required for the given maximum sensor output voltage span,  $V_{DIFF}$ , in respect to the required  $V_{OUT}$ , which is the full-scale range of the ADC.

[Equation 6](#) calculates the gain value using the maximum input voltage and the required output voltage:

$$G = \frac{V_{OUT}}{V_{DIFF(MAX)}} = \frac{3.0 V}{150 mV} = 20V/V \quad (6)$$

The INA122 has a gain range from 5V/V to 10000V/V. To set the gain to 20V/V, set  $R_G$  to 13.3k $\Omega$  to provide the maximum output signal swing for the ADC.

Next, make sure that the INA122 can operate within this range by checking the *Input Common-Mode Voltage vs Output Voltage* curves listed in the [Typical Characteristics](#) section. The relevant figure is also in this section for convenience. Based on [Figure 7-4](#), an output signal swing of 3V is supported for the input signal swing between 2.425V and 2.575V, thus allowing linear operation.



**Figure 7-4. Input Common-Mode Voltage vs Output Voltage**

An additional series resistor in the Wheatstone bridge string (R1) may or may not be required. This is decided based on the intended output voltage swing for a particular combination of supply voltage, reference voltage, and the selected gain for an input common-mode voltage range. R1 helps adjust the input common-mode voltage range, and thus can help accommodate the intended output voltage swing. In this particular example, R1 is not required and can be shorted to ground.

### 7.2.1.3 Application Curve

Figure 7-5 shows the typical characteristic curve for the circuit in Figure 7-3.

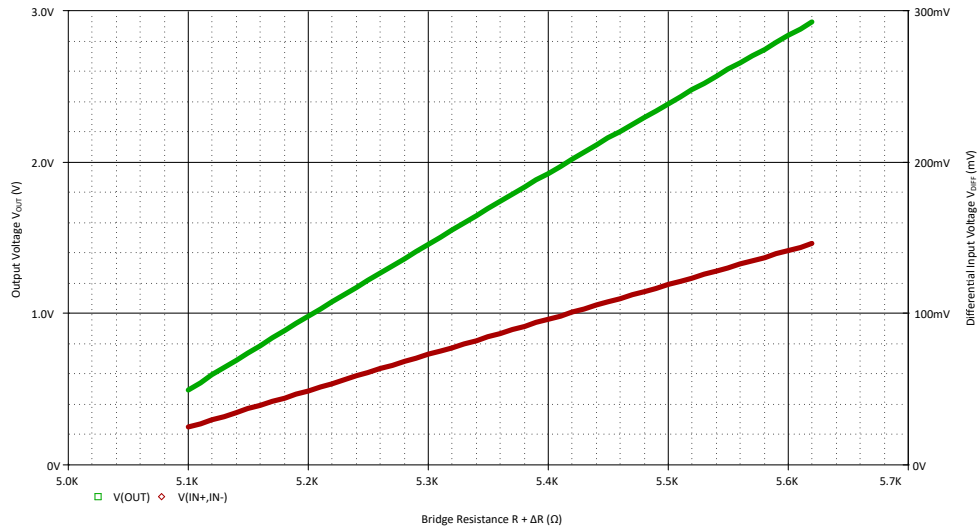


Figure 7-5. Input Differential Voltage, Output Voltage vs Bridge Resistance

## 7.3 Power Supply Recommendations

The nominal performance of the INA122 is specified with a single supply voltage ( $+V_S$ ) of 5V and reference voltage (REF) connected to ground. The device operates using power supplies from 2.2V to 36V in single or dual supply.

### CAUTION

Supply voltages higher than 36V ( $\pm 18V$ ) can permanently damage the device. Parameters that vary over supply voltage or temperature are shown in *Typical Characteristics* of this data sheet.

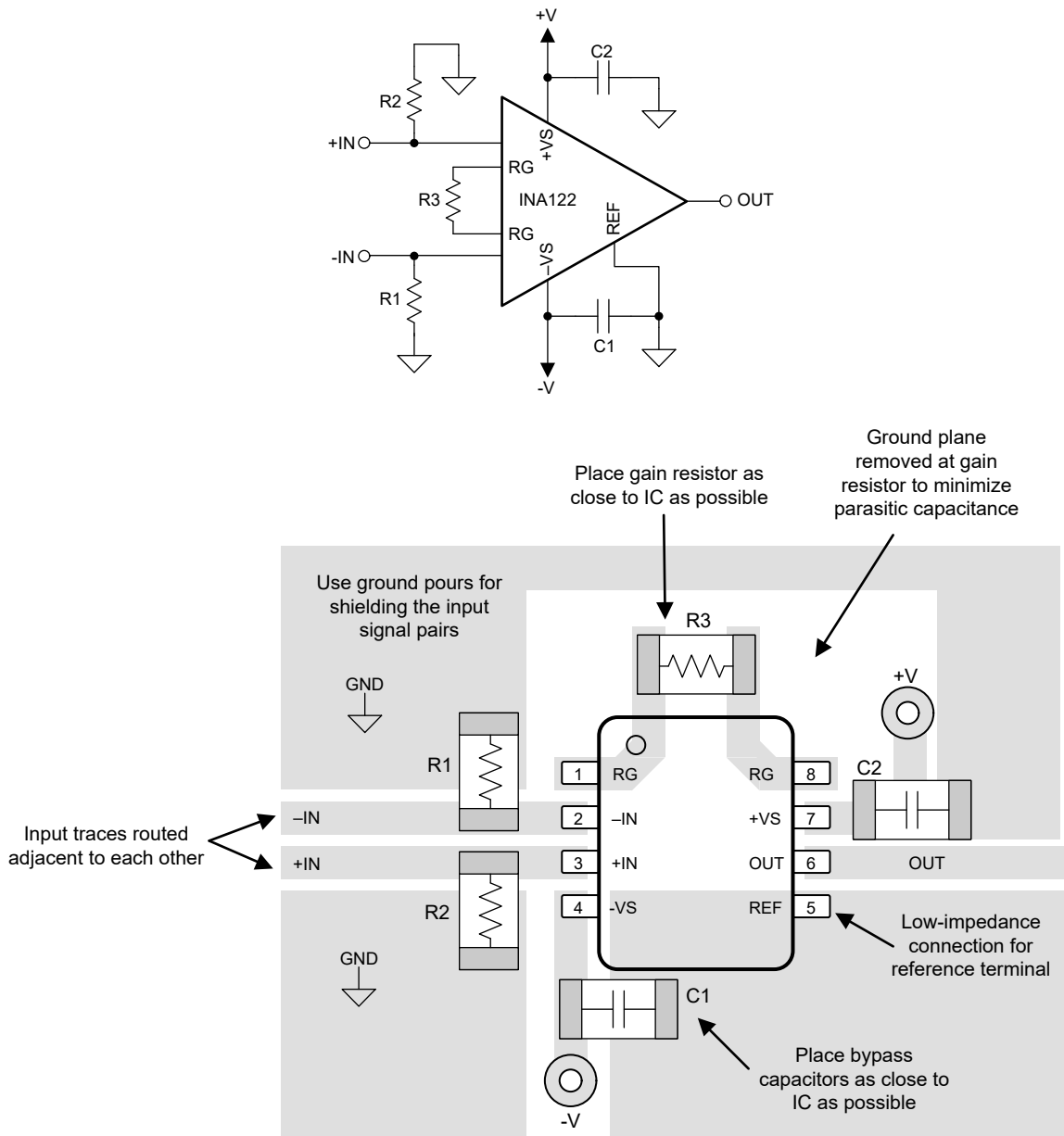
## 7.4 Layout

### 7.4.1 Layout Guidelines

For best operational performance of the device, use good PCB layout practices, including:

- Make sure that both input paths are well-matched for source impedance and capacitance to avoid converting common-mode signals into differential signals. Even a slight mismatch in parasitic capacitance at the gain setting pins can degrade CMRR over frequency. For example, in applications that implement gain switching using switches or PhotoMOS<sup>®</sup> relays to change the value of  $R_G$ , select the component so that the switch capacitance is as small as possible. Take care to minimize the capacitance mismatch between the  $R_G$  pins as much as possible.
- Noise can propagate into analog circuitry through the power pins of the circuit as a whole and through the device. Bypass capacitors are used to reduce the coupled noise by providing low-impedance power sources local to the analog circuitry.
  - Connect low-ESR, 0.1  $\mu F$  ceramic bypass capacitors between each supply pin and ground, placed as close to the device as possible. A single bypass capacitor from  $V+$  to ground is applicable for single-supply applications.
- To reduce parasitic coupling, run the input traces as far away from the supply or output traces as possible. If these traces cannot be kept separate, crossing the sensitive trace perpendicular is much better as opposed to in parallel with the noisy trace.
- Place the external components as close to the device as possible. As shown in [Figure 7-6](#), keeping  $R_G$  close to the device minimizes parasitic capacitance.
- Keep the length of input traces as short as possible. Always remember that the input traces are the most sensitive part of the circuit.
- Consider a driven, low-impedance guard ring around the critical traces. A guard ring can significantly reduce leakage currents from nearby traces that are at different potentials.
- Cleaning the PCB following board assembly is recommended for best performance.
- Any precision integrated circuit can experience performance shifts due to moisture ingress into the plastic package. Following any aqueous PCB cleaning process, baking the PCB assembly is recommended to remove moisture introduced into the device packaging during the cleaning process. A low-temperature, post-cleaning bake at 85°C for 30 minutes is sufficient for most circumstances.

**7.4.2 Layout Example**



**Figure 7-6. Example Schematic and PCB Layout**

## 8 Device and Documentation Support

TI offers an extensive line of development tools. Tools and software to evaluate the performance of the device, generate code, and develop solutions are listed below.

### 8.1 Device Support

#### 8.1.1 Development Support

For development support on this product, see the following:

##### 8.1.1.1 PSpice® for TI

**PSpice® for TI** is a design and simulation environment that helps evaluate performance of analog circuits. Create subsystem designs and prototype solutions before committing to layout and fabrication, reducing development cost and time to market.

##### 8.1.1.2 TINA-TI™ (Free Software Download)

TINA™ is a simple, powerful, and easy-to-use circuit simulation program based on a SPICE engine. TINA-TI is a free, fully-functional version of the TINA software, preloaded with a library of macro models in addition to a range of both passive and active models. TINA-TI provides all the conventional dc, transient, and frequency domain analysis of SPICE, as well as additional design capabilities.

Available as a [free download](#) from the Analog eLab Design Center, TINA-TI offers extensive post-processing capability that allows users to format results in a variety of ways. Virtual instruments offer the ability to select input waveforms and probe circuit nodes, voltages, and waveforms, creating a dynamic quick-start tool.

---

#### Note

These files require that either the TINA software (from DesignSoft™) or TINA-TI software be installed. Download the free TINA-TI software from the [TINA-TI folder](#).

---

### 8.2 Receiving Notification of Documentation Updates

To receive notification of documentation updates, navigate to the device product folder on [ti.com](#). Click on *Notifications* to register and receive a weekly digest of any product information that has changed. For change details, review the revision history included in any revised document.

### 8.3 Support Resources

[TI E2E™ support forums](#) are an engineer's go-to source for fast, verified answers and design help — straight from the experts. Search existing answers or ask your own question to get the quick design help you need.

Linked content is provided "AS IS" by the respective contributors. They do not constitute TI specifications and do not necessarily reflect TI's views; see TI's [Terms of Use](#).

### 8.4 Trademarks

TINA-TI™ and TI E2E™ are trademarks of Texas Instruments.

TINA™ and DesignSoft™ are trademarks of DesignSoft, Inc.

PhotoMOS® is a registered trademark of Panasonic Electric Works Europe AG.

PSpice® is a registered trademark of Cadence Design Systems, Inc.

All trademarks are the property of their respective owners.

### 8.5 Electrostatic Discharge Caution



This integrated circuit can be damaged by ESD. Texas Instruments recommends that all integrated circuits be handled with appropriate precautions. Failure to observe proper handling and installation procedures can cause damage.

ESD damage can range from subtle performance degradation to complete device failure. Precision integrated circuits may be more susceptible to damage because very small parametric changes could cause the device not to meet its published specifications.

## 8.6 Glossary

[TI Glossary](#) This glossary lists and explains terms, acronyms, and definitions.

## 9 Revision History

NOTE: Page numbers for previous revisions may differ from page numbers in the current version.

Changes from Revision * (October 1997) to Revision A (December 2024)	Page
• Added <i>Pin Functions</i> table, <i>Recommended Operating Conditions</i> table, <i>Thermal Information</i> table, <i>Detailed Description</i> section, <i>Application and Implementation</i> section, <i>Power Supply Recommendations</i> section, <i>Layout</i> section, and the <i>Device and Documentation Support</i> section.....	1
• Changed names on pins 2, 3, 4, 6, and 7 from: $V_{IN-}$ , $V_{IN+}$ , $V_-$ , $V_O$ and $V_+$ to: $-IN$ , $+IN$ , $-VS$ , $OUT$ and $+VS$ ...	3
• Added dual supply specification to <i>Absolute Maximum Ratings</i> .....	4
• Added note clarifying output short-circuit "to ground" in <i>Absolute Maximum Ratings</i> refers to short-circuit to $V_S / 2$ .....	4
• Added test condition of $T_A = -40^\circ\text{C}$ to $+85^\circ\text{C}$ to input bias current drift and input offset current drift parameter in <i>Electrical Characteristics</i> .....	5
• Changed parameter from <i>Offset Voltage RTI vs Power Supply</i> to <i>Power Supply Rejection Ratio</i> in <i>Electrical Characteristics</i> .....	5
• Changed parameter from <i>Input Impedance</i> to <i>Differential impedance</i> and <i>Common-mode impedance</i> in <i>Electrical Characteristics</i> .....	5
• Added test condition to input bias current parameter in <i>Electrical Characteristics</i> .....	5
• Changed voltage noise from $2\mu\text{V}_{pp}$ to $2.7\mu\text{V}_{pp}$ in <i>Electrical Characteristics</i> .....	5
• Changed Bandwidth, $-3\text{dB}$ at $G = 5$ from $120\text{kHz}$ to $100\text{kHz}$ in <i>Electrical Characteristics</i> .....	5
• Changed Bandwidth, $-3\text{dB}$ $G = 100$ from $5\text{kHz}$ to $3\text{kHz}$ in <i>Electrical Characteristics</i> .....	5
• Added test condition to Slew rate parameter in <i>Electrical Characteristics</i> .....	5
• Changed falling Slew rate from $0.16\text{V}/\mu\text{s}$ to $0.12\text{V}/\mu\text{s}$ in <i>Electrical Characteristics</i> .....	5
• Changed Overload recovery from $3\mu\text{s}$ to $22\mu\text{s}$ in <i>Electrical Characteristics</i> .....	5
• Updated <i>Quiescent Current vs Temperature</i> curve in <i>Typical Characteristics</i> section.....	7
• Changed <i>Offset Trimming</i> section.....	14

## 10 Mechanical, Packaging, and Orderable Information

The following pages include mechanical, packaging, and orderable information. This information is the most current data available for the designated devices. This data is subject to change without notice and revision of this document. For browser-based versions of this data sheet, refer to the left-hand navigation.

**PACKAGING INFORMATION**

Orderable Device	Status (1)	Package Type	Package Drawing	Pins	Package Qty	Eco Plan (2)	Lead finish/ Ball material (6)	MSL Peak Temp (3)	Op Temp (°C)	Device Marking (4/5)	Samples
INA122P	ACTIVE	PDIP	P	8	50	RoHS & Green	Call TI	N / A for Pkg Type	-40 to 85	INA122P	<a href="#">Samples</a>
INA122PA	ACTIVE	PDIP	P	8	50	RoHS & Green	Call TI	N / A for Pkg Type		INA122P A	<a href="#">Samples</a>
INA122PAG4	ACTIVE	PDIP	P	8	50	RoHS & Green	Call TI	N / A for Pkg Type		INA122P A	<a href="#">Samples</a>
INA122U	OBSOLETE	SOIC	D	8		TBD	Call TI	Call TI		INA 122U	
INA122U/2K5	ACTIVE	SOIC	D	8	2500	RoHS & Green	Call TI	Level-3-260C-168 HR		INA 122U	<a href="#">Samples</a>
INA122UA	OBSOLETE	SOIC	D	8		TBD	Call TI	Call TI		INA 122U A	
INA122UA/2K5	ACTIVE	SOIC	D	8	2500	RoHS & Green	Call TI	Level-3-260C-168 HR		INA 122U A	<a href="#">Samples</a>

(1) The marketing status values are defined as follows:

**ACTIVE:** Product device recommended for new designs.

**LIFEBUY:** TI has announced that the device will be discontinued, and a lifetime-buy period is in effect.

**NRND:** Not recommended for new designs. Device is in production to support existing customers, but TI does not recommend using this part in a new design.

**PREVIEW:** Device has been announced but is not in production. Samples may or may not be available.

**OBSOLETE:** TI has discontinued the production of the device.

(2) **RoHS:** TI defines "RoHS" to mean semiconductor products that are compliant with the current EU RoHS requirements for all 10 RoHS substances, including the requirement that RoHS substance do not exceed 0.1% by weight in homogeneous materials. Where designed to be soldered at high temperatures, "RoHS" products are suitable for use in specified lead-free processes. TI may reference these types of products as "Pb-Free".

**RoHS Exempt:** TI defines "RoHS Exempt" to mean products that contain lead but are compliant with EU RoHS pursuant to a specific EU RoHS exemption.

**Green:** TI defines "Green" to mean the content of Chlorine (Cl) and Bromine (Br) based flame retardants meet JS709B low halogen requirements of <=1000ppm threshold. Antimony trioxide based flame retardants must also meet the <=1000ppm threshold requirement.

(3) MSL, Peak Temp. - The Moisture Sensitivity Level rating according to the JEDEC industry standard classifications, and peak solder temperature.

(4) There may be additional marking, which relates to the logo, the lot trace code information, or the environmental category on the device.

<sup>(5)</sup> Multiple Device Markings will be inside parentheses. Only one Device Marking contained in parentheses and separated by a "~" will appear on a device. If a line is indented then it is a continuation of the previous line and the two combined represent the entire Device Marking for that device.

<sup>(6)</sup> Lead finish/Ball material - Orderable Devices may have multiple material finish options. Finish options are separated by a vertical ruled line. Lead finish/Ball material values may wrap to two lines if the finish value exceeds the maximum column width.

**Important Information and Disclaimer:**The information provided on this page represents TI's knowledge and belief as of the date that it is provided. TI bases its knowledge and belief on information provided by third parties, and makes no representation or warranty as to the accuracy of such information. Efforts are underway to better integrate information from third parties. TI has taken and continues to take reasonable steps to provide representative and accurate information but may not have conducted destructive testing or chemical analysis on incoming materials and chemicals. TI and TI suppliers consider certain information to be proprietary, and thus CAS numbers and other limited information may not be available for release.

In no event shall TI's liability arising out of such information exceed the total purchase price of the TI part(s) at issue in this document sold by TI to Customer on an annual basis.



**TAPE AND REEL INFORMATION**

**QUADRANT ASSIGNMENTS FOR PIN 1 ORIENTATION IN TAPE**


\*All dimensions are nominal

Device	Package Type	Package Drawing	Pins	SPQ	Reel Diameter (mm)	Reel Width W1 (mm)	A0 (mm)	B0 (mm)	K0 (mm)	P1 (mm)	W (mm)	Pin1 Quadrant
INA122U/2K5	SOIC	D	8	2500	330.0	12.4	6.4	5.2	2.1	8.0	12.0	Q1
INA122UA/2K5	SOIC	D	8	2500	330.0	12.4	6.4	5.2	2.1	8.0	12.0	Q1

**TAPE AND REEL BOX DIMENSIONS**


\*All dimensions are nominal

Device	Package Type	Package Drawing	Pins	SPQ	Length (mm)	Width (mm)	Height (mm)
INA122U/2K5	SOIC	D	8	2500	356.0	356.0	35.0
INA122UA/2K5	SOIC	D	8	2500	356.0	356.0	35.0

**TUBE**


\*All dimensions are nominal

Device	Package Name	Package Type	Pins	SPQ	L (mm)	W (mm)	T (μm)	B (mm)
INA122P	P	PDIP	8	50	506	13.97	11230	4.32
INA122PA	P	PDIP	8	50	506	13.97	11230	4.32
INA122PAG4	P	PDIP	8	50	506	13.97	11230	4.32

## IMPORTANT NOTICE AND DISCLAIMER

TI PROVIDES TECHNICAL AND RELIABILITY DATA (INCLUDING DATA SHEETS), DESIGN RESOURCES (INCLUDING REFERENCE DESIGNS), APPLICATION OR OTHER DESIGN ADVICE, WEB TOOLS, SAFETY INFORMATION, AND OTHER RESOURCES "AS IS" AND WITH ALL FAULTS, AND DISCLAIMS ALL WARRANTIES, EXPRESS AND IMPLIED, INCLUDING WITHOUT LIMITATION ANY IMPLIED WARRANTIES OF MERCHANTABILITY, FITNESS FOR A PARTICULAR PURPOSE OR NON-INFRINGEMENT OF THIRD PARTY INTELLECTUAL PROPERTY RIGHTS.

These resources are intended for skilled developers designing with TI products. You are solely responsible for (1) selecting the appropriate TI products for your application, (2) designing, validating and testing your application, and (3) ensuring your application meets applicable standards, and any other safety, security, regulatory or other requirements.

These resources are subject to change without notice. TI grants you permission to use these resources only for development of an application that uses the TI products described in the resource. Other reproduction and display of these resources is prohibited. No license is granted to any other TI intellectual property right or to any third party intellectual property right. TI disclaims responsibility for, and you will fully indemnify TI and its representatives against, any claims, damages, costs, losses, and liabilities arising out of your use of these resources.

TI's products are provided subject to [TI's Terms of Sale](#) or other applicable terms available either on [ti.com](https://www.ti.com) or provided in conjunction with such TI products. TI's provision of these resources does not expand or otherwise alter TI's applicable warranties or warranty disclaimers for TI products.

TI objects to and rejects any additional or different terms you may have proposed.

Mailing Address: Texas Instruments, Post Office Box 655303, Dallas, Texas 75265  
Copyright © 2024, Texas Instruments Incorporated