

LV2862 60-V, 600-mA, High-Efficiency, Wide Input Voltage Range Buck Converter

1 Features

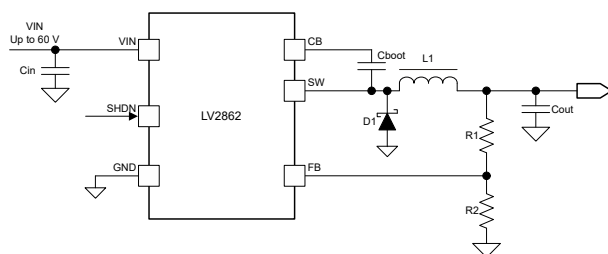
- Input range from 4 V to 60 V with 65-V transients
- 770-kHz (X version) or 2.1-MHz (Y version) switching frequency
- Ultra-high efficiency for light load with Eco-mode
- Low dropout operation
- Output current up to 600 mA
- High-voltage precision enable input
- Overcurrent protection
- Overtemperature protection
- Internal compensation
- Internal soft start
- Small overall solution size (SOT-6L package)

2 Applications

- [Grid infrastructure](#)
- [Appliances](#)
- [Motor drive](#)
- [General purpose wide \$V_{IN}\$ power supplies](#)

3 Description

The LV2862 is a PWM DC/DC buck (step-down) regulator. With a wide input range from 4 V to 60 V, the device is designed for a wide range of applications, from industrial to automotive, for power



Simplified Schematic

conditioning from unregulated source. An ultra-low 1- μ A shutdown current can further prolong battery life. Operating frequency is fixed at 770 kHz (X version) and 2.1 MHz (Y version), allowing the use of small external components while still being able to have low output ripple voltage. Soft start and compensation circuits are implemented internally, which allows the device to be used with minimized external components.

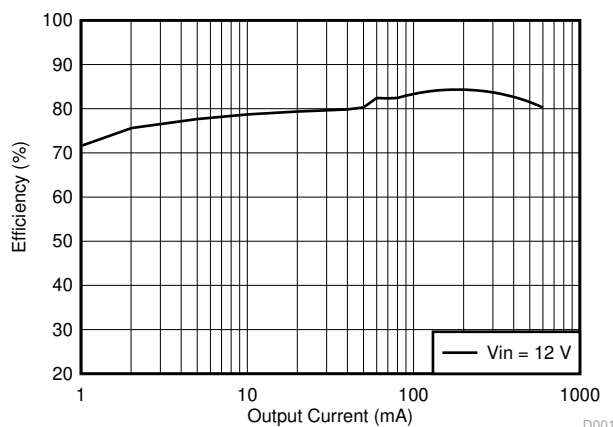
The LV2862 is optimized for up to 600-mA load currents. The device has a 0.765-V nominal feedback voltage.

The device has built-in protection features such as pulse-by-pulse current limit, thermal sensing, and shutdown due to excessive power dissipation. The LV2862 is available in a low profile SOT-6L package.

Package Information

PART NUMBER	PACKAGE ⁽¹⁾	PACKAGE SIZE ⁽²⁾
LV2862	DDC (SOT, 6)	2.90 mm × 2.8 mm

- (1) For all available packages, see the orderable addendum at the end of the data sheet.
- (2) The package size (length × width) is a nominal value and includes pins, where applicable.



Efficiency versus Output Current
($f_{sw} = 0.7$ MHz, $V_{OUT} = 3.3$ V)

D001



Table of Contents

1 Features	1	7.4 Device Functional Modes.....	9
2 Applications	1	8 Application and Implementation	10
3 Description	1	8.1 Application Information.....	10
4 Revision History	2	8.2 Typical Application.....	10
5 Pin Configuration and Functions	3	8.3 Power Supply Recommendations.....	15
6 Specifications	4	8.4 Layout.....	15
6.1 Absolute Maximum Ratings.....	4	9 Device and Documentation Support	17
6.2 ESD Ratings.....	4	9.1 Documentation Support.....	17
6.3 Recommended Operating Conditions.....	4	9.2 Receiving Notification of Documentation Updates....	17
6.4 Thermal Information.....	4	9.3 Support Resources.....	17
6.5 Electrical Characteristics.....	5	9.4 Trademarks.....	17
6.6 Typical Characteristics.....	6	9.5 Electrostatic Discharge Caution.....	17
7 Detailed Description	7	9.6 Glossary.....	17
7.1 Overview.....	7	10 Mechanical, Packaging, and Orderable	
7.2 Functional Block Diagram.....	7	Information	17
7.3 Feature Description.....	7		

4 Revision History

NOTE: Page numbers for previous revisions may differ from page numbers in the current version.

Changes from Revision A (June 2020) to Revision B (June 2023)	Page
• Updated the numbering format for tables, figures, and cross-references throughout the document.....	1
• Updated <i>Package Information</i> table formatting.....	1
• Moved storage temperature row from the <i>Handling Ratings</i> table to the <i>Absolute Maximum Ratings</i> table.....	4
• Updated the <i>Handling Ratings</i> table to <i>ESD Ratings</i> table.....	4
• Corrected part number typo in the <i>Power Supply Recommendations</i> section	15

Changes from Revision * (December 2014) to Revision A (June 2020)	Page
• First public release	1

5 Pin Configuration and Functions

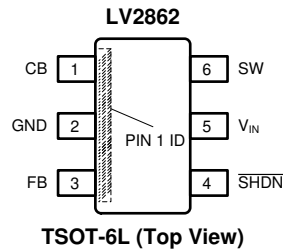


Figure 5-1. SOT (DDC) 6 Pins Top View

Table 5-1. Pin Functions

PIN		DESCRIPTION
NAME	NO.	
CB	1	Switch FET gate bias voltage. Connect C_{boot} cap between CB and SW.
GND	2	Ground connection
FB	3	Set feedback voltage divider ratio with $V_{OUT} = V_{FB} (1 + (R1 / R2))$
SHDN	4	Enable and disable input (high voltage tolerant). Internal pullup current source. Pull below 1.25 V to disable. Float to enable. Establish the input undervoltage lockout with a two-resistor divider.
V_{IN}	5	Power input voltage pin. Input for internal supply and drain node input for internal high-side MOSFET.
SW	6	Switch node. Connect to inductor, diode, and C_{boot} cap.

6 Specifications

6.1 Absolute Maximum Ratings

Over operating free-air temperature range (unless otherwise noted) ⁽¹⁾

		MIN	MAX	UNIT
Input voltages	V _{IN} to GND	-0.3	65	V
	SHDN to GND	-0.3	65	
	FB to GND	-0.3	7	
	CB to SW	-0.3	7	
Output voltages	SW to GND	-1	65	
	SW to GND less than 30-ns transients	-2	65	
T _J operating junction temperature		-40	150	°C
T _{stg} storage temperature range		-55	165	°C

- (1) Stresses beyond those listed under *Absolute Maximum Ratings* may cause permanent damage to the device. These are stress ratings only, which do not imply functional operation of the device at these or any other conditions beyond those indicated under *Recommended Operating Conditions*. Exposure to absolute-maximum-rated conditions for extended periods may affect device reliability.

6.2 ESD Ratings

			MIN	MAX	UNIT
V _(ESD)	Electrostatic discharge	Human body model (HBM), per ANSI/ESDA/JEDEC JS-001, all pins ⁽¹⁾		2000	V
		Charged device model (CDM), per JEDEC specification JESD22-C101, all pins ⁽²⁾		500	

- (1) JEDEC document JEP155 states that 500-V HBM allows safe manufacturing with a standard ESD control process.
(2) JEDEC document JEP157 states that 250-V CDM allows safe manufacturing with a standard ESD control process.

6.3 Recommended Operating Conditions

over operating free-air temperature range (unless otherwise noted)

		MIN	MAX	UNIT
Buck Regulator	V _{IN}	4	60	V
	CB	4	66	
	CB to SW	-0.3	6	
	SW	-1	60	
	FB	0	5	
Control	SHDN	0	60	V
Temperature	Operating junction temperature, T _J	-40	125	°C

6.4 Thermal Information

THERMAL METRIC ⁽¹⁾		LV2862	UNIT
		TSOT	
		6 PINS	
R _{θJA}	Junction-to-ambient thermal resistance	102	°C/W
R _{θJC(top)}	Junction-to-case (top) thermal resistance	36.9	
R _{θJB}	Junction-to-board characterization parameter	28.4	

- (1) All numbers apply for packages soldered directly onto a 3" x 3" PC board with 2 oz. copper on 4 layers in still air in accordance to JEDEC standards. Thermal resistance varies greatly with layout, copper thickness, number of layers in PCB, power distribution, number of thermal vias, board size, ambient temperature, and air flow. For more information about traditional and new thermal metrics, see the *IC Package Thermal Metrics* application report, [SPRA953](#).

6.5 Electrical Characteristics

$V_{IN} = 12\text{ V}$, $\overline{\text{SHDN}} = V_{IN}$. $T_J = 25^\circ\text{C}$ unless otherwise noted.

PARAMETER	CONDITION	MIN	TYP	MAX	UNIT
VIN (Input Power Supply)					
Operating input voltage		4		60	V
Shutdown supply current	EN = 0 V		1	3	μA
Undervoltage lockout thresholds	Rising			4	V
	Falling	3			V
I_Q	Eco-mode, no load, $V_{IN} = 12\text{ V}$, not switching		28		μA
SHDN and UVLO					
Rising $\overline{\text{SHDN}}$ Threshold Voltage		1.05	1.25	1.38	V
$\overline{\text{SHDN}}$ PIN current	$\overline{\text{SHDN}} = 2.3\text{ V}$		-4.2		μA
	$\overline{\text{SHDN}} = 0.9\text{ V}$		-1		μA
Hysteresis current			-3		μA
HIGH-SIDE MOSFET					
On-resistance	$V_{IN} = 12\text{ V}$, CB to SW = 5.8 V		900		m Ω
t_{ON-min}	$f_{SW} = 2.1\text{ MHz}$		80		ns
D_{MAX} : Maximum duty cycle			96%		
V_{FB} : Feedback voltage		0.74	0.765	0.79	V
CURRENT LIMIT					
Peak Current limit threshold			1200		mA
f_{SW} Switching frequency	LV2862X	560	770	980	kHz
	LV2862Y	1785	2100	2415	
THERMAL PERFORMANCE					
$T_{SHUTDOWN}$ Thermal shutdown trip point			170		$^\circ\text{C}$
T_{hys}	Hysteresis		10		$^\circ\text{C}$

6.6 Typical Characteristics

Unless otherwise specified the following conditions apply: $V_{IN} = 12\text{ V}$, $SHDN = V_{IN}$, $T_A = 25^\circ\text{C}$

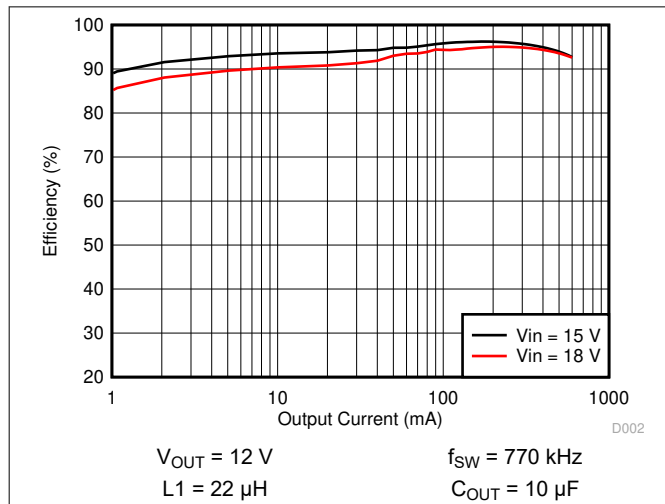


Figure 6-1. Efficiency versus Load Current

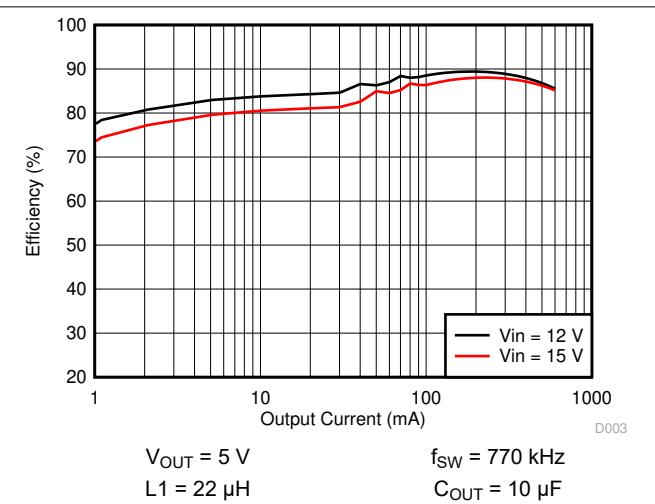


Figure 6-2. Efficiency versus Load Current

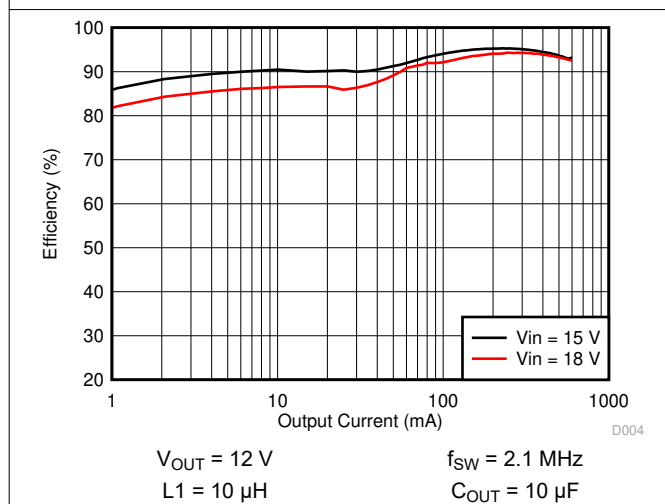


Figure 6-3. Efficiency versus Load Current

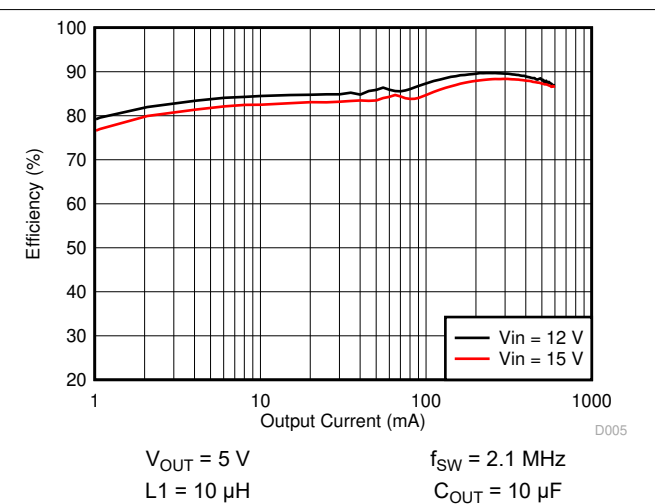


Figure 6-4. Efficiency versus Load Current

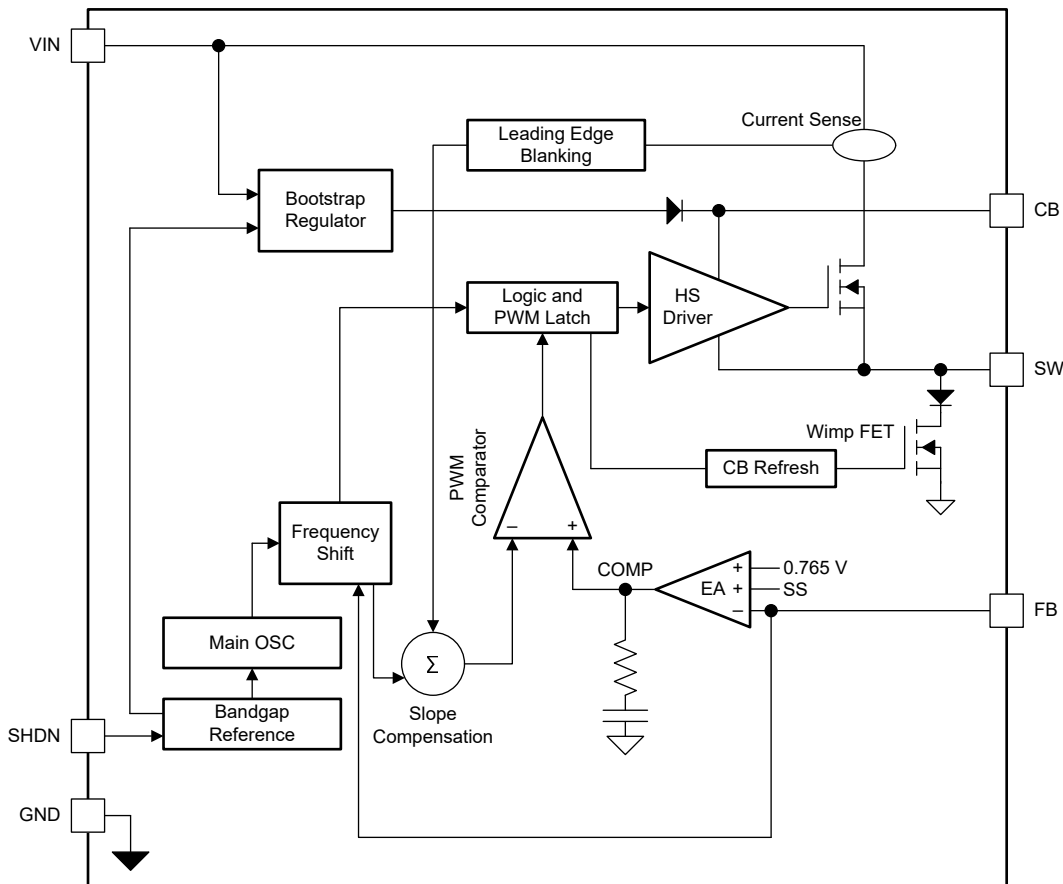
7 Detailed Description

7.1 Overview

The LV2862 device is a 60-V, 600-mA, step-down (buck) regulator. The buck regulator has a very low quiescent current during light load to prolong the battery life.

The LV2862 improves performance during line and load transients by implementing a constant frequency, current mode control which reduces output capacitance and simplifies frequency compensation design. The LV2862 reduces the external component count by integrating the boot recharge diode. The bias voltage for the integrated high-side MOSFET is supplied by a capacitor on the CB to SW pin. The boot capacitor voltage is monitored by a UVLO circuit and turns the high-side MOSFET off when the boot voltage falls below a preset threshold. The LV2862 can operate at high duty cycles because of the boot UVLO and refresh the wimp FET. The output voltage can be stepped down to as low as the 0.8 V. Internal soft start is featured to minimize inrush currents.

7.2 Functional Block Diagram



7.3 Feature Description

7.3.1 Continuous Conduction Mode

The LV2862 steps the input voltage down to a lower output voltage. In continuous conduction mode (when the inductor current never reaches zero at CCM), the buck regulator operates in two cycles. The power switch is connected between V_{IN} and SW. In the first cycle of operation, the transistor is closed and the diode is reverse biased. Energy is collected in the inductor and the load current is supplied by C_{out} and the rising current through the inductor. During the second cycle, the transistor is open and the diode is forward biased due to the fact that the inductor current cannot instantaneously change direction. The energy stored in the inductor is transferred to the load and output capacitor. The ratio of these two cycles determines the output voltage. The output voltage is

defined approximately as: $D = V_{OUT} / V_{IN}$ and $D' = (1 - D)$ where D is the duty cycle of the switch. D and D' are required for design calculations.

7.3.2 Fixed Frequency PWM Control

The LV2862 has two fixed frequency options and implements peak current mode control. The output voltage is compared through external resistors on the FB pin to an internal voltage reference by an error amplifier that drives the internal COMP node. An internal oscillator initiates the turnon of the high-side power switch. The error amplifier output is compared to the high-side power switch current. When the power switch current reaches the level set by the internal COMP voltage, the power switch is turned off. The internal COMP node voltage increases and decreases as the output current increases and decreases. The device implements a current limit by clamping the COMP node voltage to a maximum level.

7.3.3 Eco-mode

The LV2862 operates in Eco-mode at light load currents to improve efficiency by reducing switching and gate drive losses. For Eco-mode operation, the LV2862 senses peak current, not average or load current, so the load current where the device enters Eco-mode is dependent on V_{IN} , V_{OUT} , and the output inductor value. When the load current is low and the output voltage is within regulation, the device enters ECO mode (see [Figure 8-10](#)) and draws only 28- μ A input quiescent current.

7.3.4 Bootstrap Voltage (CB)

The LV2862 has an integrated boot regulator, and requires a small ceramic capacitor between the CB and SW pins to provide the gate drive voltage for the high-side MOSFET. The CB capacitor is refreshed when the high-side MOSFET is off and the low-side diode conducts.

To improve dropout, the LV2862 is designed to operate at 96% duty cycle as long as the CB to SW pin voltage is greater than 3 V. When the voltage from CB to SW drops below 3 V, the high-side MOSFET is turned off using an UVLO circuit which allows the low-side diode to conduct and refresh the charge on the CB capacitor. Because the supply current sourced from the CB capacitor is low, the high-side MOSFET can remain on for more switching cycles than is required to refresh the capacitor, thus the effective duty cycle of the switching regulator is high.

Attention must be taken in maximum duty cycle applications with light load. To ensure SW can be pulled to ground to refresh the CB capacitor, an internal circuit charges the CB capacitor when the load is light or the device is working in dropout condition.

7.3.5 Enable ($\overline{\text{SHDN}}$) and VIN Undervoltage Lockout (UVLO)

The LV2862 $\overline{\text{SHDN}}$ pin is a high-voltage tolerant input with an internal pullup circuit. The device can be enabled even if the $\overline{\text{SHDN}}$ pin is floating. The regulator can also be turned on using 1.25 V or higher logic signals. It can be used if the use of a higher voltage is desired due to system or other constraints. A 100-k Ω or larger resistor is recommended between the applied voltage and the $\overline{\text{SHDN}}$ pin to protect the device. When $\overline{\text{SHDN}}$ is pulled down to 0 V, the chip is turned off and enters the lowest shutdown current mode. In shutdown mode, the supply current is decreased to approximately 1 μ A. If the shutdown function is not to be used, the $\overline{\text{SHDN}}$ pin can be tied to V_{IN} through a 100-k Ω resistor. The maximum voltage to the $\overline{\text{SHDN}}$ pin must not exceed 60 V. The LV2862 has an internal UVLO circuit to shut down the output if the input voltage falls below an internally fixed UVLO threshold level. This ensures that the regulator is not latched into an unknown state during low input voltage conditions. The regulator powers up when the input voltage exceeds the voltage level. If there is a requirement for a higher UVLO voltage, the $\overline{\text{SHDN}}$ pin can be used to adjust the input voltage UVLO by using external resistors.

7.3.6 Setting the Output Voltage

The output voltage is set using the feedback pin and a resistor divider connected to the output as shown on the front page schematic. The feedback pin voltage is 0.765 V, so the ratio of the feedback resistors sets the output voltage according to [Equation 1](#):

$$V_{OUT} = 0.765 \text{ V} (1 + (R1 / R2)) \quad (1)$$

Typically, R2 is given as 1 kΩ–100 kΩ for a starting value. To solve for R1 given R2 and V_{OUT} , use $R1 = R2 \cdot ((V_{OUT} / 0.765 \text{ V}) - 1)$.

7.3.7 Current Limit

The LV2862 implements current mode control which uses the internal COMP voltage to turn off the high-side MOSFET on a cycle-by-cycle basis. Each cycle, the switch current and internal COMP voltage are compared. When the peak switch current intersects the COMP voltage, the high-side switch is turned off. During overcurrent conditions that pull the output voltage low, the error amplifier responds by driving the COMP node high, increasing the switch current. The error amplifier output is clamped internally, which functions as a switch current limit.

7.3.8 Thermal Shutdown

The device implements an internal thermal shutdown to protect itself if the junction temperature exceeds 170°C (typ). The thermal shutdown forces the device to stop switching when the junction temperature exceeds the thermal trip threshold. After the junction temperature decreases below 160°C (typ), the device reinitiates the power-up sequence.

7.4 Device Functional Modes

This device does not have any device functional modes.

8 Application and Implementation

Note

Information in the following applications sections is not part of the TI component specification, and TI does not warrant its accuracy or completeness. TI's customers are responsible for determining suitability of components for their purposes, as well as validating and testing their design implementation to confirm system functionality.

8.1 Application Information

The LV2862 is a PWM DC/DC buck (step-down) regulator. With a wide input range from 4 V to 60 V, it is suitable for a wide range of applications from, industrial to automotive, for power conditioning from unregulated source. Soft start and compensation circuits are implemented internally, which allow the device to be used with minimized external components.

8.2 Typical Application

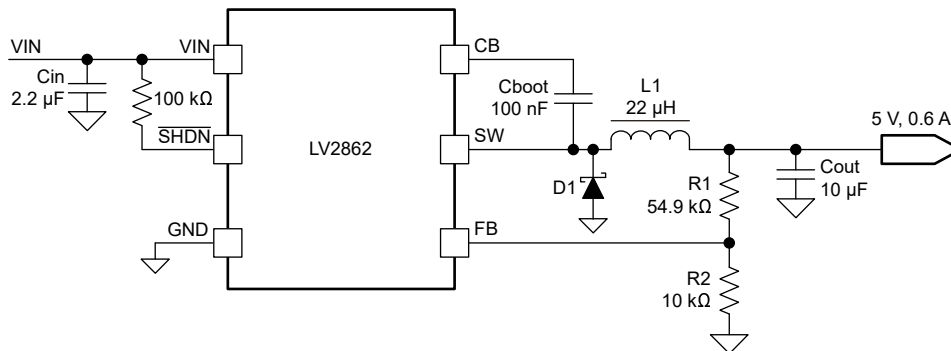


Figure 8-1. Application Circuit, 5-V Output

8.2.1 Design Requirements

8.2.1.1 Design Guide – Step By Step Design Procedure

Table 8-1 details the design of a high frequency switching regulator using ceramic output capacitors. A few parameters must be known to start the design process. These parameters are typically determined at the system level:

Table 8-1. Design Parameters

Input Voltage, V_{IN}	9 V to 16 V, Typical 12 V	
Output Voltage, V_{OUT}	5.0 V \pm 3%	
Maximum Output Current Example I_{O_max}	0.6 A	
Minimum Output Current Example I_{O_min}	0.03 A	
Transient Response 0.03 A to 0.6 A	5%	
Output Voltage Ripple	1%	
Switching Frequency f_{SW}	770 kHz	
Target during Load Transient	Overvoltage Peak Value	106% of Output Voltage
	Undervoltage Value	91% of Output Voltage

8.2.2 Detailed Design Procedure

8.2.2.1 Selecting the Switching Frequency

The first step is to decide on a switching frequency for the regulator. Typically, choose the highest switching frequency possible because this switching frequency produces the smallest solution size. The high switching

frequency allows for lower valued inductors and smaller output capacitors compared to a power supply that switches at a lower frequency. The switching frequency that can be selected is limited by the minimum on-time of the internal power switch, the input voltage and the output voltage, and the frequency shift limitation. For this example, the output voltage is 5 V, the maximum input voltage is 16 V, and a switching frequency of 770 kHz is used.

8.2.2.2 Output Inductor Selection

The most critical parameters for the inductor are the inductance, peak current, and the DC resistance. The inductance is related to the peak-to-peak inductor ripple current, the input, and the output voltages. Because the ripple current increases with the input voltage, the maximum input voltage is always used to determine the inductance. To calculate the minimum value of the output inductor, use Equation 1. A reasonable value for the ripple current is 40% (K_{IND}) of the DC output current. For this design example, the minimum inductor value is calculated to be 20.4 μH , and a nearest standard value was chosen: 22 μH . For the output filter inductor, it is important that the RMS current and saturation current ratings not be exceeded. The RMS and peak inductor current can be found in Equation 3 and Equation 4. The inductor ripple current is 0.22 A, and the RMS current is 0.6 A. As the equation set demonstrates, lower ripple currents reduce the output voltage ripple of the regulator but require a larger value of inductance. A good starting point for most applications is 22 μH with a 1.6-A current rating. Using a rating near 1.6 A enables the LV2862 to current limit without saturating the inductor. This is preferable to the LV2862 going into thermal shutdown mode and the possibility of damaging the inductor if the output is shorted to ground or other long-term overload.

$$L_{o \min} = \frac{V_{in \max} - V_{out}}{I_o \times K_{IND}} \times \frac{V_{out}}{V_{in \max} \times f_{sw}} \quad (2)$$

$$I_{ripple} = \frac{V_{out} \times (V_{in \max} - V_{out})}{V_{in \max} \times L_o \times f_{sw}} \quad (3)$$

$$I_{L-RMS} = \sqrt{I_o^2 + \frac{1}{12} I_{ripple}^2} \quad (4)$$

$$I_{L-peak} = I_o + \frac{I_{ripple}}{2} \quad (5)$$

8.2.2.3 Output Capacitor Selection

The selection of C_{OUT} is mainly driven by three primary considerations. The output capacitor determines the modulator pole, the output voltage ripple, and how the regulator responds to a large change in load current. The output capacitance needs to be selected based on the most stringent of these three criteria.

The first criterion is the desired response to a large change in the load current. The regulator usually needs two or more clock cycles for the control loop to see the change in load current and output voltage and adjust the duty cycle to react to the change. The output capacitance must be large enough to supply the difference in current for two clock cycles while only allowing a tolerable amount of droop in the output voltage. Equation 5 shows the minimum output capacitance necessary to accomplish this. The transient load response is specified as a 3% change in V_{OUT} for a load step from 0.03 A to 0.6 A (full load), $\Delta I_{OUT} = 0.6 - 0.03 = 0.57$ A and $\Delta V_{OUT} = 0.03 \times 5 = 0.15$ V. Using these numbers gives a minimum capacitance of 10.8 μF . For ceramic capacitors, the ESR is usually small enough to ignore in this calculation. Aluminum electrolytic and tantalum capacitors have higher ESR that must be taken into account.

The stored energy in the inductor produces an output voltage overshoot when the load current rapidly decreases. The output capacitor must also be sized to absorb energy stored in the inductor when transitioning from a high load current to a lower load current. Equation 6 is used to calculate the minimum capacitance to keep the output voltage overshoot to a desired value. Where L is the value of the inductor, I_{OH} , is the output current under heavy load, I_{OL} is the output under light load, V_f is the final peak output voltage, and V_i is the initial capacitor voltage. For this example, the worst case load step is from 0.6 A to 0.03 A. The output voltage increases during this load transition and the stated maximum in our specification is 3% of the output voltage.

This makes $V_{o_overshoot} = 1.03 \times 5 = 5.15$ V. V_i is the initial capacitor voltage which is the nominal output voltage of 5 V. Using these numbers in Equation 6 yields a minimum capacitance of 5.2 μ F.

Equation 7 calculates the minimum output capacitance needed to meet the output voltage ripple specification where f_{sw} is the switching frequency, V_{o_ripple} is the maximum allowable output voltage ripple, and I_{L_ripple} is the inductor ripple current. Equation 7 yields 0.26 μ F. Equation 8 calculates the maximum ESR an output capacitor can have to meet the output voltage ripple specification. indicates the ESR must be less than 680 m Ω .

Additional capacitance de-ratings for aging, temperature, and dc bias must be factored in which increases this minimum value. For this example, 10- μ F ceramic capacitors are used. Capacitors in the range of 10 μ F–100 μ F are a good starting point with an ESR of 0.7 Ω or less.

$$C_{out} > \frac{2 \times \Delta I_{out}}{f_{sw} \times \Delta V_{out}} \quad (6)$$

$$C_{out} > L_o \times \frac{(I_{oh}^2 - I_{ol}^2)}{(V_f^2 - V_t^2)} \quad (7)$$

$$C_{out} > \frac{1}{8 \times f_{sw}} \times \frac{1}{\frac{V_{o_ripple}}{I_{L_ripple}}} \quad (8)$$

$$R_{ESR} < \frac{V_{o_ripple}}{I_{L_ripple}} \quad (9)$$

8.2.2.4 Schottky Diode Selection

The breakdown voltage rating of the diode is preferred to be 25% higher than the maximum input voltage. In the target application, the current rating for the diode must be equal to the maximum output current for best reliability in most applications. In cases where the input voltage is not much greater than the output voltage, the average diode current is lower. In this case, it is possible to use a diode with a lower average current rating, approximately $(1 - D) \times I_{OUT}$. However, the peak current rating must be higher than the maximum load current. A 0.5-A to 1-A rated diode is a good starting point.

8.2.2.5 Input Capacitor Selection

A low ESR ceramic capacitor is needed between the VIN pin and ground pin. This capacitor prevents large voltage transients from appearing at the input. Use a 2.2 μ F–10 μ F value with X5R or X7R dielectric. Depending on construction, the value of a ceramic capacitor can decrease up to 50% of its nominal value when rated voltage is applied. Consult with the capacitor manufacturer's data sheet for information on capacitor derating over voltage and temperature. The capacitor must also have a ripple current rating greater than the maximum input current ripple of the LV2862. The input ripple current can be calculated using Equation 10 and Equation 11.

For this example design, one 4.7- μ F, 50-V capacitor is selected. The input capacitance value determines the input ripple voltage of the regulator. The input voltage ripple can be calculated using Equation 10. Using the design example values, $I_{outmax} = 0.6$ A, $C_{in} = 2.2$ μ F, and $f_{sw} = 770$ kHz yields an input voltage ripple of 97 mV and an RMS input ripple current of 0.3 A.

$$I_{cirms} = I_{out} \times \sqrt{\frac{V_{out}}{V_{in\ min}} \times \frac{(V_{in\ min} - V_{out})}{V_{in\ min}}} \quad (10)$$

$$\Delta V_{in} = \frac{I_{out\ max} \times 0.25}{C_{in} \times f_{sw}} \quad (11)$$

8.2.2.5.1 Bootstrap Capacitor Selection

A 0.1- μF ceramic capacitor or larger is recommended for the bootstrap capacitor (C_{BOOT}). For applications where the input voltage is close to output voltage, a larger capacitor is recommended, generally 0.1 μF to 1 μF to ensure plenty of gate drive for the internal switches and a consistently low $R_{\text{DS(ON)}}$. A ceramic capacitor with an X7R or X5R grade dielectric with a voltage rating of 10 V or higher is recommended because of the stable characteristics over temperature and voltage.

Table 8-2. Output Voltage Inductor and Capacitor Combinations

P/N	V _{OUT} (V)	R1 (k Ω)	R2 (k Ω)	L (μH)	C _{OUT} (μF)
LV2862X	5	54.9 (1%)	10 (1%)	22	10
LV2862X	5.7	64.9 (1%)	10 (1%)	22	10
LV2862X	12	147 (1%)	10 (1%)	22	10

8.2.2.5.1.1 Typical Application Circuits

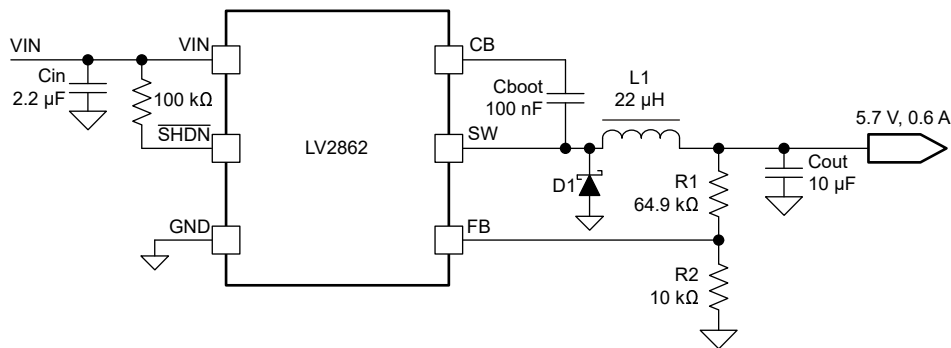


Figure 8-2. Application Circuit, 5.7-V Output

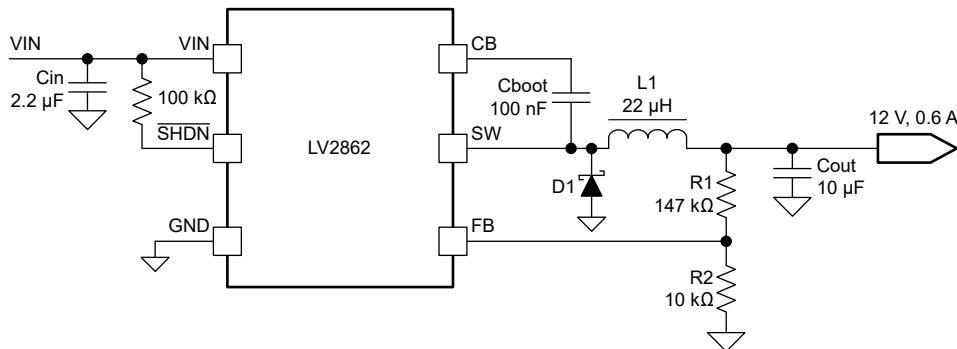
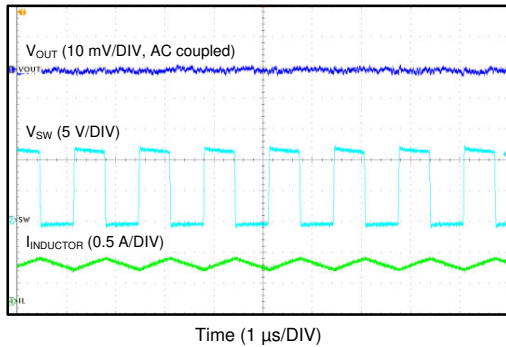


Figure 8-3. Application Circuit, 12-V Output

Table 8-2 lists the recommended typical output voltage inductor/capacitor combinations for optimized total solution size.

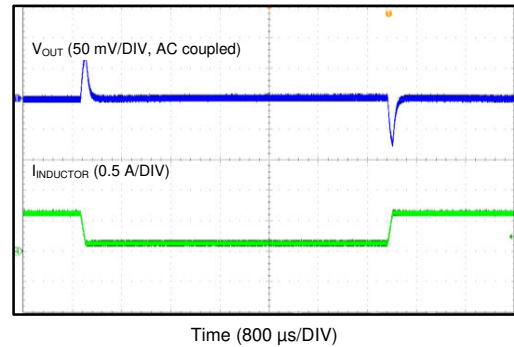
8.2.3 Application Curves

Unless otherwise specified the following conditions apply: $V_{IN} = 12\text{ V}$, $f_{SW} = 770\text{ kHz}$, $L = 22\text{ }\mu\text{H}$, $C_{OUT} = 10\text{ }\mu\text{F}$, $T_A = 25^\circ\text{C}$



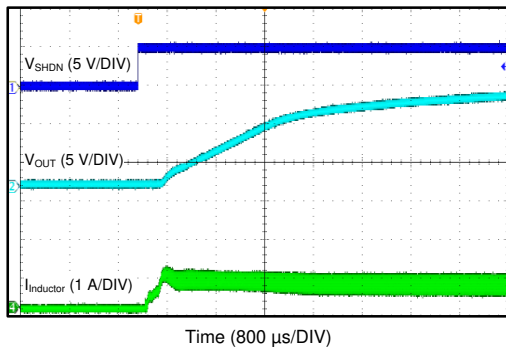
$V_{OUT} = 5\text{ V}$ $I_{OUT} = 600\text{ mA}$

Figure 8-4. Switching Node and Output Voltage Waveform



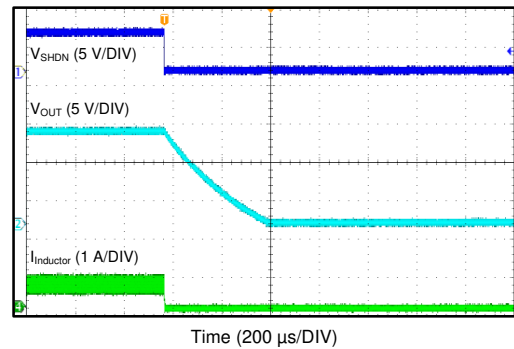
$V_{OUT} = 5\text{ V}$

Figure 8-5. Load Transient Between 0.1 A and 0.6 A



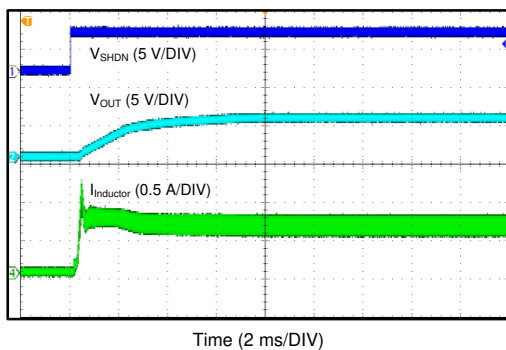
$V_{IN} = 15\text{ V}$ $V_{OUT} = 12\text{ V} / 600\text{ mA}$

Figure 8-6. Start-up Waveform



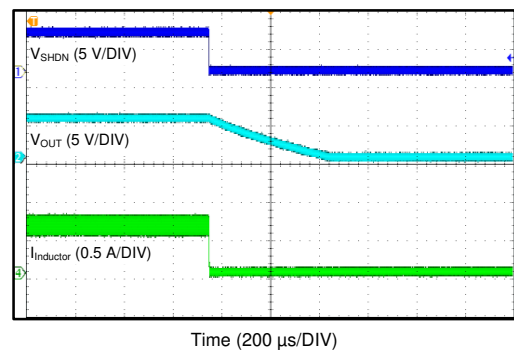
$V_{IN} = 15\text{ V}$ $V_{OUT} = 12\text{ V} / 600\text{ mA}$

Figure 8-7. Shutdown Waveform



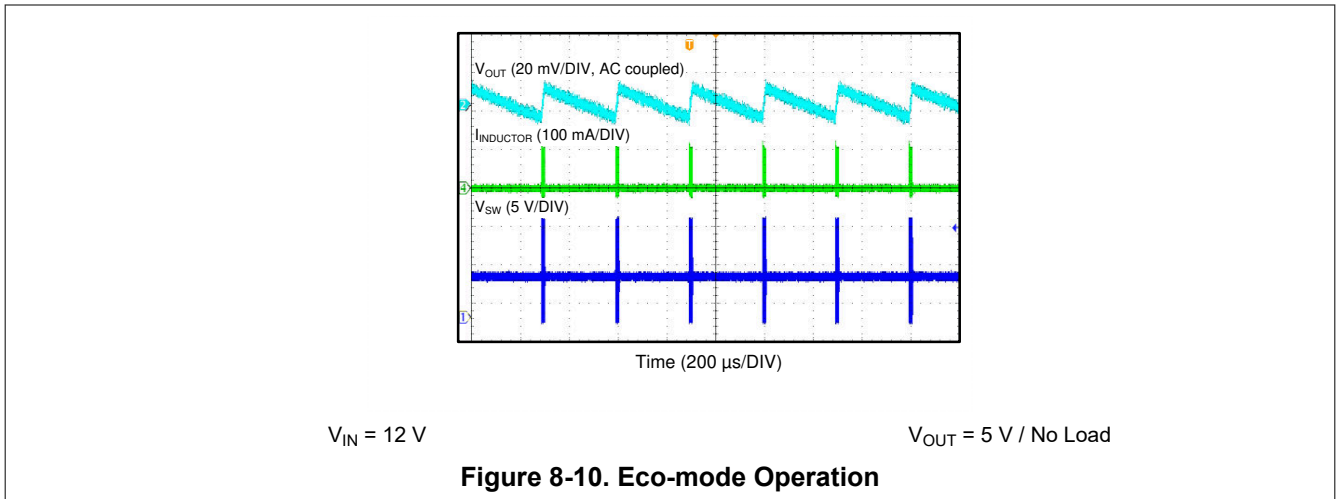
$V_{IN} = 12\text{ V}$ $V_{OUT} = 5\text{ V} / 600\text{ mA}$

Figure 8-8. Start-up Waveform



$V_{IN} = 12\text{ V}$ $V_{OUT} = 5\text{ V} / 600\text{ mA}$

Figure 8-9. Shutdown Waveform



8.3 Power Supply Recommendations

The LV2862 is designed to operate from an input voltage supply range between 4 V and 60 V. This input supply must be able to withstand the maximum input current and maintain a voltage above 4 V. The resistance of the input supply rail must be low enough that an input current transient does not cause a high enough drop at the LV2862 supply voltage that can cause a false UVLO fault triggering and system reset. If the input supply is located more than a few inches from the LV2862, additional bulk capacitance can be required in addition to the ceramic input capacitors.

8.4 Layout

8.4.1 Layout Guidelines

Layout is a critical portion of good power supply design. The following guidelines help users design a PCB with the best power conversion performance, thermal performance, and minimized generation of unwanted EMI.

1. The feedback network, resistors R1 and R2, must be kept close to the FB pin and away from the inductor to minimize coupling noise into the feedback pin.
2. The input capacitor C_{IN} must be placed close to the V_{IN} pin. This reduces copper trace inductance which affects input voltage ripple of the IC.
3. The inductor L1 must be placed close to the SW pin to reduce magnetic and electrostatic noise.
4. The output capacitor C_{OUT} must be placed close to the junction of L1 and the diode D1. The L1, D1, and C_{OUT} trace must be as short as possible to reduce conducted and radiated noise.
5. The ground connection for the diode, C_{IN} and C_{OUT} must be tied to the system ground plane in only one spot (preferably at the C_{OUT} ground point) to minimize conducted noise in the system ground plane.
6. For more detail on switching power supply layout considerations, see Application Note AN-1149, [Layout Guidelines for Switching Power Supplies](#).

8.4.2 Layout Example

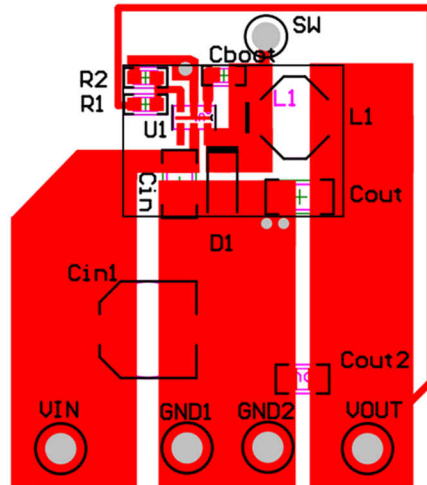


Figure 8-11. Layout Example

9 Device and Documentation Support

9.1 Documentation Support

9.1.1 Related Documentation

Texas Instruments, [Layout Guidelines for Switching Power Supplies](#) application report

9.2 Receiving Notification of Documentation Updates

To receive notification of documentation updates, navigate to the device product folder on [ti.com](#). Click on *Subscribe to updates* to register and receive a weekly digest of any product information that has changed. For change details, review the revision history included in any revised document.

9.3 Support Resources

[TI E2E™ support forums](#) are an engineer's go-to source for fast, verified answers and design help — straight from the experts. Search existing answers or ask your own question to get the quick design help you need.

Linked content is provided "AS IS" by the respective contributors. They do not constitute TI specifications and do not necessarily reflect TI's views; see TI's [Terms of Use](#).

9.4 Trademarks

TI E2E™ is a trademark of Texas Instruments.
All trademarks are the property of their respective owners.

9.5 Electrostatic Discharge Caution



This integrated circuit can be damaged by ESD. Texas Instruments recommends that all integrated circuits be handled with appropriate precautions. Failure to observe proper handling and installation procedures can cause damage.

ESD damage can range from subtle performance degradation to complete device failure. Precision integrated circuits may be more susceptible to damage because very small parametric changes could cause the device not to meet its published specifications.

9.6 Glossary

[TI Glossary](#) This glossary lists and explains terms, acronyms, and definitions.

10 Mechanical, Packaging, and Orderable Information

The following pages include mechanical, packaging, and orderable information. This information is the most current data available for the designated devices. This data is subject to change without notice and revision of this document. For browser-based versions of this data sheet, refer to the left-hand navigation.

PACKAGING INFORMATION

Orderable Device	Status (1)	Package Type	Package Drawing	Pins	Package Qty	Eco Plan (2)	Lead finish/ Ball material (6)	MSL Peak Temp (3)	Op Temp (°C)	Device Marking (4/5)	Samples
LV2862XLVDDCR	ACTIVE	SOT-23-THIN	DDC	6	3000	RoHS & Green	NIPDAU	Level-1-260C-UNLIM	-40 to 125	C02X	Samples
LV2862XLVDDCT	ACTIVE	SOT-23-THIN	DDC	6	250	RoHS & Green	NIPDAU	Level-1-260C-UNLIM	-40 to 125	C02X	Samples
LV2862YDDCR	ACTIVE	SOT-23-THIN	DDC	6	3000	RoHS & Green	NIPDAU	Level-1-260C-UNLIM	-40 to 125	C02Y	Samples
LV2862YDDCT	ACTIVE	SOT-23-THIN	DDC	6	250	RoHS & Green	NIPDAU	Level-1-260C-UNLIM	-40 to 125	C02Y	Samples

(1) The marketing status values are defined as follows:

ACTIVE: Product device recommended for new designs.

LIFEBUY: TI has announced that the device will be discontinued, and a lifetime-buy period is in effect.

NRND: Not recommended for new designs. Device is in production to support existing customers, but TI does not recommend using this part in a new design.

PREVIEW: Device has been announced but is not in production. Samples may or may not be available.

OBSELETE: TI has discontinued the production of the device.

(2) **RoHS:** TI defines "RoHS" to mean semiconductor products that are compliant with the current EU RoHS requirements for all 10 RoHS substances, including the requirement that RoHS substance do not exceed 0.1% by weight in homogeneous materials. Where designed to be soldered at high temperatures, "RoHS" products are suitable for use in specified lead-free processes. TI may reference these types of products as "Pb-Free".

RoHS Exempt: TI defines "RoHS Exempt" to mean products that contain lead but are compliant with EU RoHS pursuant to a specific EU RoHS exemption.

Green: TI defines "Green" to mean the content of Chlorine (Cl) and Bromine (Br) based flame retardants meet JS709B low halogen requirements of <=1000ppm threshold. Antimony trioxide based flame retardants must also meet the <=1000ppm threshold requirement.

(3) MSL, Peak Temp. - The Moisture Sensitivity Level rating according to the JEDEC industry standard classifications, and peak solder temperature.

(4) There may be additional marking, which relates to the logo, the lot trace code information, or the environmental category on the device.

(5) Multiple Device Markings will be inside parentheses. Only one Device Marking contained in parentheses and separated by a "-" will appear on a device. If a line is indented then it is a continuation of the previous line and the two combined represent the entire Device Marking for that device.

(6) Lead finish/Ball material - Orderable Devices may have multiple material finish options. Finish options are separated by a vertical ruled line. Lead finish/Ball material values may wrap to two lines if the finish value exceeds the maximum column width.

Important Information and Disclaimer:The information provided on this page represents TI's knowledge and belief as of the date that it is provided. TI bases its knowledge and belief on information provided by third parties, and makes no representation or warranty as to the accuracy of such information. Efforts are underway to better integrate information from third parties. TI has taken and

continues to take reasonable steps to provide representative and accurate information but may not have conducted destructive testing or chemical analysis on incoming materials and chemicals. TI and TI suppliers consider certain information to be proprietary, and thus CAS numbers and other limited information may not be available for release.

In no event shall TI's liability arising out of such information exceed the total purchase price of the TI part(s) at issue in this document sold by TI to Customer on an annual basis.

TAPE AND REEL INFORMATION

QUADRANT ASSIGNMENTS FOR PIN 1 ORIENTATION IN TAPE


*All dimensions are nominal

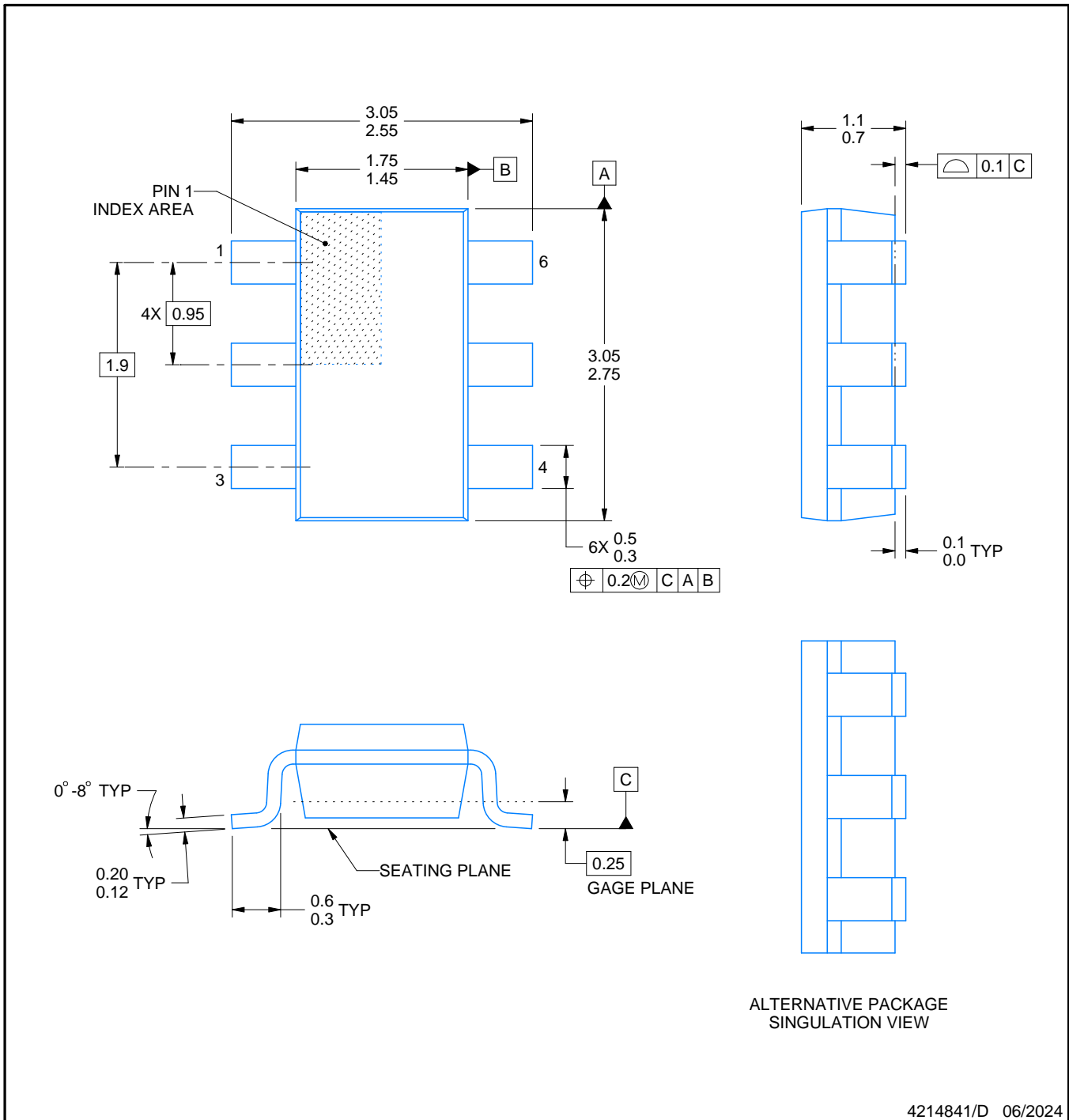
Device	Package Type	Package Drawing	Pins	SPQ	Reel Diameter (mm)	Reel Width W1 (mm)	A0 (mm)	B0 (mm)	K0 (mm)	P1 (mm)	W (mm)	Pin1 Quadrant
LV2862XLVDDCR	SOT-23-THIN	DDC	6	3000	178.0	8.4	3.2	3.2	1.4	4.0	8.0	Q3
LV2862XLVDDCT	SOT-23-THIN	DDC	6	250	180.0	8.4	3.1	3.05	1.1	4.0	8.0	Q3
LV2862XLVDDCT	SOT-23-THIN	DDC	6	250	178.0	8.4	3.2	3.2	1.4	4.0	8.0	Q3
LV2862YDDCR	SOT-23-THIN	DDC	6	3000	178.0	8.4	3.2	3.2	1.4	4.0	8.0	Q3
LV2862YDDCT	SOT-23-THIN	DDC	6	250	178.0	8.4	3.2	3.2	1.4	4.0	8.0	Q3

TAPE AND REEL BOX DIMENSIONS



*All dimensions are nominal

Device	Package Type	Package Drawing	Pins	SPQ	Length (mm)	Width (mm)	Height (mm)
LV2862XLVDDCR	SOT-23-THIN	DDC	6	3000	208.0	191.0	35.0
LV2862XLVDDCT	SOT-23-THIN	DDC	6	250	183.0	183.0	20.0
LV2862XLVDDCT	SOT-23-THIN	DDC	6	250	208.0	191.0	35.0
LV2862YDDCR	SOT-23-THIN	DDC	6	3000	208.0	191.0	35.0
LV2862YDDCT	SOT-23-THIN	DDC	6	250	208.0	191.0	35.0



4214841/D 06/2024

NOTES:

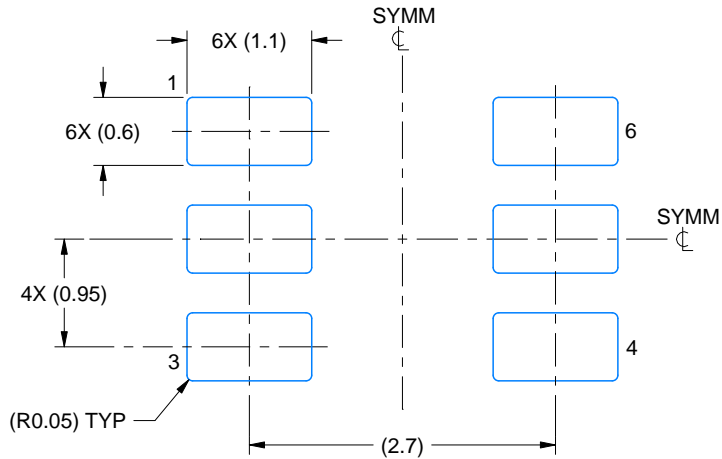
1. All linear dimensions are in millimeters. Any dimensions in parenthesis are for reference only. Dimensioning and tolerancing per ASME Y14.5M.
2. This drawing is subject to change without notice.
3. Reference JEDEC MO-193.

EXAMPLE BOARD LAYOUT

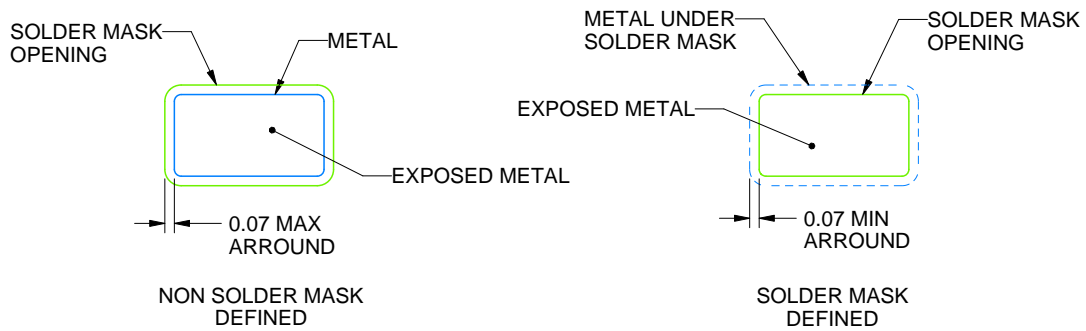
DDC0006A

SOT-23 - 1.1 max height

SMALL OUTLINE TRANSISTOR



LAND PATTERN EXAMPLE
EXPLODED METAL SHOWN
SCALE:15X



SOLDEMASK DETAILS

4214841/D 06/2024

NOTES: (continued)

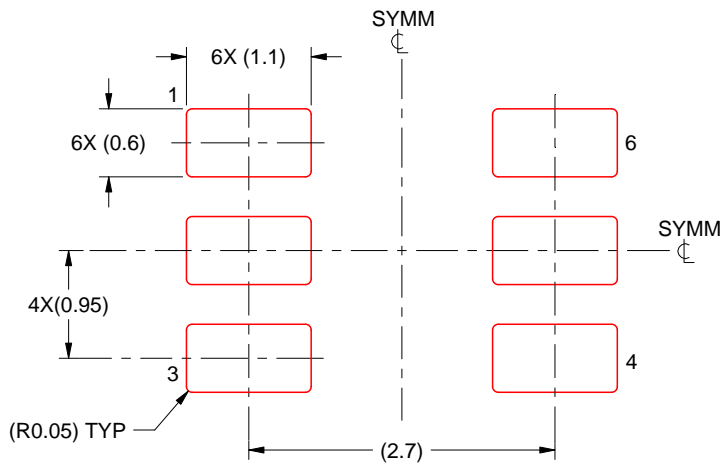
- 4. Publication IPC-7351 may have alternate designs.
- 5. Solder mask tolerances between and around signal pads can vary based on board fabrication site.

EXAMPLE STENCIL DESIGN

DDC0006A

SOT-23 - 1.1 max height

SMALL OUTLINE TRANSISTOR



SOLDER PASTE EXAMPLE
BASED ON 0.125 THICK STENCIL
SCALE:15X

4214841/D 06/2024

NOTES: (continued)

6. Laser cutting apertures with trapezoidal walls and rounded corners may offer better paste release. IPC-7525 may have alternate design recommendations.
7. Board assembly site may have different recommendations for stencil design.

IMPORTANT NOTICE AND DISCLAIMER

TI PROVIDES TECHNICAL AND RELIABILITY DATA (INCLUDING DATA SHEETS), DESIGN RESOURCES (INCLUDING REFERENCE DESIGNS), APPLICATION OR OTHER DESIGN ADVICE, WEB TOOLS, SAFETY INFORMATION, AND OTHER RESOURCES "AS IS" AND WITH ALL FAULTS, AND DISCLAIMS ALL WARRANTIES, EXPRESS AND IMPLIED, INCLUDING WITHOUT LIMITATION ANY IMPLIED WARRANTIES OF MERCHANTABILITY, FITNESS FOR A PARTICULAR PURPOSE OR NON-INFRINGEMENT OF THIRD PARTY INTELLECTUAL PROPERTY RIGHTS.

These resources are intended for skilled developers designing with TI products. You are solely responsible for (1) selecting the appropriate TI products for your application, (2) designing, validating and testing your application, and (3) ensuring your application meets applicable standards, and any other safety, security, regulatory or other requirements.

These resources are subject to change without notice. TI grants you permission to use these resources only for development of an application that uses the TI products described in the resource. Other reproduction and display of these resources is prohibited. No license is granted to any other TI intellectual property right or to any third party intellectual property right. TI disclaims responsibility for, and you will fully indemnify TI and its representatives against, any claims, damages, costs, losses, and liabilities arising out of your use of these resources.

TI's products are provided subject to [TI's Terms of Sale](#) or other applicable terms available either on [ti.com](https://www.ti.com) or provided in conjunction with such TI products. TI's provision of these resources does not expand or otherwise alter TI's applicable warranties or warranty disclaimers for TI products.

TI objects to and rejects any additional or different terms you may have proposed.

Mailing Address: Texas Instruments, Post Office Box 655303, Dallas, Texas 75265
Copyright © 2024, Texas Instruments Incorporated