

SNx4AHCT126 Quadruple Bus Buffer Gates With 3-State Outputs

1 Features

- Inputs are TTL-voltage compatible
- Latch-up performance exceeds 250mA per JESD 17
- ESD protection exceeds JESD 22:
 - 2000V Human-Body Model (A114-A)
 - 200V Machine Model (A115-A)
- On products compliant to MIL-PRF-38535, all parameters are tested unless otherwise noted. On all other products, production processing does not necessarily include testing of all parameters.

2 Applications

- [Servers](#)
- [PCs and notebooks](#)
- [Network switches](#)
- [Wearable health and fitness devices](#)
- [Telecom infrastructures](#)
- [Electronic points-of-sale](#)

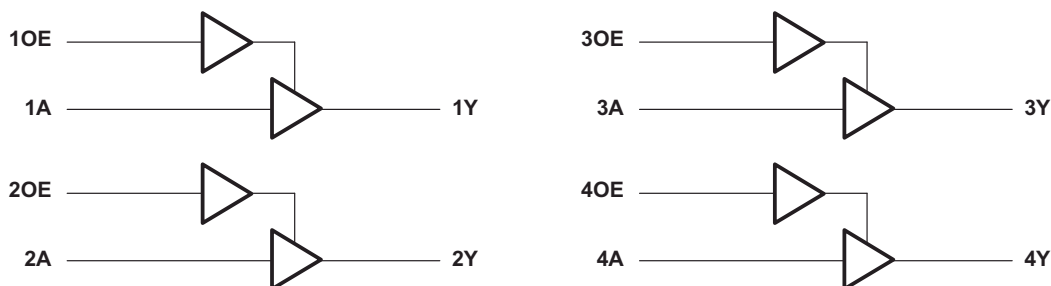
3 Description

The SNxAHCT126 devices are quadruple-bus buffer gates featuring independent line drivers with 3-state outputs.

Device Information

| PART NUMBER | RATING | PACKAGE SIZE ⁽¹⁾ |
|-------------|------------|-----------------------------|
| SN54AHCT126 | Military | D (SOIC, 14) |
| | | DB (SSOP, 14) |
| | | DGV (TVSOP, 14) |
| SN74AHCT126 | Commercial | NS (PDIP, 14) |
| | | N (SOP, 14) |
| | | PW (TSSOP, 14) |
| | | J (CDIP, 14) |
| | | W (CFP, 14) |
| | | BQA (WQFN, 14) |
| | | FK (LCCC, 20) |

(1) For more information, see [Section 11](#).



Simplified Schematic



Table of Contents

| | | | |
|---|----|--|----|
| 1 Features | 1 | 7.2 Functional Block Diagram..... | 10 |
| 2 Applications | 1 | 7.3 Feature Description..... | 10 |
| 3 Description | 1 | 7.4 Device Functional Modes..... | 10 |
| 4 Pin Configuration and Functions | 3 | 8 Application and Implementation | 11 |
| 5 Specifications | 5 | 8.1 Application Information..... | 11 |
| 5.1 Absolute Maximum Ratings..... | 5 | 8.2 Typical Application..... | 11 |
| 5.2 ESD Ratings..... | 5 | 8.3 Power Supply Recommendations..... | 12 |
| 5.3 Recommended Operating Conditions..... | 5 | 8.4 Layout..... | 12 |
| 5.4 Thermal Information..... | 6 | 9 Device and Documentation Support | 13 |
| 5.5 Electrical Characteristics..... | 6 | 9.1 Receiving Notification of Documentation Updates.... | 13 |
| 5.6 Switching Characteristics, $V_{CC} = 5\text{ V} \pm 0.5\text{ V}$ | 7 | 9.2 Support Resources..... | 13 |
| 5.7 Noise Characteristics..... | 7 | 9.3 Trademarks..... | 13 |
| 5.8 Operating Characteristics..... | 7 | 9.4 Electrostatic Discharge Caution..... | 13 |
| 5.9 Typical Characteristics..... | 8 | 9.5 Glossary..... | 13 |
| 6 Parameter Measurement Information | 9 | 10 Revision History | 13 |
| 7 Detailed Description | 10 | 11 Mechanical, Packaging, and Orderable Information | 13 |
| 7.1 Overview..... | 10 | | |

4 Pin Configuration and Functions

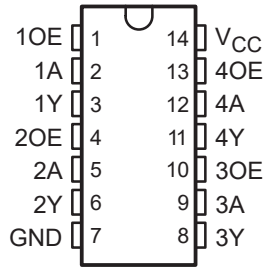
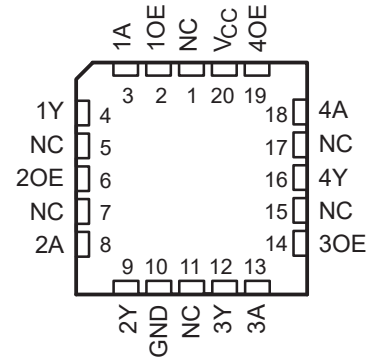


Figure 4-1. SN54AHCT126 J or W Packages, CDIP or CFP
SN74AHCT126 D, DB, DGV, N, NS, or PW Packages, 14-Pin SOIC, SSOP, TVSOP, PDIP, SOP or TSSOP (Top View)



NC – No internal connection
Figure 4-2. SN54AHCT126 FK Package, 20-Pin LCCC (Top View)

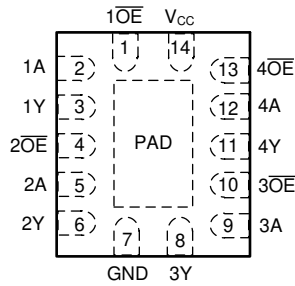


Figure 4-3. SNx4AHCT126 BQA Package, 14-Pin WQFN (Top View)

Table 4-1. Pin Functions

| NAME | PIN | | TYPE ⁽¹⁾ | DESCRIPTION |
|------|--|---------------------------|---------------------|-----------------|
| | SN74AHCT126 D, DB, DGV, N, NS, PW, BQA | SN54AHCT126 J, W FK | | |
| 1A | 2 | 2 | I | 1A Input |
| 1OE | 1 | 1 | I | Output Enable 1 |
| 1Y | 3 | 3 | O | 1Y Output |
| 2A | 5 | 5 | I | 2A Input |
| 2OE | 4 | 4 | I | Output Enable 2 |
| 2Y | 6 | 6 | O | 2Y Output |
| 3A | 9 | 9 | I | 3A Input |
| 3OE | 10 | 10 | I | Output Enable 3 |
| 3Y | 8 | 8 | O | 3Y Output |
| 4A | 12 | 12 | I | 4A Input |
| 4OE | 13 | 13 | I | Output Enable 4 |
| 4Y | 11 | 11 | O | 4Y Output |
| GND | 7 | 7 | — | Ground Pin |

Table 4-1. Pin Functions (continued)

| NAME | PIN | | TYPE ⁽¹⁾ | DESCRIPTION | |
|----------------------------|--|---------------------------|---------------------|-------------|---------------|
| | SN74AHCT126 D, DB, DGV, N, NS, PW, BQA | SN54AHCT126 J, W FK | | | |
| NC | | — | 1 | — | No Connection |
| | | | 5 | | |
| | | | 7 | | |
| | | | 11 | | |
| | | | 15 | | |
| | | | 17 | | |
| V _{CC} | 14 | 14 | 20 | — | Power Pin |
| Thermal Pad ⁽²⁾ | | | | — | Thermal Pad |

(1) I = input, O = output

(2) For BQA package only

5 Specifications

5.1 Absolute Maximum Ratings

over operating free-air temperature range (unless otherwise noted)⁽¹⁾

| | | MIN | MAX | UNIT | |
|---|-------------------------------------|--|-----------------------|------|----|
| V _{CC} | Supply voltage range | -0.5 | 7 | V | |
| V _I | Input voltage range ⁽²⁾ | -0.5 | 7 | V | |
| V _O | Output voltage range ⁽²⁾ | -0.5 | V _{CC} + 0.5 | V | |
| I _{IK} | Input clamp current | V _I < 0 | | -20 | mA |
| I _{OK} | Output clamp current | V _O < 0 or V _O > V _{CC} | | ±20 | mA |
| I _O | Continuous output current | V _O = 0 to V _{CC} | | ±25 | mA |
| Continuous current through V _{CC} or GND | | | | ±50 | mA |

(1) Stresses beyond those listed under *Absolute Maximum Ratings* may cause permanent damage to the device. These are stress ratings only, which do not imply functional operation of the device at these or any other conditions beyond those indicated under *Recommended Operating Conditions*. Exposure to absolute-maximum-rated conditions for extended periods may affect device reliability.

(2) The input and output voltage ratings may be exceeded if the input and output current ratings are observed.

5.2 ESD Ratings

| | | MIN | MAX | UNIT | | |
|--------------------|---------------------------|---|-----|------|------|---|
| T _{stg} | Storage temperature range | -65 | 150 | °C | | |
| V _(ESD) | Electrostatic discharge | Human body model (HBM), per ANSI/ESDA/JEDEC JS-001, all pins ⁽¹⁾ | | 0 | 2000 | V |

(1) JEDEC document JEP155 states that 500-V HBM allows safe manufacturing with a standard ESD control process.

5.3 Recommended Operating Conditions

over operating free-air temperature range (unless otherwise noted)⁽²⁾

| | | SN54AHCT126 ⁽¹⁾ | | SN74AHCT126 | | UNIT |
|-----------------|------------------------------------|----------------------------|-----------------|-------------|-----------------|------|
| | | MIN | MAX | MIN | MAX | |
| V _{CC} | Supply voltage | 4.5 | 5.5 | 4.5 | 5.5 | V |
| V _{IH} | High-level input voltage | 2 | | 2 | | V |
| V _{IL} | Low-level input voltage | | 0.8 | | 0.8 | V |
| V _I | Input voltage | 0 | 5.5 | 0 | 5.5 | V |
| V _O | Output voltage | 0 | V _{CC} | 0 | V _{CC} | V |
| I _{OH} | High-level output current | | -8 | | -8 | mA |
| I _{OL} | Low-level output current | | 8 | | 8 | mA |
| Δt/Δv | Input transition rise or fall rate | | 20 | | 20 | ns/V |
| T _A | Operating free-air temperature | -55 | 125 | -40 | 125 | °C |

(1) Product Preview.

(2) All unused inputs of the device must be held at V_{CC} or GND for proper device operation. Refer to the TI Application Report, *Implications of Slow or Floating CMOS Inputs (SCBA004)*.

5.4 Thermal Information

| THERMAL METRIC ⁽¹⁾ | | SN74AHCT126 | | | | | | | UNIT |
|-------------------------------|--|-------------|-------|-------|------|-------|-------|------|------|
| | | D | DB | DGV | N | NS | PW | BQA | |
| | | 14 PINS | | | | | | | |
| R _{θJA} | Junction-to-ambient thermal resistance | 124.5 | 107.1 | 129.0 | 57.4 | 120.9 | 147.7 | 88.3 | °C/W |
| R _{θJC(top)} | Junction-to-case (top) thermal resistance | 78.8 | 59.6 | 52.1 | 44.9 | 78.2 | 77.4 | 90.9 | |
| R _{θJB} | Junction-to-board thermal resistance | 81 | 54.4 | 62.0 | 37.2 | 81.6 | 90.9 | 56.8 | |
| Ψ _{JT} | Junction-to-top characterization parameter | 37 | 20.5 | 6.5 | 30.1 | 42.8 | 27.2 | 9.9 | |
| Ψ _{JB} | Junction-to-board characterization parameter | 80.6 | 53.8 | 61.3 | 37.1 | 81.1 | 90.2 | 56.7 | |
| R _{θJC(bot)} | Junction-to-case (bottom) thermal resistance | N/A | N/A | N/A | N/A | N/A | N/A | 33.4 | |

(1) For more information about traditional and new thermal metrics, see the *IC Package Thermal Metrics* application report ([SPRA953](#)).

5.5 Electrical Characteristics

over recommended operating free-air temperature range (unless otherwise noted)

| PARAMETER | TEST CONDITIONS | V _{CC} | T _A = 25°C | | | SN54AHCT126 | | SN74AHCT126 | | SN74AHCT126 –40 to 125°C | | UNIT |
|---------------------------------|---|-----------------|-----------------------|-----|-------|-------------|-------------------|-------------|------|-----------------------------|------|------|
| | | | MIN | TYP | MAX | MIN | MAX | MIN | MAX | MIN | MAX | |
| V _{OH} | I _{OH} = –50 μA | 4.5 V | 4.4 | 4.5 | | 4.4 | | 4.4 | | 4.4 | | V |
| | I _{OH} = –8 mA | | 3.94 | | | 3.8 | | 3.8 | | 3.8 | | |
| V _{OL} | I _{OL} = 50 μA | 4.5 V | | | 0.1 | | 0.1 | | 0.1 | | 0.1 | V |
| | I _{OL} = 8 mA | | | | 0.36 | | 0.44 | | 0.44 | | 0.44 | |
| I _I | V _I = 5.5 V or GND | 0 V to 5.5 V | | | ±0.1 | | ±1 ⁽¹⁾ | | ±1 | | ±1 | μA |
| I _{OZ} | V _O = V _{CC} or GND | 5.5 V | | | ±0.25 | | ±2.5 | | ±2.5 | | ±2.5 | μA |
| I _{CC} | V _I = V _{CC} or GND I _O = 0 | 5.5 V | | | 2 | | 20 | | 20 | | 20 | μA |
| ΔI _{CC} ⁽²⁾ | One input at 3.4 V, Other inputs at V _{CC} or GND | 5.5 V | | | 1.35 | | 1.5 | | 1.5 | | 1.5 | mA |
| C _i | V _I = V _{CC} or GND | 5 V | | 4 | 10 | | | | 10 | | | pF |
| C _o | V _O = V _{CC} or GND | 5 V | | 15 | | | | | | | | pF |

(1) On products compliant to MIL-PRF-38535, this parameter is not production tested at V_{CC} = 0 V.

(2) This is the increase in supply current for each input at one of the specified TTL voltage levels, rather than 0 V or V_{CC}.

5.6 Switching Characteristics, $V_{CC} = 5\text{ V} \pm 0.5\text{ V}$

over recommended operating free-air temperature range (unless otherwise noted) (see [Figure 6-1](#))

| PARAMETER | FROM (OUTPUT) | TO (INPUT) | LOAD CAPACITANCE | $T_A = 25^\circ\text{C}$ | | | SN54AHCT126 –55°C to 125°C | | SN74AHCT126 –40°C to 85°C | | SN74AHCT126 –40°C to 125°C | | UNIT |
|-------------|---------------|------------|----------------------|--------------------------|--------------------|--------------------|-------------------------------|--------------------|------------------------------|-----|-------------------------------|-----|------|
| | | | | MIN | TYP | MAX | MIN | MAX | MIN | MAX | MIN | MAX | |
| t_{PLH} | A | Y | $C_L = 15\text{ pF}$ | | 3.8 ⁽¹⁾ | 5.5 ⁽¹⁾ | 1 ⁽¹⁾ | 6.5 ⁽¹⁾ | 1 | 6.5 | 1 | 7 | ns |
| t_{PHL} | | | | 3.8 ⁽¹⁾ | 5.5 ⁽¹⁾ | 1 ⁽¹⁾ | 6.5 ⁽¹⁾ | 1 | 6.5 | 1 | 7 | | |
| t_{PZH} | OE | Y | $C_L = 15\text{ pF}$ | | 3.6 ⁽¹⁾ | 5.1 ⁽¹⁾ | 1 ⁽¹⁾ | 6 ⁽¹⁾ | 1 | 6 | 1 | 6.5 | ns |
| t_{PZL} | | | | 3.6 ⁽¹⁾ | 5.1 ⁽¹⁾ | 1 ⁽¹⁾ | 6 ⁽¹⁾ | 1 | 6 | 1 | 6.5 | | |
| t_{PHZ} | OE | Y | $C_L = 15\text{ pF}$ | | 4.6 ⁽¹⁾ | 6.8 ⁽¹⁾ | 1 ⁽¹⁾ | 8 ⁽¹⁾ | 1 | 8 | 1 | 8.5 | ns |
| t_{PLZ} | | | | 4.6 ⁽¹⁾ | 6.8 ⁽¹⁾ | 1 ⁽¹⁾ | 8 ⁽¹⁾ | 1 | 8 | 1 | 8.5 | | |
| t_{PLH} | A | Y | $C_L = 50\text{ pF}$ | | 5.3 | 7.5 | 1 | 8.5 | 1 | 8.5 | 1 | 9.5 | ns |
| t_{PHL} | | | | 5.3 | 7.5 | 1 | 8.5 | 1 | 8.5 | 1 | 9.5 | | |
| t_{PZH} | OE | Y | $C_L = 50\text{ pF}$ | | 5.1 | 7.1 | 1 | 8 | 1 | 8 | 1 | 9 | ns |
| t_{PZL} | | | | 5.1 | 7.1 | 1 | 8 | 1 | 8 | 1 | 9 | | |
| t_{PHZ} | OE | Y | $C_L = 50\text{ pF}$ | | 6.1 | 8.8 | 1 | 10 | 1 | 10 | 1 | 11 | ns |
| t_{PLZ} | | | | 6.1 | 8.8 | 1 | 10 | 1 | 10 | 1 | 11 | | |
| $t_{sk(o)}$ | | | $C_L = 50\text{ pF}$ | | | 1 ⁽²⁾ | | | | 1 | | 1 | ns |

- (1) On products compliant to MIL-PRF-38535, this parameter is not production tested.
(2) On products compliant to MIL-PRF-38535, this parameter does not apply.

5.7 Noise Characteristics

$V_{CC} = 5\text{ V}$, $C_L = 50\text{ pF}$, $T_A = 25^\circ\text{C}$ ⁽¹⁾

| PARAMETER | | SN74AHCT126 | | UNIT |
|-------------|--|-------------|------|------|
| | | MIN | MAX | |
| $V_{OL(P)}$ | Quiet output, maximum dynamic V_{OL} | | 0.8 | V |
| $V_{OL(V)}$ | Quiet output, minimum dynamic V_{OL} | | –0.8 | V |
| $V_{OH(V)}$ | Quiet output, minimum dynamic V_{OH} | 4.4 | | V |
| $V_{IH(D)}$ | High-level dynamic input voltage | 2 | | V |
| $V_{IL(D)}$ | Low-level dynamic input voltage | | 0.8 | V |

- (1) Characteristics are for surface-mount packages only.

5.8 Operating Characteristics

$V_{CC} = 5\text{ V}$, $T_A = 25^\circ\text{C}$

| PARAMETER | TEST CONDITIONS | TYP | UNIT |
|-----------|-------------------------------|-----------------------------|-------|
| C_{pd} | Power dissipation capacitance | No load, $f = 1\text{ MHz}$ | 14 pF |

5.9 Typical Characteristics

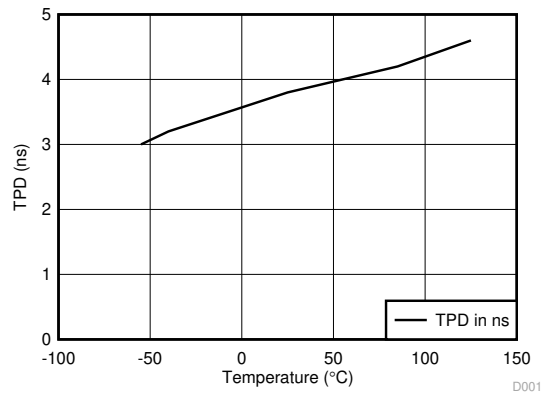
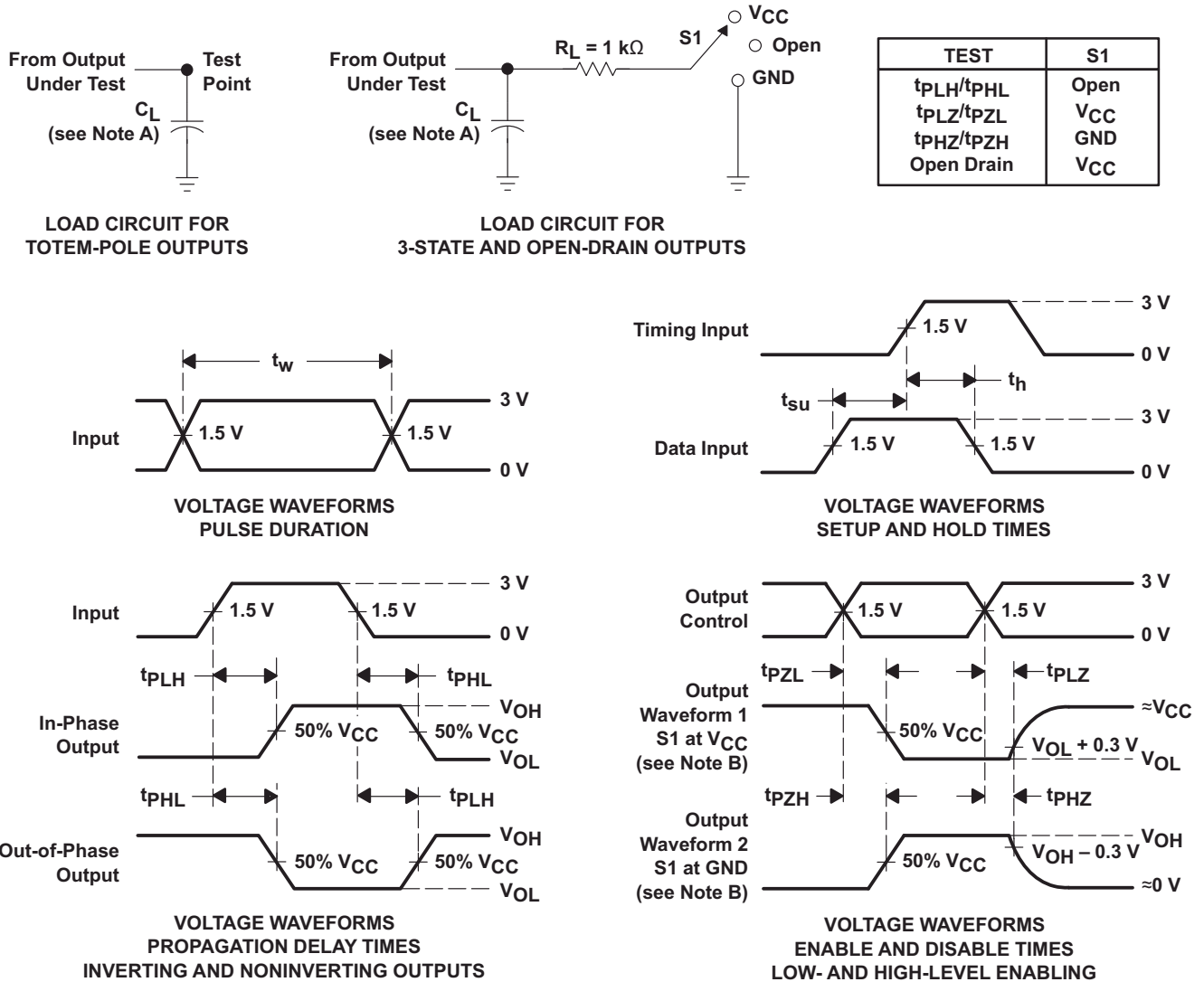


Figure 5-1. TPD vs Temperature

6 Parameter Measurement Information



- NOTES: A. C_L includes probe and jig capacitance.
 B. Waveform 1 is for an output with internal conditions such that the output is low except when disabled by the output control. Waveform 2 is for an output with internal conditions such that the output is high except when disabled by the output control.
 C. All input pulses are supplied by generators having the following characteristics: PRR $\leq 1\text{ MHz}$, $Z_O = 50\ \Omega$, $t_r \leq 3\text{ ns}$, $t_f \leq 3\text{ ns}$.
 D. The outputs are measured one at a time with one input transition per measurement.
 E. All parameters and waveforms are not applicable to all devices.

Figure 6-1. Load Circuit and Voltage and Waveforms

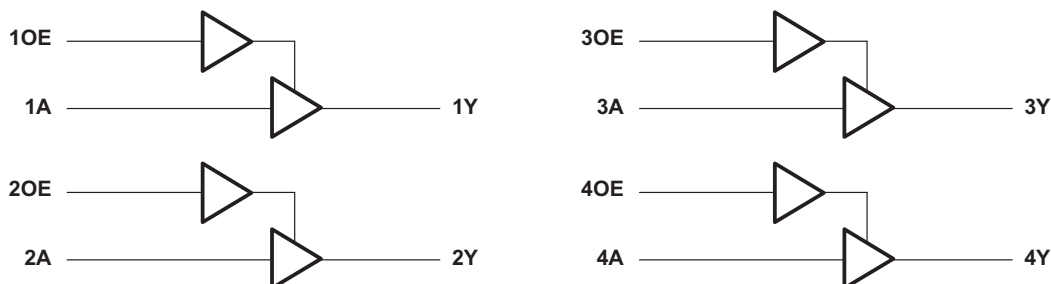
7 Detailed Description

7.1 Overview

The SNxAHCT126 devices are quadruple-bus buffer gates featuring independent line drivers with 3-state outputs.

Each output is disabled when the associated output-enable (OE) input is low. When OE is high, the respective gate passes the data from the A input to the Y output. For the high-impedance state during power up or power down, tie OE to GND through a pull-down resistor; the minimum value of the resistor is determined by the current-sourcing capability of the driver.

7.2 Functional Block Diagram



7.3 Feature Description

- TTL inputs
 - Lowered switching threshold allows up translation from 3.3 V to 5 V
- Slow edges reduce output ringing

7.4 Device Functional Modes

Table 7-1. Function Table
(Each Buffer)

| INPUTS | | OUTPUT Y |
|--------|---|-------------|
| OE | A | |
| H | H | H |
| H | L | L |
| L | X | Z |

8 Application and Implementation

Note

Information in the following applications sections is not part of the TI component specification, and TI does not warrant its accuracy or completeness. TI's customers are responsible for determining suitability of components for their purposes, as well as validating and testing their design implementation to confirm system functionality.

8.1 Application Information

The SNx4AHCT126 is a low-drive CMOS device that can be used for a multitude of bus interface type applications where output ringing is a concern. The low drive and slow edge rates will minimize overshoot and undershoot on the outputs. The input switching levels have been lowered to accommodate TTL inputs of 0.8-V V_{IL} and 2-V V_{IH} . This feature makes it ideal for translating up from 3.3 V to 5 V. Figure 8-2 shows this type of translation.

8.2 Typical Application

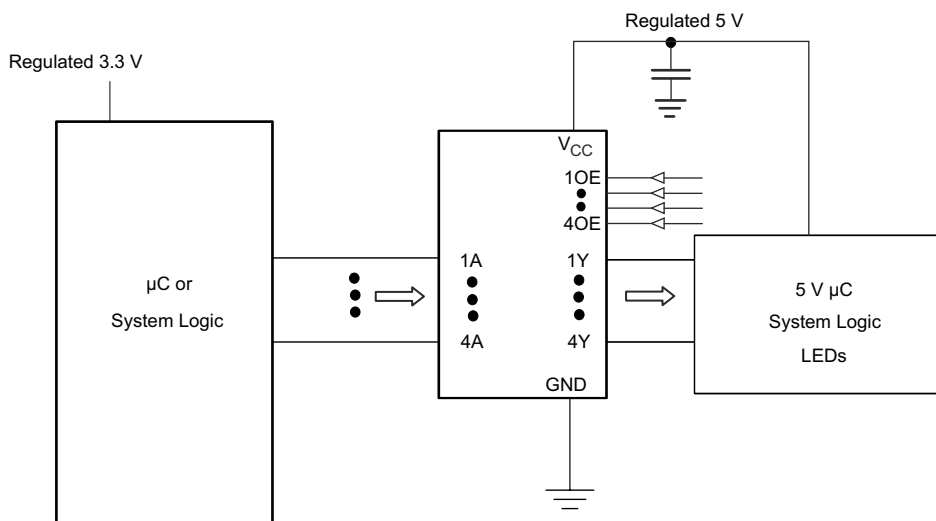


Figure 8-1. Typical Application Schematic

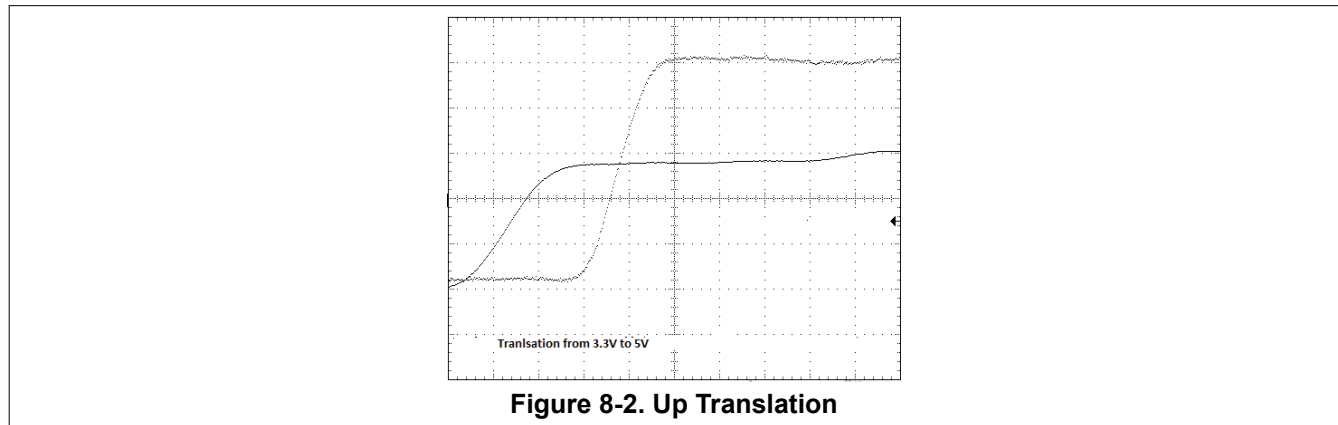
8.2.1 Design Requirements

This device uses CMOS technology and has balanced output drive. Care should be taken to avoid bus contention because it can drive currents that would exceed maximum limits. The high drive will also create fast edges into light loads; therefore, routing and load conditions should be considered to prevent ringing.

8.2.2 Detailed Design Procedure

1. Recommended input conditions:
 - Rise time and fall time specs: See $(\Delta t/\Delta V)$ in the [Recommended Operating Conditions](#) table.
 - Specified High and low levels: See $(V_{IH}$ and $V_{IL})$ in the [Recommended Operating Conditions](#) table.
 - Inputs are overvoltage tolerant allowing them to go as high as 5.5 V at any valid V_{CC}
2. Recommended output conditions:
 - Load currents should not exceed 25 mA per output and 50 mA total for the part
 - Outputs should not be pulled above V_{CC}

8.2.3 Application Curves



8.3 Power Supply Recommendations

The power supply can be any voltage between the MIN and MAX supply voltage rating located in the [Recommended Operating Conditions](#) table.

Each V_{CC} pin should have a good bypass capacitor to prevent power disturbance. For devices with a single supply, 0.1 μF is recommended. If there are multiple V_{CC} pins, 0.01 μF or 0.022 μF is recommended for each power pin. It is acceptable to parallel multiple bypass caps to reject different frequencies of noise. A 0.1 μF and 1 μF are commonly used in parallel. The bypass capacitor should be installed as close to the power pin as possible for best results.

8.4 Layout

8.4.1 Layout Guidelines

When using multiple bit logic devices inputs should not ever float.

In many cases, functions or parts of functions of digital logic devices are unused, for example, when only two inputs of a triple-input AND gate are used or only 3 of the 4 buffer gates are used. Such input pins should not be left unconnected because the undefined voltages at the outside connections result in undefined operational states. [Figure 8-3](#) shows the rules that must be observed under all circumstances. All unused inputs of digital logic devices must be connected to a high or low bias to prevent them from floating. The logic level that should be applied to any particular unused input depends on the function of the device. Generally they will be tied to GND or V_{CC} ; whichever makes more sense or is more convenient. It is generally acceptable to float outputs unless the part is a transceiver. If the transceiver has an output enable pin, it will disable the outputs section of the part when asserted. This will not disable the input section of the IO's so they cannot float when disabled.

8.4.2 Layout Example

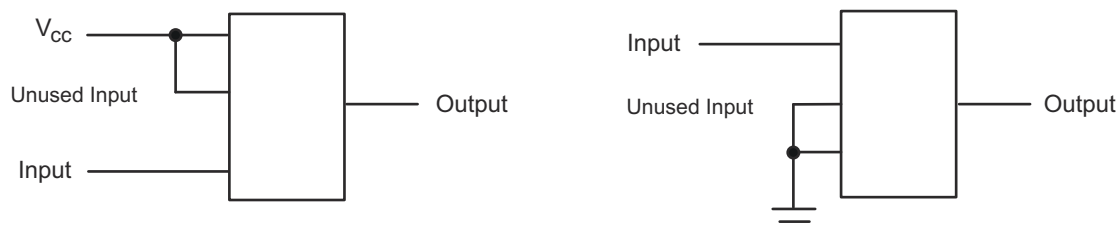


Figure 8-3. Layout Diagram

9 Device and Documentation Support

9.1 Receiving Notification of Documentation Updates

To receive notification of documentation updates, navigate to the device product folder on ti.com. Click on *Subscribe to updates* to register and receive a weekly digest of any product information that has changed. For change details, review the revision history included in any revised document.

9.2 Support Resources

[TI E2E™ support forums](#) are an engineer's go-to source for fast, verified answers and design help — straight from the experts. Search existing answers or ask your own question to get the quick design help you need.

Linked content is provided "AS IS" by the respective contributors. They do not constitute TI specifications and do not necessarily reflect TI's views; see TI's [Terms of Use](#).

9.3 Trademarks

TI E2E™ is a trademark of Texas Instruments.
All trademarks are the property of their respective owners.

9.4 Electrostatic Discharge Caution



This integrated circuit can be damaged by ESD. Texas Instruments recommends that all integrated circuits be handled with appropriate precautions. Failure to observe proper handling and installation procedures can cause damage.

ESD damage can range from subtle performance degradation to complete device failure. Precision integrated circuits may be more susceptible to damage because very small parametric changes could cause the device not to meet its published specifications.

9.5 Glossary

[TI Glossary](#) This glossary lists and explains terms, acronyms, and definitions.

10 Revision History

NOTE: Page numbers for previous revisions may differ from page numbers in the current version.

| Changes from Revision R (October 2023) to Revision S (February 2024) | Page |
|---|-------------|
| • Updated thermal values for NS package from RθJA = 90.7 to 120.9, RθJC(top) = 48.3 to 78.2, RθJB = 49.4 to 81.6, ΨJT = 14.6 to 42.8, ΨJB = 49.1 to 81.1, RθJC(bot) = N/A, all values in °C/W | 6 |

| Changes from Revision Q (May 2023) to Revision R (October 2023) | Page |
|---|-------------|
| • Updated RθJA values: D = 90.6 to 124.5, PW = 122.6 to 147.7; Updated D and PW packages for RθJC(top), RθJB, ΨJT, ΨJB, and RθJC(bot), all values in °C/W | 6 |

11 Mechanical, Packaging, and Orderable Information

The following pages include mechanical, packaging, and orderable information. This information is the most current data available for the designated devices. This data is subject to change without notice and revision of this document. For browser-based versions of this data sheet, refer to the left-hand navigation.

PACKAGING INFORMATION

| Orderable Device | Status (1) | Package Type | Package Drawing | Pins | Package Qty | Eco Plan (2) | Lead finish/ Ball material (6) | MSL Peak Temp (3) | Op Temp (°C) | Device Marking (4/5) | Samples |
|------------------|---------------|--------------|-----------------|------|-------------|---------------------|--------------------------------------|----------------------|--------------|--------------------------------------|-------------------------|
| 5962-9686301QDA | ACTIVE | CFP | W | 14 | 25 | Non-RoHS & Green | SNPB | N / A for Pkg Type | -55 to 125 | 5962-9686301QD A SNJ54AHCT126W | Samples |
| SN74AHCT126BQAR | ACTIVE | WQFN | BQA | 14 | 3000 | RoHS & Green | NIPDAU | Level-1-260C-UNLIM | -40 to 125 | AHT126 | Samples |
| SN74AHCT126DBR | ACTIVE | SSOP | DB | 14 | 2000 | RoHS & Green | NIPDAU | Level-1-260C-UNLIM | -40 to 125 | HB126 | Samples |
| SN74AHCT126DGVR | ACTIVE | TVSOP | DGV | 14 | 2000 | RoHS & Green | NIPDAU | Level-1-260C-UNLIM | -40 to 125 | HB126 | Samples |
| SN74AHCT126DR | ACTIVE | SOIC | D | 14 | 2500 | RoHS & Green | NIPDAU | Level-1-260C-UNLIM | -40 to 125 | AHCT126 | Samples |
| SN74AHCT126N | ACTIVE | PDIP | N | 14 | 25 | RoHS & Green | NIPDAU | N / A for Pkg Type | -40 to 125 | SN74AHCT126N | Samples |
| SN74AHCT126NSR | ACTIVE | SO | NS | 14 | 2000 | RoHS & Green | NIPDAU | Level-1-260C-UNLIM | -40 to 125 | AHCT126 | Samples |
| SN74AHCT126PWR | ACTIVE | TSSOP | PW | 14 | 2000 | RoHS & Green | NIPDAU | Level-1-260C-UNLIM | -40 to 125 | HB126 | Samples |
| SNJ54AHCT126W | ACTIVE | CFP | W | 14 | 25 | Non-RoHS & Green | SNPB | N / A for Pkg Type | -55 to 125 | 5962-9686301QD A SNJ54AHCT126W | Samples |

(1) The marketing status values are defined as follows:

ACTIVE: Product device recommended for new designs.

LIFEBUY: TI has announced that the device will be discontinued, and a lifetime-buy period is in effect.

NRND: Not recommended for new designs. Device is in production to support existing customers, but TI does not recommend using this part in a new design.

PREVIEW: Device has been announced but is not in production. Samples may or may not be available.

OBSELETE: TI has discontinued the production of the device.

(2) **RoHS:** TI defines "RoHS" to mean semiconductor products that are compliant with the current EU RoHS requirements for all 10 RoHS substances, including the requirement that RoHS substance do not exceed 0.1% by weight in homogeneous materials. Where designed to be soldered at high temperatures, "RoHS" products are suitable for use in specified lead-free processes. TI may reference these types of products as "Pb-Free".

RoHS Exempt: TI defines "RoHS Exempt" to mean products that contain lead but are compliant with EU RoHS pursuant to a specific EU RoHS exemption.

Green: TI defines "Green" to mean the content of Chlorine (Cl) and Bromine (Br) based flame retardants meet JS709B low halogen requirements of <=1000ppm threshold. Antimony trioxide based flame retardants must also meet the <=1000ppm threshold requirement.

(3) MSL, Peak Temp. - The Moisture Sensitivity Level rating according to the JEDEC industry standard classifications, and peak solder temperature.

(4) There may be additional marking, which relates to the logo, the lot trace code information, or the environmental category on the device.

(5) Multiple Device Markings will be inside parentheses. Only one Device Marking contained in parentheses and separated by a "~" will appear on a device. If a line is indented then it is a continuation of the previous line and the two combined represent the entire Device Marking for that device.

(6) Lead finish/Ball material - Orderable Devices may have multiple material finish options. Finish options are separated by a vertical ruled line. Lead finish/Ball material values may wrap to two lines if the finish value exceeds the maximum column width.

Important Information and Disclaimer:The information provided on this page represents TI's knowledge and belief as of the date that it is provided. TI bases its knowledge and belief on information provided by third parties, and makes no representation or warranty as to the accuracy of such information. Efforts are underway to better integrate information from third parties. TI has taken and continues to take reasonable steps to provide representative and accurate information but may not have conducted destructive testing or chemical analysis on incoming materials and chemicals. TI and TI suppliers consider certain information to be proprietary, and thus CAS numbers and other limited information may not be available for release.

In no event shall TI's liability arising out of such information exceed the total purchase price of the TI part(s) at issue in this document sold by TI to Customer on an annual basis.

OTHER QUALIFIED VERSIONS OF SN54AHCT126, SN74AHCT126 :

- Catalog : [SN74AHCT126](#)
- Automotive : [SN74AHCT126-Q1](#), [SN74AHCT126-Q1](#)
- Enhanced Product : [SN74AHCT126-EP](#), [SN74AHCT126-EP](#)
- Military : [SN54AHCT126](#)

NOTE: Qualified Version Definitions:

- Catalog - TI's standard catalog product
- Automotive - Q100 devices qualified for high-reliability automotive applications targeting zero defects
- Enhanced Product - Supports Defense, Aerospace and Medical Applications
- Military - QML certified for Military and Defense Applications

TAPE AND REEL INFORMATION

QUADRANT ASSIGNMENTS FOR PIN 1 ORIENTATION IN TAPE


*All dimensions are nominal

| Device | Package Type | Package Drawing | Pins | SPQ | Reel Diameter (mm) | Reel Width W1 (mm) | A0 (mm) | B0 (mm) | K0 (mm) | P1 (mm) | W (mm) | Pin1 Quadrant |
|-----------------|--------------|-----------------|------|------|--------------------|--------------------|---------|---------|---------|---------|--------|---------------|
| SN74AHCT126BQAR | WQFN | BQA | 14 | 3000 | 180.0 | 12.4 | 2.8 | 3.3 | 1.1 | 4.0 | 12.0 | Q1 |
| SN74AHCT126DBR | SSOP | DB | 14 | 2000 | 330.0 | 16.4 | 8.35 | 6.6 | 2.4 | 12.0 | 16.0 | Q1 |
| SN74AHCT126DGVR | TVSOP | DGV | 14 | 2000 | 330.0 | 12.4 | 6.8 | 4.0 | 1.6 | 8.0 | 12.0 | Q1 |
| SN74AHCT126DR | SOIC | D | 14 | 2500 | 330.0 | 16.4 | 6.5 | 9.0 | 2.1 | 8.0 | 16.0 | Q1 |
| SN74AHCT126NSR | SO | NS | 14 | 2000 | 330.0 | 16.4 | 8.2 | 10.5 | 2.5 | 12.0 | 16.0 | Q1 |
| SN74AHCT126PWR | TSSOP | PW | 14 | 2000 | 330.0 | 12.4 | 6.9 | 5.6 | 1.6 | 8.0 | 12.0 | Q1 |
| SN74AHCT126PWR | TSSOP | PW | 14 | 2000 | 330.0 | 12.4 | 6.9 | 5.6 | 1.6 | 8.0 | 12.0 | Q1 |

TAPE AND REEL BOX DIMENSIONS


*All dimensions are nominal

| Device | Package Type | Package Drawing | Pins | SPQ | Length (mm) | Width (mm) | Height (mm) |
|-----------------|--------------|-----------------|------|------|-------------|------------|-------------|
| SN74AHCT126BQAR | WQFN | BQA | 14 | 3000 | 210.0 | 185.0 | 35.0 |
| SN74AHCT126DBR | SSOP | DB | 14 | 2000 | 356.0 | 356.0 | 35.0 |
| SN74AHCT126DGVR | TVSOP | DGV | 14 | 2000 | 356.0 | 356.0 | 35.0 |
| SN74AHCT126DR | SOIC | D | 14 | 2500 | 356.0 | 356.0 | 35.0 |
| SN74AHCT126NSR | SO | NS | 14 | 2000 | 367.0 | 367.0 | 38.0 |
| SN74AHCT126PWR | TSSOP | PW | 14 | 2000 | 353.0 | 353.0 | 32.0 |
| SN74AHCT126PWR | TSSOP | PW | 14 | 2000 | 356.0 | 356.0 | 35.0 |

TUBE


*All dimensions are nominal

| Device | Package Name | Package Type | Pins | SPQ | L (mm) | W (mm) | T (μm) | B (mm) |
|-----------------|--------------|--------------|------|-----|--------|--------|--------|--------|
| 5962-9686301QDA | W | CFP | 14 | 25 | 506.98 | 26.16 | 6220 | NA |
| SN74AHCT126N | N | PDIP | 14 | 25 | 506 | 13.97 | 11230 | 4.32 |
| SN74AHCT126N | N | PDIP | 14 | 25 | 506 | 13.97 | 11230 | 4.32 |
| SNJ54AHCT126W | W | CFP | 14 | 25 | 506.98 | 26.16 | 6220 | NA |

GENERIC PACKAGE VIEW

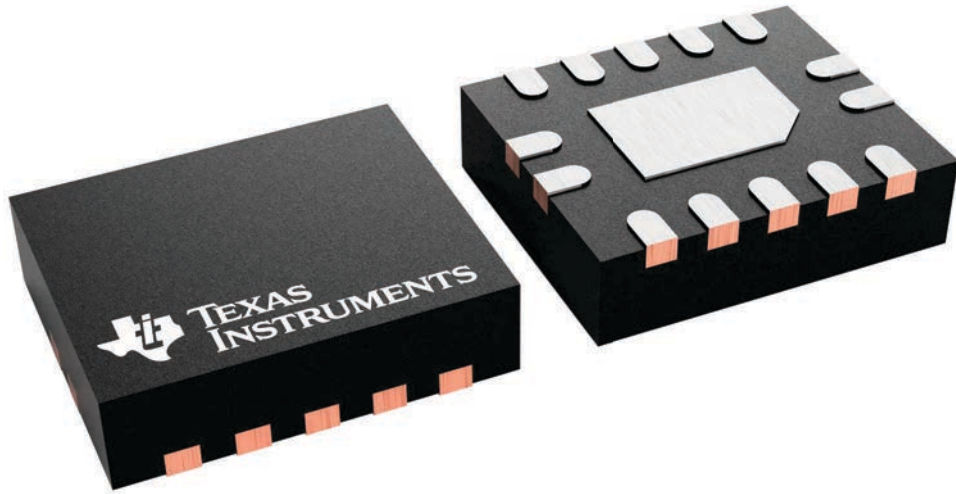
BQA 14

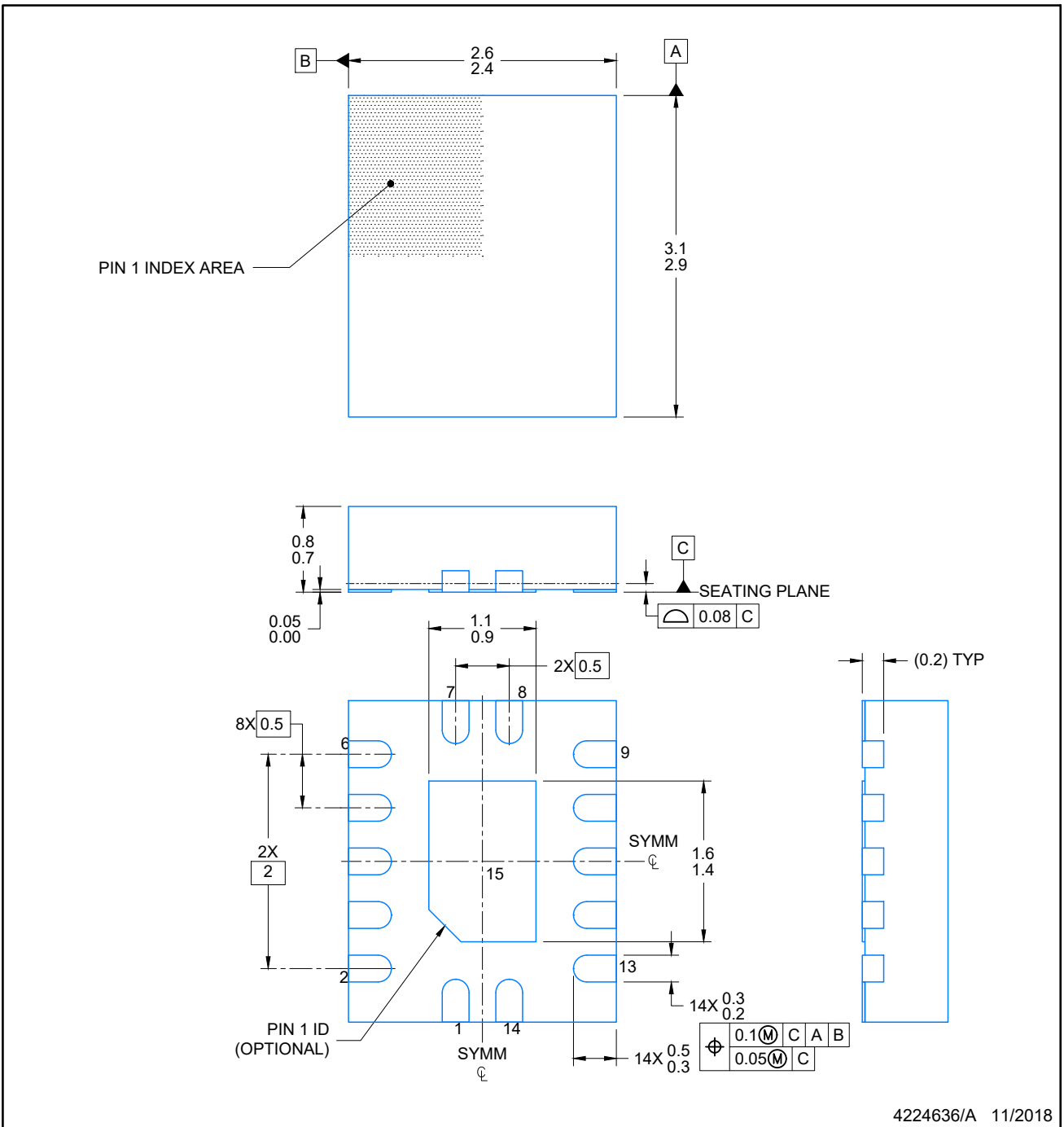
WQFN - 0.8 mm max height

2.5 x 3, 0.5 mm pitch

PLASTIC QUAD FLATPACK - NO LEAD

This image is a representation of the package family, actual package may vary.
Refer to the product data sheet for package details.





NOTES:

1. All linear dimensions are in millimeters. Any dimensions in parenthesis are for reference only. Dimensioning and tolerancing per ASME Y14.5M.
2. This drawing is subject to change without notice.
3. The package thermal pad must be soldered to the printed circuit board for optimal thermal and mechanical performance.

EXAMPLE BOARD LAYOUT

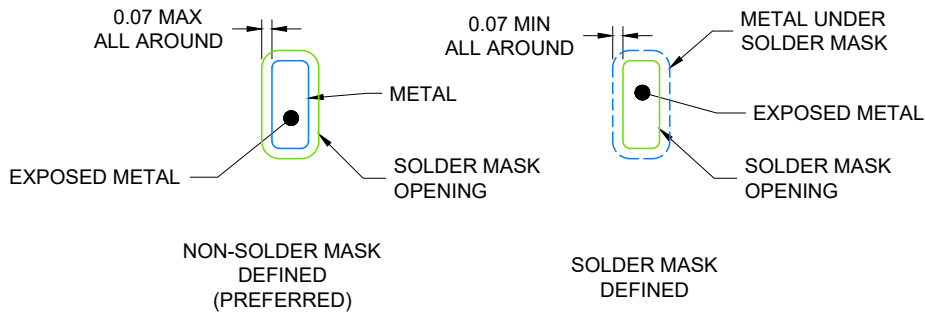
WQFN - 0.8 mm max height

BQA0014A

PLASTIC QUAD FLAT PACK-NO LEAD



LAND PATTERN EXAMPLE
EXPOSED METAL SHOWN
SCALE: 20X



4224636/A 11/2018

NOTES: (continued)

4. This package is designed to be soldered to a thermal pad on the board. For more information, see Texas Instruments literature number SLUA271 (www.ti.com/lit/slua271).
5. Vias are optional depending on application, refer to device data sheet. If any vias are implemented, refer to their locations shown on this view. It is recommended that vias under paste be filled, plugged or tented.

EXAMPLE STENCIL DESIGN

BQA0014A

WQFN - 0.8 mm max height

PLASTIC QUAD FLAT PACK-NO LEAD



SOLDER PASTE EXAMPLE
 BASED ON 0.125 mm THICK STENCIL

EXPOSED PAD
 88% PRINTED COVERAGE BY AREA
 SCALE: 20X

4224636/A 11/2018

NOTES: (continued)

- 6. Laser cutting apertures with trapezoidal walls and rounded corners may offer better paste release. IPC-7525 may have alternate design recommendations.

MECHANICAL DATA

NS (R-PDSO-G**)

PLASTIC SMALL-OUTLINE PACKAGE

14-PINS SHOWN



- NOTES:
- A. All linear dimensions are in millimeters.
 - B. This drawing is subject to change without notice.
 - C. Body dimensions do not include mold flash or protrusion, not to exceed 0,15.

W (R-GDFP-F14)

CERAMIC DUAL FLATPACK



- NOTES:
- A. All linear dimensions are in inches (millimeters).
 - B. This drawing is subject to change without notice.
 - C. This package can be hermetically sealed with a ceramic lid using glass frit.
 - D. Index point is provided on cap for terminal identification only.
 - E. Falls within MIL STD 1835 GDFP1-F14

DB0014A



PACKAGE OUTLINE

SSOP - 2 mm max height

SMALL OUTLINE PACKAGE



NOTES:

1. All linear dimensions are in millimeters. Any dimensions in parenthesis are for reference only. Dimensioning and tolerancing per ASME Y14.5M.
2. This drawing is subject to change without notice.
3. This dimension does not include mold flash, protrusions, or gate burrs. Mold flash, protrusions, or gate burrs shall not exceed 0.15 mm per side.
4. Reference JEDEC registration MO-150.

EXAMPLE BOARD LAYOUT

DB0014A

SSOP - 2 mm max height

SMALL OUTLINE PACKAGE



LAND PATTERN EXAMPLE
EXPOSED METAL SHOWN
SCALE: 10X



4220762/A 05/2024

NOTES: (continued)

5. Publication IPC-7351 may have alternate designs.
6. Solder mask tolerances between and around signal pads can vary based on board fabrication site.

EXAMPLE STENCIL DESIGN

DB0014A

SSOP - 2 mm max height

SMALL OUTLINE PACKAGE



SOLDER PASTE EXAMPLE
BASED ON 0.125 mm THICK STENCIL
SCALE: 10X

4220762/A 05/2024

NOTES: (continued)

7. Laser cutting apertures with trapezoidal walls and rounded corners may offer better paste release. IPC-7525 may have alternate design recommendations.
8. Board assembly site may have different recommendations for stencil design.

D (R-PDSO-G14)

PLASTIC SMALL OUTLINE



4040047-5/M 06/11

- NOTES:
- A. All linear dimensions are in inches (millimeters).
 - B. This drawing is subject to change without notice.
 - Body length does not include mold flash, protrusions, or gate burrs. Mold flash, protrusions, or gate burrs shall not exceed 0.006 (0,15) each side.
 - Body width does not include interlead flash. Interlead flash shall not exceed 0.017 (0,43) each side.
 - E. Reference JEDEC MS-012 variation AB.

D (R-PDSO-G14)

PLASTIC SMALL OUTLINE

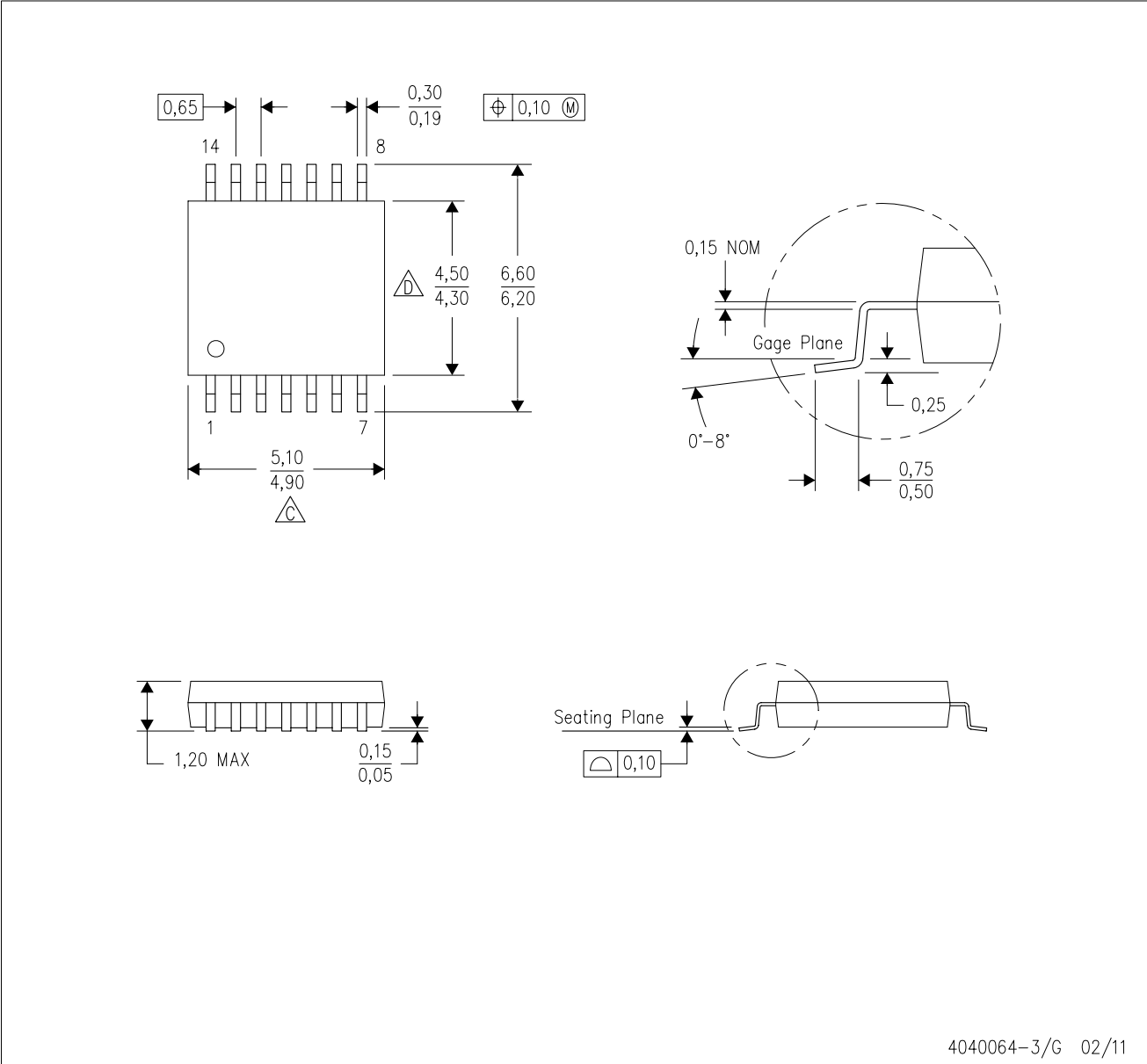


- NOTES:
- All linear dimensions are in millimeters.
 - This drawing is subject to change without notice.
 - Publication IPC-7351 is recommended for alternate designs.
 - Laser cutting apertures with trapezoidal walls and also rounding corners will offer better paste release. Customers should contact their board assembly site for stencil design recommendations. Refer to IPC-7525 for other stencil recommendations.
 - Customers should contact their board fabrication site for solder mask tolerances between and around signal pads.

MECHANICAL DATA

PW (R-PDSO-G14)

PLASTIC SMALL OUTLINE



4040064-3/G 02/11

- NOTES:
- A. All linear dimensions are in millimeters. Dimensioning and tolerancing per ASME Y14.5M-1994.
 - B. This drawing is subject to change without notice.
 - C. Body length does not include mold flash, protrusions, or gate burrs. Mold flash, protrusions, or gate burrs shall not exceed 0,15 each side.
 - D. Body width does not include interlead flash. Interlead flash shall not exceed 0,25 each side.
 - E. Falls within JEDEC MO-153

N (R-PDIP-T**)

PLASTIC DUAL-IN-LINE PACKAGE

16 PINS SHOWN



- NOTES:
- A. All linear dimensions are in inches (millimeters).
 - B. This drawing is subject to change without notice.
 - Falls within JEDEC MS-001, except 18 and 20 pin minimum body length (Dim A).
 - The 20 pin end lead shoulder width is a vendor option, either half or full width.

IMPORTANT NOTICE AND DISCLAIMER

TI PROVIDES TECHNICAL AND RELIABILITY DATA (INCLUDING DATA SHEETS), DESIGN RESOURCES (INCLUDING REFERENCE DESIGNS), APPLICATION OR OTHER DESIGN ADVICE, WEB TOOLS, SAFETY INFORMATION, AND OTHER RESOURCES "AS IS" AND WITH ALL FAULTS, AND DISCLAIMS ALL WARRANTIES, EXPRESS AND IMPLIED, INCLUDING WITHOUT LIMITATION ANY IMPLIED WARRANTIES OF MERCHANTABILITY, FITNESS FOR A PARTICULAR PURPOSE OR NON-INFRINGEMENT OF THIRD PARTY INTELLECTUAL PROPERTY RIGHTS.

These resources are intended for skilled developers designing with TI products. You are solely responsible for (1) selecting the appropriate TI products for your application, (2) designing, validating and testing your application, and (3) ensuring your application meets applicable standards, and any other safety, security, regulatory or other requirements.

These resources are subject to change without notice. TI grants you permission to use these resources only for development of an application that uses the TI products described in the resource. Other reproduction and display of these resources is prohibited. No license is granted to any other TI intellectual property right or to any third party intellectual property right. TI disclaims responsibility for, and you will fully indemnify TI and its representatives against, any claims, damages, costs, losses, and liabilities arising out of your use of these resources.

TI's products are provided subject to [TI's Terms of Sale](#) or other applicable terms available either on [ti.com](https://www.ti.com) or provided in conjunction with such TI products. TI's provision of these resources does not expand or otherwise alter TI's applicable warranties or warranty disclaimers for TI products.

TI objects to and rejects any additional or different terms you may have proposed.

Mailing Address: Texas Instruments, Post Office Box 655303, Dallas, Texas 75265
Copyright © 2024, Texas Instruments Incorporated