

SN54ALS652, SN54ALS653, SN54AS651, SN54AS652 SN74ALS651A, SN74ALS652A, SN74ALS653, SN74ALS654, SN74AS651, SN74AS652 OCTAL BUS TRANSCEIVERS AND REGISTERS WITH 3-STATE OUTPUTS

SDAS066G – DECEMBER 1983 – REVISED DECEMBER 2000

- Bus Transceivers/Registers
- Independent Registers and Enables for A and B Buses
- Multiplexed Real-Time and Stored Data
- Choice of True or Inverting Data Paths
- Choice of 3-State or Open-Collector Outputs to A Bus

DEVICE	A OUTPUT	B OUTPUT	LOGIC
SN74ALS651A, 'AS651	3-State	3-State	Inverting
SN54ALS652, SN74ALS652A, 'AS652	3-State	3-State	True
'ALS653	Open Collector	3-State	Inverting
SN74ALS654	Open Collector	3-State	True

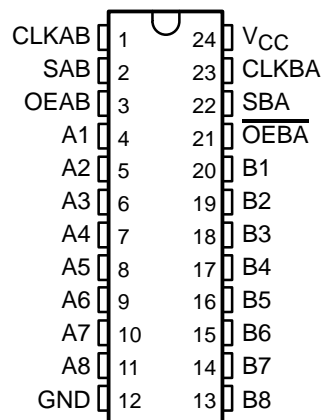
description

These devices consist of bus-transceiver circuits, D-type flip-flops, and control circuitry arranged for multiplexed transmission of data directly from the data bus or from the internal storage registers. Output-enable (OEAB and $\overline{\text{OEBA}}$) inputs are provided to control the transceiver functions. Select-control (SAB and SBA) inputs are provided to select real-time or stored data transfer. The circuitry used for select control eliminates the typical decoding glitch that occurs in a multiplexer during the transition between stored and real-time data. A low input level selects real-time data, and a high input level selects stored data. Figure 1 illustrates the four fundamental bus-management functions that can be performed with the octal bus transceivers and registers

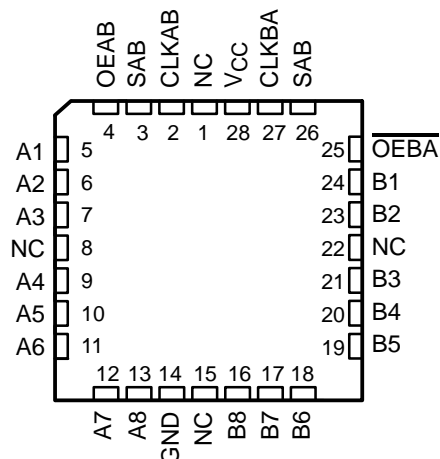
Data on the A or B data bus, or both, can be stored in the internal D-type flip-flops by low-to-high transitions at the appropriate clock (CLKAB or CLKBA) terminals, regardless of the select- or output-control terminals. When SAB and SBA are in the real-time transfer mode, it is possible to store data without using the internal D-type flip-flops by simultaneously enabling OEAB and $\overline{\text{OEBA}}$. In this configuration, each output reinforces its input. When all other data sources to the two sets of bus lines are at high impedance, each set of bus lines remains at its last state.

The -1 versions of the SN74ALS651A and SN74ALS652A are identical to the standard versions except that the recommended maximum I_{OL} for the -1 versions is increased to 48 mA. There are no -1 versions of the SN54ALS652, SN54ALS653, SN74ALS653, and SN74ALS654.

SN54ALS', SN54AS' ... JT PACKAGE
SN74ALS', SN74AS' ... DW OR NT PACKAGE
(TOP VIEW)



SN54ALS', SN54AS' ... FK PACKAGE
(TOP VIEW)



NC – No internal connection



Please be aware that an important notice concerning availability, standard warranty, and use in critical applications of Texas Instruments semiconductor products and disclaimers thereto appears at the end of this data sheet.

PRODUCTION DATA information is current as of publication date. Products conform to specifications per the terms of Texas Instruments standard warranty. Production processing does not necessarily include testing of all parameters.

**TEXAS
INSTRUMENTS**

POST OFFICE BOX 655303 • DALLAS, TEXAS 75265

Copyright © 2000, Texas Instruments Incorporated

**SN54ALS652, SN54ALS653, SN54AS651, SN54AS652
 SN74ALS651A, SN74ALS652A, SN74ALS653, SN74ALS654, SN74AS651, SN74AS652
 OCTAL BUS TRANSCEIVERS AND REGISTERS WITH 3-STATE OUTPUTS**

SDAS066G – DECEMBER 1983 – REVISED DECEMBER 2000

ORDERING INFORMATION

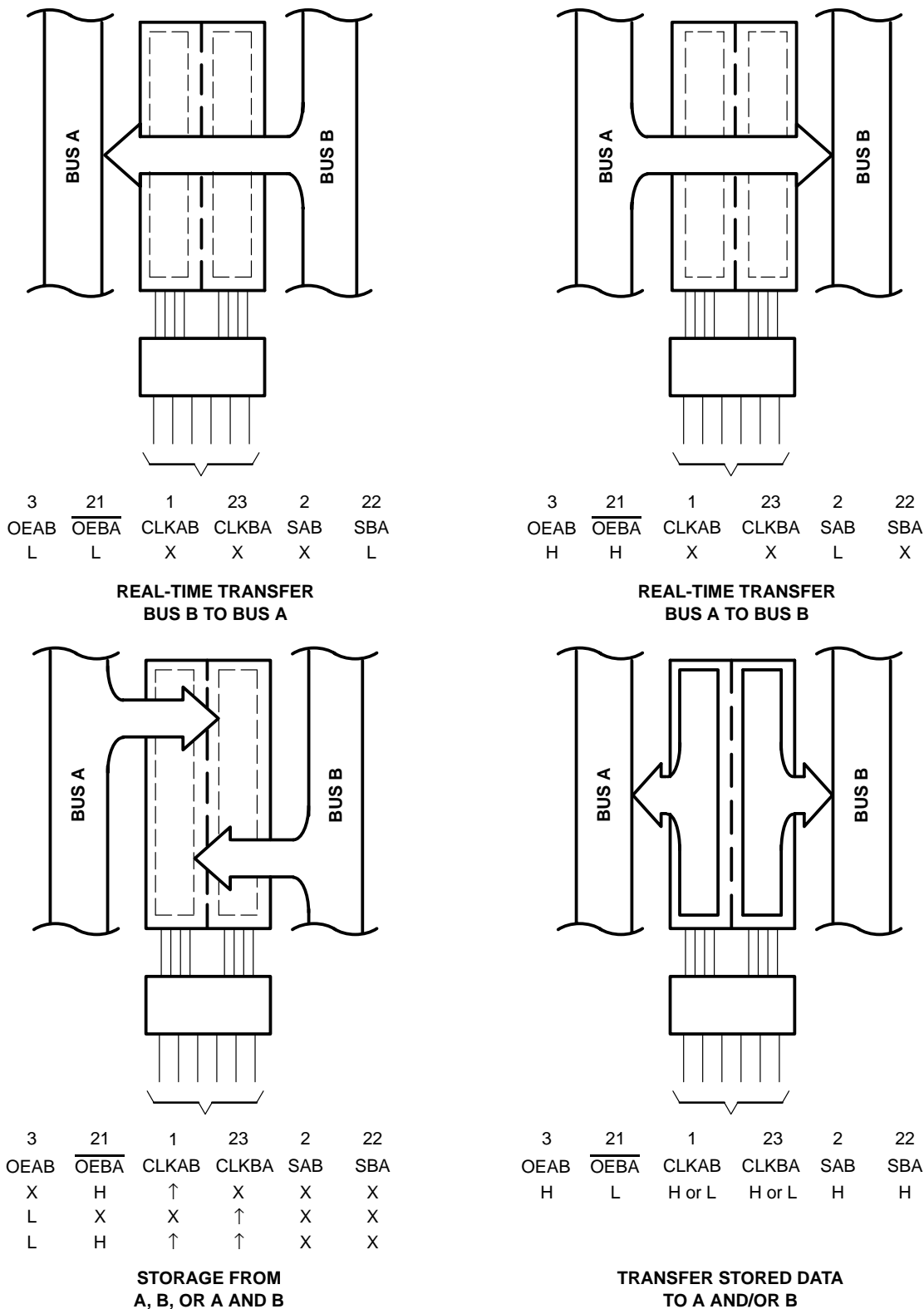
T_A	PACKAGE†		ORDERABLE PART NUMBER	TOP-SIDE MARKING
0°C to 70°C	PDIP – NT	Tube	SN74ALS651ANT	SN74ALS651ANT
			SN74ALS652ANT	SN74ALS652ANT
			SN74ALS653NT	SN74ALS653NT
			SN74ALS654NT	SN74ALS654NT
			SN74AS651NT	SN74AS651NT
			SN74AS652NT	SN74AS652NT
	SOIC – DW	Tube	SN74ALS651ADW	ALS651A
			SN74ALS651ADWR	
		Tape and reel	SN74ALS652ADW	ALS652A
			SN74ALS652ADWR	
		Tube	SN74ALS653DW	ALS653
			SN74ALS653DWR	
		Tape and reel	SN74ALS654DW	ALS654
			SN74ALS654DWR	
		AS651	Tube	SN74AS651DW
				SN74AS651DWR
			Tape and reel	SN74AS652DW
				SN74AS652DWR
–55°C to 125°C	CDIP – JT	Tube	SNJ54ALS652JT	SNJ54ALS652JT
			SNJ54ALS653JT	SNJ54ALS653JT
			SNJ54AS651JT	SNJ54AS651JT
			SNJ54AS652JT	SNJ54AS652JT
	LCCC – FK	Tube	SNJ54ALS652FK	SNJ54ALS652FK
			SNJ54ALS653FK	SNJ54ALS653FK
			SNJ54AS651FK	SNJ54AS651FK
			SNJ54AS652FK	SNJ54AS652FK

† Package drawings, standard packing quantities, thermal data, symbolization, and PCB design guidelines are available at www.ti.com/sc/package.



**SN54ALS652, SN54ALS653, SN54AS651, SN54AS652
SN74ALS651A, SN74ALS652A, SN74ALS653, SN74ALS654, SN74AS651, SN74AS652
OCTAL BUS TRANSCEIVERS AND REGISTERS WITH 3-STATE OUTPUTS**

SDAS066G – DECEMBER 1983 – REVISED DECEMBER 2000



Pin numbers shown are for the DW, JT, and NT packages.

Figure 1. Bus-Management Functions

**SN54ALS652, SN54ALS653, SN54AS651, SN54AS652
SN74ALS651A, SN74ALS652A, SN74ALS653, SN74ALS654, SN74AS651, SN74AS652
OCTAL BUS TRANSCEIVERS AND REGISTERS WITH 3-STATE OUTPUTS**

SDAS066G – DECEMBER 1983 – REVISED DECEMBER 2000

Function Tables

**SN54ALS653, SN54AS651,
SN74ALS651A, SN74ALS653, SN74AS651**

INPUTS						DATA I/O†		OPERATION OR FUNCTION
OEAB	OEBA	CLKAB	CLKBA	SAB	SBA	A1–A8	B1–B8	
L	H	H or L	H or L	X	X	Input	Input	Isolation
L	H	↑	↑	X	X	Input	Input	Store A and B data
X	H	↑	H or L	X	X	Input	Unspecified‡	Store A, hold B
H	H	↑	↑	X‡	X	Input	Output	Store A in both registers
L	X	H or L	↑	X	X	Unspecified‡	Input	Hold A, store B
L	L	↑	↑	X	X‡	Output	Input	Store B in both registers
L	L	X	X	X	L	Output	Input	Real-time \overline{B} data to A bus
L	L	X	H or L	X	H	Output	Input	Stored \overline{B} data to A bus
H	H	X	X	L	X	Input	Output	Real-time \overline{A} data to B bus
H	H	H or L	X	H	X	Input	Output	Stored \overline{A} data to B bus
H	L	H or L	H or L	H	H	Output	Output	Stored \overline{A} data to B bus and stored \overline{B} data to A bus

† The data output functions can be enabled or disabled by a variety of level combinations at OEAB or OEBA. Data input functions always are enabled; i.e., data at the bus terminals is stored on every low-to-high transition on the clock inputs.

‡ Select control = L: clocks can occur simultaneously.

Select control = H: clocks must be staggered to load both registers.

**SN54ALS652, SN54AS652,
SN74ALS652A, SN74ALS654, SN74AS652**

INPUTS						DATA I/O†		OPERATION OR FUNCTION
OEAB	OEBA	CLKAB	CLKBA	SAB	SBA	A1–A8	B1–B8	
L	H	H or L	H or L	X	X	Input	Input	Isolation
L	H	↑	↑	X	X	Input	Input	Store A and B data
X	H	↑	H or L	X	X	Input	Unspecified‡	Store A, hold B
H	H	↑	↑	X‡	X	Input	Output	Store A in both registers
L	X	H or L	↑	X	X	Unspecified‡	Input	Hold A, store B
L	L	↑	↑	X	X‡	Output	Input	Store B in both registers
L	L	X	X	X	L	Output	Input	Real-time B data to A bus
L	L	X	H or L	X	H	Output	Input	Stored B data to A bus
H	H	X	X	L	X	Input	Output	Real-time A data to B bus
H	H	H or L	X	H	X	Input	Output	Stored A data to B bus
H	L	H or L	H or L	H	H	Output	Output	Stored A data to B bus and stored B data to A bus

† The data output functions can be enabled or disabled by a variety of level combinations at OEAB or OEBA. Data input functions always are enabled; i.e., data at the bus terminals is stored on every low-to-high transition on the clock inputs.

‡ Select control = L: clocks can occur simultaneously.

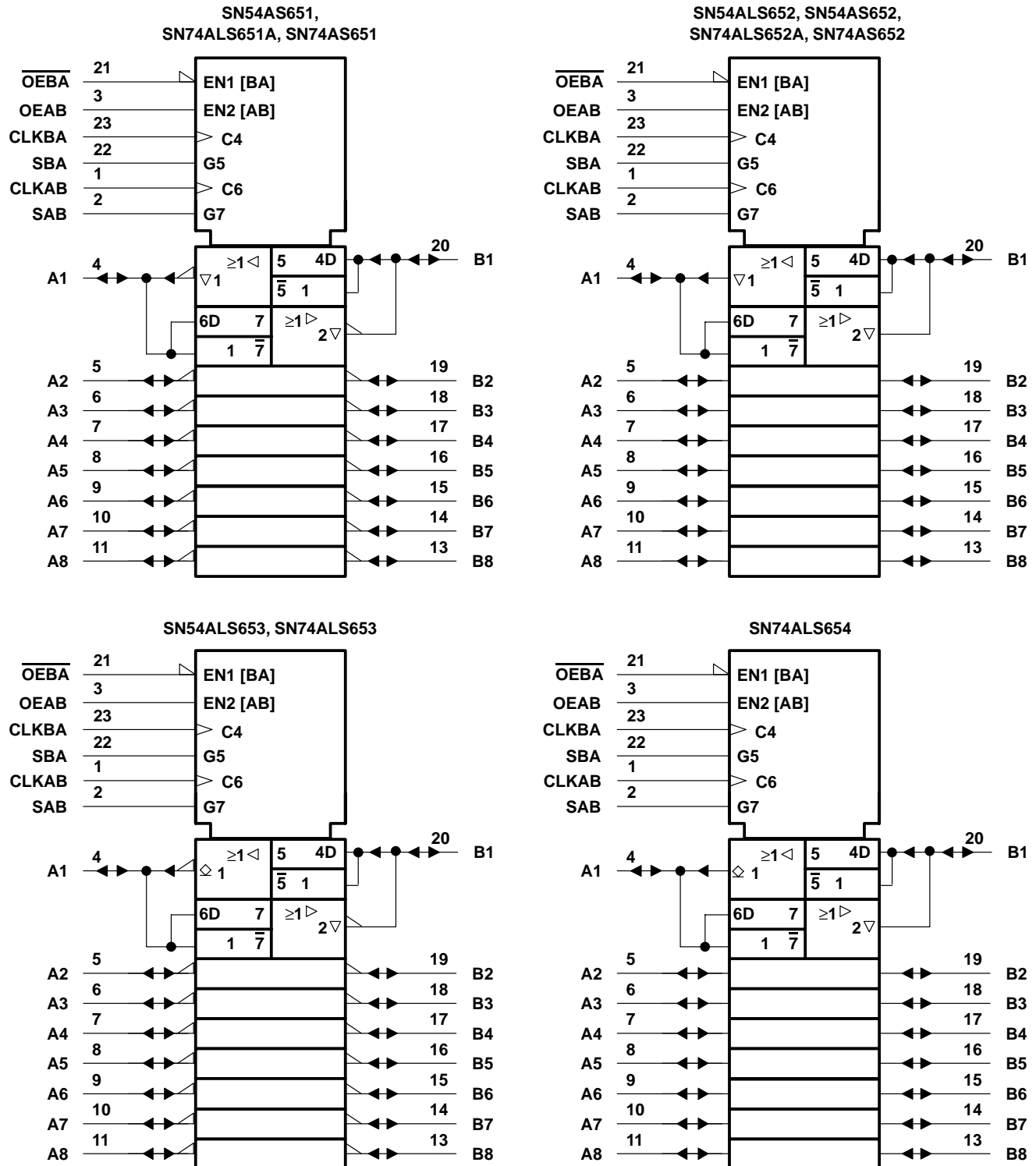
Select control = H: clocks must be staggered to load both registers.



SN54ALS652, SN54ALS653, SN54AS651, SN54AS652 SN74ALS651A, SN74ALS652A, SN74ALS653, SN74ALS654, SN74AS651, SN74AS652 OCTAL BUS TRANSCEIVERS AND REGISTERS WITH 3-STATE OUTPUTS

SDAS066G – DECEMBER 1983 – REVISED DECEMBER 2000

logic symbols†

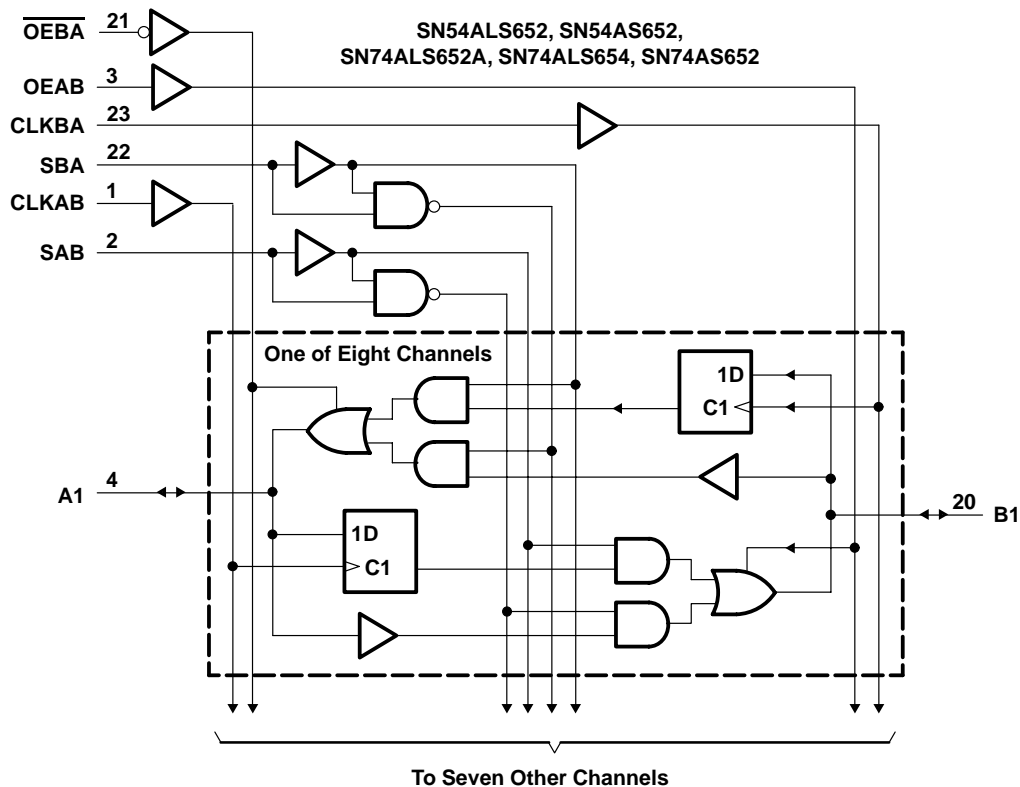
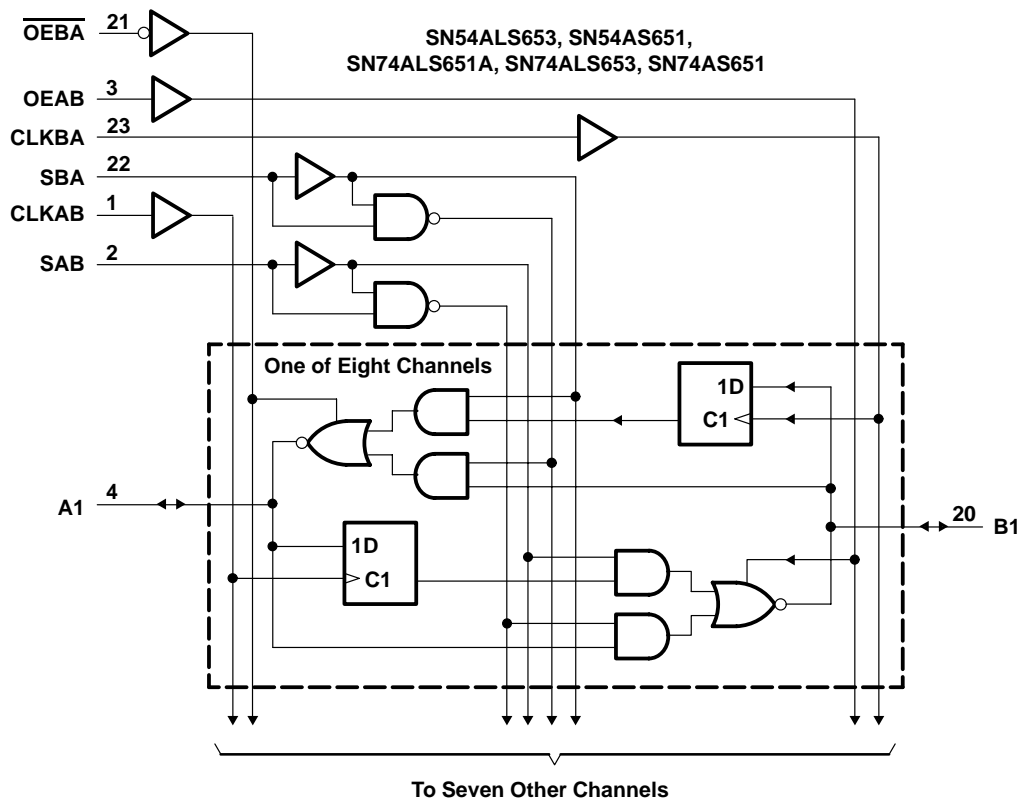


† These symbols are in accordance with ANSI/IEEE Std 91-1984 and IEC Publication 617-12. Pin numbers shown are for the DW, JT, and NT packages.

**SN54ALS652, SN54ALS653, SN54AS651, SN54AS652
 SN74ALS651A, SN74ALS652A, SN74ALS653, SN74ALS654, SN74AS651, SN74AS652
 OCTAL BUS TRANSCEIVERS AND REGISTERS WITH 3-STATE OUTPUTS**

SDAS066G – DECEMBER 1983 – REVISED DECEMBER 2000

logic diagrams (positive logic)



Pin numbers shown are for the DW, JT, and NT packages.



POST OFFICE BOX 655303 • DALLAS, TEXAS 75265

**SN54ALS652, SN54ALS653, SN54AS651, SN54AS652
SN74ALS651A, SN74ALS652A, SN74ALS653, SN74ALS654, SN74AS651, SN74AS652
OCTAL BUS TRANSCEIVERS AND REGISTERS WITH 3-STATE OUTPUTS**

SDAS066G – DECEMBER 1983 – REVISED DECEMBER 2000

absolute maximum ratings over operating free-air temperature range (unless otherwise noted)†

Supply voltage range, V_{CC}	–0.5 V to 7 V
Input voltage range, V_I : Control inputs	–0.5 V to 7 V
I/O ports	–0.5 V to 5.5 V
Package thermal impedance, θ_{JA} (see Note 1): DW package	46°C/W
NT package	67°C/W
Storage temperature range, T_{stg}	–65°C to 150°C

† Stresses beyond those listed under “absolute maximum ratings” may cause permanent damage to the device. These are stress ratings only, and functional operation of the device at these or any other conditions beyond those indicated under “recommended operating conditions” is not implied. Exposure to absolute-maximum-rated conditions for extended periods may affect device reliability.

NOTE 1: The package thermal impedance is calculated in accordance with JESD 51.

recommended operating conditions

		SN74ALS651A			UNIT	
		MIN	NOM	MAX		
V_{CC}	Supply voltage	4.5	5	5.5	V	
V_{IH}	High-level input voltage	2			V	
V_{IL}	Low-level input voltage			0.8	V	
I_{OH}	High-level output current			–15	mA	
I_{OL}	Low-level output current			24	mA	
				48‡		
f_{clock}	Clock frequency	0		40	MHz	
t_w	Pulse duration	CLKBA or CLKAB high		12.5	ns	
		CLKBA or CLKAB low		12.5		
t_{su}	Setup time before CLKAB↑ or CLKBA↑	A or B		10	ns	
t_h	Hold time after CLKAB↑ or CLKBA↑	A or B		0	ns	
T_A	Operating free-air temperature			0	70	°C

‡ Applies only to the SN74ALS651A-1 and only if V_{CC} is maintained between 4.75 V and 5.25 V

recommended operating conditions

		SN54ALS652			SN74ALS652A			UNIT	
		MIN	NOM	MAX	MIN	NOM	MAX		
V_{CC}	Supply voltage	4.5	5	5.5	4.5	5	5.5	V	
V_{IH}	High-level input voltage	2			2			V	
V_{IL}	Low-level input voltage			0.7			0.8	V	
I_{OH}	High-level output current			–12			–15	mA	
I_{OL}	Low-level output current			12			24	mA	
							48‡		
f_{clock}	Clock frequency	0		35	0		40	MHz	
t_w	Pulse duration	CLKBA or CLKAB high		14.5			12.5	ns	
		CLKBA or CLKAB low		14.5			12.5		
t_{su}	Setup time before CLKAB↑ or CLKBA↑	A or B		15			10	ns	
t_h	Hold time after CLKAB↑ or CLKBA↑	A or B		5			0	ns	
T_A	Operating free-air temperature			–55		125	0	70	°C

‡ Applies only to the SN74ALS652A-1 and only if V_{CC} is maintained between 4.75 V and 5.25 V



**SN54ALS652, SN54ALS653, SN54AS651, SN54AS652
 SN74ALS651A, SN74ALS652A, SN74ALS653, SN74ALS654, SN74AS651, SN74AS652
 OCTAL BUS TRANSCEIVERS AND REGISTERS WITH 3-STATE OUTPUTS**

SDAS066G – DECEMBER 1983 – REVISED DECEMBER 2000

electrical characteristics over recommended operating free-air temperature range (unless otherwise noted)

PARAMETER		TEST CONDITIONS		SN74ALS651A			UNIT	
				MIN	TYP†	MAX		
V _{IK}		V _{CC} = 4.5 V,	I _I = -18 mA			-1.2	V	
V _{OH}		V _{CC} = 4.5 V to 5.5 V, I _{OH} = -0.4 mA		V _{CC} -2			V	
		V _{CC} = 4.5 V		I _{OH} = -3 mA	2.4	3.2		
V _{OL}		V _{CC} = 4.5 V		I _{OL} = 12 mA	0.25	0.4	V	
				I _{OL} = 24 mA	0.35	0.5		
		V _{CC} = 4.75 V, I _{OL} = 48 mA (-1 versions)		0.35	0.5			
I _I	Control inputs	V _{CC} = 5.5 V,	V _I = 7 V			0.1	mA	
	A or B ports	V _{CC} = 5.5 V,	V _I = 5.5 V			0.1		
I _{IH}	Control inputs	V _{CC} = 5.5 V, V _I = 2.7 V				20	μA	
	A or B ports‡					20		
I _{IL}	Control inputs	V _{CC} = 5.5 V, V _I = 0.4 V				-0.2	mA	
	A or B ports‡					-0.2		
I _{OS} §		V _{CC} = 5.5 V,	V _O = 2.25 V	-30		-112	mA	
I _{CC}		V _{CC} = 5.5 V		Outputs high		42	68	mA
				Outputs low		52	82	
				Outputs disabled		52	82	

† All typical values are at V_{CC} = 5 V, T_A = 25°C.

‡ For I/O ports, the parameters I_{IH} and I_{IL} include the off-state output current.

§ The output conditions have been chosen to produce a current that closely approximates one-half of the true short-circuit output current, I_{OS}.



**SN54ALS652, SN54ALS653, SN54AS651, SN54AS652
SN74ALS651A, SN74ALS652A, SN74ALS653, SN74ALS654, SN74AS651, SN74AS652
OCTAL BUS TRANSCEIVERS AND REGISTERS WITH 3-STATE OUTPUTS**

SDAS066G – DECEMBER 1983 – REVISED DECEMBER 2000

electrical characteristics over recommended operating free-air temperature range (unless otherwise noted)

PARAMETER		TEST CONDITIONS	SN54ALS652		SN74ALS652A		UNIT		
			MIN	TYP†	MAX	MIN		TYP†	MAX
V _{IK}		V _{CC} = 4.5 V, I _I = -18 mA	-1.2		-1.2		V		
V _{OH}		V _{CC} = 4.5 V to 5.5 V, I _{OH} = -0.4 mA	V _{CC} -2		V _{CC} -2		V		
		V _{CC} = 4.5 V	I _{OH} = -3 mA	2.4	3.2	2.4		3.2	
			I _{OH} = -12 mA	2					
V _{OL}		V _{CC} = 4.5 V	I _{OL} = 12 mA	0.25	0.4	0.25	0.4	V	
			I _{OL} = 24 mA			0.35	0.5		
		V _{CC} = 4.75 V, I _{OL} = 48 mA (-1 versions)			0.35	0.5			
I _I	Control inputs	V _{CC} = 5.5 V, V _I = 7 V	0.1		0.1		mA		
	A or B ports	V _{CC} = 5.5 V, V _I = 5.5 V	0.1		0.1				
I _{IH}	Control inputs	V _{CC} = 5.5 V, V _I = 2.7 V	20		20		μA		
	A or B ports‡		20		20				
I _{IL}	Control inputs	V _{CC} = 5.5 V, V _I = 0.4 V	-0.2		-0.2		mA		
	A or B ports‡		-0.2		-0.2				
I _O §		V _{CC} = 5.5 V, V _O = 2.25 V	-20	-112	-30	-112	mA		
I _{CC}		V _{CC} = 5.5 V	Outputs high		47	76	47	76	mA
			Outputs low		55	88	55	88	
			Outputs disabled		55	88	55	88	

† All typical values are at V_{CC} = 5 V, T_A = 25°C.

‡ For I/O ports, the parameters I_{IH} and I_{IL} include the off-state output current.

§ The output conditions have been chosen to produce a current that closely approximates one-half of the true short-circuit output current, I_{OS}.

**SN54ALS652, SN54ALS653, SN54AS651, SN54AS652
 SN74ALS651A, SN74ALS652A, SN74ALS653, SN74ALS654, SN74AS651, SN74AS652
 OCTAL BUS TRANSCEIVERS AND REGISTERS WITH 3-STATE OUTPUTS**

SDAS066G – DECEMBER 1983 – REVISED DECEMBER 2000

switching characteristics (see Figure 2)

PARAMETER	FROM (INPUT)	TO (OUTPUT)	V _{CC} = 4.5 V to 5.5 V, C _L = 50 pF, R ₁ = 500 Ω, R ₂ = 500 Ω, T _A = MIN to MAX†		UNIT
			SN74ALS651A		
			MIN	MAX	
f _{max}			40		MHz
t _{PLH}	CLKBA or CLKAB	A or B	8	32	ns
t _{PHL}			5	17	
t _{PLH}	A or B	B or A	2	18	ns
t _{PHL}			2	10	
t _{PLH}	SBA or SAB‡ (with A or B high)	A or B	8	38	ns
t _{PHL}			6	21	
t _{PLH}	SBA or SAB‡ (with A or B low)	A or B	8	25	ns
t _{PHL}			7	21	
t _{PZH}	$\overline{\text{OEBA}}$	A	3	20	ns
t _{PZL}			5	18	
t _{PHZ}	$\overline{\text{OEBA}}$	A	2	9	ns
t _{PLZ}			3	12	
t _{PZH}	OEAB	B	3	22	ns
t _{PZL}			6	21	
t _{PHZ}	OEAB	B	2	12	ns
t _{PLZ}			2	14	

† For conditions shown as MIN or MAX, use the appropriate value specified under recommended operating conditions.

‡ These parameters are measured with the internal output state of the storage register opposite that of the bus input.



**SN54ALS652, SN54ALS653, SN54AS651, SN54AS652
SN74ALS651A, SN74ALS652A, SN74ALS653, SN74ALS654, SN74AS651, SN74AS652
OCTAL BUS TRANSCEIVERS AND REGISTERS WITH 3-STATE OUTPUTS**

SDAS066G – DECEMBER 1983 – REVISED DECEMBER 2000

switching characteristics (see Figure 2)

PARAMETER	FROM (INPUT)	TO (OUTPUT)	V _{CC} = 4.5 V to 5.5 V, C _L = 50 pF, R ₁ = 500 Ω, R ₂ = 500 Ω, T _A = MIN to MAX†				UNIT
			SN54ALS652		SN74ALS652A		
			MIN	MAX	MIN	MAX	
t _{max}			35		40	MHz	
t _{PLH}	CLKBA or CLKAB	A or B	10	35	8	30	ns
t _{PHL}			5	20	5	17	
t _{PLH}	A or B	B or A	5	20	4	18	ns
t _{PHL}			3	15	3	12	
t _{PLH}	SBA or SAB‡ (with A or B high)	A or B	15	40	8	35	ns
t _{PHL}			6	23	6	20	
t _{PLH}	SBA or SAB‡ (with A or B low)	A or B	8	30	8	25	ns
t _{PHL}			5	24	5	20	
t _{PZH}	\overline{OEBA}	A	3	20	3	17	ns
t _{PZL}			5	22	5	18	
t _{PHZ}	\overline{OEBA}	A	1	12	1	10	ns
t _{PLZ}			2	20	2	16	
t _{PZH}	OEAB	B	8	25	3	22	ns
t _{PZL}			6	21	5	18	
t _{PHZ}	OEAB	B	1	12	1	10	ns
t _{PLZ}			2	21	2	16	

† For conditions shown as MIN or MAX, use the appropriate value specified under recommended operating conditions.

‡ These parameters are measured with the internal output state of the storage register opposite that of the bus input.

SN54ALS652, SN54ALS653, SN54AS651, SN54AS652 SN74ALS651A, SN74ALS652A, SN74ALS653, SN74ALS654, SN74AS651, SN74AS652 OCTAL BUS TRANSCEIVERS AND REGISTERS WITH 3-STATE OUTPUTS

SDAS066G – DECEMBER 1983 – REVISED DECEMBER 2000

absolute maximum ratings over operating free-air temperature range (unless otherwise noted)†

Supply voltage range, V_{CC}	-0.5 V to 7 V
Input voltage range, V_I : Control inputs	-0.5 V to 7 V
I/O ports	-0.5 V to 5.5 V
Package thermal impedance, θ_{JA} (see Note 1): DW package	46°C/W
NT package	67°C/W
Storage temperature range, T_{stg}	-65°C to 150°C

† Stresses beyond those listed under “absolute maximum ratings” may cause permanent damage to the device. These are stress ratings only, and functional operation of the device at these or any other conditions beyond those indicated under “recommended operating conditions” is not implied. Exposure to absolute-maximum-rated conditions for extended periods may affect device reliability.

NOTE 1: The package thermal impedance is calculated in accordance with JESD 51.

recommended operating conditions

	SN54ALS653			SN74ALS653			UNIT	
	MIN	NOM	MAX	MIN	NOM	MAX		
V_{CC} Supply voltage	4.5	5	5.5	4.5	5	5.5	V	
V_{IH} High-level input voltage	2			2			V	
V_{IL} Low-level input voltage			0.7			0.8	V	
V_{OH} High-level output voltage			5.5			5.5	V	
I_{OH} High-level output current			-12			-15	mA	
I_{OL} Low-level output current			12			24	mA	
f_{clock} Clock frequency	0		25	0		35	MHz	
t_w Pulse duration	CLKBA or CLKAB high		20	14.5		ns		
	CLKBA or CLKAB low		20	14.5				
t_{su} Setup time before CLKAB↑ or CLKBA↑	A or B		15		10	ns		
t_h Hold time after CLKAB↑ or CLKBA↑	A or B		5		0	ns		
T_A Operating free-air temperature			-55		125	0	70	°C

recommended operating conditions

	SN74ALS654			UNIT	
	MIN	NOM	MAX		
V_{CC} Supply voltage	4.5	5	5.5	V	
V_{IH} High-level input voltage	2			V	
V_{IL} Low-level input voltage			0.8	V	
V_{OH} High-level output voltage			5.5	V	
I_{OH} High-level output current			-15	mA	
I_{OL} Low-level output current			24	mA	
f_{clock} Clock frequency	0		35	MHz	
t_w Pulse duration	CLKBA or CLKAB high		14.5	ns	
	CLKBA or CLKAB low		14.5		
t_{su} Setup time before CLKAB↑ or CLKBA↑	A or B		10	ns	
t_h Hold time after CLKAB↑ or CLKBA↑	A or B		0	ns	
T_A Operating free-air temperature			0	70	°C



**SN54ALS652, SN54ALS653, SN54AS651, SN54AS652
SN74ALS651A, SN74ALS652A, SN74ALS653, SN74ALS654, SN74AS651, SN74AS652
OCTAL BUS TRANSCEIVERS AND REGISTERS WITH 3-STATE OUTPUTS**

SDAS066G – DECEMBER 1983 – REVISED DECEMBER 2000

electrical characteristics over recommended operating free-air temperature range (unless otherwise noted)

PARAMETER		TEST CONDITIONS	SN54ALS653		SN74ALS653		UNIT	
			MIN	TYP†	MAX	MIN		TYP†
V _{IK}		V _{CC} = 4.5 V, I _I = -18 mA	-1.2		-1.2		V	
V _{OH}	B ports	V _{CC} = 4.5 V to 5.5 V, I _{OH} = -0.4 mA	V _{CC} -2		V _{CC} -2		V	
		V _{CC} = 4.5 V	I _{OH} = -3 mA	2.4	3.2	2.4		3.2
			I _{OH} = -12 mA	2				
			I _{OH} = -15 mA			2		
V _{OL}	V _{CC} = 4.5 V	I _{OL} = 12 mA	0.25	0.4	0.25	0.4	V	
		I _{OL} = 24 mA			0.35	0.5		
I _I	Control inputs	V _{CC} = 5.5 V, V _I = 7 V	0.1		0.1		mA	
	A or B ports	V _{CC} = 5.5 V, V _I = 5.5 V	0.1		0.1			
I _{IH}	Control inputs	V _{CC} = 5.5 V, V _I = 2.7 V	20		20		μA	
	A or B ports‡		20		20			
I _{IL}	Control inputs	V _{CC} = 5.5 V, V _I = 0.4 V	-0.2		-0.2		mA	
	A or B ports‡		-0.2		-0.2			
I _{OH}	A ports	V _{CC} = 4.5 V, V _{OH} = 5.5 V	0.1		0.1		mA	
I _O §	B ports	V _{CC} = 5.5 V, V _O = 2.25 V	-20	-112	-30	-112	mA	
I _{CC}		V _{CC} = 5.5 V	Outputs high	47	76	47	76	mA
			Outputs low	55	88	55	88	
			Outputs disabled	55	88	55	88	

† All typical values are at V_{CC} = 5 V, T_A = 25°C.

‡ For I/O ports, the parameters I_{IH} and I_{IL} include the off-state output current.

§ The output conditions have been chosen to produce a current that closely approximates one-half of the true short-circuit output current, I_{OS}.

**SN54ALS652, SN54ALS653, SN54AS651, SN54AS652
 SN74ALS651A, SN74ALS652A, SN74ALS653, SN74ALS654, SN74AS651, SN74AS652
 OCTAL BUS TRANSCEIVERS AND REGISTERS WITH 3-STATE OUTPUTS**

SDAS066G – DECEMBER 1983 – REVISED DECEMBER 2000

electrical characteristics over recommended operating free-air temperature range (unless otherwise noted)

PARAMETER		TEST CONDITIONS		SN74ALS654		UNIT
				MIN	TYP†	
V _{IK}		V _{CC} = 4.5 V,	I _I = -18 mA	-1.2		V
V _{OH}	B ports	V _{CC} = 4.5 V to 5.5 V,	I _{OH} = -0.4 mA	V _{CC} - 2		V
		V _{CC} = 4.5 V	I _{OH} = -3 mA	2.4	3.2	
V _{OL}		V _{CC} = 4.5 V	I _{OL} = 12 mA	0.25	0.4	V
			I _{OL} = 24 mA	0.35	0.5	
I _I	Control inputs	V _{CC} = 5.5 V,	V _I = 7 V	0.1		mA
	A or B ports	V _{CC} = 5.5 V,	V _I = 5.5 V	0.1		
I _{IH}	Control inputs	V _{CC} = 5.5 V,	V _I = 2.7 V	20		μA
	A or B ports‡			20		
I _{IL}	Control inputs	V _{CC} = 5.5 V,	V _I = 0.4 V	-0.2		mA
	A or B ports‡			-0.2		
I _{OH}	A ports	V _{CC} = 4.5 V,	V _{OH} = 5.5 V	0.1		mA
I _O §	B ports	V _{CC} = 5.5 V,	V _O = 2.25 V	-30	-112	mA
I _{CC}		V _{CC} = 5.5 V	Outputs high	47	76	mA
			Outputs low	55	88	
			Outputs disabled	55	88	

† All typical values are at V_{CC} = 5 V, T_A = 25°C.

‡ For I/O ports, the parameters I_{IH} and I_{IL} include the off-state output current.

§ The output conditions have been chosen to produce a current that closely approximates one-half of the true short-circuit output current, I_{OS}.



**SN54ALS652, SN54ALS653, SN54AS651, SN54AS652
SN74ALS651A, SN74ALS652A, SN74ALS653, SN74ALS654, SN74AS651, SN74AS652
OCTAL BUS TRANSCEIVERS AND REGISTERS WITH 3-STATE OUTPUTS**

SDAS066G – DECEMBER 1983 – REVISED DECEMBER 2000

switching characteristics (see Figure 2)

PARAMETER	FROM (INPUT)	TO (OUTPUT)	V _{CC} = 4.5 V to 5.5 V, C _L = 50 pF, R _L = 680 Ω (A outputs), R ₁ = R ₂ = 500 Ω (B outputs), T _A = MIN to MAX†				UNIT
			SN54ALS653		SN74ALS653		
			MIN	MAX	MIN	MAX	
f _{max}			25		35		MHz
t _{PLH}	CLKBA	A	16	71	16	64	ns
t _{PHL}			6	24	6	22	
t _{PLH}	CLKAB	B	10	35	10	30	ns
t _{PHL}			5	20	5	17	
t _{PLH}	A	B	5	20	5	18	ns
t _{PHL}			1.5	18	2	15	
t _{PLH}	B	A	8	63	12	56	ns
t _{PHL}			2	18	2	15	
t _{PLH}	SBA‡ (with B high)	A	12	68	19	62	ns
t _{PHL}			5	27	5	25	
t _{PLH}	SBA‡ (with B low)	A	12	68	19	62	ns
t _{PHL}			5	27	5	25	
t _{PLH}	SAB‡ (with A high)	B	8	30	15	35	ns
t _{PHL}			6	25	6	22	
t _{PLH}	SAB‡ (with A low)	B	12	40	8	25	ns
t _{PHL}			6	25	6	22	
t _{PLH}	\overline{OEBA}	A	6	35	6	30	ns
t _{PHL}			6	27	6	24	
t _{PZH}	OEAB	B	7	25	8	22	ns
t _{PZL}			6	25	6	22	
t _{PHZ}	OEAB	B	1	16	1	14	ns
t _{PLZ}			2	21	2	16	

† For conditions shown as MIN or MAX, use the appropriate value specified under recommended operating conditions.

‡ These parameters are measured with the internal output state of the storage register opposite that of the bus input.

**SN54ALS652, SN54ALS653, SN54AS651, SN54AS652
 SN74ALS651A, SN74ALS652A, SN74ALS653, SN74ALS654, SN74AS651, SN74AS652
 OCTAL BUS TRANSCEIVERS AND REGISTERS WITH 3-STATE OUTPUTS**

SDAS066G – DECEMBER 1983 – REVISED DECEMBER 2000

switching characteristics (see Figure 2)

PARAMETER	FROM (INPUT)	TO (OUTPUT)	V _{CC} = 4.5 V to 5.5 V, C _L = 50 pF, R _L = 680 Ω (A outputs), R ₁ = R ₂ = 500 Ω (B outputs), T _A = MIN to MAX†		UNIT
			SN74ALS654		
			MIN	MAX	
f _{max}			35		MHz
t _{PLH}	CLKBA	A	16	64	ns
t _{PHL}			6	22	
t _{PLH}	CLKAB	B	10	30	ns
t _{PHL}			5	17	
t _{PLH}	A	B	5	18	ns
t _{PHL}			2	15	
t _{PLH}	B	A	12	56	ns
t _{PHL}			2	21	
t _{PLH}	SBA‡ (with B low)	A	19	62	ns
t _{PHL}			5	25	
t _{PLH}	SBA‡ (with B high)	A	19	62	ns
t _{PHL}			5	25	
t _{PLH}	SAB‡ (with A low)	B	15	35	ns
t _{PHL}			6	22	
t _{PLH}	SAB‡ (with A high)	B	8	25	ns
t _{PHL}			6	22	
t _{PLH}	$\overline{\text{OEBA}}$	A	6	30	ns
t _{PHL}			6	24	
t _{PZH}	OEAB	B	6	22	ns
t _{PZL}			6	22	
t _{PHZ}	OEAB	B	1	14	ns
t _{PLZ}			2	16	

† For conditions shown as MIN or MAX, use the appropriate value specified under recommended operating conditions.

‡ These parameters are measured with the internal output state of the storage register opposite that of the bus input.



**SN54ALS652, SN54ALS653, SN54AS651, SN54AS652
SN74ALS651A, SN74ALS652A, SN74ALS653, SN74ALS654, SN74AS651, SN74AS652
OCTAL BUS TRANSCEIVERS AND REGISTERS WITH 3-STATE OUTPUTS**

SDAS066G – DECEMBER 1983 – REVISED DECEMBER 2000

absolute maximum ratings over operating free-air temperature range (unless otherwise noted)†

Supply voltage range, V_{CC}	–0.5 V to 7 V
Input voltage range, V_I : Control inputs	–0.5 V to 7 V
I/O ports	–0.5 V to 5.5 V
Package thermal impedance, θ_{JA} (see Note 1): DW package	46°C/W
NT package	67°C/W
Storage temperature range, T_{stg}	–65°C to 150°C

† Stresses beyond those listed under “absolute maximum ratings” may cause permanent damage to the device. These are stress ratings only, and functional operation of the device at these or any other conditions beyond those indicated under “recommended operating conditions” is not implied. Exposure to absolute-maximum-rated conditions for extended periods may affect device reliability.

NOTE 1: The package thermal impedance is calculated in accordance with JESD 51.

recommended operating conditions

		SN54AS651 SN54AS652			SN74AS651 SN74AS652			UNIT
		MIN	NOM	MAX	MIN	NOM	MAX	
V_{CC}	Supply voltage	4.5	5	5.5	4.5	5	5.5	V
V_{IH}	High-level input voltage	2			2			V
V_{IL}	Low-level input voltage			0.8			0.8	V
I_{OH}	High-level output current			–12			–15	mA
I_{OL}	Low-level output current			32			48	mA
f_{clock}	Clock frequency	0*		75*	0		90	MHz
t_w	Pulse duration	CLKBA or CLKAB high		6*	5		ns	
		CLKBA or CLKAB low		7*	6			
t_{su}	Setup time before CLKAB↑ or CLKBA↑	A or B		7*	6		ns	
t_h	Hold time after CLKAB↑ or CLKBA	A or B		0*	0		ns	
T_A	Operating free-air temperature	–55		125	0		70	°C

* On products compliant to MIL-PRF-38535, this parameter is based on characterized data but is not production tested.



**SN54ALS652, SN54ALS653, SN54AS651, SN54AS652
 SN74ALS651A, SN74ALS652A, SN74ALS653, SN74ALS654, SN74AS651, SN74AS652
 OCTAL BUS TRANSCEIVERS AND REGISTERS WITH 3-STATE OUTPUTS**

SDAS066G – DECEMBER 1983 – REVISED DECEMBER 2000

electrical characteristics over recommended operating free-air temperature range (unless otherwise noted)

PARAMETER	TEST CONDITIONS		SN54AS651 SN54AS652			SN74AS651 SN74AS652			UNIT
			MIN	TYP†	MAX	MIN	TYP†	MAX	
V _{IK}	V _{CC} = 4.5 V, I _I = -18 mA		-1.2			-1.2			V
V _{OH}	V _{CC} = 4.5 V to 5.5 V, I _{OH} = -2 mA		V _{CC} -2			V _{CC} -2			V
	V _{CC} = 4.5 V	I _{OH} = -3 mA	2.4	3.2	2.4	3.2			
		I _{OH} = -12 mA	2						
		I _{OH} = -15 mA			2				
V _{OL}	V _{CC} = 4.5 V	I _{OL} = 32 mA	0.25	0.5					
		I _{OL} = 48 mA			0.35	0.5			
I _I	Control inputs	V _{CC} = 5.5 V, V _I = 7 V	0.1			0.1			mA
	A or B ports	V _{CC} = 5.5 V, V _I = 5.5 V	0.1			0.1			
I _{IH}	Control inputs	V _{CC} = 5.5 V, V _I = 2.7 V	20			20			μA
	A or B ports‡		70			70			
I _{IL}	Control input	V _{CC} = 5.5 V, V _I = 0.4 V	-0.5			-0.5			mA
	A or B ports‡		-0.75			-0.75			
I _O §	V _{CC} = 5.5 V, V _O = 2.25 V		-30	-112	-30	-112	mA		
I _{CC}	'AS651	V _{CC} = 5.5 V	Outputs high		110	185	110	185	mA
			Outputs low		120	195	120	195	
			Outputs disabled		130	195	130	195	
	'AS652	V _{CC} = 5.5 V	Outputs high		120	195	120	195	
			Outputs low		130	211	130	211	
			Outputs disabled		130	211	130	211	

† All typical values are at V_{CC} = 5 V, T_A = 25 °C.

‡ For I/O ports, the parameters I_{IH} and I_{IL} include the off-state output current.

§ The output conditions have been chosen to produce a current that closely approximates one-half of the true short-circuit output current, I_{OS}.



**SN54ALS652, SN54ALS653, SN54AS651, SN54AS652
SN74ALS651A, SN74ALS652A, SN74ALS653, SN74ALS654, SN74AS651, SN74AS652
OCTAL BUS TRANSCEIVERS AND REGISTERS WITH 3-STATE OUTPUTS**

SDAS066G – DECEMBER 1983 – REVISED DECEMBER 2000

switching characteristics (see Figure 2)

PARAMETER	FROM (INPUT)	TO (OUTPUT)	V _{CC} = 4.5 V to 5.5 V, C _L = 50 pF, R ₁ = 500 Ω, R ₂ = 500 Ω, T _A = MIN to MAX†				UNIT
			SN54AS651		SN74AS651		
			MIN	MAX	MIN	MAX	
f _{max}			75*		90		MHz
t _{PLH}	CLKBA or CLKAB	A or B	2	11	2	8.5	ns
t _{PHL}			2	10	2	9	
t _{PLH}	A or B	B or A	2	12	2	8	ns
t _{PHL}			1	8	1	7	
t _{PLH}	SBA or SAB‡	A or B	2	15	2	11	ns
t _{PHL}			2	11	2	9	
t _{PZH}	\overline{OEBA}	A	2	11	2	10	ns
t _{PZL}			3	18	3	16	
t _{PHZ}	\overline{OEBA}	A	2	10	2	9	ns
t _{PLZ}			2	10	2	9	
t _{PZH}	OEAB	B	3	12	3	11	ns
t _{PZL}			3	20	3	16	
t _{PHZ}	OEAB	B	2	11	2	10	ns
t _{PLZ}			2	12	2	11	

* On products compliant to MIL-PRF-38535, this parameter is based on characterized data but is not production tested.

† For conditions shown as MIN or MAX, use the appropriate value specified under recommended operating conditions.

‡ These parameters are measured with the internal output state of the storage register opposite that of the bus input.

**SN54ALS652, SN54ALS653, SN54AS651, SN54AS652
 SN74ALS651A, SN74ALS652A, SN74ALS653, SN74ALS654, SN74AS651, SN74AS652
 OCTAL BUS TRANSCEIVERS AND REGISTERS WITH 3-STATE OUTPUTS**

SDAS066G – DECEMBER 1983 – REVISED DECEMBER 2000

switching characteristics (see Figure 2)

PARAMETER	FROM (INPUT)	TO (OUTPUT)	V _{CC} = 4.5 V TO 5.5 V, C _L = 50 PF, R1 = 500 Ω, R2 = 500 Ω, T _A = MIN TO MAX†				UNIT
			SN54AS652		SN74AS652		
			MIN	MAX	TYP	MAX	
f _{max}			75*		90		MHz
t _{PLH}	CLKBA or CLKAB	A or B	2	11	2	8.5	ns
t _{PHL}			2	10	2	9	
t _{PLH}	A or B	B or A	2	12	2	9	ns
t _{PHL}			1	8	1	7	
t _{PLH}	SBA or SAB‡	A or B	2	15	2	11	ns
t _{PHL}			2	11	2	9	
t _{PZH}	$\overline{\text{OEBA}}$	A	2	11	2	10	ns
t _{PZL}			3	18	3	16	
t _{PHZ}	$\overline{\text{OEBA}}$	A	2	10	2	9	ns
t _{PLZ}			2	10	2	9	
t _{PZH}	OEAB	B	3	12	3	11	ns
t _{PZL}			3	20	3	16	
t _{PHZ}	OEAB	B	2	11	2	10	ns
t _{PLZ}			2	12	2	11	

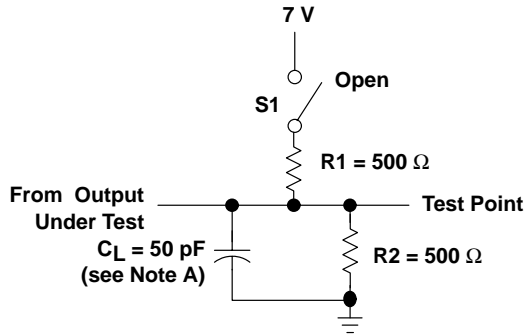
* On products compliant to MIL-PRF-38535, this parameter is based on characterized data but is not production tested.

† For conditions shown as MIN or MAX, use the appropriate value specified under recommended operating conditions.

‡ These parameters are measured with the internal output state of the storage register opposite that of the bus input.



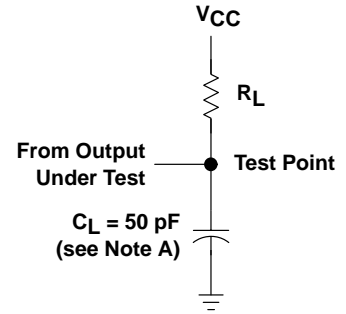
PARAMETER MEASUREMENT INFORMATION



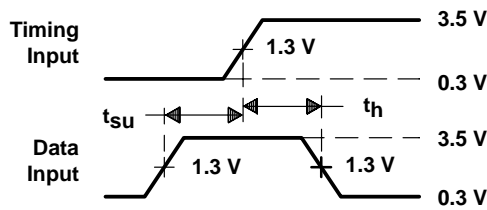
LOAD CIRCUIT FOR 3-STATE OUTPUTS

SWITCH POSITION TABLE

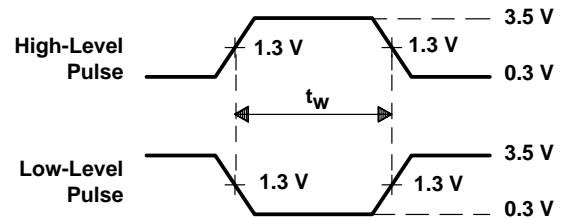
TEST	S1
t _{PLH}	Open
t _{PHL}	Open
t _{PZH}	Open
t _{PZL}	Closed
t _{PHZ}	Open
t _{PLZ}	Closed



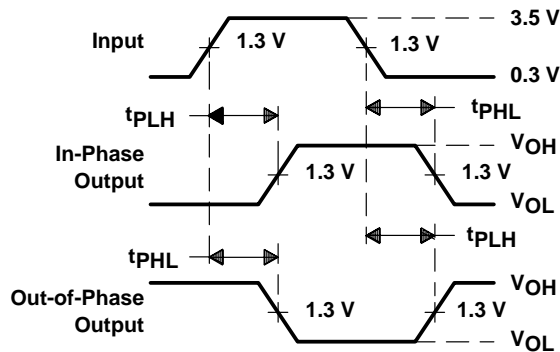
LOAD CIRCUIT FOR OPEN-COLLECTOR OUTPUTS



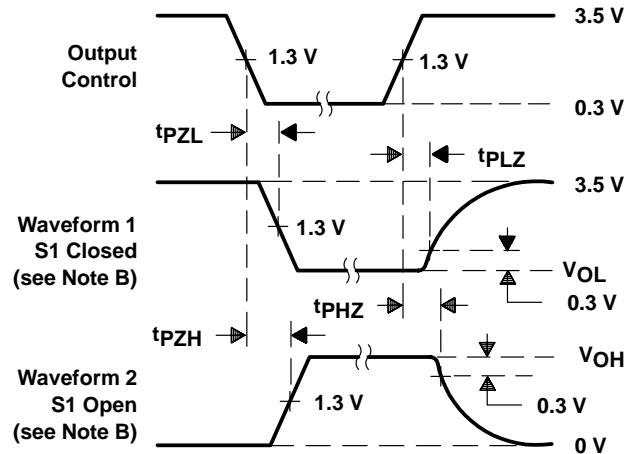
VOLTAGE WAVEFORMS SETUP AND HOLD TIMES



VOLTAGE WAVEFORMS PULSE DURATION



VOLTAGE WAVEFORMS PROPAGATION DELAY TIMES



VOLTAGE WAVEFORMS ENABLE AND DISABLE TIMES, 3-STATE OUTPUTS

- NOTES: A. C_L includes probe and jig capacitance.
 B. Waveform 1 is for an output with internal conditions such that the output is low except when disabled by the output control. Waveform 2 is for an output with internal conditions such that the output is high except when disabled by the output control.
 C. All input pulses are supplied by generators having the following characteristics: $PRR \leq 1$ MHz, $Z_0 = 50 \Omega$, $t_r \leq 2$ ns, $t_f \leq 2$ ns.
 D. The outputs are measured one at a time with one transition per measurement.

Figure 2. Load Circuits and Voltage Waveforms

PACKAGING INFORMATION

Orderable part number	Status (1)	Material type (2)	Package Pins	Package qty Carrier	RoHS (3)	Lead finish/ Ball material (4)	MSL rating/ Peak reflow (5)	Op temp (°C)	Part marking (6)
5962-88673013A	Active	Production	LCCC (FK) 28	42 TUBE	No	SNPB	N/A for Pkg Type	-55 to 125	5962- 88673013A SNJ54ALS 652FK
5962-8867301LA	Active	Production	CDIP (JT) 24	15 TUBE	No	SNPB	N/A for Pkg Type	-55 to 125	5962-8867301LA SNJ54ALS652JT
5962-8868701LA	Active	Production	CDIP (JT) 24	15 TUBE	No	SNPB	N/A for Pkg Type	-55 to 125	5962-8868701LA SNJ54AS652JT
5962-89687013A	Active	Production	LCCC (FK) 28	42 TUBE	No	SNPB	N/A for Pkg Type	-55 to 125	5962- 89687013A SNJ54ALS 653FK
5962-8968701LA	Active	Production	CDIP (JT) 24	15 TUBE	No	SNPB	N/A for Pkg Type	-55 to 125	5962-8968701LA SNJ54ALS653JT
SN54ALS652JT	Active	Production	CDIP (JT) 24	15 TUBE	No	SNPB	N/A for Pkg Type	-55 to 125	SN54ALS652JT
SN54ALS652JT.A	Active	Production	CDIP (JT) 24	15 TUBE	No	SNPB	N/A for Pkg Type	-55 to 125	SN54ALS652JT
SN54AS652JT	Active	Production	CDIP (JT) 24	15 TUBE	No	SNPB	N/A for Pkg Type	-55 to 125	SN54AS652JT
SN54AS652JT.A	Active	Production	CDIP (JT) 24	15 TUBE	No	SNPB	N/A for Pkg Type	-55 to 125	SN54AS652JT
SN74ALS652A-1DW	Active	Production	SOIC (DW) 24	25 TUBE	Yes	NIPDAU	Level-1-260C-UNLIM	0 to 70	ALS652A-1
SN74ALS652A-1DW.A	Active	Production	SOIC (DW) 24	25 TUBE	Yes	NIPDAU	Level-1-260C-UNLIM	0 to 70	ALS652A-1
SN74ALS652ADW	Active	Production	SOIC (DW) 24	25 TUBE	Yes	NIPDAU	Level-1-260C-UNLIM	0 to 70	ALS652A
SN74ALS652ADW.A	Active	Production	SOIC (DW) 24	25 TUBE	Yes	NIPDAU	Level-1-260C-UNLIM	0 to 70	ALS652A
SN74ALS652ADWR	Active	Production	SOIC (DW) 24	2000 LARGE T&R	Yes	NIPDAU	Level-1-260C-UNLIM	0 to 70	ALS652A
SN74ALS652ADWR.A	Active	Production	SOIC (DW) 24	2000 LARGE T&R	Yes	NIPDAU	Level-1-260C-UNLIM	0 to 70	ALS652A
SN74ALS653DW	Active	Production	SOIC (DW) 24	25 TUBE	Yes	NIPDAU	Level-1-260C-UNLIM	0 to 70	ALS653
SN74ALS653DW.A	Active	Production	SOIC (DW) 24	25 TUBE	Yes	NIPDAU	Level-1-260C-UNLIM	0 to 70	ALS653
SN74ALS653DWE4	Active	Production	SOIC (DW) 24	25 TUBE	Yes	NIPDAU	Level-1-260C-UNLIM	0 to 70	ALS653
SN74AS652DW	Active	Production	SOIC (DW) 24	25 TUBE	Yes	NIPDAU	Level-1-260C-UNLIM	0 to 70	AS652
SN74AS652DW.A	Active	Production	SOIC (DW) 24	25 TUBE	Yes	NIPDAU	Level-1-260C-UNLIM	0 to 70	AS652

Orderable part number	Status (1)	Material type (2)	Package Pins	Package qty Carrier	RoHS (3)	Lead finish/ Ball material (4)	MSL rating/ Peak reflow (5)	Op temp (°C)	Part marking (6)
SNJ54ALS652FK	Active	Production	LCCC (FK) 28	42 TUBE	No	SNPB	N/A for Pkg Type	-55 to 125	5962-88673013A SNJ54ALS 652FK
SNJ54ALS652FK.A	Active	Production	LCCC (FK) 28	42 TUBE	No	SNPB	N/A for Pkg Type	-55 to 125	5962-88673013A SNJ54ALS 652FK
SNJ54ALS652JT	Active	Production	CDIP (JT) 24	15 TUBE	No	SNPB	N/A for Pkg Type	-55 to 125	5962-8867301LA SNJ54ALS652JT
SNJ54ALS652JT.A	Active	Production	CDIP (JT) 24	15 TUBE	No	SNPB	N/A for Pkg Type	-55 to 125	5962-8867301LA SNJ54ALS652JT
SNJ54ALS653FK	Active	Production	LCCC (FK) 28	42 TUBE	No	SNPB	N/A for Pkg Type	-55 to 125	5962-89687013A SNJ54ALS 653FK
SNJ54ALS653FK.A	Active	Production	LCCC (FK) 28	42 TUBE	No	SNPB	N/A for Pkg Type	-55 to 125	5962-89687013A SNJ54ALS 653FK
SNJ54ALS653JT	Active	Production	CDIP (JT) 24	15 TUBE	No	SNPB	N/A for Pkg Type	-55 to 125	5962-8968701LA SNJ54ALS653JT
SNJ54ALS653JT.A	Active	Production	CDIP (JT) 24	15 TUBE	No	SNPB	N/A for Pkg Type	-55 to 125	5962-8968701LA SNJ54ALS653JT
SNJ54AS652JT	Active	Production	CDIP (JT) 24	15 TUBE	No	SNPB	N/A for Pkg Type	-55 to 125	5962-8868701LA SNJ54AS652JT
SNJ54AS652JT.A	Active	Production	CDIP (JT) 24	15 TUBE	No	SNPB	N/A for Pkg Type	-55 to 125	5962-8868701LA SNJ54AS652JT

⁽¹⁾ **Status:** For more details on status, see our [product life cycle](#).

⁽²⁾ **Material type:** When designated, preproduction parts are prototypes/experimental devices, and are not yet approved or released for full production. Testing and final process, including without limitation quality assurance, reliability performance testing, and/or process qualification, may not yet be complete, and this item is subject to further changes or possible discontinuation. If available for ordering, purchases will be subject to an additional waiver at checkout, and are intended for early internal evaluation purposes only. These items are sold without warranties of any kind.

⁽³⁾ **RoHS values:** Yes, No, RoHS Exempt. See the [TI RoHS Statement](#) for additional information and value definition.

(4) **Lead finish/Ball material:** Parts may have multiple material finish options. Finish options are separated by a vertical ruled line. Lead finish/Ball material values may wrap to two lines if the finish value exceeds the maximum column width.

(5) **MSL rating/Peak reflow:** The moisture sensitivity level ratings and peak solder (reflow) temperatures. In the event that a part has multiple moisture sensitivity ratings, only the lowest level per JEDEC standards is shown. Refer to the shipping label for the actual reflow temperature that will be used to mount the part to the printed circuit board.

(6) **Part marking:** There may be an additional marking, which relates to the logo, the lot trace code information, or the environmental category of the part.

Multiple part markings will be inside parentheses. Only one part marking contained in parentheses and separated by a "~" will appear on a part. If a line is indented then it is a continuation of the previous line and the two combined represent the entire part marking for that device.

Important Information and Disclaimer: The information provided on this page represents TI's knowledge and belief as of the date that it is provided. TI bases its knowledge and belief on information provided by third parties, and makes no representation or warranty as to the accuracy of such information. Efforts are underway to better integrate information from third parties. TI has taken and continues to take reasonable steps to provide representative and accurate information but may not have conducted destructive testing or chemical analysis on incoming materials and chemicals. TI and TI suppliers consider certain information to be proprietary, and thus CAS numbers and other limited information may not be available for release.

In no event shall TI's liability arising out of such information exceed the total purchase price of the TI part(s) at issue in this document sold by TI to Customer on an annual basis.

OTHER QUALIFIED VERSIONS OF SN54ALS653, SN54AS652, SN74ALS653, SN74AS652 :

- Catalog : [SN74ALS653](#), [SN74AS652](#)
- Military : [SN54ALS653](#), [SN54AS652](#)

NOTE: Qualified Version Definitions:

- Catalog - TI's standard catalog product
- Military - QML certified for Military and Defense Applications

TAPE AND REEL INFORMATION

QUADRANT ASSIGNMENTS FOR PIN 1 ORIENTATION IN TAPE


*All dimensions are nominal

Device	Package Type	Package Drawing	Pins	SPQ	Reel Diameter (mm)	Reel Width W1 (mm)	A0 (mm)	B0 (mm)	K0 (mm)	P1 (mm)	W (mm)	Pin1 Quadrant
SN74ALS652ADWR	SOIC	DW	24	2000	330.0	24.4	10.75	15.7	2.7	12.0	24.0	Q1

TAPE AND REEL BOX DIMENSIONS


*All dimensions are nominal

Device	Package Type	Package Drawing	Pins	SPQ	Length (mm)	Width (mm)	Height (mm)
SN74ALS652ADWR	SOIC	DW	24	2000	350.0	350.0	43.0

TUBE


*All dimensions are nominal

Device	Package Name	Package Type	Pins	SPQ	L (mm)	W (mm)	T (μm)	B (mm)
SN74ALS652A-1DW	DW	SOIC	24	25	506.98	12.7	4826	6.6
SN74ALS652A-1DW.A	DW	SOIC	24	25	506.98	12.7	4826	6.6
SN74ALS652ADW	DW	SOIC	24	25	506.98	12.7	4826	6.6
SN74ALS652ADW.A	DW	SOIC	24	25	506.98	12.7	4826	6.6
SN74ALS653DW	DW	SOIC	24	25	506.98	12.7	4826	6.6
SN74ALS653DW.A	DW	SOIC	24	25	506.98	12.7	4826	6.6
SN74ALS653DWE4	DW	SOIC	24	25	506.98	12.7	4826	6.6
SN74AS652DW	DW	SOIC	24	25	506.98	12.7	4826	6.6
SN74AS652DW.A	DW	SOIC	24	25	506.98	12.7	4826	6.6

JT (R-GDIP-T**)

CERAMIC DUAL-IN-LINE

24 LEADS SHOWN



- NOTES: A. All linear dimensions are in inches (millimeters).
 B. This drawing is subject to change without notice.
 C. This package can be hermetically sealed with a ceramic lid using glass frit.
 D. Index point is provided on cap for terminal identification.
 E. Falls within MIL STD 1835 GDIP3-T24, GDIP4-T28, and JEDEC MO-058 AA, MO-058 AB

FK (S-CQCC-N**)

LEADLESS CERAMIC CHIP CARRIER

28 TERMINAL SHOWN



NO. OF TERMINALS **	A		B	
	MIN	MAX	MIN	MAX
20	0.342 (8,69)	0.358 (9,09)	0.307 (7,80)	0.358 (9,09)
28	0.442 (11,23)	0.458 (11,63)	0.406 (10,31)	0.458 (11,63)
44	0.640 (16,26)	0.660 (16,76)	0.495 (12,58)	0.560 (14,22)
52	0.740 (18,78)	0.761 (19,32)	0.495 (12,58)	0.560 (14,22)
68	0.938 (23,83)	0.962 (24,43)	0.850 (21,6)	0.858 (21,8)
84	1.141 (28,99)	1.165 (29,59)	1.047 (26,6)	1.063 (27,0)



4040140/D 01/11

- NOTES:
- All linear dimensions are in inches (millimeters).
 - This drawing is subject to change without notice.
 - This package can be hermetically sealed with a metal lid.
 - Falls within JEDEC MS-004

DW (R-PDSO-G24)

PLASTIC SMALL OUTLINE



- NOTES:
- A. All linear dimensions are in inches (millimeters). Dimensioning and tolerancing per ASME Y14.5M-1994.
 - B. This drawing is subject to change without notice.
 - C. Body dimensions do not include mold flash or protrusion not to exceed 0.006 (0,15).
 - D. Falls within JEDEC MS-013 variation AD.

IMPORTANT NOTICE AND DISCLAIMER

TI PROVIDES TECHNICAL AND RELIABILITY DATA (INCLUDING DATASHEETS), DESIGN RESOURCES (INCLUDING REFERENCE DESIGNS), APPLICATION OR OTHER DESIGN ADVICE, WEB TOOLS, SAFETY INFORMATION, AND OTHER RESOURCES "AS IS" AND WITH ALL FAULTS, AND DISCLAIMS ALL WARRANTIES, EXPRESS AND IMPLIED, INCLUDING WITHOUT LIMITATION ANY IMPLIED WARRANTIES OF MERCHANTABILITY, FITNESS FOR A PARTICULAR PURPOSE OR NON-INFRINGEMENT OF THIRD PARTY INTELLECTUAL PROPERTY RIGHTS.

These resources are intended for skilled developers designing with TI products. You are solely responsible for (1) selecting the appropriate TI products for your application, (2) designing, validating and testing your application, and (3) ensuring your application meets applicable standards, and any other safety, security, regulatory or other requirements.

These resources are subject to change without notice. TI grants you permission to use these resources only for development of an application that uses the TI products described in the resource. Other reproduction and display of these resources is prohibited. No license is granted to any other TI intellectual property right or to any third party intellectual property right. TI disclaims responsibility for, and you fully indemnify TI and its representatives against any claims, damages, costs, losses, and liabilities arising out of your use of these resources.

TI's products are provided subject to [TI's Terms of Sale](#), [TI's General Quality Guidelines](#), or other applicable terms available either on ti.com or provided in conjunction with such TI products. TI's provision of these resources does not expand or otherwise alter TI's applicable warranties or warranty disclaimers for TI products. Unless TI explicitly designates a product as custom or customer-specified, TI products are standard, catalog, general purpose devices.

TI objects to and rejects any additional or different terms you may propose.

Copyright © 2026, Texas Instruments Incorporated

Last updated 10/2025