

SNx5173 Quadruple Differential Line Receivers

1 Features

- Meet or exceed the requirements of TIA/EIA-422-B, TIA/EIA-423-B, and TIA/EIA-485-A and ITU recommendations V.10, V.11, X.26, and X.27
- Designed for multipoint bus transmission on long bus lines in noisy environments
- 3-State outputs
- Common-mode input voltage range of -12 V to 12 V
- Input sensitivity: $\pm 200\text{ mV}$
- Input hysteresis: 50 mV typical
- High Input Impedance : $12\text{ k}\Omega$ minimum
- Operate from single 5-V supply
- Low power requirements
- Pin-to-pin replacement for AM26LS32

2 Applications

- Motor drives
- Factory automation and control

3 Description

The SN55173 and SN75173 are monolithic quadruple differential line receivers with 3-state outputs. They are designed to meet the requirements of TIA/EIA-422-B, TIA/EIA-423-B, TIA/EIA-485-A, and several ITU recommendations. The standards are for balanced multipoint bus transmission at rates up to

10 megabits per second. The four receivers share two OR enable inputs, one active when high, the other active when low. These devices feature high input impedance, input hysteresis for increased noise immunity, and input sensitivity of $\pm 200\text{ mV}$ over a common-mode input voltage range of -12 V to 12 V . Fail-safe design specifies that if the inputs are open circuited, the outputs are always high. The SN65173 and SN75173 are designed for optimum performance when used with the SN75172 or SN75174 quad differential line drivers.

The SN55173 is characterized over the full military temperature range of -55°C to 125°C . The SN75173 is characterized for operation from 0°C to 70°C .

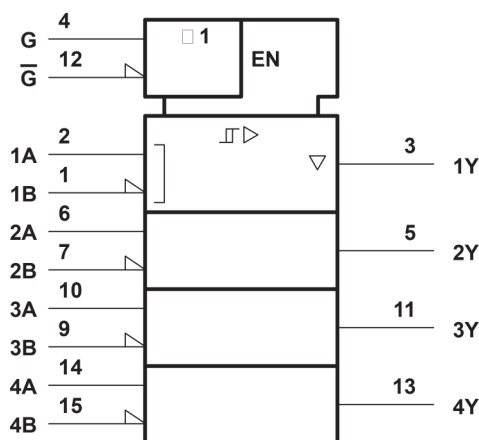
Package Information

PART NUMBER	PACKAGE ⁽¹⁾	PACKAGE SIZE ⁽²⁾
SN55173	J (CDIP, 16)	6.92 mm × 19.56 mm
	FK (LCCC, 20) ⁽³⁾	8.89 mm × 8.89 mm
SN75173	D (SOIC, 16)	9.9 mm × 6 mm
	N (PDIP, 16)	19.3 × 9.4 mm
	NS (SO, 16)	10.2 × 7.8 mm

(1) For more information, see [Section 11](#).

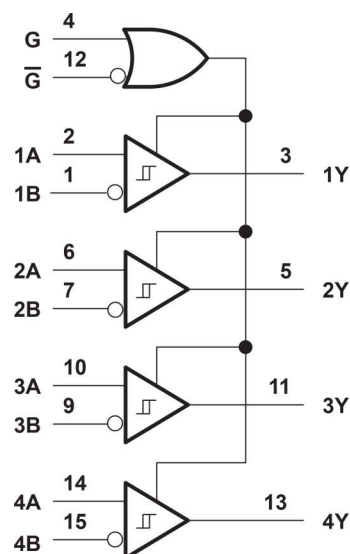
(2) The package size (length × width) is a nominal value and includes pins, where applicable.

(3) Not recommended for new designs.



- A. This symbol is in accordance with ANSI/IEEE Std 91-1984 and IEC Publication 617-12. Pin numbers shown are for the D, J, and N packages.
- B. Pin numbers shown are for the D, J, and N packages.

Logic Symbol



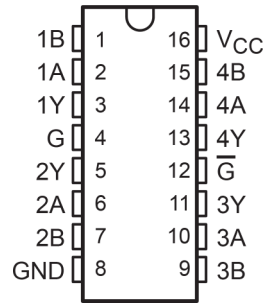
Logic Diagram (Positive Logic)



Table of Contents

1 Features	1	7 Detailed Description	12
2 Applications	1	7.1 Device Functional Modes.....	12
3 Description	1	8 Application and Implementation	13
4 Pin Configuration and Functions	3	8.1 Application Information.....	13
5 Specifications	5	9 Device and Documentation Support	14
5.1 Absolute Maximum Ratings.....	5	9.1 Receiving Notification of Documentation Updates....	14
5.2 Dissipation Rating Table.....	5	9.2 Support Resources.....	14
5.3 Recommended Operating Conditions.....	5	9.3 Trademarks.....	14
5.4 Thermal Information.....	6	9.4 Electrostatic Discharge Caution.....	14
5.5 Electrical Characteristics.....	6	9.5 Glossary.....	14
5.6 Switching Characteristics.....	7	10 Revision History	14
5.7 Typical Characteristics.....	8	11 Mechanical, Packaging, and Orderable Information	14
6 Parameter Measurement Information	10		

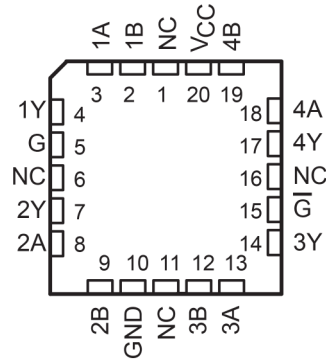
4 Pin Configuration and Functions



**Figure 4-1. SN55173: J Package
SN75173: D, N or NS Package
(Top View)**

Table 4-1. Pin Functions

PIN		TYPE#non e#	DESCRIPTION
NAME	NO.		
1B	1	I	Channel 1 Differential Receiver Inverting Input
1A	2	I	Channel 1 Differential Receiver Non-Inverting Input
1Y	3	O	Channel 1 Single Ended Output
G	4	I	Active High Enable
2Y	5	O	Channel 2 Single Ended Output
2A	6	I	Channel 2 Differential Receiver Non-Inverting Input
2B	7	I	Channel 2 Differential Receiver Inverting Input
GND	8	GND	Device GND
3B	9	I	Channel 3 Differential Receiver Inverting Input
3A	10	I	Channel 3 Differential Receiver Non-Inverting Input
3Y	11	O	Channel 3 Single Ended Output
\bar{G}	12	I	Active Low Enable
4Y	13	O	Channel 4 Single Ended Output
4A	14	I	Channel 4 Differential Receiver Non-Inverting Input
4B	15	I	Channel 4 Differential Receiver Inverting Input
V _{CC}	16	PWR	Device V _{CC} (4.75 V to 5.25 V)



NC—No internal connection

Figure 4-2. SN55173: FK Package (Top View)

A. The SN55173 FK package is not recommended for new designs.

Table 4-2. Pin Functions

PIN		TYPE ⁽¹⁾	DESCRIPTION
NAME	NO.		
NC	1, 6, 11, 16	--	No Connect
1B	2	I	Differential Receiver Inverting Input
1A	3	I	Differential Receiver Non-Inverting Input
1Y	4	O	Single Ended Output
G	5	I	Active High Enable
2Y	7	O	Single Ended Output
2A	8	I	Differential Receiver Non-Inverting Input
2B	9	I	Differential Receiver Inverting Input
GND	10	GND	Device GND
3B	12	I	Differential Receiver Inverting Input
3A	13	I	Differential Receiver Non-Inverting Input
3Y	14	O	Single Ended Output
Ḡ	15	I	Active Low Enable
4Y	17	O	Single Ended Output
4A	18	I	Differential Receiver Non-Inverting Input
4B	19	I	Receiver Inverting Input
V _{CC}	20	PWR	Device VCC

(1) Signal Types: I = Input, O = Output, I/O = Input or Output.

5 Specifications

5.1 Absolute Maximum Ratings

over operating free-air temperature range (unless otherwise noted)⁽¹⁾

		MIN	MAX	UNIT
V_{CC} ⁽²⁾	Supply voltage			V
V_I	Input voltage (A or B inputs)		± 25	V
V_{ID} ⁽³⁾	Differential input voltage		± 25	V
$V_{I(EN)}$	Enable input voltage			V
I_{OL}	Low-level output current		50	mA
	Continuous total dissipation	See Dissipation Rating Table		
	Lead temperature 1,6 mm (1/16 inch) from case for 60 seconds:	D or N package	260	°C
	Lead temperature 1,6 mm (1/16 inch) from case for 60 seconds:	J package	300	°C
T_{stg}	Storage temperature range	65	150	°C

- (1) Stresses beyond those listed under “absolute maximum ratings” may cause permanent damage to the device. These are stress ratings only, and functional operation of the device at these or any other conditions beyond those indicated under “recommended operating conditions” is not implied. Exposure to absolute-maximum-rated conditions for extended periods may affect device reliability.
- (2) All voltage values, except differential input voltage, are with respect to network ground terminal.
- (3) Differential input voltage is measured at the noninverting input with respect to the corresponding inverting input.

5.2 Dissipation Rating Table

PACKAGE	$T_A \leq 25^\circ\text{C}$ POWER RATING	DERATING FACTOR	$T_A = 70^\circ\text{C}$ POWER RATING	$T_A = 125^\circ\text{C}$ POWER RATING
FK	1375 mW	11 mW/°C	880 mW	275 mW
J	1375 mW	11 mW/°C	880 mW	275 mW

5.3 Recommended Operating Conditions

		MIN	NOM	MAX	UNIT
Supply voltage, V_{CC}	SN55173	4.5	5	5.5	V
	SN75173	4.75	5	5.25	V
Common-mode input voltage, V_{IC}				± 12	V
Differential input voltage, V_{ID}				± 12	V
High-level enable-input voltage, V_{IH}		2			V
Low-level enable-input voltage, V_{IL}				0.8	V
High-level output current, I_{OH}				– 400	µA
Low-level output current, I_{OL}				16	mA
Operating free-air temperature, T_A	SN55173	– 55		125	°C
	SN75173	0		70	

5.4 Thermal Information

THERMAL METRIC ⁽¹⁾		D (SOIC)	N (PDIP)	NS (SOP)	J (CDIP)	UNIT
		16-PINS				
$R_{\theta JA}$	Junction-to-ambient thermal resistance	84.6	60.6	88.5	65.6	°C/W
$R_{\theta JC(top)}$	Junction-to-case (top) thermal resistance	43.5	48.1	46.2	54.6	°C/W
$R_{\theta JB}$	Junction-to-board thermal resistance	43.2	40.6	50.7	42.1	°C/W
Ψ_{JT}	Junction-to-top characterization parameter	10.4	27.5	13.5	22.9	°C/W
Ψ_{JB}	Junction-to-board characterization parameter	42.8	40.3	50.3	41.6	°C/W
$R_{\theta JC(bot)}$	Junction-to-case (bottom) thermal resistance	n/a	n/a	n/a	n/a	°C/W

- (1) For more information about traditional and new thermal metrics, see the [Semiconductor and IC package thermal metrics](#) application report.

5.5 Electrical Characteristics

over recommended ranges of common-mode input voltage, supply voltage, and operating free-air temperature

PARAMETER		TEST CONDITIONS			MIN	TYP ⁽¹⁾	MAX	UNIT
VIT+	Positive-going input threshold voltage	$V_O = 2.7\text{ V}$,	$I_O = -0.4\text{ mA}$				0.2	V
VIT-	Negative-going input threshold voltage	$V_O = 0.5\text{ V}$,	$I_O = 16\text{ mA}$			-0.2 ⁽²⁾		V
Vhys	Hysteresis ($V_{IT+} - V_{IT-}$)	See Figure 5-1				50		mV
VIK	Enable-input clamp voltage	$I_I = -18\text{ mA}$					-1.5	V
VOH	High-level output voltage	$V_{ID} = 200\text{ mV}$,	$I_{OH} = -400\text{ }\mu\text{A}$	SN55173	2.5			V
				SN75173	2.7			V
VOL	Low-level output voltage	$V_{ID} = -200\text{ mV}$,	See Figure 6-1	$I_{OL} = 8\text{ mA}$			0.45	V
				$I_{OL} = 16\text{ mA}$			0.5	
IOZ	High-impedance-state output current	$V_O = 0.4\text{ V to }2.4\text{ V}$					± 20	μA
I_I	Line input current	Other input at 0 V,	See Note 3	$V_I = 12\text{ V}$			1	mA
				$V_I = -7\text{ V}$			-0.8	
IIH	High-level enable-input current	$V_{IH} = 2.7\text{ V}$					20	μA
IIL	Low-level enable-input current	$V_{IL} = 0.4\text{ V}$					-100	μA
r_i	Input resistance					12		k Ω
IOS	Short-circuit output current					-15	-85	mA
ICC	Supply current	Outputs disabled					70	mA

- (1) All typical values are at $V_{CC} = 5\text{ V}$, $T_A = 25^\circ\text{C}$.
(2) The algebraic convention, in which the less positive (more negative) limit is designated as minimum, is used in this data sheet for threshold voltage levels only.
(3) Refer to TIA/EIA-422-B and TIA/EIA-423-B for exact conditions.

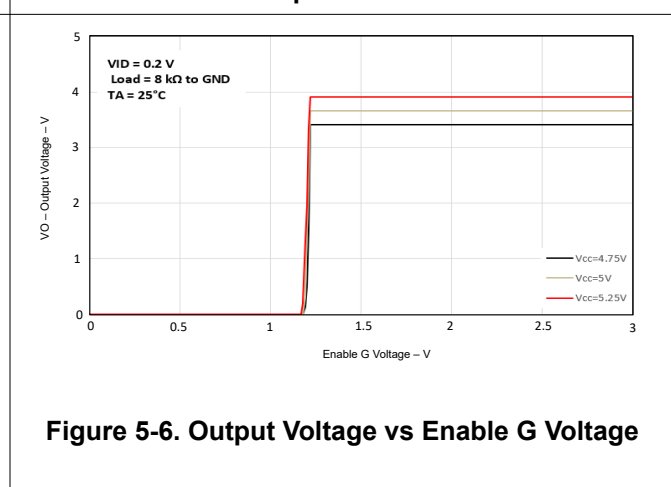
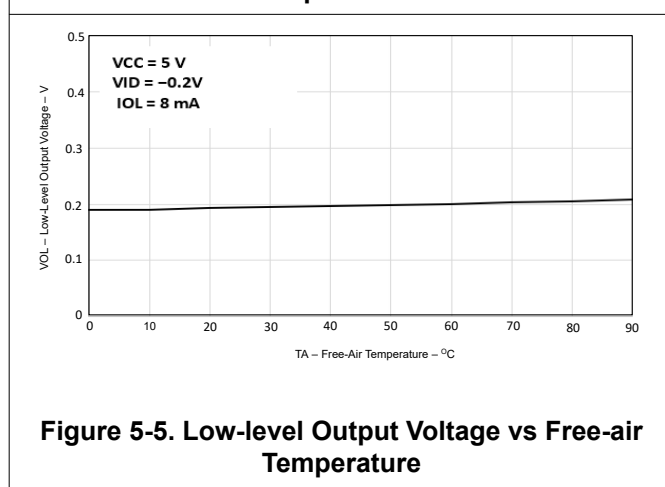
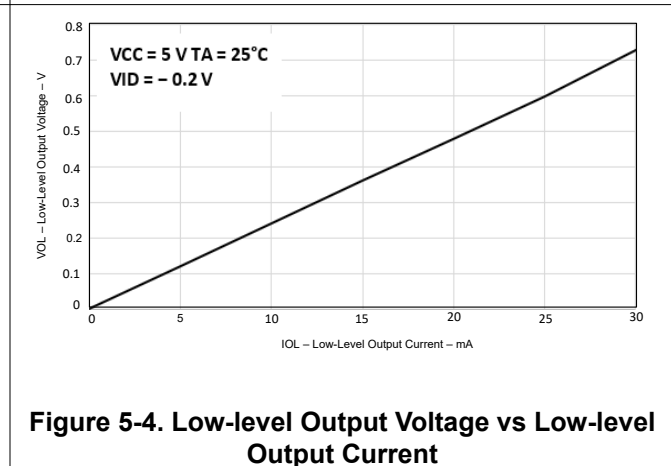
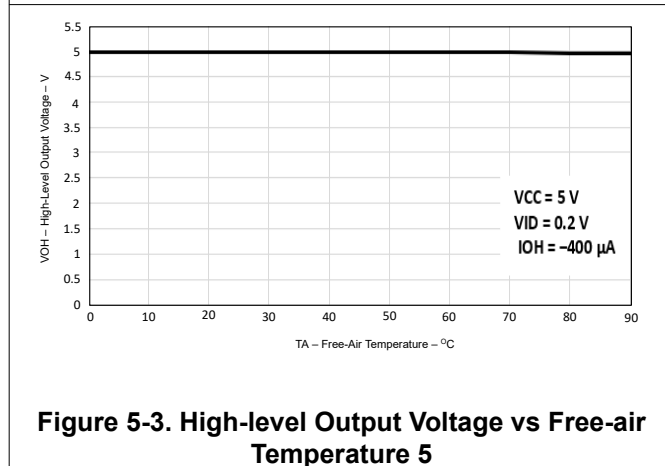
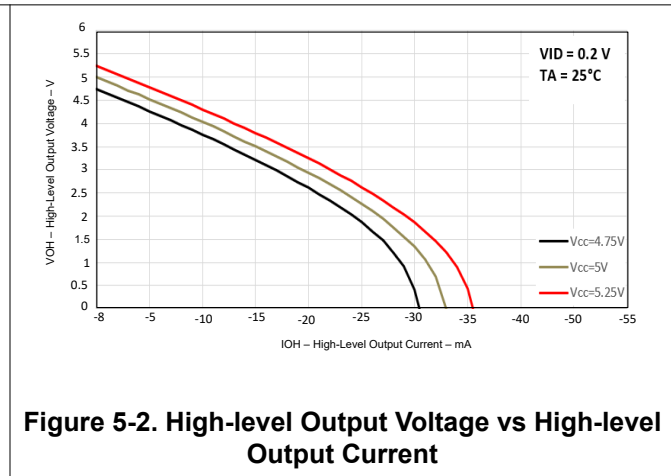
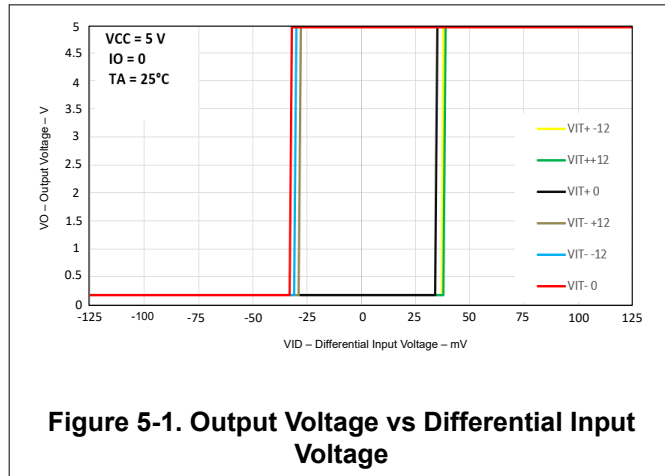
5.6 Switching Characteristics

 $V_{CC} = 5\text{ V}$, $T_A = 25^\circ\text{C}$

PARAMETER		TEST CONDITIONS	MIN	TYP	MAX	UNIT
t_{PLH}	Propagation delay time, low-to-high-level output	$V_{ID} = -1.5\text{ V to }1.5\text{ V}$, $C_L = 15\text{ pF}$, See Figure 6-1		20	35	ns
t_{PHL}	Propagation delay time, high-to-low-level output			22	35	ns
t_{PZH}	Output enable time to high level	$C_L = 15\text{ pF}$, See Figure 6-2		17	22	ns
t_{PZL}	Output enable time to low level	$C_L = 15\text{ pF}$, See Figure 6-3		20	25	ns
t_{PHZ}	Output disable time from high level	$C_L = 5\text{ pF}$, See Figure 6-2		21	30	ns
t_{PLZ}	Output disable time from low level	$C_L = 5\text{ pF}$, See Figure 6-3		30	40	ns

5.7 Typical Characteristics

Operation of the device at these or any other conditions beyond those indicated under “recommended operating conditions” is not implied.



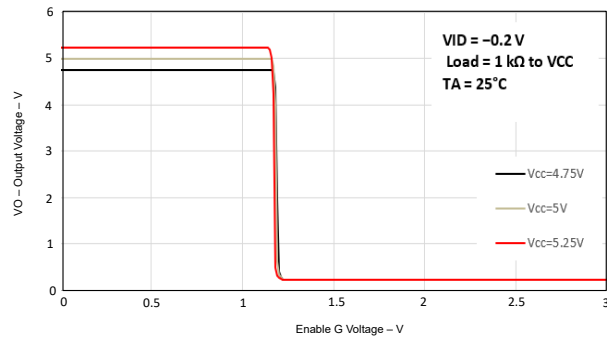


Figure 5-7. Output Voltage vs Enable G Voltage

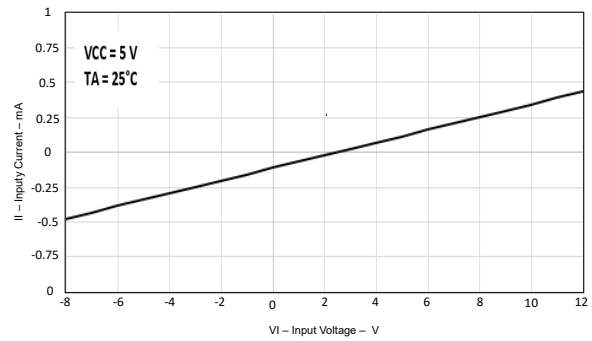
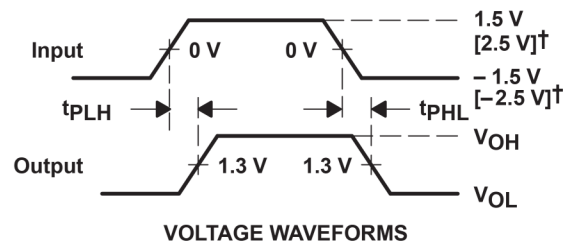
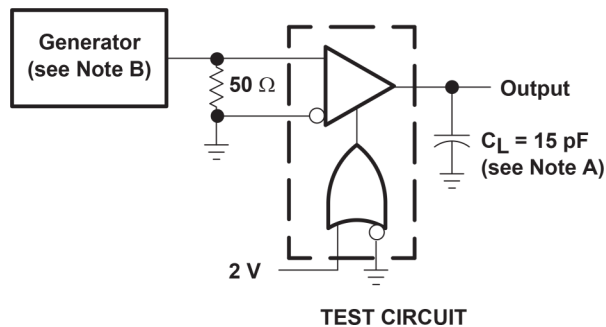


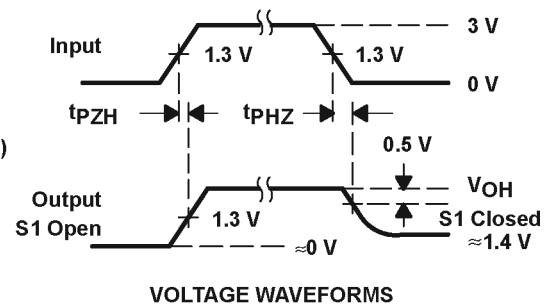
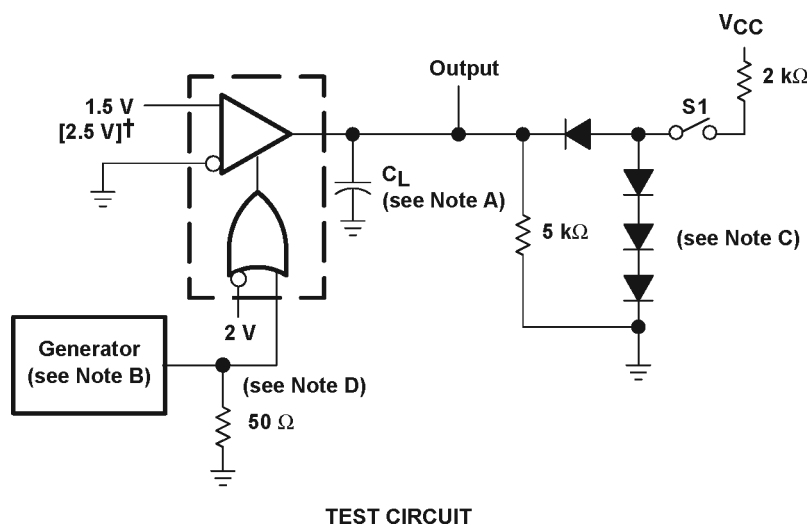
Figure 5-8. Input Current vs Input Voltage

6 Parameter Measurement Information



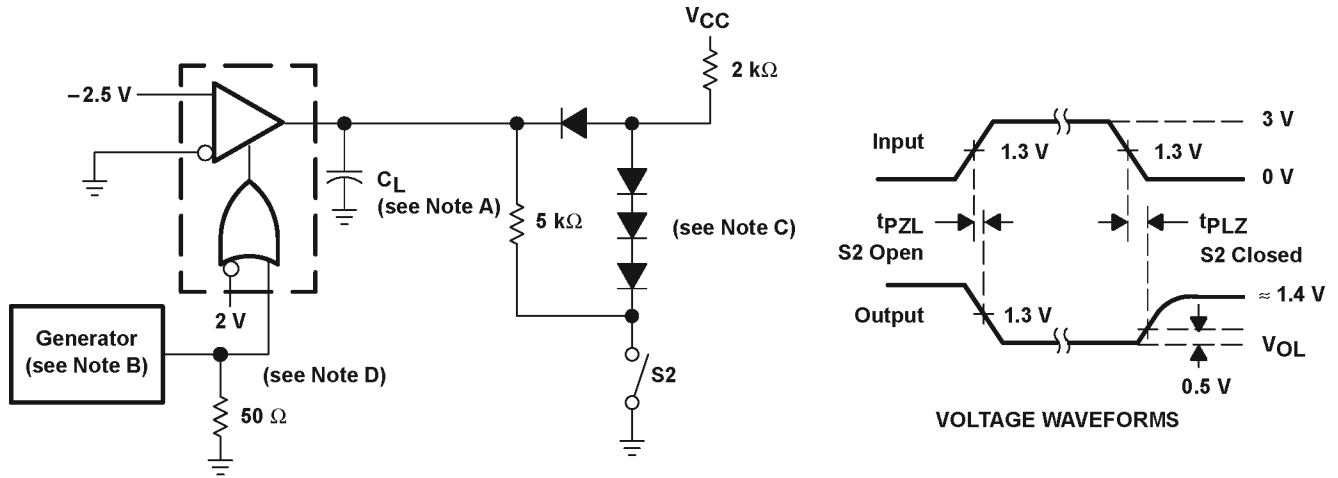
- A. † Voltage for the SN55173 only.
- B. C_L includes probe and jig capacitance.
- C. The input pulse is supplied by a generator having the following characteristics: PRR = 1 MHz, duty cycle = 50%, $t_r \leq 6$ ns, $t_f \leq 6$ ns, $Z_O = 50 \Omega$.

Figure 6-1. t_{PLH} , T_{PHL} Test Circuit and Voltage Waveforms



- A. C_L includes probe and jig capacitance.
- B. The input pulse is supplied by a generator having the following characteristics: PRR = 1 MHz, duty cycle = 50%, $t_r \leq 6$ ns, $t_f \leq 6$ ns, $Z_O = 50 \Omega$.
- C. All diodes are 1N916, or equivalent.
- D. To test the active-low enable \overline{G} , ground G and apply an inverted input waveform to G.

Figure 6-2. t_{PHZ} , T_{PZH} Test Circuit and Voltage Waveforms



TEST CIRCUIT

- A. C_L includes probe and jig capacitance.
- B. The input pulse is supplied by a generator having the following characteristics: PRR = 1 MHz, duty cycle = 50%, $t_r \leq 6$ ns, $t_f \leq 6$ ns, $Z_O = 50 \Omega$.
- C. All diodes are 1N916, or equivalent.
- D. To test the active-low enable G, ground G and apply an inverted input waveform to G.

Figure 6-3. t_{PZL} , T_{PLZ} Test Circuit and Voltage Waveforms

7 Detailed Description

7.1 Device Functional Modes

Table 7-1. Function Table (Each Receiver)

DIFFERENTIAL A-B	ENABLES ⁽¹⁾		OUTPUT Y
	G	\bar{G}	
$V_{ID} \geq 0.2\text{ V}$	H	X	H
	X	L	H
$-0.2\text{ V} < V_{ID} < 0.2\text{ V}$	H	XL	?
	X		?
$V_{ID} \leq -0.2\text{ V}$	H	X	L
	X	L	L
X	L	H	Z
Open circuit	X	L	H
	H	X	H

(1) H = high level, L = low level, ? = indeterminate, X = irrelevant, Z = high impedance (off)

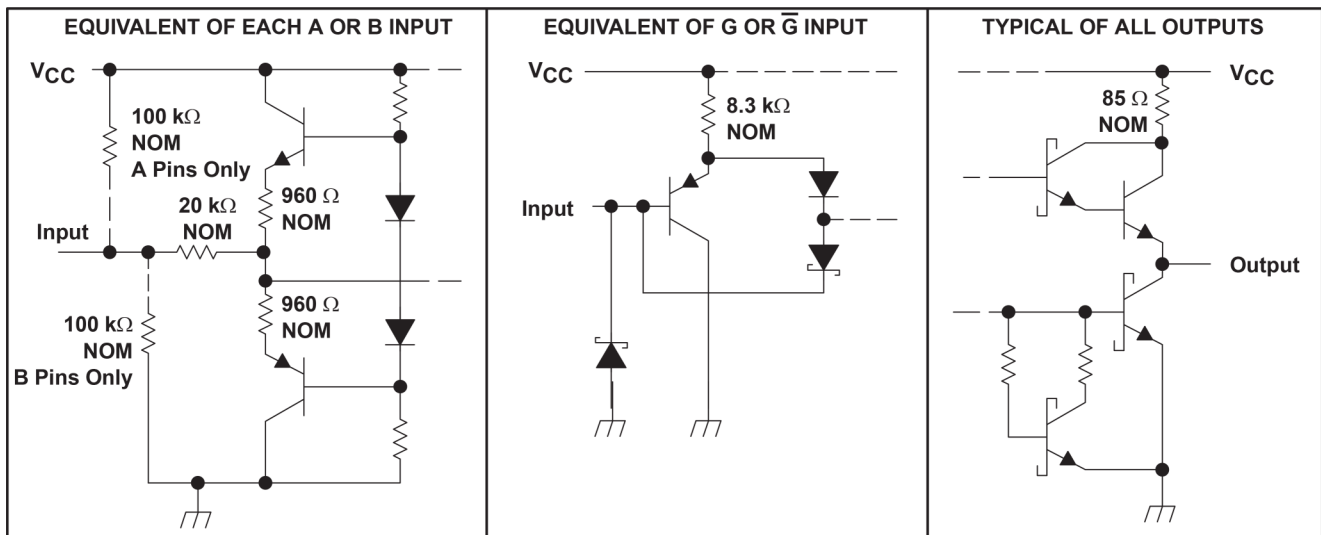


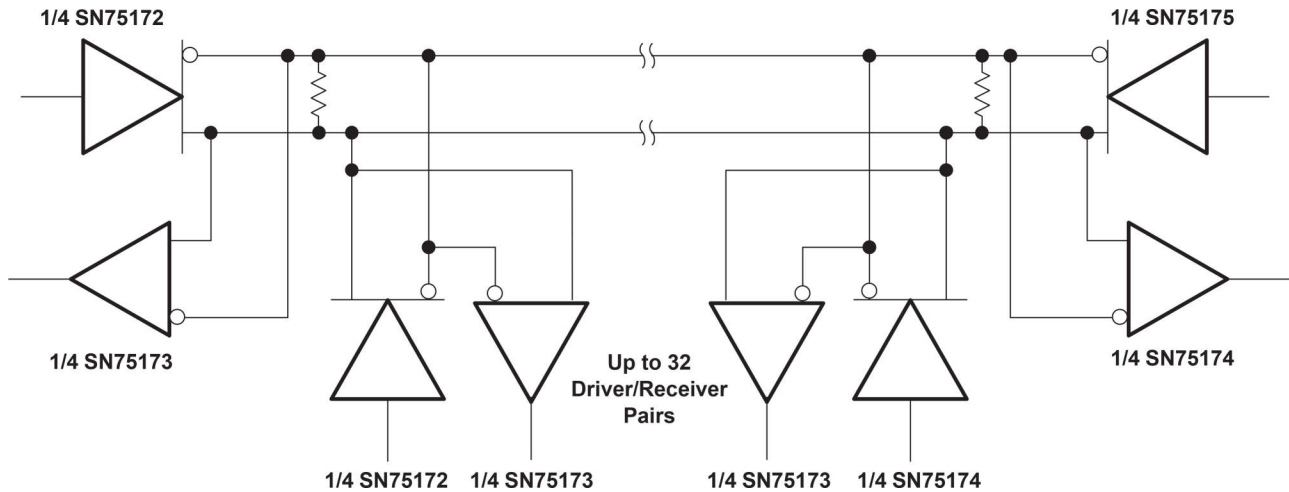
Figure 7-1. Schematics of Inputs and Outputs

8 Application and Implementation

Note

Information in the following applications sections is not part of the TI component specification, and TI does not warrant its accuracy or completeness. TI's customers are responsible for determining suitability of components for their purposes, as well as validating and testing their design implementation to confirm system functionality.

8.1 Application Information



- A. The line should be terminated at both ends in its characteristic impedance. Stub lengths off the main line should be kept as short as possible.

Figure 8-1. Typical Application Circuit

9 Device and Documentation Support

TI offers an extensive line of development tools. Tools and software to evaluate the performance of the device, generate code, and develop solutions are listed below.

9.1 Receiving Notification of Documentation Updates

To receive notification of documentation updates, navigate to the device product folder on ti.com. Click on *Subscribe to updates* to register and receive a weekly digest of any product information that has changed. For change details, review the revision history included in any revised document.

9.2 Support Resources

[TI E2E™ support forums](#) are an engineer's go-to source for fast, verified answers and design help — straight from the experts. Search existing answers or ask your own question to get the quick design help you need.

Linked content is provided "AS IS" by the respective contributors. They do not constitute TI specifications and do not necessarily reflect TI's views; see TI's [Terms of Use](#).

9.3 Trademarks

TI E2E™ is a trademark of Texas Instruments.

All trademarks are the property of their respective owners.

9.4 Electrostatic Discharge Caution



This integrated circuit can be damaged by ESD. Texas Instruments recommends that all integrated circuits be handled with appropriate precautions. Failure to observe proper handling and installation procedures can cause damage.

ESD damage can range from subtle performance degradation to complete device failure. Precision integrated circuits may be more susceptible to damage because very small parametric changes could cause the device not to meet its published specifications.

9.5 Glossary

[TI Glossary](#) This glossary lists and explains terms, acronyms, and definitions.

10 Revision History

NOTE: Page numbers for previous revisions may differ from page numbers in the current version.

Changes from Revision E (April 2000) to Revision F (October 2023)	Page
• Changed the numbering format for tables, figures, and cross-references throughout the document.....	1

11 Mechanical, Packaging, and Orderable Information

The following pages include mechanical, packaging, and orderable information. This information is the most current data available for the designated devices. This data is subject to change without notice and revision of this document. For browser-based versions of this data sheet, refer to the left-hand navigation.

PACKAGING INFORMATION

Orderable Device	Status (1)	Package Type	Package Drawing	Pins	Package Qty	Eco Plan (2)	Lead finish/ Ball material (6)	MSL Peak Temp (3)	Op Temp (°C)	Device Marking (4/5)	Samples
SN55173J	ACTIVE	CDIP	J	16	25	Non-RoHS & Green	SNPB	N / A for Pkg Type	-55 to 125	SN55173J	Samples
SN75173D	OBSOLETE	SOIC	D	16		TBD	Call TI	Call TI	0 to 70	SN75173	
SN75173DR	ACTIVE	SOIC	D	16	2500	RoHS & Green	NIPDAU	Level-1-260C-UNLIM	0 to 70	SN75173	Samples
SN75173N	ACTIVE	PDIP	N	16	25	RoHS & Green	NIPDAU	N / A for Pkg Type	0 to 70	SN75173N	Samples
SN75173NSR	ACTIVE	SOP	NS	16	2000	RoHS & Green	NIPDAU	Level-1-260C-UNLIM	0 to 70	SN75173	Samples
SNJ55173J	ACTIVE	CDIP	J	16	25	Non-RoHS & Green	SNPB	N / A for Pkg Type	-55 to 125	SNJ55173J	Samples

(1) The marketing status values are defined as follows:

ACTIVE: Product device recommended for new designs.

LIFEBUY: TI has announced that the device will be discontinued, and a lifetime-buy period is in effect.

NRND: Not recommended for new designs. Device is in production to support existing customers, but TI does not recommend using this part in a new design.

PREVIEW: Device has been announced but is not in production. Samples may or may not be available.

OBSOLETE: TI has discontinued the production of the device.

(2) **RoHS:** TI defines "RoHS" to mean semiconductor products that are compliant with the current EU RoHS requirements for all 10 RoHS substances, including the requirement that RoHS substance do not exceed 0.1% by weight in homogeneous materials. Where designed to be soldered at high temperatures, "RoHS" products are suitable for use in specified lead-free processes. TI may reference these types of products as "Pb-Free".

RoHS Exempt: TI defines "RoHS Exempt" to mean products that contain lead but are compliant with EU RoHS pursuant to a specific EU RoHS exemption.

Green: TI defines "Green" to mean the content of Chlorine (Cl) and Bromine (Br) based flame retardants meet JS709B low halogen requirements of <=1000ppm threshold. Antimony trioxide based flame retardants must also meet the <=1000ppm threshold requirement.

(3) MSL, Peak Temp. - The Moisture Sensitivity Level rating according to the JEDEC industry standard classifications, and peak solder temperature.

(4) There may be additional marking, which relates to the logo, the lot trace code information, or the environmental category on the device.

(5) Multiple Device Markings will be inside parentheses. Only one Device Marking contained in parentheses and separated by a "~" will appear on a device. If a line is indented then it is a continuation of the previous line and the two combined represent the entire Device Marking for that device.

(6) Lead finish/Ball material - Orderable Devices may have multiple material finish options. Finish options are separated by a vertical ruled line. Lead finish/Ball material values may wrap to two lines if the finish value exceeds the maximum column width.

Important Information and Disclaimer: The information provided on this page represents TI's knowledge and belief as of the date that it is provided. TI bases its knowledge and belief on information provided by third parties, and makes no representation or warranty as to the accuracy of such information. Efforts are underway to better integrate information from third parties. TI has taken and continues to take reasonable steps to provide representative and accurate information but may not have conducted destructive testing or chemical analysis on incoming materials and chemicals. TI and TI suppliers consider certain information to be proprietary, and thus CAS numbers and other limited information may not be available for release.

In no event shall TI's liability arising out of such information exceed the total purchase price of the TI part(s) at issue in this document sold by TI to Customer on an annual basis.

OTHER QUALIFIED VERSIONS OF SN55173, SN75173 :

- Catalog : [SN75173](#)
- Military : [SN55173](#)

NOTE: Qualified Version Definitions:

- Catalog - TI's standard catalog product
- Military - QML certified for Military and Defense Applications

TAPE AND REEL INFORMATION

QUADRANT ASSIGNMENTS FOR PIN 1 ORIENTATION IN TAPE


*All dimensions are nominal

Device	Package Type	Package Drawing	Pins	SPQ	Reel Diameter (mm)	Reel Width W1 (mm)	A0 (mm)	B0 (mm)	K0 (mm)	P1 (mm)	W (mm)	Pin1 Quadrant
SN75173DR	SOIC	D	16	2500	330.0	16.4	6.5	10.3	2.1	8.0	16.0	Q1
SN75173NSR	SOP	NS	16	2000	330.0	16.4	8.2	10.5	2.5	12.0	16.0	Q1

TAPE AND REEL BOX DIMENSIONS


*All dimensions are nominal

Device	Package Type	Package Drawing	Pins	SPQ	Length (mm)	Width (mm)	Height (mm)
SN75173DR	SOIC	D	16	2500	353.0	353.0	32.0
SN75173NSR	SOP	NS	16	2000	356.0	356.0	35.0

TUBE


*All dimensions are nominal

Device	Package Name	Package Type	Pins	SPQ	L (mm)	W (mm)	T (μm)	B (mm)
SN75173N	N	PDIP	16	25	506	13.97	11230	4.32

J (R-GDIP-T**)

14 LEADS SHOWN

CERAMIC DUAL IN-LINE PACKAGE



DIM \ PINS **	14	16	18	20
A	0.300 (7,62) BSC	0.300 (7,62) BSC	0.300 (7,62) BSC	0.300 (7,62) BSC
B MAX	0.785 (19,94)	.840 (21,34)	0.960 (24,38)	1.060 (26,92)
B MIN	—	—	—	—
C MAX	0.300 (7,62)	0.300 (7,62)	0.310 (7,87)	0.300 (7,62)
C MIN	0.245 (6,22)	0.245 (6,22)	0.220 (5,59)	0.245 (6,22)



4040083/F 03/03

- NOTES:
- All linear dimensions are in inches (millimeters).
 - This drawing is subject to change without notice.
 - This package is hermetically sealed with a ceramic lid using glass frit.
 - Index point is provided on cap for terminal identification only on press ceramic glass frit seal only.
 - Falls within MIL STD 1835 GDIP1-T14, GDIP1-T16, GDIP1-T18 and GDIP1-T20.

N (R-PDIP-T**)

PLASTIC DUAL-IN-LINE PACKAGE

16 PINS SHOWN



- NOTES:
- A. All linear dimensions are in inches (millimeters).
 - B. This drawing is subject to change without notice.
 - Falls within JEDEC MS-001, except 18 and 20 pin minimum body length (Dim A).
 - The 20 pin end lead shoulder width is a vendor option, either half or full width.



PACKAGE OUTLINE

NS0016A

SOP - 2.00 mm max height

SOP



NOTES:

1. All linear dimensions are in millimeters. Dimensions in parenthesis are for reference only. Dimensioning and tolerancing per ASME Y14.5M.
2. This drawing is subject to change without notice.
3. This dimension does not include mold flash, protrusions, or gate burrs. Mold flash, protrusions, or gate burrs shall not exceed 0.15 mm, per side.
4. This dimension does not include interlead flash. Interlead flash shall not exceed 0.25 mm, per side.

EXAMPLE BOARD LAYOUT

NS0016A

SOP - 2.00 mm max height

SOP



4220735/A 12/2021

NOTES: (continued)

5. Publication IPC-7351 may have alternate designs.

6. Solder mask tolerances between and around signal pads can vary based on board fabrication site.

EXAMPLE STENCIL DESIGN

NS0016A

SOP - 2.00 mm max height

SOP



SOLDER PASTE EXAMPLE
BASED ON 0.125 mm THICK STENCIL
SCALE:7X

4220735/A 12/2021

NOTES: (continued)

7. Laser cutting apertures with trapezoidal walls and rounded corners may offer better paste release. IPC-7525 may have alternate design recommendations.
8. Board assembly site may have different recommendations for stencil design.

D (R-PDSO-G16)

PLASTIC SMALL OUTLINE



- NOTES:
- A. All linear dimensions are in inches (millimeters).
 - B. This drawing is subject to change without notice.
 - C. Body length does not include mold flash, protrusions, or gate burrs. Mold flash, protrusions, or gate burrs shall not exceed 0.006 (0,15) each side.
 - D. Body width does not include interlead flash. Interlead flash shall not exceed 0.017 (0,43) each side.
 - E. Reference JEDEC MS-012 variation AC.

MECHANICAL DATA

NS (R-PDSO-G**)

PLASTIC SMALL-OUTLINE PACKAGE

14-PINS SHOWN



- NOTES:
- A. All linear dimensions are in millimeters.
 - B. This drawing is subject to change without notice.
 - C. Body dimensions do not include mold flash or protrusion, not to exceed 0,15.

IMPORTANT NOTICE AND DISCLAIMER

TI PROVIDES TECHNICAL AND RELIABILITY DATA (INCLUDING DATA SHEETS), DESIGN RESOURCES (INCLUDING REFERENCE DESIGNS), APPLICATION OR OTHER DESIGN ADVICE, WEB TOOLS, SAFETY INFORMATION, AND OTHER RESOURCES "AS IS" AND WITH ALL FAULTS, AND DISCLAIMS ALL WARRANTIES, EXPRESS AND IMPLIED, INCLUDING WITHOUT LIMITATION ANY IMPLIED WARRANTIES OF MERCHANTABILITY, FITNESS FOR A PARTICULAR PURPOSE OR NON-INFRINGEMENT OF THIRD PARTY INTELLECTUAL PROPERTY RIGHTS.

These resources are intended for skilled developers designing with TI products. You are solely responsible for (1) selecting the appropriate TI products for your application, (2) designing, validating and testing your application, and (3) ensuring your application meets applicable standards, and any other safety, security, regulatory or other requirements.

These resources are subject to change without notice. TI grants you permission to use these resources only for development of an application that uses the TI products described in the resource. Other reproduction and display of these resources is prohibited. No license is granted to any other TI intellectual property right or to any third party intellectual property right. TI disclaims responsibility for, and you will fully indemnify TI and its representatives against, any claims, damages, costs, losses, and liabilities arising out of your use of these resources.

TI's products are provided subject to [TI's Terms of Sale](#) or other applicable terms available either on [ti.com](https://www.ti.com) or provided in conjunction with such TI products. TI's provision of these resources does not expand or otherwise alter TI's applicable warranties or warranty disclaimers for TI products.

TI objects to and rejects any additional or different terms you may have proposed.

Mailing Address: Texas Instruments, Post Office Box 655303, Dallas, Texas 75265
Copyright © 2024, Texas Instruments Incorporated