

## 20-W Stereo Digital Audio Power Amplifier With Feedback

Check for Samples: [TAS5704](#)

### FEATURES

- **Audio Input/Output**
  - 20-W into an 8- $\Omega$  Load From an 18-V Supply
  - Two Serial Audio Inputs (Four Audio Channels)
  - Supports Multiple Output Configurations:
    - 2-Ch Bridged Outputs (20 W  $\times$  2)
    - 4-Ch Single-Ended Outputs (10 W  $\times$  4)
    - 2-Ch Single-Ended + 1-Ch Bridged (2.1) (10 W  $\times$  2 + 20 W)
- **Closed Loop Power Stage Architecture**
  - Improved PSRR Reduces Power Supply Performance Requirements
  - Higher Damping Factor Provides for Tighter, More Accurate Sound With Improved Bass Response
  - Lower EMC Emissions
  - Output Power is Independent of Supply Voltage Variation
- **Wide PVCC Range From (10 V to 26 V)**
- **Supports 32-kHz–192-kHz (DVD-Audio) Sample Rates (LJ/RJ/I<sup>2</sup>S)**
- **Line-Level Subwoofer PWM Outputs**
- **Audio/PWM Processing (Hardware Controlled)**
  - 4-Step Gain Control (-3dB, 3dB, 9dB, 12dB)
  - Soft Mute Control (50% Output Duty Cycle)
- **Factory-Trimmed Internal Oscillator Enables Automatic Detection of Incoming Sample Rates**

- **Thermal and Short-Circuit Protection**

### DESCRIPTION

The TAS5704 is a 20-W, efficient, digital audio power amplifier for driving stereo bridge-tied speakers. Two serial data inputs allow processing of up to four discrete audio channels and seamless integration to most digital audio processors accepting a wide range of input data and clock rates. A hardware configurable data path allows these channels to be routed to the internal speaker drivers or output via the subwoofer PWM outputs.

The TAS5704 is a slave-only device receiving all clocks from external sources. The TAS5704 operates at a 384-kHz switching rate for 32-, 48-, 96-, and 192-kHz data, and at a 352.8 kHz switching rate for 44.1-, 88.2-, and 176.4-kHz data. The 8 $\times$  oversampling combined with the fourth-order noise shaper provides a flat noise floor and excellent dynamic range from 20 Hz to 20 kHz.

The closed-loop architecture of the TAS5704 provides several benefits. The high power supply rejection enables superior audio performance from a noisy, low cost supply. The high damping factor allows tighter control over speaker movement resulting in an improved bass response. Finally, switching edge rate control lowers EMC emissions without sacrificing audio performance.



Please be aware that an important notice concerning availability, standard warranty, and use in critical applications of Texas Instruments semiconductor products and disclaimers thereto appears at the end of this data sheet.

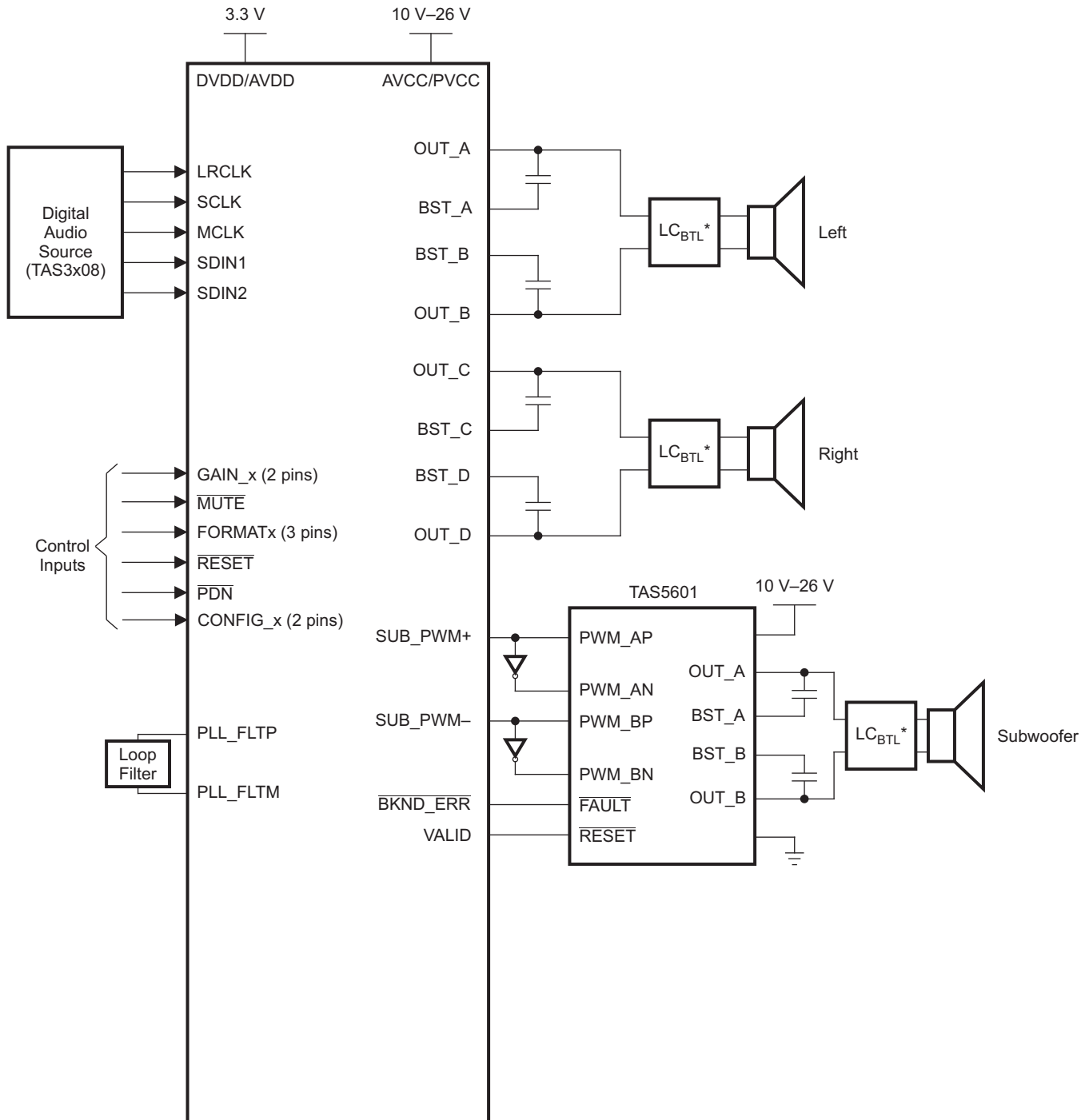
System Two, Audio Precision are trademarks of Audio Precision, Inc.



These devices have limited built-in ESD protection. The leads should be shorted together or the device placed in conductive foam during storage or handling to prevent electrostatic damage to the MOS gates.

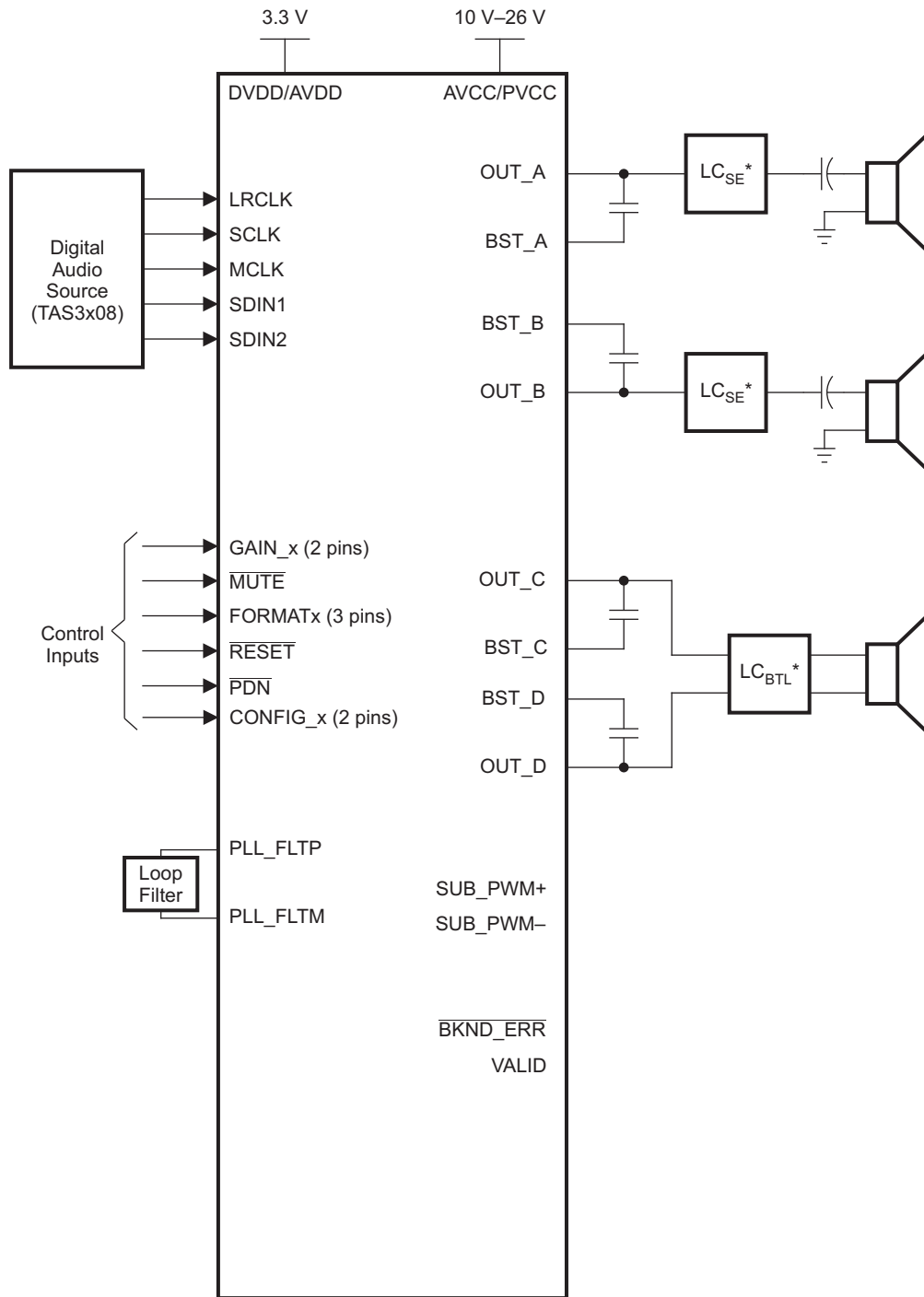
### SIMPLIFIED APPLICATION DIAGRAMS

#### Bridge-Tied Load (BTL) Mode



\* Refer to TI Application Note (SLOA119) on LC filter design for BTL (AD/BD mode) configuration.

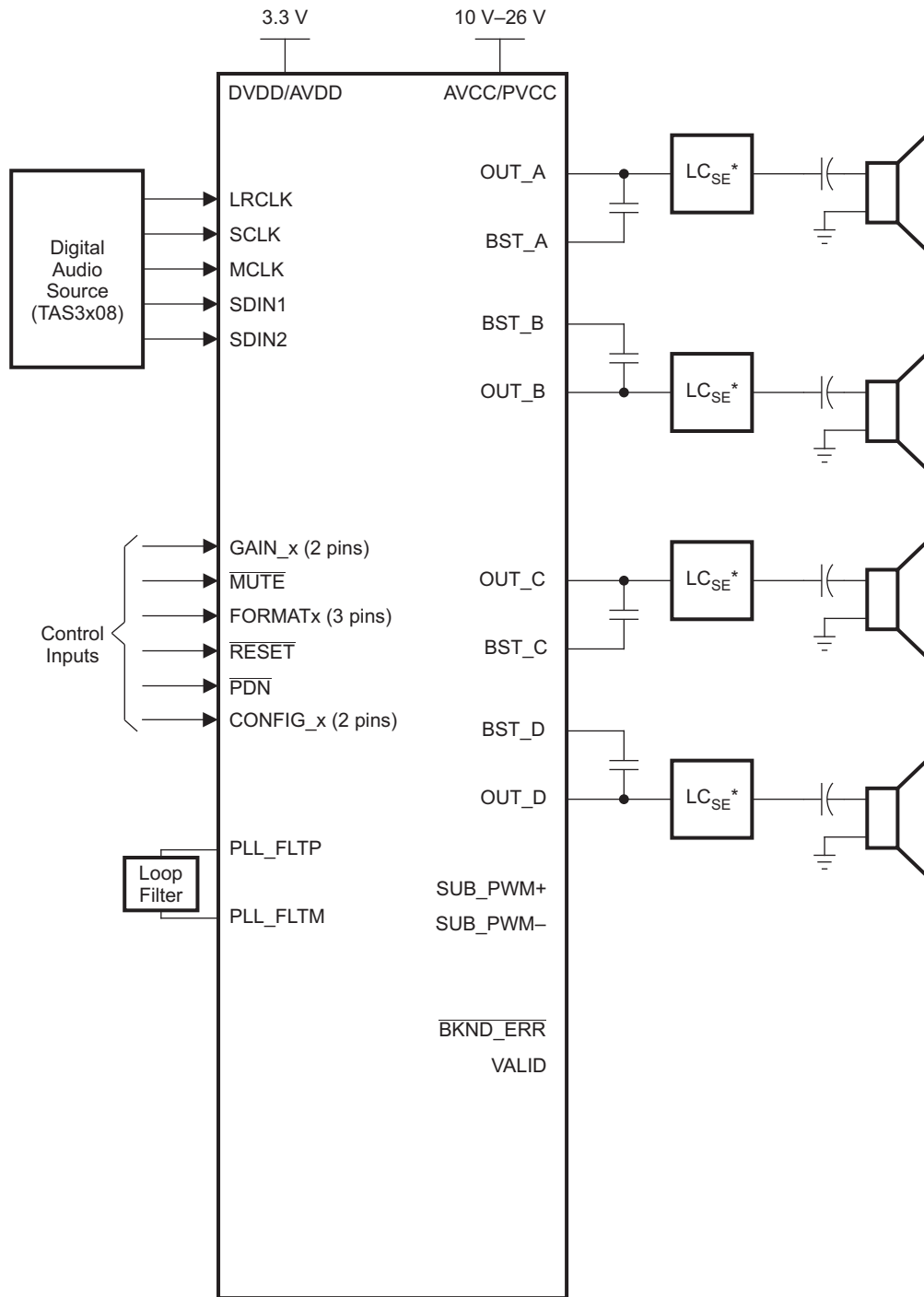
Single-Ended (SE) 2.1 Mode



\* Refer to TI Application Note (SLOA119) on LC filter design for SE or BTL configuration.

B0264-05

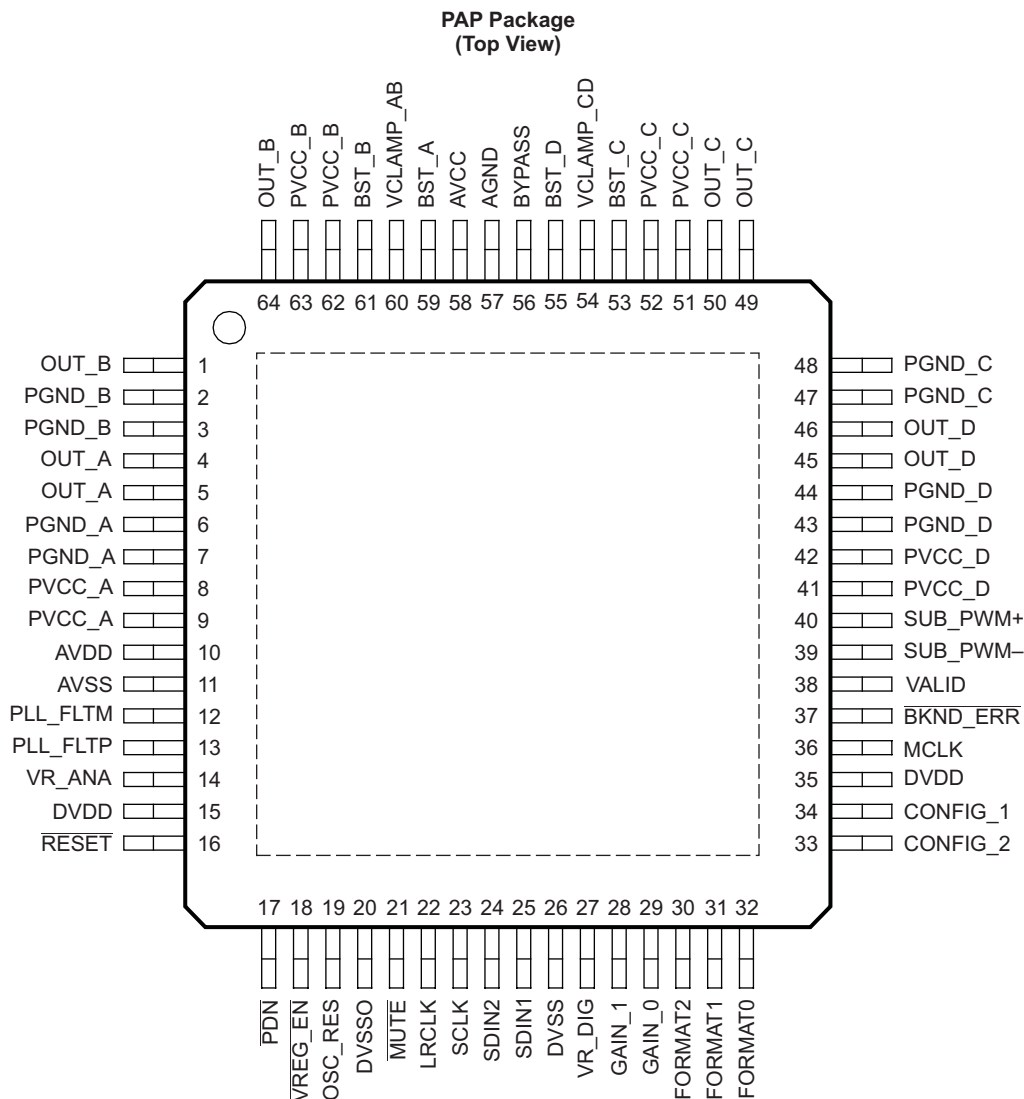
**Single-Ended (SE) 4.0 Mode**



\* Refer to TI Application Note (SLOA119) on LC filter design for SE configuration.

B0264-04

64-PIN, HTQFP PACKAGE



P0071-02

PIN FUNCTIONS

PIN		TYPE (1)	5-V TOLERANT	TERMINATION (2)	DESCRIPTION
NAME	NO.				
AGND	57	P			Analog ground for power stage
AVCC	58	P			Analog power supply for power stage. Connect externally to same potential as PVCC.
AVDD	10	P			3.3-V analog power supply
AVSS	11	P			3.3-V analog supply ground
BKND_ERR	37	DI		Pullup	Active low. A back-end error sequence is initiated by applying a logic low to this pin. Connect to an external power stage. If no external power stage is used, connect directly to DVDD.
BST_A	59	P			High-side bootstrap supply for half-bridge A

(1) TYPE: A = analog; D = 3.3-V digital; P = power/ground/decoupling; I = input; O = output

(2) All pullups are 20-μA weak pullups and all pulldowns are 20-μA weak pulldowns. The pullups and pulldowns are included to assure proper input logic levels if the terminals are left unconnected (pullups → logic 1 input; pulldowns → logic 0 input). Devices that drive inputs with pullups must be able to sink 50 μA while maintaining a logic-0 drive level. Devices that drive inputs with pulldowns must be able to source 50 μA while maintaining a logic-1 drive level.

**PIN FUNCTIONS (continued)**

PIN		TYPE (1)	5-V TOLERANT	TERMINATION (2)	DESCRIPTION
NAME	NO.				
BST_B	61	P			High-side bootstrap supply for half-bridge B
BST_C	53	P			High-side bootstrap supply for half-bridge C
BST_D	55	P			High-side bootstrap supply for half-bridge D
BYPASS	56	O			Nominally equal to $V_{CC}/8$ . Internal reference voltage for analog cells
CONFIG_1	34	P		Pulldown	Input/output configuration.
CONFIG_2	33	P		Pulldown	Input/output configuration.
DVDD	15, 35	P			3.3-V digital power supply
DVSS	26	P			Digital ground
DVSSO	20	P			Oscillator ground
FORMAT0	32	DI		Pulldown	Digital data format select.
FORMAT1	31	DI		Pulldown	Digital data format select.
FORMAT2	30	DI			Digital data format select.
GAIN_0	29	DI			LSB of gain select. GAIN_0 and GAIN_1 allow 4 possible gain selections.
GAIN_1	28	DI			MSB of gain select. GAIN_0 and GAIN_1 allow 4 possible gain selections.
LRCLK	22	DI	5-V		Input serial audio data left/right clock (sampling rate clock)
MCLK	36	DI	5-V		Master clock input. The input frequency of this clock can range from 4.9 MHz to 49.2 MHz.
$\overline{\text{MUTE}}$	21	DI	5-V	Pullup	Performs a soft mute of outputs, active-low. A logic low on this terminal sets the outputs equal to 50% duty cycle. A logic high on this terminal allows normal operation. The mute control provides a noiseless volume ramp to silence. Releasing mute provides a noiseless ramp to previous volume.
OSC_RES	19	AO			Oscillator trim resistor. Connect an 18.2-k $\Omega$ resistor to DVSSO.
OUT_A	4, 5	O			Output, half-bridge A
OUT_B	1, 64	O			Output, half-bridge B
OUT_C	49, 50	O			Output, half-bridge C
OUT_D	45, 46	O			Output, half-bridge D
$\overline{\text{PDN}}$	17	DI	5-V	Pullup	Power down, active-low. $\overline{\text{PDN}}$ stops all clocks and outputs stop switching. When $\overline{\text{PDN}}$ is released, the device powers up all logic, starts all clocks, and performs a soft start that returns to the previous configuration. Changes to CONFIG_x, FORMATx, and GAIN_x pins are ignored on PDN cycling.
PGND_A	6, 7	P			Power ground for half-bridge A
PGND_B	2, 3	P			Power ground for half-bridge B
PGND_C	47, 48	P			Power ground for half-bridge C
PGND_D	43, 44	P			Power ground for half-bridge D
PLL_FLTM	12	AO			PLL negative loop filter terminal
PLL_FLTP	13	AO			PLL positive loop filter terminal
PVCC_A	8, 9	P			Power supply input for half-bridge output A
PVCC_B	62, 63	P			Power supply input for half-bridge output B
PVCC_C	51, 52	P			Power supply input for half-bridge output C
PVCC_D	41, 42	P			Power supply input for half-bridge output D

**PIN FUNCTIONS (continued)**

PIN		TYPE (1)	5-V TOLERANT	TERMINATION (2)	DESCRIPTION
NAME	NO.				
RESET	16	DI	5-V	Pullup	Reset, active-low. A system reset is generated by applying a logic low to this terminal. RESET is an asynchronous control signal that sets the VALID outputs low, and places the PWM in the hard-mute state (stops switching). Gain is immediately set to full attenuation. Upon the release of RESET, if PDN is high, the system performs a 4- to 5-ms device initialization and sets the gain, output configuration, and format to the settings determined by the hardware pins.
SCLK	23	DI	5-V		Serial audio data clock (shift clock). SCLK is the serial audio port input data bit clock.
SDIN1	25	DI	5-V		Serial audio data-1 input is one of the serial data input ports. SDIN1 supports three discrete (stereo) data formats.
SDIN2	24	DI	5-V		Serial audio data-2 input is one of the serial data input ports. SDIN2 supports three discrete (stereo) data formats.
SUB_PWM-	39	DO			Subwoofer negative PWM output
SUB_PWM+	40	DO			Subwoofer positive PWM output
VALID	38	DO			Output indicating validity of all PWM channels, active high. Connect this pin to an external power stage or leave floating.
VCLAMP_AB	60	P			Internally generated voltage supply for channels A and B gate drive. Not to be used as a supply or connected to any component other than the decoupling capacitor
VCLAMP_CD	54	P			Internally generated voltage supply for channels C and D gate drive. Not to be used as a supply or connected to any component other than the decoupling capacitor
VR_ANA	14	P			Internally regulated 1.8-V analog supply voltage. This terminal must not be used to power external devices.
VR_DIG	27	P			Internally regulated 1.8-V digital supply voltage. This terminal must not be used to power external devices.
VREG_EN	18	DI		Pulldown	Voltage regulator enable. Connect directly to GND.

**ABSOLUTE MAXIMUM RATINGS**

over operating free-air temperature range (unless otherwise noted) <sup>(1)</sup>

		VALUE	UNIT
Supply voltage	DVDD, AVDD	-0.3 to 3.6	V
	PVCC_X	-0.3 to 30	V
Input voltage	3.3-V digital input	-0.5 to DVDD + 0.5	V
	5-V tolerant <sup>(2)</sup> digital input	-0.5 to 6	V
Input clamp current, I <sub>IK</sub> (V <sub>I</sub> < 0 or V <sub>I</sub> > 1.8 V)		±20	mA
Output clamp current, I <sub>OK</sub> (V <sub>O</sub> < 0 or V <sub>O</sub> > 1.8 V)		±20	mA
Operating free-air temperature		0 to 85	°C
Operating junction temperature range		0 to 150	°C
Storage temperature range, T <sub>stg</sub>		-40 to 125	°C

- (1) Stresses beyond those listed under *absolute ratings* may cause permanent damage to the device. These are stress ratings only and functional operation of the device at these or any other conditions beyond those indicated under *recommended operation conditions* are not implied. Exposure to absolute-maximum conditions for extended periods may affect device reliability.
- (2) 5-V tolerant inputs are PDN, RESET, MUTE, SCLK, LRCLK, MCLK, SDIN1, and SDIN2.

## THERMAL INFORMATION

THERMAL METRIC <sup>(1)(2)</sup>		TAS5704		UNITS
		PAP (64 PINS)		
$\theta_{JA}$	Junction-to-ambient thermal resistance	27		°C/W
$\theta_{JCTop}$	Junction-to-case (top) thermal resistance	15.6		
$\theta_{JB}$	Junction-to-board thermal resistance	12.6		
$\psi_{JT}$	Junction-to-top characterization parameter	0.2		
$\psi_{JB}$	Junction-to-board characterization parameter	7.8		
$\theta_{JCbott}$	Junction-to-case (bottom) thermal resistance	0.8		

(1) For more information about traditional and new thermal metrics, see the *IC Package Thermal Metrics* application report, [SPRA953](#).

(2) For thermal estimates of this device based on PCB copper area, see the [TI PCB Thermal Calculator](#).

## RECOMMENDED OPERATING CONDITIONS

over operating free-air temperature range (unless otherwise noted)

		MIN	NOM	MAX	UNIT	
	Digital/analog supply voltage	DVDD	3	3.3	3.6	V
	Half-bridge supply voltage	PVCC_xx	10		26	V
$V_{IH}$	High-level input voltage	3.3-V TTL, 5-V tolerant			2	V
$V_{IL}$	Low-level input voltage	3.3-V TTL, 5-V tolerant			0.8	V
$T_A$	Operating ambient temperature range	0		85	°C	
$T_J$	Operating junction temperature range	0		150	°C	
$R_L$ (BTL)	Load impedance	Output filter: L = 22 $\mu$ H, C = 680 nF.	6.0	8		$\Omega$
$R_L$ (SE)			3.2	4		
$R_L$ (PBTL)			3.2	4		
$L_O$ (BTL)	Output-filter inductance	Minimum output inductance under short-circuit condition	10			$\mu$ H
$L_O$ (SE)			10			
$L_O$ (PBTL)			10			

## PWM OPERATION AT RECOMMENDED OPERATING CONDITIONS

PARAMETER	TEST CONDITIONS	MODE	VALUE	UNITS
Output sample rate 2x–1x oversampled	32-kHz data rate $\pm 2\%$	12x sample rate	384	kHz
	44.1-, 88.2-, 176.4-kHz data rate $\pm 2\%$	8x, 4x, and 2x sample rates	352.8	kHz
	48-, 96-, 192-kHz data rate $\pm 2\%$	8x, 4x, and 2x sample rates	384	kHz

## PLL INPUT PARAMETERS AND EXTERNAL FILTER COMPONENTS

PARAMETER		TEST CONDITIONS	MIN	TYP	MAX	UNIT
$f_{MCLKI}$	Frequency, MCLK (1 / $t_{cyc2}$ )		4.9		49.2	MHz
	MCLK duty cycle		40%	50%	60%	
	MCLK minimum high time	$\geq 2$ -V MCLK = 49.152 MHz, within the min and max duty cycle constraints	8			ns
	MCLK minimum low time	$\leq 0.8$ -V MCLK = 49.152 MHz, within the min and max duty cycle constraints	8			ns
	LRCLK allowable drift before LRCLK reset				4	MCLKs
	External PLL filter capacitor C1	SMD 0603 Y5V		47		nF
	External PLL filter capacitor C2	SMD 0603 Y5V		4.7		nF
	External PLL filter resistor R	SMD 0603, metal film		470		$\Omega$



## ELECTRICAL CHARACTERISTICS

 DC Characteristics,  $T_A = 25^\circ\text{C}$ ,  $PVCC\_X$ ,  $AVCC = 18\text{ V}$ ,  $DVDD = AVDD = 3.3\text{ V}$ ,  $R_L = 8\ \Omega$  (unless otherwise noted)

PARAMETER			TEST CONDITIONS	MIN	TYP	MAX	UNIT
$V_{OH}$	High-level output voltage	3.3-V TTL and 5-V tolerant <sup>(1)</sup>	$I_{OH} = -4\text{ mA}$	2.4			V
$V_{OL}$	Low-level output voltage	3.3-V TTL and 5-V tolerant <sup>(1)</sup>	$I_{OL} = 4\text{ mA}$			0.5	V
$ VOS $	Class-D output offset voltage			$\pm 26$			mV
$V_{BYPASS}$	PVCC/8 reference for analog section		No load	2.2	2.26	2.3	V
$I_{IL}$	Low-level input current	LRCLK, SCLK, SDIN <sub>x</sub> , MCLK, GAIN <sub>x</sub> , VREG_EN, FORMAT <sub>x</sub> , CONFIG <sub>x</sub>	$V_I = 0\text{ V}$ , DVDD = 3.6 V			$\pm 2$	$\mu\text{A}$
		BKND_ERR, RESET, PDN, MUTE	$V_I = 0\text{ V}$ , DVDD = 3.6 V			$\pm 50$	
$I_{IH}$	High-level input current	RESET, PDN, MUTE, GAIN <sub>x</sub> , BKND_ERR	$V_I = 3.6\text{ V}$ , DVDD = 3.6 V			$\pm 2$	$\mu\text{A}$
		VREG_EN, FORMAT <sub>x</sub> , CONFIG <sub>x</sub> , LRCLK, SCLK, SDIN <sub>x</sub> , MCLK	$V_I = 3.6\text{ V}$ , DVDD = 3.6 V			$\pm 50$	
		RESET, PDN, MUTE, LRCLK, SCLK, SDIN <sub>x</sub> , MCLK, GAIN <sub>x</sub>	$V_I = 5.5\text{ V}$ , DVDD = 3.6 V			$\pm 50$	
$I_{DD}$	Digital supply current	Supply voltage (DVDD, AVDD)	Normal mode		65	80	mA
			Power down (PDN $\bar{Z}$ = LOW)		8	16	
			Reset (RESET = LOW)		23	33	
$I_{CC}$	Quiescent supply current		No load	14	33	57	mA
$I_{CC}(\overline{\text{RESET}})$	Quiescent supply current in reset mode		No load		58	176	$\mu\text{A}$
$I_{CC}(\overline{\text{PDN}})$	Quiescent supply current in power down mode		No load		58	176	$\mu\text{A}$
PSRR	DC power-supply rejection ratio		PVCC = 17.5 V to 18.5 V		60		dB
$R_{DS(on)}$	Drain-source on-state resistance, high-side		$V_{CC} = 18\text{ V}$ , $I_O = 500\text{ mA}$ , $T_J = 25^\circ\text{C}$		240		m $\Omega$
	Low-side				240		
	Total				480	850	
$t_{ON}$	Turnon time (SE mode) (CONFIG <sub>2</sub> = 0)		$C_{(BYPASS)} = 1\ \mu\text{F}$ , Time required for the BYPASS pin to reach its final value		500		ms
	Turnon time (BTL mode) (CONFIG <sub>2</sub> = 1)				30		
$t_{OFF}$	Turnoff time (SE mode) (CONFIG <sub>2</sub> = 0) <sup>(2)</sup>				500		ms
	Turnoff time (BTL mode) (CONFIG <sub>2</sub> = 0) <sup>(2)</sup>				30		

(1) 5-V tolerant pins are  $\overline{\text{PDN}}$ ,  $\overline{\text{RESET}}$ ,  $\overline{\text{MUTE}}$ , SCLK, LRCLK, MCLK, SDIN1, and SDIN2.

(2) For *pop-free* power-off (PVDD = 0 V), it is recommended that  $\overline{\text{PDN}}$  be cycled low for at least this period of time before PVDD drops below 10 V and DVDD drops below 3 V.

**AC Characteristics,  $T_A = 25^\circ\text{C}$ , PVCC\_X, AVCC = 18 V, AVDD, DVDD = 3.3 V,  $R_L = 8 \Omega$  (unless otherwise noted)<sup>(1)</sup>**

PARAMETER		TEST CONDITIONS	MIN	TYP	MAX	UNIT
KSVR	Supply ripple rejection	100-mV <sub>pp</sub> ripple at 20 Hz–20 kHz, BTL, 50% duty cycle PWM		–60		dB
P <sub>O</sub>	Continuous output power	BTL ( $R_L = 8 \Omega$ , THD+N = 10%, $f = 1 \text{ kHz}$ , PVCC = 18 V)		20.6		W
		BTL ( $R_L = 8 \Omega$ , THD+N = 7%, $f = 1 \text{ kHz}$ , PVCC = 18 V)		19.3		W
		SE ( $R_L = 4 \Omega$ , THD+N = 10%, $f = 1 \text{ kHz}$ , PVCC = 24 V)		18.1		W
		SE ( $R_L = 4 \Omega$ , THD+N = 7%, $f = 1 \text{ kHz}$ , PVCC = 24 V)		17.3		W
THD+N	Total harmonic distortion + noise (SE)	$V_{CC} = 24 \text{ V}$ , $R_L = 4 \Omega$ , $f = 1 \text{ kHz}$ , $P_O = 10 \text{ W}$ (half-power)		0.08%		
	Total harmonic distortion + noise (BTL)	$V_{CC} = 18 \text{ V}$ , $R_L = 8 \Omega$ , $f = 1 \text{ kHz}$ , $P_O = 10 \text{ W}$ (half-power)		0.05%		
V <sub>n</sub>	Output integrated noise	20 Hz to 22 kHz (BD mode)		89		$\mu\text{V}$
		A-weighted filter; $\overline{\text{MUTE}} = \text{LOW}$		–81		dBV
Crosstalk		$P_O = 1 \text{ W}$ , $f = 1 \text{ kHz}$		–69		dB
SNR	Signal-to-noise ratio	Maximum output at THD+N < 1%, $f = 1 \text{ kHz}$ , A-weighted		100		dB
	Thermal trip point (output shutdown, unlatched fault)			150		$^\circ\text{C}$
	Thermal hysteresis			15		$^\circ\text{C}$

(1) All measurement in AD mode (unless otherwise noted).

**AC Characteristics,  $T_A = 25^\circ\text{C}$ , PVCC\_X, AVCC = 12 V, AVDD, DVDD = 3.3 V,  $R_L = 8 \Omega$  (unless otherwise noted)<sup>(1)</sup>**

PARAMETER		TEST CONDITIONS	MIN	TYP	MAX	UNIT
KSVR	Supply ripple rejection	100-mV <sub>pp</sub> ripple at 20 Hz–20 kHz, BTL, 50% duty cycle PWM		–60		dB
P <sub>O</sub>	Continuous output power	BTL ( $R_L = 8 \Omega$ , THD+N = 10%, $f = 1 \text{ kHz}$ )		9.2		W
		BTL ( $R_L = 8 \Omega$ , THD+N = 7%, $f = 1 \text{ kHz}$ )		8.7		W
		SE ( $R_L = 4 \Omega$ , THD+N = 10%, $f = 1 \text{ kHz}$ )		4.5		W
		SE ( $R_L = 4 \Omega$ , THD+N = 7%, $f = 1 \text{ kHz}$ )		4.2		W
THD+N	Total harmonic distortion + noise (BTL)	$V_{CC} = 12 \text{ V}$ , $R_L = 8 \Omega$ , $f = 1 \text{ kHz}$ , $P_O = 5 \text{ W}$ (half-power)		0.07%		
V <sub>n</sub>	Output integrated noise	20 Hz to 22 kHz (BD mode)		89		$\mu\text{V}$
		A-weighted filter		–81		dBV
Crosstalk		$P_O = 1 \text{ W}$ , $f = 1 \text{ kHz}$		–75		dB
SNR	Signal-to-noise ratio	Maximum output at THD+N < 1%, $f = 1 \text{ kHz}$ , A-weighted		96		dB
	Thermal trip point (output shutdown, unlatched fault)			150		$^\circ\text{C}$
	Thermal hysteresis			15		$^\circ\text{C}$

(1) All measurement in AD mode (unless otherwise noted).

### SERIAL AUDIO PORTS SLAVE MODE

over recommended operating conditions (unless otherwise noted)

PARAMETER	TEST CONDITIONS	MIN	TYP	MAX	UNIT
$f_{SCLKIN}$ Frequency, SCLK $32 \times f_S$ , $48 \times f_S$ , $64 \times f_S$	$C_L = 30$ pF	1.024		12.288	MHz
$t_{su1}$ Setup time, LRCLK to SCLK rising edge		10			ns
$t_{h1}$ Hold time, LRCLK from SCLK rising edge		10			ns
$t_{su2}$ Setup time, SDIN to SCLK rising edge		10			ns
$t_{h2}$ Hold time, SDIN from SCLK rising edge		10			ns
LRCLK frequency		32	48	192	kHz
SCLK duty cycle		40%	50%	60%	
LRCLK duty cycle		40%	50%	60%	
SCLK rising edges between LRCLK rising edges		32		64	SCLK edges
$t_{(edge)}$ LRCLK clock edge with respect to the falling edge of SCLK		-1/4		1/4	SCLK period

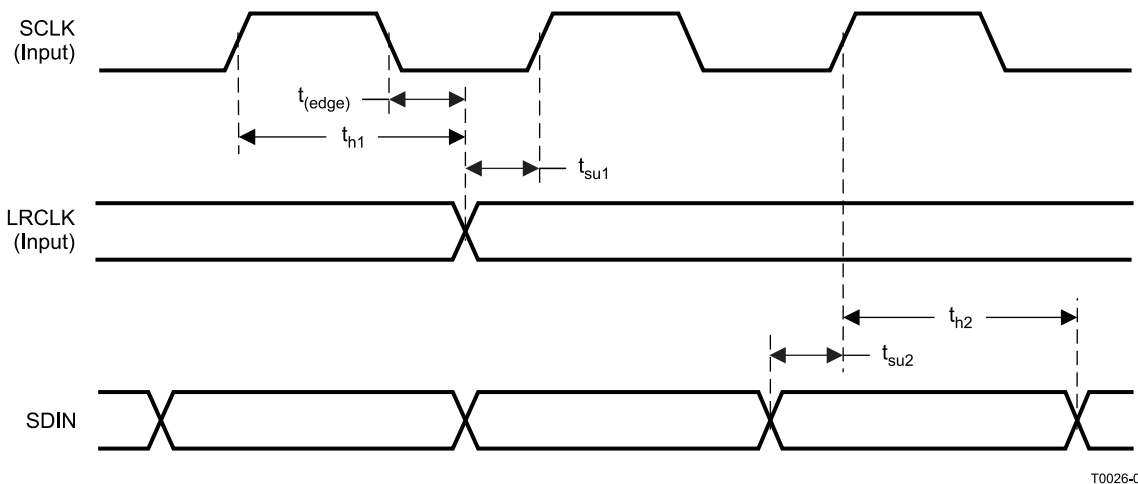


Figure 1. Slave Mode Serial Data Interface Timing

### HARDWARE SELECT PINS

over recommended operating conditions (unless otherwise noted)

PARAMETER	MIN	TYP	MAX	UNIT
$t_{su}$ Setup time, FORMAT <sub>x</sub> , CONFIG <sub>x</sub> , GAIN <sub>x</sub> to $\overline{RESET}$ rising edge	100			$\mu$ s

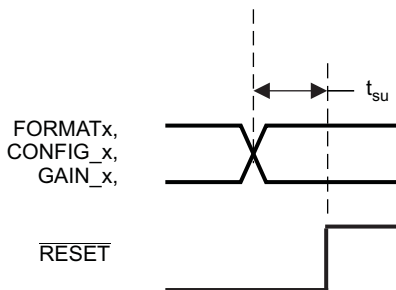
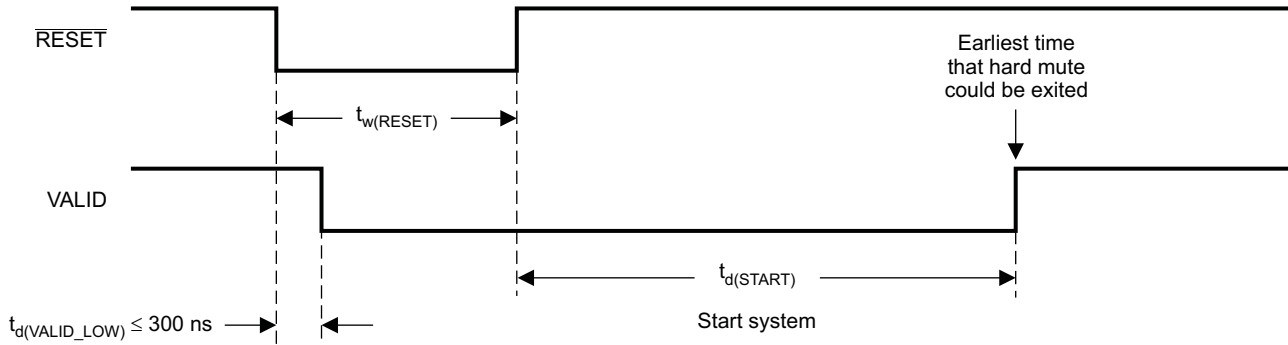


Figure 2. Mode Pins Setup Time

### RESET TIMING ( $\overline{\text{RESET}}$ ) AND POWER-ON RESET

Control signal parameters over recommended operating conditions (unless otherwise noted)

PARAMETER		MIN	TYP	MAX	UNIT
$t_{d(\text{VALID\_LOW})}$	Time to assert VALID (reset to power stage) low		300		ns
$t_w(\text{RESET})$	Pulse duration, $\overline{\text{RESET}}$ active		1		ms
$t_{d(\text{START})}$	Time to start-up		13.5		ms



T0029-05

Figure 3. Reset Timing

When power is applied to DVDD, must be held low for at least 100  $\mu\text{s}$  after DVDD reaches 3.0 V.

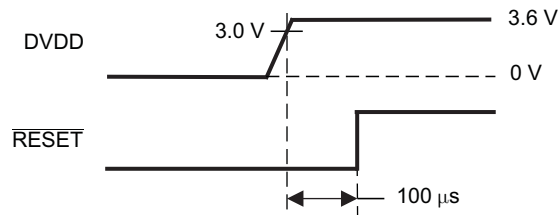
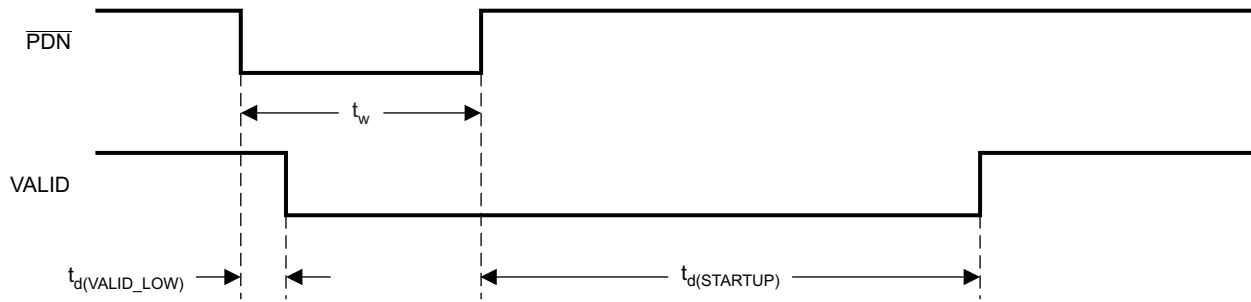


Figure 4. Power-On Reset Timing

### POWER-DOWN ( $\overline{\text{PDN}}$ ) TIMING

Control signal parameters over recommended operating conditions (unless otherwise noted)

PARAMETER		MIN	TYP	MAX	UNIT
$t_{d(\text{VALID\_LOW})}$	Time to assert VALID (reset to power stage) low		725		$\mu\text{s}$
$t_{d(\text{STARTUP})}$	Device startup time		120		ms
$t_w$	Minimum pulse duration required		800		ns



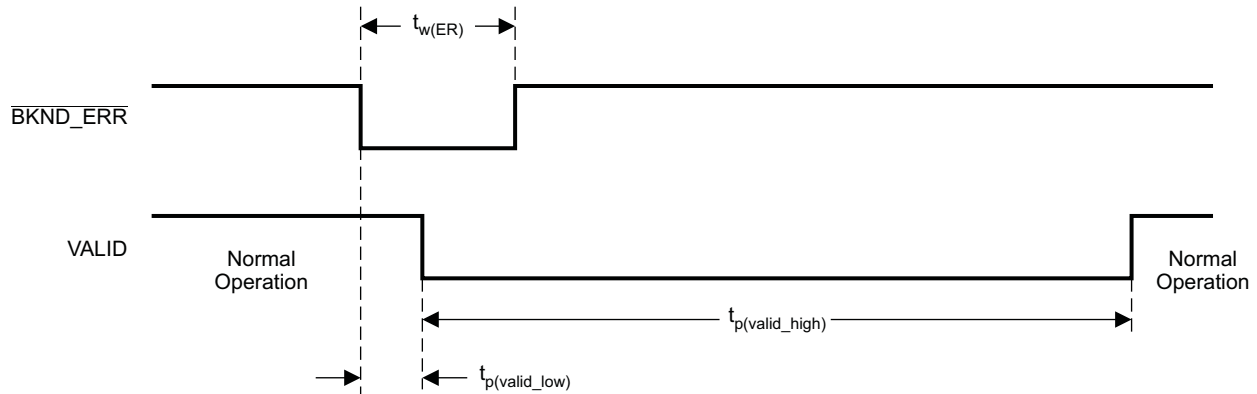
T0030-04

Figure 5. Power-Down Timing

### BACK-END ERROR (BKND\_ERR)

Control signal parameters over recommended operating conditions (unless otherwise noted)

PARAMETER		MIN	TYP	MAX	UNIT
$t_{w(ER)}$	Pulse duration, BKND_ERR active (active-low)	350			ns
$t_{p(valid\_high)}$	Time to stay in the OUT_x low state. After $t_{p(valid\_high)}$ , the TAS5704 attempts to bring the system out of the OUT_x low state if BKND_ERR is high.		300		ms
$t_{p(valid\_low)}$	Time TAS5704 takes to bring OUT_x low after BKND_ERR assertion.		350		ns



T0031-04

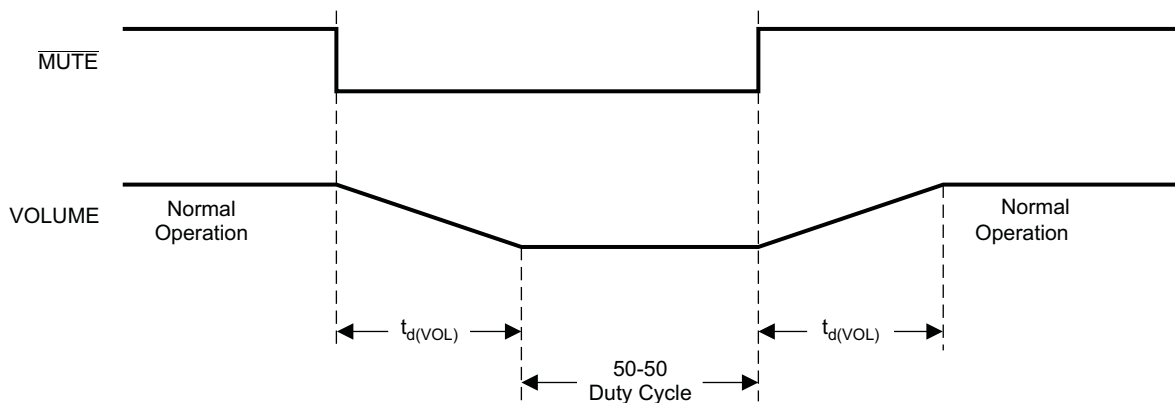
Figure 6. Error Recovery Timing

### MUTE TIMING (MUTE)

Control signal parameters over recommended operating conditions (unless otherwise noted)

PARAMETER		MIN	TYP	MAX	UNIT
$t_{d(VOL)}$	Volume ramp time. Ramp Time = Number of Steps $\times$ Stepsize <sup>(1)</sup>		1024		steps

(1) Stepsize = 4 LRCLKs (for 32–48 kHz sample rate); 8 LRCLKs (for 88.2–96 kHz sample rate); 16 LRCLKs (for 176.4–192 kHz sample rate)

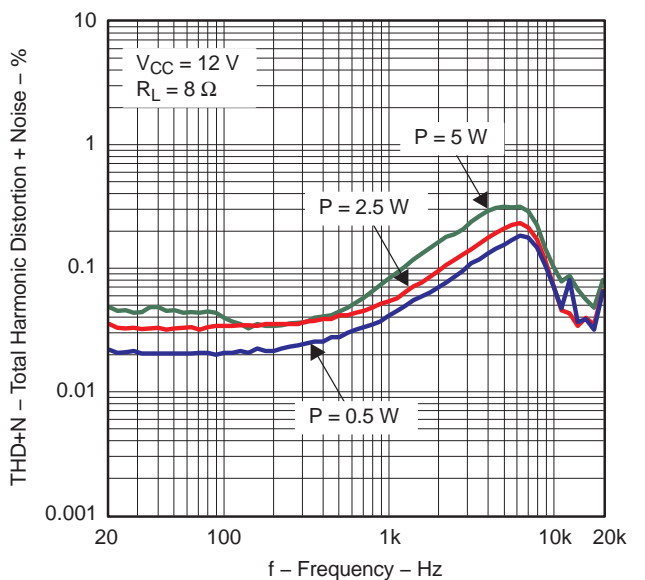


T0032-03

Figure 7. Mute Timing

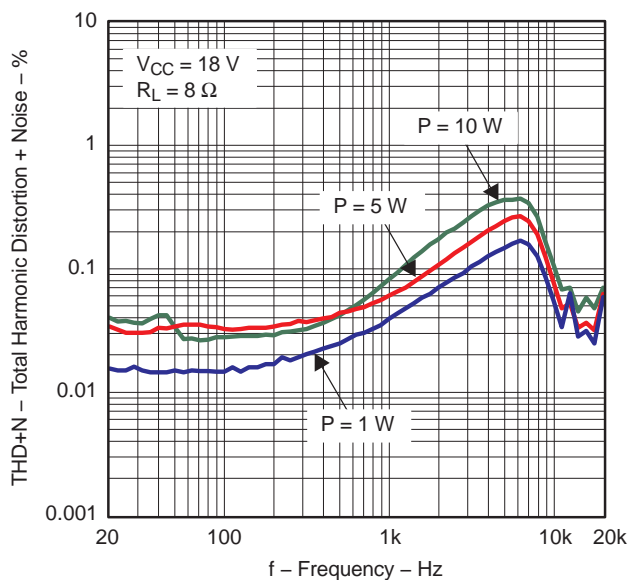
**TYPICAL CHARACTERISTICS, BTL CONFIGURATION**

**TOTAL HARMONIC DISTORTION + NOISE (BTL)  
vs  
FREQUENCY**



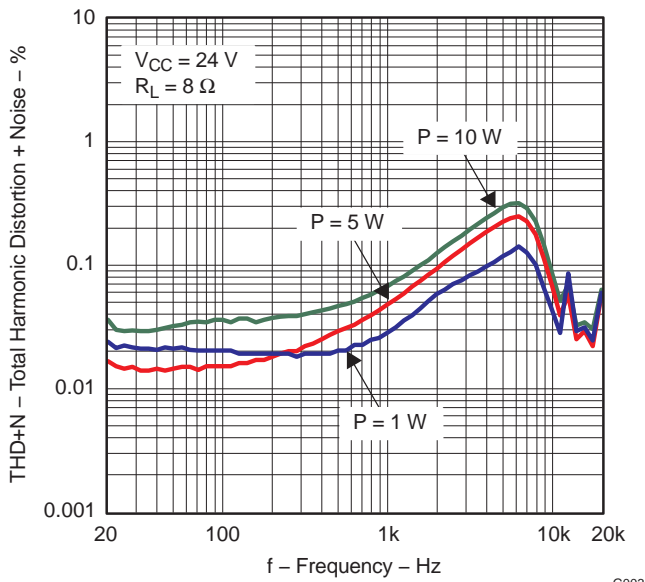
**Figure 8.**

**TOTAL HARMONIC DISTORTION + NOISE (BTL)  
vs  
FREQUENCY**



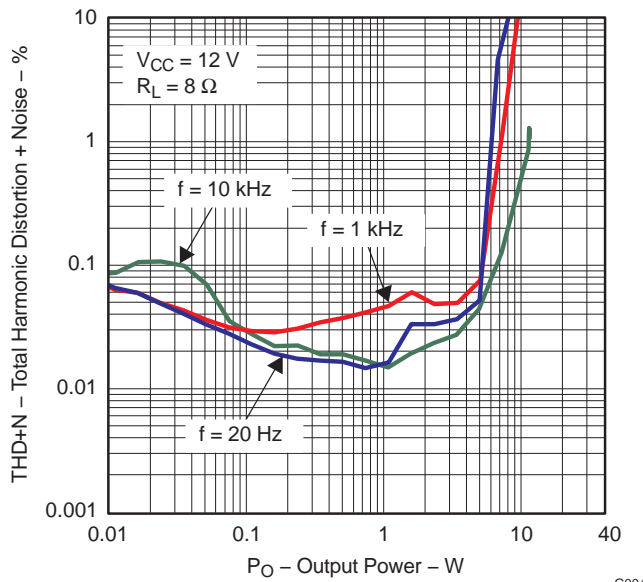
**Figure 9.**

**TOTAL HARMONIC DISTORTION + NOISE (BTL)  
vs  
FREQUENCY**



**Figure 10.**

**TOTAL HARMONIC DISTORTION + NOISE (BTL)  
vs  
OUTPUT POWER**



**Figure 11.**

**TYPICAL CHARACTERISTICS, BTL CONFIGURATION (continued)**

**TOTAL HARMONIC DISTORTION + NOISE (BTL)  
vs  
OUTPUT POWER**

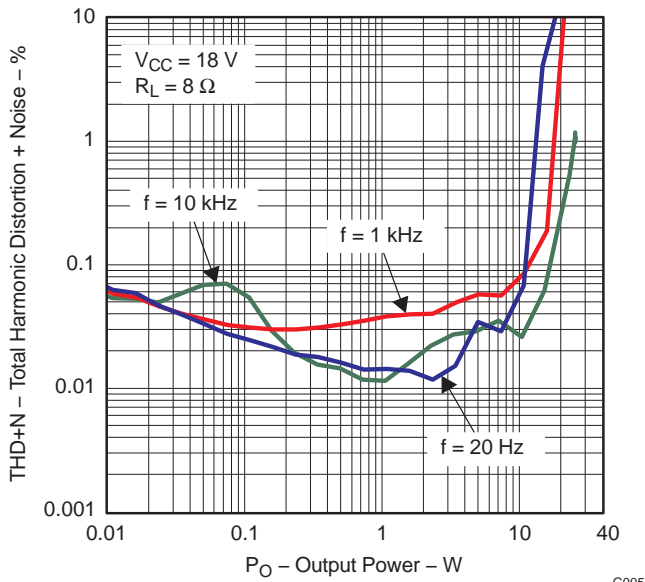


Figure 12.

**TOTAL HARMONIC DISTORTION + NOISE (BTL)  
vs  
OUTPUT POWER**

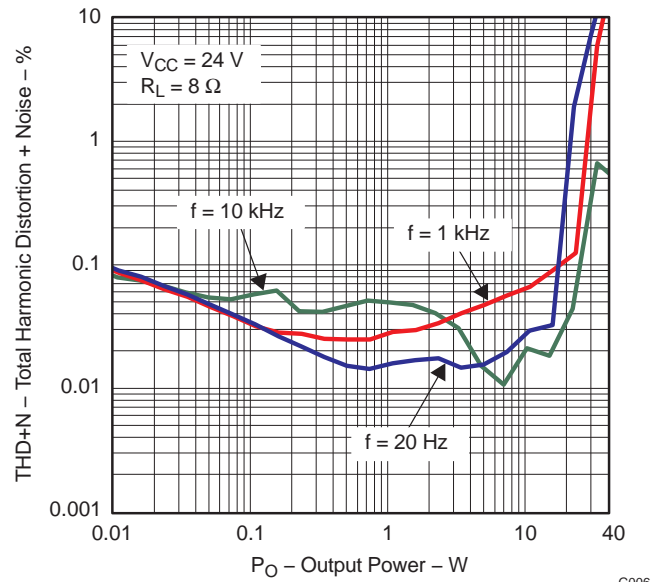


Figure 13.

**EFFICIENCY  
vs  
OUTPUT POWER**

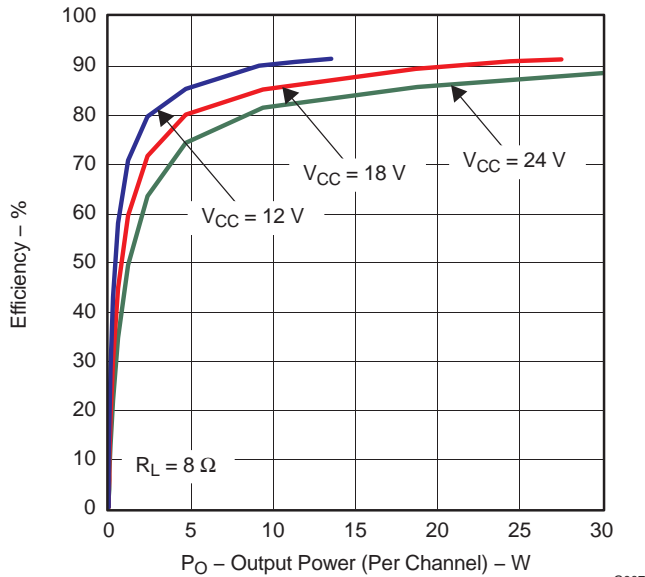


Figure 14.

**SUPPLY CURRENT  
vs  
TOTAL OUTPUT POWER**

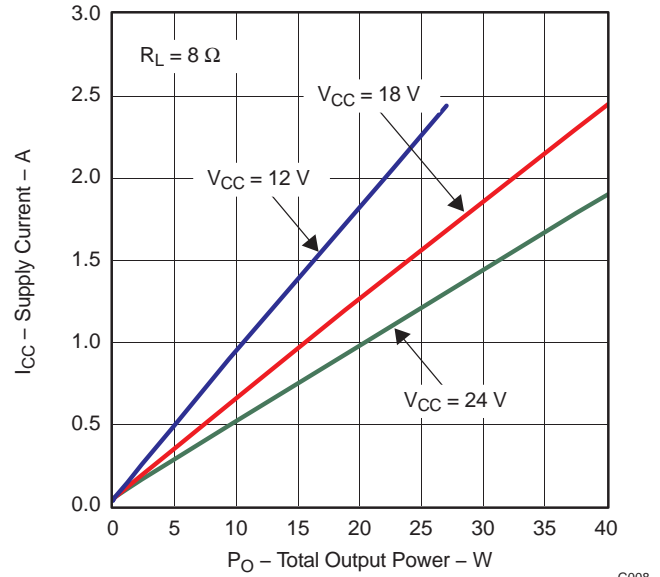


Figure 15.



TYPICAL CHARACTERISTICS, BTL CONFIGURATION (continued)

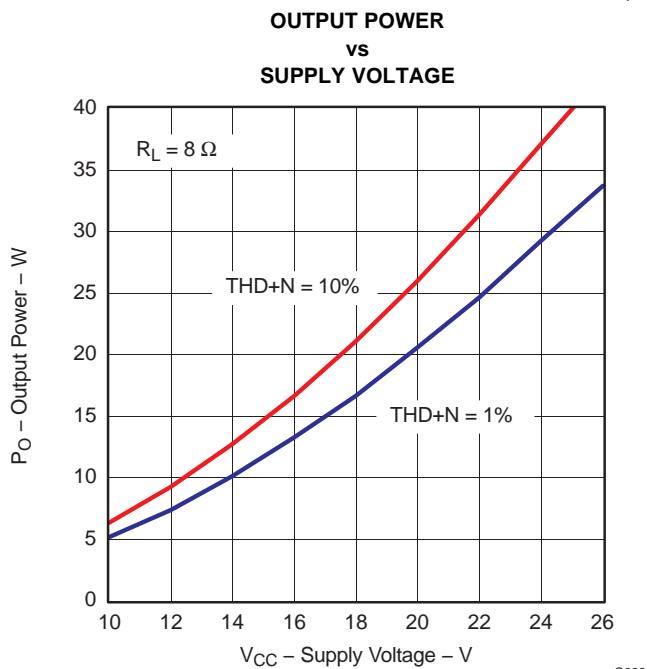


Figure 16.

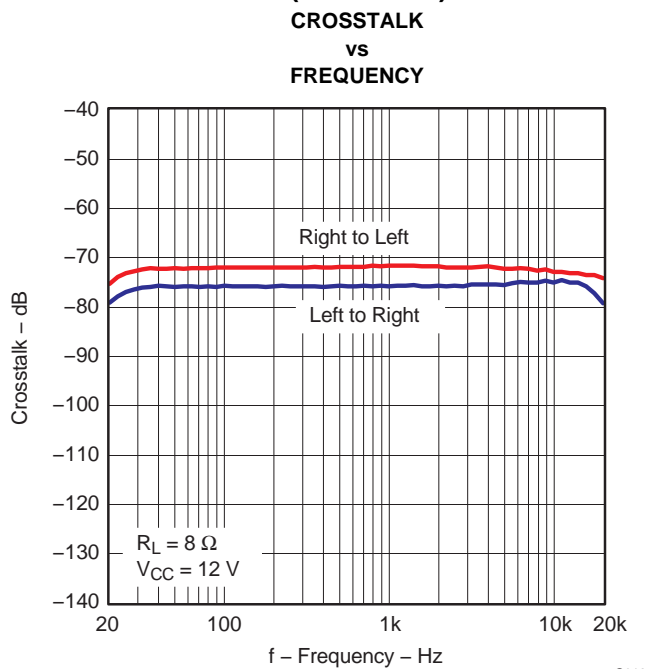


Figure 17.

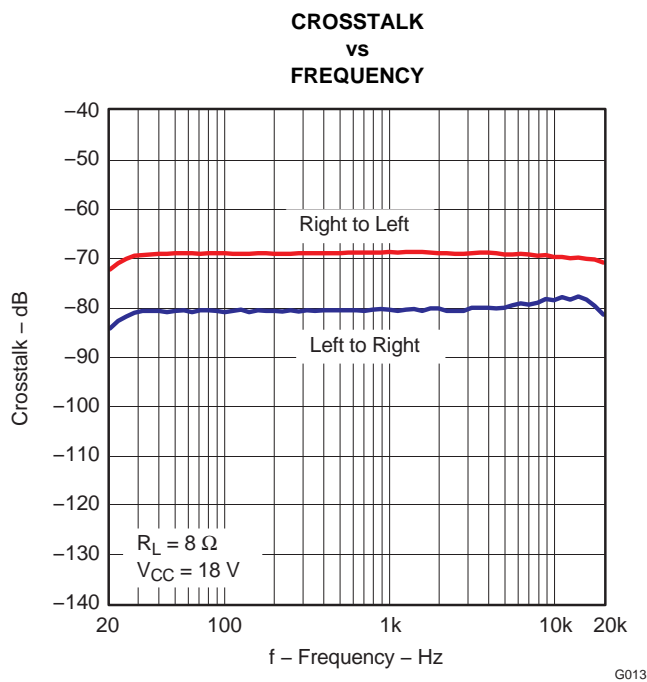


Figure 18.

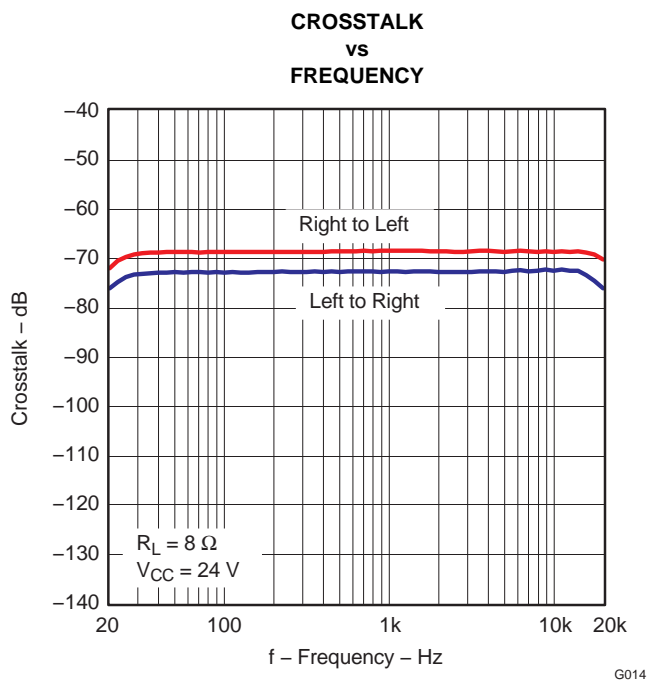
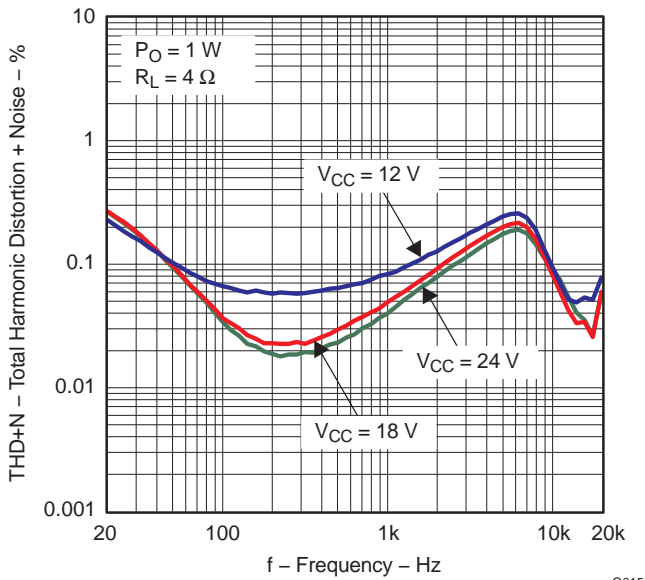


Figure 19.

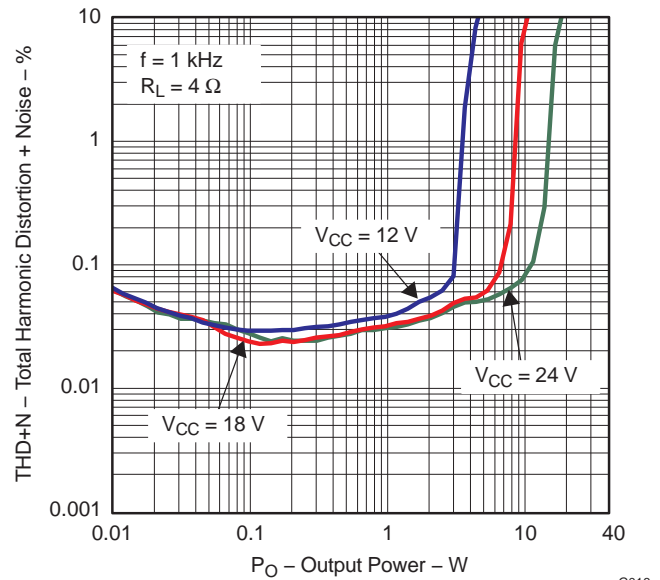
**TYPICAL CHARACTERISTICS, SE CONFIGURATION**

**TOTAL HARMONIC DISTORTION + NOISE (SE)  
vs  
FREQUENCY**



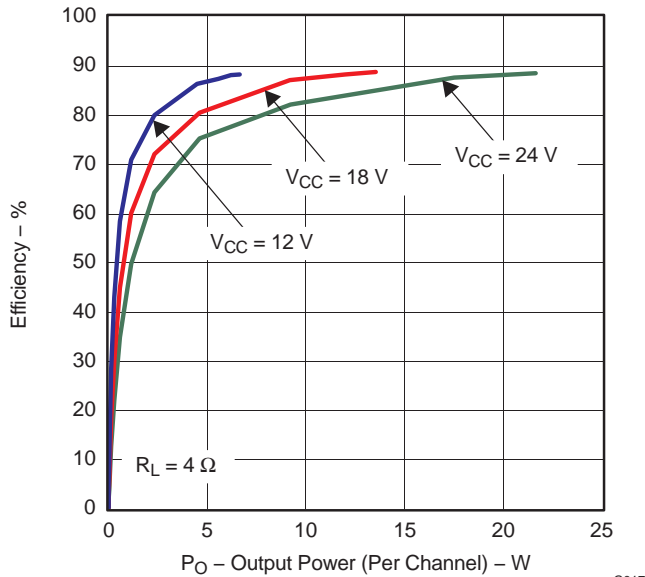
**Figure 20.**

**TOTAL HARMONIC DISTORTION + NOISE (SE)  
vs  
OUTPUT POWER**



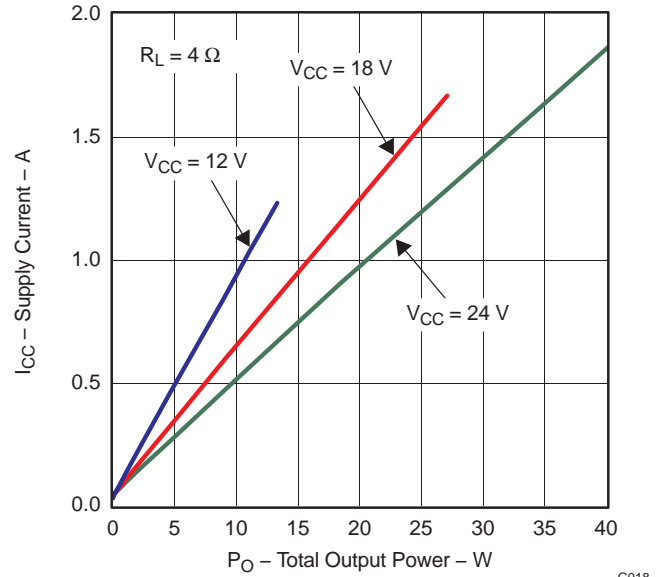
**Figure 21.**

**EFFICIENCY  
vs  
OUTPUT POWER**



**Figure 22.**

**SUPPLY CURRENT  
vs  
TOTAL OUTPUT POWER**



**Figure 23.**

TYPICAL CHARACTERISTICS, SE CONFIGURATION (continued)

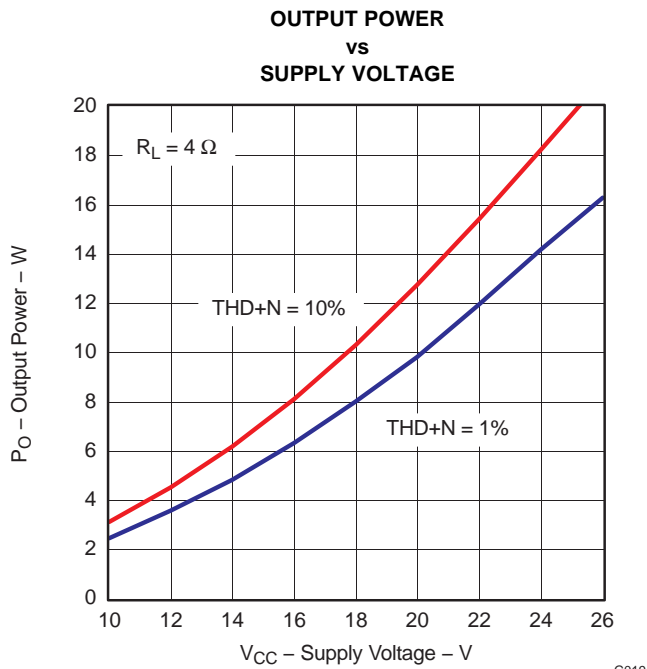


Figure 24.

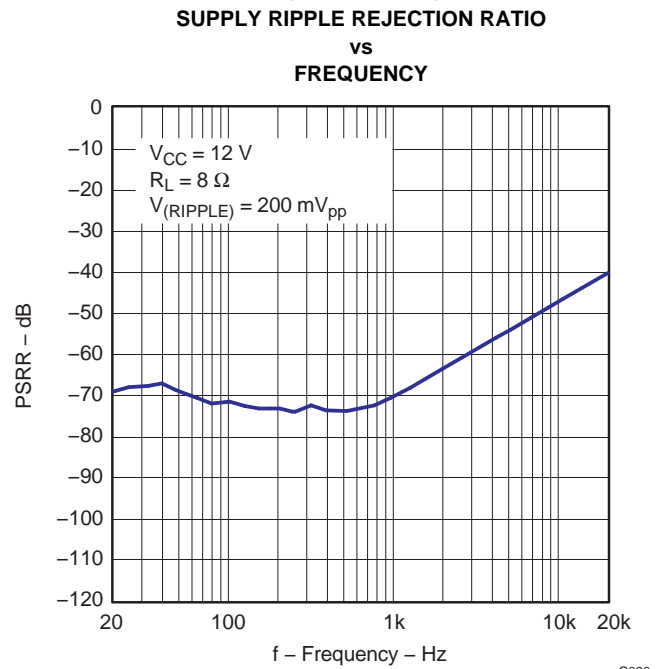


Figure 25.

## DETAILED DESCRIPTION

### POWER SUPPLY

The digital portion of the chip requires 3.3 V, and the power section operates from a variable range from 10 V to 26 V.

### Clock, Auto Detection, and PLL

The TAS5704 DAP is a clock slave device. It accepts MCLK, SCLK, and LRCLK.

The TAS5704 checks to verify that SCLK is a specific value of  $32 \cdot f_s$ ,  $48 \cdot f_s$ , or  $64 \cdot f_s$ . The DAP only supports a  $1 \times f_s$  LRCLK. The timing relationship of these clocks to SDIN1 and SDIN2 is shown in subsequent sections. The clock section uses MCLK or the internal oscillator clock (when MCLK is unstable or absent) to produce the internal clock.

The DAP can auto-detect and set the internal clock control logic to the appropriate settings for the frequencies of 32 kHz, normal speed (44.1 or 48 kHz), double speed (88.2 kHz or 96 kHz), and quad speed (176.4 kHz or 192 kHz).

### PWM SECTION

The DAP (digital audio processor) has four channels of high-performance digital PWM modulators that are designed to drive bridge-tied output H-bridge configurations with AD or BD modulation and single-ended output configurations with AD modulation.

The DAP uses noise-shaping and sophisticated error correction algorithms to achieve high power efficiency and high-performance digital audio reproduction.

The PWM section accepts 24-bit PCM data from the DAP and outputs up to 4 PWM audio output channels.

The PWM section has individual channel dc blocking filters that are ALWAYS enabled. The filter cutoff frequency is less than 1 Hz.

### SERIAL DATA INTERFACE

Serial data is input on SDIN1 and SDIN2. The PWM outputs are derived from SDIN1 and SDIN2. The TAS5704 DAP accepts 32-, 44.1-, 48-, 88.2-, 96-, 176.4-, and 192-kHz serial data in 16-, 18-, 20-, or 24-bit data in left-justified, right-justified, and I<sup>2</sup>S serial data formats. See [Table 1](#) for format control settings.

### SERIAL INTERFACE CONTROL AND TIMING

#### I<sup>2</sup>S Timing

I<sup>2</sup>S timing uses LRCLK to define when the data being transmitted is for the left channel and when it is for the right channel. LRCLK is low for the left channel and high for the right channel. A system clock (SCLK) running at  $32$ ,  $48$ , or  $64 \times f_s$  is used to clock in the data. There is a delay of one bit clock from the time the LRCLK signal changes state to the first bit of data on the data lines. The data is written MSB first and is valid on the rising edge of the bit clock. The DAP masks unused trailing data bit positions.

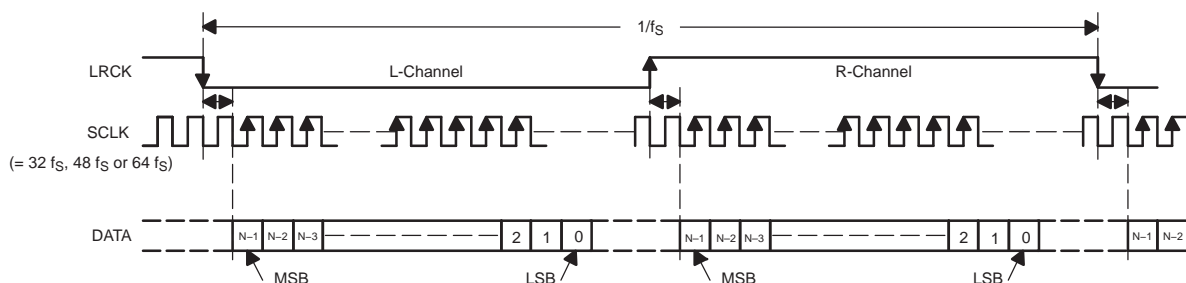


Figure 26. I<sup>2</sup>S Format

### Left-Justified

Left-justified (LJ) timing uses LRCLK to define when the data being transmitted is for the left channel and when it is for the right channel. LRCLK is high for the left channel and low for the right channel. A bit clock running at  $32, 48, \text{ or } 64 \times f_s$  is used to clock in the data. The first bit of data appears on the data lines at the same time LRCLK toggles. The data is written MSB first and is valid on the rising edge of the bit clock. The DAP masks unused trailing data bit positions.

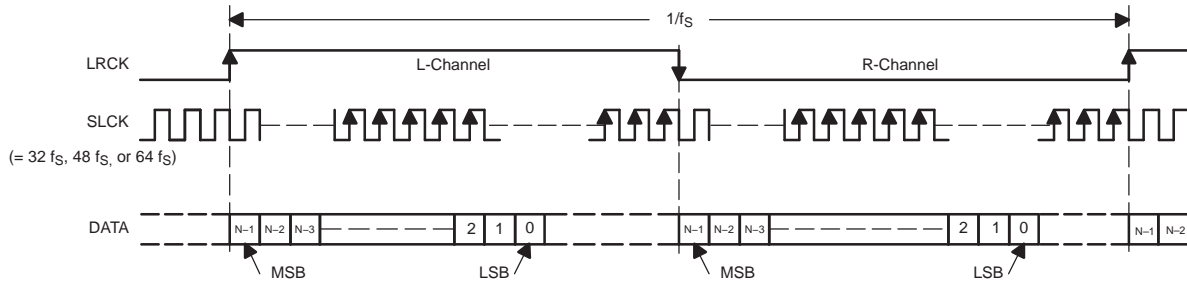


Figure 27. Left-Justified Format

### Right-Justified

Right-justified (RJ) timing uses LRCLK to define when the data being transmitted is for the left channel and when it is for the right channel. LRCLK is high for the left channel and low for the right channel. A bit clock running at  $32, 48, \text{ or } 64 \times f_s$  is used to clock in the data. The first bit of data appears on the data 8 bit-clock periods (for 24-bit data) after LRCLK toggles. In RJ mode the LSB of data is always clocked by the last bit clock before LRCLK transitions. The data is written MSB first and is valid on the rising edge of the bit clock. The DAP masks unused leading data bit positions.

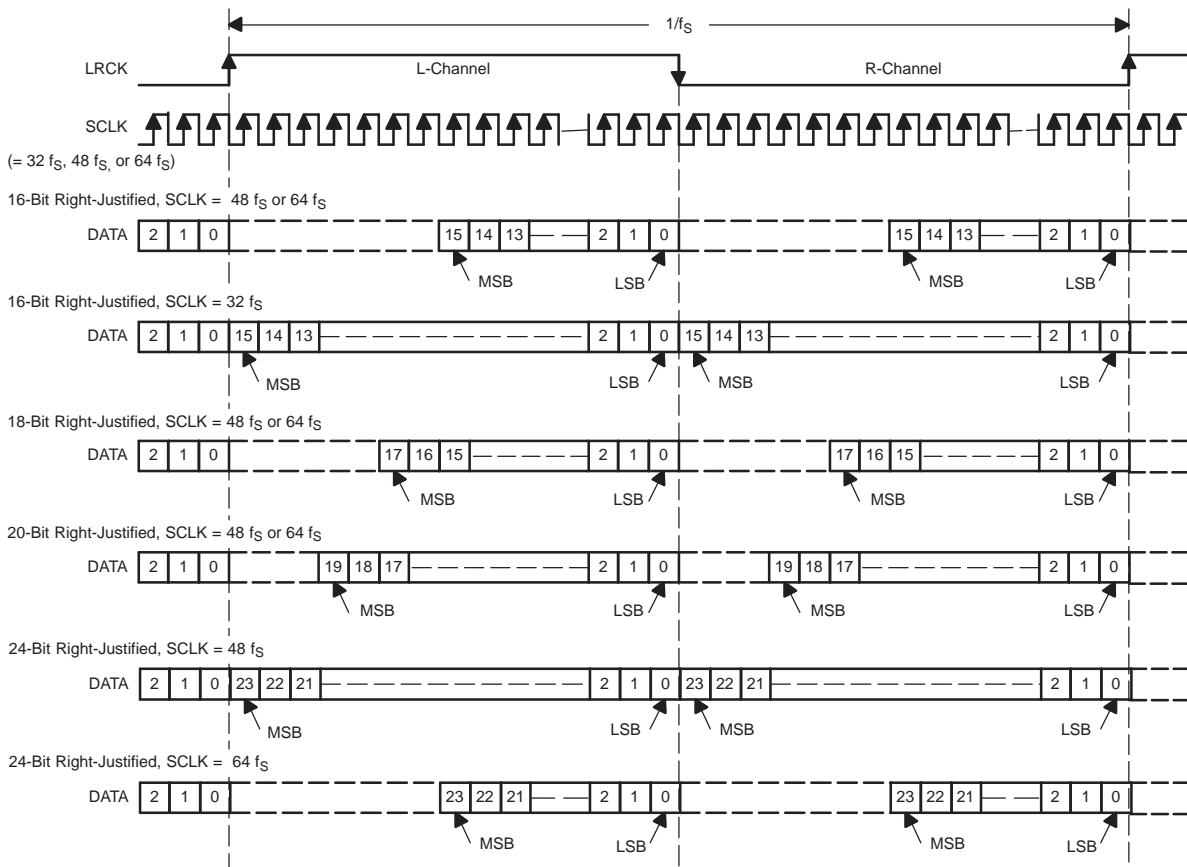


Figure 28. Right-Justified Format

## Format Control

The digital data input format is selected via three external terminals (FORMAT0, FORMAT1, and FORMAT2). [Table 1](#) lists the corresponding data format for SDIN1 and SDIN2. LRCLK and SCLK are shared clocks for SDIN1 and SDIN2. Changes to the FORMATx terminals are latched in immediately on a rising edge of RESET. Changes to the FORMATx terminals while RESET is high are not allowed.

**Table 1. Format Control**

FORMAT2	FORMAT1	FORMAT0	SERIAL DIGITAL DATA FORMAT
0	0	0	16-Bit right-justified
0	0	1	18-Bit right-justified
0	1	0	20-Bit right-justified
0	1	1	24-Bit right-justified
1	0	0	16-, 24-Bit I <sup>2</sup> S
1	0	1	16-, 24-Bit left-justified
1	1	0	Reserved. Setting is not allowed.
1	1	1	Reserved. Setting is not allowed.

## Gain Control

The gain of the DAP is selected via two external gain pins (GAIN\_0 and GAIN\_1). [Table 2](#) lists the corresponding channel gain (for ALL channels) for GAIN\_0 and GAIN\_1 settings. Individual channel gain is not possible. Changes to the GAIN\_x terminals are latched in immediately on a rising edge of RESET. Changes to the GAIN\_x terminals while RESET is high are not allowed.

**Table 2. Gain Control**

GAIN_1	GAIN_0	CHANNEL GAIN (dB)	OUTPUT VOLTAGE WITH FULL SCALE INPUT (V <sub>rms</sub> ) — BTL
0	0	-3	17.56
0	1	3	35.04 <sup>(1)</sup>
1	0	9	70.08 <sup>(1)</sup>
1	1	12	99.00 <sup>(1)</sup>

(1) Output clipped. See the calculation example in the Application section.

## Output Configuration Control

The PWM outputs can be remapped to allow 2-ch, 2.1-ch, and 4-ch operation. Two terminals are used for this mapping, CONFIG\_1 and CONFIG\_2. [Table 3](#) lists the output configurations that are supported. Changes to the CONFIG\_x terminals are latched in immediately on a rising edge of RESET. Changes to the CONFIG\_x terminals while RESET is high are not allowed.

**Table 3. Output Configurations**

CONFIG_2	CONFIG_1	OUTPUT CONFIGURATION
0	0	2-Ch Mode, BTL, AD modulation. SUB+/- is derived from the SDIN2 input (left channel). SUB+/- is AD modulation with SUB- equal to the compliment of SUB+.
0	1	2-Ch Mode, BTL, BD modulation. SUB+/- is derived from the SDIN2 input (left channel), and SUB+/- is BD PWM.
1	0	2.1-Ch Mode (2xSE outputs, 1xBTL output). AD modulation. No SUB+/- PWM output.
1	1	4-Ch Mode (4xSE outputs). AD modulation. No SUB+/- PWM output.



## APPLICATION INFORMATION

### CLOSED-LOOP POWER STAGE CHARACTERISTICS

The TAS5704 is PWM input power stage with a closed loop architecture. A feedback loop varies the PWM output duty cycle with changes in the supply voltage. This ensures that the output voltage (and output power) remain the same over transitions in the power supply.

Open-loop power stages have an output duty cycle that is equal to the input duty cycle. Since the duty cycle does NOT change to compensate for changes in the supply voltage, the output voltage (and power) change with supply voltage changes. This is undesirable effect that closed-loop architecture of the TAS5704 solves.

The single-ended (SE) gain of the TAS5704 is fixed, and specified below:

$$\text{TAS5704 Gain} = 0.13 / \text{Modulation Level (Vrms/\%)}$$

Modulation level = fraction of full-scale modulation of the PWM signal at the input of the power stage.

$$\text{TAS5704 (SE) Voltage Level (in Vrms)} = 0.13 \times \text{Modulation Level}$$

The bridge-tied (BTL) gain of the TAS5704 is equal to 2x the SE gain:

$$\text{TAS5704 (BTL) Voltage Level (in Vrms)} = 0.26 \times \text{Modulation Level}$$

For a digital modulator like the TAS5704, the default maximum modulation limit is 97.7%. For a full scale input, the PWM output switches between 2.3% and 97.7%. This equates to a modulation level of 95.4% for a full scale input (0 dBFS).

For example, calculate the output voltage in RMS volts given a –20 dBFS signal to a digital modulator with a maximum modulation limit of 97.7% in a BTL output configuration:

$$\begin{aligned} \text{TAS5704 Output Voltage} &= 0.1 \text{ (–20dB)} \times 0.26 \text{ (Gain)} \times 95.4 \text{ (Modulation Level)} \\ &= 2.48 \text{ Vrms} \end{aligned}$$

For shutdown and power-down, the  $\overline{\text{PDN}}$  terminal should be cycled low for the “turn-off” time specified in the DC Electrical Characteristics table before PVCC falls below 10 V and DVDD/AVDD falls below 3 V. For SE mode, this is approximately 500ms. For BTL mode, the time is much faster, at 30ms. This ensures the best “pop” performance in the system.

### POWER SUPPLIES

To allow simplified system design, the TAS5704 requires only a single supply (PVCC) for the the power blocks and a 3.3 V (DVDD/AVDD) supply for PWM input blocks. In addition, the high-side gate drive is provided by built-in bootstrap circuits requiring only an external capacitor for each half-bridge.

DVDD/AVDD must be applied at the same time or before PVCC is applied on power-up. For power-down, PVCC and DVDD/AVDD should remain active while the  $\overline{\text{PDN}}$  terminal is cycled low and held low for at least the time specified for  $t_{\text{OFF}}$  in the Electrical Characteristics table.

In order for the bootstrap circuit to function properly, it is necessary to connect a small ceramic capacitor from each bootstrap pin (BS\_) to the corresponding output pin (OUT\_). When the power-stage output is low, the bootstrap capacitor is charged through an internal diode. When the power-stage output is high, the bootstrap capacitor potential is shifted above the output potential and thus provides a suitable voltage supply for the high-side gate drive.

### DEVICE PROTECTION SYSTEM

The TAS5704 contains a complete set of protection circuits carefully designed to make system design efficient as well as to protect the device against any kind of permanent failures due to short circuits, overtemperature, overvoltage, and undervoltage.



## PROTECTION MECHANISMS IN THE TAS5704

- SCP (short-circuit protection) protects against shorts across the load, to GND, and to PVCC.
- OTP turns off the device if  $T_{\text{junction}}$  (typical) > 150°C.
- UVP turns off the device if PVCC (typical) < 8.4 V
- OVP turns off the device if PVCC (typical) > 27.5 V

A short-circuit condition can be detected also by an external controller. The VALID pin goes low in the event of a short circuit. The VALID pin can be monitored by an external  $\mu\text{C}$ . The TAS5704 initiates a back-end error sequence by itself to recover from the error, which involves settling VALID low for 300 ms and then retrying to check whether the short-circuit condition still exists.

## RECOVERY FROM ERROR

- OTP turns on the device back when  $T_{\text{die}}$  (typical) < 135°C.
- UVP turns on the device if PVCC (typical) is > 8.5 V.
- OVP turns on the device if PVCC (typical) is < 27.2 V.
- SCP (short-circuit protection) turns on the device if the short-circuit is removed. See the Back-End Error section for the sequence.

## SINGLE-ENDED OUTPUT CAPACITOR, $C_o$

In single-ended (SE) applications, the dc blocking capacitor forms a high-pass filter with the speaker impedance. The frequency response rolls off with decreasing frequency at a rate of 20 dB/decade. The cutoff frequency is determined by

$$f_c = 1/2\pi C_o Z_L \quad (1)$$

Table 4 shows some common component values and the associated cutoff frequencies:

**Table 4. Common Filter Responses**

SPEAKER IMPEDANCE ( $\Omega$ )	$C_{SE}$ – DC BLOCKING CAPACITOR ( $\mu\text{F}$ )		
	$f_c = 60 \text{ Hz}$ (–3 dB)	$f_c = 40 \text{ Hz}$ (–3 dB)	$f_c = 20 \text{ Hz}$ (–3 dB)
4	680	1000	2200
8	330	470	1000

## OUTPUT FILTER AND FREQUENCY RESPONSE

For the best frequency response, a flat-passband output filter (second-order Butterworth) may be used. The output filter components consist of the series inductor and capacitor to ground at the output pins. There are several possible configurations, depending on the speaker impedance and whether the output configuration is single-ended (SE) or bridge-tied load (BTL). Table 5 lists the recommended values for the filter components. It is important to use a high-quality capacitor in this application. A rating of at least X7R is required.

**Table 5. Recommended Filter Output Components**

OUTPUT CONFIGURATION	SPEAKER IMPEDANCE ( $\Omega$ )	FILTER INDUCTOR ( $\mu\text{H}$ )	FILTER CAPACITOR (nF)
Single Ended (SE)	4	22	680
	8	47	390
Bridge Tied Load (BTL)	4	10	1500
	8	22	680

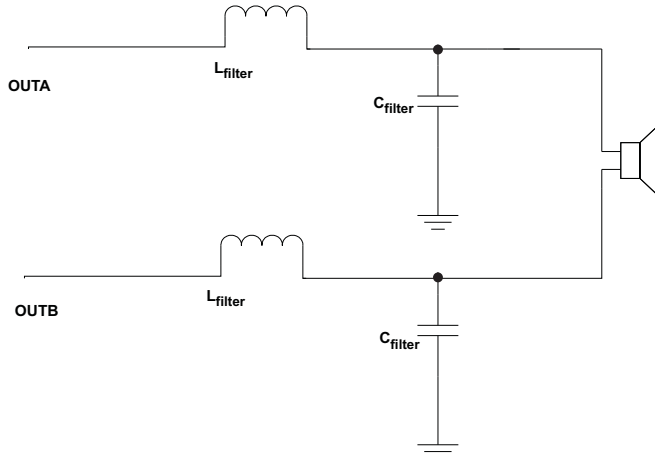


Figure 29. BTL Filter Configuration

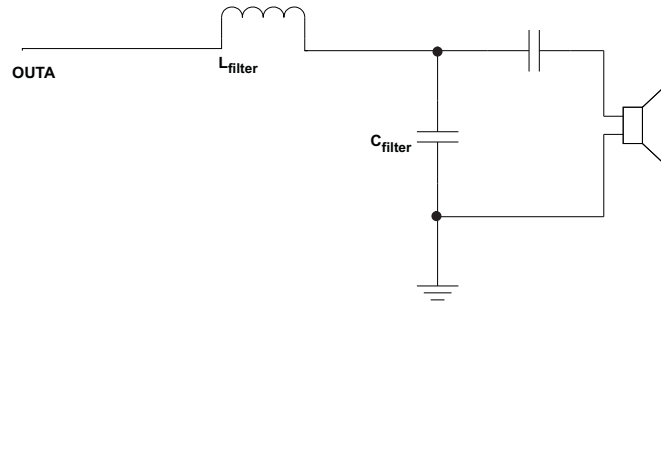


Figure 30. SE Filter Configuration

## POWER-SUPPLY DECOUPLING, $C_s$

The TAS5704 is a high-performance CMOS audio amplifier that requires adequate power-supply decoupling to ensure that the output total harmonic distortion (THD) is as low as possible. Power-supply decoupling also prevents oscillations for long lead lengths between the amplifier and the speaker. The optimum decoupling is achieved by using two capacitors of different types that target different types of noise on the power-supply leads. For higher-frequency transients, spikes, or digital hash on the line, a good low equivalent-series-resistance (ESR) ceramic capacitor, typically  $0.1\ \mu\text{F}$  to  $1\ \mu\text{F}$ , placed as close as possible to the device  $V_{CC}$  lead works best. For filtering lower frequency noise signals, a larger aluminum electrolytic capacitor of  $220\ \mu\text{F}$  or greater placed near the audio power amplifier is recommended. The  $220\text{-}\mu\text{F}$  capacitor also serves as local storage capacitor for supplying current during large signal transients on the amplifier outputs. The PVCC terminals provide the power to the output transistors, so a  $220\text{-}\mu\text{F}$  or larger capacitor should be placed on each PVCC terminal. A  $10\text{-}\mu\text{F}$  capacitor on the AVCC terminal is adequate. These capacitors must be properly derated for voltage and ripple-current rating to ensure reliability.

## BOOTSTRAP CAPACITORS

The half H-bridge output stages use only NMOS transistors. Therefore, they require bootstrap capacitors for the high side of each output to turn on correctly. A  $220\text{-nF}$  ceramic capacitor, rated for at least  $25\ \text{V}$ , must be connected from each output to its corresponding bootstrap input.

The bootstrap capacitors connected between the BSx pins and their corresponding outputs function as a floating power supply for the high-side N-channel power MOSFET gate-drive circuitry. During each high-side switching cycle, the bootstrap capacitors hold the gate-to-source voltage high enough to keep the high-side MOSFETs turned on.

## VCLAMP CAPACITOR

To ensure that the maximum gate-to-source voltage for the NMOS output transistors is not exceeded, one internal regulator clamps the gate voltage. One  $1\text{-}\mu\text{F}$  capacitor must be connected from each VCLAMP (terminal) to ground and must be rated for at least  $16\ \text{V}$ . The voltages at the VCLAMP terminal may vary with  $V_{CC}$  and may not be used for powering any other circuitry.

## VBYP CAPACITOR SELECTION

The scaled supply reference (BYPASS) nominally provides an  $AVCC/8$  internal bias for the preamplifier stages. The external capacitor for this reference ( $C_{BYP}$ ) is a critical component and serves several important functions. During start-up or recovery from shutdown mode,  $C_{BYP}$  determines the rate at which the amplifier starts. The start up time is proportional to  $0.5\ \text{s}$  per microfarad in single-ended mode ( $SE/BTL = DVDD$ ). Thus, the recommended  $1\text{-}\mu\text{F}$  capacitor results in a start-up time of approximately  $500\ \text{ms}$  ( $SE/BTL = DVDD$ ). The second function is to reduce noise produced by the power supply caused by coupling with the output drive signal. This noise could result in degraded power-supply rejection and  $THD+N$ .

The circuit is designed for a  $C_{BYP}$  value of 1  $\mu\text{F}$  for best pop performance. The input capacitors should have the same value. A ceramic or tantalum low-ESR capacitor is recommended.

## USING LOW-ESR CAPACITORS

Low-ESR capacitors are recommended throughout this application section. A real (as opposed to ideal) capacitor can be modeled simply as a resistor in series with an ideal capacitor. The voltage drop across this resistor minimizes the beneficial effects of the capacitor in the circuit. The lower the equivalent value of this resistance, the more the real capacitor behaves like an ideal capacitor.

## PRINTED-CIRCUIT BOARD (PCB) LAYOUT

Because the TAS5704 is a class-D amplifier that switches at a high frequency, the layout of the printed-circuit board (PCB) should be optimized according to the following guidelines for the best possible performance.

- Decoupling capacitors—The high-frequency 0.1- $\mu\text{F}$  decoupling capacitors should be placed as close to the PVCC, VR\_DIG, and AVCC terminals as possible. The BYPASS capacitor and VCLAMP\_XX capacitors should also be placed as close to the device as possible. Large (220- $\mu\text{F}$  or greater) bulk power-supply decoupling capacitors should be placed near the TAS5704 on the PVCCx terminals. For single-ended operation, a 220  $\mu\text{F}$  capacitor should be placed on each PVCC pin. For Bridge-tied operation, a single 220  $\mu\text{F}$  capacitor can be shared between A and B or C and D.
- Grounding—The AVCC decoupling capacitor and BYPASS capacitor should each be grounded to analog ground (AGND). The PVCCx decoupling capacitors and VCLAMP\_xx capacitors should each be grounded to power ground (PGND). Analog ground and power ground should be connected at the thermal pad, which should be used as a central ground connection or star ground for the TAS5704.
- Output filter—The reconstruction LC filter should be placed as close to the output terminals as possible for the best EMI performance. The capacitors should be grounded to power ground.
- Thermal pad—The thermal pad must be soldered to the PCB for proper thermal performance, audio performance, and optimal reliability. The dimensions of the thermal pad and thermal land are described in the mechanical section at the back of the data sheet. See TI Technical Briefs [SLMA002](#) and [SLOA120](#) for more information about using the thermal pad. For recommended PCB footprints, see figures at the end of this data sheet.

For an example layout, see the TAS5704 Evaluation Module (TAS5704EVM) User Manual, ([SLOU189](#)). Both the EVM user manual and the thermal pad application note are available on the TI Web site at <http://www.ti.com>.

## BASIC MEASUREMENT SYSTEM

This section focuses on methods that use the basic equipment listed below:

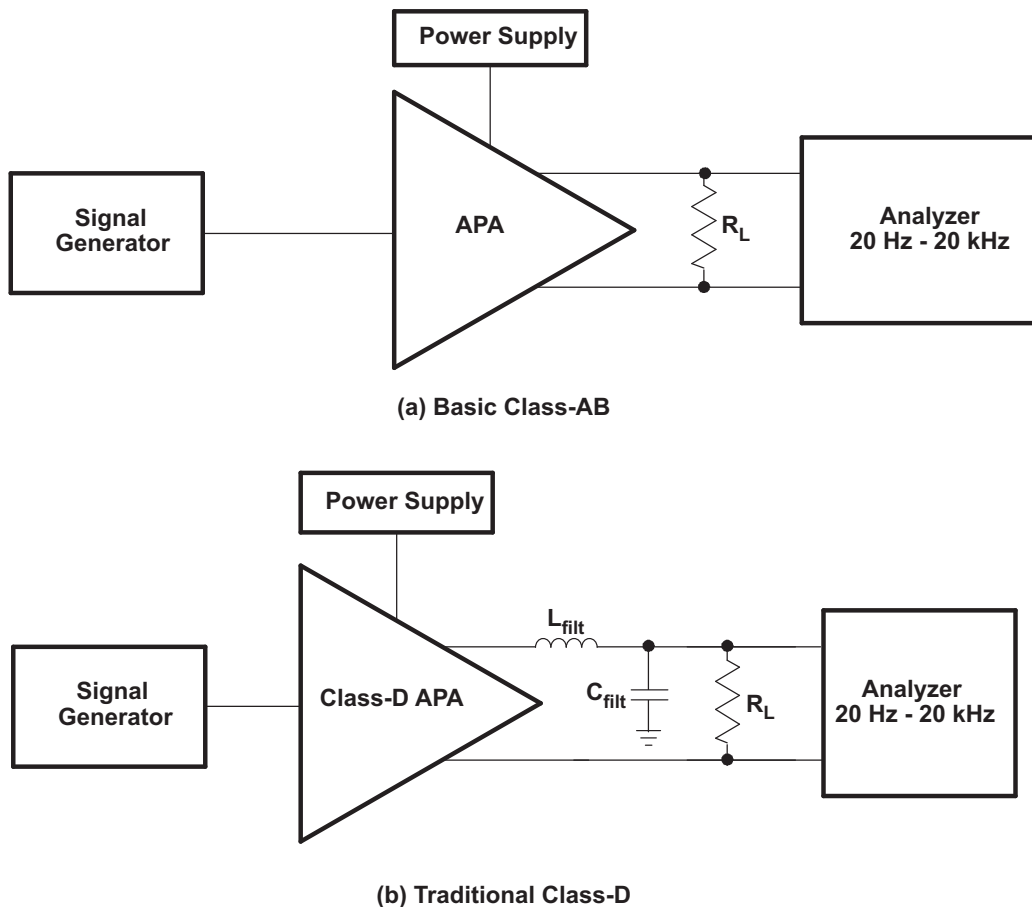
- Audio analyzer or spectrum analyzer
- Digital multimeter (DMM)
- Oscilloscope
- Twisted-pair wires
- Signal generator
- Power resistor(s)
- Linear regulated power supply
- Filter components
- EVM or other complete audio circuit

**Figure 31** shows the block diagrams of basic measurement systems for class-AB and class-D amplifiers. A sine wave is normally used as the input signal because it consists of the fundamental frequency only (no other harmonics are present). An analyzer is then connected to the audio power amplifier (APA) output to measure the voltage output. The analyzer must be capable of measuring the entire audio bandwidth. A regulated dc power supply is used to reduce the noise and distortion injected into the APA through the power pins. A System Two™ audio measurement system (AP-II) by Audio Precision™ includes the signal generator and analyzer in one package.

The generator output and amplifier input must be ac-coupled. However, the EVMs already have the ac-coupling capacitors, ( $C_{IN}$ ), so no additional coupling is required. The generator output impedance should be low to avoid attenuating the test signal, and is important because the input resistance of APAs is not high. Conversely, the analyzer input impedance should be high. The output resistance,  $R_{OUT}$ , of the APA is normally in the hundreds of milliohms and can be ignored for all but the power-related calculations.

Figure 31(a) shows a class-AB amplifier system. It takes an analog signal input and produces an analog signal output. This amplifier circuit can be directly connected to the AP-II or other analyzer input.

This is not true of the class-D amplifier system shown in Figure 31(b), which requires low-pass filters in most cases in order to measure the audio output waveforms. This is because it takes an analog input signal and converts it into a pulse-width modulated (PWM) output signal that is not accurately processed by some analyzers.



**Figure 31. Audio Measurement Systems**

## SE INPUT AND SE OUTPUT (TAS5704 Stereo Configuration)

The SE input and output configuration is used with class-AB amplifiers. A block diagram of a fully SE measurement circuit is shown in Figure 32. SE inputs normally have one input pin per channel. In some cases, two pins are present; one is the signal and the other is ground. SE outputs have one pin driving a load through an output ac-coupling capacitor and the other end of the load is tied to ground. SE inputs and outputs are considered to be unbalanced, meaning one end is tied to ground and the other to an amplifier input/output.

The generator should have unbalanced outputs, and the signal should be referenced to the generator ground for best results. Unbalanced or balanced outputs can be used when floating, but they may create a ground loop that affects the measurement accuracy. The analyzer should have balanced inputs to cancel out any common-mode noise in the measurement.

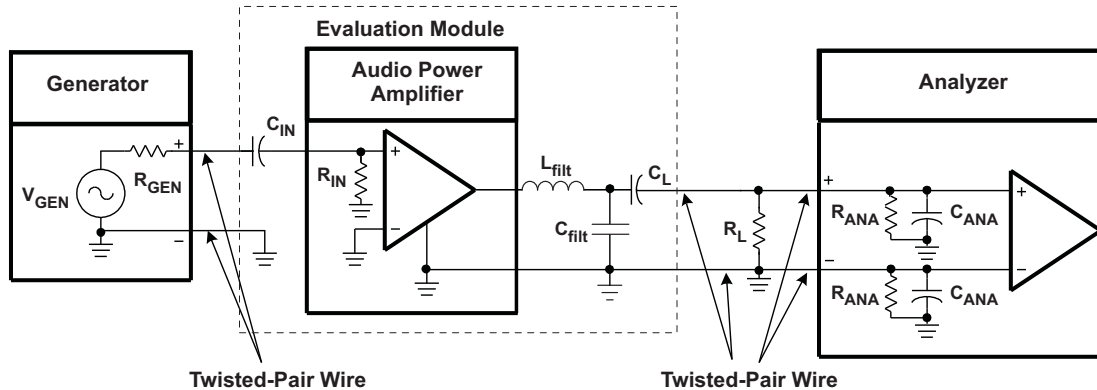


Figure 32. SE Input—SE Output Measurement Circuit

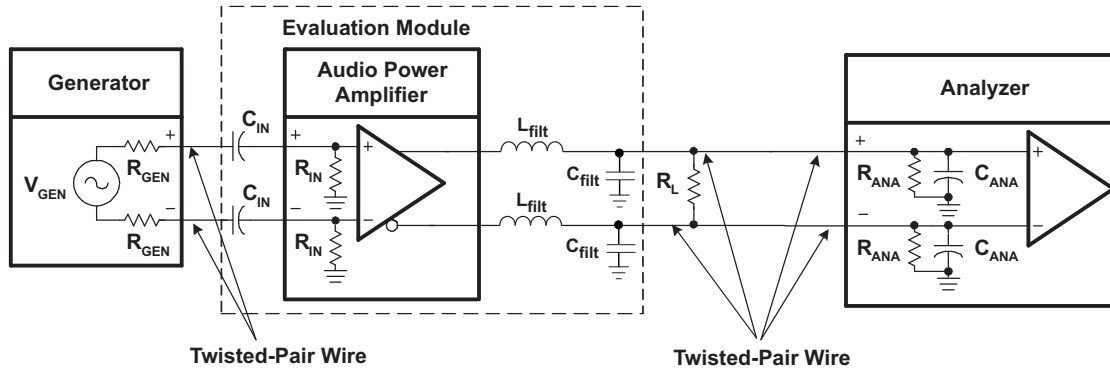
The following general rules should be followed when connecting to APAs with SE inputs and outputs:

- Use an unbalanced source to supply the input signal.
- Use an analyzer with balanced inputs.
- Use twisted-pair wire for all connections.
- Use shielding when the system environment is noisy.
- Ensure the cables from the power supply to the APA, and from the APA to the load, can handle the large currents (see Table 6).

## DIFFERENTIAL INPUT AND BTL OUTPUT (TAS5704 Mono Configuration)

Many of the class-D APAs and many class-AB APAs have differential inputs and bridge-tied-load (BTL) outputs. Differential inputs have two input pins per channel and amplify the difference in voltage between the pins. Differential inputs reduce the common-mode noise and distortion of the input circuit. BTL is a term commonly used in audio to describe differential outputs. BTL outputs have two output pins providing voltages that are 180° out of phase. The load is connected between these pins. This has the added benefits of quadrupling the output power to the load and eliminating a dc-blocking capacitor.

A block diagram of the measurement circuit is shown in Figure 33. The differential input is a balanced input, meaning the positive (+) and negative (–) pins have the same impedance to ground. Similarly, the SE output equates to a balanced output.



**Figure 33. Differential Input, BTL Output Measurement Circuit**

The generator should have balanced outputs, and the signal should be balanced for best results. An unbalanced output can be used, but it may create a ground loop that affects the measurement accuracy. The analyzer must also have balanced inputs for the system to be fully balanced, thereby cancelling out any common-mode noise in the circuit and providing the most accurate measurement.

The following general rules should be followed when connecting to APAs with differential inputs and BTL outputs:

- Use a balanced source to supply the input signal.
- Use an analyzer with balanced inputs.
- Use twisted-pair wire for all connections.
- Use shielding when the system environment is noisy.
- Ensure that the cables from the power supply to the APA, and from the APA to the load, can handle the large currents (see Table 6).

Table 6 shows the recommended wire size for the power supply and load cables of the APA system. The real concern is the dc or ac power loss that occurs as the current flows through the cable. These recommendations are based on 12-inch (30.5-cm)-long wire with a 20-kHz sine-wave signal at 25°C.

**Table 6. Recommended Minimum Wire Size for Power Cables**

P <sub>OUT</sub> (W)	R <sub>L</sub> (Ω)	AWG Size		DC POWER LOSS (mW)		AC POWER LOSS (mW)	
10	4	18	22	16	40	18	42
2	4	18	22	3.2	8	3.7	8.5
1	8	22	28	2	8	2.1	8.1
< 0.75	8	22	28	1.5	6.1	1.6	6.2

---

**REVISION HISTORY**

<b>Changes from Original (March 2008) to Revision A</b>	<b>Page</b>
<hr/> <ul style="list-style-type: none"><li>Replaced the Dissipation Ratings table with the Thermal Information table .....</li></ul> <hr/>	<hr/> <b>8</b> <hr/>

**PACKAGING INFORMATION**

Orderable Device	Status (1)	Package Type	Package Drawing	Pins	Package Qty	Eco Plan (2)	Lead finish/ Ball material (6)	MSL Peak Temp (3)	Op Temp (°C)	Device Marking (4/5)	Samples
TAS5704PAP	ACTIVE	HTQFP	PAP	64	160	RoHS & Green	NIPDAU	Level-3-260C-168 HR	0 to 85	TAS5704	<a href="#">Samples</a>
TAS5704PAPR	ACTIVE	HTQFP	PAP	64	1000	RoHS & Green	NIPDAU	Level-3-260C-168 HR	0 to 85	TAS5704	<a href="#">Samples</a>

(1) The marketing status values are defined as follows:

**ACTIVE:** Product device recommended for new designs.

**LIFEBUY:** TI has announced that the device will be discontinued, and a lifetime-buy period is in effect.

**NRND:** Not recommended for new designs. Device is in production to support existing customers, but TI does not recommend using this part in a new design.

**PREVIEW:** Device has been announced but is not in production. Samples may or may not be available.

**OBSOLETE:** TI has discontinued the production of the device.

(2) **RoHS:** TI defines "RoHS" to mean semiconductor products that are compliant with the current EU RoHS requirements for all 10 RoHS substances, including the requirement that RoHS substance do not exceed 0.1% by weight in homogeneous materials. Where designed to be soldered at high temperatures, "RoHS" products are suitable for use in specified lead-free processes. TI may reference these types of products as "Pb-Free".

**RoHS Exempt:** TI defines "RoHS Exempt" to mean products that contain lead but are compliant with EU RoHS pursuant to a specific EU RoHS exemption.

**Green:** TI defines "Green" to mean the content of Chlorine (Cl) and Bromine (Br) based flame retardants meet JS709B low halogen requirements of <=1000ppm threshold. Antimony trioxide based flame retardants must also meet the <=1000ppm threshold requirement.

(3) MSL, Peak Temp. - The Moisture Sensitivity Level rating according to the JEDEC industry standard classifications, and peak solder temperature.

(4) There may be additional marking, which relates to the logo, the lot trace code information, or the environmental category on the device.

(5) Multiple Device Markings will be inside parentheses. Only one Device Marking contained in parentheses and separated by a "~" will appear on a device. If a line is indented then it is a continuation of the previous line and the two combined represent the entire Device Marking for that device.

(6) Lead finish/Ball material - Orderable Devices may have multiple material finish options. Finish options are separated by a vertical ruled line. Lead finish/Ball material values may wrap to two lines if the finish value exceeds the maximum column width.

**Important Information and Disclaimer:**The information provided on this page represents TI's knowledge and belief as of the date that it is provided. TI bases its knowledge and belief on information provided by third parties, and makes no representation or warranty as to the accuracy of such information. Efforts are underway to better integrate information from third parties. TI has taken and continues to take reasonable steps to provide representative and accurate information but may not have conducted destructive testing or chemical analysis on incoming materials and chemicals. TI and TI suppliers consider certain information to be proprietary, and thus CAS numbers and other limited information may not be available for release.

In no event shall TI's liability arising out of such information exceed the total purchase price of the TI part(s) at issue in this document sold by TI to Customer on an annual basis.





**TAPE AND REEL INFORMATION**

**QUADRANT ASSIGNMENTS FOR PIN 1 ORIENTATION IN TAPE**


\*All dimensions are nominal

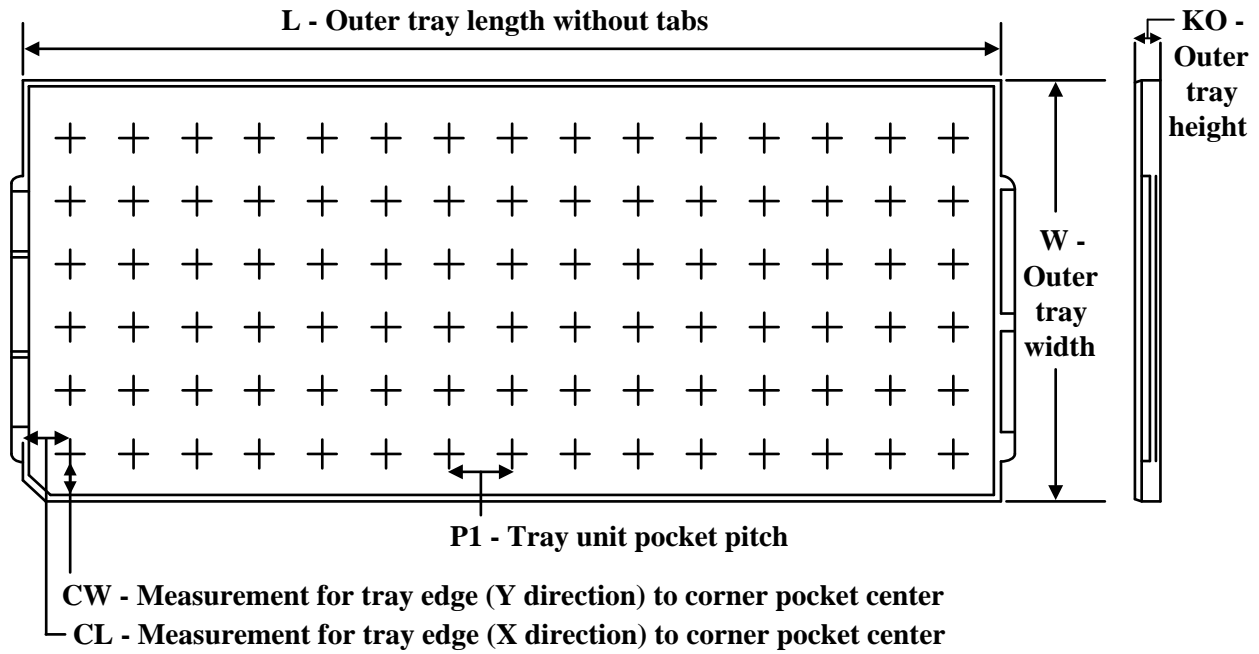
Device	Package Type	Package Drawing	Pins	SPQ	Reel Diameter (mm)	Reel Width W1 (mm)	A0 (mm)	B0 (mm)	K0 (mm)	P1 (mm)	W (mm)	Pin1 Quadrant
TAS5704PAPR	HTQFP	PAP	64	1000	330.0	24.4	13.0	13.0	1.5	16.0	24.0	Q2

**TAPE AND REEL BOX DIMENSIONS**


\*All dimensions are nominal

Device	Package Type	Package Drawing	Pins	SPQ	Length (mm)	Width (mm)	Height (mm)
TAS5704PAPR	HTQFP	PAP	64	1000	350.0	350.0	43.0

**TRAY**



Chamfer on Tray corner indicates Pin 1 orientation of packed units.

\*All dimensions are nominal

Device	Package Name	Package Type	Pins	SPQ	Unit array matrix	Max temperature (°C)	L (mm)	W (mm)	K0 (µm)	P1 (mm)	CL (mm)	CW (mm)
TAS5704PAP	PAP	HTQFP	64	160	8 x 20	150	315	135.9	7620	15.2	13.1	13

## GENERIC PACKAGE VIEW

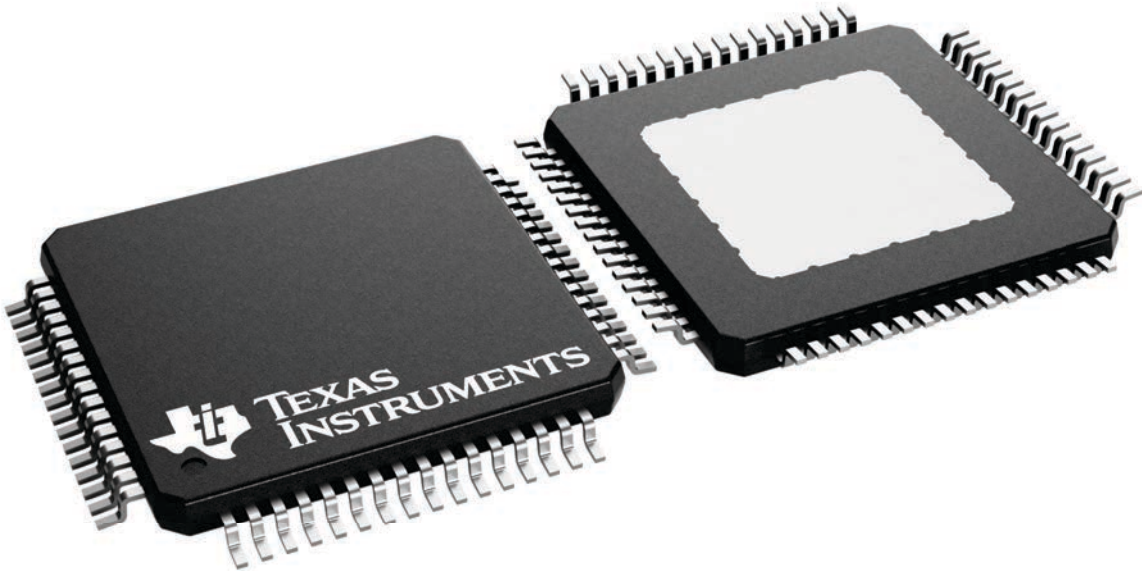
**PAP 64**

**HTQFP - 1.2 mm max height**

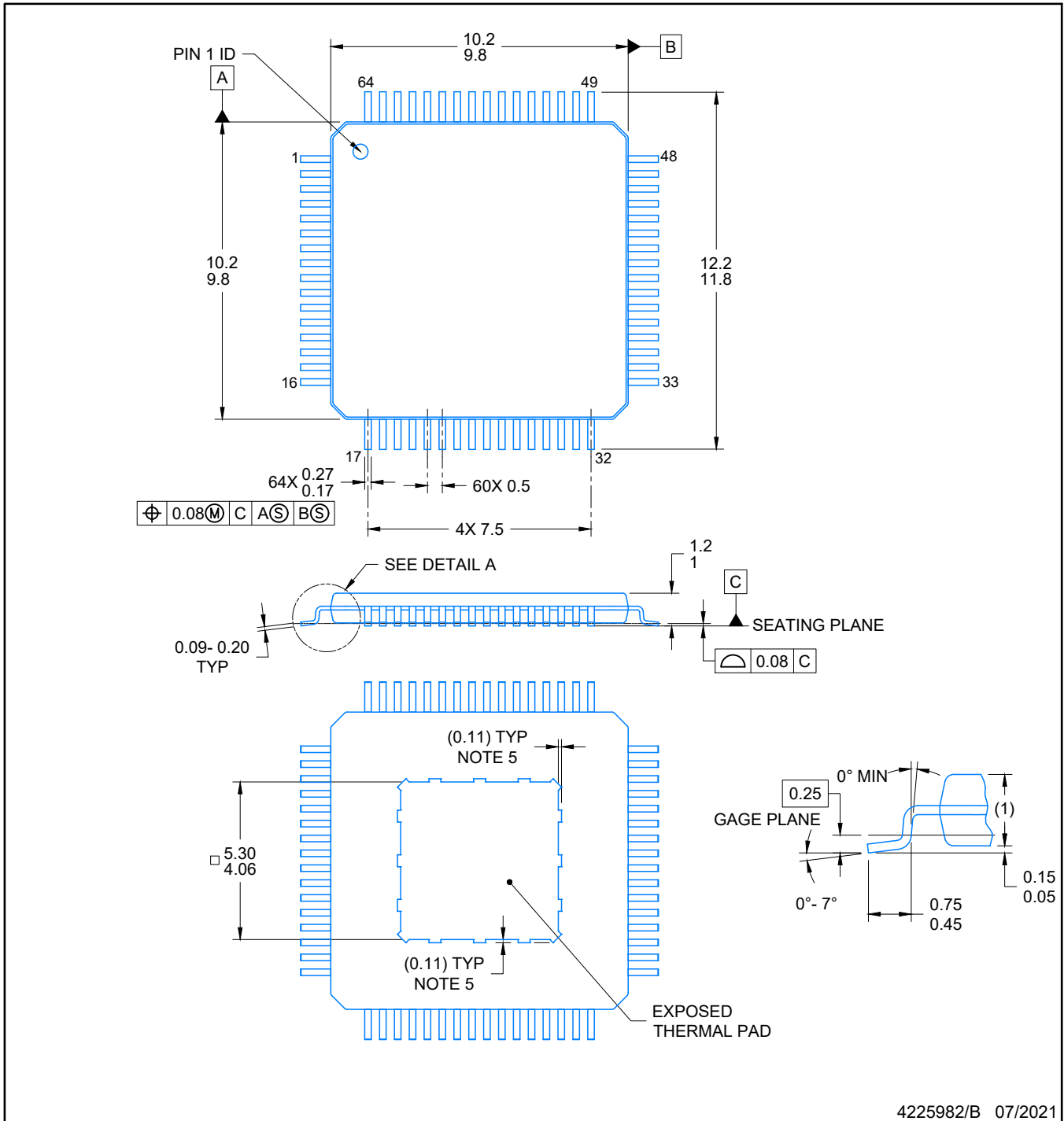
10 x 10, 0.5 mm pitch

QUAD FLATPACK

This image is a representation of the package family, actual package may vary.  
Refer to the product data sheet for package details.



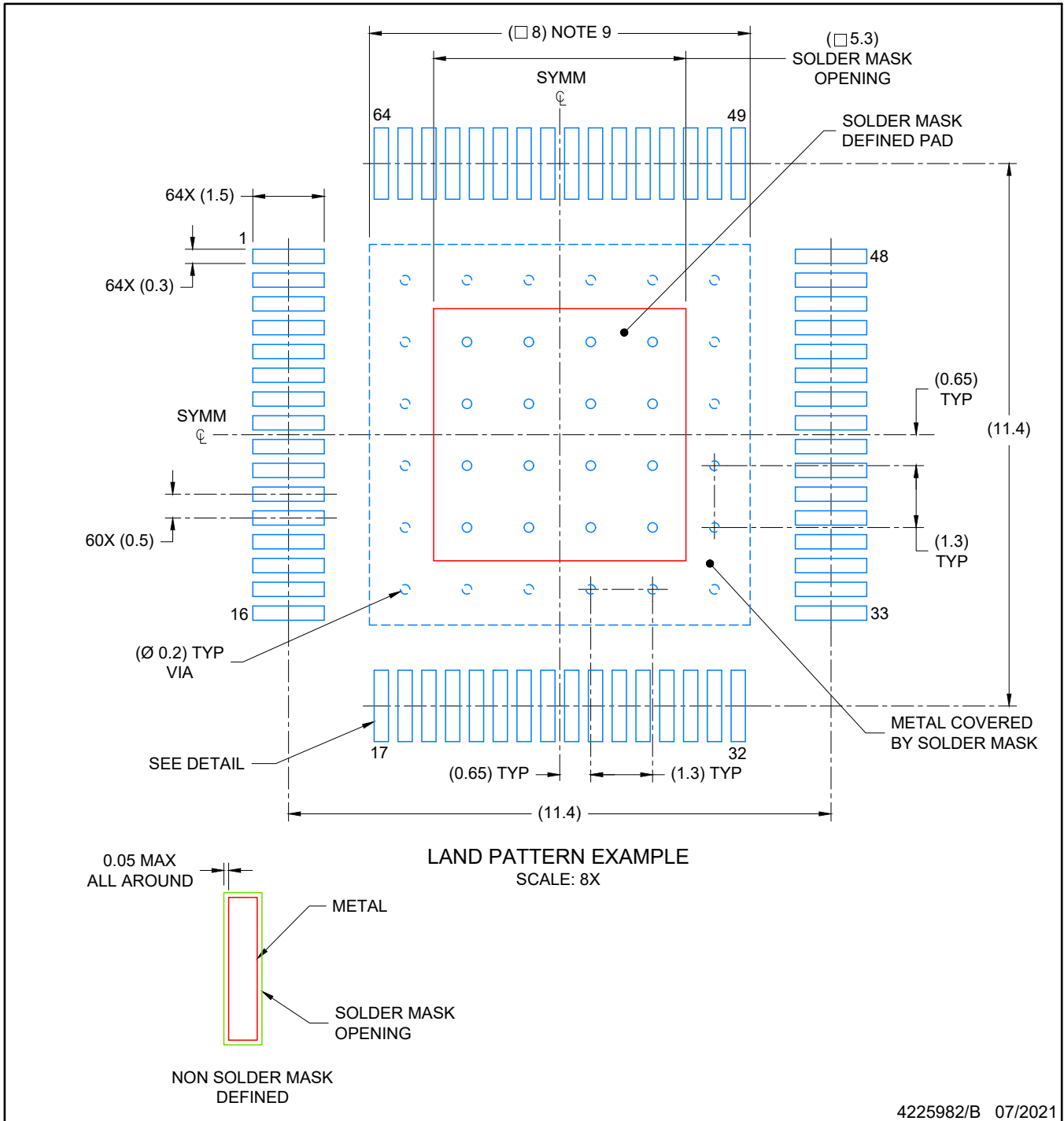
4226442/A



NOTES:

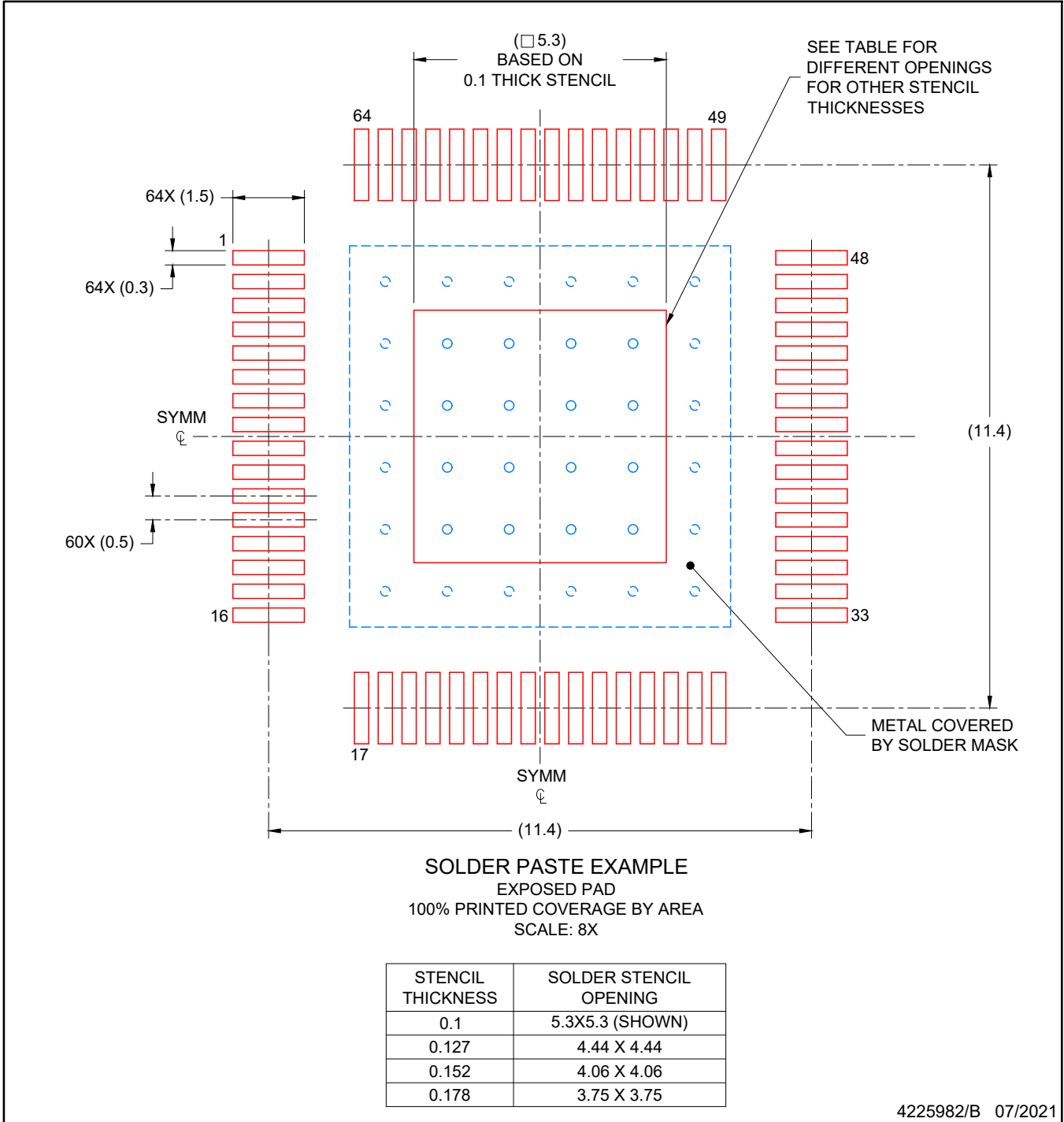
PowerPAD is a trademark of Texas Instruments

1. All linear dimensions are in millimeters. Any dimensions in parenthesis are for reference only. Dimensioning and tolerancing per ASME Y14.5M.
2. This drawing is subject to change without notice.
3. Body length does not include mold flash, protrusions, or gate burrs. Mold flash, protrusions, or gate burrs shall not exceed 0.15 per side.
4. Body width does not include interlead flash. Interlead flash shall not exceed 0.50 per side.
5. Strap features may not be present.
6. The package thermal pad must be soldered to the printed circuit board for thermal and mechanical performance.



NOTES: (continued)

7. Publication IPC-7351 may have alternate designs.
8. Solder mask tolerances between and around signal pads can vary based on board fabrication site.
9. This package is designed to be soldered to a thermal pad on the board. Refer to technical brief, PowerPAD Thermally Enhanced Package, Texas Instruments Literature No. SLMA002 ([www.ti.com/lit/slma002](http://www.ti.com/lit/slma002)) and SLMA004 ([www.ti.com/lit/slma004](http://www.ti.com/lit/slma004)).



NOTES: (continued)

9. Laser cutting apertures with trapezoidal walls and rounded corners may offer better paste release. IPC-7525 may have alternate design recommendations.
10. Board assembly site may have different recommendations for stencil design.



## IMPORTANT NOTICE AND DISCLAIMER

TI PROVIDES TECHNICAL AND RELIABILITY DATA (INCLUDING DATA SHEETS), DESIGN RESOURCES (INCLUDING REFERENCE DESIGNS), APPLICATION OR OTHER DESIGN ADVICE, WEB TOOLS, SAFETY INFORMATION, AND OTHER RESOURCES "AS IS" AND WITH ALL FAULTS, AND DISCLAIMS ALL WARRANTIES, EXPRESS AND IMPLIED, INCLUDING WITHOUT LIMITATION ANY IMPLIED WARRANTIES OF MERCHANTABILITY, FITNESS FOR A PARTICULAR PURPOSE OR NON-INFRINGEMENT OF THIRD PARTY INTELLECTUAL PROPERTY RIGHTS.

These resources are intended for skilled developers designing with TI products. You are solely responsible for (1) selecting the appropriate TI products for your application, (2) designing, validating and testing your application, and (3) ensuring your application meets applicable standards, and any other safety, security, regulatory or other requirements.

These resources are subject to change without notice. TI grants you permission to use these resources only for development of an application that uses the TI products described in the resource. Other reproduction and display of these resources is prohibited. No license is granted to any other TI intellectual property right or to any third party intellectual property right. TI disclaims responsibility for, and you will fully indemnify TI and its representatives against, any claims, damages, costs, losses, and liabilities arising out of your use of these resources.

TI's products are provided subject to [TI's Terms of Sale](#) or other applicable terms available either on [ti.com](https://www.ti.com) or provided in conjunction with such TI products. TI's provision of these resources does not expand or otherwise alter TI's applicable warranties or warranty disclaimers for TI products.

TI objects to and rejects any additional or different terms you may have proposed.

Mailing Address: Texas Instruments, Post Office Box 655303, Dallas, Texas 75265  
Copyright © 2024, Texas Instruments Incorporated