

## 3.3-V LDO AND DUAL SWITCH FOR USB BUS-POWERED HUB POWER MANAGEMENT

### FEATURES

- Complete Power Management Solution for USB Bus-Powered Hubs
- 3.3-V 200 mA Low-Dropout Voltage Regulator
- Two 5-V 340-m $\Omega$  (Typ) High-Side MOSFETs
- Independent Thermal- and Short-Circuit Protection for LDO and Each Switch
- Overcurrent Indicator With Transient Filter
- 2.9-V to 5.5-V Operating Range
- CMOS- and TTL-Compatible Enable Inputs
- 75- $\mu$ A (Typ) Supply Current
- Available in 8-Pin MSOP (PowerPAD™)
- -40°C to 85°C Ambient Temperature Range

### APPLICATIONS

- USB Bus-Powered Hubs
  - Keyboards
  - Monitors
  - Hub Boxes

### DESCRIPTION

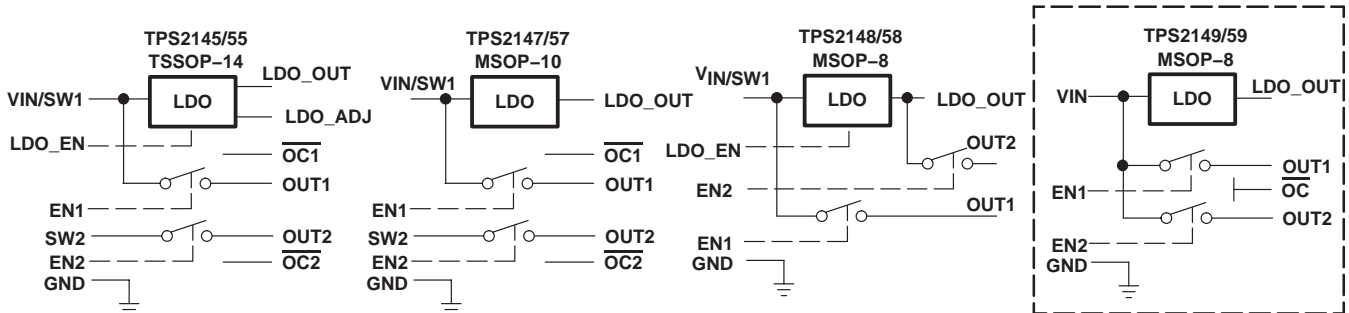
The TPS2149 incorporates two power distribution switches and an LDO in one small package, providing a USB bus-powered hub power management solution that saves up to 60% in board space over typical implementations.

The TPS2149 meets USB 2.0 bus-powered hub requirements. An integrated LDO regulates the 5-V bus power down to 3.3 V for the USB controller. The two MOSFET switches provide power to the downstream ports. With independent enables, the downstream ports remain unpowered until the hub completes enumeration.

Each power-distribution switch is capable of supplying 200 mA of continuous current, and the independent logic enables are compatible with 5-V logic and 3-V logic. The switches and the LDO are designed with controlled rise times and fall times to minimize current surges.

The TPS2149 has active-low enables while the TPS2159 has active-high enables.

### LDO and dual switch family selection guide and schematics



Please be aware that an important notice concerning availability, standard warranty, and use in critical applications of Texas Instruments semiconductor products and disclaimers thereto appears at the end of this data sheet.

PowerPAD is a trademark of Texas Instruments.

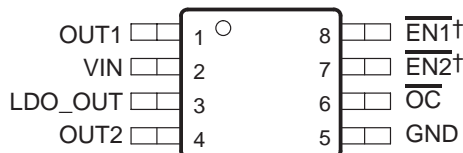
PRODUCTION DATA information is current as of publication date. Products conform to specifications per the terms of Texas Instruments standard warranty. Production processing does not necessarily include testing of all parameters.

**AVAILABLE OPTIONS**

T <sub>A</sub>	DESCRIPTION	PACKAGE AND PIN COUNT	PACKAGED DEVICES	
			ACTIVE LOW (SWITCH)	ACTIVE HIGH (SWITCH)
-40°C to 85°C	Adjustable LDO with LDO enable	TSSOP-14	TPS2145IPWP	TPS2155IPWP
	3.3-V fixed LDO	MSOP-10	TPS2147IDGQ	TPS2157IDGQ
	3.3-V Fixed LDO with LDO enable and LDO output switch	MSOP-8	TPS2148IDGN	TPS2158IDGN
	3.3-V Fixed LDO, shared input with switches	MSOP-8	TPS2149IDGN	TPS2159IDGN

NOTE: All options available taped and reeled. Add an R suffix (e.g. TPS2145IPWPR)

**TPS2149, TPS2159**  
**MSOP (DGN) PACKAGE**  
**(TOP VIEW)**



† Pins 7 and 8 are active high for TPS2159.

**absolute maximum ratings over operating free-air temperature (unless otherwise noted)†**

Input voltage range: V <sub>I(VIN)</sub> , V <sub>I(ENx)</sub>	-0.3 V to 6 V
Output voltage range: V <sub>O(OUTx)</sub> , V <sub>O(LDO_OUT)</sub> , V <sub>O(OC)</sub>	-0.3 V to 6 V
Maximum output current, I <sub>O(OC)</sub>	±10 mA
Continuous output current, I <sub>O(OUT)</sub> , I <sub>O(LDO_OUT)</sub>	Internally limited
Continuous total power dissipation	See Dissipation Rating Table
Operating virtual-junction temperature range, T <sub>J</sub>	-40°C to 110°C
Storage temperature range, T <sub>stg</sub>	-65°C to 150°C
Lead temperature soldering 1,6 mm (1/16 inch) from case for 10 seconds	260°C
Electrostatic discharge (ESD) protection: Human body model	2 kV
Charged device model (CDM)	1 kV

† Stresses beyond those listed under “absolute maximum ratings” may cause permanent damage to the device. These are stress ratings only, and functional operation of the device at these or any other conditions beyond those indicated under “recommended operating conditions” is not implied. Exposure to absolute-maximum-rated conditions for extended periods may affect device reliability.

‡ All voltages are with respect to GND.

**DISSIPATION RATING TABLE**

PACKAGE	T <sub>A</sub> ≤ 25°C POWER RATING	DERATING FACTOR ABOVE T <sub>A</sub> = 25°C	T <sub>A</sub> = 70°C POWER RATING	T <sub>A</sub> = 85°C POWER RATING
MSOP8	1455.5 mW	17.1 mW/°C	684.9 mW	428.08 mW

**recommended operating conditions**

		MIN	MAX	UNIT
Input voltage	$V_{I(VIN)}$	2.9	5.5	V
	$V_{I(ENx)}$	0	5.5	
Continuous output current, $I_O$	LDO_OUT		200	mA
	OUT1, OUT2		150	
Output current limit, $I_{O(LMT)}$	LDO_OUT	250	450	mA
	OUT1, OUT2	200	400	
Operating virtual-junction temperature range, $T_J$		-40	100	°C

**electrical characteristics over recommended operating junction-temperature range,  
 $2.9\text{ V} \leq V_{I(VIN)} \leq 5.5\text{ V}$ ,  $T_J = -40^\circ\text{C}$  to  $100^\circ\text{C}$  (unless otherwise noted)**

**general**

PARAMETER	TEST CONDITIONS		MIN	TYP	MAX	UNIT
Off-state supply current		$V_{I(ENx)} = 5\text{ V}$ (inactive), $V_{O(LDO\_OUT)} = \text{no load}$ , $V_{O(OUTx)} = \text{no load}$			100	$\mu\text{A}$
Forward leakage current (power switches only)	$V_{I(VIN)} = 5\text{ V}$	$V_{I(ENx)} = 5\text{ V}$ (inactive), $V_{O(LDO\_OUT)} = \text{no load}$ , $V_{O(OUTx)} = 0\text{ V}$ (measured from outputs to ground)			1	$\mu\text{A}$
$I_I$ Total input current at VIN	$V_{I(VIN)} = 5\text{ V}$ , No load on OUTx, No load on LDO_OUT	ENx = on (active)			150	$\mu\text{A}$
		ENx = off (inactive)			100	$\mu\text{A}$

**power switches**

PARAMETER	TEST CONDITIONS		MIN	TYP	MAX	UNIT
$r_{DS(on)}$ Static drain-source on-state resistance, VIN to OUTx	$I_{O(LDO\_OUT)} = 200\text{ mA}$ , $I_{O(OUT1)} \text{ and } I_{O(OUT2)} = 150\text{ mA}$ , $T_J = -40^\circ\text{C}$ to $100^\circ\text{C}$				680	m $\Omega$
	$I_{O(LDO\_OUT)} = 200\text{ mA}$ , $I_{O(OUT1)} \text{ and } I_{O(OUT2)} = 150\text{ mA}$ , $T_J = 25^\circ\text{C}$			340		
$I_{lkg(R)}$ Reverse leakage current at OUTx	$V_{O(OUTx)} = 5\text{ V}$	$V_{I(ENx)} = 5\text{ V}$ , $V_{I(ENx)} = 0\text{ V}$ , $V_{I(VIN)} = 5\text{ V}$			10	$\mu\text{A}$
		$V_{I(ENx)} = 5\text{ V}$ , $V_{I(ENx)} = 0\text{ V}$ , $V_{I(VIN)} = 2.9\text{ V}$			10	
		$V_{I(ENx)} = 5\text{ V}$ , $V_{I(ENx)} = 0\text{ V}$ , $V_{I(VIN)} = 0\text{ V}$			10	
$I_{OS}$ Short circuit output current	OUTx connected to GND, device enabled into short circuit		0.2		0.4	A
Delay time for asserting $\overline{OC}$ flag	From IOUTx at 95% of current limit level to 50% $\overline{OC}$ .			5.5		ms
Delay time for deasserting $\overline{OC}$ flag	From IOUTx at 95% of current limit level to 50% $\overline{OC}$ .			10.5		ms

NOTE 1: Specified by design, not tested in production.

**electrical characteristics over recommended operating junction-temperature range,  
2.9 V ≤ V<sub>I(VIN)</sub> ≤ 5.5 V, T<sub>J</sub> = -40°C to 100°C (unless otherwise noted)**

**timing parameters, power switches**

PARAMETER		TEST CONDITIONS		MIN	TYP	MAX	UNIT
t <sub>on</sub>	Turnon time, OUTx switch, (see Note 1)	C <sub>L</sub> = 100 μF	R <sub>L</sub> = 33 Ω	0.5		6	ms
		C <sub>L</sub> = 1 μF		0.1		3	
t <sub>off</sub>	Turnoff time, OUTx switch (see Note 1)	C <sub>L</sub> = 100 μF	R <sub>L</sub> = 33 Ω	5.5		10	
		C <sub>L</sub> = 1 μF		0.05		2	
t <sub>r</sub>	Rise time, OUTx switch (see Note 1)	C <sub>L</sub> = 100 μF	R <sub>L</sub> = 33 Ω	0.5		5	
		C <sub>L</sub> = 1 μF		0.1		2	
t <sub>f</sub>	Fall time, OUTx switch (see Note 1)	C <sub>L</sub> = 100 μF	R <sub>L</sub> = 33 Ω	5.5		9	
		C <sub>L</sub> = 1 μF		0.05		1.2	

NOTE 1. Specified by design, not tested in production.

**undervoltage lockout at VIN**

PARAMETER	TEST CONDITIONS	MIN	TYP	MAX	UNIT
UVLO Threshold		2.2		2.85	V
Hysteresis (see Note 1)			260		mV
Deglitch (see Note 1)		50			μs

NOTE 1. Specified by design, not tested in production.

**electrical characteristics over recommended operating junction-temperature range,  
2.9 V ≤ V<sub>I(VIN)</sub> ≤ 5.5 V, V<sub>I(ENx)</sub> = 0 V, V<sub>I(LDO\_EN)</sub> = 5 V, C<sub>L(LDO\_OUT)</sub> = 10 μF, T<sub>J</sub> = -40°C to 100°C  
(unless otherwise noted)**

**3.3 V LDO**

PARAMETER	TEST CONDITIONS†	MIN	TYP	MAX	UNIT
V <sub>O</sub>	Output voltage, dc V <sub>I(VIN)</sub> = 4.25 V to 5.25 V, I <sub>O(LDO_OUT)</sub> = 0.5 mA to 200 mA	3.20	3.3	3.40	V
Dropout voltage	V <sub>I(VIN)</sub> = 3.2 V, I <sub>O(OUT1)</sub> = 150 mA, I <sub>O(LDO_OUT)</sub> = 200 mA			0.35	V
Line regulation voltage (see Note 1)	V <sub>I(VIN)</sub> = 4.25 V to 5.25 V, I <sub>O(LDO_OUT)</sub> = 5 mA			0.1	%/V
Load regulation voltage (see Note 1)	V <sub>I(VIN)</sub> = 4.25 V, I <sub>O(LDO_OUT)</sub> = 5 mA to 200 mA		0.4	1%	
I <sub>OS</sub>	Short-circuit current limit V <sub>I(VIN)</sub> = 4.25 V, LDO_OUT connected to GND	0.275	0.33	0.55	A
I <sub>lkg(R)</sub>	Reverse leakage current into LDO_OUT V <sub>O(LDO_OUT)</sub> = 3.3 V, V <sub>I(IN)</sub> = 0 V		10		μA
	V <sub>O(LDO_OUT)</sub> = 5.5 V, V <sub>I(IN)</sub> = 0 V		10		μA
Power supply rejection	f = 1 kHz, C <sub>L(LDO_OUT)</sub> = 4.7 μF, ESR = 0.25 Ω, I <sub>O</sub> = 5 mA, V <sub>INp-p</sub> = 100 mV		50		dB
Ramp-up time, LDO_OUT (0% to 90%)	V <sub>IN</sub> ramping up from 10% to 90% in 0.1 ms, R <sub>L</sub> = 16 Ω, C <sub>L(LDO_OUT)</sub> = 10 μF	0.1		1	ms

† Pulse-testing techniques maintain junction temperature close to ambient temperature; thermal effects must be taken into account separately.

NOTES: 1. Specified by design, not tested in production.

**electrical characteristics over recommended operating junction-temperature range,  
2.9 V ≤ V<sub>I(VIN)</sub> ≤ 5.5 V, V<sub>I(ENx)</sub> = 0 V, T<sub>J</sub> = -40°C to 100°C (unless otherwise noted)**

**enable input,  $\overline{\text{ENx}}$  (active low)**

PARAMETER		TEST CONDITIONS	MIN	TYP	MAX	UNIT
V <sub>IH</sub>	High-level input voltage		2			V
V <sub>IL</sub>	Low-level input voltage				0.8	V
I <sub>I</sub>	Input current, pullup (source)	V <sub>I(<math>\overline{\text{ENx}}</math>)</sub> = 0 V			5	μA

**enable input, ENx (active high)**

PARAMETER		TEST CONDITIONS	MIN	TYP	MAX	UNIT
V <sub>IH</sub>	High-level input voltage		2			V
V <sub>IL</sub>	Low-level input voltage				0.8	V
I <sub>I</sub>	Input current, pulldown (sink)	V <sub>I(ENx)</sub> = 5 V			5	μA

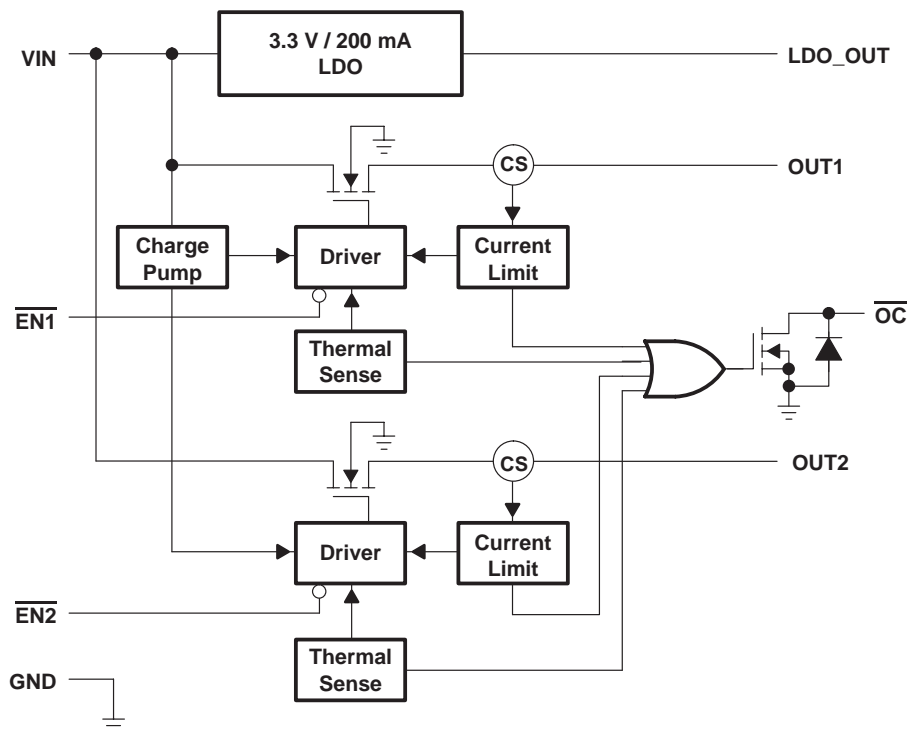
**logic output,  $\overline{\text{OC}}$**

PARAMETER		TEST CONDITIONS	MIN	TYP	MAX	UNIT
Current sinking at V <sub>O</sub> = 0.4 V			1			mA

**thermal shutdown characteristics**

PARAMETER		TEST CONDITIONS	MIN	TYP	MAX	UNIT
First thermal shutdown (shuts down switch or regulator in overcurrent)		Occurs at or above specified temperature when overcurrent is present.	120			°C
Recovery from thermal shutdown			110			
Second thermal shutdown (shuts down all switches and regulator)		Occurs on rising temperature, irrespective of overcurrent.	155			
Second thermal shutdown hysteresis				10		

**TPS2149 functional block diagram**



**Terminal Functions**

TERMINAL		I/O	DESCRIPTION	
NAME	NO.			
	TPS2149	TPS2159		
EN1		8	I	Logic level enable to transfer power to OUT1
$\overline{\text{EN1}}$	8			
EN2		7	I	Logic level enable to transfer power to OUT2
$\overline{\text{EN2}}$	7			
GND	5	5		Ground
LDO_OUT	3	3	O	LDO output
OC	6	6	O	Overcurrent status flag for OUT1 and OUT2. Open drain output.
OUT1	1	1	O	Switch 1 output
OUT2	4	4		Switch 2 output
VIN	2	2	I	Input for LDO switch 1 and switch 2; device supply voltage

---

## detailed description

### VIN

The VIN serves as the input to the internal LDO and as the input to both N-channel MOSFETs. The 3.3-V LDO has a dropout voltage of 0.35 V and is rated for 200 mA of continuous current. The power switches are N-channel MOSFETs with a maximum on-state resistance of 580 mΩ per switch. Configured as high-side switches, the power switches prevent current flow from OUT to IN and IN to OUT when disabled. The power switches are rated at 150 mA, continuous current.

### OUTx

OUT1 and OUT2 are the outputs from the internal power-distribution switches.

### LDO\_OUT

LDO\_OUT is the output of the internal 200-mA LDO.

### enable ( $\overline{ENx}$ , ENx)

The logic enable disables the power switch. Both switches have independent enables and are compatible with both TTL and CMOS logic.

### overcurrent ( $\overline{OC}$ )

The  $\overline{OC}$  open drain output is asserted (active low) when an overcurrent or overtemperature condition is encountered. The output will remain asserted until the overcurrent or overtemperature condition is removed.

### current sense

A sense FET monitors the current supplied to the load. Current is measured more efficiently by the sense FET than by conventional resistance methods. When an overload or short circuit is encountered, the current-sense circuitry sends a control signal to the driver. The driver in turn reduces the gate voltage and drives the power FET into its saturation region, which switches the output into a constant-current mode and holds the current constant while varying the voltage on the load.

### thermal sense

A dual-threshold thermal trip is implemented to allow fully independent operation of the power distribution switches. In an overcurrent or short-circuit condition, the junction temperature rises. When the die temperature rises to approximately 120°C, the internal thermal sense circuitry determines which power switch is in an overcurrent condition and turns off that switch, thus isolating the fault without interrupting operation of the adjacent power switch. Because hysteresis is built into the thermal sense, the switch turns back on after the device has cooled approximately 10 degrees. The switch continues to cycle off and on until the fault is removed.

### undervoltage lockout

A voltage sense circuit monitors the input voltage. When the input voltage is below approximately 2.5 V, a control signal turns off the power switch.

PARAMETER MEASUREMENT INFORMATION

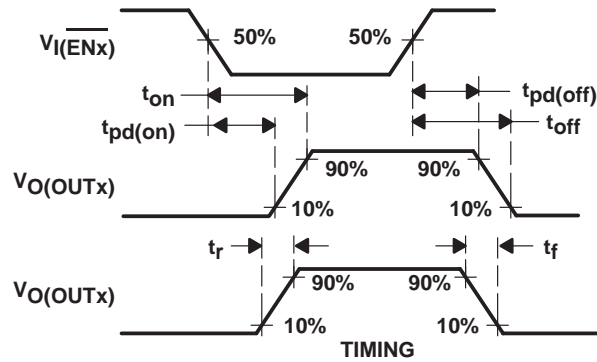


Figure 1. Timing and Internal Voltage Regulator Transition Waveforms

TYPICAL CHARACTERISTICS

SWITCH TURNON DELAY AND RISE TIME WITH 1- $\mu$ F LOAD

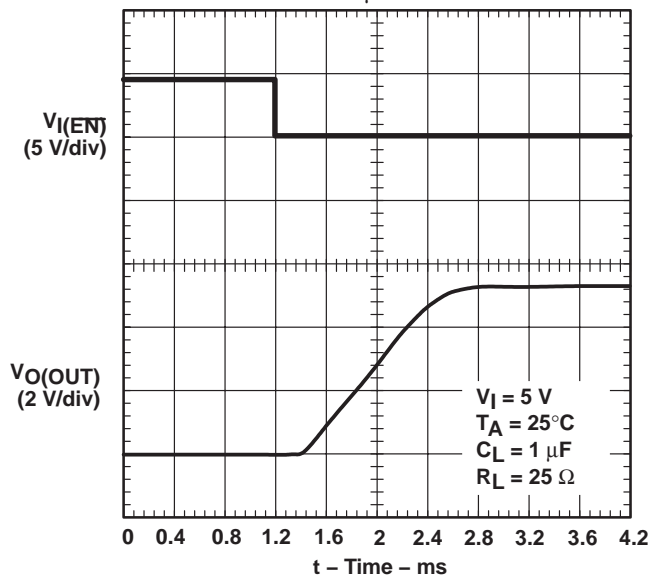


Figure 2

SWITCH TURNOFF DELAY AND FALL TIME WITH 1- $\mu$ F LOAD

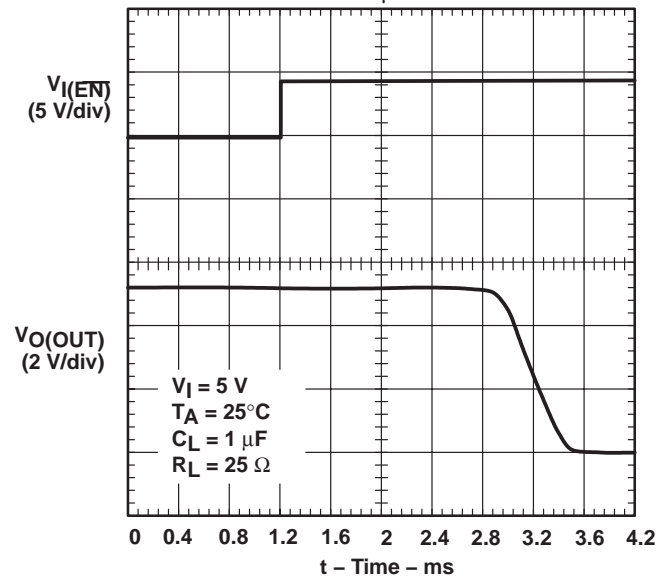


Figure 3



TYPICAL CHARACTERISTICS

SWITCH TURNON DELAY AND RISE TIME  
WITH 120- $\mu$ F LOAD

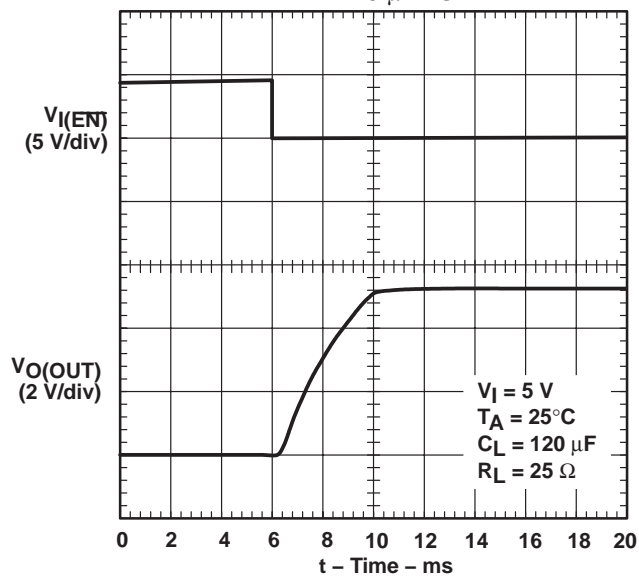


Figure 4

SWITCH TURNOFF DELAY AND FALL TIME  
WITH 120- $\mu$ F LOAD

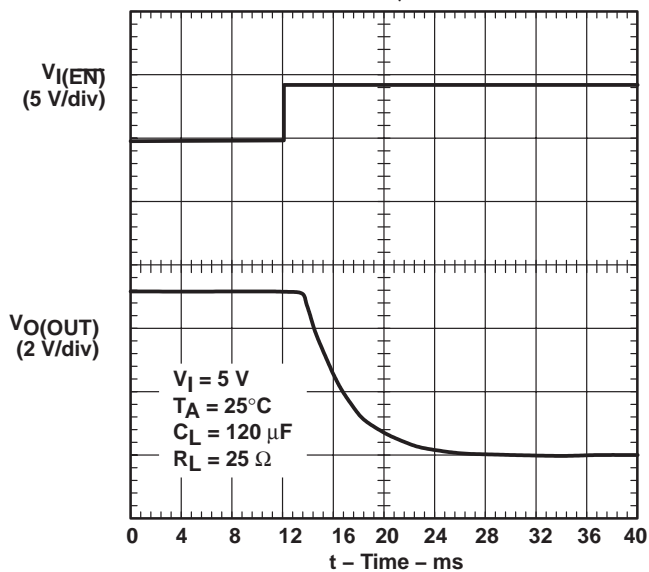


Figure 5

SHORT-CIRCUIT CURRENT, SWITCH  
ENABLED INTO A SHORT

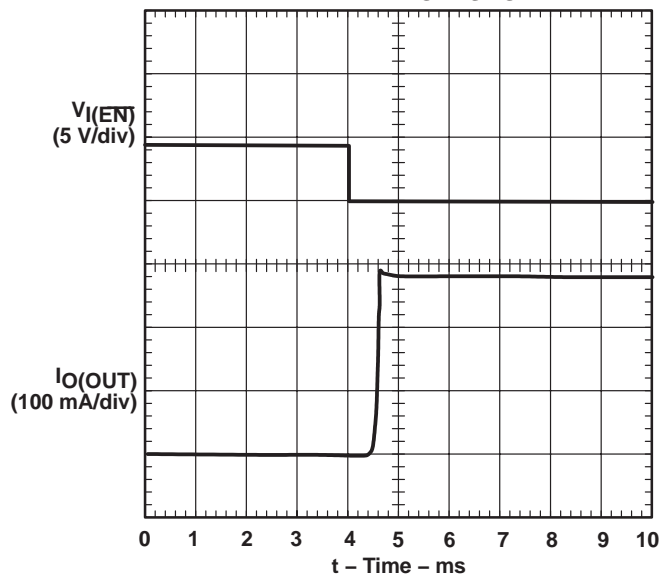


Figure 6

LDO TURNON DELAY AND RISE TIME  
WITH 4.7- $\mu$ F LOAD

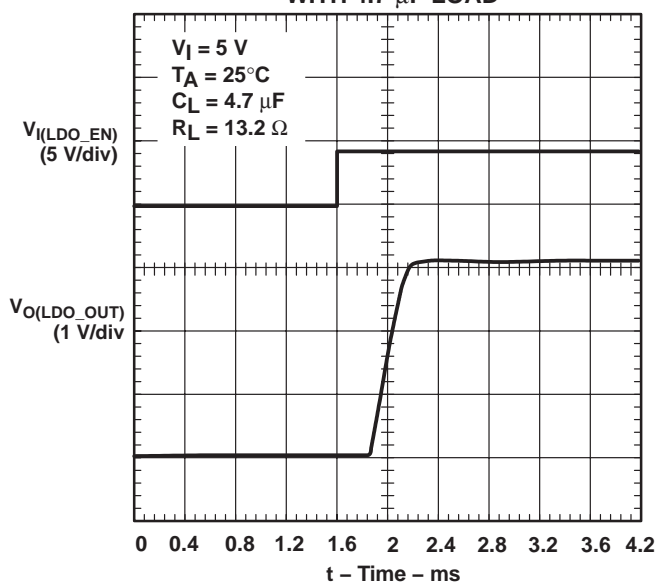


Figure 7

TYPICAL CHARACTERISTICS

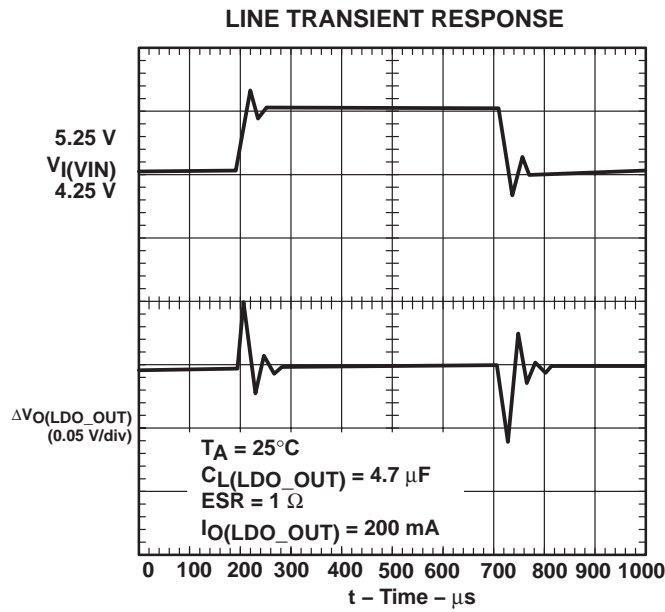


Figure 8

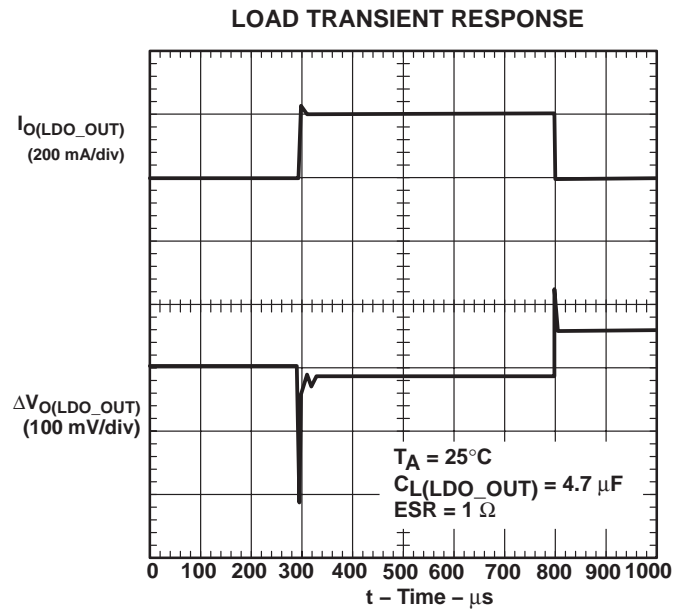


Figure 9

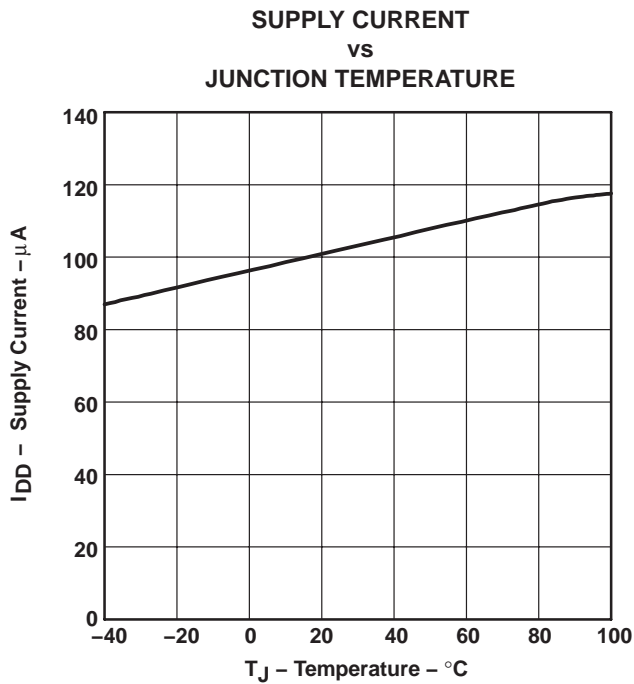


Figure 10

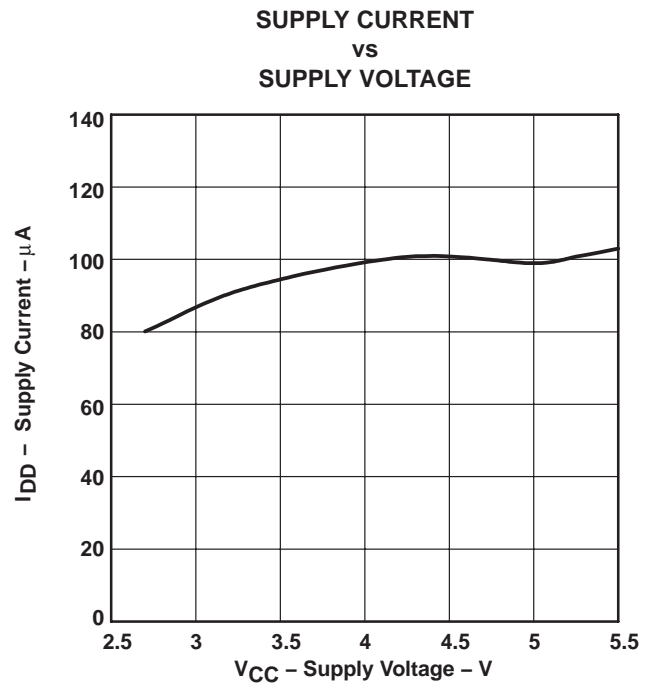


Figure 11

TYPICAL CHARACTERISTICS

STATIC DRAIN-SOURCE ON-STATE RESISTANCE  
vs  
JUNCTION TEMPERATURE

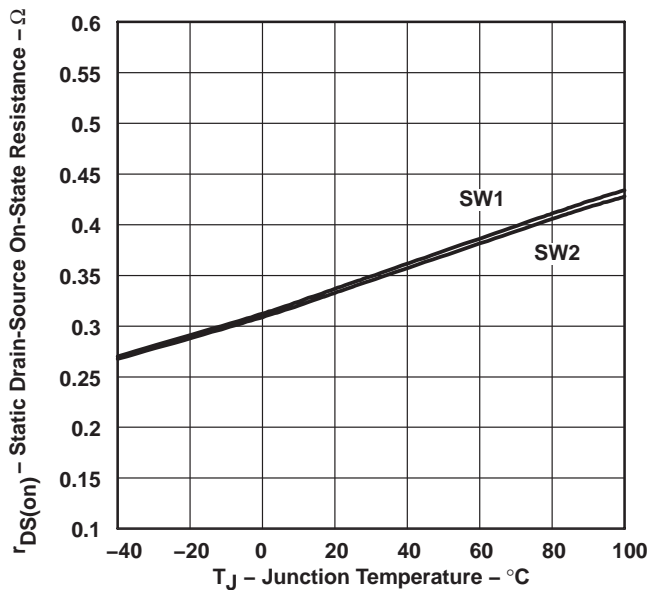


Figure 12

STATIC DRAIN-SOURCE ON-STATE RESISTANCE  
vs  
SUPPLY VOLTAGE

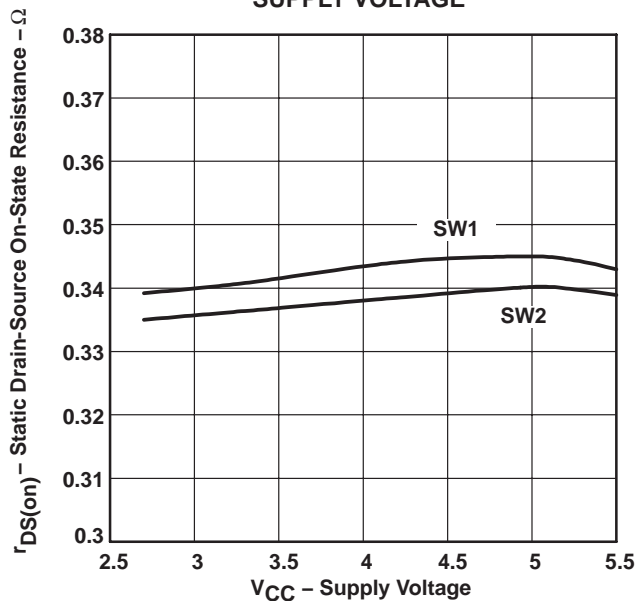


Figure 13

SHORT CIRCUIT CURRENT  
vs  
JUNCTION TEMPERATURE

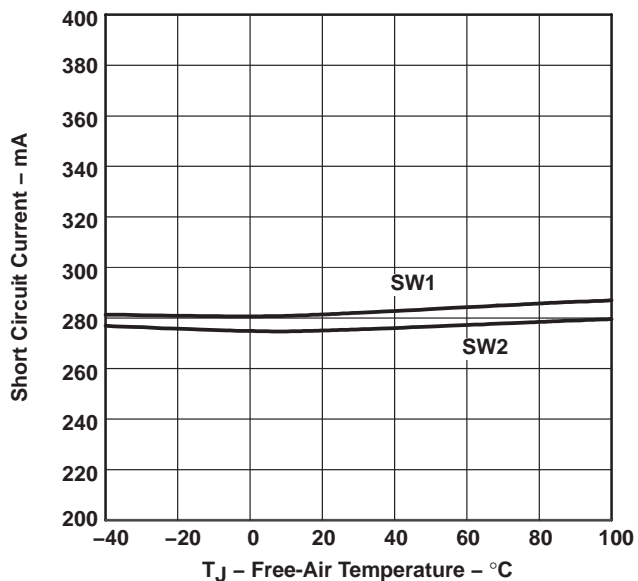


Figure 14

SHORT CIRCUIT CURRENT  
vs  
SUPPLY VOLTAGE

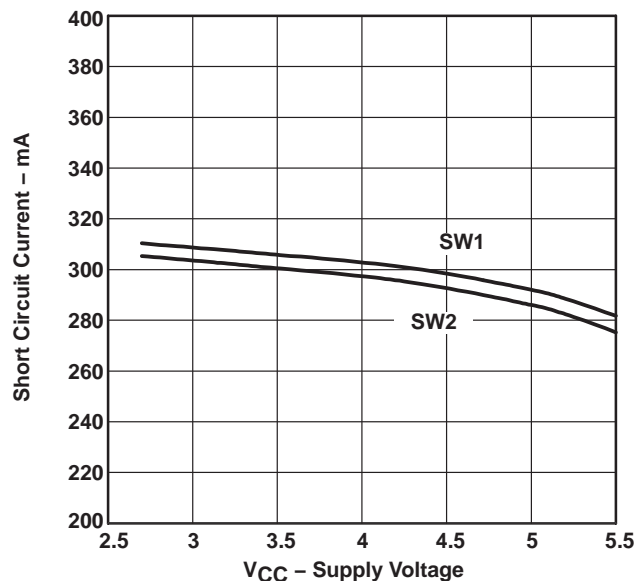


Figure 15

TYPICAL CHARACTERISTICS

UNDERVOLTAGE LOCKOUT  
vs  
JUNCTION TEMPERATURE

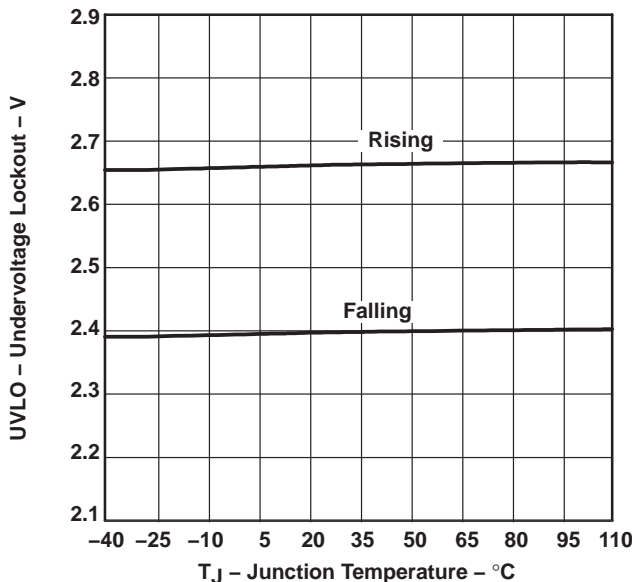


Figure 16

APPLICATION INFORMATION

external capacitor requirements on power lines

A ceramic bypass capacitor (0.01- $\mu$ F to 0.1- $\mu$ F) between VIN and GND, close to the device, is recommended to improve load transient response and noise rejection.

A bulk capacitor (4.7- $\mu$ F ) between VIN and GND is also recommended, especially if load transients in the hundreds of milliamps with fast rise times are anticipated.

A 66- $\mu$ F bulk capacitor is recommended from OUTx to ground, especially when the output load is heavy. This precaution helps reduce transients seen on the power rails. Additionally, bypassing the outputs with a 0.1- $\mu$ F ceramic capacitor improves the immunity of the device to short-circuit transients.

LDO output capacitor requirements

Stabilizing the internal control loop requires an output capacitor connected between LDO\_OUT and GND. The minimum recommended capacitance is a 4.7  $\mu$ F with an ESR value between 200 m $\Omega$  and 10  $\Omega$ . Solid tantalum electrolytic, aluminum electrolytic, and multilayer ceramic capacitors are all suitable, provided they meet the ESR requirements.

overcurrent

A sense FET is used to measure current through the device. Unlike current-sense resistors, sense FETs do not increase the series resistance of the current path. When an overcurrent condition is detected, the device maintains a constant output current. Complete shut down occurs only if the fault is present long enough to activate thermal limiting.

Three possible overload conditions can occur. In the first condition, the output is shorted before the device is enabled or before VIN has been applied. The TPS2149 and TPS2159 sense the short and immediately switches to a constant-current output.

## APPLICATION INFORMATION

### overcurrent (continued)

In the second condition, the short occurs while the device is enabled. At the instant the short occurs, very high currents may flow for a very short time before the current-limit circuit can react. After the current-limit circuit has tripped (reached the overcurrent trip threshold), the device switches into constant-current mode.

In the third condition, the load has been gradually increased beyond the recommended operating current. The current is permitted to rise until the current-limit threshold is reached or until the thermal limit of the device is exceeded. The TPS2149 and TPS2159 are capable of delivering current up to the current-limit threshold without damaging the device. Once the threshold has been reached, the device switches into its constant-current mode.

### $\overline{OC}$ response

The  $\overline{OC}$  open-drain output is asserted (active low) when an overcurrent condition is encountered. The output will remain asserted until the overcurrent condition is removed. Connecting a heavy capacitive load to an enabled device can cause momentary false overcurrent reporting from the inrush current flowing through the device, charging the downstream capacitor. The TPS2149 and TPS2159 are designed to reduce false overcurrent reporting. An internal overcurrent transient filter eliminates the need for external components to remove unwanted pulses. Using low-ESR electrolytic capacitors on OUTx lowers the inrush current flow through the device during hot-plug events by providing a low-impedance energy source, also reducing erroneous overcurrent reporting.

### power dissipation and junction temperature

The main source of power dissipation for the TPS2149 and TPS2159 comes from the internal voltage regulator and the N-channel MOSFETs. Checking the power dissipation and junction temperature is always a good design practice and it starts with determining the  $r_{DS(on)}$  of the N-channel MOSFET according to the input voltage and operating temperature. As an initial estimate, use the highest operating ambient temperature of interest and read  $r_{DS(on)}$  from the graphs shown in the Typical Characteristics section of this data sheet. Using this value, the power dissipation per switch can be calculated using:

$$P_D = r_{DS(on)} \times I^2 \quad (1)$$

Multiply this number by two to get the total power dissipation coming from the N-channel MOSFETs.

The power dissipation for the internal voltage regulator is calculated using:

$$P_D = (V_I - V_{O(min)}) \times I_O \quad (2)$$

The total power dissipation for the device becomes:

$$P_{D(total)} = P_{D(voltage\ regulator)} + (2 \times P_{D(switch)}) \quad (3)$$

Finally, calculate the junction temperature:

$$T_J = P_D \times R_{\theta JA} + T_A \quad (4)$$

Where:

$T_A$  = Ambient temperature °C

$R_{\theta JA}$  = Thermal resistance °C/W, equal to inverting the derating factor found on the power dissipation table in this datasheet.

## APPLICATION INFORMATION

Compare the calculated junction temperature with the initial estimate. If they do not agree within a few degrees, repeat the calculation, using the calculated value as the new estimate. Two or three iterations are generally sufficient to get a reasonable answer.

### thermal protection

Thermal protection prevents damage to the IC when heavy-overload or short-circuit faults are present for extended periods of time. The faults force the TPS2149 and TPS2159 into constant-current mode at first, which causes the voltage across the high-side switch to increase; under short-circuit conditions, the voltage across the switch is equal to the input voltage. The increased dissipation causes the junction temperature to rise to high levels.

The protection circuit senses the junction temperature of the switch and shuts it off. Hysteresis is built into the thermal sense circuit, and after the device has cooled approximately 10 degrees, the switch turns back on. The switch continues to cycle in this manner until the load fault or input power is removed.

The TPS2149 and TPS2159 implement a dual thermal trip to allow fully independent operation of the power distribution switches. In an overcurrent or short-circuit condition the junction temperature will rise. Once the die temperature rises to approximately 120°C, the internal thermal sense circuitry checks which power switch is in an overcurrent condition and turns that power switch off, thus isolating the fault without interrupting operation of the adjacent power switch. Should the die temperature exceed the first thermal trip point of 120°C and reach 155°C, the device will turn off.

### undervoltage lockout (UVLO)

An undervoltage lockout ensures that the device (LDO and switches) is in the off state at power up. The UVLO will also keep the device from being turned on until the power supply has reached the start threshold (see undervoltage lockout table), even if the switches are enabled. The UVLO will also be activated whenever the input voltage falls below the stop threshold as defined in the undervoltage lockout table. This facilitates the design of hot-insertion systems where it is not possible to turn off the power switches before input power is removed. Upon reinsertion, the power switches will be turned on with a controlled rise time to reduce EMI and voltage overshoots.

### universal serial bus (USB) applications

The universal serial bus (USB) interface is a multiplexed serial bus operating at either 12 Mb/s, or 1.5 Mb/s for USB 1.1, or 480 Mb/s for USB 2.0. The USB interface is designed to accommodate the bandwidth required by PC peripherals such as keyboards, printers, scanners, and mice. The four-wire USB interface was conceived for dynamic attach-detach (hot plug-unplug) of peripherals. Two lines are provided for differential data, and two lines are provided for 5-V power distribution.

USB data is a 3.3-V level signal, but power is distributed at 5 V to allow for voltage drops in cases where power is distributed through more than one hub or across long cables. Each function must provide its own regulated 3.3 V from the 5-V input or its own internal power supply.

The USB specification defines the following five classes of devices, each differentiated by power-consumption requirements:

- Hosts/self-powered hubs (SPH)
- Bus-powered hubs (BPH)
- Low-power, bus-powered functions
- High-power, bus-powered functions
- Self-powered functions

---

## APPLICATION INFORMATION

### universal serial bus (USB) applications (continued)

The TPS2149 and TPS2159 are well suited for USB bus-powered hub applications. The internal LDO can be used to provide the 3.3 V power needed by the controller while the dual switches distribute power to the downstream functions.

### USB power distribution requirements

USB can be implemented in several ways, and, regardless of the type of USB device being developed, several power-distribution features must be implemented.

- Hosts/self-powered hubs must:
  - Current-limit downstream ports
  - Report overcurrent conditions on USB  $V_{BUS}$
- Bus-powered hubs must:
  - Enable/disable power to downstream ports
  - Power up at <100 mA
  - Limit inrush current (<44  $\Omega$  and 10  $\mu$ F)
- Functions must:
  - Limit inrush currents
  - Power up at <100 mA

The feature set of the TPS2149 and TPS2159 is designed to help USB bus-powered hubs meet the requirements. The integrated current-limiting and overcurrent reporting is required by hosts and self-powered hubs. The logic-level enable and controlled rise times meet the need of both input and output ports on bus-powered hubs, as well as the input ports for bus-powered functions.

### USB applications

Figure 17 shows the TPS2149 being used in a USB bus-powered two-port hub design. The internal 3.3-V LDO is used to provide power for the USB function controller as well as to the 1.5-k $\Omega$  pullup resistor.

Switches 1 and 2 provide power to the downstream ports. Both are separately enabled to control power being sent downstream. They are also disabled during enumeration to satisfy the 100 mA requirement.

Figure 18 shows the TPS2149 being used in a USB bus-powered four-port hub design. The internal 3.3-V LDO is used to provide power for the USB function controller as well as to the 1.5 k $\Omega$  pullup resistor.

APPLICATION INFORMATION

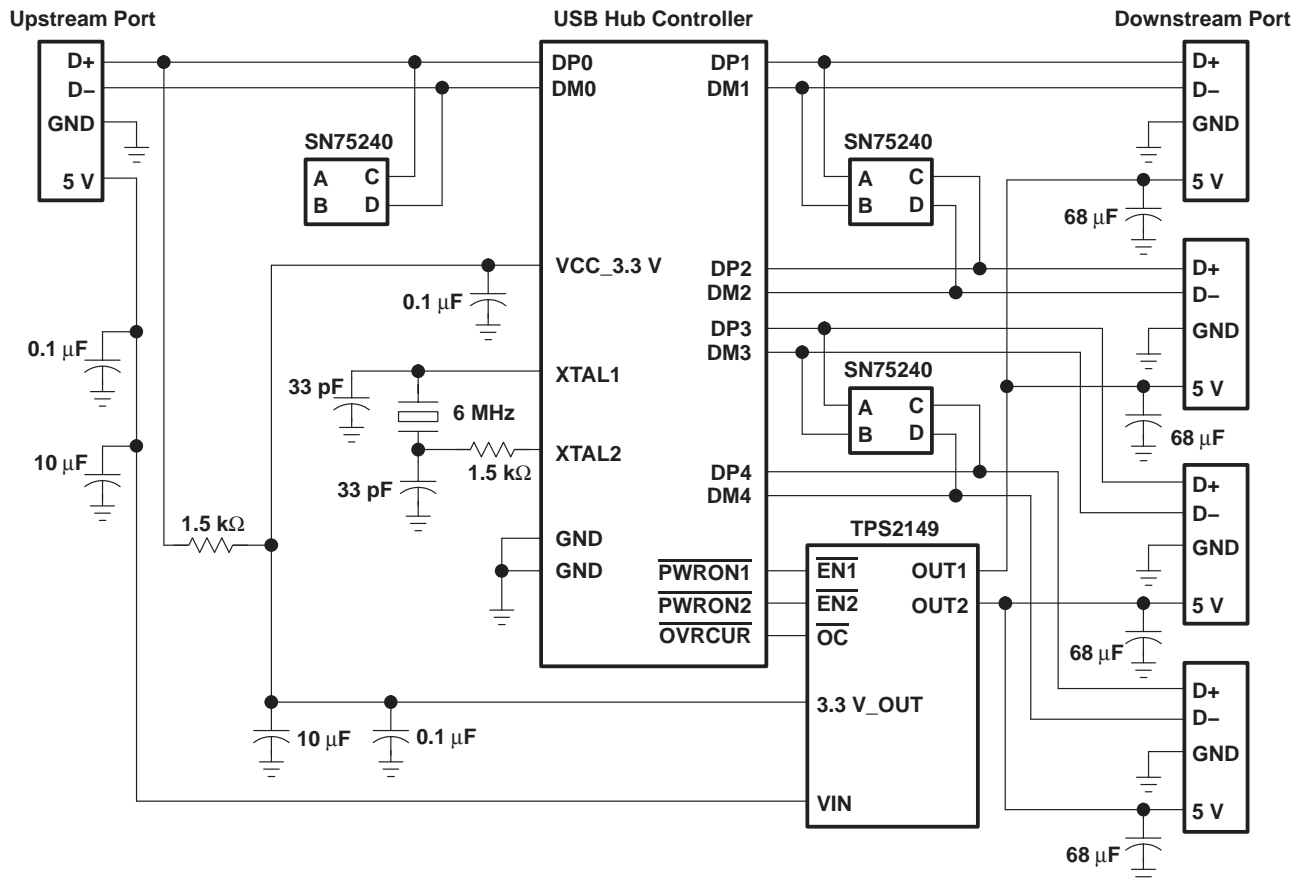


Figure 17. Example of a Two Port Hub Design With TPS2149



APPLICATION INFORMATION

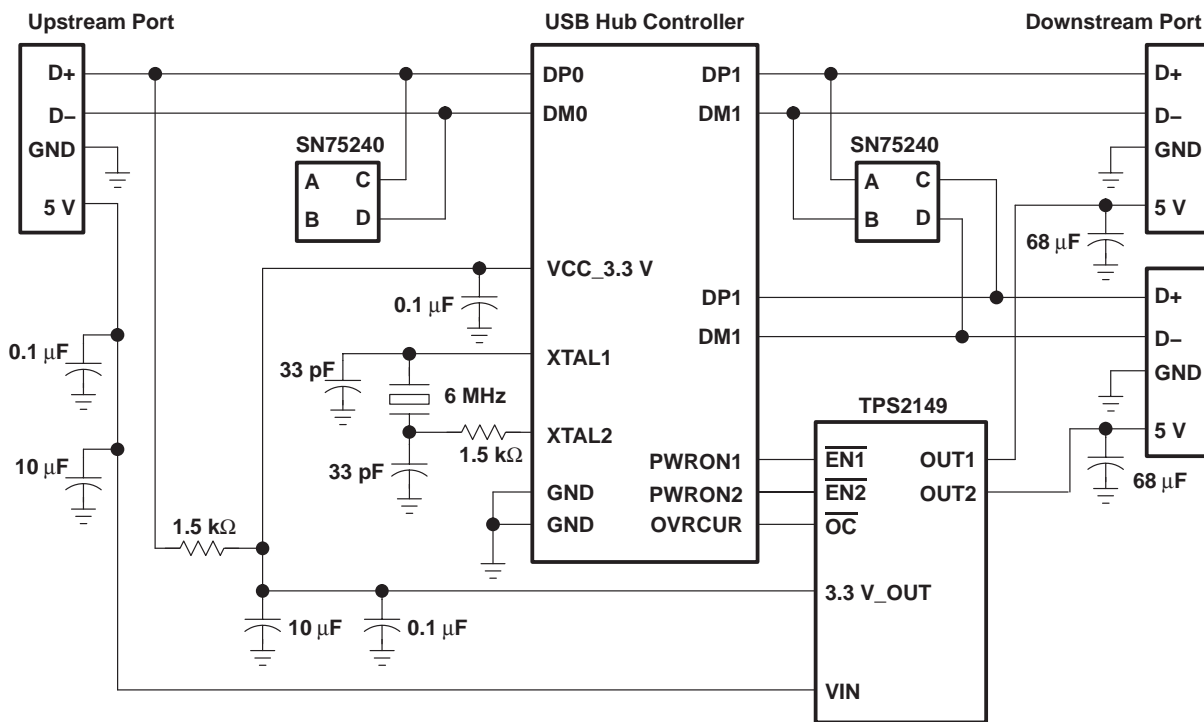


Figure 18. Example of a 4 Port Hub Design With TPS2149

**PACKAGING INFORMATION**

Orderable Device	Status (1)	Package Type	Package Drawing	Pins	Package Qty	Eco Plan (2)	Lead finish/ Ball material (6)	MSL Peak Temp (3)	Op Temp (°C)	Device Marking (4/5)	Samples
TPS2149IDGN	ACTIVE	HVSSOP	DGN	8	80	RoHS & Green	NIPDAU	Level-1-260C-UNLIM	-40 to 100	AXD	<a href="#">Samples</a>
TPS2159IDGN	ACTIVE	HVSSOP	DGN	8	80	RoHS & Green	NIPDAU	Level-1-260C-UNLIM	-40 to 100	AXE	<a href="#">Samples</a>

(1) The marketing status values are defined as follows:

**ACTIVE:** Product device recommended for new designs.

**LIFEBUY:** TI has announced that the device will be discontinued, and a lifetime-buy period is in effect.

**NRND:** Not recommended for new designs. Device is in production to support existing customers, but TI does not recommend using this part in a new design.

**PREVIEW:** Device has been announced but is not in production. Samples may or may not be available.

**OBsolete:** TI has discontinued the production of the device.

(2) **RoHS:** TI defines "RoHS" to mean semiconductor products that are compliant with the current EU RoHS requirements for all 10 RoHS substances, including the requirement that RoHS substance do not exceed 0.1% by weight in homogeneous materials. Where designed to be soldered at high temperatures, "RoHS" products are suitable for use in specified lead-free processes. TI may reference these types of products as "Pb-Free".

**RoHS Exempt:** TI defines "RoHS Exempt" to mean products that contain lead but are compliant with EU RoHS pursuant to a specific EU RoHS exemption.

**Green:** TI defines "Green" to mean the content of Chlorine (Cl) and Bromine (Br) based flame retardants meet JS709B low halogen requirements of <=1000ppm threshold. Antimony trioxide based flame retardants must also meet the <=1000ppm threshold requirement.

(3) MSL, Peak Temp. - The Moisture Sensitivity Level rating according to the JEDEC industry standard classifications, and peak solder temperature.

(4) There may be additional marking, which relates to the logo, the lot trace code information, or the environmental category on the device.

(5) Multiple Device Markings will be inside parentheses. Only one Device Marking contained in parentheses and separated by a "~" will appear on a device. If a line is indented then it is a continuation of the previous line and the two combined represent the entire Device Marking for that device.

(6) Lead finish/Ball material - Orderable Devices may have multiple material finish options. Finish options are separated by a vertical ruled line. Lead finish/Ball material values may wrap to two lines if the finish value exceeds the maximum column width.

**Important Information and Disclaimer:**The information provided on this page represents TI's knowledge and belief as of the date that it is provided. TI bases its knowledge and belief on information provided by third parties, and makes no representation or warranty as to the accuracy of such information. Efforts are underway to better integrate information from third parties. TI has taken and continues to take reasonable steps to provide representative and accurate information but may not have conducted destructive testing or chemical analysis on incoming materials and chemicals. TI and TI suppliers consider certain information to be proprietary, and thus CAS numbers and other limited information may not be available for release.

In no event shall TI's liability arising out of such information exceed the total purchase price of the TI part(s) at issue in this document sold by TI to Customer on an annual basis.



## GENERIC PACKAGE VIEW

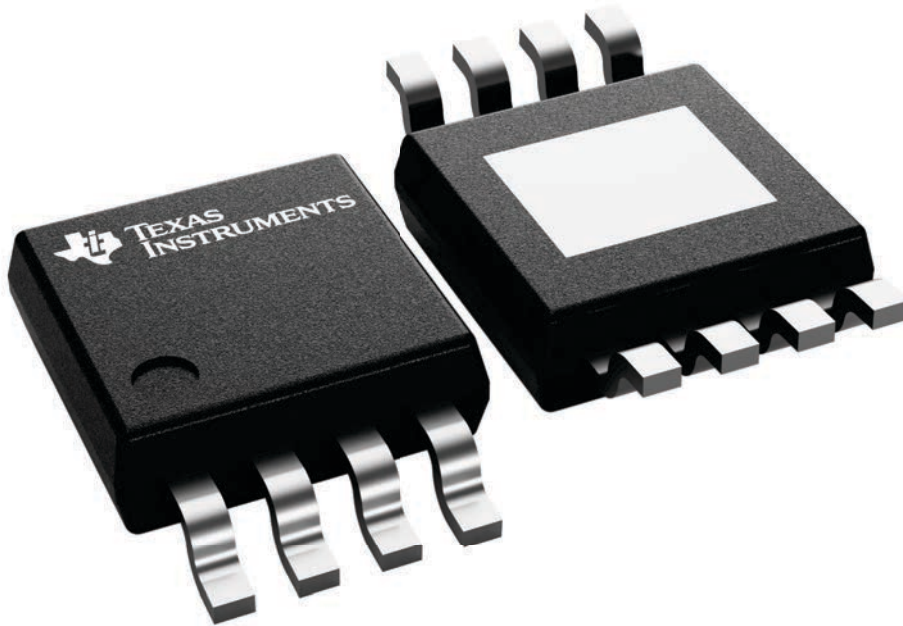
**DGN 8**

**PowerPAD™ HVSSOP - 1.1 mm max height**

3 x 3, 0.65 mm pitch

SMALL OUTLINE PACKAGE

This image is a representation of the package family, actual package may vary.  
Refer to the product data sheet for package details.



4225482/B



PowerPAD is a trademark of Texas Instruments.

NOTES:

1. All linear dimensions are in millimeters. Any dimensions in parenthesis are for reference only. Dimensioning and tolerancing per ASME Y14.5M.
2. This drawing is subject to change without notice.
3. This dimension does not include mold flash, protrusions, or gate burrs. Mold flash, protrusions, or gate burrs shall not exceed 0.15 mm per side.
4. This dimension does not include interlead flash. Interlead flash shall not exceed 0.25 mm per side.
5. Reference JEDEC registration MO-187.

# EXAMPLE BOARD LAYOUT

DGN0008D

PowerPAD™ VSSOP - 1.1 mm max height

SMALL OUTLINE PACKAGE



LAND PATTERN EXAMPLE  
EXPOSED METAL SHOWN  
SCALE: 15X



4225481/A 11/2019

NOTES: (continued)

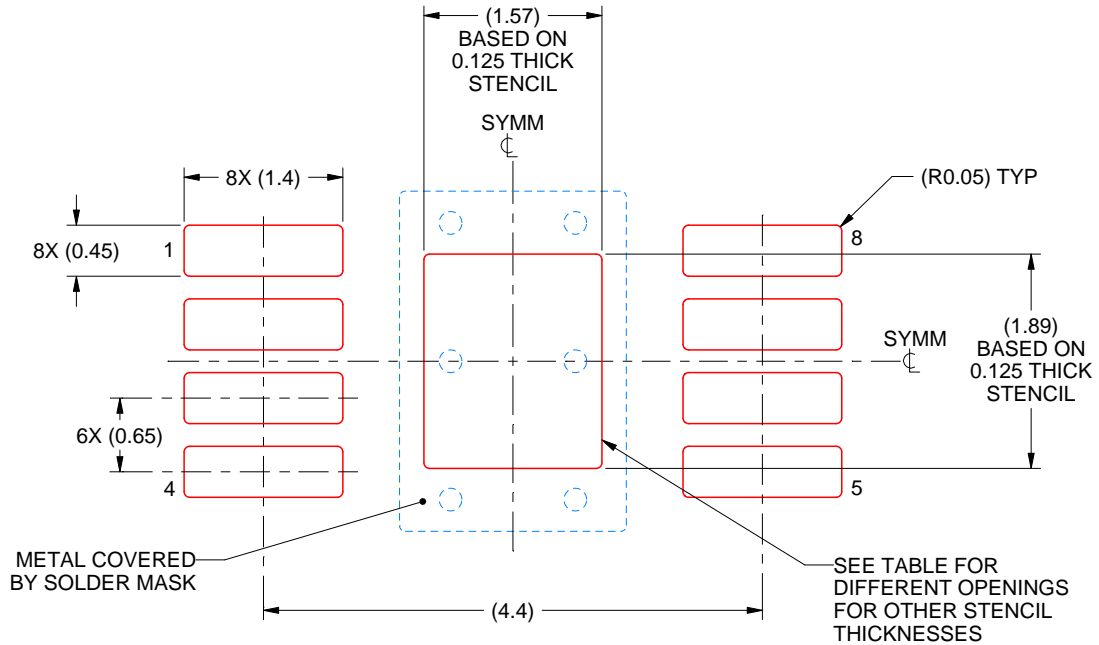
6. Publication IPC-7351 may have alternate designs.
7. Solder mask tolerances between and around signal pads can vary based on board fabrication site.
8. Vias are optional depending on application, refer to device data sheet. If any vias are implemented, refer to their locations shown on this view. It is recommended that vias under paste be filled, plugged or tented.
9. Size of metal pad may vary due to creepage requirement.

# EXAMPLE STENCIL DESIGN

DGN0008D

PowerPAD™ VSSOP - 1.1 mm max height

SMALL OUTLINE PACKAGE



**SOLDER PASTE EXAMPLE**  
EXPOSED PAD 9:  
100% PRINTED SOLDER COVERAGE BY AREA  
SCALE: 15X

STENCIL THICKNESS	SOLDER STENCIL OPENING
0.1	1.76 X 2.11
0.125	1.57 X 1.89 (SHOWN)
0.15	1.43 X 1.73
0.175	1.33 X 1.60

4225481/A 11/2019

NOTES: (continued)

10. Laser cutting apertures with trapezoidal walls and rounded corners may offer better paste release. IPC-7525 may have alternate design recommendations.
11. Board assembly site may have different recommendations for stencil design.

## IMPORTANT NOTICE AND DISCLAIMER

TI PROVIDES TECHNICAL AND RELIABILITY DATA (INCLUDING DATA SHEETS), DESIGN RESOURCES (INCLUDING REFERENCE DESIGNS), APPLICATION OR OTHER DESIGN ADVICE, WEB TOOLS, SAFETY INFORMATION, AND OTHER RESOURCES "AS IS" AND WITH ALL FAULTS, AND DISCLAIMS ALL WARRANTIES, EXPRESS AND IMPLIED, INCLUDING WITHOUT LIMITATION ANY IMPLIED WARRANTIES OF MERCHANTABILITY, FITNESS FOR A PARTICULAR PURPOSE OR NON-INFRINGEMENT OF THIRD PARTY INTELLECTUAL PROPERTY RIGHTS.

These resources are intended for skilled developers designing with TI products. You are solely responsible for (1) selecting the appropriate TI products for your application, (2) designing, validating and testing your application, and (3) ensuring your application meets applicable standards, and any other safety, security, regulatory or other requirements.

These resources are subject to change without notice. TI grants you permission to use these resources only for development of an application that uses the TI products described in the resource. Other reproduction and display of these resources is prohibited. No license is granted to any other TI intellectual property right or to any third party intellectual property right. TI disclaims responsibility for, and you will fully indemnify TI and its representatives against, any claims, damages, costs, losses, and liabilities arising out of your use of these resources.

TI's products are provided subject to [TI's Terms of Sale](#) or other applicable terms available either on [ti.com](https://www.ti.com) or provided in conjunction with such TI products. TI's provision of these resources does not expand or otherwise alter TI's applicable warranties or warranty disclaimers for TI products.

TI objects to and rejects any additional or different terms you may have proposed.

Mailing Address: Texas Instruments, Post Office Box 655303, Dallas, Texas 75265  
Copyright © 2024, Texas Instruments Incorporated