

TPS3435 Nano IQ Precision Timeout Watchdog Timer

1 Features

- Factory programmed or user-programmable watchdog timeout
 - $\pm 10\%$ Accurate timer (maximum)
 - Factory programmed: 1 msec to 100 sec
- Factory programmed or user-programmable reset delay
 - $\pm 10\%$ Accurate timer (maximum)
 - Factory programmed option: 2 msec to 10 sec
- Input voltage range: $V_{DD} = 1.04\text{ V to }6.0\text{ V}$
- Ultra low supply current: $I_{DD} = 250\text{ nA (typical)}$
- Open-drain, push-pull; active-low outputs
- Various programmability options:
 - Watchdog enable-disable
 - Watchdog startup delay: no delay to 10 sec
 - On the fly timer extension: 1X to 256X
 - Latched output option
- $\overline{\text{MR}}$ functionality support

2 Applications

- [Robot servo drive](#)
- [Mixed module \(AI, AO, DI, DO\)](#)
- [HVAC controller](#)
- [Electricity meter](#)
- [Infusion pump](#)
- [Surgical equipment](#)

3 Description

The TPS3435 is an ultra-low power consumption (250 nA typical) device offering a programmable timeout watchdog timer.

The TPS3435 offers a high accuracy timeout watchdog timer with a host of features for a wide variety of applications. The timeout watchdog timer can be factory programmed or user programmed using an external capacitor. The timer value can be changed on-the-fly using a combination of logic pins. The watchdog feature can be enabled or disabled using a dedicated pin or combination of timer extension pins. The device also offers start-up delay options to disable watchdog monitoring for fixed time immediately after host power up.

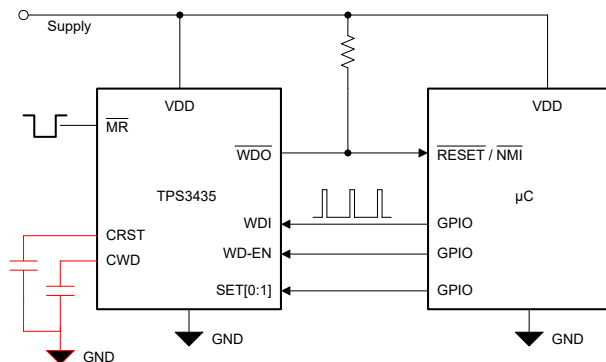
The $\overline{\text{WDO}}$ delay can be set by factory-programmed default delay settings or programmed by an external capacitor. The device also offers a latched output operation where the output is latched until the watchdog fault is cleared.

The TPS3435 provide performance upgrade alternative to [TPS3431](#) device family. The TPS3435 is available in a small 6-pin WSON and 8-pin SOT23 package.

Device Information

PART NUMBER	PACKAGE ⁽¹⁾	BODY SIZE (NOM)
TPS3435	DDF (8)	2.90 mm × 1.60 mm
TPS3435	DSE (6) ⁽²⁾	1.50 mm × 1.50 mm

- (1) For all available packages, see the orderable addendum at the end of the data sheet.
- (2) Package preview.



TPS3435 offers various pinout options to support different features. Choose suitable pinout based on application needs

Typical Application Circuit

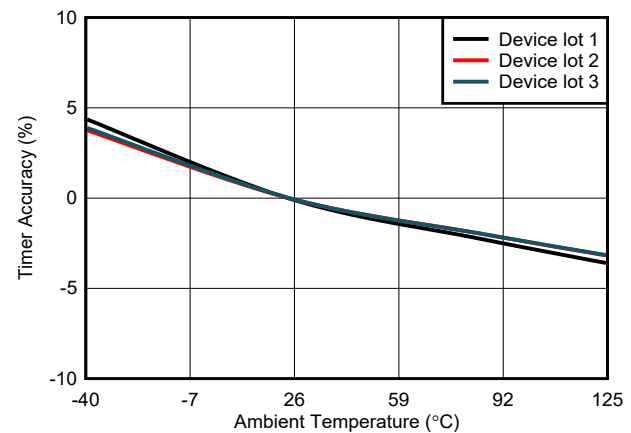


Table of Contents

1 Features	1	8.2 Functional Block Diagrams.....	14
2 Applications	1	8.3 Feature Description.....	15
3 Description	1	8.4 Device Functional Modes.....	21
4 Revision History	2	9 Application and Implementation	22
5 Device Comparison	3	9.1 Application Information.....	22
6 Pin Configuration and Functions	4	9.2 Typical Applications.....	23
7 Specifications	6	10 Power Supply Recommendations	24
7.1 Absolute Maximum Ratings.....	6	11 Layout	25
7.2 ESD Ratings	6	11.1 Layout Guidelines.....	25
7.3 Recommended Operating Conditions.....	6	11.2 Layout Example.....	25
7.4 Thermal Information.....	7	12 Device and Documentation Support	26
7.5 Electrical Characteristics	8	12.1 Receiving Notification of Documentation Updates..	26
7.6 Timing Requirements	9	12.2 Support Resources.....	26
7.7 Switching Characteristics	10	12.3 Trademarks.....	27
7.8 Timing Diagrams.....	11	12.4 Electrostatic Discharge Caution.....	27
7.9 Typical Characteristics.....	12	12.5 Glossary.....	27
8 Detailed Description	14	13 Mechanical, Packaging, and Orderable Information	27
8.1 Overview.....	14		

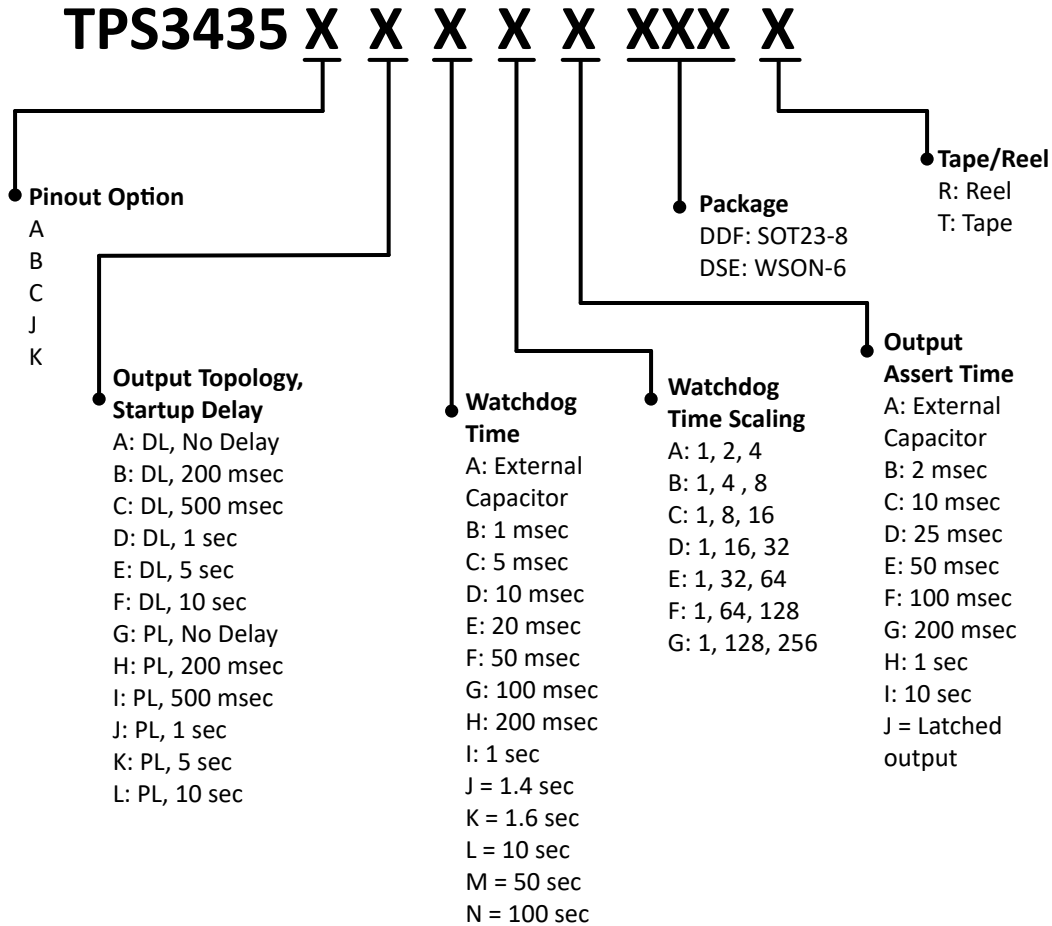
4 Revision History

NOTE: Page numbers for previous revisions may differ from page numbers in the current version.

DATE	REVISION	NOTES
December 2022	*	Initial Release

5 Device Comparison

Figure 5-1 shows the device naming nomenclature of the TPS3435. For all possible output types, watchdog time options and output assert delay options, see Section 8 for more details. Contact TI sales representatives or on TI's E2E forum for detail and availability of other options.



Refer 'Mechanical, Packaging and Orderable Information' section for list of released orderable.
For any other orderable, contact local TI support.

Figure 5-1. Device Naming Nomenclature

TPS3435 belongs to family of pin compatible devices offering different feature sets as highlighted in Table 5-1.

Table 5-1. Pin Compatible Device Families

Device	Voltage Supervisor	Type of Watchdog
TPS35	Yes	Timeout
TPS36	Yes	Window
TPS3435	No	Timeout
TPS3436	No	Window

6 Pin Configuration and Functions

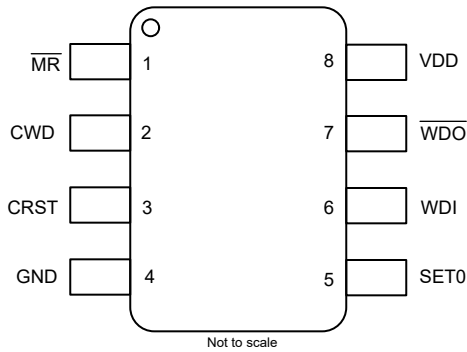


Figure 6-1. Pin Configuration Option A
DDF Package, 8-Pin SOT-23,
TPS3435 Top View

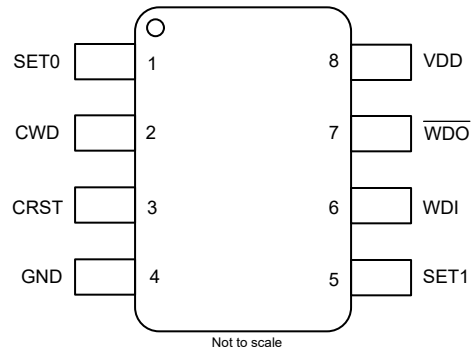


Figure 6-2. Pin Configuration Option B
DDF Package, 8-Pin SOT-23,
TPS3435 Top View

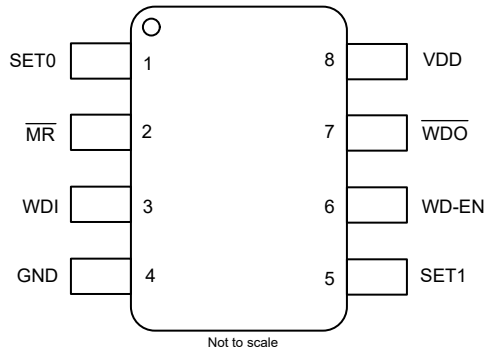


Figure 6-3. Pin Configuration Option C
DDF Package, 8-Pin SOT-23,
TPS3435 Top View

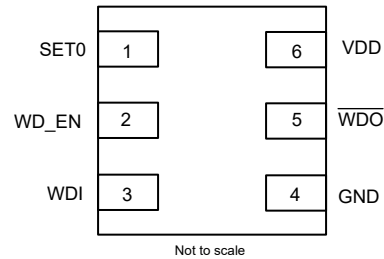


Figure 6-4. Pin Configuration Option J
DSE Package, 6-Pin WSON,
TPS3435 Top View

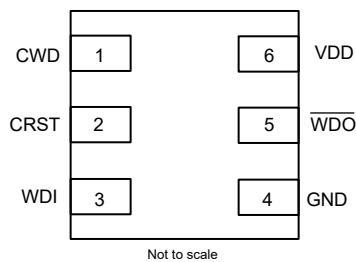


Figure 6-5. Pin Configuration Option K
DSE Package, 6-Pin WSON,
TPS3435 Top View

Table 6-1. Pin Functions

PIN NAME	PIN NUMBER					I/O	DESCRIPTION
	PINOUT A	PINOUT B	PINOUT C	PINOUT J	PINOUT K		
CRST	3	3	—	—	2	I	Programmable WDO assert time pin. Connect a capacitor between this pin and GND to program the WDO assert time period. See Section 8.3.3 for more details.
CWD	2	2	—	—	1	I	Programmable watchdog timeout input. Watchdog timeout is set by connecting a capacitor between this pin and ground. See Section 8.3.1.1 for more details.
GND	4	4	4	4	4	—	Ground pin
\overline{MR}	1	—	2	—	—	I	Manual reset pin. A logic low on this pin asserts the \overline{WDO} output. See Section 8.3.2 for more details.
\overline{WDO}	7	7	7	5	5	O	Watchdog output. Connect \overline{WDO} to VDD using pull up resistance when using open drain output. \overline{WDO} is asserted when a watchdog error occurs or \overline{MR} pin is driven LOW. See Section 8.3.3 for more details.
SET0	5	1	1	1	—	I	Logic input. SET0, SET1, and WD-EN pins select the watchdog timer scaling and enable-disable the watchdog; see Section 8.3.1.4 for more details.
SET1	—	5	5	—	—	I	Logic input. SET0, SET1, and WD-EN pins select the watchdog timer scaling and enable-disable the watchdog; see Section 8.3.1.4 for more details.
VDD	8	8	8	6	6	I	Supply voltage pin. For noisy systems, connecting a 0.1- μ F bypass capacitor is recommended.
WD-EN	—	—	6	2	—	I	Logic input. Logic high input enables the watchdog monitoring feature. See Section 8.3.1.2 for more details.
WDI	6	6	3	3	3	I	Watchdog input. A falling transition (edge) must occur at this pin before the timeout expires in order for \overline{WDO} to not assert. See Section 8.3.1 for more details.

7 Specifications

7.1 Absolute Maximum Ratings

over operating free-air temperature range, unless otherwise noted⁽¹⁾

		MIN	MAX	UNIT
Voltage	VDD	-0.3	6.5	V
Voltage	C _{WD} , C _{RST} , WD-EN, SETx, WDI, MR ⁽²⁾ , WDO (Push Pull)	-0.3	V _{DD} +0.3 ⁽³⁾	V
	WDO (Open Drain)	-0.3	6.5	
Current	WDO pin	-20	20	mA
Temperature ⁽⁴⁾	Operating ambient temperature, T _A	-40	125	°C
Temperature ⁽⁴⁾	Storage, T _{stg}	-65	150	

- (1) Stresses beyond those listed under *Absolute Maximum Rating* may cause permanent damage to the device. These are stress ratings only, which do not imply functional operation of the device at these or any other conditions beyond those indicated under *Recommended Operating Condition*. Exposure to absolute-maximum-rated conditions for extended periods may affect device reliability.
- (2) If the logic signal driving MR is less than V_{DD}, then additional current flows into V_{DD} and out of MR.
- (3) The absolute maximum rating is (V_{DD} + 0.3) V or 6.5 V, whichever is smaller
- (4) As a result of the low dissipated power in this device, it is assumed that T_J = T_A.

7.2 ESD Ratings

			VALUE	UNIT
V _(ESD)	Electrostatic discharge	Human body model (HBM), per ANSI/ESDA/JEDEC JS-001 ⁽¹⁾	± 2000	V
		Charged device model (CDM), per JEDEC specification JESD22-C101 ⁽²⁾	± 750	

- (1) JEDEC document JEP155 states that 500-V HBM allows safe manufacturing with a standard ESD control process.
- (2) JEDEC document JEP157 states that 250-V CDM allows safe manufacturing with a standard ESD control process.

7.3 Recommended Operating Conditions

over operating free-air temperature range (unless otherwise noted)

		MIN	NOM	MAX	UNIT
Voltage	VDD (Active Low output)	0.9		6	V
	C _{WD} , C _{RST} , WD-EN, SETx, WDI, MR ⁽¹⁾	0		VDD	
	WDO (Open Drain)	0		6	
	WDO (Push Pull)	0		VDD	
Current	WDO pin current	-5		5	mA
C _{RST}	C _{RST} pin capacitor range	1.5		1800	nF
C _{WD}	C _{WD} pin capacitor range	1.5		1000	nF
T _A	Operating ambient temperature	-40		125	°C

- (1) If the logic signal driving MR is less than V_{DD}, then additional current flows into V_{DD} and out of MR. V_{MR} should not be higher than V_{DD}.

7.4 Thermal Information

THERMAL METRIC ⁽¹⁾		TPS3435	UNIT
		DDF (SOT23-8)	
		8 PINS	
$R_{\theta JA}$	Junction-to-ambient thermal resistance	175.3	°C/W
$R_{\theta JC(top)}$	Junction-to-case (top) thermal resistance	94.7	°C/W
$R_{\theta JB}$	Junction-to-board thermal resistance	92.4	°C/W
Ψ_{JT}	Junction-to-top characterization parameter	8.4	°C/W
Ψ_{JB}	Junction-to-board characterization parameter	91.9	°C/W
$R_{\theta JC(bot)}$	Junction-to-case (bottom) thermal resistance	N/A	°C/W

- (1) For more information about traditional and new thermal metrics, see the [Semiconductor and IC Package Thermal Metrics](#) application report.

7.5 Electrical Characteristics

At $1.04\text{ V} \leq V_{DD} \leq 6\text{ V}$, \overline{MR} = Open, \overline{WDO} pull-up resistor ($R_{pull-up}$) = 100 k Ω to V_{DD} , output load (C_{LOAD}) = 10 pF and over operating free-air temperature range -40°C to 125°C , unless otherwise noted. V_{DD} ramp rate $\leq 1\text{ V}/\mu\text{s}$. Typical values are at $T_A = 25^{\circ}\text{C}$

PARAMETER		TEST CONDITIONS	MIN	TYP	MAX	UNIT
COMMON PARAMETERS						
V_{DD}	Input supply voltage	Active LOW output	1.04		6	V
I_{DD}	Supply current into V_{DD} pin ⁽¹⁾	$T_A = -40^{\circ}\text{C}$ to 85°C		0.25	0.8	μA
				0.25	3	
V_{IL}	Low level input voltage $\overline{WD-EN}$, \overline{WDI} , \overline{SETx} , \overline{MR} ⁽¹⁾				$0.3V_{DD}$	V
V_{IH}	High level input voltage $\overline{WD-EN}$, \overline{WDI} , \overline{SETx} , \overline{MR} ⁽¹⁾		$0.7V_{DD}$			V
R_{MR}	Manual reset internal pull-up resistance			100		k Ω
\overline{WDO} (Open-drain active-low)						
V_{OL}	Low level output voltage	$V_{DD} = 1.5\text{ V}$ $I_{OUT(Sink)} = 500\ \mu\text{A}$			300	mV
		$V_{DD} = 3.3\text{ V}$ $I_{OUT(Sink)} = 2\text{ mA}$			300	
$I_{kg(OD)}$	Open-Drain output leakage current	$V_{DD} = V_{PULLUP} = 6\text{ V}$ $T_A = -40^{\circ}\text{C}$ to 85°C		10	30	nA
		$V_{DD} = V_{PULLUP} = 6\text{ V}$		10	60	nA
\overline{WDO} (Push-pull active-low)						
V_{POR}	Power on \overline{WDO} voltage ⁽²⁾	$V_{OH(min)} = 0.8\ V_{DD}$ $I_{out(source)} = 15\ \mu\text{A}$			900	mV
V_{OL}	Low level output voltage	$V_{DD} = 1.5\text{ V}$ $I_{OUT(Sink)} = 500\ \mu\text{A}$			300	mV
		$V_{DD} = 3.3\text{ V}$ $I_{OUT(Sink)} = 2\text{ mA}$			300	
V_{OH}	High level output voltage	$V_{DD} = 1.8\text{ V}$ $I_{OUT(Source)} = 500\ \mu\text{A}$		$0.8V_{DD}$		V
		$V_{DD} = 3.3\text{ V}$ $I_{OUT(Source)} = 500\ \mu\text{A}$		$0.8V_{DD}$		
		$V_{DD} = 6\text{ V}$ $I_{OUT(Source)} = 2\text{ mA}$		$0.8V_{DD}$		

(1) If the logic signal driving \overline{MR} is less than V_{DD} , then additional current flows into V_{DD} and out of \overline{MR} .

(2) V_{POR} is the minimum V_{DD} voltage level for a controlled output state

7.6 Timing Requirements

At $1.04\text{ V} \leq V_{DD} \leq 6\text{ V}$, $\overline{\text{MR}} = \text{Open}$, $\overline{\text{WDO}}$ pull-up resistor ($R_{\text{pull-up}}$) = 100 k Ω to VDD, output RESET / WDO load (C_{LOAD}) = 10 pF and over operating free-air temperature range -40°C to 125°C , unless otherwise noted. VDD ramp rate $\leq 1\text{ V}/\mu\text{s}$. Typical values are at $T_A = 25^{\circ}\text{C}$

PARAMETER		TEST CONDITIONS	MIN	TYP	MAX	UNIT
$t_{\overline{\text{MR}}_{\text{PW}}}$	$\overline{\text{MR}}$ pin pulse duration to assert output			100		ns
$t_{\text{P-WD}}$	WDI pulse duration to start next frame ⁽¹⁾		500			ns
$t_{\text{HD-WDEN}}$	WD-EN hold time to enable or disable WD operation ⁽¹⁾		200			μs
$t_{\text{HD-SETx}}$	SETx hold time to change WD timer setting ⁽¹⁾		150			μs
t_{WD}	Watchdog timeout period	Orderable Option TPS3435xxB	0.8	1	1.2	ms
		Orderable Option TPS3435xxC	4	5	6	
		Orderable Option TPS3435xxD	9	10	11	
		Orderable Option TPS3435xxE	18	20	22	
		Orderable Option TPS3435xxF	45	50	55	
		Orderable Option TPS3435xxG	90	100	110	
		Orderable Option TPS3435xxH	180	200	220	
		Orderable Option TPS3435xxI	0.9	1	1.1	s
		Orderable Option TPS3435xxJ	1.26	1.4	1.54	
		Orderable Option TPS3435xxK	1.44	1.6	1.76	
		Orderable Option TPS3435xxL	9	10	11	
		Orderable Option TPS3435xxM	45	50	55	
		Orderable Option TPS3435xxN	90	100	110	

(1) Not production tested

7.7 Switching Characteristics

At $1.04\text{ V} \leq V_{DD} \leq 6\text{ V}$, $\overline{MR} = \text{Open}$, \overline{WDO} pull-up resistor ($R_{\text{pull-up}}$) = 100 k Ω to VDD, output RESET / WDO load (C_{LOAD}) = 10 pF and over operating free-air temperature range -40°C to 125°C , unless otherwise noted. VDD ramp rate $\leq 1\text{ V}/\mu\text{s}$. Typical values are at $T_A = 25^{\circ}\text{C}$

PARAMETER		TEST CONDITIONS	MIN	TYP	MAX	UNIT
t_{STRT}	Startup delay ⁽¹⁾				500	μs
t_{SD}	Watchdog startup delay	Orderable part number TPS3435xA, TPS3435xG		0		ms
		Orderable part number TPS3435xB, TPS3435xH	180	200	220	
		Orderable part number TPS3435xC, TPS3435xI	450	500	550	
		Orderable part number TPS3435xD, TPS3435xJ	0.9	1	1.1	s
		Orderable part number TPS3435xE, TPS3435xK	4.5	5	5.5	
		Orderable part number TPS3435xF, TPS3435xL	9	10	11	
t_{WDO}	Watchdog assert time delay	Orderable part number TPS3435xxxxB	1.6	2	2.4	ms
		Orderable part number TPS3435xxxxC	9	10	11	ms
		Orderable part number TPS3435xxxxD	22.5	25	27.5	ms
		Orderable part number TPS3435xxxxE	45	50	55	ms
		Orderable part number TPS3435xxxxF	90	100	110	ms
		Orderable part number TPS3435xxxxG	180	200	220	ms
		Orderable part number TPS3435xxxxH	0.9	1	1.1	s
		Orderable part number TPS3435xxxxI	9	10	11	s
$t_{\text{MR_WDO}}$	Propagation delay from \overline{MR} low to WDO assertion	$V_{DD} \geq 1.25\text{ V}$, $\overline{MR} = V_{\text{MR_H}}$ to $V_{\text{MR_L}}$		100		ns

(1) Specified by design parameter.

7.8 Timing Diagrams

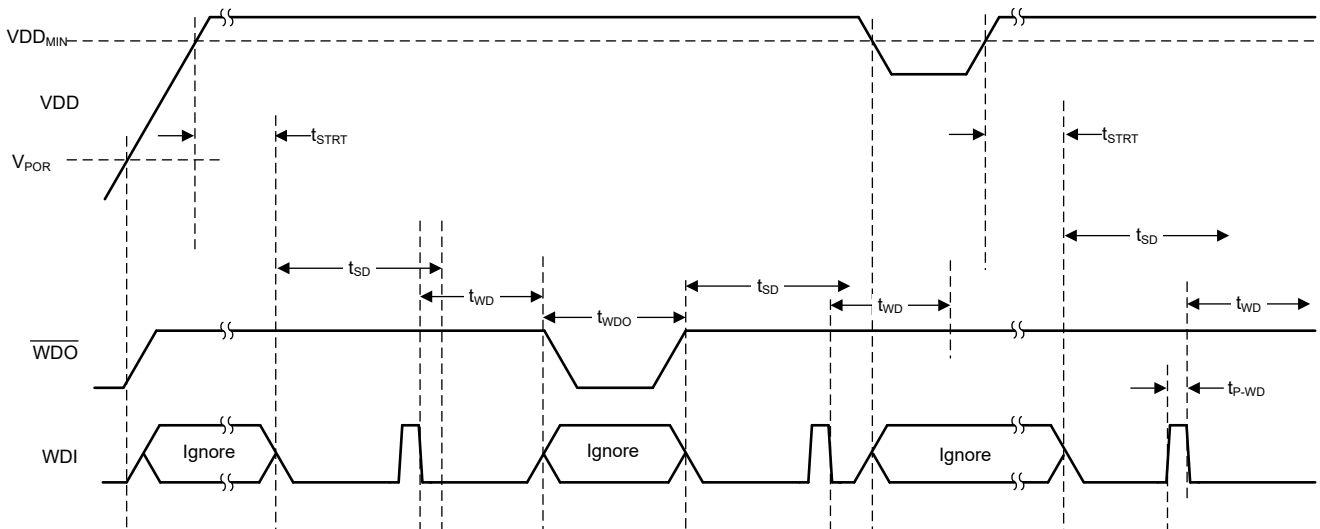


Figure 7-1. Functional Timing Diagram

7.9 Typical Characteristics

all curves are taken at $T_A = 25^\circ\text{C}$ (unless otherwise noted)

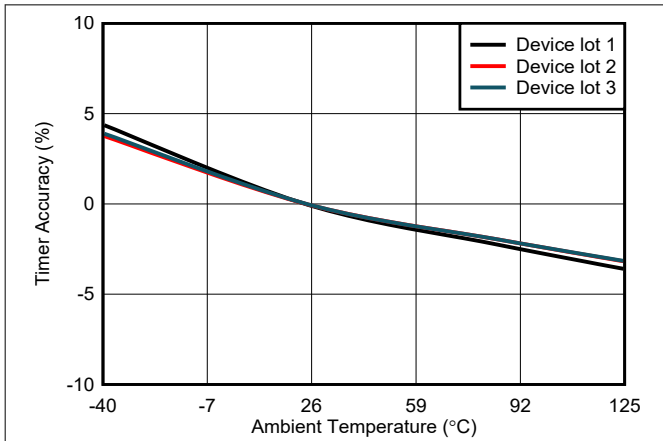


Figure 7-2. Timer Accuracy vs Temperature

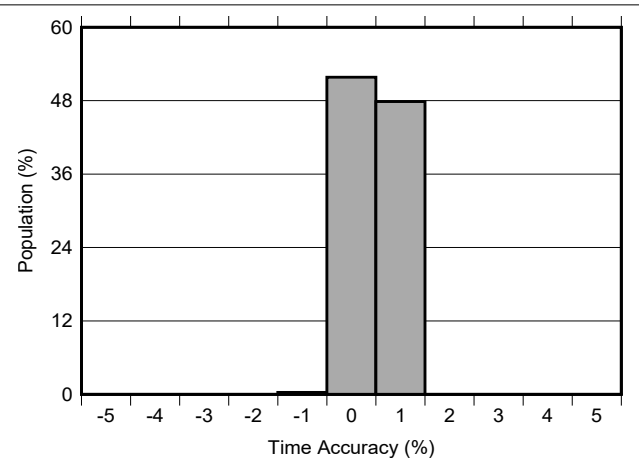


Figure 7-3. Timer Accuracy Histogram

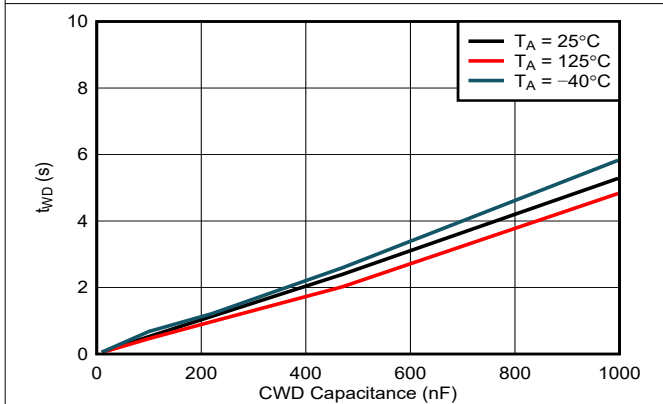


Figure 7-4. t_{WD} vs Capacitance

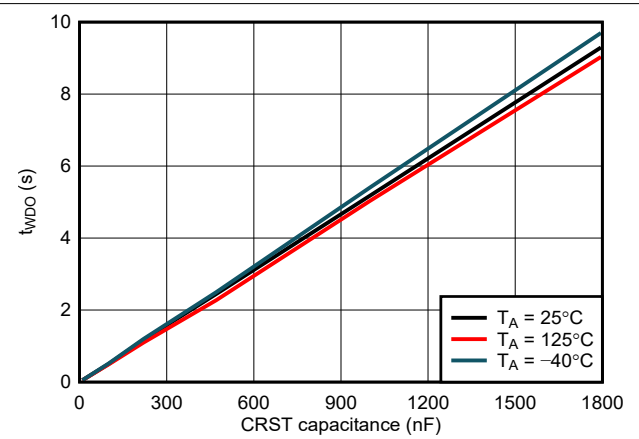


Figure 7-5. t_{WD0} vs Capacitance

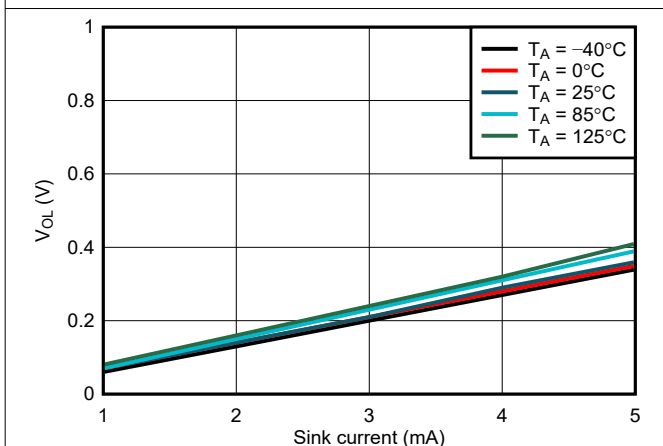


Figure 7-6. WDO V_{OL} vs I_{sink} , $V_{DD} = 1.5\text{ V}$

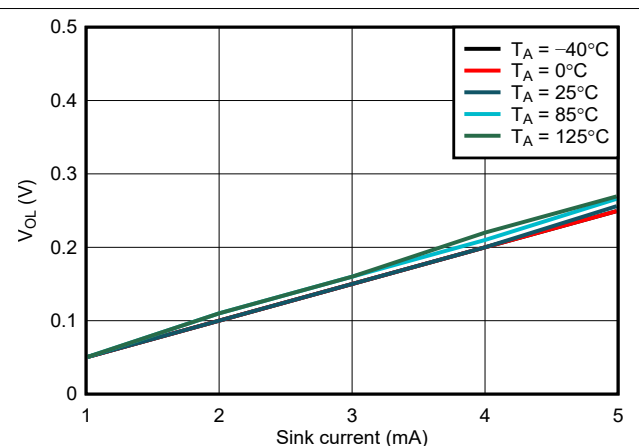


Figure 7-7. WDO V_{OL} vs I_{sink} , $V_{DD} = 3.3\text{ V}$

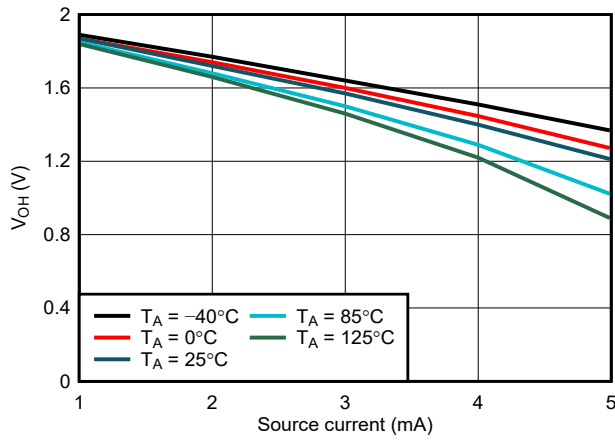


Figure 7-8. WDO V_{OH} vs I_{source} , $V_{DD} = 2.0$ V

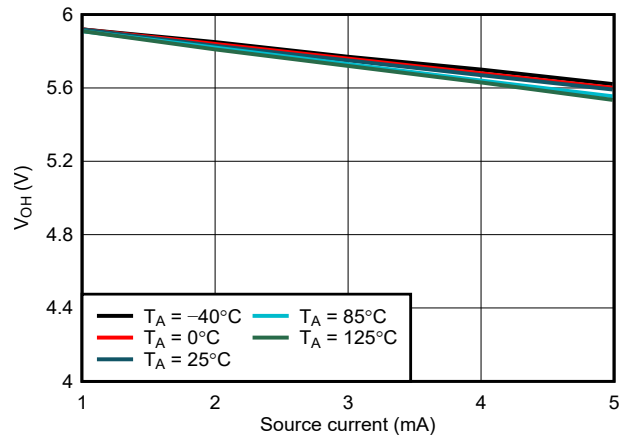


Figure 7-9. WDO V_{OH} vs I_{source} , $V_{DD} = 6.0$ V

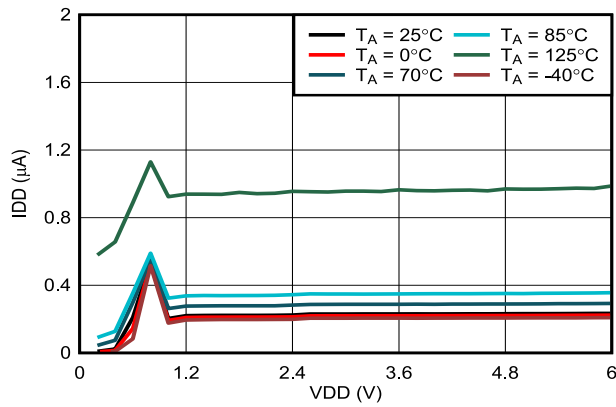


Figure 7-10. Supply Current vs Power-Supply Voltage

8 Detailed Description

8.1 Overview

The TPS3435 is a high-accuracy timeout watchdog timer device. The device family supports multiple features related to watchdog operation in a compact 6 pin WSON and 8 pin SOT23 package. The devices are available in 5 different pinout configurations. Each pinout offers access to different features to meet the various application requirements.

8.2 Functional Block Diagrams

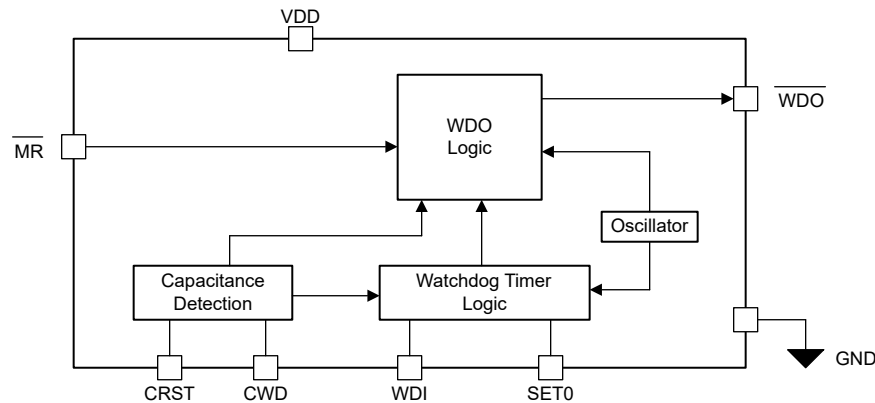


Figure 8-1. Pinout Option A

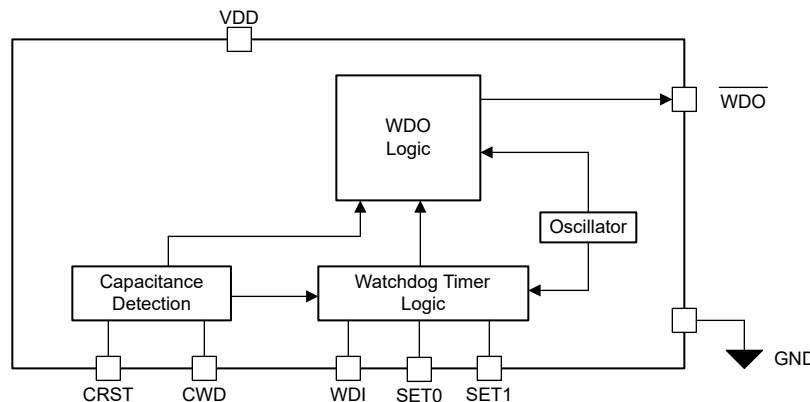


Figure 8-2. Pinout Option B

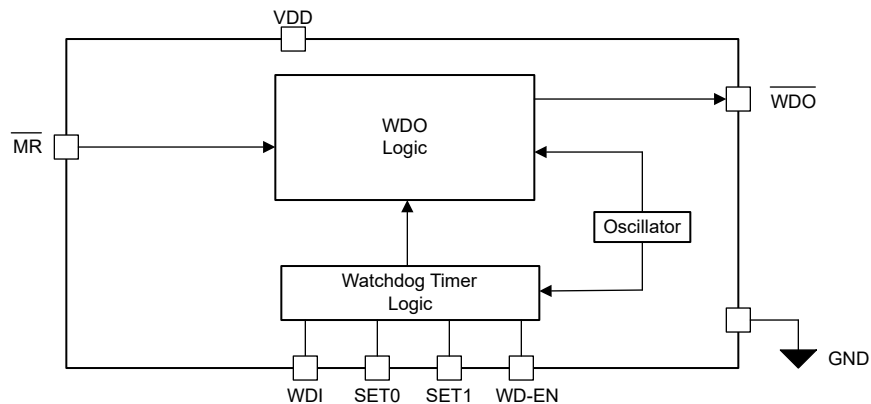


Figure 8-3. Pinout Option C

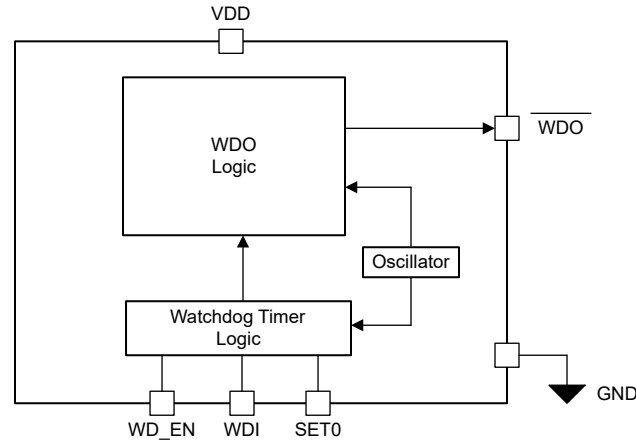


Figure 8-4. Pinout Option J

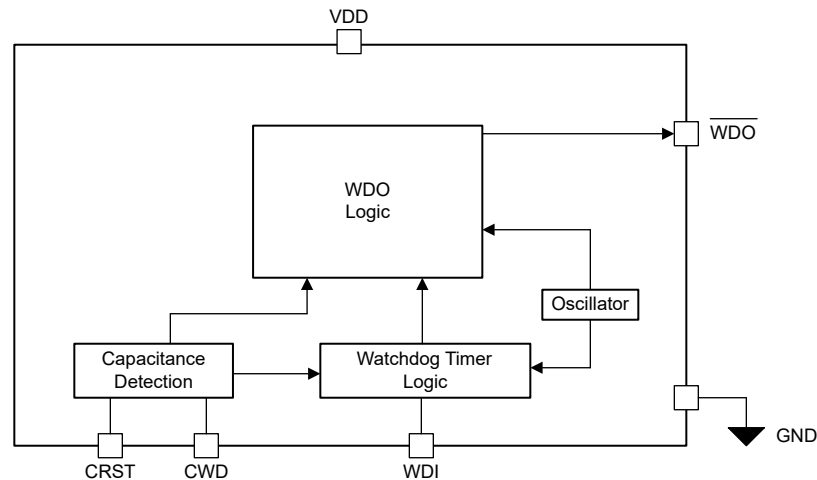


Figure 8-5. Pinout Option K

8.3 Feature Description

8.3.1 Timeout Watchdog Timer

The TPS3435 offers high precision timeout watchdog timer monitoring. The device is available in multiple pinout options A to K which support multiple features to meet ever expanding needs of various applications. Ensure a correct pinout is selected to meet the application needs.

The timeout watchdog is active when the VDD voltage is higher than the VDD_{MIN} , \overline{MR} voltage is held higher than $0.7 \times VDD$ and watchdog is enabled. TPS3435 family offers various startup time delay options to ensure enough time is available for the host to complete boot operation. Please refer [Section 8.3.1.3](#) for additional details.

The timeout watchdog timer monitors the WDI pin for falling edge in the time frame defined by t_{WD} time period. Refer [Section 8.3.1.1](#) section to arrive at the relevant t_{WD} value needed for application. The timer value is reset when a valid falling edge is detected on WDI pin in the t_{WD} time duration. When a valid WDI transition is not detected in t_{WD} time, the device asserts WDO output. The WDO is asserted for time t_{WDO} . Refer [Section 8.3.3](#) to arrive at the relevant t_{WDO} value needed for application.

[Figure 8-6](#) shows the basic operation for timeout watchdog timer operation. The TPS3435 watchdog functionality supports multiple features. Details are available in following sub sections.

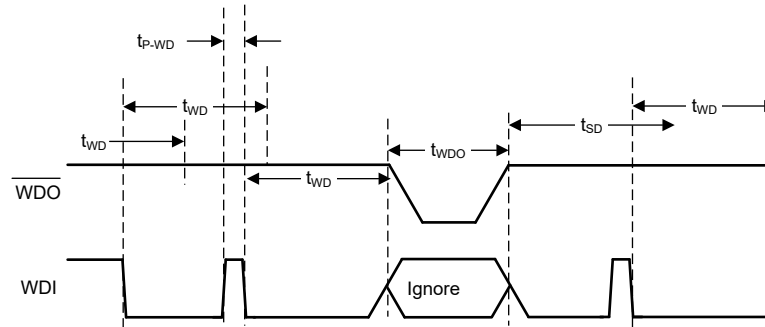


Figure 8-6. Timeout Watchdog Timer Operation

8.3.1.1 t_{WD} Timer

The t_{WD} timer for TPS3435 can be set using an external capacitor connected between CWD pin and GND pin. This feature is available with pinout options A or B or K. Applications which are space constrained or need timer values which meet offered timer options, can benefit when using pinout options C or J. The TPS3435 offers multiple fixed timer options ranging from 1 msec up-to 100 sec.

The TPS3435, when using capacitance based timer, senses the capacitance value during the power up. The capacitor is charged and discharged with known internal current source for one cycle to sense the capacitance value. The sensed value is used to arrive at t_{WD} timer for the watchdog operation. This unique implementation helps reduce the continuous charge and discharge current for the capacitor, thus reducing overall current consumption. Continuous charge and discharge of capacitance creates wider dead time (no watchdog monitor functionality) when capacitor is discharging. The dead time is higher for high value of capacitance. The unique implementation of TPS3435 helps avoid the dead time as the capacitance is not continuously charging or discharging under normal operation. Ensure C_{CWD} is $< 200 \times C_{CRST}$ for accurate calibration of capacitance. Equation 1 highlights the relationship between t_{WD} in second and C_{CWD} capacitance in farad. The t_{WD} timer is 20% accurate for an ideal capacitor. Accuracy of the capacitance will have additional impact on the t_{WD} time. Ensure the capacitance meets the recommended operating range. Capacitance outside the recommended range can lead to incorrect operation of the device.

$$t_{WD} \text{ (sec)} = 4.95 \times 10^6 \times C_{CWD} \text{ (F)} \quad (1)$$

The TPS3435 also offers wide selection of high accuracy fixed timer options starting from 1 msec to 100 sec including various industry standard values. The TPS3435 fixed time options are $\pm 10\%$ accurate for $t_{WD} \geq 10$ msec. For $t_{WD} < 10$ msec, the accuracy is $\pm 20\%$. t_{WD} value relevant to application can be identified from the orderable part number. Refer Section 5 section to identify mapping of orderable part number to t_{WD} value.

The TPS3435 offers flexibility to change the t_{WD} value on the fly by controlling the logic levels on the SETx pins. Section 8.3.1.4 section explains the advantages offered by this feature and the device behavior with various SETx pin combinations.

8.3.1.2 Watchdog Enable Disable Operation

The TPS3435 supports watchdog enable or disable functionality. This functionality is critical for different use cases as listed below.

- Disable watchdog during firmware update to avoid host RESET.
- Disable watchdog during software step-by-step debug operation.
- Disable watchdog when performing critical task to avoid watchdog error interrupt.
- Keep watchdog disabled until host boots up.

The TPS3435 supports watchdog enable or disable functionality through either WD-EN pin or SET[1:0] = 0b'01 logic combination or by keeping WDI pin in the floating state. For a given pinout only one of these three methods is available for the user to disable watchdog operation.

For a pinout which offers a WD-EN pin, the watchdog enable disable functionality is controlled by the logic state of WD-EN pin. Drive WD-EN = 1 to enable the watchdog operation or drive WD-EN = 0 to disable the watchdog

operation. The WD-EN pin can be toggled any time during the device operation. The Figure 8-7 diagram shows timing behavior with WD-EN pin control.

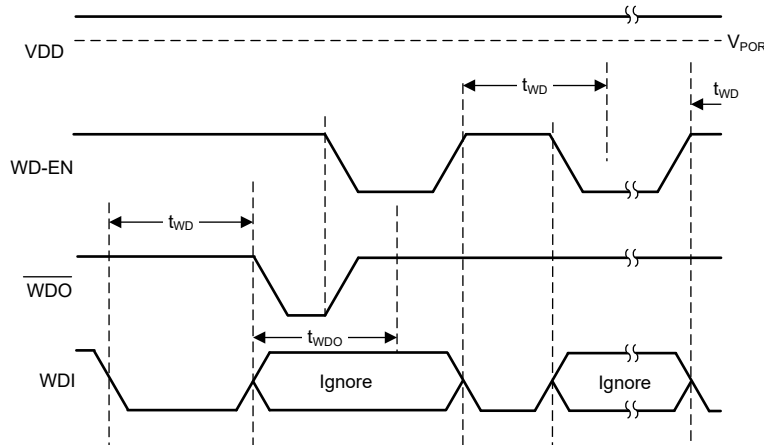


Figure 8-7. Watchdog Enable: WD-EN Pin Control

SET[1:0] = 0b'01 combination can be used to disable watchdog operation with a pinout which offers SET1 and SET0 pins, but does not include WD-EN pin. The SET pin logic states can be changed at any time during watchdog operation. Refer Section 8.3.1.4 section for additional details regarding SET[1:0] pin behavior.

A pinout which does not offer WD-EN or SET[1:0] pins uses WDI float pin status to disable the watchdog operation. Users can float the WDI pin during normal operation to disable the watchdog. To enable watchdog, drive the WDI pin and apply a valid edge to trigger the watchdog. It is recommended to drive HIGH and then LOW when exiting the WDI float state.

Pinout options A, B, K offer watchdog timer control using a capacitance connected between CWD and GND pin. A capacitance value higher than recommended or connect to GND leads to watchdog functionality getting disabled. Note, capacitance value is detected and latched during start-up or after an error event. Changing capacitance on the fly does not enable or disable watchdog operation. A power supply recycle is needed to detect change in capacitance.

When watchdog is disabled the ongoing frame will be terminated and WDO will stay deasserted. When enabled the device will immediately enter t_{WD} frame and start watchdog monitoring operation.

8.3.1.3 t_{SD} Watchdog Start Up Delay

The TPS3435 supports watchdog startup delay feature. This feature is activated after power up or after WDO assert event. When t_{SD} frame is active, the device monitors the WDI pin but the WDO output is not asserted. This feature allows time for the host complete boot process before watchdog monitoring can take over. The start up delay helps avoid unexpected WDO assert events during boot. The t_{SD} time is predetermined based on the device part number selected. Refer Section 5 section for details to map the part number to t_{SD} time. Pinout option A, B, K are available only in no delay or 10 sec start up delay options.

The t_{SD} frame is complete when the time duration selected for t_{SD} is over or host provides a valid transition on the WDI pin. The host must provide a valid transition on the WDI pin during t_{SD} time. The device exits the t_{SD} frame and enters watchdog monitoring phase after valid WDI transition. Failure to provide valid transition on WDI pin triggers the watchdog error by asserting the WDO output pin.

The t_{SD} frame is not initiated when the watchdog functionality is enabled using WD-EN pin or SET[1:0] pin or WDI float functionality as described in Section 8.3.1.2 section.

Figure 8-8 diagram shows the operation for t_{SD} time frame.

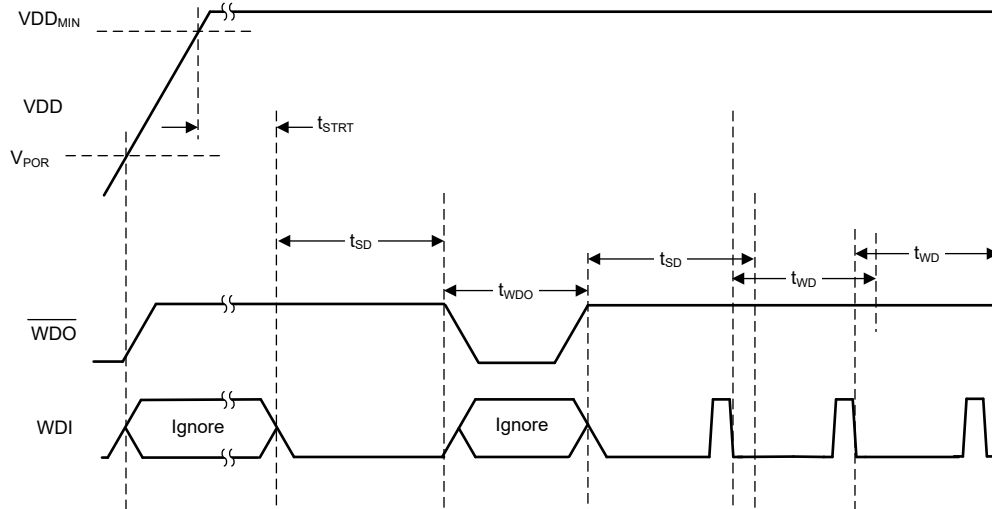


Figure 8-8. t_{SD} Frame Behavior

8.3.1.4 SET Pin Behavior

The TPS3435 offers one or two SET pins based on the pinout option selected. SET pins offer flexibility to the user to program the t_{WD} timer on the fly to meet various application requirements. Typical use cases where SET pin can be used are:

- Use wide timeout timer when host is in sleep mode, change to small timeout operation when host is operational. Watchdog can be used to wake up the host after long duration to perform the application related activities before going back to sleep.
- Change to wide timeout timer when performing system critical tasks to make sure the watchdog does not interrupt the critical task. Change timer to application specified interval after the critical task is complete.

The t_{WD} timer value for the device is combination of timer selection based on the CWD pin or fixed timer value along with SET pin logic level. The base t_{WD} timer value is decided based on the Watchdog Time selector in the [Section 5](#) section. The SET pin logic level is decoded during the device power up. The SET pin value can be changed any time during the operation. SETx pin change which leads to change of watchdog timer value or enable/disable state, terminates the ongoing watchdog frame immediately. SETx pins can be updated when WDO output is asserted as well. The updated t_{WD} timer value will be applied after output is deasserted and the t_{SD} timer is over or terminated.

For a pinout which offers only SET0 pin to the user, the t_{WD} multiplier value is decided based on the Watchdog Time Scaling selector in the [Section 5](#) section. [Table 8-1](#) showcases an example of the t_{WD} values for different SET0 logic levels when using Watchdog Time setting as option D = 10 msec.

Table 8-1. t_{WD} Scaling with SET0 Pin Only

WATCHDOG TIME SCALING SELECTION	t_{WD}	
	SET0 = 0	SET0 = 1
A	10 msec	20 msec
B	10 msec	40 msec
C	10 msec	80 msec
D	10 msec	160 msec
E	10 msec	320 msec
F	10 msec	640 msec
G	10 msec	1280 msec

For pinouts which offer both SET0 & SET1 pins to the user, the t_{WD} multiplier value is decided based on the Watchdog Time Scaling selector in the [Section 5](#) section. Two SETx pins offer 3 different time scaling options. The SET[1:0] = 0b'01 combination disables the watchdog operation. [Table 8-2](#) showcases an example of the

t_{WD} values for different SET[1:0] logic levels when using Watchdog Time setting as option G = 100 msec. The package pin out selected does not offer WD-EN pin.

Table 8-2. t_{WD} Scaling with SET0 & SET1 Pins, WD-EN Pin Not Available

WATCHDOG TIME SCALING SELECTION	t_{WD}			
	SET[1:0] = 0b'00	SET[1:0] = 0b'01	SET[1:0] = 0b'10	SET[1:0] = 0b'11
A	100 msec	Watchdog disable	200 msec	400 msec
B	100 msec	Watchdog disable	400 msec	800 msec
C	100 msec	Watchdog disable	800 msec	1600 msec
D	100 msec	Watchdog disable	1600 msec	3200 msec
E	100 msec	Watchdog disable	3200 msec	6400 msec
F	100 msec	Watchdog disable	6400 msec	12800 msec
G	100 msec	Watchdog disable	12800 msec	25600 msec

Selected pinout option can offer WD-EN pin along with SET[1:0] pins. With this pinout, the WD-EN pin controls watchdog enable and disable operation. The SET[1:0] = 0b'01 combination operates as SET[1:0] = 0b'00.

Make sure the t_{WD} value with SETx multiplier does not exceed 640 sec. If a selection of timer and multiplier results in $t_{WD} > 640$ sec, the timer value will be restricted to 640 sec.

Figure 8-9 to Figure 8-11 diagrams show the timing behavior with respect to SETx status changes.

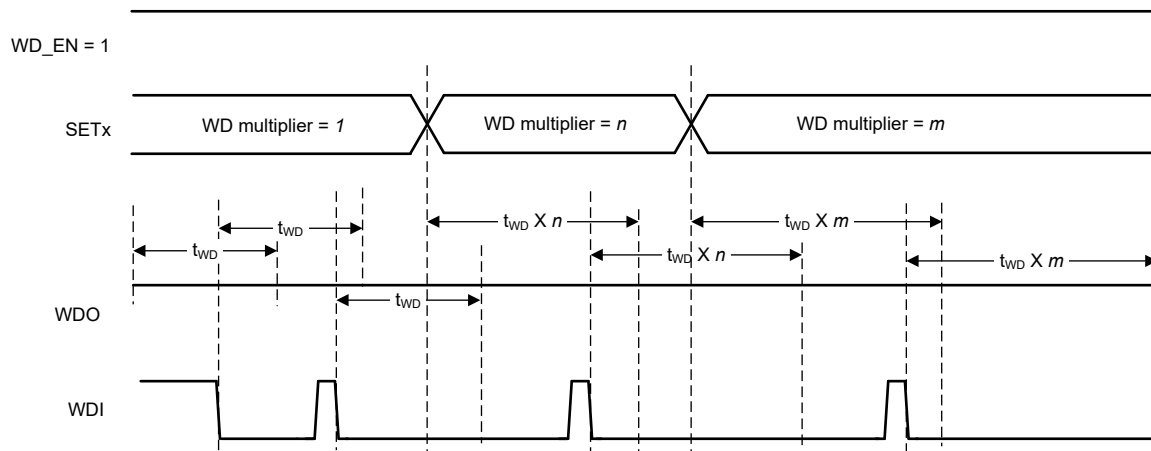
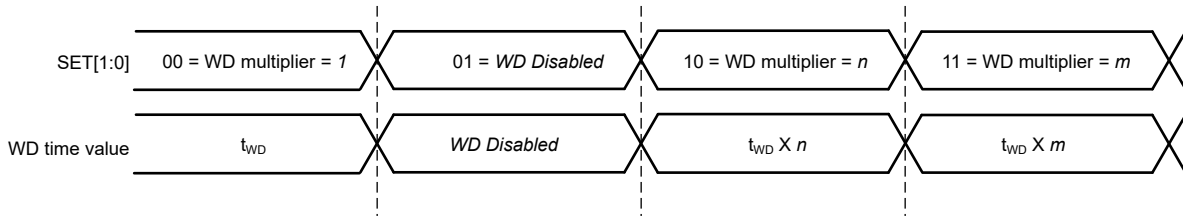
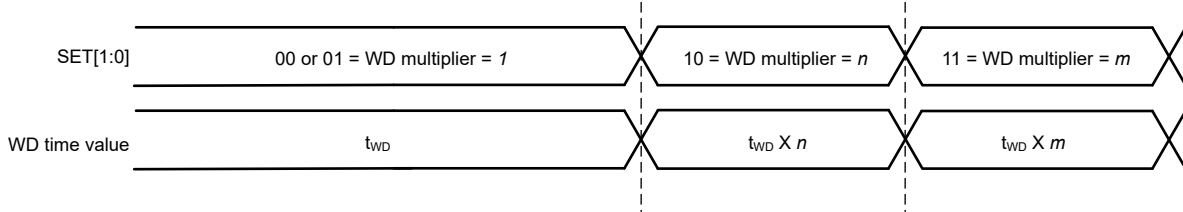


Figure 8-9. Watchdog Behavior with SETx Pin Status

SET Pin (2 Pins) Operation; WD_EN Pin Not Available

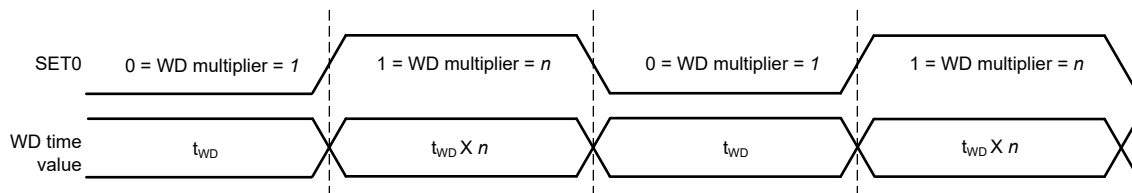


SET Pin (2 Pins) Operation; WD_EN Available = 1



t_{WD} = Fixed based on OPN or programmable using capacitor
 n, m = Fixed based on timeset multiplier chosen

Figure 8-10. Watchdog Operation with 2 SET Pins



t_{WD} = Fixed based on OPN or programmable using capacitor
 n = Fixed based on timeset multiplier chosen

Figure 8-11. Watchdog Operation with 1 SET Pin

8.3.2 Manual RESET

The TPS3435 supports manual reset functionality using \overline{MR} pin. \overline{MR} pin when driven with voltage lower than $0.3 \times V_{DD}$, asserts the WDO output. The \overline{MR} pin has $100 \text{ k}\Omega$ pull up to V_{DD} . The \overline{MR} pin can be left floating. The internal pull up will ensure the output is not asserted due to \overline{MR} pin trigger.

The output is deasserted after \overline{MR} pin voltage rises above $0.7 \times V_{DD}$ voltage. Refer [Figure 8-12](#) for more details.

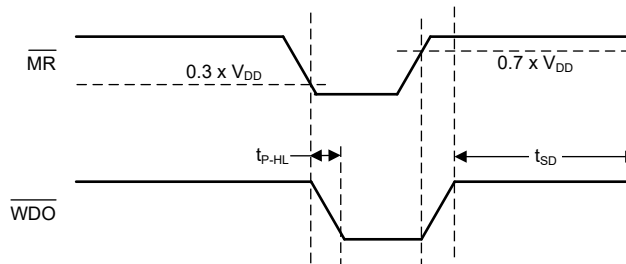


Figure 8-12. \overline{MR} Pin Response

8.3.3 WDO Output

The TPS3435 device offers WDO output pin. WDO output is asserted when $\overline{\text{MR}}$ pin voltage is lower than $0.3 \times \text{VDD}$ or watchdog timer error is detected.

The output will be asserted for t_{WDO} time when any relevant events described above are detected, except for $\overline{\text{MR}}$ event. The time t_{WDO} can be programmed by connecting a capacitor between CRST pin and GND or device will assert t_{WDO} for fixed time duration as selected by orderable part number. Refer [Section 5](#) section for all available options.

[Equation 2](#) describes the relationship between capacitor value and the time t_{WDO} . Ensure the capacitance meets the recommended operating range. Capacitance outside the recommended range can lead to incorrect operation of the device.

$$t_{\text{WDO}} (\text{sec}) = 4.95 \times 10^6 \times C_{\text{CRST}} (\text{F}) \quad (2)$$

TPS3435 also offers a unique option of latched output. An orderable with latched output will hold the output in asserted state indefinitely until the device is power cycled or the error condition is addressed. If the output is latched due to $\overline{\text{MR}}$ pin low voltage, the output latch will be released when $\overline{\text{MR}}$ pin voltage rises above $0.7 \times V_{\text{DD}}$ level. If the output is latched due to watchdog timer error, the output latch will be released when a WDI negative edge is detected or the device is shutdown and powered up again.

8.4 Device Functional Modes

[Table 8-3](#) summarizes the functional modes of the TPS3435.

Table 8-3. Device Functional Modes

VDD	Watchdog Status	WDI	WDO
$V_{\text{DD}} < V_{\text{POR}}$	Not Applicable	—	Undefined
$V_{\text{POR}} \leq V_{\text{DD}} < V_{\text{DDmin}}$	Not Applicable	Ignored	High
$V_{\text{DD}} \geq V_{\text{DDmin}}$	Disabled	Ignored	High
	Enabled	$t_{\text{pulse}}^{(1)} < t_{\text{WD(min)}}$	High
	Enabled	$t_{\text{pulse}}^{(1)} > t_{\text{WD(max)}}$	Low

(1) Where t_{pulse} is the time between falling edges on WDI.

9 Application and Implementation

Note

Information in the following applications sections is not part of the TI component specification, and TI does not warrant its accuracy or completeness. TI's customers are responsible for determining suitability of components for their purposes, as well as validating and testing their design implementation to confirm system functionality.

9.1 Application Information

The following sections describe in detail proper device implementation, depending on the final application requirements.

9.1.1 Output Assert Delay

The TPS3435 features two options for setting the output assert delay (t_{WDO}): using a fixed timing and programming the timing through an external capacitor.

9.1.1.1 Factory-Programmed Output Assert Delay Timing

Fixed output assert delay timings are available using pinout C and J. Using these timings enables a high-precision, 10% accurate output assert delay timing.

9.1.1.2 Adjustable Capacitor Timing

The TPS3435 also utilizes a programmable output assert delay, using a precision current source to charge an external capacitor upon device startup. By monitoring the voltage on the CRST pin, the TPS3435 can be programmed to have a desired output assert delay. The typical delay time resulting from a given external capacitance on the CRST pin can be calculated by Equation 3, where t_{WDO} is the output assert delay time in seconds and C_{CRST} is the capacitance in microfarads.

$$t_{WDO} \text{ (sec)} = 4.95 \times 10^6 \times C_{CRST} \text{ (F)} \quad (3)$$

Note that in order to minimize the difference between the calculated output assert delay time and the actual output assert delay time, use a high-quality ceramic dielectric COG, X5R, or X7R capacitor and minimize parasitic board capacitance around this pin. Table 9-1 lists the output assert delay time ideal capacitor values for C_{CRST} .

Table 9-1. Output Assert Delay Time for Common Ideal Capacitor Values

C_{CRST}	OUTPUT ASSERT DELAY TIME (t_{WDO})			UNIT
	MIN ⁽¹⁾	TYP	MAX ⁽¹⁾	
10 nF	39.6	49.5	59.4	ms
100 nF	396	495	594	ms
1 μ F	3960	4950	5940	ms

(1) Minimum and maximum values are calculated using ideal capacitors.

9.1.2 Watchdog Timer Functionality

The TPS3435 features two options for setting the watchdog timer (t_{WD}): using a fixed timing and programming the timing through an external capacitor.

9.1.2.1 Factory-Programmed Timing Options

Fixed watchdog timeout options are available using pinout C and J. Using these timings enables a high-precision, 10% accurate watchdog timer t_{WD} .

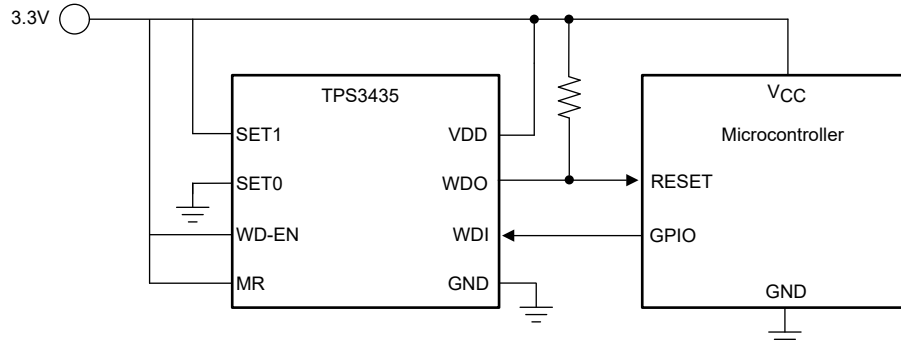
9.1.2.2 Adjustable Capacitor Timing

Adjustable t_{WD} timing is achievable by connecting a capacitor to the CWD pin. If this method is used, please consult [Equation 1](#) for calculating typical t_{WD} values using ideal capacitors. Capacitor tolerances cause the actual device timing to vary such that the minimum of t_{WD} can decrease and the maximum of t_{WD} can increase by the capacitor tolerance. For the most accurate timing, use ceramic capacitors with COG dielectric material.

9.2 Typical Applications

9.2.1 Design 1: Monitoring a Standard Microcontroller for Timeouts

This example application uses the TPS3435CDDBBDDFR to monitor a microcontroller to ensure it is not stalled during operation.



Copyright © 2022, Texas Instruments Incorporated

Figure 9-1. Microcontroller Watchdog Monitoring Circuit

9.2.1.1 Design Requirements

PARAMETER	DESIGN REQUIREMENT	DESIGN RESULT
Watchdog Timeout Period	Typical timeout period of 40 ms	Typical timeout period of 40 ms
Watchdog Output Assert Delay	Typical output assert of 2 ms	Typical output assert of 2 ms
Startup Delay	Minimum startup delay of 700 ms	Minimum startup delay of 900 ms
Output logic voltage	Open-drain	Open-drain
Maximum device current consumption	20 μ A	250 nA typical, 3.0 μ A maximum ⁽¹⁾

(1) Only includes the current consumption of the TPS3435.

9.2.1.2 Detailed Design Procedure

9.2.1.2.1 Setting the Watchdog Timeout Period

The watchdog timeout design requirement can be met either by using a fixed-timeout version of the TPS3435 or by connecting a capacitor between the CWD pin and GND. The typical values can be met with preprogrammed fixed time options, hence a pinout offering fixed time options is selected. Please see the [Section 7.6](#) for a list of fixed timeouts. If using the CWD feature, please refer to [Section 8.3.1.1](#) for instructions on how to program the timeout period. In this application example, the 40 ms timeout watchdog period is achieved by using watchdog time of 10ms (option D) and watchdog time scaling of 4 (option B). Connect SET[1:0] = 0b'10 to select watchdog time scaling of 4.

9.2.1.2.2 Setting Output Assert Delay

Please see the [Section 7.7](#) for a list of fixed timeouts. Timeout option B was chosen in order to meet the design requirement for a 2 ms typical timeout.

9.2.1.2.3 Setting the Startup Delay

Startup delay option D is chosen, which offers a startup delay of 1 s. This accounts for the minimum specification of 700 ms.

9.2.1.2.4 Calculating the $\overline{\text{WDO}}$ Pullup Resistor

The TPS3435 uses an open-drain configuration for the $\overline{\text{WDO}}$ output, as shown in Figure 9-2. When the FET is off, the resistor pulls the drain of the transistor to VDD and when the FET is turned on, the FET pulls the output to ground, thus creating an effective resistor divider. The resistors in this divider must be chosen to ensure that V_{OL} is below its maximum value. To choose the proper pullup resistor, there are three key specifications to keep in mind: the pullup voltage (V_{PU}), the recommended maximum $\overline{\text{WDO}}$ pin current (I_{Sink}), and V_{OL} . The maximum V_{OL} is 0.3 V, meaning that the effective resistor divider created must be able to bring the voltage on the reset pin below 0.3 V with I_{Sink} kept below 2 mA for $V_{DD} \geq 3$ V and 500 μA for $V_{DD} = 1.5$ V. For this example, with a $V_{PU} = V_{DD} = 1.5$ V, a resistor must be chosen to keep I_{Sink} below 500 μA because this value is the maximum consumption current allowed. To ensure this specification is met, a pullup resistor value of 10 k Ω was selected, which sinks a maximum of 150 μA when $\overline{\text{WDO}}$ is asserted.

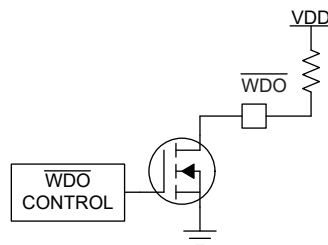
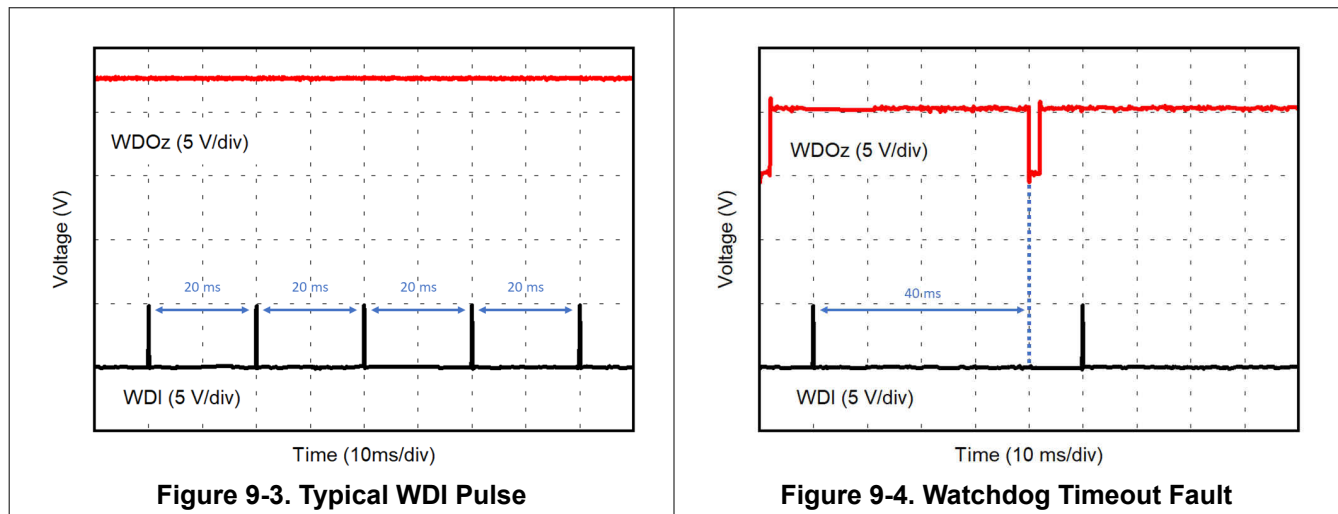


Figure 9-2. Open-Drain $\overline{\text{WDO}}$ Configuration

9.2.1.3 Application Curves



10 Power Supply Recommendations

This device is designed to operate from an input supply with a voltage range between 1.04 V and 6.5 V. An input supply capacitor is not required for this device; however, if the input supply is noisy, then good analog practice is to place a 0.1- μF capacitor between the VDD pin and the GND pin.

11 Layout

11.1 Layout Guidelines

Make sure that the connection to the VDD pin is low impedance. Good analog design practice recommends placing a 0.1- μ F ceramic capacitor as near as possible to the VDD pin. If a capacitor is not connected to the CRST pin, then minimize parasitic capacitance on this pin so the \overline{WDO} delay time is not adversely affected.

- Make sure that the connection to the VDD pin is low impedance. Good analog design practice is to place a 0.1- μ F ceramic capacitor as near as possible to the VDD pin.
- Place C_{CRST} capacitor as close as possible to the CRST pin.
- Place C_{CWD} capacitor as close as possible to the CWD pin.
- Place the pullup resistor on the \overline{WDO} pin as close to the pin as possible.

11.2 Layout Example

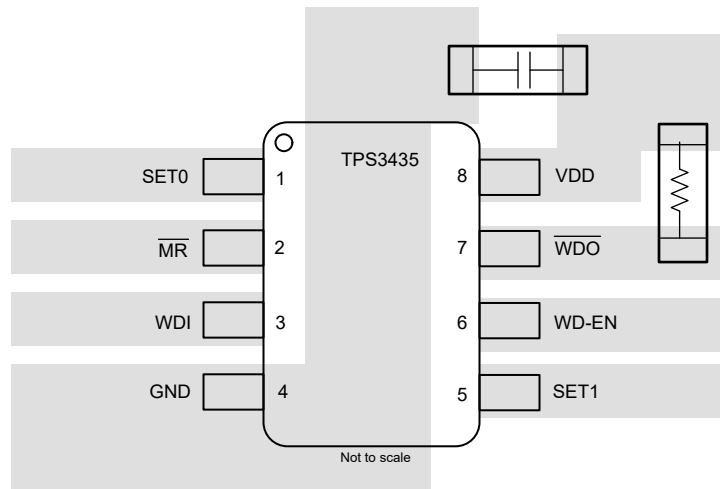


Figure 11-1. Typical Layout for the TPS3435

12 Device and Documentation Support

12.1 Receiving Notification of Documentation Updates

To receive notification of documentation updates, navigate to the device product folder on ti.com. Click on *Subscribe to updates* to register and receive a weekly digest of any product information that has changed. For change details, review the revision history included in any revised document.

12.2 Support Resources

TI E2E™ [support forums](#) are an engineer's go-to source for fast, verified answers and design help — straight from the experts. Search existing answers or ask your own question to get the quick design help you need.

Linked content is provided "AS IS" by the respective contributors. They do not constitute TI specifications and do not necessarily reflect TI's views; see TI's [Terms of Use](#).

12.3 Trademarks

TI E2E™ is a trademark of Texas Instruments.
All trademarks are the property of their respective owners.

12.4 Electrostatic Discharge Caution



This integrated circuit can be damaged by ESD. Texas Instruments recommends that all integrated circuits be handled with appropriate precautions. Failure to observe proper handling and installation procedures can cause damage.

ESD damage can range from subtle performance degradation to complete device failure. Precision integrated circuits may be more susceptible to damage because very small parametric changes could cause the device not to meet its published specifications.

12.5 Glossary

[TI Glossary](#) This glossary lists and explains terms, acronyms, and definitions.

13 Mechanical, Packaging, and Orderable Information

The following pages include mechanical, packaging, and orderable information. This information is the most current data available for the designated devices. This data is subject to change without notice and revision of this document. For browser-based versions of this data sheet, refer to the left-hand navigation.

PACKAGING INFORMATION

Orderable Device	Status (1)	Package Type	Package Drawing	Pins	Package Qty	Eco Plan (2)	Lead finish/ Ball material (6)	MSL Peak Temp (3)	Op Temp (°C)	Device Marking (4/5)	Samples
TPS3435CAIEGDDFR	ACTIVE	SOT-23-THIN	DDF	8	3000	RoHS & Green	NIPDAU	Level-1-260C-UNLIM		NLHOG	Samples
TPS3435CAKAGDDFR	ACTIVE	SOT-23-THIN	DDF	8	3000	RoHS & Green	NIPDAU	Level-1-260C-UNLIM	-40 to 125	NLHOA	Samples

(1) The marketing status values are defined as follows:

ACTIVE: Product device recommended for new designs.

LIFEBUY: TI has announced that the device will be discontinued, and a lifetime-buy period is in effect.

NRND: Not recommended for new designs. Device is in production to support existing customers, but TI does not recommend using this part in a new design.

PREVIEW: Device has been announced but is not in production. Samples may or may not be available.

OBSELETE: TI has discontinued the production of the device.

(2) **RoHS:** TI defines "RoHS" to mean semiconductor products that are compliant with the current EU RoHS requirements for all 10 RoHS substances, including the requirement that RoHS substance do not exceed 0.1% by weight in homogeneous materials. Where designed to be soldered at high temperatures, "RoHS" products are suitable for use in specified lead-free processes. TI may reference these types of products as "Pb-Free".

RoHS Exempt: TI defines "RoHS Exempt" to mean products that contain lead but are compliant with EU RoHS pursuant to a specific EU RoHS exemption.

Green: TI defines "Green" to mean the content of Chlorine (Cl) and Bromine (Br) based flame retardants meet JS709B low halogen requirements of <=1000ppm threshold. Antimony trioxide based flame retardants must also meet the <=1000ppm threshold requirement.

(3) MSL, Peak Temp. - The Moisture Sensitivity Level rating according to the JEDEC industry standard classifications, and peak solder temperature.

(4) There may be additional marking, which relates to the logo, the lot trace code information, or the environmental category on the device.

(5) Multiple Device Markings will be inside parentheses. Only one Device Marking contained in parentheses and separated by a "~" will appear on a device. If a line is indented then it is a continuation of the previous line and the two combined represent the entire Device Marking for that device.

(6) Lead finish/Ball material - Orderable Devices may have multiple material finish options. Finish options are separated by a vertical ruled line. Lead finish/Ball material values may wrap to two lines if the finish value exceeds the maximum column width.

Important Information and Disclaimer:The information provided on this page represents TI's knowledge and belief as of the date that it is provided. TI bases its knowledge and belief on information provided by third parties, and makes no representation or warranty as to the accuracy of such information. Efforts are underway to better integrate information from third parties. TI has taken and continues to take reasonable steps to provide representative and accurate information but may not have conducted destructive testing or chemical analysis on incoming materials and chemicals. TI and TI suppliers consider certain information to be proprietary, and thus CAS numbers and other limited information may not be available for release.

In no event shall TI's liability arising out of such information exceed the total purchase price of the TI part(s) at issue in this document sold by TI to Customer on an annual basis.

OTHER QUALIFIED VERSIONS OF TPS3435 :

- Automotive : [TPS3435-Q1](#)

NOTE: Qualified Version Definitions:

- Automotive - Q100 devices qualified for high-reliability automotive applications targeting zero defects

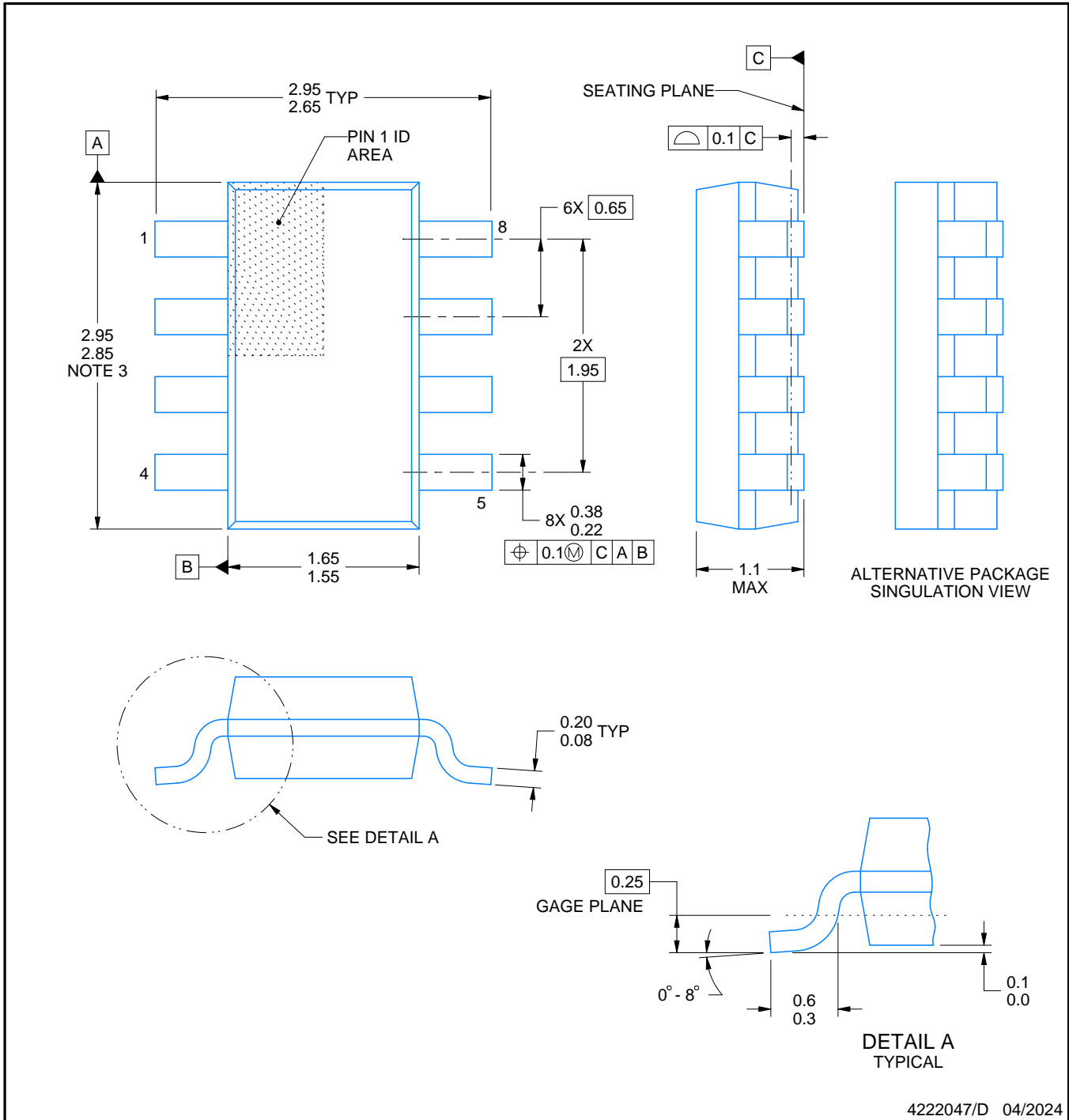
DDF0008A



PACKAGE OUTLINE

SOT-23 - 1.1 mm max height

PLASTIC SMALL OUTLINE



4222047/D 04/2024

NOTES:

1. All linear dimensions are in millimeters. Any dimensions in parenthesis are for reference only. Dimensioning and tolerancing per ASME Y14.5M.
2. This drawing is subject to change without notice.
3. This dimension does not include mold flash, protrusions, or gate burrs. Mold flash, protrusions, or gate burrs shall not exceed 0.15 mm per side.

EXAMPLE BOARD LAYOUT

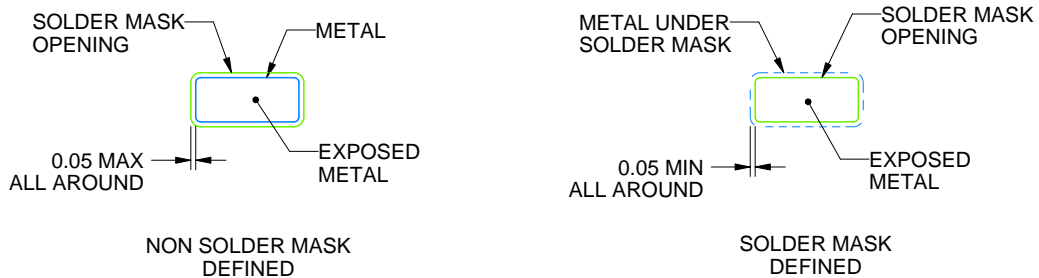
DDF0008A

SOT-23 - 1.1 mm max height

PLASTIC SMALL OUTLINE



LAND PATTERN EXAMPLE
EXPOSED METAL SHOWN
SCALE:15X



SOLDER MASK DETAILS

4222047/D 04/2024

NOTES: (continued)

- 4. Publication IPC-7351 may have alternate designs.
- 5. Solder mask tolerances between and around signal pads can vary based on board fabrication site.

EXAMPLE STENCIL DESIGN

DDF0008A

SOT-23 - 1.1 mm max height

PLASTIC SMALL OUTLINE



SOLDER PASTE EXAMPLE
BASED ON 0.125 mm THICK STENCIL
SCALE:15X

4222047/D 04/2024

NOTES: (continued)

6. Laser cutting apertures with trapezoidal walls and rounded corners may offer better paste release. IPC-7525 may have alternate design recommendations.
7. Board assembly site may have different recommendations for stencil design.

IMPORTANT NOTICE AND DISCLAIMER

TI PROVIDES TECHNICAL AND RELIABILITY DATA (INCLUDING DATA SHEETS), DESIGN RESOURCES (INCLUDING REFERENCE DESIGNS), APPLICATION OR OTHER DESIGN ADVICE, WEB TOOLS, SAFETY INFORMATION, AND OTHER RESOURCES "AS IS" AND WITH ALL FAULTS, AND DISCLAIMS ALL WARRANTIES, EXPRESS AND IMPLIED, INCLUDING WITHOUT LIMITATION ANY IMPLIED WARRANTIES OF MERCHANTABILITY, FITNESS FOR A PARTICULAR PURPOSE OR NON-INFRINGEMENT OF THIRD PARTY INTELLECTUAL PROPERTY RIGHTS.

These resources are intended for skilled developers designing with TI products. You are solely responsible for (1) selecting the appropriate TI products for your application, (2) designing, validating and testing your application, and (3) ensuring your application meets applicable standards, and any other safety, security, regulatory or other requirements.

These resources are subject to change without notice. TI grants you permission to use these resources only for development of an application that uses the TI products described in the resource. Other reproduction and display of these resources is prohibited. No license is granted to any other TI intellectual property right or to any third party intellectual property right. TI disclaims responsibility for, and you will fully indemnify TI and its representatives against, any claims, damages, costs, losses, and liabilities arising out of your use of these resources.

TI's products are provided subject to [TI's Terms of Sale](#) or other applicable terms available either on [ti.com](https://www.ti.com) or provided in conjunction with such TI products. TI's provision of these resources does not expand or otherwise alter TI's applicable warranties or warranty disclaimers for TI products.

TI objects to and rejects any additional or different terms you may have proposed.

Mailing Address: Texas Instruments, Post Office Box 655303, Dallas, Texas 75265
Copyright © 2024, Texas Instruments Incorporated