

## TS3DV642-Q1 6-Gbps 12-Channel differential 1-to-2 and 2-to-1 mux

### 1 Features

- Automotive Q100 qualified
- Temperature range of -40 to 105 °C (grade 2)
- Support 6 differential or 12 single-ended signals or other differential/single ended combinations
- Supports HDMI 1.4b / 2.0, DisplayPort 1.4 HBR2, DP++, Mipi DPHY / CPHY DSI / CSI-2, LVDS
- Bidirectional analog mux - handles most electrical signals within 0 to 5.5 V and DC to 6 Gbps range
- 3-dB differential BW of 5.8 GHz
- Excellent dynamic characteristics
  - Insertion loss: -1.6 dB at 3.0 GHz
  - Return loss: -17 dB at 3.0 GHz
- Support 1.8 V, 3.3 V or 5.0 V control logic
- Single supply voltage of 3.3 V
- Low active (45  $\mu$ A) and standby power (6  $\mu$ A)
- I<sub>OFF</sub> protection that prevents current leakage when supply rail collapsed (V<sub>CC</sub> = 0 V)
- ESD Performance of 3 kV HBM and 1 kV CDM
- 42-pin, 3.5 x 9 mm, 0.5 mm pitch WQFN package with wettable flank

### 2 Applications

- Advanced driver assistance systems (ADAS)
- Automotive infotainment & cluster
- Rear seat entertainment
- Automotive head unit
- Aerospace & defense

### 3 Description

The TS3DV642-Q1 is an analog high-speed bidirectional passive switch in mux or demux configurations that works for many high-speed differential interfaces with data rates up to 6 Gbps. It is suited for many applications including HDMI 1.4 / 2.0, DisplayPort 1.4 and Mipi DPHY / CPHY DSI / CSI-2. The TS3DV642-Q1 supports both differential and single-ended signaling - virtually compatible to most standard and non standard interfaces. The dynamic characteristics of the TS3DV642-Q1 allows high-speed switching with minimal attenuation to the signal eye diagram, and with very little added jitter. The device's silicon design is optimized for excellent frequency response at higher frequency spectrum of the signals. The device supports differential signaling with common mode voltage range (CMV) of 0 to 3.6 V. The device also supports 0 - 5.5 V single-ended CMOS signals.

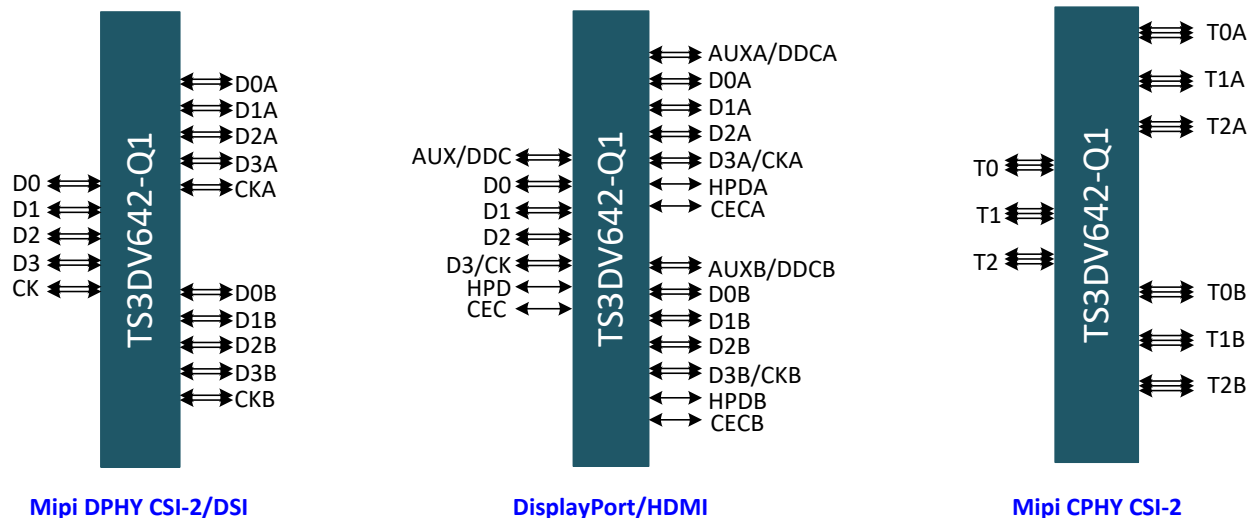
The TS3DV642-Q1 consumes very low active power of 45  $\mu$ A. The device also offers a power-down mode, in which all channels become Hi-Z and the device operates with minimal power.

#### Device Information <sup>(1)</sup>

| PART NUMBER | PACKAGE   | BODY SIZE (NOM)   |
|-------------|-----------|-------------------|
| TS3DV642-Q1 | WQFN (42) | 3.50 mm x 9.00 mm |

(1) For all available packages, see the orderable addendum at the end of the datasheet.

#### Simplified Use Cases



## Table of Contents

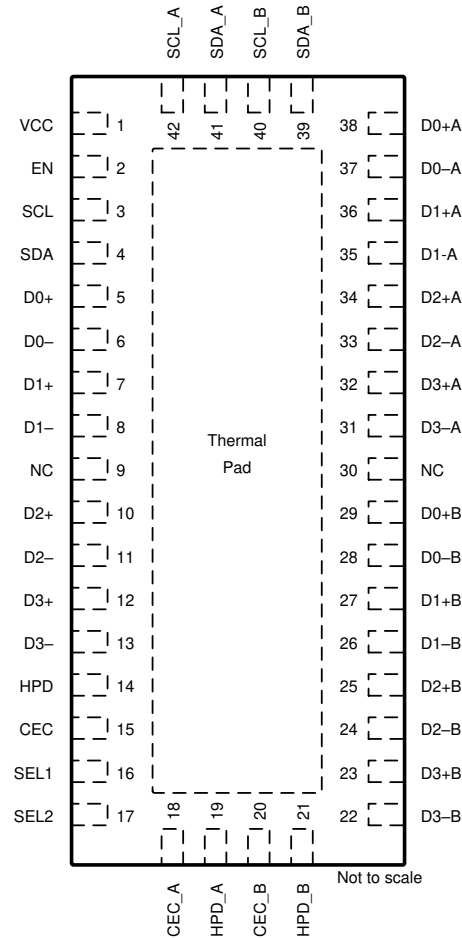
|  |    |  |    |
|--|----|--|----|
| <b>1 Features</b> .....                          | 1  | 8.4 Device Functional Modes.....                         | 14 |
| <b>2 Applications</b> .....                      | 1  | <b>9 Application and Implementation</b> .....            | 15 |
| <b>3 Description</b> .....                       | 1  | 9.1 Application Information.....                         | 15 |
| <b>4 Revision History</b> .....                  | 2  | 9.2 Typical Application - Demultiplexing HDMI Signals..  | 15 |
| <b>5 Pin Configuration and Functions</b> .....   | 3  | 9.3 Typical Application - Multiplexing HDMI Signals..... | 17 |
| <b>6 Specifications</b> .....                    | 5  | 9.4 Systems Examples.....                                | 18 |
| 6.1 Absolute Maximum Ratings .....               | 5  | <b>10 Power Supply Recommendations</b> .....             | 20 |
| 6.2 ESD Ratings .....                            | 5  | <b>11 Layout</b> .....                                   | 21 |
| 6.3 Recommended Operating Conditions .....       | 5  | 11.1 Layout Guidelines.....                              | 21 |
| 6.4 Thermal Information .....                    | 5  | 11.2 Layout Example.....                                 | 22 |
| 6.5 Electrical Characteristics .....             | 6  | <b>12 Device and Documentation Support</b> .....         | 23 |
| 6.6 High-Speed Performances .....                | 6  | 12.1 Receiving Notification of Documentation Updates..   | 23 |
| 6.7 Switching Characteristics .....              | 7  | 12.2 Support Resources.....                              | 23 |
| 6.8 Typical Characteristics.....                 | 8  | 12.3 Trademarks.....                                     | 23 |
| <b>7 Parameter Measurement Information</b> ..... | 11 | 12.4 Electrostatic Discharge Caution.....                | 23 |
| <b>8 Detailed Description</b> .....              | 13 | 12.5 Glossary.....                                       | 23 |
| 8.1 Overview.....                                | 13 | <b>13 Mechanical, Packaging, and Orderable</b>           |    |
| 8.2 Functional Block Diagram.....                | 13 | <b>Information</b> .....                                 | 23 |
| 8.3 Feature Description.....                     | 13 |  |    |

## 4 Revision History

NOTE: Page numbers for previous revisions may differ from page numbers in the current version.

| <b>Changes from Revision * (December 2020) to Revision A (May 2021)</b> | <b>Page</b> |
|---|-------------|
| • Updated device status to Production Data.....                         | 1           |

## 5 Pin Configuration and Functions



**Figure 5-1. 42 Pin WQFN RUA Package with exposed thermal pad - top view - not to scale**

**Table 5-1. Pin Functions**

| PIN   |     | TYPE  | DESCRIPTION                   |
|-------|-----|-------|-------------------------------|
| NAME  | NO. |       |                               |
| VCC   | 1   | Power | Supply Voltage                |
| SEL1  | 16  | I     | Select Input 1                |
| SEL2  | 17  | I     | Select Input 2                |
| EN    | 2   | I     | Device Enable                 |
| D0+A  | 38  | I/O   | Port A, Channel 0, +ve signal |
| D0-A  | 37  | I/O   | Port A, Channel 0, -ve signal |
| D1+A  | 36  | I/O   | Port A, Channel 1, +ve signal |
| D1-A  | 35  | I/O   | Port A, Channel 1, -ve signal |
| D2+A  | 34  | I/O   | Port A, Channel 2, +ve signal |
| D2-A  | 33  | I/O   | Port A, Channel 2, -ve signal |
| D3+A  | 32  | I/O   | Port A, Channel 3, +ve signal |
| D3-A  | 31  | I/O   | Port A, Channel 3, -ve signal |
| SCL_A | 42  | I/O   | Port A, DDC Clock             |
| SDA_A | 41  | I/O   | Port A, DDC Data              |
| HPD_A | 19  | I/O   | Port A, Hot Plug Detects      |

**Table 5-1. Pin Functions (continued)**

| PIN   |          | TYPE | DESCRIPTION                               |
|-------|----------|------|---|
| NAME  | NO.      |      |   |
| CEC_A | 18       | I/O  | Port A, Consumer Electronics Control      |
| D0+B  | 29       | I/O  | Port B, Channel 0, +ve signal             |
| D0-B  | 28       | I/O  | Port B, Channel 0, -ve signal             |
| D1+B  | 27       | I/O  | Port B, Channel 1, +ve signal             |
| D1-B  | 26       | I/O  | Port B, Channel 1, -ve signal             |
| D2+B  | 25       | I/O  | Port B, Channel 2, +ve signal             |
| D2-B  | 24       | I/O  | Port B, Channel 2, -ve signal             |
| D3+B  | 23       | I/O  | Port B, Channel 3, +ve signal             |
| D3-B  | 22       | I/O  | Port B, Channel 3, -ve signal             |
| SCL_B | 40       | I/O  | Port B, DDC Clock                         |
| SDA_B | 39       | I/O  | Port B, DDC Data                          |
| HPD_B | 21       | I/O  | Port B, Hot Plug Detects                  |
| CEC_B | 20       | I/O  | Port B, Consumer Electronics Control      |
| D0+   | 5        | I/O  | Common Port, Channel 0, +ve signal        |
| D0-   | 6        | I/O  | Common Port, Channel 0, -ve signal        |
| D1+   | 7        | I/O  | Common Port, Channel 1, +ve signal        |
| D1-   | 8        | I/O  | Common Port, Channel 1, -ve signal        |
| D2+   | 10       | I/O  | Common Port, Channel 2, +ve signal        |
| D2-   | 11       | I/O  | Common Port, Channel 2, -ve signal        |
| D3+   | 12       | I/O  | Common Port, Channel 3, +ve signal        |
| D3-   | 13       | I/O  | Common Port, Channel 3, -ve signal        |
| SCL   | 3        | I/O  | Common Port, DDC Clock                    |
| SDA   | 4        | I/O  | Common Port, DDC Data                     |
| HPD   | 14       | I/O  | Common Port, Hot Plug Detects             |
| CEC   | 15       | I/O  | Common Port, Consumer Electronics Control |
| NC    | 9, 30    | NC   | No Connect                                |
| GND   | PowerPad | GND  | Ground                                    |

## 6 Specifications

### 6.1 Absolute Maximum Ratings

over operating free-air temperature range (unless otherwise noted)<sup>(1)</sup>

|                                   |  | MIN  | MAX | UNIT |
|-----------------------------------|--|------|-----|------|
| V <sub>CC</sub> <sub>ABSMAX</sub> | Supply voltage range                           | -0.5 | 5.5 | V    |
| V <sub>I/O</sub> -ABSMAX          | Analog voltage range <sup>(2) (3) (4)</sup>    | -0.5 | 5.5 | V    |
| V <sub>IN</sub> -ABSMAX           | Digital input voltage range <sup>(2) (3)</sup> | -0.5 | 5.5 | V    |
| T <sub>Jmax</sub>                 | Maximum junction temperature                   | -40  | 125 | °C   |
| T <sub>stg</sub>                  | Storage temperature range                      | -65  | 150 | °C   |

- (1) Stresses beyond those listed under *Absolute Maximum Ratings* may cause permanent damage to the device. These are stress ratings only, which do not imply functional operation of the device at these or any other conditions beyond those indicated under *Recommended Operating Conditions*. Exposure to absolute-maximum-rated conditions for extended periods may affect device reliability.
- (2) All voltages are with respect to ground, unless otherwise specified.
- (3) The input and output voltage ratings may be exceeded if the input and output clamp-current ratings are observed.
- (4) V<sub>I</sub> and V<sub>O</sub> are used to denote specific conditions for V<sub>I/O</sub>.

### 6.2 ESD Ratings

|                    |                         |   | VALUE | UNIT |
|--------------------|-------------------------|---|-------|------|
| V <sub>(ESD)</sub> | Electrostatic discharge | Human body model (HBM), per ANSI/ESDA/JEDEC JS-001, <sup>(1)</sup>              | ±3000 | V    |
|                    |                         | Charged device model (CDM), per JEDEC specification JESD22-C101, <sup>(2)</sup> | ±1000 |      |

- (1) JEDEC document JEP155 states that 500-V HBM allows safe manufacturing with a standard ESD control process.
- (2) JEDEC document JEP157 states that 250-V CDM allows safe manufacturing with a standard ESD control process.

### 6.3 Recommended Operating Conditions

over operating free-air temperature range (unless otherwise noted)<sup>(1)</sup>

|                     |  | MIN | MAX | UNIT |
|---------------------|--|-----|-----|------|
| V <sub>CC</sub>     | Supply voltage                               | 3.0 | 3.6 | V    |
| V <sub>I/O,CM</sub> | Input/Output common mode voltage (data pins) | 0   | 3.6 | V    |
| V <sub>I/O</sub>    | Input/Output voltage (data pins)             | 0   | 5.5 | V    |
| V <sub>IN</sub>     | Digital input voltage (control pins)         | 0   | 5.5 | V    |
| DR                  | Data rate for differential signals           |     | 6.0 | Gbps |
| T <sub>A</sub>      | Operating ambient temperature                | -40 | 105 | °C   |
| T <sub>J</sub>      | Operating junction temperature               | -40 | 110 | °C   |

- (1) All unused control inputs of the device must be held at V<sub>CC</sub> or GND to ensure proper device operation. Refer to the *TI application report, Implications of Slow or Floating CMOS Inputs*, literature number [SCBA004](#).

### 6.4 Thermal Information

| THERMAL METRIC <sup>(1)</sup> |  | TS3DV642-Q1 |      |
|-------------------------------|--|-------------|------|
|                               |  | RUA         | UNIT |
|                               |  | 42 PINS     |      |
| R <sub>θJA</sub>              | Junction-to-ambient thermal resistance       | 28.7        | °C/W |
| R <sub>θJC(top)</sub>         | Junction-to-case (top) thermal resistance    | 16.7        | °C/W |
| R <sub>θJB</sub>              | Junction-to-board thermal resistance         | 9.7         | °C/W |
| ψ <sub>JT</sub>               | Junction-to-top characterization parameter   | 0.3         | °C/W |
| ψ <sub>JB</sub>               | Junction-to-board characterization parameter | 9.7         | °C/W |
| R <sub>θJC(bot)</sub>         | Junction-to-case (bottom) thermal resistance | 2.9         | °C/W |

- (1) For more information about traditional and new thermal metrics, see the [Semiconductor and IC Package Thermal Metrics](#) application report.

## 6.5 Electrical Characteristics

over operating free-air temperature range (unless otherwise noted)

| PARAMETER                              |   | TEST CONDITIONS <sup>(1)</sup> |  | MIN | TYP <sup>(2)</sup> | MAX | UNIT |
|--|---|--------------------------------|--|-----|--------------------|-----|------|
| <b>DC Characteristics</b>              |   |                                |  |     |                    |     |      |
| R <sub>ON</sub>                        | ON-state resistance                         | All data pins                  | V <sub>I/O</sub> = 0 V, I <sub>I/O</sub> = -10 mA  |     | 6.5                | 12  | Ω    |
| R <sub>ON,FLAT</sub> <sup>(3)</sup>    | ON-state resistance flatness                | All data pins                  | R <sub>ON</sub> at V <sub>I/O</sub> = 1.5 V minus R <sub>ON</sub> at V <sub>I/O</sub> = 0 V, I <sub>I/O</sub> = -10 mA |     |                    | 0.6 | Ω    |
|  |   |                                | R <sub>ON</sub> at V <sub>I/O</sub> = 3.6 V minus R <sub>ON</sub> at V <sub>I/O</sub> = 0 V, I <sub>I/O</sub> = -10 mA |     |                    | 2.0 | Ω    |
| I <sub>OFF</sub>                       | Leakage under power off (failsafe current)  | All data and control pins      | VCC = 0 V, V <sub>I/O</sub> or V <sub>IN</sub> = 0 V to 5.5 V  |     |                    | ±20 | μA   |
| <b>Control Inputs (SEL1, SEL2, EN)</b> |   |                                |  |     |                    |     |      |
| V <sub>IH</sub>                        | High-level input voltage for control pins   | SEL1, SEL2, EN                 |  | 1.4 |                    |     | V    |
| V <sub>IL</sub>                        | Low-level input voltage for control pins    | SEL1, SEL2, EN                 |  |     |                    | 0.5 | V    |
| I <sub>IH</sub>                        | Input high leakage current for control pins | SEL1, SEL2, EN                 | VCC = 3.6 V, V <sub>IN</sub> = 5.5 V   |     |                    | ±10 | μA   |
| I <sub>IL</sub>                        | Input low leakage current for control pins  | SEL1, SEL2, EN                 | VCC = 3.6 V, V <sub>IN</sub> = GND   |     |                    | ±10 | μA   |
| <b>Power Supply</b>                    |   |                                |  |     |                    |     |      |
| I <sub>CC</sub>                        | VCC supply current in active mode           |                                | EN = H   |     | 45                 |     | μA   |
| I <sub>CC_PD</sub>                     | VCC supply current in power-down mode       |                                | EN = L   |     | 6                  |     | μA   |

(1) V<sub>I</sub>, V<sub>O</sub>, I<sub>I</sub>, and I<sub>O</sub> refer to data I/O pins, V<sub>IN</sub> refers to the control inputs.

(2) All typical values are at V<sub>DD</sub> = 3.3 V (unless otherwise noted), T<sub>A</sub> = 25°C.

(3) R<sub>ON,FLAT</sub> is the difference of R<sub>ON</sub> in a given channel at specified voltages.

## 6.6 High-Speed Performances

Over recommended operation free-air temperature range, V<sub>DD</sub> = 3.3V ± 0.3V (unless otherwise noted). For all data pins. R<sub>L</sub> = 50 Ω where applicable.

| PARAMETER |                             | TEST CONDITIONS |  | MIN | TYP <sup>(1)</sup> | MAX | UNIT |
|-----------|-----------------------------|-----------------|--|-----|--------------------|-----|------|
| BW        | Differential Bandwidth      | -3 dB from DC   |  |     | 5.8                |     | GHz  |
| IL        | Differential insertion loss | DC              |  |     | -0.5               |     | dB   |
|           |                             | 1.7 GHz         |  |     | -1.0               |     | dB   |
|           |                             | 2.7 GHz         |  |     | -1.4               |     | dB   |
|           |                             | 3.0 GHz         |  |     | -1.6               |     | dB   |
| RL        | Differential return loss    | DC              |  |     | -24                |     | dB   |
|           |                             | 1.7 Ghz         |  |     | -21                |     | dB   |
|           |                             | 2.7Ghz          |  |     | -19                |     | dB   |
|           |                             | 3.0 Ghz         |  |     | -17                |     | dB   |
| Xtalk     | Differential crosstalk      | DC              |  |     | -72                |     | dB   |
|           |                             | 1.7 GHz         |  |     | -35                |     | dB   |
|           |                             | 2.7 GHz         |  |     | -30                |     | dB   |
|           |                             | 3.0 GHz         |  |     | -27                | -   | dB   |
| OISO      | Differential off isolation  | DC              |  |     | -82                |     | dB   |
|           |                             | 1.7 GHz         |  |     | -20                |     | dB   |
|           |                             | 2.7 GHz         |  |     | -16                |     | dB   |
|           |                             | 3.0 GHz         |  |     | -16                |     | dB   |

(1) All Typical Values are at V<sub>DD</sub> = 3.3 V (unless otherwise noted), T<sub>A</sub> = 25°C.

## 6.7 Switching Characteristics

over recommended operation free-air temperature range,  $V_{DD} = 3.3\text{ V} \pm 0.3\text{ V}$  (unless otherwise noted). For all data pins.

| PARAMETER                   |                                 |         | TEST CONDITIONS  | MIN | TYP <sup>(1)</sup> | MAX | UNIT          |
|-----------------------------|---------------------------------|---------|--|-----|--------------------|-----|---------------|
| $t_{pd}$                    | Propagation Delay               | All I/O |  |     | 66                 |     | ps            |
| $t_{SK,INTER}$              | Inter-pair Skew                 | D0-3    | The maximum difference in differential prop delay between data channels; 1.7 GHz; at nominal corner                                |     | 10                 |     | ps            |
| $t_{SK,INTRA}$              | Intra-pair Skew                 | D0-3    | The maximum difference in prop delay between +ve and -ve signals of each channel (for all channels); at 1.7 GHz; at nominal corner |     | 8                  |     | ps            |
| $t_{ON}$ <sup>(2)</sup>     | Switch turn-on time             | All I/O | When EN goes from L to H   |     |                    | 5   | $\mu\text{s}$ |
| $t_{SWITCH}$ <sup>(3)</sup> | Switching time between channels | All I/O | When SEL pins toggles  |     |                    | 5   | $\mu\text{s}$ |

(1) All typical values are at  $V_{DD} = 3.3\text{ V}$  (unless otherwise noted),  $T_A = 25^\circ\text{C}$ .

(2)  $t_{ON}$  is the time it takes the output to recover within 95% of final value after enabling switches

(3)  $t_{SWITCH}$  is the time it takes for the output to recover within 95% of final value after the state is changed

## 6.8 Typical Characteristics

Figure 6-1, Figure 6-2, Figure 6-3 and Figure 6-4 show typical high speed performance plots for TS3DV642-Q1 in TI evaluation board with measurement parasitics calibrated out.

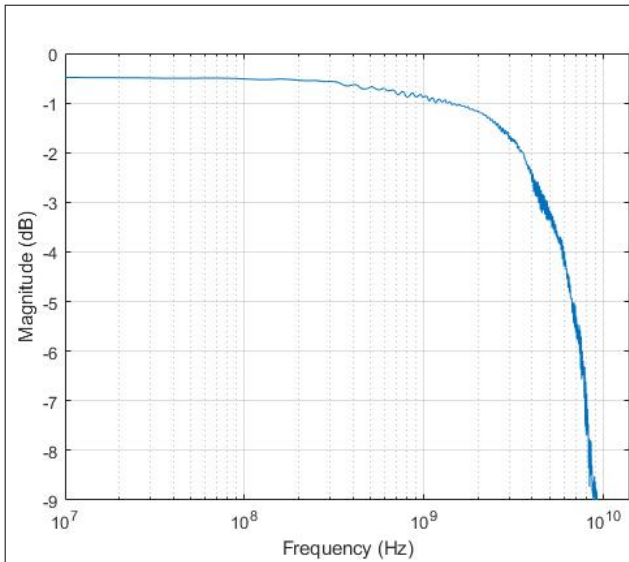


Figure 6-1. Typical differential gain vs frequency

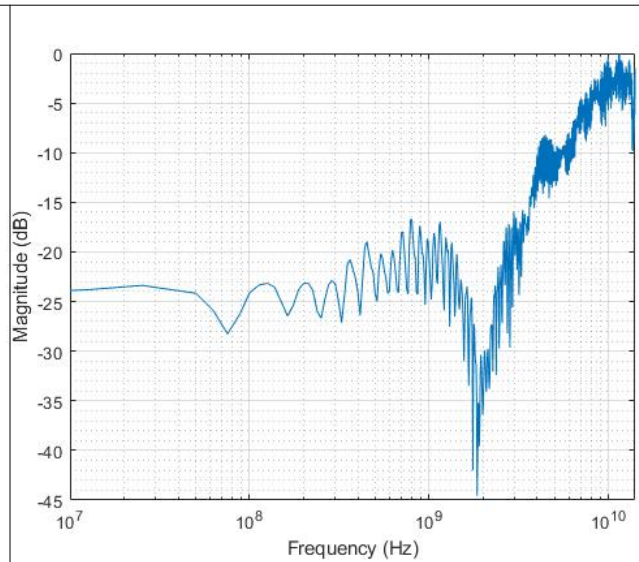


Figure 6-2. Typical return loss vs frequency

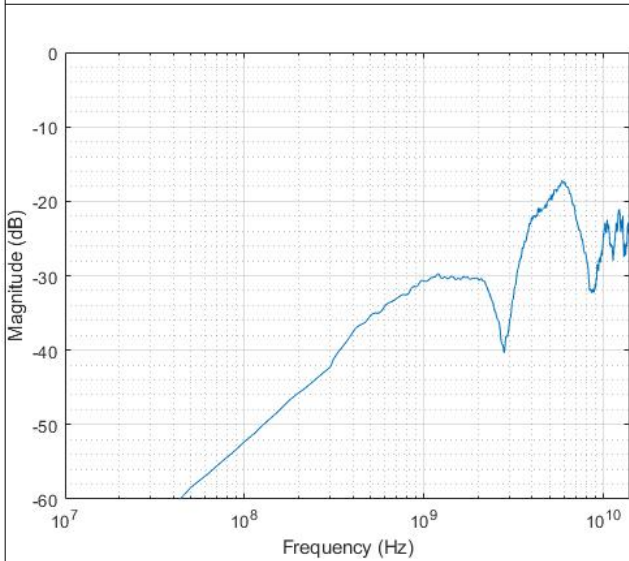


Figure 6-3. Typical differential cross-talk vs frequency

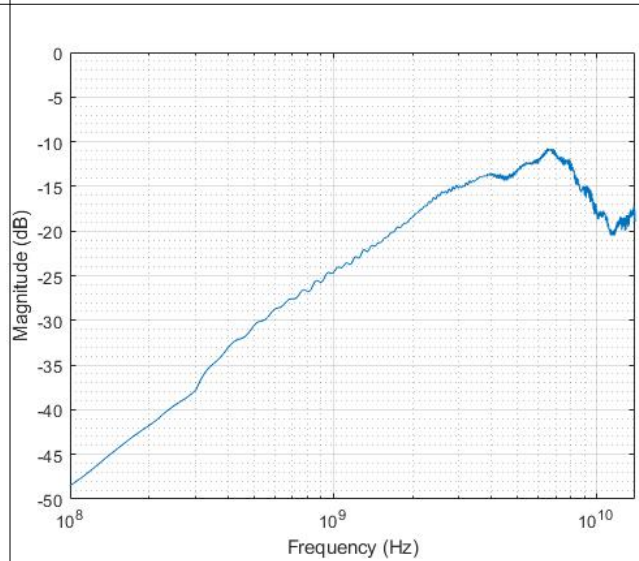


Figure 6-4. Typical differential off-isolation vs frequency

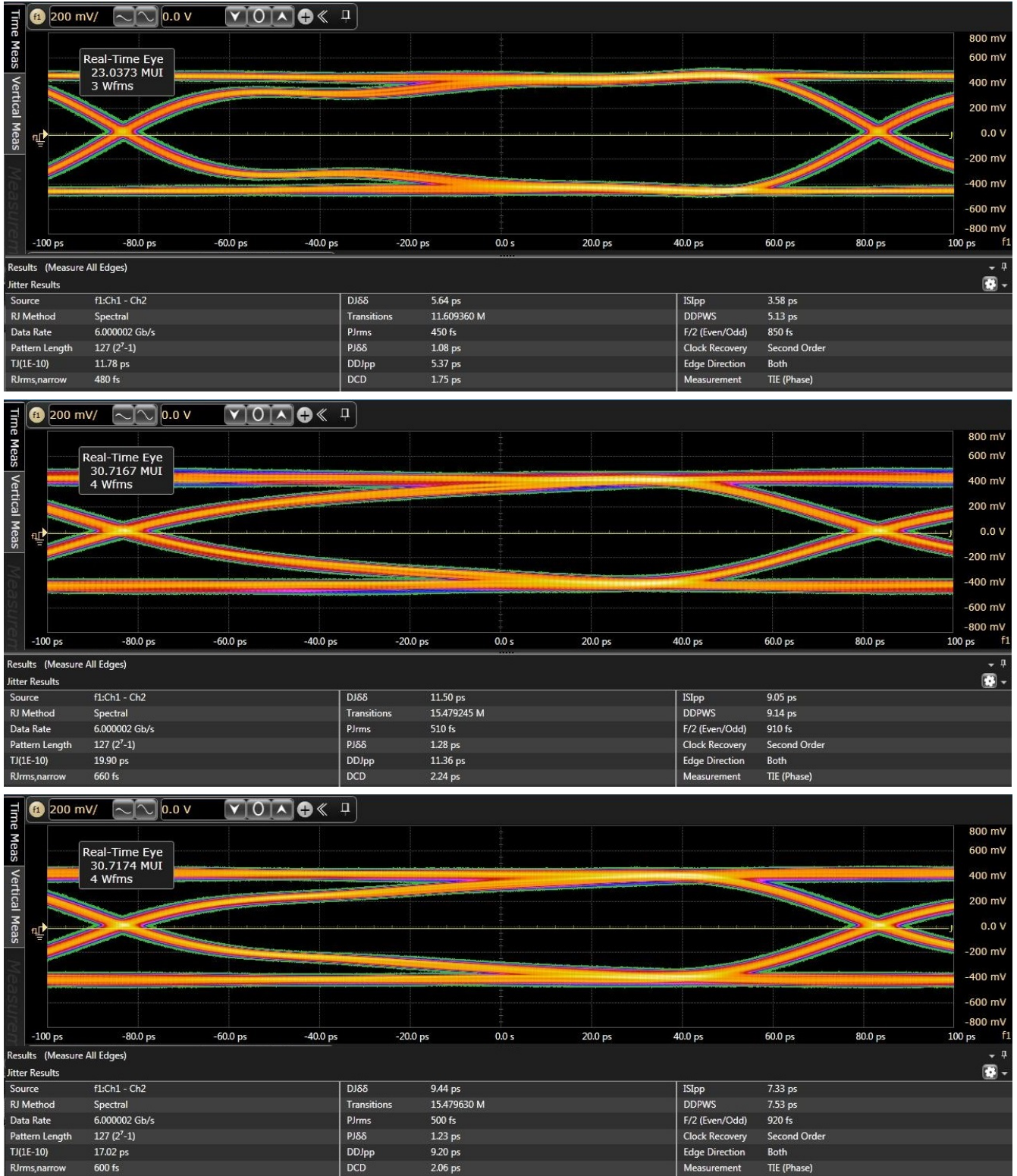
Figure 6-5 illustrates eye diagrams at 3.4 Gbps with jitter decomposition shown. As illustrated added total jitter contribution by the TS3DV642-Q1 is minimal - 17 ps and 16 ps through the TS3DV642-Q1 Port A and Port B respectively versus 13 ps through baseline calibration setup without a DUT.





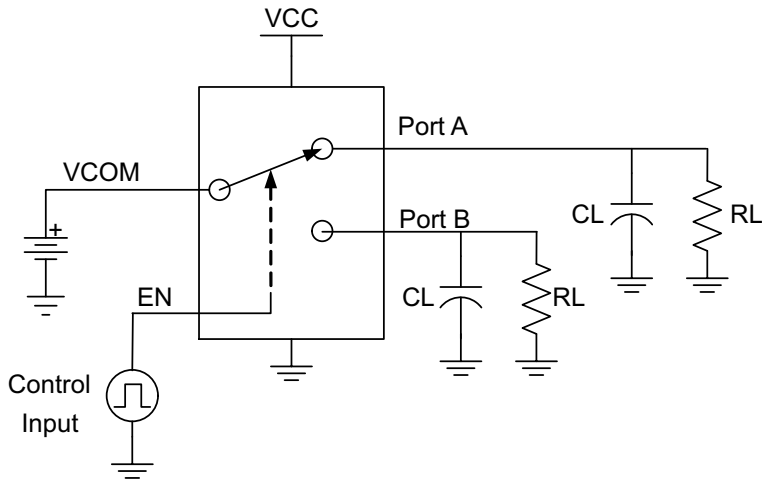
Figure 6-5. Typical eye diagrams at 3.4 Gbps. Top: baseline calibration setup. Middle: through TS3DV642-Q1 Port A. Bottom: through TS3DV642-Q1 Port B.

Figure 6-6 illustrates eye diagrams at 6.0 Gbps with jitter decomposition shown. As illustrated added total jitter contribution by the TS3DV642-Q1 is minimal - 20 ps and 17 ps through the TS3DV642-Q1 Port A and Port B respectively versus 12 ps through baseline calibration setup without a DUT.



**Figure 6-6. Typical eye diagrams at 6.0 Gbps. Top: baseline calibration setup. Middle: through TS3DV642-Q1 Port A. Bottom: through TS3DV642-Q1 Port B.**

## 7 Parameter Measurement Information



| RL   | CL   | VCOM |
|------|------|------|
| 50 Ω | 4 pF | VCC  |

\*CL includes probe, cable, and board capacitance

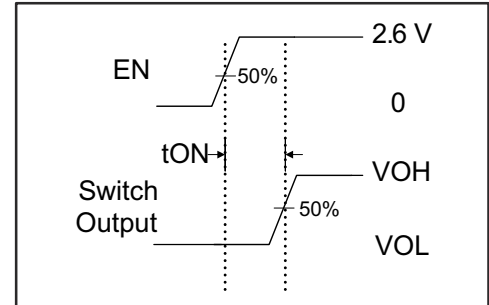
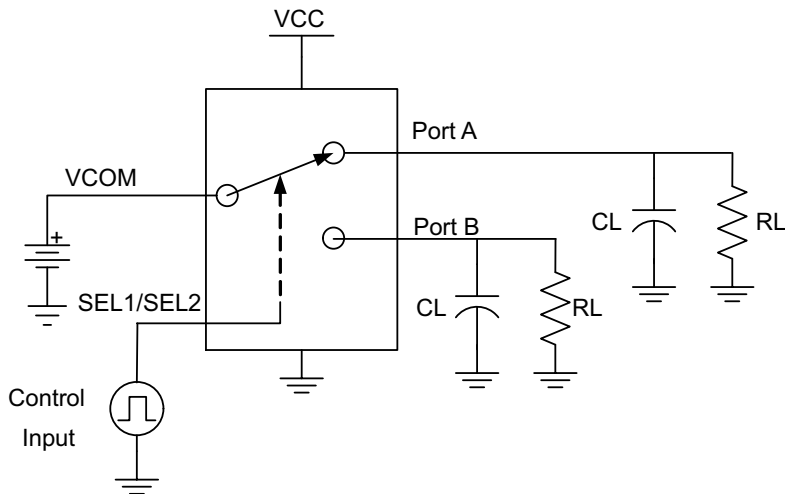


Figure 7-1. Switch Turn-On Time ( $t_{ON}$ )



| RL   | CL   | VCOM |
|------|------|------|
| 50 Ω | 4 pF | VCC  |

\*CL includes probe, cable, and board capacitance

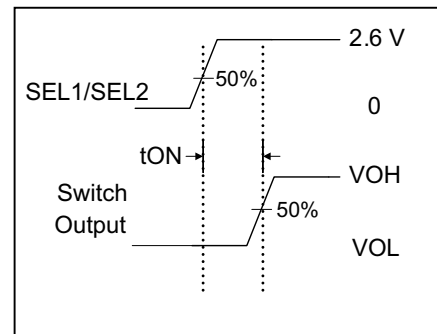
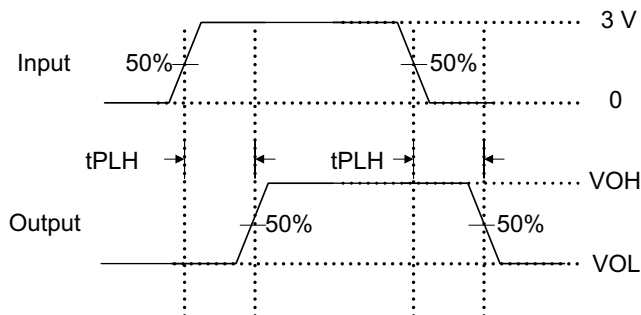
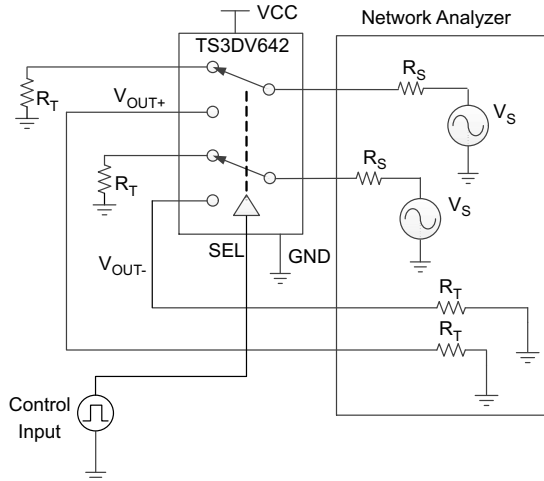


Figure 7-2. Switching Time Between Channels ( $t_{SWITCH}$ )



$$t_{pd} = (t_{PLH} + t_{PLH}) / 2$$

Figure 7-3. Propagation Delay ( $t_{pd}$ )

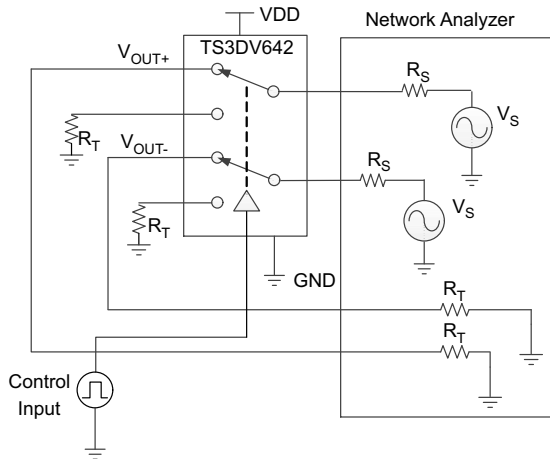


Channel OFF

SEL = H or L  
 $R_S = R_T = 50\Omega$

$V_S = -10\text{dBm}$  (200mV at 50Ω Load)  
 $V_{DC\_BIAS} = 1\text{ V}$

**Figure 7-4. Differential Off-Isolation and Xtalk**



Channel ON

SEL = H or L  
 $R_S = R_T = 50\Omega$

$V_S = -10\text{dBm}$  (200mV at 50Ω Load)  
 $V_{DC\_BIAS} = 1\text{ V}$

**Figure 7-5. Differential Bandwidth (BW)**

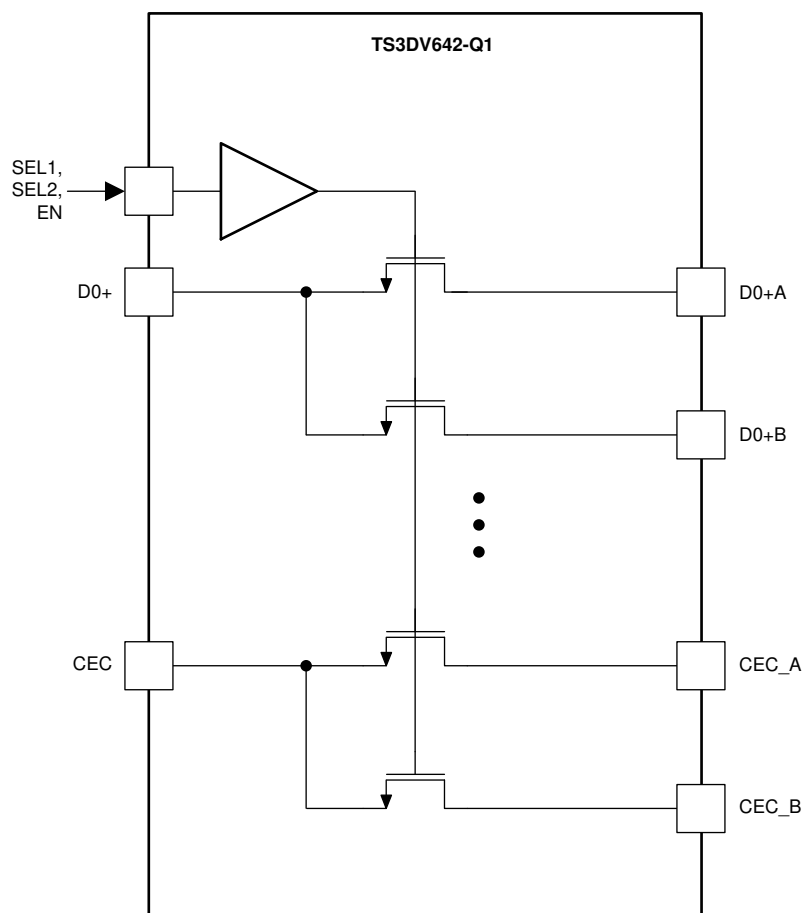
## 8 Detailed Description

### 8.1 Overview

The TS3DV642-Q1 is a 6 differential channel or 12 single ended channel bidirectional multiplexer/demultiplexer. It offers low on-state resistance as well as low datapath parasitics which allows it to achieve a high bandwidth. The TS3DV642-Q1 is a passive mux that is recommended for data rates up to 6 Gbps, however the device can be used for interfaces with higher data rates depending on how much loss is permissible for the mux from the overall electrical link budget. The device provides the high bandwidth necessary for many interfaces to handle differential and as well as single ended signals. The device supports differential signaling with common mode voltage range (CMV) of 0 to 3.6 V and 0 - 5.5 V CMOS signals.

The TS3DV642-Q1 has total 6 differential channels. All these channels are functionally equivalent and provides almost identical electrical performance. The channels can be used in an arbitrary fashion for differential and single ended signals in any order.

### 8.2 Functional Block Diagram



### 8.3 Feature Description

The TS3DV642-Q1 is based on proprietary TI technology which uses FET switches driven by a high-voltage generated from an integrated charge-pump to achieve a low on-state resistance. TS3DV642-Q1 has 6 differential channel or 12 single ended channel bidirectional switches with a high bandwidth. TS3DV642-Q1 uses an extremely low power technology and uses only 45  $\mu\text{A}$   $I_{CC}$  in active mode. The device has integrated ESD that can support up to 3-kV Human-Body Model (HBM) and 1-kV Charge Device Model (CDM). TS3DV642-Q1 is offered in a 42-pin QFN package (9 mm x 3.5 mm) with 0.5 mm pitch. The device can support analog I/O signal in 0 to 5.5 V range. TS3DV642-Q1 also has a special feature that prevents the device from back-powering when the  $V_{CC}$  supply is not available and an analog signal is applied on the I/O pin. In this situation this special feature

prevents leakage current in the device. The TS3DV642-Q1 is not designed for passing signals with negative swings.

### 8.4 Device Functional Modes

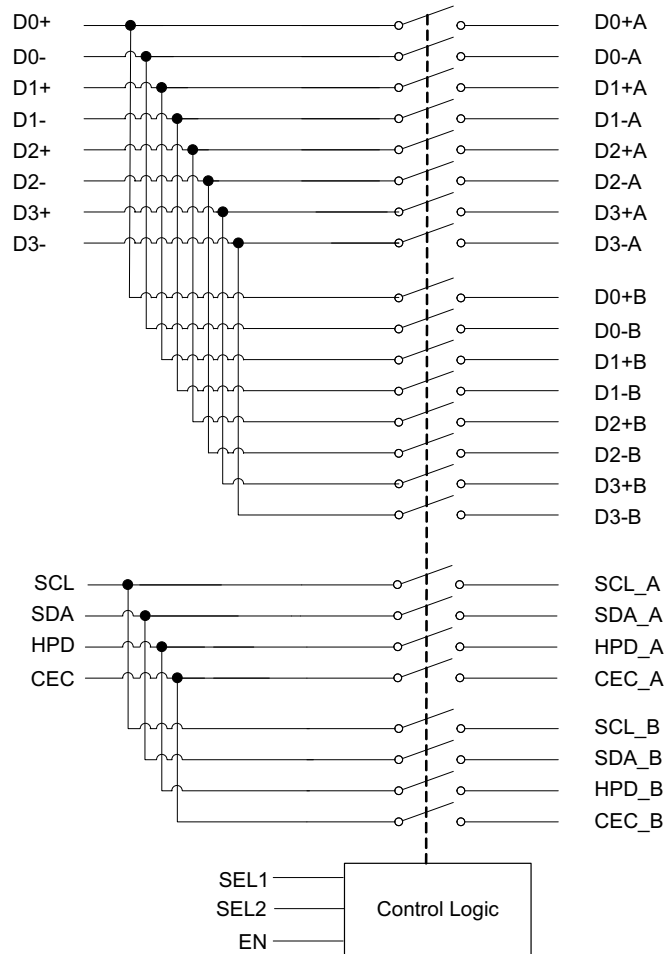


Figure 8-1. Logic Diagram

Table 8-1 lists the device functions for the TS3DV642-Q1 device.

Table 8-1. Functional Table

| EN | SEL1 | SEL2 | FUNCTION   |
|----|------|------|--|
| L  | X    | X    | Switch disabled. All channels are Hi-Z.  |
| H  | L    | L    | Channel D0+/D0- to D0+A/D0-A is ON. All the other channels (D1+/D1-, D2+/D2-, D3+/D3-, SCL, SDA, HPD, CEC) are Hi-Z. |
| H  | L    | H    | Channel D0+/D0- to D0+B/D0-B is ON. All the other channels (D1+/D1-, D2+/D2-, D3+/D3-, SCL, SDA, HPD, CEC) are Hi-Z. |
| H  | H    | L    | All A channels are enabled. All B channels are Hi-Z.   |
| H  | H    | H    | All B channels are enabled. All A channels are Hi-Z.   |

## 9 Application and Implementation

---

### Note

Information in the following applications sections is not part of the TI component specification, and TI does not warrant its accuracy or completeness. TI's customers are responsible for determining suitability of components for their purposes. Customers should validate and test their design implementation to confirm system functionality.

---

### 9.1 Application Information

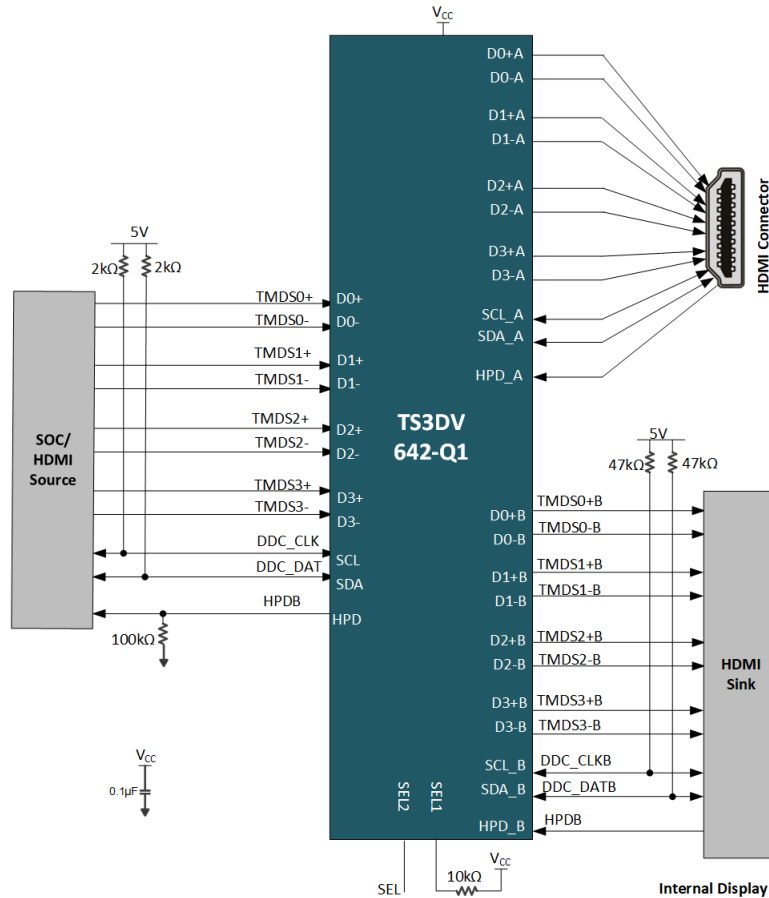
The TS3DV642-Q1 is an analog differential passive mux or demux that works for many high-speed differential interfaces with data rates up to 6 Gbps. The device also works for single ended signals. The TS3DV642-Q1 supports differential signaling with common mode voltage range (CMV) of 0 to 3.6 V and with differential amplitude up to 1800 mVpp, and single ended CMOS signaling with swing limited to 0 to 5.5 V. TS3DV642-Q1 can be used as mux or demux switch for:

- HDMI 1.4 and HDMI 2.0 - up to 6 Gbps per channel
- DisplayPort (DP) for RBR, HBR, and HBR-2 data rates - up to 5.4 Gbps per lane
- DP++
- Mipi DPHY interfaces such as DSI and CSI-2 - up to 4.5 Gbps per lane
- Mipi CPHY based CSI-2
- LVDS

6 Channels of the TS3DV642-Q1 are functionally equivalent and can be used in an arbitrary fashion for differential and single ended signals in any order. For example in Mipi DPHY applications any of the 6 differential channels can be used for clock signals. For Mipi CPHY applications the data pins can be grouped any order to form trio signals. For HDMI application, while TS3DV642-Q1 data signal pins are marked for specific HDMI use, the main-link data, main-link clock, DDC, HPD, CEC can be assigned in any order if required.

### 9.2 Typical Application - Demultiplexing HDMI Signals

The TS3DV642-Q1 can be used to mux HDMI signals. [Figure 9-1](#) shows use case where TS3DV642-Q1 switches HDMI signals from a source to either to an external connector or to an SOC. This section provides detailed design implementation for a HDMI application where TS3DV642-Q1 provides 1:2 multiplexing function.



**Figure 9-1. Demultiplexing HDMI signals - schematic**

**9.2.1 Design Requirements**

**Table 9-1. Design Parameters for HDMI Application**

| Design parameter  | Example value  |
|---|----------------|
| V <sub>CC</sub>   | 3.0 V to 3.6 V |
| VCC decoupling capacitor  | 0.1 μF         |
| DDC Pull-up resistors on sink side (only for internal display path) | 47 kΩ to 5 V   |
| DDC Pull-up resistors on source side                                | 2 kΩ to 5 V    |
| HPD pull-down resistor on source side                               | 100 kΩ to GND  |
| Pull-up / Pull-down resistors for SEL1 / SEL2 pins                  | 10 kΩ          |

**9.2.2 Detailed Design Procedure**

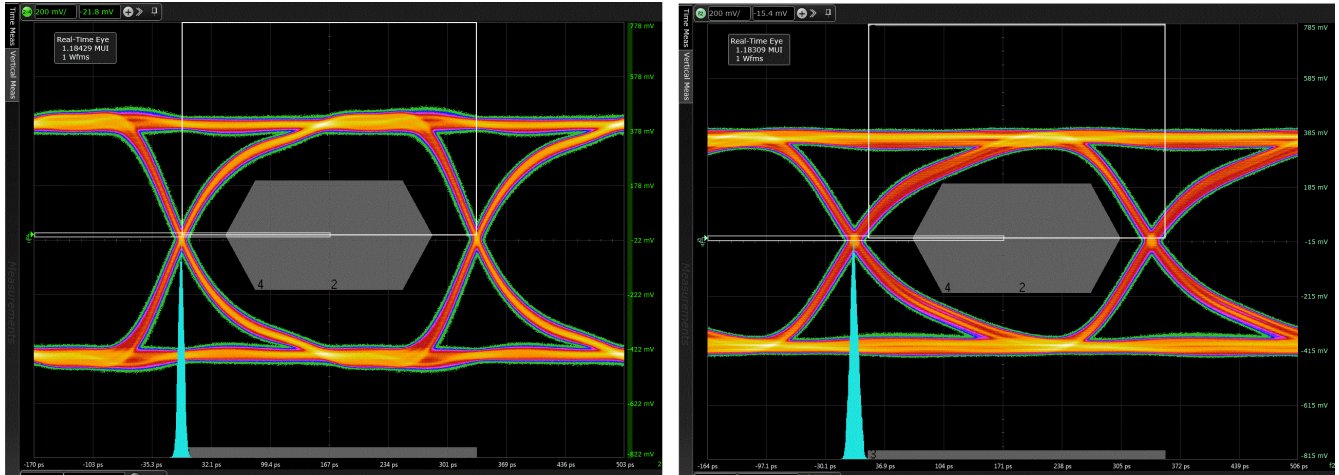
The TS3DV642-Q1 is designed to operate with 3.0 V to 3.6 V power supply. Decoupling capacitors may be used to reduce noise and improve power supply integrity. Pull-up resistors to 5 V must be placed on the sink side DDC clock and data lines according to the HDMI standard.

**9.2.3 Application Curves**

An HDMI connector functioning as a source is subject to HDMI source compliance test. This section provides application curves related to HDMI 1.4 and 2.0 source compliance for jitter and eye mask respectively.

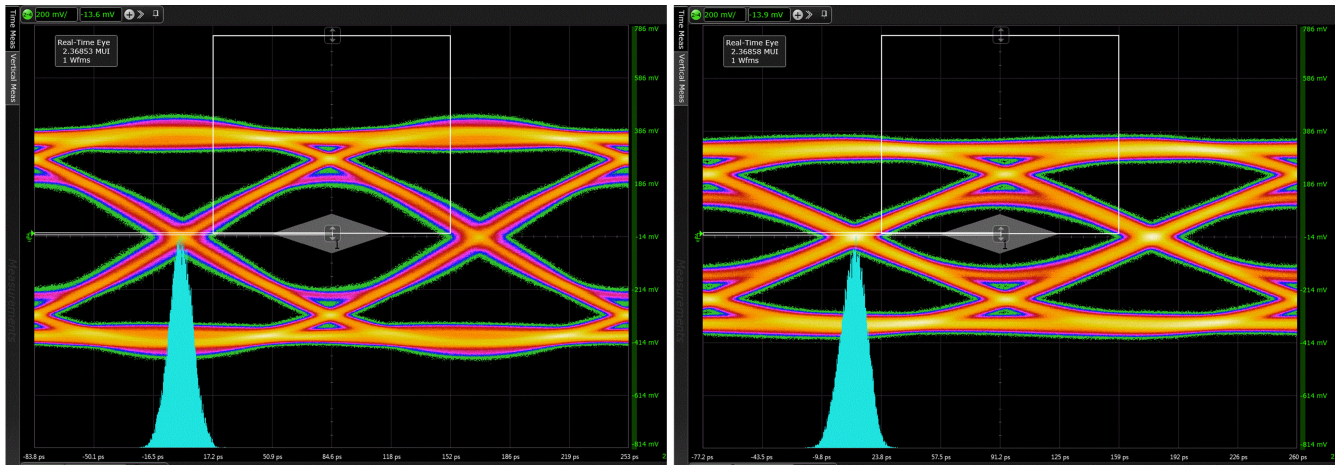
Figure 9-2 shows HDMI 1.4 compliance jitter performance at 3.0 Gbps data rate. For brevity only one of the three data channels and Port A illustrated. Other channels have similar performances. As illustration shows the TS3DV642-Q1 adds minimal jitter to the link - 89 mTbit through mux vs 73 mTbit without mux.





**Figure 9-2. HDMI 1.4 compliance at 3.0 Gbps - jitter performance. Left: with no DUT in the path. Right: TS3DV642-Q1 in the path**

Figure 9-3 shows HDMI 2.0 eye mask performance at 6.0 Gbps data rate. For brevity only one of the three data channels and Port A is illustrated. Eye masks are for worst case positive skew. Other channels, and cases have similar performances.



**Figure 9-3. HDMI 2.0 compliance at 6.0 Gbps - eye mask at TP2\_EQ. Left - with no DUT in the path. Right - TS3DV642-Q1 in the path**

### 9.3 Typical Application - Multiplexing HDMI Signals

Figure 9-4 shows a 2:1 multiplexing use case where TS3DV642-Q1 is being used to choose HDMI signals from either an external HDMI connector or an internal HDMI source to connect to a HDMI sink device. Note HDMI connector in this use case represents a Sink port and is subject to HDMI sink compliance requirements. Part of the compliance requirements the mainlink data and clock signals needs to have 50Ω termination from each pin to 3.3 V supply with certain tolerance depending on data rate. Note the TS3DV642-Q1 adds a series resistance ( $R_{ON}$ ) to the mainlink sink termination. To account for the additional series resistance it is recommended that sink internal termination resistance is reduce by equal amount. Where such provisioning is not possible, alternate solution is to install external resistors on board from each pin to VCC as shown in Figure 9-4. In applications where a retimer is used behind a HDMI connector in sink application, this series resistance provisioning is not required as retimer termination is tested for HDMI compliance.

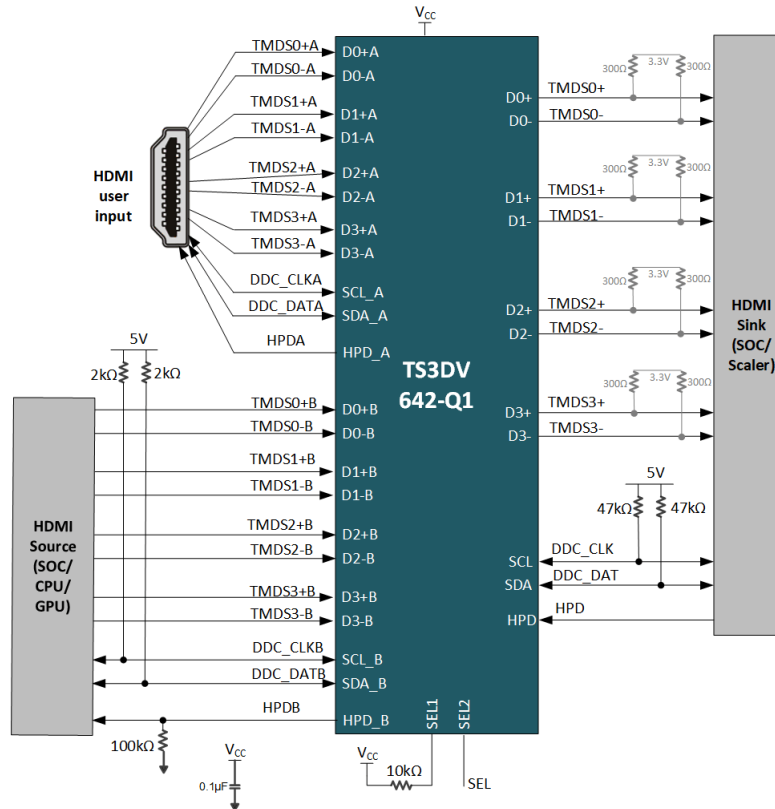
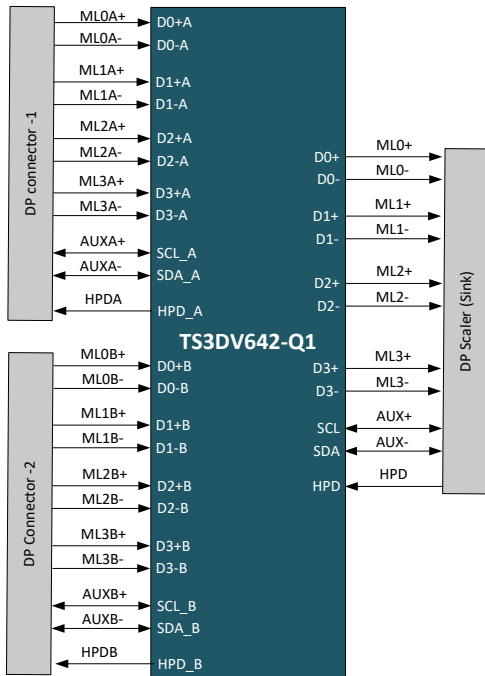


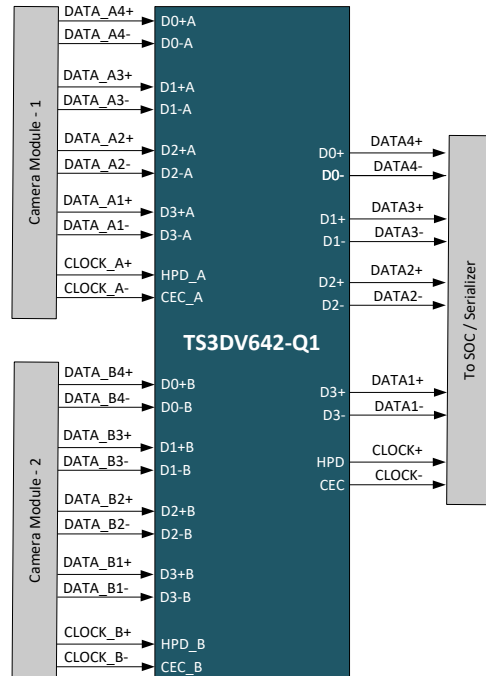
Figure 9-4. Multiplexing HDMI signals - schematic

## 9.4 Systems Examples

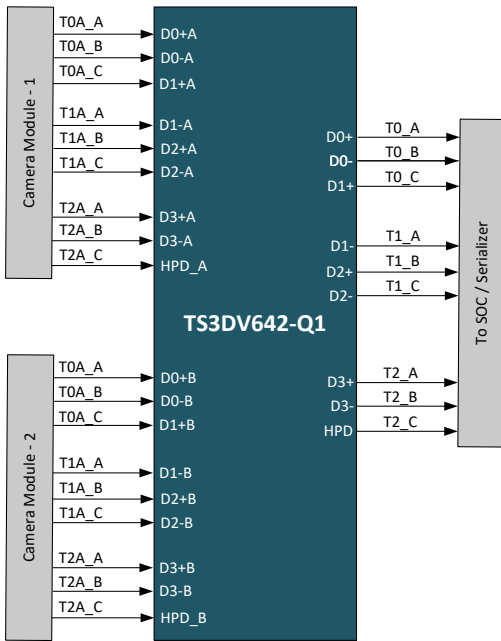
TS3DV642-Q1 can be used for many high speed interfaces. [Figure 9-5](#), [Figure 9-6](#), [Figure 9-7](#), and [Figure 9-8](#) show some system level examples for select few interfaces. Note for brevity exact detail design implementation is not shown.



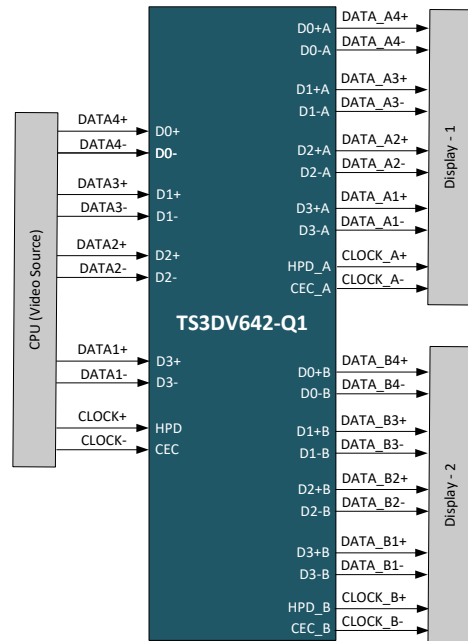
**Figure 9-5. DisplayPort 2:1 switching**



**Figure 9-6. Mipi DPHY based CSI-2 switching**



**Figure 9-7. Mipi CPHY based CSI-2 switching**



**Figure 9-8. Mipi DPHY based DSI switching**

## 10 Power Supply Recommendations

$V_{CC}$  should be in the range of 3.0 V to 3.6 V. Voltage levels above those listed in the Absolute Ratings table should not be used. Decoupling capacitor(s) such as 0.1  $\mu$ F may be used to reduce noise and improve power supply integrity. There are no power sequence requirements for the TS3DV642-Q1.

## 11 Layout

### 11.1 Layout Guidelines

To ensure reliability of the device, the following commonly used printed-circuit board layout guidelines are recommended:

- Decoupling capacitors should be used between power supply pin and ground pin to ensure low impedance to reduce noise. To achieve a low impedance over a wide frequency range use capacitors with a high self-resonance frequency.
- ESD and EMI protection devices (if used) should be placed as close as possible to the connector.
- Short trace lengths should be used to avoid excessive loading.
- To minimize the effects of crosstalk on adjacent traces, keep the traces at least two times the trace width apart.
- Separate high-speed signals from low-speed signals and digital from analog signals.
- Avoid right-angle bends in a trace and try to route them at least with two 45° corners.
- The high-speed differential signal traces should be routed parallel to each other as much as possible. The traces are recommended to be symmetrical.
- A solid ground plane should be placed next to the high-speed signal layer. This also provides an excellent low-inductance path for the return current flow.

## 11.2 Layout Example

TS3DV642-Q1 application with a single controller interfacing with two HDMI connectors.

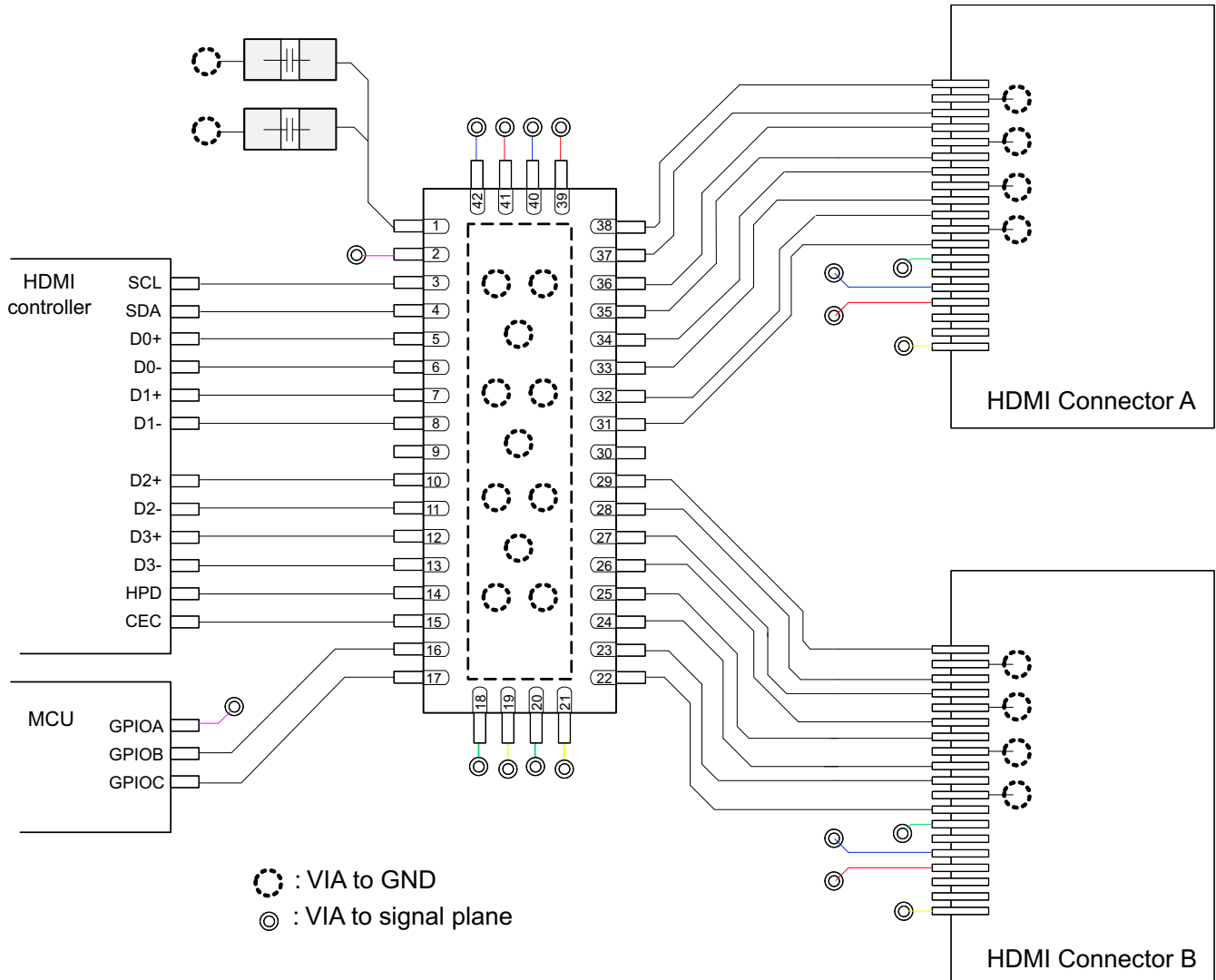


Figure 11-1. Layout Example

## 12 Device and Documentation Support

### 12.1 Receiving Notification of Documentation Updates

To receive notification of documentation updates, navigate to the device product folder on [ti.com](http://ti.com). Click on *Subscribe to updates* to register and receive a weekly digest of any product information that has changed. For change details, review the revision history included in any revised document.

### 12.2 Support Resources

TI E2E™ [support forums](#) are an engineer's go-to source for fast, verified answers and design help — straight from the experts. Search existing answers or ask your own question to get the quick design help you need.

Linked content is provided "AS IS" by the respective contributors. They do not constitute TI specifications and do not necessarily reflect TI's views; see TI's [Terms of Use](#).

### 12.3 Trademarks

TI E2E™ is a trademark of Texas Instruments.  
All trademarks are the property of their respective owners.

### 12.4 Electrostatic Discharge Caution



This integrated circuit can be damaged by ESD. Texas Instruments recommends that all integrated circuits be handled with appropriate precautions. Failure to observe proper handling and installation procedures can cause damage.

ESD damage can range from subtle performance degradation to complete device failure. Precision integrated circuits may be more susceptible to damage because very small parametric changes could cause the device not to meet its published specifications.

### 12.5 Glossary

[TI Glossary](#) This glossary lists and explains terms, acronyms, and definitions.

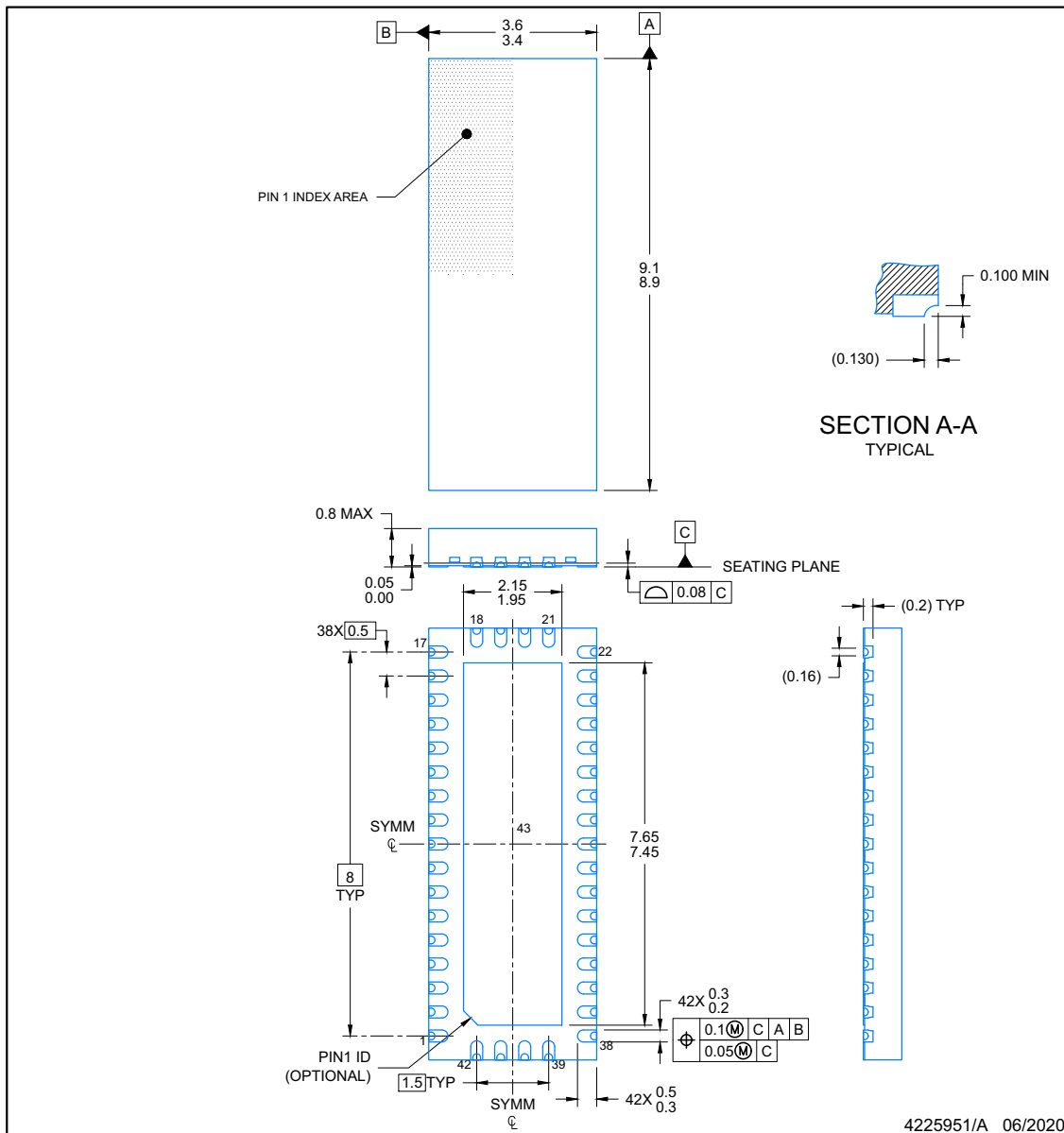
## 13 Mechanical, Packaging, and Orderable Information

The following pages include mechanical, packaging, and orderable information. This information is the most current data available for the designated devices. This data is subject to change without notice and revision of this document. For browser-based versions of this data sheet, refer to the left-hand navigation.

**RUA0042B**

**PACKAGE OUTLINE**  
**WQFN - 0.8 mm max height**

PLASTIC QUAD FLATPACK- NO LEAD



NOTES:

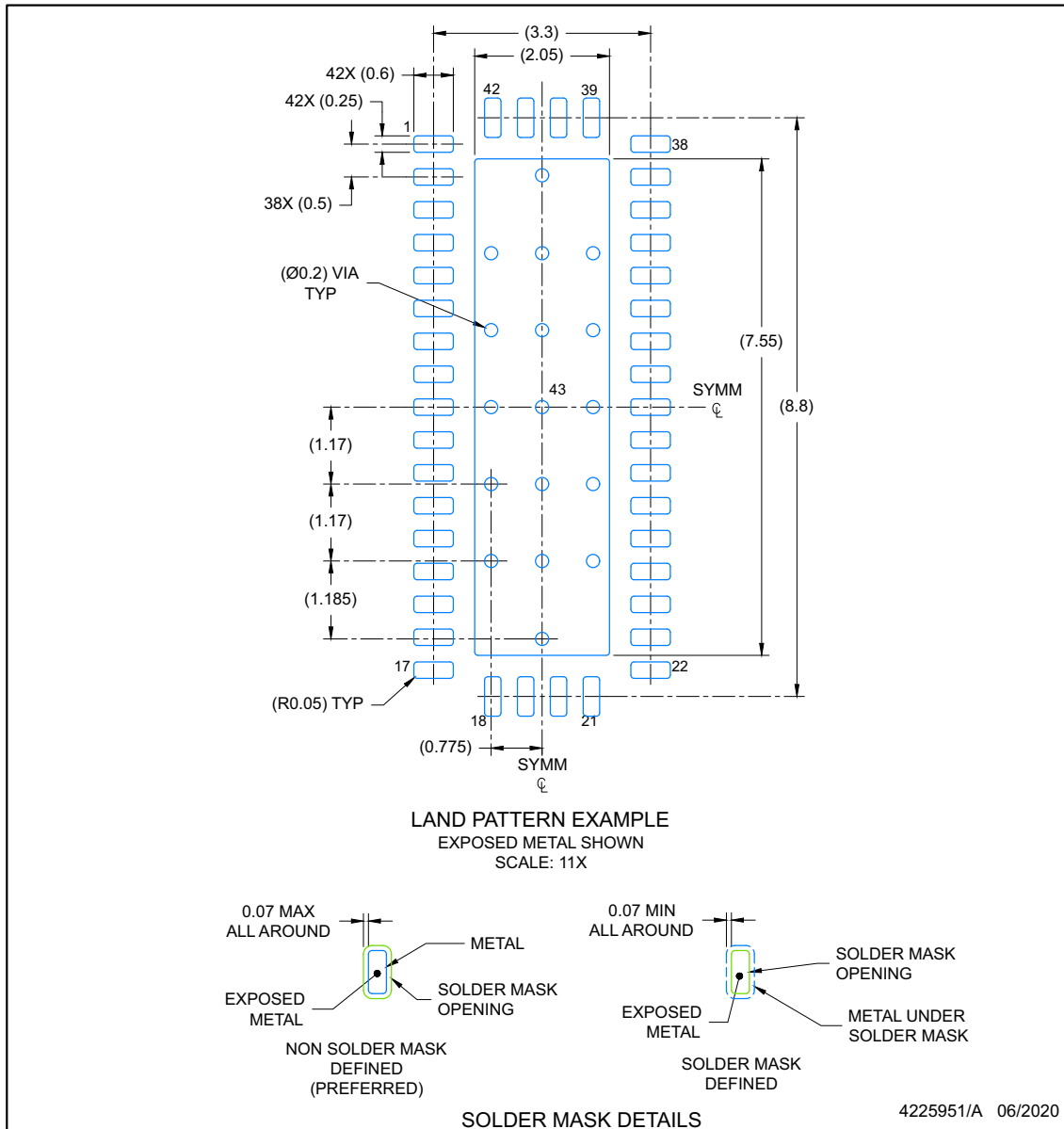
1. All linear dimensions are in millimeters. Any dimensions in parenthesis are for reference only. Dimensioning and tolerancing per ASME Y14.5M.
2. This drawing is subject to change without notice.
3. The package thermal pad must be soldered to the printed circuit board for optimal thermal and mechanical performance.



**EXAMPLE BOARD LAYOUT**  
**WQFN - 0.8 mm max height**

**RUA0042B**

PLASTIC QUAD FLATPACK- NO LEAD



NOTES: (continued)

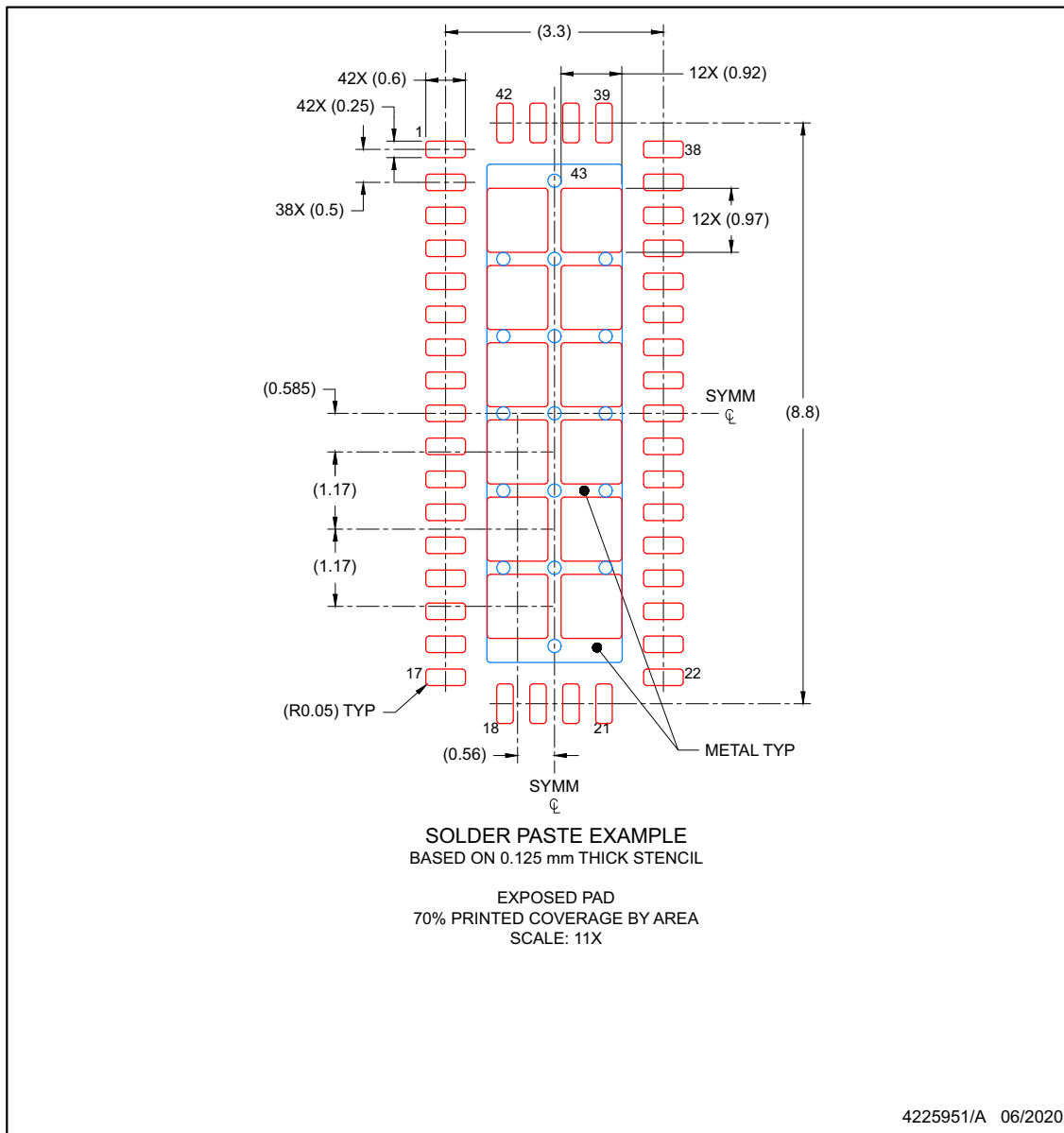
4. This package is designed to be soldered to a thermal pad on the board. For more information, see Texas Instruments literature number SLUA271 ([www.ti.com/lit/slua271](http://www.ti.com/lit/slua271)).
5. Vias are optional depending on application, refer to device data sheet. If any vias are implemented, refer to their locations shown on this view. It is recommended that vias under paste be filled, plugged or tented.

**EXAMPLE STENCIL DESIGN**

**RUA0042B**

**WQFN - 0.8 mm max height**

PLASTIC QUAD FLATPACK- NO LEAD



NOTES: (continued)

6. Laser cutting apertures with trapezoidal walls and rounded corners may offer better paste release. IPC-7525 may have alternate design recommendations.

**PACKAGING INFORMATION**

| Orderable Device | Status<br>(1) | Package Type | Package Drawing | Pins | Package Qty | Eco Plan<br>(2) | Lead finish/<br>Ball material<br>(6) | MSL Peak Temp<br>(3) | Op Temp (°C) | Device Marking<br>(4/5) | Samples                 |
|------------------|---------------|--------------|-----------------|------|-------------|-----------------|--------------------------------------|----------------------|--------------|-------------------------|-------------------------|
| TS3DV642RUARQ1   | ACTIVE        | WQFN         | RUA             | 42   | 3000        | RoHS & Green    | NIPDAU                               | Level-2-260C-1 YEAR  | -40 to 105   | T3DV642Q                | <a href="#">Samples</a> |
| TS3DV642RUATQ1   | ACTIVE        | WQFN         | RUA             | 42   | 250         | RoHS & Green    | NIPDAU                               | Level-2-260C-1 YEAR  | -40 to 105   | T3DV642Q                | <a href="#">Samples</a> |

(1) The marketing status values are defined as follows:

**ACTIVE:** Product device recommended for new designs.

**LIFEBUY:** TI has announced that the device will be discontinued, and a lifetime-buy period is in effect.

**NRND:** Not recommended for new designs. Device is in production to support existing customers, but TI does not recommend using this part in a new design.

**PREVIEW:** Device has been announced but is not in production. Samples may or may not be available.

**OBSOLETE:** TI has discontinued the production of the device.

(2) **RoHS:** TI defines "RoHS" to mean semiconductor products that are compliant with the current EU RoHS requirements for all 10 RoHS substances, including the requirement that RoHS substance do not exceed 0.1% by weight in homogeneous materials. Where designed to be soldered at high temperatures, "RoHS" products are suitable for use in specified lead-free processes. TI may reference these types of products as "Pb-Free".

**RoHS Exempt:** TI defines "RoHS Exempt" to mean products that contain lead but are compliant with EU RoHS pursuant to a specific EU RoHS exemption.

**Green:** TI defines "Green" to mean the content of Chlorine (Cl) and Bromine (Br) based flame retardants meet JS709B low halogen requirements of <=1000ppm threshold. Antimony trioxide based flame retardants must also meet the <=1000ppm threshold requirement.

(3) MSL, Peak Temp. - The Moisture Sensitivity Level rating according to the JEDEC industry standard classifications, and peak solder temperature.

(4) There may be additional marking, which relates to the logo, the lot trace code information, or the environmental category on the device.

(5) Multiple Device Markings will be inside parentheses. Only one Device Marking contained in parentheses and separated by a "~" will appear on a device. If a line is indented then it is a continuation of the previous line and the two combined represent the entire Device Marking for that device.

(6) Lead finish/Ball material - Orderable Devices may have multiple material finish options. Finish options are separated by a vertical ruled line. Lead finish/Ball material values may wrap to two lines if the finish value exceeds the maximum column width.

**Important Information and Disclaimer:**The information provided on this page represents TI's knowledge and belief as of the date that it is provided. TI bases its knowledge and belief on information provided by third parties, and makes no representation or warranty as to the accuracy of such information. Efforts are underway to better integrate information from third parties. TI has taken and continues to take reasonable steps to provide representative and accurate information but may not have conducted destructive testing or chemical analysis on incoming materials and chemicals. TI and TI suppliers consider certain information to be proprietary, and thus CAS numbers and other limited information may not be available for release.

In no event shall TI's liability arising out of such information exceed the total purchase price of the TI part(s) at issue in this document sold by TI to Customer on an annual basis.

**OTHER QUALIFIED VERSIONS OF TS3DV642-Q1 :**

- Catalog : [TS3DV642](#)

## NOTE: Qualified Version Definitions:

- Catalog - TI's standard catalog product

**TAPE AND REEL INFORMATION**

**QUADRANT ASSIGNMENTS FOR PIN 1 ORIENTATION IN TAPE**


\*All dimensions are nominal

| Device         | Package Type | Package Drawing | Pins | SPQ  | Reel Diameter (mm) | Reel Width W1 (mm) | A0 (mm) | B0 (mm) | K0 (mm) | P1 (mm) | W (mm) | Pin1 Quadrant |
|----------------|--------------|-----------------|------|------|--------------------|--------------------|---------|---------|---------|---------|--------|---------------|
| TS3DV642RUARQ1 | WQFN         | RUA             | 42   | 3000 | 330.0              | 16.4               | 3.8     | 9.3     | 1.0     | 8.0     | 16.0   | Q1            |
| TS3DV642RUATQ1 | WQFN         | RUA             | 42   | 250  | 180.0              | 16.4               | 3.8     | 9.3     | 1.0     | 8.0     | 16.0   | Q1            |

**TAPE AND REEL BOX DIMENSIONS**


\*All dimensions are nominal

| Device         | Package Type | Package Drawing | Pins | SPQ  | Length (mm) | Width (mm) | Height (mm) |
|----------------|--------------|-----------------|------|------|-------------|------------|-------------|
| TS3DV642RUARQ1 | WQFN         | RUA             | 42   | 3000 | 367.0       | 367.0      | 35.0        |
| TS3DV642RUATQ1 | WQFN         | RUA             | 42   | 250  | 210.0       | 185.0      | 35.0        |

## IMPORTANT NOTICE AND DISCLAIMER

TI PROVIDES TECHNICAL AND RELIABILITY DATA (INCLUDING DATA SHEETS), DESIGN RESOURCES (INCLUDING REFERENCE DESIGNS), APPLICATION OR OTHER DESIGN ADVICE, WEB TOOLS, SAFETY INFORMATION, AND OTHER RESOURCES "AS IS" AND WITH ALL FAULTS, AND DISCLAIMS ALL WARRANTIES, EXPRESS AND IMPLIED, INCLUDING WITHOUT LIMITATION ANY IMPLIED WARRANTIES OF MERCHANTABILITY, FITNESS FOR A PARTICULAR PURPOSE OR NON-INFRINGEMENT OF THIRD PARTY INTELLECTUAL PROPERTY RIGHTS.

These resources are intended for skilled developers designing with TI products. You are solely responsible for (1) selecting the appropriate TI products for your application, (2) designing, validating and testing your application, and (3) ensuring your application meets applicable standards, and any other safety, security, regulatory or other requirements.

These resources are subject to change without notice. TI grants you permission to use these resources only for development of an application that uses the TI products described in the resource. Other reproduction and display of these resources is prohibited. No license is granted to any other TI intellectual property right or to any third party intellectual property right. TI disclaims responsibility for, and you will fully indemnify TI and its representatives against, any claims, damages, costs, losses, and liabilities arising out of your use of these resources.

TI's products are provided subject to [TI's Terms of Sale](#) or other applicable terms available either on [ti.com](http://ti.com) or provided in conjunction with such TI products. TI's provision of these resources does not expand or otherwise alter TI's applicable warranties or warranty disclaimers for TI products.

TI objects to and rejects any additional or different terms you may have proposed.

Mailing Address: Texas Instruments, Post Office Box 655303, Dallas, Texas 75265  
Copyright © 2022, Texas Instruments Incorporated