

TS5A22362 0.65-Ω 2-channel SPDT Analog Switches With Negative Signaling Capability

1 Features

- Specified break-before-make switching
- Negative signaling capability: maximum swing from -2.75 V to 2.75 V ($V_{CC} = 2.75\text{ V}$)
- Low ON-state resistance ($0.65\ \Omega$ typical)
- Low charge injection
- Excellent ON-state resistance matching
- 2.3-V to 5.5-V Power supply (V_{CC})
- Latch-Up performance exceeds 100 mA Per JESD 78, Class II
- ESD Performance tested per JESD 22
 - 2500-V Human-body model (A114-B, class II)
 - 1500-V Charged-device model (C101)
 - 200-V Machine model (A115-A)

2 Applications

- [Cell phones](#)
- [Personal digital assistant \(PDAs\)](#)
- [Portable instrumentation](#)
- [Audio routing](#)
- [Medical imaging](#)

3 Description

The TS5A22362 is a bidirectional, 2-channel single-pole double-throw (SPDT) analog switch designed to operate from 2.3 V to 5.5 V. The device features negative signal swing capability that allows signals below ground to pass through the switch without distortion. The break-before-make feature prevents signal distortion during the transferring of a signal from one path to another. Low ON-state resistance, excellent channel-to-channel ON-state resistance matching, and minimal total harmonic distortion (THD) performance are ideal for audio applications. The 3.00 mm × 3.00 mm DRC package is also available as a nonmagnetic package for medical imaging application.

Device Information⁽¹⁾

| PART NUMBER | PACKAGE | BODY SIZE (NOM) |
|-------------|------------|-------------------|
| TS5A22362 | VSON (10) | 3.00 mm × 3.00 mm |
| | DSBGA (10) | 1.86 mm × 1.36 mm |
| | VSSOP (10) | 3.00 mm × 3.00 mm |

(1) For all available packages, see the orderable addendum at the end of the data sheet.

Typical Application Schematic

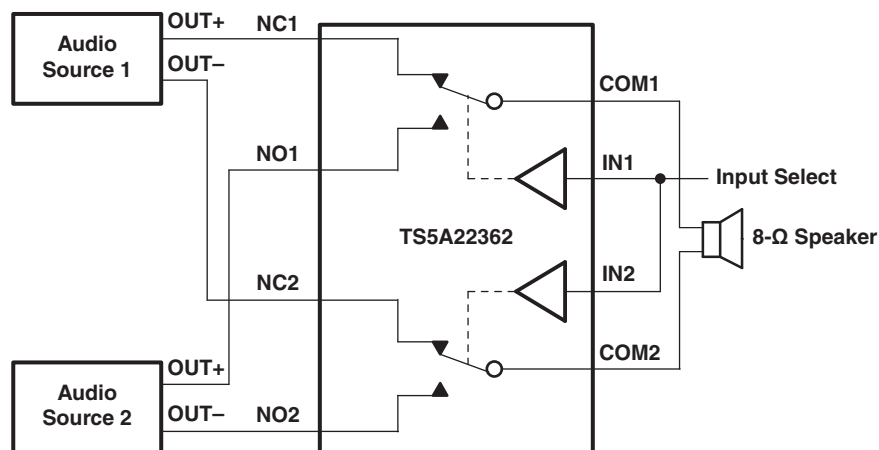


Table of Contents

| | | | |
|---|-----------|--|-----------|
| 1 Features | 1 | 8.2 Functional Block Diagram | 15 |
| 2 Applications | 1 | 8.3 Feature Description | 15 |
| 3 Description | 1 | 8.4 Device Functional Modes | 15 |
| 4 Revision History | 2 | 9 Application and Implementation | 16 |
| 5 Pin Configuration and Functions | 3 | 9.1 Application Information | 16 |
| 6 Specifications | 4 | 9.2 Typical Application | 16 |
| 6.1 Absolute Maximum Ratings | 4 | 10 Power Supply Recommendations | 18 |
| 6.2 ESD Ratings | 4 | 11 Layout | 18 |
| 6.3 Recommended Operating Conditions | 4 | 11.1 Layout Guidelines | 18 |
| 6.4 Thermal Information | 5 | 11.2 Layout Example | 18 |
| 6.5 Electrical Characteristics for 2.5-V Supply | 5 | 12 Device and Documentation Support | 19 |
| 6.6 Electrical Characteristics for 3.3-V Supply | 6 | 12.1 Receiving Notification of Documentation Updates | 19 |
| 6.7 Electrical Characteristics for 5-V Supply | 7 | 12.2 Community Resources | 19 |
| 6.8 Typical Characteristics | 9 | 12.3 Trademarks | 19 |
| 7 Parameter Measurement Information | 11 | 12.4 Electrostatic Discharge Caution | 19 |
| 8 Detailed Description | 15 | 12.5 Glossary | 19 |
| 8.1 Overview | 15 | 13 Mechanical, Packaging, and Orderable Information | 19 |

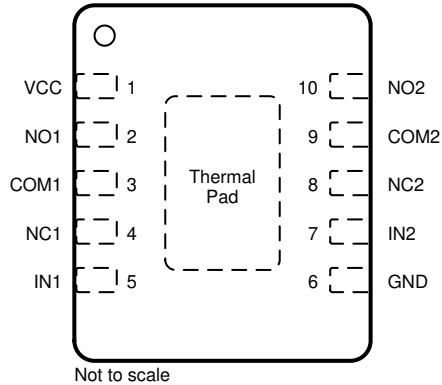
4 Revision History

NOTE: Page numbers for previous revisions may differ from page numbers in the current version.

| | |
|--|-------------|
| Changes from Revision D (March 2018) to Revision E | Page |
| • Changed the YZP Package view From: Top View To: Bottom View | 3 |
| Changes from Revision C (June 2017) to Revision D | Page |
| • Changed the YZP Package From: Laser Marketing View and Bump View To: Top View | 3 |
| • Changed the Q _C TYP value From: 10 pC To: 150 pC in the <i>Electrical Characteristics for 5-V Supply</i> table | 8 |
| Changes from Revision B (September 2015) to Revision C | Page |
| • Changed the V _{IN} MAX value From: V _{CC} To: 5.5 V in the <i>Recommended Operating Conditions</i> table | 4 |
| Changes from Revision A (August 2015) to Revision B | Page |
| • Changed C _L TEST CONDITION value for all THD PARAMETERS from 15 pf to 35 pf. | 6 |
| Changes from Original (June 2015) to Revision A | Page |
| • Changed the Functional Block Diagram | 15 |

5 Pin Configuration and Functions

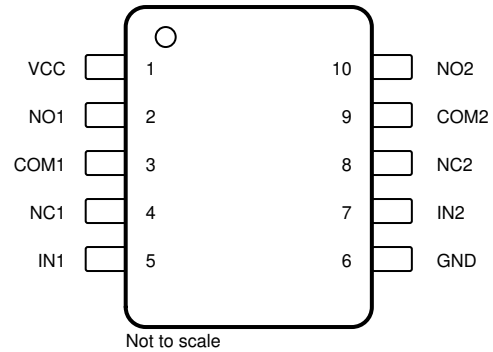
**DRC Package
10-Pin VSON
Top View**



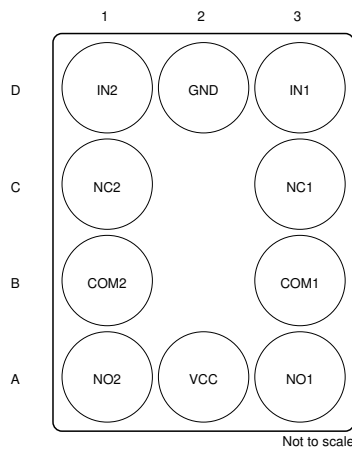
The exposed center pad, if used, must be

connected as a secondary GND or left electrically open.

**DGS Package
10-Pin VSSOP
Top View**



**YZP Package
10-Pin DSBGA
Bottom View**



Pin Functions

| NAME | PIN | | | TYPE | DESCRIPTION |
|------|------|-------|-------|------|--|
| | VSON | VSSOP | DSBGA | | |
| VCC | 1 | 1 | A2 | — | Power Supply |
| NO1 | 2 | 2 | A3 | I/O | Normally Open (NO) signal path, Switch 1 |
| COM1 | 3 | 3 | B3 | I/O | Common signal path, Switch 1 |
| NC1 | 4 | 4 | C3 | I/O | Normally Closed (NC) signal path, Switch 1 |
| IN1 | 5 | 5 | D3 | I | Digital control pin , Switch 1 |
| GND | 6 | 6 | D2 | — | Ground |
| IN2 | 7 | 7 | D1 | I | Digital control pin, Switch 2 |
| NC2 | 8 | 8 | C1 | I/O | Normally Closed (NC) signal path, Switch 2 |
| COM2 | 9 | 9 | B1 | I/O | Common signal path, Switch 2 |
| NO2 | 10 | 10 | A1 | I/O | Normally Open (NO) signal Path, Switch 2 |

6 Specifications

6.1 Absolute Maximum Ratings

over operating free-air temperature range (unless otherwise noted) ⁽¹⁾

| | | MIN | MAX | UNIT |
|--|--|---|----------------|------|
| V_{CC} ⁽²⁾ | Supply voltage ⁽³⁾ | -0.5 | 6 | V |
| V_{NC} V_{NO} V_{COM} | Analog voltage ⁽³⁾ ⁽⁴⁾ ⁽⁵⁾ | $V_{CC} - 6$ | $V_{CC} + 0.5$ | V |
| $I_{I/OK}$ | Analog port diode current $V_{NC}, V_{NO}, V_{COM} < 0$ or $V_{NC}, V_{NO}, V_{COM} > V_{CC}$ | -50 | 50 | mA |
| I_{NC} I_{NO} I_{COM} | ON-state switch current ON-state peak switch current ⁽⁶⁾ | $V_{NC}, V_{NO}, V_{COM} = 0$ to V_{CC} | | mA |
| I_{NC} ⁽³⁾ ⁽⁷⁾ ⁽⁸⁾ I_{NO} ⁽³⁾ ⁽⁷⁾ ⁽⁸⁾ I_{COM} ⁽³⁾ ⁽⁷⁾ ⁽⁸⁾ | ON-state switch current ON-state peak switch current ⁽⁶⁾ | $V_{NC}, V_{NO}, V_{COM} = 0$ to V_{CC} | | mA |
| V_I | Digital input voltage | -0.5 | 6.5 | V |
| I_{IK} | Digital input clamp current ⁽³⁾ ⁽⁴⁾ $V_I < 0$ | -50 | 50 | mA |
| I_{CC} I_{GND} | Continuous current through V_{CC} or GND | -100 | 100 | mA |
| T_{stg} | Storage temperature | -65 | 150 | °C |

- (1) Stresses beyond those listed under *Absolute Maximum Ratings* may cause permanent damage to the device. These are stress ratings only, which do not imply functional operation of the device at these or any other conditions beyond those indicated under *Recommended Operating Conditions*. Exposure to absolute-maximum-rated conditions for extended periods may affect device reliability.
- (2) The algebraic convention, whereby the most negative value is a minimum and the most positive value is a maximum
- (3) All voltages are with respect to ground, unless otherwise specified.
- (4) The input and output voltage ratings may be exceeded if the input and output clamp-current ratings are observed.
- (5) This value is limited to 5.5 V maximum.
- (6) Pulse at 1-ms duration < 10% duty cycle.
- (7) $V_{CC} = 3.0$ V to 5.0 V, $T_A = -40^\circ\text{C}$ to 85°C .
- (8) For YZP package only.

6.2 ESD Ratings

| | | VALUE | UNIT |
|-------------------------------------|--|-------|------|
| $V_{(ESD)}$ Electrostatic discharge | Human-body model (HBM), per ANSI/ESDA/JEDEC JS-001 ⁽¹⁾ | ±2500 | V |
| | Charged-device model (CDM), per JEDEC specification JESD22-C101 ⁽²⁾ | ±1500 | |

- (1) JEDEC document JEP155 states that 500-V HBM allows safe manufacturing with a standard ESD control process.
- (2) JEDEC document JEP157 states that 250-V CDM allows safe manufacturing with a standard ESD control process.

6.3 Recommended Operating Conditions

over operating free-air temperature range (unless otherwise noted)

| | | MIN | MAX | UNIT |
|-----------------------------------|---------------------|----------------|----------|------|
| V_{CC} | Supply voltage | 2.3 | 5.5 | V |
| V_{NC} V_{NO} V_{COM} | Signal path voltage | $V_{CC} - 5.5$ | V_{CC} | V |
| V_{IN} | Digital control | GND | 5.5 | V |

6.4 Thermal Information

| THERMAL METRIC ⁽¹⁾ | | TS5A22362 | | | UNIT |
|-------------------------------|--|-------------|------------|-------------|------|
| | | DGS (VSSOP) | DRC (VSON) | YZP (DSBGA) | |
| | | 10 PINS | 10 PINS | 10 PINS | |
| R _{θJA} | Junction-to-ambient thermal resistance | 163.3 | 44.3 | 90.9 | °C/W |
| R _{θJC(top)} | Junction-to-case (top) thermal resistance | 56.4 | 70.1 | 0.3 | °C/W |
| R _{θJB} | Junction-to-board thermal resistance | 83.1 | 19.3 | 8.3 | °C/W |
| ψ _{JT} | Junction-to-top characterization parameter | 6.8 | 2.0 | 3.2 | °C/W |
| ψ _{JB} | Junction-to-board characterization parameter | 81.8 | 19.4 | 8.3 | °C/W |

(1) For more information about traditional and new thermal metrics, see the [Semiconductor and IC Package Thermal Metrics](#) application report.

6.5 Electrical Characteristics for 2.5-V Supply

V_{CC} = 2.3 V to 2.7 V, T_A = –40°C to 85°C (unless otherwise noted) ⁽¹⁾

| PARAMETER | | TEST CONDITIONS | | T _A | V _{CC} | MIN | TYP | MAX | UNIT |
|--|--|---|--|----------------|-------------------------|-----------------------|------|-----------------|------|
| Analog Switch | | | | | | | | | |
| V _{COM} , V _{NO} , V _{NC} | Analog signal range | | | | | V _{CC} – 5.5 | | V _{CC} | V |
| R _{on} | ON-state resistance | V _{NC} or V _{NO} = V _{CC} , 1.5 V, V _{CC} – 5.5 V I _{COM} = –100 mA, | COM to NO or NC, see Figure 13 | 25°C Full | 2.7 V | 0.65 | 0.94 | 1.3 | Ω |
| ΔR _{on} | ON-state resistance match between channels | V _{NC} or V _{NO} = 1.5 V, I _{COM} = –100 mA, | COM to NO or NC, see Figure 13 | 25°C Full | 2.7 V | 0.023 | 0.11 | 0.15 | Ω |
| R _{on(flat)} | ON-state resistance flatness | V _{NC} or V _{NO} = V _{CC} , 1.5 V, V _{CC} – 5.5 V I _{COM} = –100 mA, | COM to NO or NC, see Figure 13 | 25°C Full | 2.7 V | 0.18 | 0.46 | 0.5 | Ω |
| I _{NC(OFF)} , I _{NO(OFF)} | NC, NO OFF leakage current | V _{NC} = 2.25 V, V _{CC} – 5.5 V V _{COM} = V _{CC} – 5.5 V, 2.25 V V _{NO} = Open COM to NO or V _{NO} = 2.25 V, V _{CC} – 5.5 V, V _{COM} = V _{CC} – 5.5 V, 2.25 V V _{NC} = Open COM to NC | See Figure 14 | 25°C Full | 2.7 V | –50 | | 50 | nA |
| I _{COM(ON)} | COM ON leakage current | V _{NC} and V _{NO} = Floating, V _{COM} = V _{CC} , V _{CC} – 5.5 V | See Figure 15 | 25°C Full | 2.7 V | –50 | | 50 | nA |
| Digital Control Inputs (IN) ⁽²⁾ | | | | | | | | | |
| V _{IH} | Input logic high | | | Full | | 1.4 | | 5.5 | V |
| V _{IL} | Input logic low | | | | | | | 0.6 | |
| I _{IH} , I _{IL} | Input leakage current | V _{IN} = V _{CC} or 0 | | 25°C Full | 2.7 V | –250 | | 250 | nA |
| Dynamic | | | | | | | | | |
| t _{ON} | Turnon time | V _{COM} = V _{CC} , R _L = 300 Ω, | C _L = 35 pF, see Figure 17 | 25°C Full | 2.5 V 2.3 V to 2.7 V | | 44 | 80 | ns |
| t _{OFF} | Turnoff time | V _{COM} = V _{CC} , R _L = 300 Ω, | C _L = 35 pF, see Figure 17 | 25°C Full | 2.5 V 2.3 V to 2.7 V | | 22 | 70 | ns |
| t _{BBM} | Break-before-make time | See Figure 18 | | 25°C | 2.5 V | 1 | 7 | | ns |
| Q _C | Charge injection | V _{GEN} = 0, R _{GEN} = 0, | C _L = 1 nF, see Figure 22 | 25°C | 2.5 V | | 150 | | pC |
| C _{NC(OFF)} , C _{NO(OFF)} | NC, NO OFF capacitance | V _{NC} or V _{NO} = V _{CC} or GND, | | 25°C | 2.5 V | | 70 | | pF |

(1) The algebraic convention, whereby the most negative value is a minimum and the most positive value is a maximum

(2) All unused digital inputs of the device must be held at V_{CC} or GND to ensure proper device operation. Refer to the TI application report, [Implications of Slow or Floating CMOS Inputs, SCBA004](#).

Electrical Characteristics for 2.5-V Supply (continued)

 $V_{CC} = 2.3 \text{ V to } 2.7 \text{ V}$, $T_A = -40^\circ\text{C to } 85^\circ\text{C}$ (unless otherwise noted) ⁽¹⁾

| PARAMETER | TEST CONDITIONS | T_A | V_{CC} | MIN | TYP | MAX | UNIT |
|---------------|---|--|----------|-------|-----|-------|---------------|
| $C_{COM(ON)}$ | NC, NO, COM ON capacitance $V_{COM} = V_{CC}$ or GND, Switch ON, $f = 10 \text{ MHz}$ | See Figure 16 | 25°C | 2.5 V | | 370 | pF |
| C_i | Digital input capacitance $V_i = V_{CC}$ or GND | See Figure 16 | 25°C | 2.5 V | | 2.6 | pF |
| BW | Bandwidth $R_L = 50 \Omega$, -3 dB | See Figure 18 | 25°C | 2.5 V | | 17 | MHz |
| O_{ISO} | OFF isolation $R_L = 50 \Omega$ | $f = 100 \text{ kHz}$, see Figure 20 | 25°C | 2.5 V | | -66 | dB |
| X_{TALK} | Crosstalk $R_L = 50 \Omega$ | $f = 100 \text{ kHz}$, see Figure 21 | 25°C | 2.5 V | | -75 | dB |
| THD | Total harmonic distortion $R_L = 600 \Omega$, $C_L = 35 \text{ pF}$ | $f = 20 \text{ Hz to } 20 \text{ kHz}$, see Figure 23 | 25°C | 2.5 V | | 0.01% | |
| Supply | | | | | | | |
| I_{CC} | Positive supply current V_{COM} and $V_{IN} = V_{CC}$ or GND, V_{NC} and $V_{NO} = \text{Floating}$ | 25°C | 2.7 V | | 0.2 | 1.1 | μA |
| | | Full | | | | 1.3 | |
| I_{CC} | Positive supply current $V_{COM} = V_{CC} - 5.5 \text{ V}$, $V_{IN} = V_{CC}$ or GND, V_{NC} and $V_{NO} = \text{Floating}$ | | Full | 2.7 V | | 3.3 | μA |

6.6 Electrical Characteristics for 3.3-V Supply

 $V_{CC} = 3 \text{ V to } 3.6 \text{ V}$, $T_A = -40^\circ\text{C to } 85^\circ\text{C}$ (unless otherwise noted) ⁽¹⁾

| PARAMETER | TEST CONDITIONS | T_A | V_{CC} | MIN | TYP | MAX | UNIT |
|---|--|-------|----------|----------------|-------|----------|----------|
| ANALOG SWITCH | | | | | | | |
| V_{COM} , V_{NO} , V_{NC} | Analog signal range | | | $V_{CC} - 5.5$ | | V_{CC} | V |
| R_{on} | ON-state resistance V_{NC} or $V_{NO} \leq V_{CC}$, 1.5 V, $V_{CC} - 5.5 \text{ V}$, $I_{COM} = -100 \text{ mA}$ | 25°C | 3 V | | 0.61 | 0.87 | Ω |
| | | Full | | | | 0.97 | |
| ΔR_{on} | ON-state resistance match between channels V_{NC} or $V_{NO} = 1.5 \text{ V}$, $I_{COM} = -100 \text{ mA}$ | 25°C | 3 V | | 0.024 | 0.13 | Ω |
| | | Full | | | | 0.13 | |
| $R_{on(Flat)}$ | ON-state resistance flatness V_{NC} or $V_{NO} \leq V_{CC}$, 1.5 V, $V_{CC} - 5.5 \text{ V}$, $I_{COM} = -100 \text{ mA}$ | 25°C | 3 V | | 0.12 | 0.46 | Ω |
| | | Full | | | | 0.5 | |
| $I_{NC(OFF)}$, $I_{NO(OFF)}$ | NC, NO OFF leakage current $V_{NC} = 3 \text{ V}$, $V_{CC} - 5.5 \text{ V}$, $V_{COM} = V_{CC} - 5.5 \text{ V}$, 3 V, $V_{NO} = \text{Open}$, COM to NO or $V_{NO} = 3 \text{ V}$, $V_{CC} - 5.5 \text{ V}$, $V_{COM} = V_{CC} - 5.5 \text{ V}$, 3 V, $V_{NC} = \text{Open}$, COM to NC | 25°C | 3.6 V | | -50 | 50 | nA |
| | | Full | | | | -375 | |
| $I_{COM(ON)}$ | COM ON leakage current V_{NC} and $V_{NO} = \text{Floating}$, $V_{COM} = V_{CC}$, $V_{CC} - 5.5 \text{ V}$ | 25°C | 3.6 V | | -50 | 50 | nA |
| | | Full | | | | -375 | |
| DIGITAL CONTROL INPUTS (IN) ⁽²⁾ | | | | | | | |
| V_{IH} | Input logic high | | Full | | 1.4 | 5.5 | V |
| V_{IL} | Input logic low | | | | | 0.8 | |
| I_{IH} , I_{IL} | Input leakage current $V_{IN} = V_{CC}$ or 0 | 25°C | 3.6 V | | -250 | 250 | nA |
| | | Full | | | | -250 | |

(1) The algebraic convention, whereby the most negative value is a minimum and the most positive value is a maximum

(2) All unused digital inputs of the device must be held at V_{CC} or GND to ensure proper device operation. Refer to the TI application report, *Implications of Slow or Floating CMOS Inputs*, literature number [SCBA004](#).

Electrical Characteristics for 3.3-V Supply (continued)

 $V_{CC} = 3\text{ V to }3.6\text{ V}$, $T_A = -40^\circ\text{C to }85^\circ\text{C}$ (unless otherwise noted) ⁽¹⁾

| PARAMETER | | TEST CONDITIONS | | T_A | V_{CC} | MIN | TYP | MAX | UNIT |
|----------------------------------|-------------------------------|---|--|-------|--------------|-----|--------|-----|---------------|
| DYNAMIC | | | | | | | | | |
| t_{ON} | Turnon time | $V_{COM} = V_{CC}$, $R_L = 300\ \Omega$ | $C_L = 35\text{ pF}$, see Figure 17 | 25°C | 3.3 V | | 34 | 80 | ns |
| | | | | Full | 3 V to 3.6 V | | | 120 | |
| t_{OFF} | Turnoff time | $V_{COM} = V_{CC}$, $R_L = 300\ \Omega$ | $C_L = 35\text{ pF}$, see Figure 17 | 25°C | 3.3 V | | 19 | 70 | ns |
| | | | | Full | 3 V to 3.6 V | | | 70 | |
| t_{BBM} | Break-before-make time | See Figure 18 | | 25°C | 3.3 V | 1 | 7 | | ns |
| Q_C | Charge injection | $V_{GEN} = 0$, $R_{GEN} = 0$ | $C_L = 1\text{ nF}$, see Figure 22 | 25°C | 3.3 V | | 150 | | pC |
| $C_{NC(OFF)}$, $C_{NO(OFF)}$ | NC, NO OFF capacitance | V_{NC} or $V_{NO} = V_{CC}$ or $V_{CC} - 5.5\text{ V}$ | See Figure 16 | 25°C | 3.3 V | | 70 | | pF |
| $C_{COM(ON)}$ | NC, NO, COM ON capacitance | $V_{COM} = V_{CC}$ or GND, $f = 10\text{ MHz}$ | See Figure 16 | 25°C | 3.3 V | | 370 | | pF |
| C_I | Digital input capacitance | $V_I = V_{CC}$ or GND | See Figure 16 | 25°C | 3.3 V | | 2.6 | | pF |
| BW | Bandwidth | $R_L = 50\ \Omega$, -3 dB | Switch ON, see Figure 18 | 25°C | 3.3 V | | 17.5 | | MHz |
| O_{ISO} | OFF isolation | $R_L = 50\ \Omega$ | $f = 100\text{ kHz}$, see Figure 20 | 25°C | 3.3 V | | -68 | | dB |
| X_{TALK} | Crosstalk | $R_L = 50\ \Omega$ | $f = 100\text{ kHz}$, see Figure 21 | 25°C | 3.3 V | | -76 | | dB |
| THD | Total harmonic distortion | $R_L = 600\ \Omega$, $C_L = 35\text{ pF}$ | $f = 20\text{ Hz to }20\text{ kHz}$, see Figure 23 | 25°C | 3.3 V | | 0.008% | | |
| SUPPLY | | | | | | | | | |
| I_{CC} | Positive supply current | V_{COM} and $V_{IN} = V_{CC}$ or GND, V_{NC} and $V_{NO} = \text{Floating}$ | | 25°C | 3.6 V | | 0.1 | 1.2 | μA |
| | | | | Full | | | | 1.3 | |
| | | $V_{COM} = V_{CC} - 5.5\text{ V}$, $V_{IN} = V_{CC}$ or GND, V_{NC} and $V_{NO} = \text{Floating}$ | | Full | 3.6 V | | | 3.4 | μA |

6.7 Electrical Characteristics for 5-V Supply

 $V_{CC} = 4.5\text{ V to }5.5\text{ V}$, $T_A = -40^\circ\text{C to }85^\circ\text{C}$ (unless otherwise noted) ⁽¹⁾

| PARAMETER | | TEST CONDITIONS | | T_A | V_{CC} | MIN | TYP | MAX | UNIT |
|------------------------------------|--|--|-----------------------------------|-------|----------|----------------|-------|----------|----------|
| ANALOG SWITCH | | | | | | | | | |
| V_{COM} , V_{NO} , V_{NC} | Analog signal range | | | | | $V_{CC} - 5.5$ | | V_{CC} | V |
| R_{on} | ON-state resistance | V_{NC} or $V_{NO} = V_{CC}$, 1.6 V, $V_{CC} = -5.5\text{ V}$, $I_{COM} = -100\text{ mA}$ | COM to NO or NC, see Figure 13 | 25°C | 4.5 V | | 0.52 | 0.74 | Ω |
| | | | | Full | | | | 0.83 | |
| ΔR_{on} | ON-state resistance match between channels | V_{NC} or $V_{NO} = 1.6\text{ V}$, $I_{COM} = -100\text{ mA}$ | COM to NO or NC, see Figure 13 | 25°C | 4.5 V | | 0.04 | 0.23 | Ω |
| | | | | Full | | | | 0.30 | |
| $R_{on(flat)}$ | ON-state resistance flatness | V_{NC} or $V_{NO} = V_{CC}$, 1.6 V, $V_{CC} = -5.5\text{ V}$, $I_{COM} = -100\text{ mA}$ | COM to NO or NC, see Figure 13 | 25°C | 4.5 V | | 0.076 | 0.46 | Ω |
| | | | | Full | | | | 0.5 | |
| $I_{NC(OFF)}$, $I_{NO(OFF)}$ | NC, NO OFF leakage current | $V_{NC} = 4.5\text{ V}$, $V_{CC} - 5.5\text{ V}$, $V_{COM} = V_{CC} - 5.5\text{ V}$, 4.5 V, $V_{NO} = \text{Open}$, COM to NO or $V_{NO} = 4.5\text{ V}$, $V_{CC} - 5.5\text{ V}$, $V_{COM} = V_{CC} - 5.5\text{ V}$, 4.5 V, $V_{NC} = \text{Open}$, COM to NC | See Figure 14 | 25°C | 5.5 V | | -50 | 50 | nA |
| | | | | Full | | | | -375 | |
| $I_{COM(ON)}$ | COM ON leakage current | V_{NC} and $V_{NO} = \text{Floating}$, $V_{COM} = V_{CC}$, $V_{CC} - 5.5\text{ V}$ | See Figure 15 | 25°C | 5.5 V | | -50 | 50 | nA |
| | | | | Full | | | | -375 | |

(1) The algebraic convention, whereby the most negative value is a minimum and the most positive value is a maximum

Electrical Characteristics for 5-V Supply (continued)
 $V_{CC} = 4.5 \text{ V to } 5.5 \text{ V}$, $T_A = -40^\circ\text{C to } 85^\circ\text{C}$ (unless otherwise noted) ⁽¹⁾

| PARAMETER | | TEST CONDITIONS | | T_A | V_{CC} | MIN | TYP | MAX | UNIT |
|---|----------------------------|--|---|-------|----------------|------|--------|-----|---------------|
| DIGITAL CONTROL INPUTS (IN) ⁽²⁾ | | | | | | | | | |
| V_{IH} | Input logic high | | | Full | | 2.4 | | 5.5 | V |
| V_{IL} | Input logic low | | | | | | | | |
| I_{IH}, I_{IL} | Input leakage current | $V_{IN} = V_{CC}$ or 0 | | 25°C | 5.5 V | -250 | | 250 | nA |
| | | | | Full | | | -250 | | |
| DYNAMIC | | | | | | | | | |
| t_{ON} | Turnon time | $V_{COM} = V_{CC}$, $R_L = 300 \Omega$ | $C_L = 35 \text{ pF}$, see Figure 17 | 25°C | 5 V | | 27 | 80 | ns |
| | | | | Full | 4.5 V to 5.5 V | | | | |
| t_{OFF} | Turnoff time | $V_{COM} = V_{CC}$, $R_L = 300 \Omega$ | $C_L = 35 \text{ pF}$, see Figure 17 | 25°C | 5 V | | 13 | 70 | ns |
| | | | | Full | 4.5 V to 5.5 V | | | | |
| t_{BBM} | Break-before-make time | $V_{NC} = V_{NO} = V_{CC}/2$ $R_L = 300 \Omega$ | $C_L = 35 \text{ pF}$, see Figure 18 | 25°C | 5 V | 1 | 3.5 | | ns |
| Q_C | Charge injection | $V_{GEN} = 0$, $R_{GEN} = 0$ | $C_L = 1 \text{ nF}$, see Figure 22 | 25°C | 5 V | | 150 | | pC |
| $C_{NC(OFF)}, C_{NO(OFF)}$ | NC, NO OFF capacitance | V_{NC} or $V_{NO} = V_{CC}$ or $V_{CC} - 5.5 \text{ V}$ | See Figure 16 | 25°C | 5 V | | 70 | | pF |
| $C_{COM(ON)}$ | NC, NO, COM ON capacitance | $V_{COM} = V_{CC}$ or GND, | See Figure 16 | 25°C | 5 V | | 370 | | pF |
| C_I | Digital input capacitance | $V_I = V_{CC}$ or GND | See Figure 16 | 25°C | 5 V | | 2.6 | | pF |
| BW | Bandwidth | $R_L = 50 \Omega$ | See Figure 18 | 25°C | 5 V | | 18.3 | | MHz |
| O_{ISO} | OFF isolation | $R_L = 50 \Omega$ | $f = 100 \text{ kHz}$, see Figure 20 | 25°C | 5 V | | -70 | | dB |
| X_{TALK} | Crosstalk | $R_L = 50 \Omega$ | $f = 100 \text{ kHz}$, see Figure 21 | 25°C | 5 V | | -78 | | dB |
| THD | Total harmonic distortion | $R_L = 600 \Omega$, $C_L = 35 \text{ pF}$ | $f = 20 \text{ Hz to } 20 \text{ kHz}$, see Figure 23 | 25°C | 5 V | | 0.009% | | |
| SUPPLY | | | | | | | | | |
| I_{CC} | Positive supply current | V_{COM} and $V_{IN} = V_{CC}$ or GND, V_{NC} and $V_{NO} = \text{Floating}$ | | 25°C | 5.5 V | | 0.2 | 1.3 | μA |
| | | | | Full | | | | 3.5 | |
| | | $V_{COM} = V_{CC} - 5.5 \text{ V}$, $V_{IN} = V_{CC}$ or GND, V_{NC} and $V_{NO} = \text{Floating}$ | Full | | | | 5 | | |

(2) All unused digital inputs of the device must be held at V_{CC} or GND to ensure proper device operation. Refer to the TI application report, *Implications of Slow or Floating CMOS Inputs*, [SCBA004](#).

6.8 Typical Characteristics

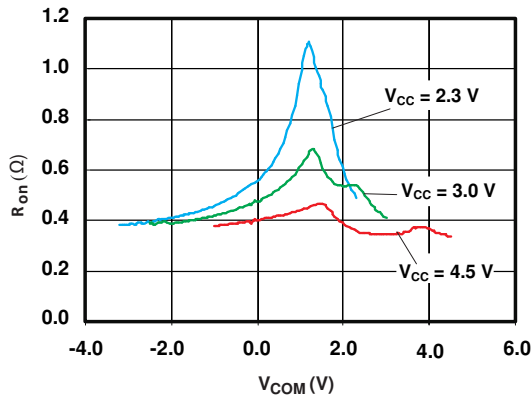


Figure 1. R_{on} vs V_{COM}

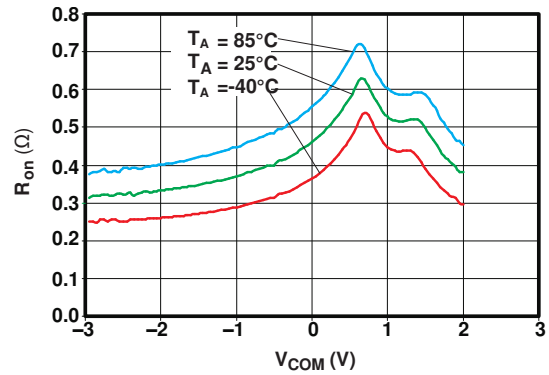


Figure 2. R_{on} vs V_{COM} ($V_{CC} = 2.7\text{ V}$)

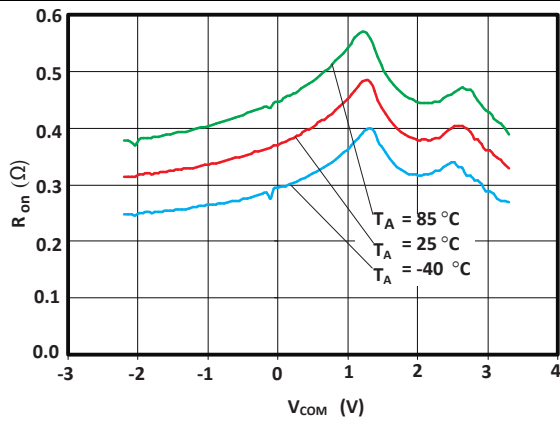


Figure 3. R_{on} vs V_{COM} ($V_{CC} = 3.3\text{ V}$)

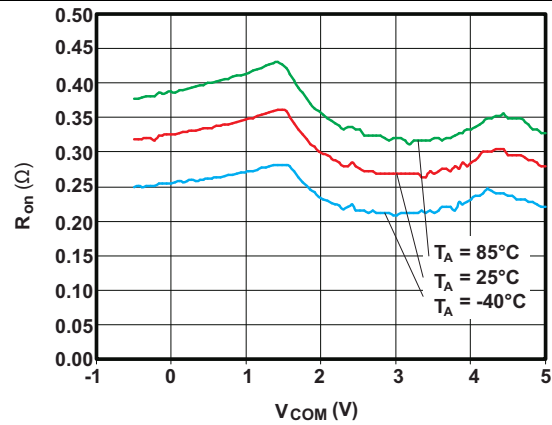


Figure 4. R_{on} vs V_{COM} ($V_{CC} = 5\text{ V}$)

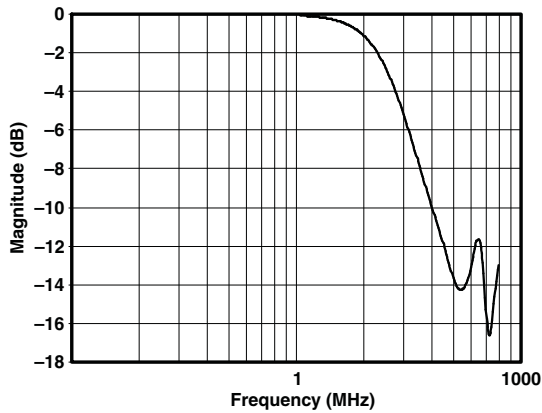


Figure 5. Insertion Loss

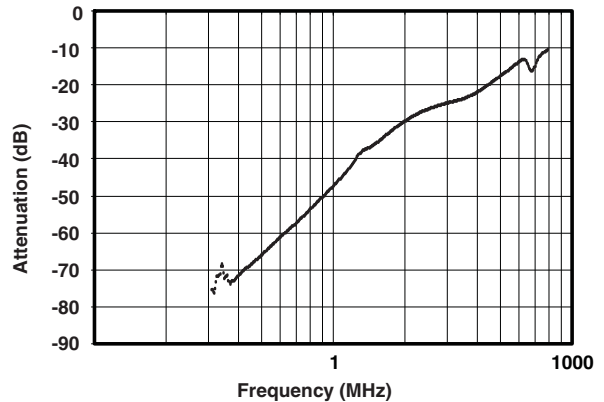


Figure 6. Off Isolation vs Frequency

Typical Characteristics (continued)

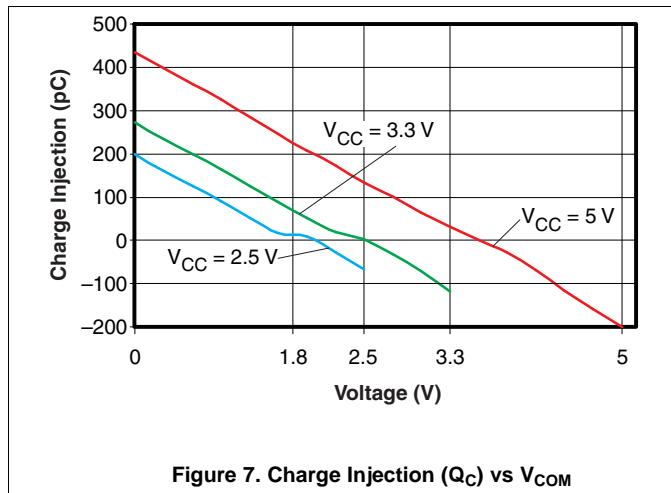


Figure 7. Charge Injection (Q_C) vs V_{COM}

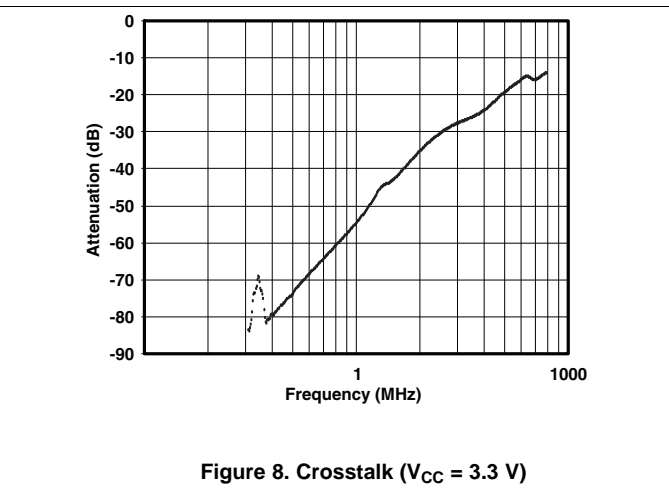


Figure 8. Crosstalk ($V_{CC} = 3.3\text{ V}$)

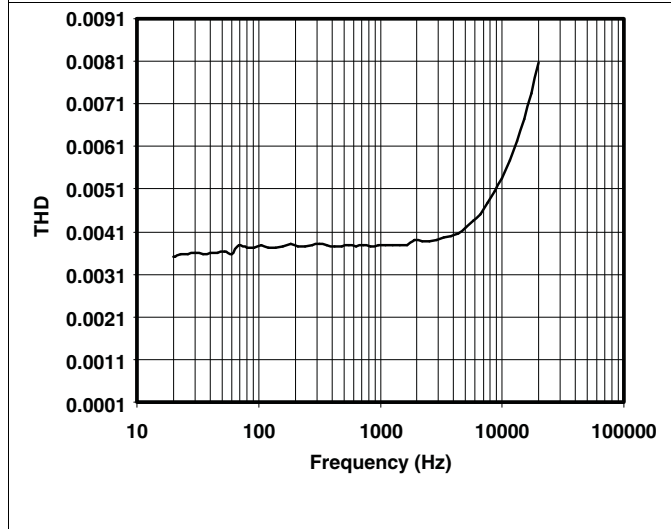


Figure 9. Total Harmonic Distortion vs Frequency

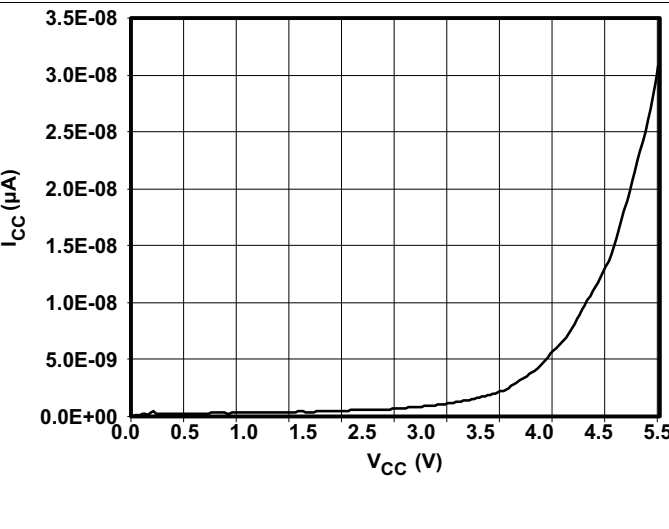


Figure 10. Power-Supply Current vs V_{CC}

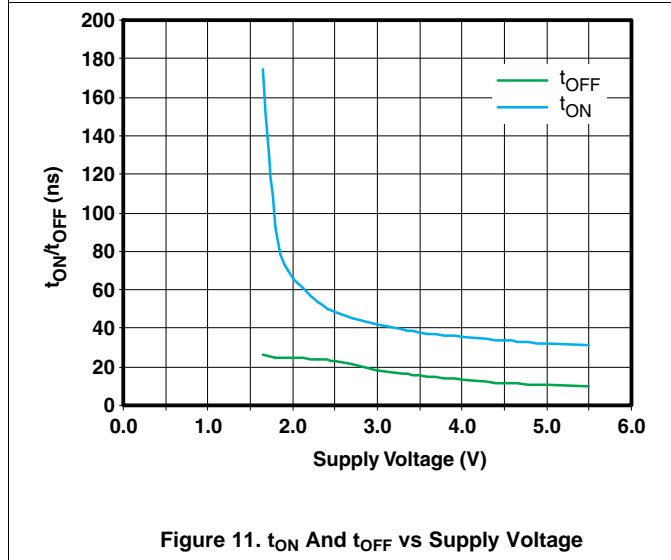


Figure 11. t_{ON} And t_{OFF} vs Supply Voltage

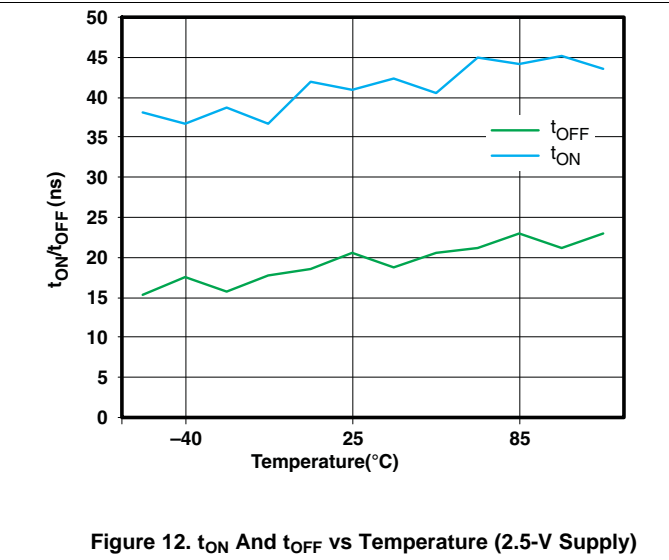


Figure 12. t_{ON} And t_{OFF} vs Temperature (2.5-V Supply)

7 Parameter Measurement Information

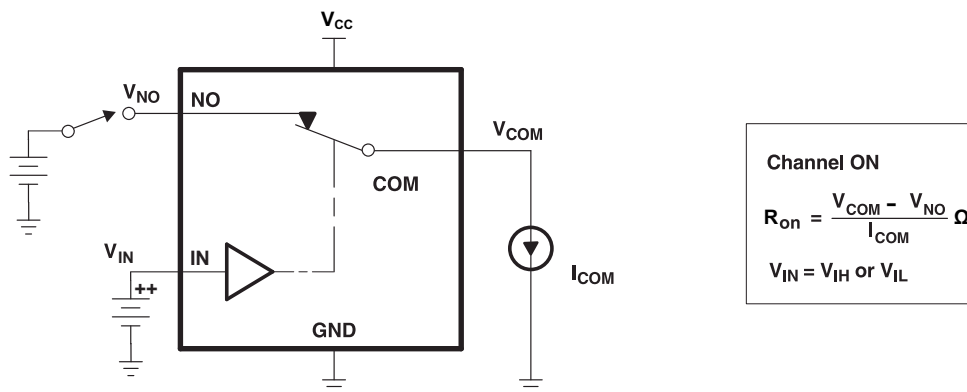


Figure 13. ON-state resistance (R_{on})

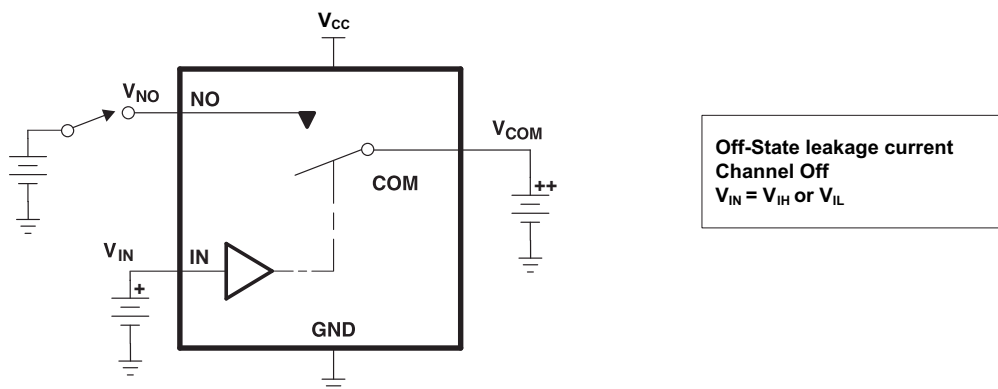


Figure 14. OFF-state leakage current ($I_{COM(OFF)}$, $I_{NO(OFF)}$)

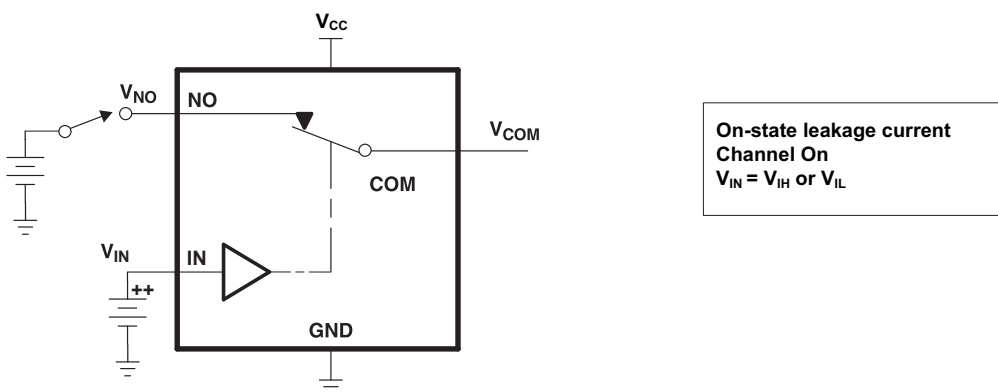


Figure 15. ON-state leakage current ($I_{COM(ON)}$, $I_{NO(ON)}$)

Parameter Measurement Information (continued)

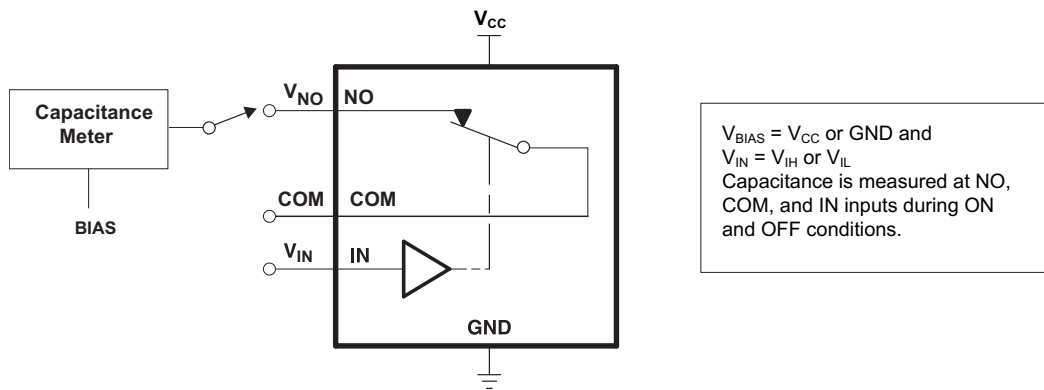
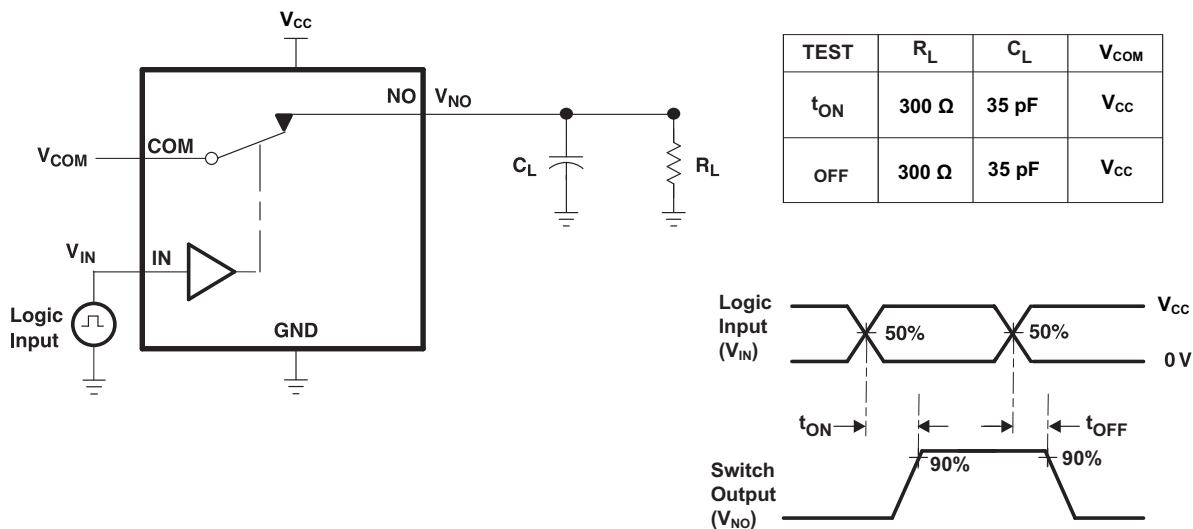


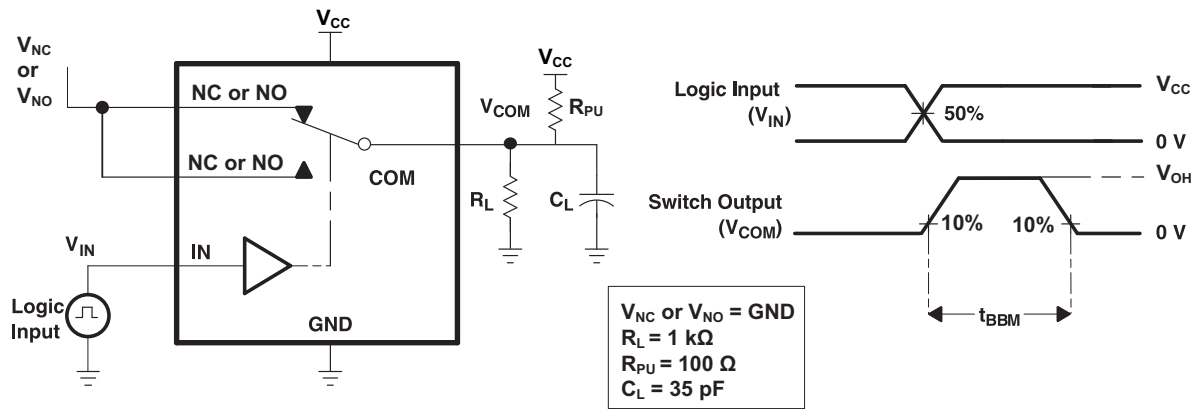
Figure 16. Capacitance (C_I , $C_{COM(OFF)}$, $C_{COM(ON)}$, $C_{NO(OFF)}$, $C_{NO(ON)}$)



- A. All input pulses are supplied by generators having the following characteristics: PRR \leq 10 MHz, $Z_O = 50 \Omega$, $t_r < 5$ ns, $t_f < 5$ ns.
- B. C_L includes probe and jig capacitance.

Figure 17. Turnon (t_{ON}) and Turnoff time (t_{OFF})

Parameter Measurement Information (continued)



- A. C_L includes probe and jig capacitance.
- B. All input pulses are supplied by generators having the following characteristics: $\text{PRR} \leq 10\text{ MHz}$, $Z_O = 50\ \Omega$, $t_r < 5\text{ ns}$, $t_f < 5\text{ ns}$.

Figure 18. Break-Before-Make Time (t_{BBM})

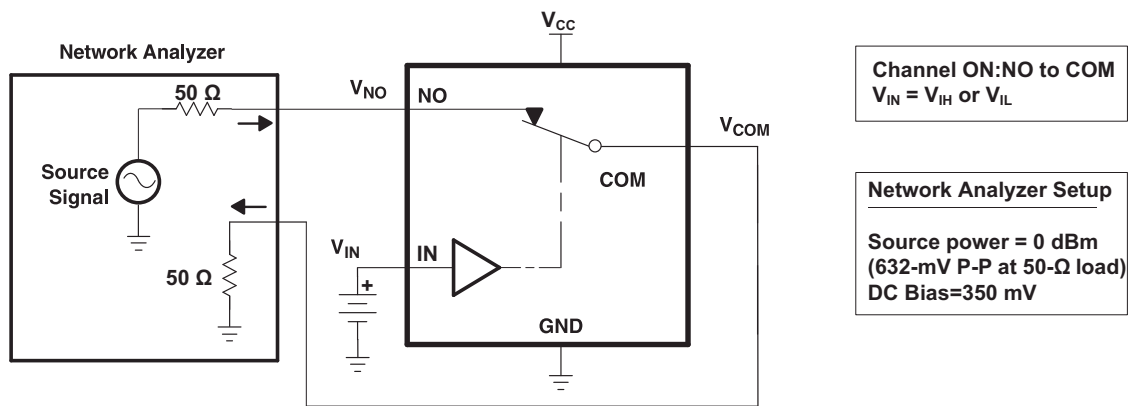


Figure 19. Bandwidth (BW)

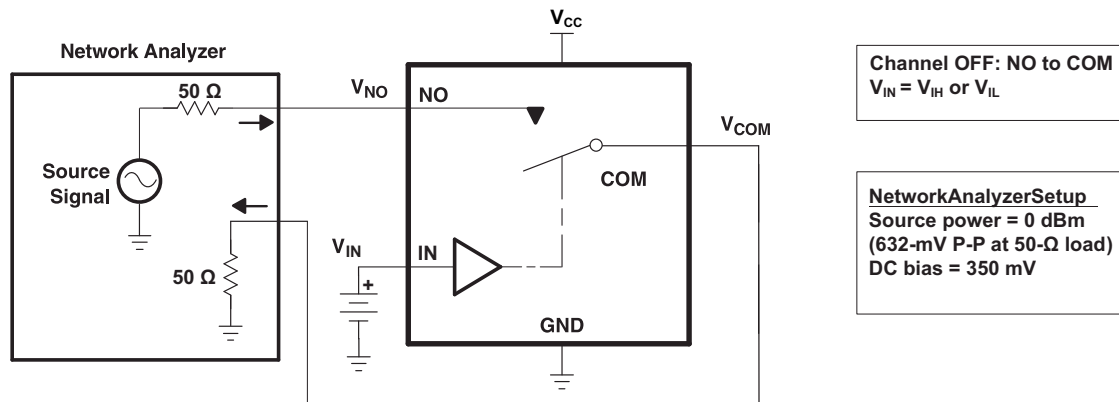


Figure 20. OFF isolation (O_{ISO})

Parameter Measurement Information (continued)

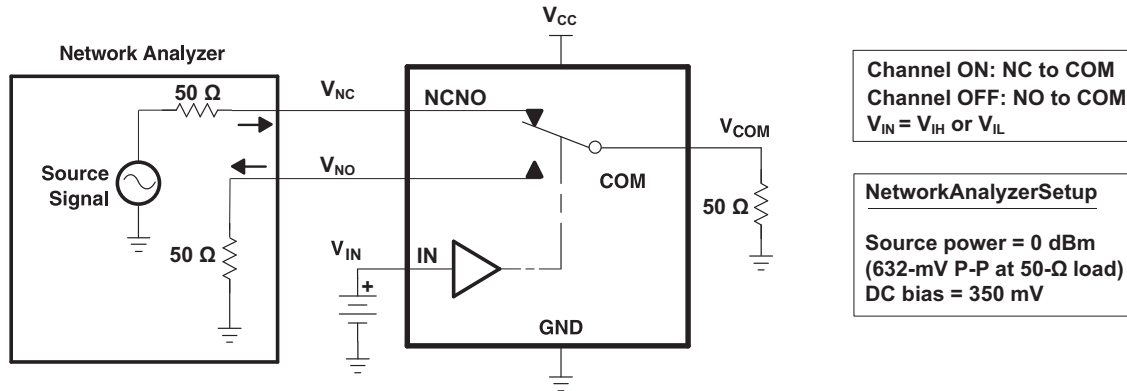
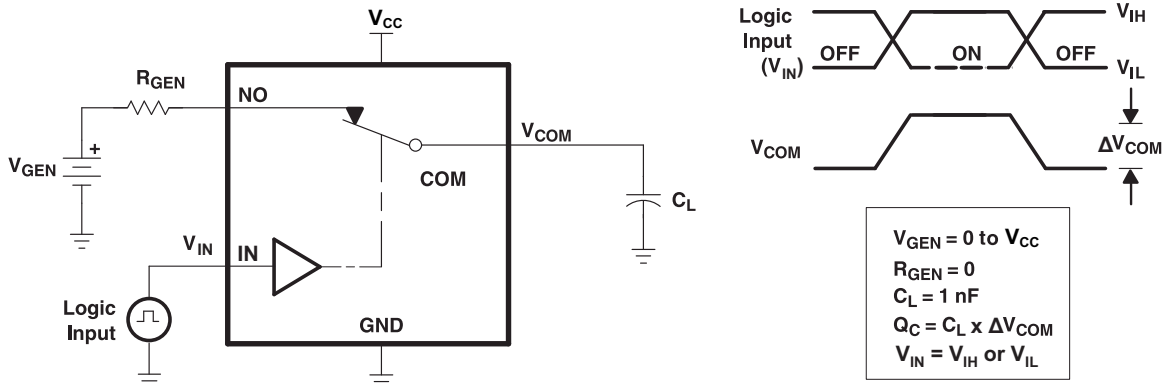


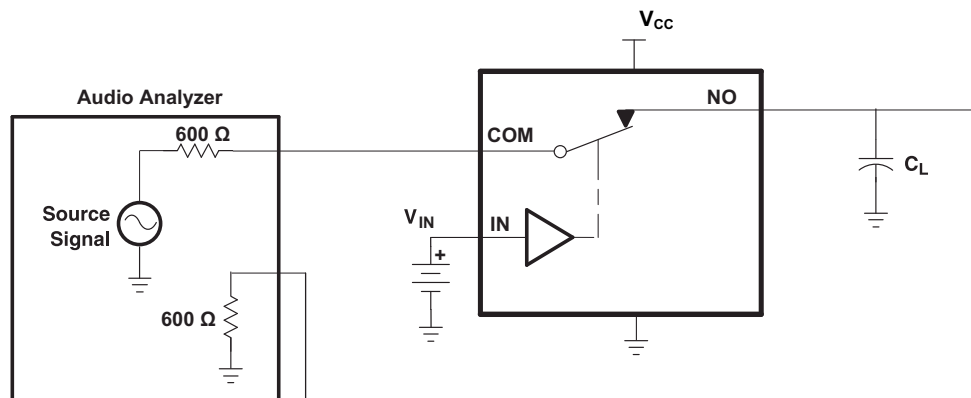
Figure 21. Crosstalk (X_{TALK})



- A. All input pulses are supplied by generators having the following characteristics: $PRR \leq 10$ MHz, $Z_0 = 50 \Omega$, $t_r < 5$ ns, $t_f < 5$ ns.
- B. C_L includes probe and jig capacitance.

Figure 22. Charge injection (Q_C)

Channel ON: COM to NO $V_{IN} = V_{IH}$ or V_{IL} $R_L = 600 \Omega$
 $V_{SOURCE} = 0.5$ V P-P $f_{SOURCE} = 20$ Hz to 20 kHz $C_L = 35$ pF



- A. C_L includes probe and jig capacitance.

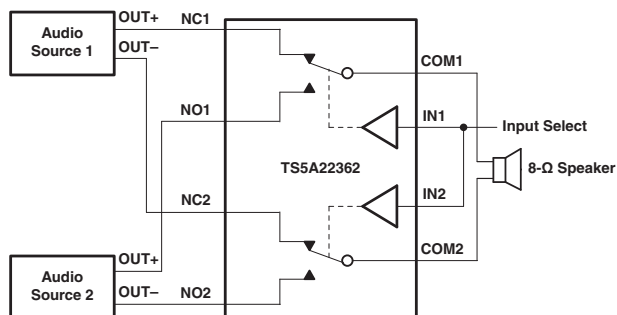
Figure 23. Total Harmonic Distortion (THD)

8 Detailed Description

8.1 Overview

The TS5A22362 is a bidirectional, 2-channel single-pole double-throw (SPDT) analog switches designed to operate from 2.3 V to 5.5 V. The devices feature negative signal capability that allows signals below ground to pass through the switch without distortion. The break-before-make feature prevents signal distortion during the transferring of a signal from one path to another. Low ON-state resistance, excellent channel-to-channel ON-state resistance matching, and minimal total harmonic distortion (THD) performance are ideal for audio applications.

8.2 Functional Block Diagram



8.3 Feature Description

8.3.1 Negative Signaling Capacity

The TS5A22362 dual SPDT switches feature negative signal capability that allows signals below ground to pass through without distortion. These analog switches operate from a single +2.3-V to +5.5-V supply. The input and output signal swing of the device is dependant of the supply voltage V_{CC} : the devices pass signals as high as V_{CC} and as low as $V_{CC} - 5.5$ V, including signals below ground with minimal distortion.

Table 1 shows the input/output signal swing the user can get with different supply voltages.

Table 1. Input/Output signal swing

| SUPPLY VOLTAGE, V_{CC} | MINIMUM (V_{NC}, V_{NO}, V_{COM}) = $V_{CC} - 5.5$ | MAXIMUM (V_{NC}, V_{NO}, V_{COM}) = V_{CC} |
|--------------------------|---|---|
| 5.5 V | 0 V | 5.5 V |
| 4.5 V | -1.9 V | 4.5 V |
| 3.6 V | -2.5 V | 3.6 V |
| 3.0 V | -2.5 V | 3.0 V |
| 2.7 V | -2.8 V | 2.7 V |
| 2.3 V | -3.2 V | 2.3 V |

8.4 Device Functional Modes

The function table for TS5A22362 is shown in Table 2

Table 2. Function Table

| IN | NC TO COM, COM TO NC | NO TO COM, COM TO NO |
|----|-------------------------|-------------------------|
| L | ON | OFF |
| H | OFF | ON |

9 Application and Implementation

NOTE

Information in the following applications sections is not part of the TI component specification, and TI does not warrant its accuracy or completeness. TI's customers are responsible for determining suitability of components for their purposes. Customers should validate and test their design implementation to confirm system functionality.

9.1 Application Information

Ensure that the device is powered up with a supply voltage on VCC before a voltage can be applied to the signal paths NC and NO.

Tie the digitally controlled inputs select pins IN1 and IN2 to V_{CC} or GND to avoid unwanted switch states that could result if the logic control pins are left floating.

All unused digital inputs of the device must be held at VCC or GND to ensure proper device operation. Refer to the TI application report, *Implications of Slow or Floating CMOS Inputs*, [SCBA004](#).

9.2 Typical Application

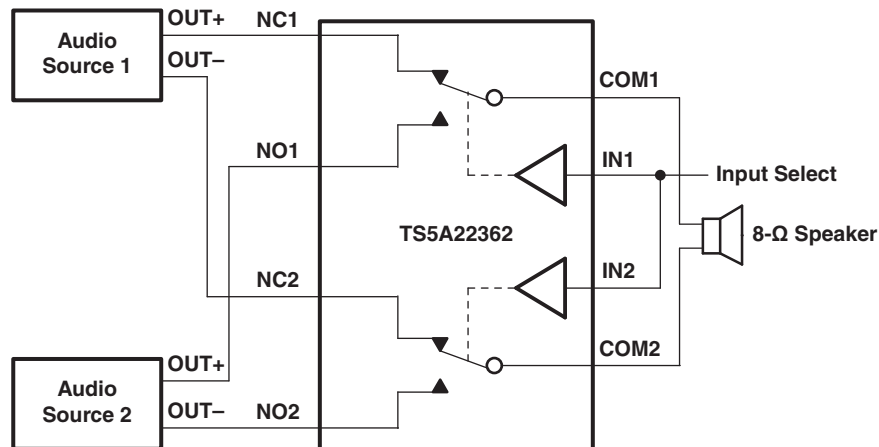


Figure 24. Typical Application

9.2.1 Design Requirements

Tie the digitally controlled inputs select pins IN1 and IN2 to V_{CC} or GND to avoid unwanted switch states that could result if the logic control pins are left floating.

9.2.2 Detailed Design Procedure

Select the appropriate supply voltage to cover the entire voltage swing of the signal passing through the switch because the TS5A22362 operates from a single +2.3-V to +5.5-V supply and the input/output signal swing of the device is dependant of the supply voltage V_{CC}. The device will pass signals as high as V_{CC} and as low as V_{CC} – 5.5 V. Use table 2 as a guide for selecting supply voltage based on the signal passing through the switch.

Ensure that the device is powered up with a supply voltage on VCC before a voltage can be applied to the signal paths NC and NO.

Typical Application (continued)

9.2.3 Application Curve

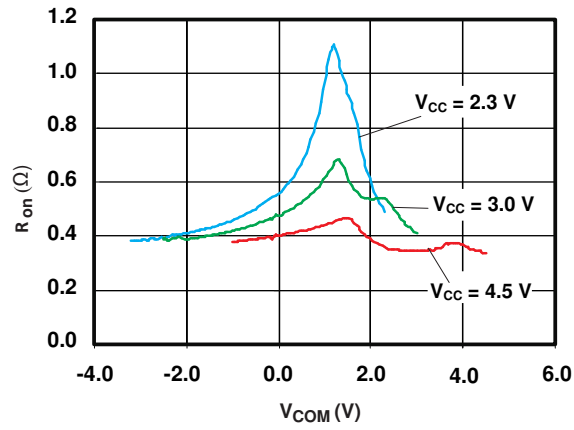


Figure 25. R_{on} vs V_{COM}

10 Power Supply Recommendations

The TS5A22362 operates from a single 2.3-V to 5.5-V supply. The device must be powered up with a supply voltage on VCC before a voltage can be applied to the signal paths NC and NO. It is recommended to include a 100- μ s delay after VCC is at voltage before applying a signal on NC and NO paths

It is also good practice to place a 0.1- μ F bypass capacitor on the supply pin VCC to GND to smooth out lower frequency noise to provide better load regulation across the frequency spectrum.

11 Layout

11.1 Layout Guidelines

TI recommends placing a bypass capacitor as close to the supply pin VCC as possible to help smooth out lower frequency noise to provide better load regulation across the frequency spectrum.

Minimize trace lengths and vias on the signal paths in order to preserve signal integrity.

11.2 Layout Example

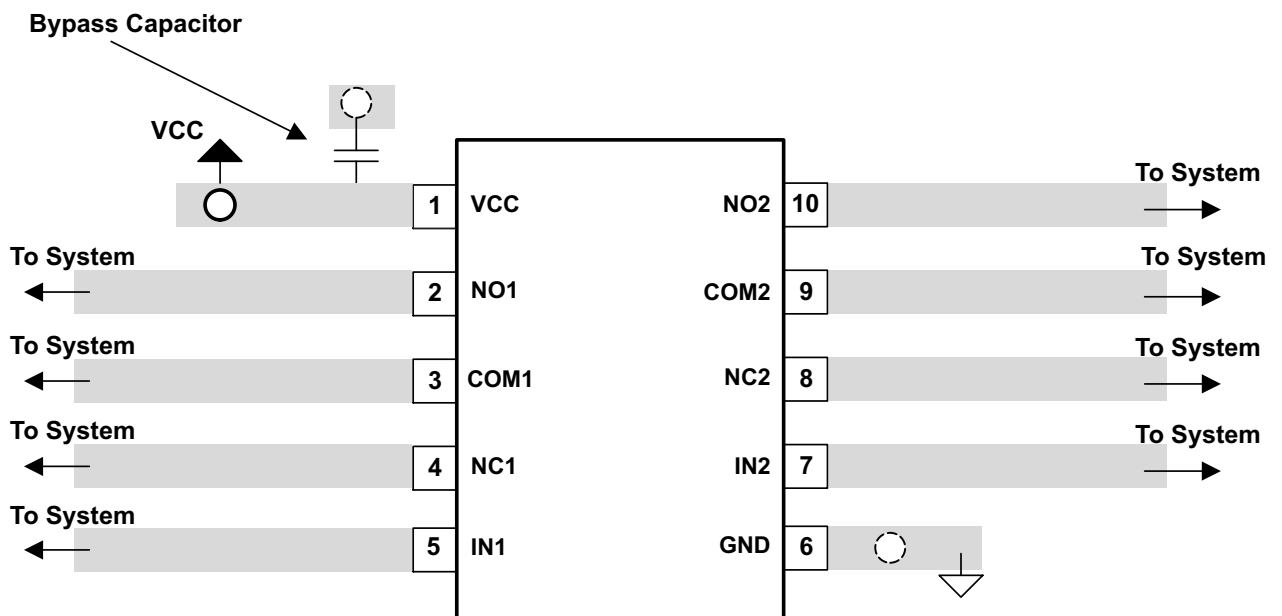
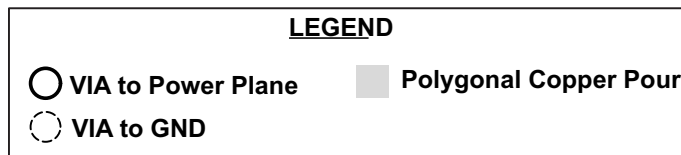


Figure 26. Layout example of TS5A22362

12 Device and Documentation Support

12.1 Receiving Notification of Documentation Updates

To receive notification of documentation updates, navigate to the device product folder on ti.com. In the upper right corner, click on *Alert me* to register and receive a weekly digest of any product information that has changed. For change details, review the revision history included in any revised document.

12.2 Community Resources

TI E2E™ [support forums](#) are an engineer's go-to source for fast, verified answers and design help — straight from the experts. Search existing answers or ask your own question to get the quick design help you need.

Linked content is provided "AS IS" by the respective contributors. They do not constitute TI specifications and do not necessarily reflect TI's views; see TI's [Terms of Use](#).

12.3 Trademarks

E2E is a trademark of Texas Instruments.
All other trademarks are the property of their respective owners.

12.4 Electrostatic Discharge Caution



These devices have limited built-in ESD protection. The leads should be shorted together or the device placed in conductive foam during storage or handling to prevent electrostatic damage to the MOS gates.

12.5 Glossary

[SLYZ022](#) — *TI Glossary*.

This glossary lists and explains terms, acronyms, and definitions.

13 Mechanical, Packaging, and Orderable Information

The following pages include mechanical, packaging, and orderable information. This information is the most current data available for the designated devices. This data is subject to change without notice and revision of this document. For browser-based versions of this data sheet, refer to the left-hand navigation.

PACKAGING INFORMATION

| Orderable Device | Status (1) | Package Type | Package Drawing | Pins | Package Qty | Eco Plan (2) | Lead finish/ Ball material (6) | MSL Peak Temp (3) | Op Temp (°C) | Device Marking (4/5) | Samples |
|------------------|---------------|--------------|-----------------|------|-------------|-----------------|--------------------------------------|----------------------|--------------|-------------------------|-------------------------|
| TS5A22362DGSR | ACTIVE | VSSOP | DGS | 10 | 2500 | RoHS & Green | NIPDAU | Level-1-260C-UNLIM | -40 to 85 | 39R | Samples |
| TS5A22362DGSRG4 | LIFEBUY | VSSOP | DGS | 10 | 2500 | RoHS & Green | NIPDAU | Level-1-260C-UNLIM | -40 to 85 | 39R | |
| TS5A22362DRCR | ACTIVE | VSON | DRC | 10 | 3000 | RoHS & Green | NIPDAU | Level-2-260C-1 YEAR | -40 to 85 | ZVG | Samples |
| TS5A22362DRCT-NM | LIFEBUY | VSON | DRC | 10 | 250 | RoHS & Green | Call TI | Level-2-260C-1 YEAR | -40 to 85 | ZVGNM | |
| TS5A22362YZPR | ACTIVE | DSBGA | YZP | 10 | 3000 | RoHS & Green | SNAGCU | Level-1-260C-UNLIM | -40 to 85 | (39, 392) | Samples |

(1) The marketing status values are defined as follows:

ACTIVE: Product device recommended for new designs.

LIFEBUY: TI has announced that the device will be discontinued, and a lifetime-buy period is in effect.

NRND: Not recommended for new designs. Device is in production to support existing customers, but TI does not recommend using this part in a new design.

PREVIEW: Device has been announced but is not in production. Samples may or may not be available.

OBSELETE: TI has discontinued the production of the device.

(2) **RoHS:** TI defines "RoHS" to mean semiconductor products that are compliant with the current EU RoHS requirements for all 10 RoHS substances, including the requirement that RoHS substance do not exceed 0.1% by weight in homogeneous materials. Where designed to be soldered at high temperatures, "RoHS" products are suitable for use in specified lead-free processes. TI may reference these types of products as "Pb-Free".

RoHS Exempt: TI defines "RoHS Exempt" to mean products that contain lead but are compliant with EU RoHS pursuant to a specific EU RoHS exemption.

Green: TI defines "Green" to mean the content of Chlorine (Cl) and Bromine (Br) based flame retardants meet JS709B low halogen requirements of <=1000ppm threshold. Antimony trioxide based flame retardants must also meet the <=1000ppm threshold requirement.

(3) MSL, Peak Temp. - The Moisture Sensitivity Level rating according to the JEDEC industry standard classifications, and peak solder temperature.

(4) There may be additional marking, which relates to the logo, the lot trace code information, or the environmental category on the device.

(5) Multiple Device Markings will be inside parentheses. Only one Device Marking contained in parentheses and separated by a "~" will appear on a device. If a line is indented then it is a continuation of the previous line and the two combined represent the entire Device Marking for that device.

(6) Lead finish/Ball material - Orderable Devices may have multiple material finish options. Finish options are separated by a vertical ruled line. Lead finish/Ball material values may wrap to two lines if the finish value exceeds the maximum column width.

Important Information and Disclaimer:The information provided on this page represents TI's knowledge and belief as of the date that it is provided. TI bases its knowledge and belief on information provided by third parties, and makes no representation or warranty as to the accuracy of such information. Efforts are underway to better integrate information from third parties. TI has taken and

continues to take reasonable steps to provide representative and accurate information but may not have conducted destructive testing or chemical analysis on incoming materials and chemicals. TI and TI suppliers consider certain information to be proprietary, and thus CAS numbers and other limited information may not be available for release.

In no event shall TI's liability arising out of such information exceed the total purchase price of the TI part(s) at issue in this document sold by TI to Customer on an annual basis.

TAPE AND REEL INFORMATION

QUADRANT ASSIGNMENTS FOR PIN 1 ORIENTATION IN TAPE


*All dimensions are nominal

| Device | Package Type | Package Drawing | Pins | SPQ | Reel Diameter (mm) | Reel Width W1 (mm) | A0 (mm) | B0 (mm) | K0 (mm) | P1 (mm) | W (mm) | Pin1 Quadrant |
|------------------|--------------|-----------------|------|------|--------------------|--------------------|---------|---------|---------|---------|--------|---------------|
| TS5A22362DGSR | VSSOP | DGS | 10 | 2500 | 330.0 | 12.4 | 5.3 | 3.4 | 1.4 | 8.0 | 12.0 | Q1 |
| TS5A22362DRCR | VSON | DRC | 10 | 3000 | 330.0 | 12.4 | 3.3 | 3.3 | 1.1 | 8.0 | 12.0 | Q2 |
| TS5A22362DRCT-NM | VSON | DRC | 10 | 250 | 180.0 | 12.4 | 3.3 | 3.3 | 1.1 | 8.0 | 12.0 | Q2 |
| TS5A22362YZPR | DSBGA | YZP | 10 | 3000 | 178.0 | 9.2 | 1.49 | 1.99 | 0.63 | 4.0 | 8.0 | Q2 |

TAPE AND REEL BOX DIMENSIONS


*All dimensions are nominal

| Device | Package Type | Package Drawing | Pins | SPQ | Length (mm) | Width (mm) | Height (mm) |
|------------------|--------------|-----------------|------|------|-------------|------------|-------------|
| TS5A22362DGSR | VSSOP | DGS | 10 | 2500 | 358.0 | 335.0 | 35.0 |
| TS5A22362DRCR | VSON | DRC | 10 | 3000 | 356.0 | 356.0 | 35.0 |
| TS5A22362DRCT-NM | VSON | DRC | 10 | 250 | 210.0 | 185.0 | 35.0 |
| TS5A22362YZPR | DSBGA | YZP | 10 | 3000 | 220.0 | 220.0 | 35.0 |

DGS0010A



PACKAGE OUTLINE

VSSOP - 1.1 mm max height

SMALL OUTLINE PACKAGE



4221984/A 05/2015

NOTES:

1. All linear dimensions are in millimeters. Any dimensions in parenthesis are for reference only. Dimensioning and tolerancing per ASME Y14.5M.
2. This drawing is subject to change without notice.
3. This dimension does not include mold flash, protrusions, or gate burrs. Mold flash, protrusions, or gate burrs shall not exceed 0.15 mm per side.
4. This dimension does not include interlead flash. Interlead flash shall not exceed 0.25 mm per side.
5. Reference JEDEC registration MO-187, variation BA.

EXAMPLE BOARD LAYOUT

DGS0010A

VSSOP - 1.1 mm max height

SMALL OUTLINE PACKAGE



LAND PATTERN EXAMPLE
SCALE:10X



SOLDER MASK DETAILS
NOT TO SCALE

4221984/A 05/2015

NOTES: (continued)

- 6. Publication IPC-7351 may have alternate designs.
- 7. Solder mask tolerances between and around signal pads can vary based on board fabrication site.

EXAMPLE STENCIL DESIGN

DGS0010A

VSSOP - 1.1 mm max height

SMALL OUTLINE PACKAGE



SOLDER PASTE EXAMPLE
BASED ON 0.125 mm THICK STENCIL
SCALE:10X

4221984/A 05/2015

NOTES: (continued)

8. Laser cutting apertures with trapezoidal walls and rounded corners may offer better paste release. IPC-7525 may have alternate design recommendations.
9. Board assembly site may have different recommendations for stencil design.

GENERIC PACKAGE VIEW

DRC 10

VSON - 1 mm max height

3 x 3, 0.5 mm pitch

PLASTIC SMALL OUTLINE - NO LEAD

This image is a representation of the package family, actual package may vary.
Refer to the product data sheet for package details.



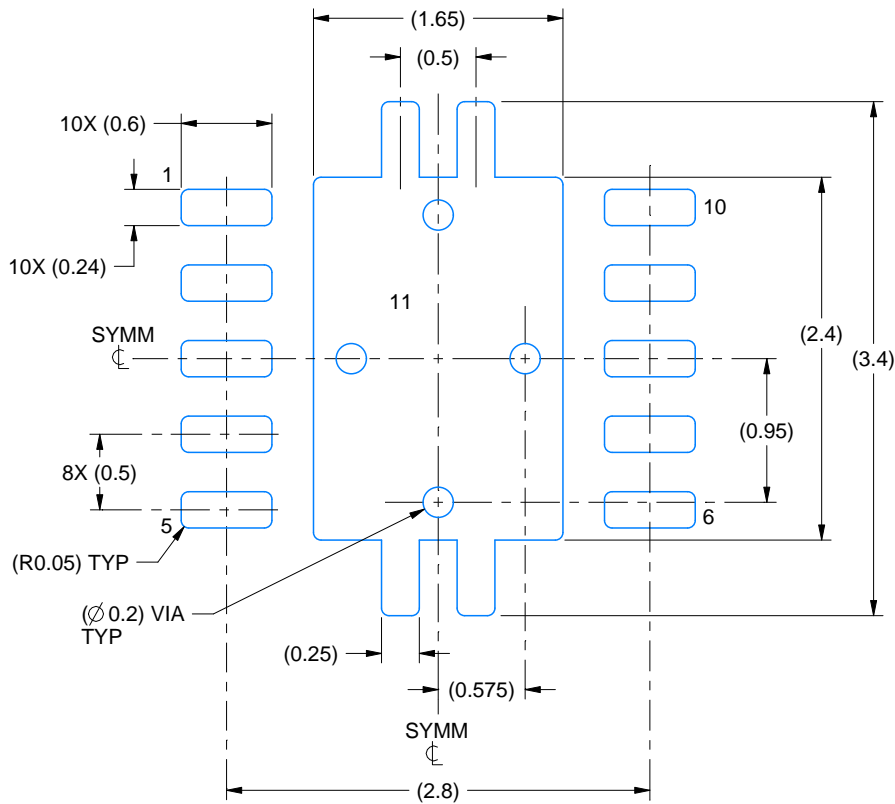
4226193/A

EXAMPLE BOARD LAYOUT

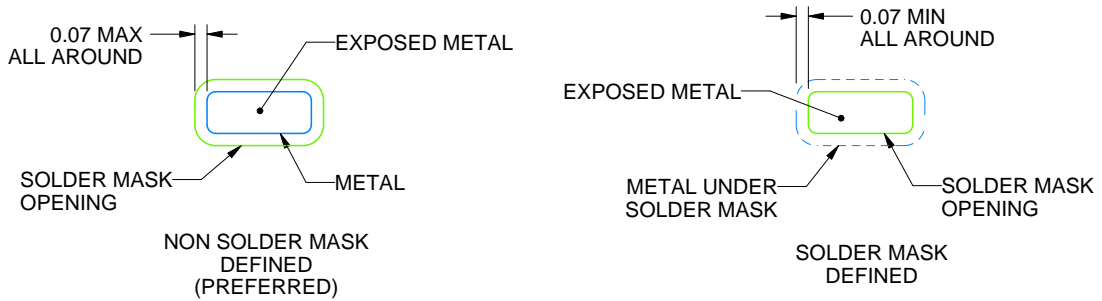
DRC0010J

VSON - 1 mm max height

PLASTIC SMALL OUTLINE - NO LEAD



LAND PATTERN EXAMPLE
EXPOSED METAL SHOWN
SCALE:20X



SOLDER MASK DETAILS

4218878/B 07/2018

NOTES: (continued)

4. This package is designed to be soldered to a thermal pad on the board. For more information, see Texas Instruments literature number SLUA271 (www.ti.com/lit/sluea271).
5. Vias are optional depending on application, refer to device data sheet. If any vias are implemented, refer to their locations shown on this view. It is recommended that vias under paste be filled, plugged or tented.

EXAMPLE STENCIL DESIGN

DRC0010J

VSON - 1 mm max height

PLASTIC SMALL OUTLINE - NO LEAD



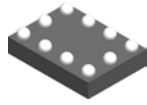
SOLDER PASTE EXAMPLE
BASED ON 0.125 mm THICK STENCIL

EXPOSED PAD 11:
80% PRINTED SOLDER COVERAGE BY AREA
SCALE:25X

4218878/B 07/2018

NOTES: (continued)

6. Laser cutting apertures with trapezoidal walls and rounded corners may offer better paste release. IPC-7525 may have alternate design recommendations.

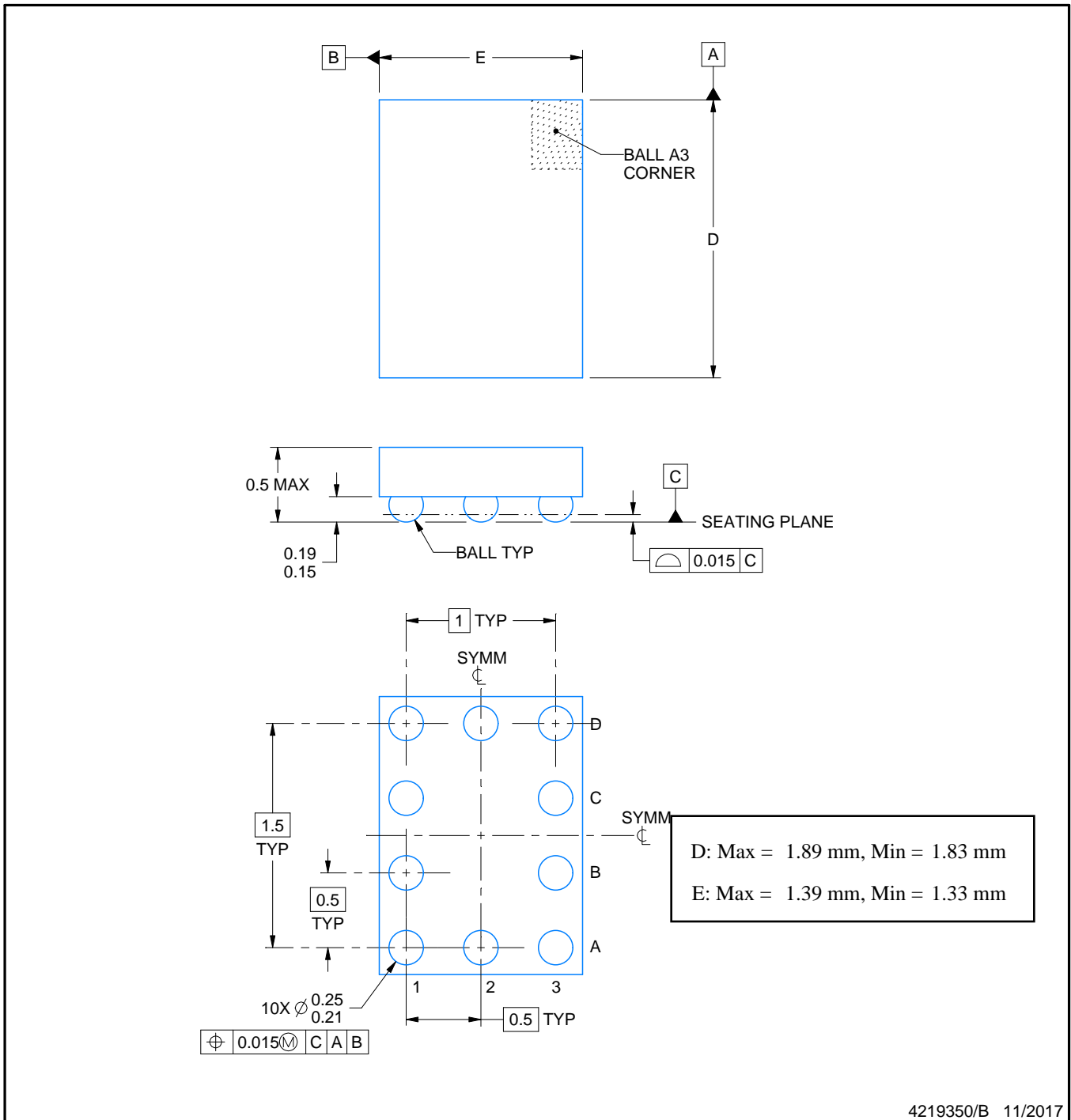


PACKAGE OUTLINE

YZP0010

DSBGA - 0.5 mm max height

DIE SIZE BALL GRID ARRAY



NOTES:

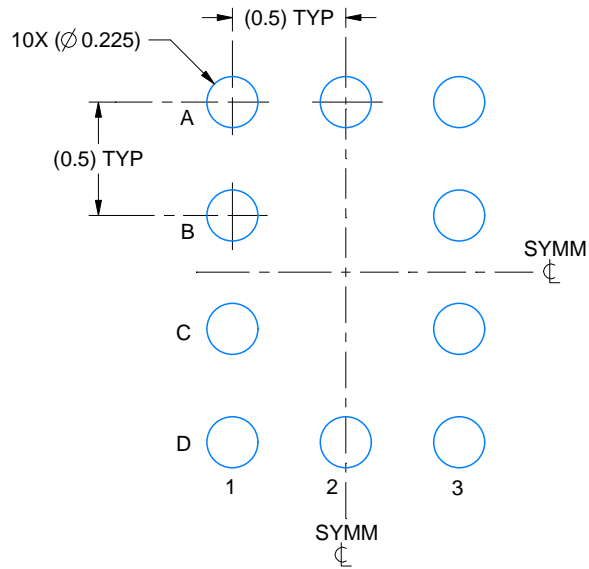
1. All linear dimensions are in millimeters. Any dimensions in parenthesis are for reference only. Dimensioning and tolerancing per ASME Y14.5M.
2. This drawing is subject to change without notice.

EXAMPLE BOARD LAYOUT

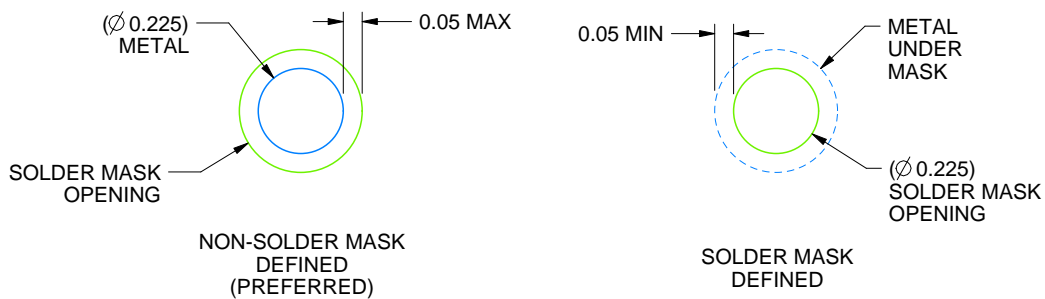
YZP0010

DSBGA - 0.5 mm max height

DIE SIZE BALL GRID ARRAY



LAND PATTERN EXAMPLE
SCALE:30X



SOLDER MASK DETAILS
NOT TO SCALE

4219350/B 11/2017

NOTES: (continued)

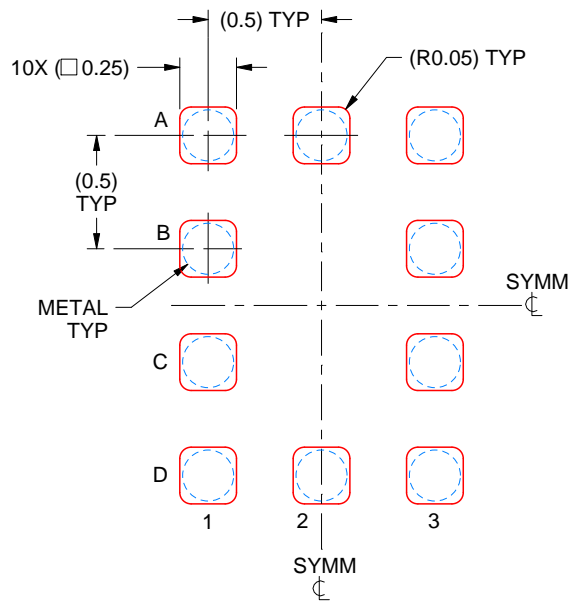
- Final dimensions may vary due to manufacturing tolerance considerations and also routing constraints. For more information, see Texas Instruments literature number SBVA017 (www.ti.com/lit/sbva017).

EXAMPLE STENCIL DESIGN

YZP0010

DSBGA - 0.5 mm max height

DIE SIZE BALL GRID ARRAY



SOLDER PASTE EXAMPLE
BASED ON 0.1 mm THICK STENCIL
SCALE:30X

4219350/B 11/2017

NOTES: (continued)

4. Laser cutting apertures with trapezoidal walls and rounded corners may offer better paste release.

IMPORTANT NOTICE AND DISCLAIMER

TI PROVIDES TECHNICAL AND RELIABILITY DATA (INCLUDING DATA SHEETS), DESIGN RESOURCES (INCLUDING REFERENCE DESIGNS), APPLICATION OR OTHER DESIGN ADVICE, WEB TOOLS, SAFETY INFORMATION, AND OTHER RESOURCES "AS IS" AND WITH ALL FAULTS, AND DISCLAIMS ALL WARRANTIES, EXPRESS AND IMPLIED, INCLUDING WITHOUT LIMITATION ANY IMPLIED WARRANTIES OF MERCHANTABILITY, FITNESS FOR A PARTICULAR PURPOSE OR NON-INFRINGEMENT OF THIRD PARTY INTELLECTUAL PROPERTY RIGHTS.

These resources are intended for skilled developers designing with TI products. You are solely responsible for (1) selecting the appropriate TI products for your application, (2) designing, validating and testing your application, and (3) ensuring your application meets applicable standards, and any other safety, security, regulatory or other requirements.

These resources are subject to change without notice. TI grants you permission to use these resources only for development of an application that uses the TI products described in the resource. Other reproduction and display of these resources is prohibited. No license is granted to any other TI intellectual property right or to any third party intellectual property right. TI disclaims responsibility for, and you will fully indemnify TI and its representatives against, any claims, damages, costs, losses, and liabilities arising out of your use of these resources.

TI's products are provided subject to [TI's Terms of Sale](#) or other applicable terms available either on [ti.com](https://www.ti.com) or provided in conjunction with such TI products. TI's provision of these resources does not expand or otherwise alter TI's applicable warranties or warranty disclaimers for TI products.

TI objects to and rejects any additional or different terms you may have proposed.

Mailing Address: Texas Instruments, Post Office Box 655303, Dallas, Texas 75265
Copyright © 2024, Texas Instruments Incorporated