

# TSM24CA-Q1 $\pm 24$ V Low Capacitance Surge Diode for Automotive Networks in SOT-23 Package

## 1 Features

- Protection against 1 kV, 42  $\Omega$  IEC 61000-4-5 surges for automotive signal lines
- Robust surge protection:
  - IEC 61000-4-5 (8/20  $\mu$ s): 30 A
- Low clamping voltage of 40 V at 24 A for 8/20  $\mu$ s surge current protects downstream components
- Bidirectional polarity to support positive and negative voltage swings and miswiring conditions
- $\pm 24$  V working voltage for protecting signals on 12-V systems
- Low I/O Capacitance: 12 pF (typical)
- Low leakage current of 75 nA (max)
- Integrated IEC 61000-4-2 ESD protection
  - $\pm 30$ -kV contact discharge
  - $\pm 30$ -kV air-gap discharge
- Small SOT-23 leaded package to minimize board space and allow for automatic optical inspection (AOI)

## 2 Applications

- [Automotive hybrid, electric, and power train systems](#)
- [HEV/EV on-board charger](#)
- EV battery charging communication
  - CHAdeMO
  - CCS
  - GB/T
- [Automotive in-vehicle networks](#)
  - Controller area network (CAN)
  - Local interconnect network (LIN)
- 24-V power lines or digital input or output lines

## 3 Description

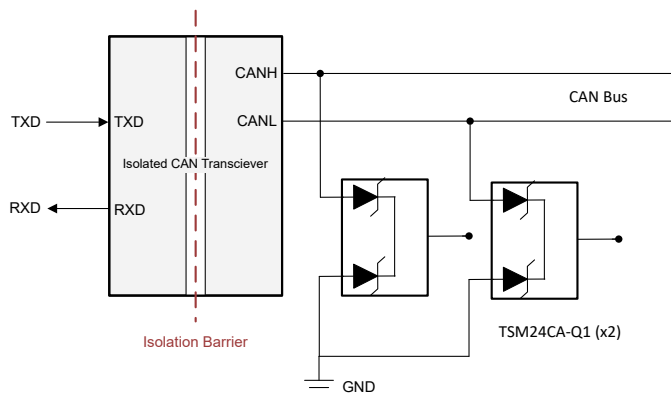
The TSM24CA-Q1 is a low-capacitance TVS diode and is part of TI's surge protection device family. The TSM24CA-Q1 robustly shunts up to 30 A of IEC 61000-4-5 (8/20  $\mu$ s) fault current to protect systems from high power transients or lightning strikes. The device offers a solution to the common industrial signal line EMC requirement to survive up to 1 kV IEC 61000-4-5 open circuit voltage coupled through a 42  $\Omega$  impedance, clamping that surge at 40 V ( $I_{PP} = 24$  A). The TSM24CA-Q1 also has a very low line capacitance of 12 pF which allows it to protect common automotive communication networks like CAN from surges in EV charging applications.

Additionally, the TSM24CA-Q1 is available in a small leaded SOT-23 (DBZ) package which is reduced in size by approximately 50 percent compared to the industry standard SMA package. The extremely low device leakage and capacitance provide a minimal effect on the protected line.

### Package Information

PART NUMBER	PACKAGE <sup>(1)</sup>	PACKAGE SIZE <sup>(2)</sup>
TSM24CA-Q1	DBZ (SOT-23, 3)	2.92 mm $\times$ 2.37 mm

- (1) For all available packages, see the orderable addendum at the end of the data sheet.
- (2) The package size (length  $\times$  width) is a nominal value and includes pins, where applicable.



**EV Charging CAN Bus Application**



## Table of Contents

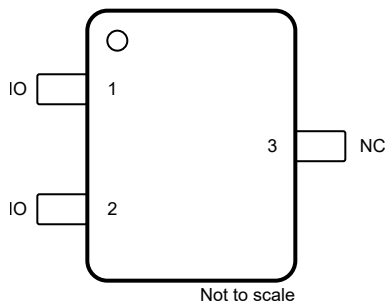
<b>1 Features</b> .....	1	6.7 Electrical Characteristics.....	5
<b>2 Applications</b> .....	1	6.8 Typical Characteristics.....	6
<b>3 Description</b> .....	1	<b>7 Application and Implementation</b> .....	7
<b>4 Revision History</b> .....	2	7.1 Application Information.....	7
<b>5 Pin Configuration and Functions</b> .....	3	<b>8 Device and Documentation Support</b> .....	8
<b>6 Specifications</b> .....	4	8.1 Documentation Support.....	8
6.1 Absolute Maximum Ratings.....	4	8.2 Receiving Notification of Documentation Updates.....	8
6.2 ESD Ratings - AEC Specifications.....	4	8.3 Support Resources.....	8
6.3 ESD Ratings - IEC Specifications.....	4	8.4 Trademarks.....	8
6.4 ESD Ratings - ISO Specifications.....	4	8.5 Electrostatic Discharge Caution.....	8
6.5 Recommended Operating Conditions.....	4	8.6 Glossary.....	8
6.6 Thermal Information.....	5	<b>9 Mechanical, Packaging, and Orderable Information</b> .....	8

## 4 Revision History

NOTE: Page numbers for previous revisions may differ from page numbers in the current version.

<b>Changes from Revision A (September 2023) to Revision B (October 2023)</b>	<b>Page</b>
• Changed the status of the data sheet from: <i>Advanced Information</i> to: <i>Production Data</i> .....	1

## 5 Pin Configuration and Functions



**Figure 5-1. DBZ Package, 3-Pin SOT-23 (Top View)**

**Table 5-1. Pin Functions**

PIN		TYPE <sup>(1)</sup>	DESCRIPTION
NAME	NO.		
IO	1,2	I/O	Surge and ESD protected IO. Connect other pin to ground.
NC	3	NC	Leave this pin floating for proper performance.

(1) I = Input, O = Output, I/O = Input or Output, NC = No connect

## 6 Specifications

### 6.1 Absolute Maximum Ratings

over operating free-air temperature range (unless otherwise noted)<sup>(1)</sup>

Parameter		MIN	MAX	UNIT
P <sub>PPM</sub>	IEC 61000-4-5 Surge (t <sub>p</sub> = 8/20 μs) Peak Pulse Power at 25 °C <sup>(2)</sup>		1200	W
I <sub>PPM</sub>	IEC 61000-4-5 Surge (t <sub>p</sub> = 8/20 μs) Peak Pulse Current at 25 °C <sup>(2)</sup>		30	A
T <sub>A</sub>	Operating free-air temperature	-55	150	°C
T <sub>stg</sub>	Storage temperature	-65	155	°C

- Operation outside the *Absolute Maximum Ratings* may cause permanent device damage. Absolute maximum ratings do not imply functional operation of the device at these or any other conditions beyond those listed under *Recommended Operating Conditions*. If briefly operating outside the *Recommended Operating Conditions* but within the *Absolute Maximum Ratings*, the device may not sustain damage, but it may not be fully functional. Operating the device in this manner may affect device reliability, functionality, performance, and shorten the device lifetime.
- Voltages are with respect to GND unless otherwise noted.

### 6.2 ESD Ratings - AEC Specifications

Parameter		Test Conditions	VALUE	UNIT
V <sub>(ESD)</sub>	Electrostatic discharge	Human body model (HBM), per AEC Q101-001 <sup>(1)</sup>	±2500	V
		Charged device model (CDM), per AEC Q101-005 <sup>(2)</sup>	±1000	

- JEDEC document JEP155 states that 500-V HBM allows safe manufacturing with a standard ESD control process.
- JEDEC document JEP157 states that 250-V CDM allows safe manufacturing with a standard ESD control process.

### 6.3 ESD Ratings - IEC Specifications

Parameter		Test Conditions	VALUE	UNIT
V <sub>(ESD)</sub>	Electrostatic discharge	IEC 61000-4-2 Contact Discharge, all pins	±30000	V
		IEC 61000-4-2 Air Discharge, all pins	±30000	

### 6.4 ESD Ratings - ISO Specifications

Parameter		Test Conditions		VALUE	UNIT
V <sub>(ESD)</sub>	ISO 10605 Electrostatic Discharge	C = 150 pF; R = 330 Ω	Contact Discharge, all pins	±30000	V
			Air-gap Discharge, all pins	±30000	
		C = 330 pF; R = 330 Ω	Contact Discharge, all pins	±30000	
			Air-gap Discharge, all pins	±30000	

### 6.5 Recommended Operating Conditions

over operating free-air temperature range (unless otherwise noted)

		MIN	NOM	MAX	UNIT
V <sub>IN</sub>	Input voltage	-24		24	V
T <sub>A</sub>	Operating Free Air Temperature	-55		150	°C

## 6.6 Thermal Information

THERMAL METRIC <sup>(1)</sup>		TSM24CA	UNIT
		DBZ (SOT-23)	
		3 PINS	
$R_{\theta JA}$	Junction-to-ambient thermal resistance	203.8	°C/W
$R_{\theta JC(top)}$	Junction-to-case (top) thermal resistance	104.1	°C/W
$R_{\theta JB}$	Junction-to-board thermal resistance	39.4	°C/W
$\Psi_{JT}$	Junction-to-top characterization parameter	8.7	°C/W
$\Psi_{JB}$	Junction-to-board characterization parameter	38.9	°C/W
$R_{\theta JC(bot)}$	Junction-to-case (bottom) thermal resistance	NA	°C/W

(1) For more information about traditional and new thermal metrics, see the [Semiconductor and IC Package Thermal Metrics](#) application report.

## 6.7 Electrical Characteristics

At  $T_A = 25^\circ\text{C}$  unless otherwise noted

PARAMETER		TEST CONDITIONS	MIN	TYP	MAX	UNIT
$V_{RWM}$	Reverse stand-off voltage	$I_{IO} < 100 \text{ nA}$	-24		24	V
$I_{LEAK}$	Leakage current at $V_{RWM}$	$V_{IO} = 24 \text{ V}$ , I/O to GND and GND to I/O		25	75	nA
$V_{BR}$	Breakdown voltage, I/O to GND and GND to I/O <sup>(1)</sup>	$I_{IO} = 10 \text{ mA}$	25.5			V
$V_{CLAMP}$	Surge clamping voltage, $t_p = 8/20 \mu\text{s}$ <sup>(3)</sup>	$I_{PP} = 24\text{A}$ , I/O to GND and GND to I/O		40		V
$C_{LINE}$	Line capacitance, IO to GND	$V_{IO} = 0 \text{ V}$ , $f = 1 \text{ MHz}$		12		pF

- (1)  $V_{BR}$  is defined as the voltage obtained at 10 mA when sweeping the voltage up, before the device latches into the snapback state  
(2) Device stressed with 8/20  $\mu\text{s}$  exponential decay waveform according to IEC 61000-4-5

## 6.8 Typical Characteristics

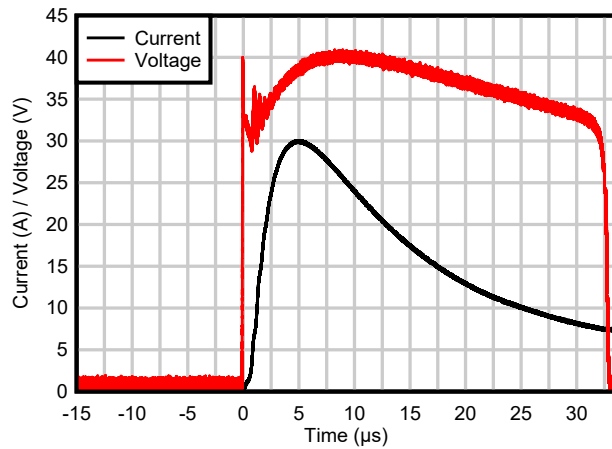


Figure 6-1. 8/20  $\mu$ s Surge Response

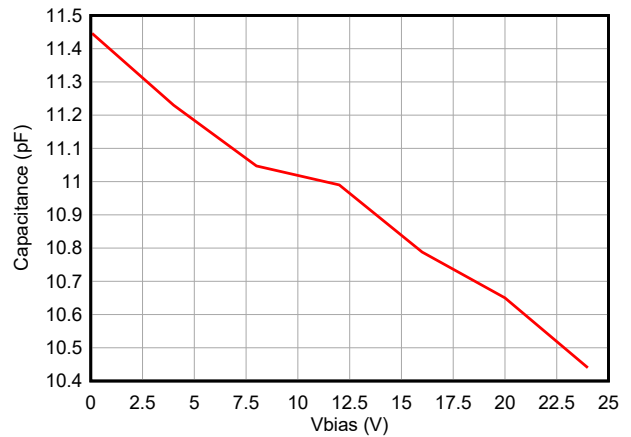


Figure 6-2. Capacitance vs Bias Voltage

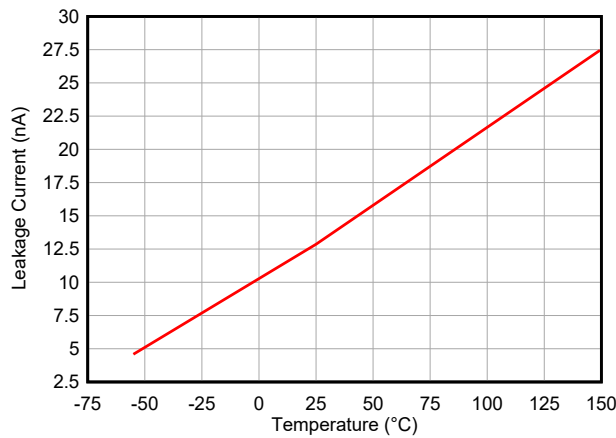


Figure 6-3. Leakage vs Temperature

## 7 Application and Implementation

---

### Note

Information in the following applications sections is not part of the TI component specification, and TI does not warrant its accuracy or completeness. TI's customers are responsible for determining suitability of components for their purposes, as well as validating and testing their design implementation to confirm system functionality.

---

### 7.1 Application Information

The TSM24CA-Q1 is a TVS diode which provides a path to ground for dissipating transient voltage spikes, such as ESD or surge, on signal lines and power lines. Connect the device in parallel to the down stream circuitry for protection. As the current from the transient passes through the TVS, only a small voltage drop is present across the diode. The small voltage drop is presented to the protected IC. The low  $R_{DYN}$  of the triggered TVS holds this voltage ( $V_{CLAMP}$ ) to a safe level for the protected IC. For more information on how to properly use this device, refer to the [ESD Packaging and Layout Guide](#).

## 8 Device and Documentation Support

### 8.1 Documentation Support

#### 8.1.1 Related Documentation

For related documentation, see the following:

- Texas Instruments, [TI's IEC 61000-4-x Testing application note](#)
- Texas Instruments, [ESD Layout Guide user's guide](#)
- Texas Instruments, [ESD Protection Diodes EVM user's guide](#)
- Texas Instruments, [Generic ESD Evaluation Module user's guide](#)
- Texas Instruments, [Reading and Understanding an ESD Protection Data Sheet user's guide](#)

#### 8.2 Receiving Notification of Documentation Updates

To receive notification of documentation updates, navigate to the device product folder on [ti.com](#). Click on *Notifications* to register and receive a weekly digest of any product information that has changed. For change details, review the revision history included in any revised document.

#### 8.3 Support Resources

[TI E2E™ support forums](#) are an engineer's go-to source for fast, verified answers and design help — straight from the experts. Search existing answers or ask your own question to get the quick design help you need.

Linked content is provided "AS IS" by the respective contributors. They do not constitute TI specifications and do not necessarily reflect TI's views; see TI's [Terms of Use](#).

#### 8.4 Trademarks

TI E2E™ is a trademark of Texas Instruments.

All trademarks are the property of their respective owners.

#### 8.5 Electrostatic Discharge Caution



This integrated circuit can be damaged by ESD. Texas Instruments recommends that all integrated circuits be handled with appropriate precautions. Failure to observe proper handling and installation procedures can cause damage.

ESD damage can range from subtle performance degradation to complete device failure. Precision integrated circuits may be more susceptible to damage because very small parametric changes could cause the device not to meet its published specifications.

#### 8.6 Glossary

[TI Glossary](#) This glossary lists and explains terms, acronyms, and definitions.

## 9 Mechanical, Packaging, and Orderable Information

The following pages include mechanical, packaging, and orderable information. This information is the most current data available for the designated devices. This data is subject to change without notice and revision of this document. For browser-based versions of this data sheet, refer to the left-hand navigation.



**PACKAGING INFORMATION**

Orderable Device	Status (1)	Package Type	Package Drawing	Pins	Package Qty	Eco Plan (2)	Lead finish/ Ball material (6)	MSL Peak Temp (3)	Op Temp (°C)	Device Marking (4/5)	Samples
TSM24CADBZRQ1	ACTIVE	SOT-23	DBZ	3	3000	RoHS & Green	NIPDAU	Level-1-260C-UNLIM	-55 to 150	35N8	Samples

(1) The marketing status values are defined as follows:

**ACTIVE:** Product device recommended for new designs.

**LIFEBUY:** TI has announced that the device will be discontinued, and a lifetime-buy period is in effect.

**NRND:** Not recommended for new designs. Device is in production to support existing customers, but TI does not recommend using this part in a new design.

**PREVIEW:** Device has been announced but is not in production. Samples may or may not be available.

**OBSOLETE:** TI has discontinued the production of the device.

(2) **RoHS:** TI defines "RoHS" to mean semiconductor products that are compliant with the current EU RoHS requirements for all 10 RoHS substances, including the requirement that RoHS substance do not exceed 0.1% by weight in homogeneous materials. Where designed to be soldered at high temperatures, "RoHS" products are suitable for use in specified lead-free processes. TI may reference these types of products as "Pb-Free".

**RoHS Exempt:** TI defines "RoHS Exempt" to mean products that contain lead but are compliant with EU RoHS pursuant to a specific EU RoHS exemption.

**Green:** TI defines "Green" to mean the content of Chlorine (Cl) and Bromine (Br) based flame retardants meet JS709B low halogen requirements of <=1000ppm threshold. Antimony trioxide based flame retardants must also meet the <=1000ppm threshold requirement.

(3) MSL, Peak Temp. - The Moisture Sensitivity Level rating according to the JEDEC industry standard classifications, and peak solder temperature.

(4) There may be additional marking, which relates to the logo, the lot trace code information, or the environmental category on the device.

(5) Multiple Device Markings will be inside parentheses. Only one Device Marking contained in parentheses and separated by a "~" will appear on a device. If a line is indented then it is a continuation of the previous line and the two combined represent the entire Device Marking for that device.

(6) Lead finish/Ball material - Orderable Devices may have multiple material finish options. Finish options are separated by a vertical ruled line. Lead finish/Ball material values may wrap to two lines if the finish value exceeds the maximum column width.

**Important Information and Disclaimer:** The information provided on this page represents TI's knowledge and belief as of the date that it is provided. TI bases its knowledge and belief on information provided by third parties, and makes no representation or warranty as to the accuracy of such information. Efforts are underway to better integrate information from third parties. TI has taken and continues to take reasonable steps to provide representative and accurate information but may not have conducted destructive testing or chemical analysis on incoming materials and chemicals. TI and TI suppliers consider certain information to be proprietary, and thus CAS numbers and other limited information may not be available for release.

In no event shall TI's liability arising out of such information exceed the total purchase price of the TI part(s) at issue in this document sold by TI to Customer on an annual basis.

**TAPE AND REEL INFORMATION**

**QUADRANT ASSIGNMENTS FOR PIN 1 ORIENTATION IN TAPE**


\*All dimensions are nominal

Device	Package Type	Package Drawing	Pins	SPQ	Reel Diameter (mm)	Reel Width W1 (mm)	A0 (mm)	B0 (mm)	K0 (mm)	P1 (mm)	W (mm)	Pin1 Quadrant
TSM24CADBZRQ1	SOT-23	DBZ	3	3000	180.0	8.4	2.9	3.35	1.35	4.0	8.0	Q3

**TAPE AND REEL BOX DIMENSIONS**


\*All dimensions are nominal

Device	Package Type	Package Drawing	Pins	SPQ	Length (mm)	Width (mm)	Height (mm)
TSM24CADBZRQ1	SOT-23	DBZ	3	3000	210.0	185.0	35.0

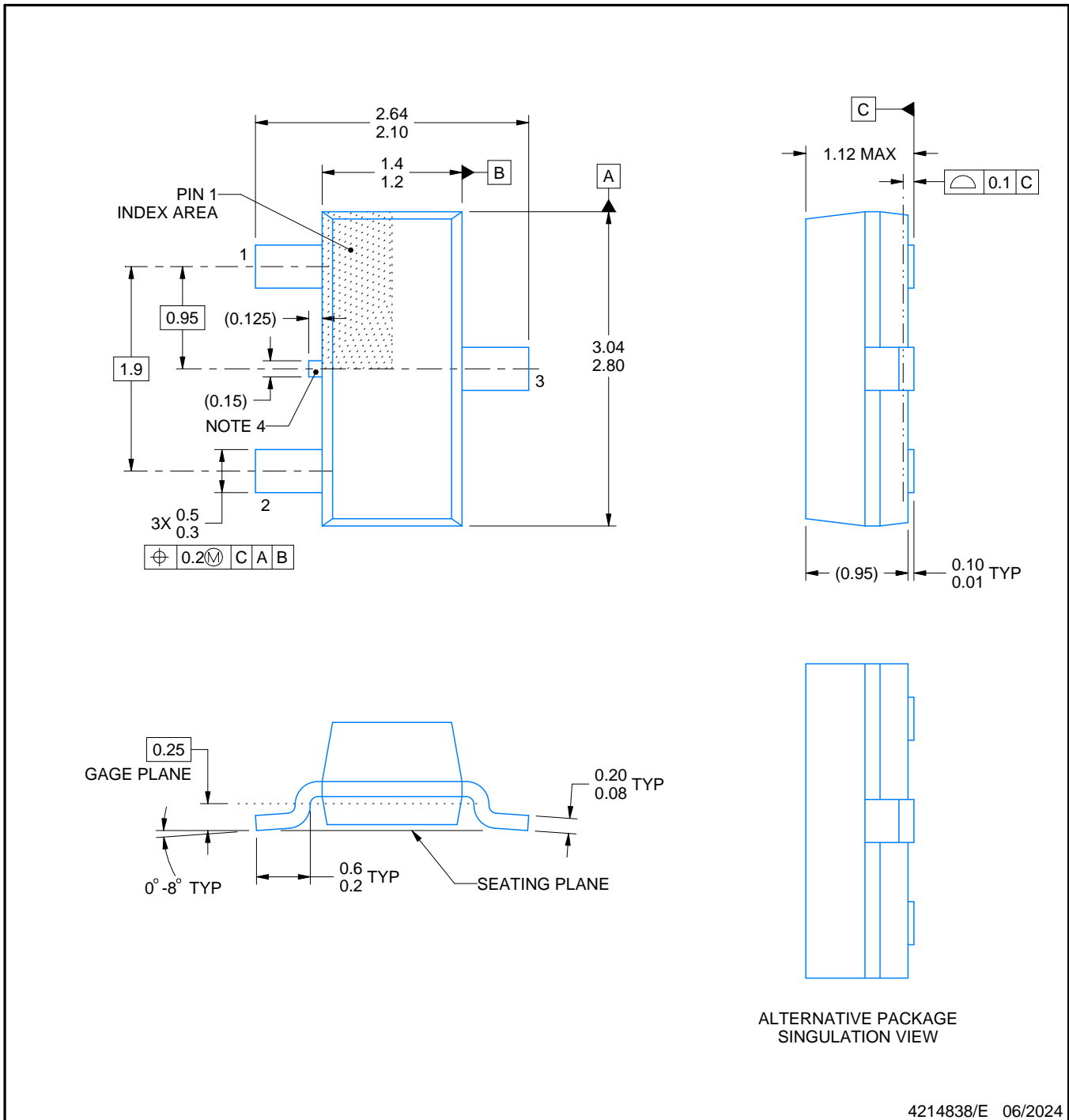
# DBZ0003A



# PACKAGE OUTLINE

SOT-23 - 1.12 mm max height

SMALL OUTLINE TRANSISTOR



4214838/E 06/2024

**NOTES:**

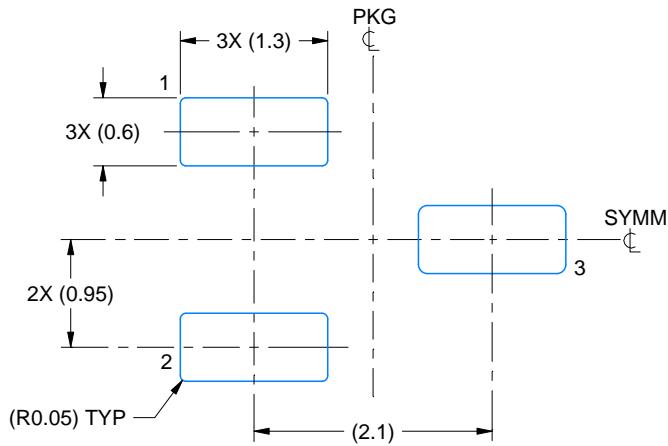
1. All linear dimensions are in millimeters. Any dimensions in parenthesis are for reference only. Dimensioning and tolerancing per ASME Y14.5M.
2. This drawing is subject to change without notice.
3. Reference JEDEC registration TO-236, except minimum foot length.
4. Support pin may differ or may not be present.
5. Body dimensions do not include mold flash, protrusions, or gate burrs. Mold flash, protrusions, or gate burrs shall not exceed 0.25mm per side

# EXAMPLE BOARD LAYOUT

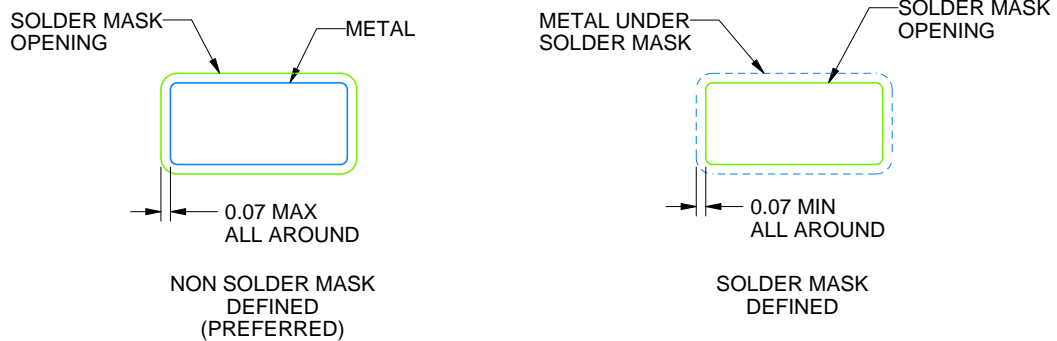
DBZ0003A

SOT-23 - 1.12 mm max height

SMALL OUTLINE TRANSISTOR



LAND PATTERN EXAMPLE  
SCALE:15X



SOLDER MASK DETAILS

4214838/E 06/2024

NOTES: (continued)

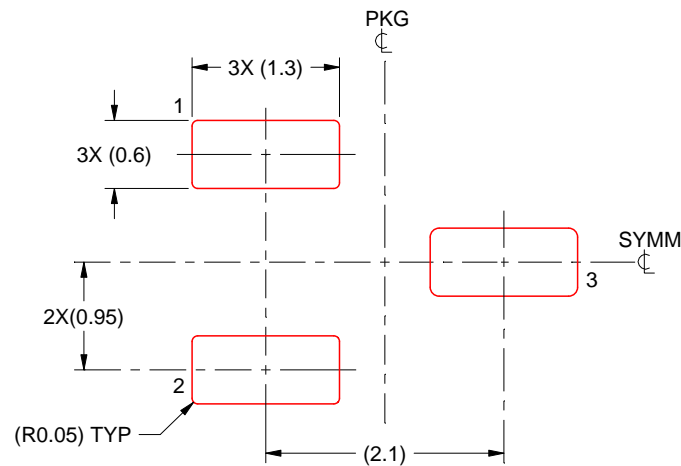
- 5. Publication IPC-7351 may have alternate designs.
- 6. Solder mask tolerances between and around signal pads can vary based on board fabrication site.

# EXAMPLE STENCIL DESIGN

DBZ0003A

SOT-23 - 1.12 mm max height

SMALL OUTLINE TRANSISTOR



SOLDER PASTE EXAMPLE  
BASED ON 0.125 THICK STENCIL  
SCALE:15X

4214838/E 06/2024

NOTES: (continued)

7. Laser cutting apertures with trapezoidal walls and rounded corners may offer better paste release. IPC-7525 may have alternate design recommendations.
8. Board assembly site may have different recommendations for stencil design.

## IMPORTANT NOTICE AND DISCLAIMER

TI PROVIDES TECHNICAL AND RELIABILITY DATA (INCLUDING DATA SHEETS), DESIGN RESOURCES (INCLUDING REFERENCE DESIGNS), APPLICATION OR OTHER DESIGN ADVICE, WEB TOOLS, SAFETY INFORMATION, AND OTHER RESOURCES "AS IS" AND WITH ALL FAULTS, AND DISCLAIMS ALL WARRANTIES, EXPRESS AND IMPLIED, INCLUDING WITHOUT LIMITATION ANY IMPLIED WARRANTIES OF MERCHANTABILITY, FITNESS FOR A PARTICULAR PURPOSE OR NON-INFRINGEMENT OF THIRD PARTY INTELLECTUAL PROPERTY RIGHTS.

These resources are intended for skilled developers designing with TI products. You are solely responsible for (1) selecting the appropriate TI products for your application, (2) designing, validating and testing your application, and (3) ensuring your application meets applicable standards, and any other safety, security, regulatory or other requirements.

These resources are subject to change without notice. TI grants you permission to use these resources only for development of an application that uses the TI products described in the resource. Other reproduction and display of these resources is prohibited. No license is granted to any other TI intellectual property right or to any third party intellectual property right. TI disclaims responsibility for, and you will fully indemnify TI and its representatives against, any claims, damages, costs, losses, and liabilities arising out of your use of these resources.

TI's products are provided subject to [TI's Terms of Sale](#) or other applicable terms available either on [ti.com](https://www.ti.com) or provided in conjunction with such TI products. TI's provision of these resources does not expand or otherwise alter TI's applicable warranties or warranty disclaimers for TI products.

TI objects to and rejects any additional or different terms you may have proposed.

Mailing Address: Texas Instruments, Post Office Box 655303, Dallas, Texas 75265  
Copyright © 2024, Texas Instruments Incorporated