

## USB 3.0 TO SATA BRIDGE

Check for Samples: [TUSB9261-Q1](#)

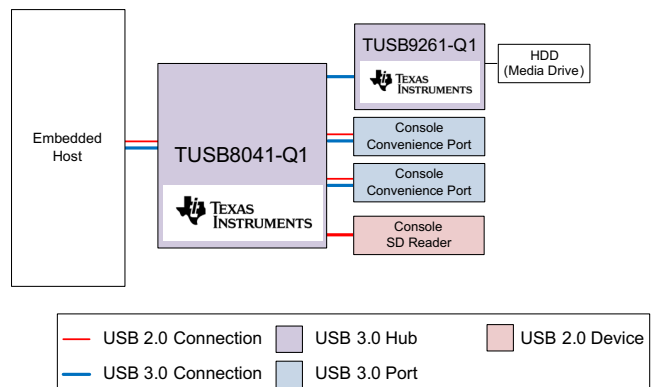
### FEATURES

- **Qualified for Automotive Applications**
- **AEC-Q100 Qualified with the Following Exceptions:**
  - Device CDM ESD Classification Level C3
- **Ideal for bridging Serial ATA (SATA) Devices, Such as Hard Disk Drives (HDD), Solid State Drives (SSD), or Optical Drives (OD) to Universal Serial Bus (USB)**
- **USB Interface**
  - Integrated Transceiver Supports SS/HS/FS Signaling
  - Best in Class Adaptive Equalizer
    - Allows for Greater Jitter Tolerance in the Receiver
  - USB Class Support
    - USB Attached SCSI Protocol (UASP) for HDD and SSD
    - USB Mass Storage Class Bulk-Only Transport (BOT) Including Support for Error Conditions Per the 13 Cases (Defined in the BOT Specification)
    - USB Bootability Support
    - USB Human Interface Device (HID)
  - Supports Firmware Update Via USB Using a TI Provided Application
- **SATA Interface**
  - Serial ATA Specification Revision 2.6 Supporting gen1 and gen2 Data Rates
  - Supports hot plug
  - Supports Mass-Storage Devices Compatible with the ATA/ATAPI-8 Specification

- **Integrated ARM Cortex M3 Core**
  - Customizable Application Code Loaded From EEPROM Via SPI Interface
  - Two Additional SPI Port Chip Selects for Peripheral Connection
  - Up to 5 GPIOs for End-User Configuration via HID
  - Serial Communications Interface for Debug (UART)
- **General Features**
  - Integrated Spread Spectrum Clock Generation Enables Operation from a Single Low Cost Crystal or Clock Oscillator
    - Supports 20, 25, 30 or 40 MHz
  - JTAG Interface for IEEE1149.1 and IEEE1149.6 Boundary Scan
  - Available in a Fully RoHS Compliant Package (PAP)

### APPLICATIONS

- Automotive
- External HDD/SSD
- External DVD
- HDD-Based Portable Media Player



Please be aware that an important notice concerning availability, standard warranty, and use in critical applications of Texas Instruments semiconductor products and disclaimers thereto appears at the end of this data sheet.

# TUSB9261-Q1

SLLSEE2A – JANUARY 2014 – REVISED JANUARY 2014

www.ti.com

## DESCRIPTION

The TUSB9261-Q1 is an ARM cortex M3 microcontroller based Universal Serial Bus (USB) 3.0 to Serial ATA (SATA) bridge. It provides the necessary hardware and firmware to implement a USB Attached SCSI Protocol (UASP) compliant mass storage device suitable for bridging SATA compatible hard disk drives (HDD) and solid state disk drives (SSD) to a USB 3.0 bus. The firmware also implements the mass storage class bulk-only transport (BOT) for bridging optical drives and other compatible SATA devices to the USB bus. In addition to UASP and BOT support, a USB human interface device (HID) interfaces is supported for control of the general purpose input/output (GPIO). The SATA interface supports gen1 (1.5-Gbps) and gen2 (3.0-Gbps) for cable lengths up to 2 meters.

The device is available in a 64-pin HTQFP package and is designed for operation over the industrial temperature range of -40°C to 85°C.

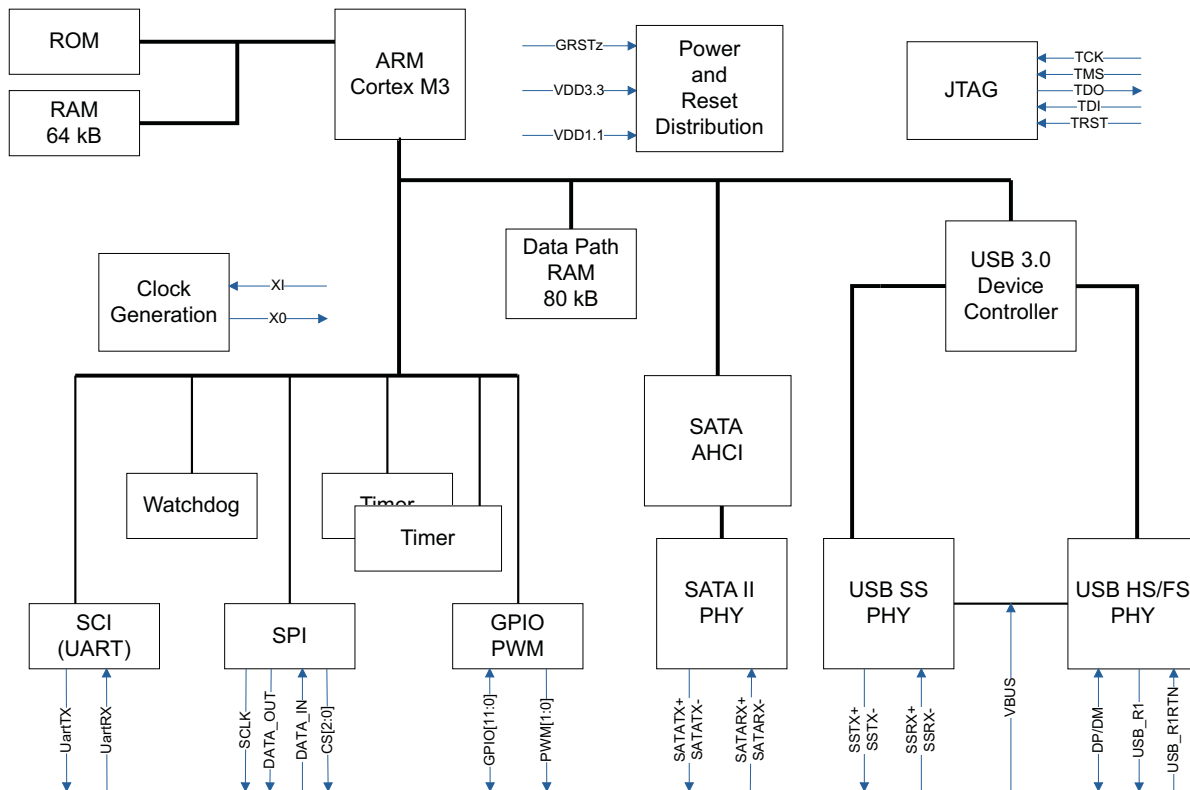


Figure 1. TUSB9261-Q1 Block Diagram



This integrated circuit can be damaged by ESD. Texas Instruments recommends that all integrated circuits be handled with appropriate precautions. Failure to observe proper handling and installation procedures can cause damage.

ESD damage can range from subtle performance degradation to complete device failure. Precision integrated circuits may be more susceptible to damage because very small parametric changes could cause the device not to meet its published specifications.

PIN ASSIGNMENTS

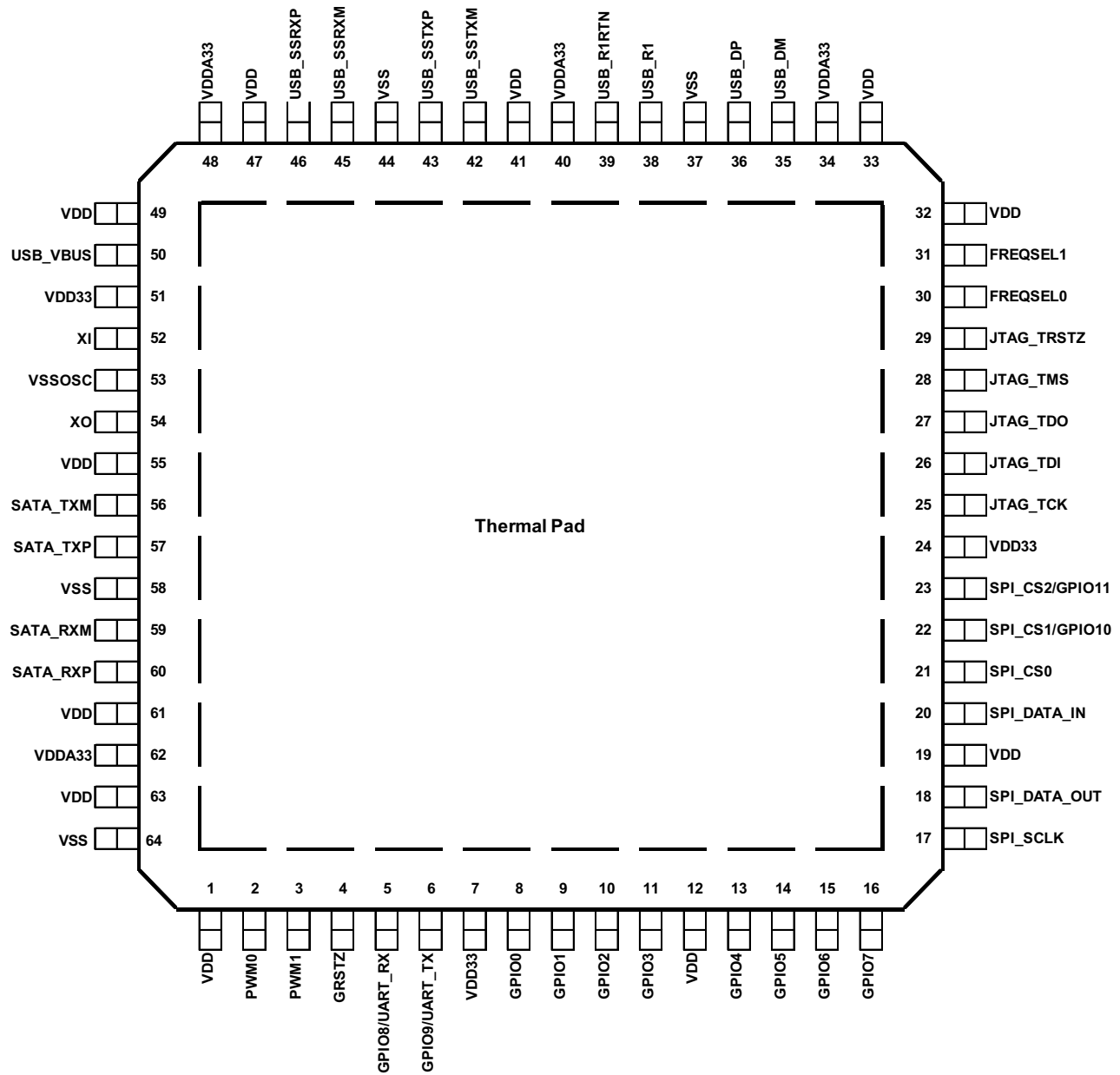


Figure 2. TUSB9261-Q1 Pin Diagram

**Table 1. I/O Definitions**

I/O TYPE	DESCRIPTION
I	Input
O	Output
I/O	Input - Output
PU	Internal pull-up resistor
PD	Internal pull-down resistor
PWR	Power signal

**Table 2. Clock and Reset Signals**

TERMINAL		I/O	DESCRIPTION		
NAME	PIN NO.				
GRSTz	4	I PU	Global power reset. This reset brings all of the TUSB9261-Q1 internal registers to their default states. When GRSTz is asserted, the device is completely nonfunctional.		
XI	52	I	Crystal input. This terminal is the crystal input for the internal oscillator. The input may alternately be driven by the output of an external oscillator. When using a crystal a 1-M $\Omega$ feedback resistor is required between X1 and XO.		
XO	54	O	Crystal output. This terminal is the crystal output for the internal oscillator. If XI is driven by an external oscillator this pin may be left unconnected. When using a crystal a 1-M $\Omega$ feedback resistor is required between X1 and XO.		
FREQSEL[1:0]	31, 30	I PU	Frequency select. These terminals indicate the oscillator input frequency and are used to configure the correct PLL multiplier. The field encoding is as follows:		
			<b>FREQSEL[1]</b>	<b>FREQSEL[0]</b>	<b>INPUT CLOCK FREQUENCY</b>
			0	0	20 MHz
			0	1	25 MHz
			1	0	30 MHz
1	1	40 MHz			

**Table 3. SATA Interface Signals<sup>(1)</sup>**

TERMINAL		I/O	DESCRIPTION
NAME	PIN NO.		
SATA_TXP	57	O	Serial ATA transmitter differential pair (positive)
SATA_TXM	56	O	Serial ATA transmitter differential pair (negative)
SATA_RXP	60	I	Serial ATA receiver differential pair (positive)
SATA_RXM	59	I	Serial ATA receiver differential pair (negative)

- (1) Note that the default firmware and reference design for the TUSB9261-Q1 have the SATA TXP/TXM swapped for ease of routing in the reference design. If you plan to use the TI default firmware please review the reference design in the TUSB9261 DEMO User's Guide (SLLU139) for proper SATA connection.

**Table 4. USB Interface Signals**

TERMINAL		I/O	DESCRIPTION
NAME	PIN NO.		
USB_SSTXP	43	O	SuperSpeed USB transmitter differential pair (positive)
USB_SSTXM	42	O	SuperSpeed USB transmitter differential pair (negative)
USB_SSRXP	46	I	SuperSpeed USB receiver differential pair (positive)
USB_SSRXM	45	I	SuperSpeed USB receiver differential pair (negative)
USB_DP	36	I/O	USB High-speed differential transceiver (positive)
USB_DM	35	I/O	USB High-speed differential transceiver (negative)
USB_VBUS	50	I	USB Upstream port power monitor. The USB_VBUS input is a 1.2V I/O cell and requires a voltage divider to prevent damage to the input. The signal USB_VBUS must be connected to VBUS through a 90.9 kΩ ±1% resistor, and to signal ground through a 10 kΩ ±1% resistor. This allows the input to detect VBUS present from a minimum of 4V and sustain a maximum VBUS voltage up to 10V (applied to the voltage divider).
USB_R1	38	O	Precision resistor reference. A 10-kΩ ±1% resistor should be connected between R1 and R1RTN.
USB_R1RTN	39	I	Precision resistor reference return

**Table 5. Serial Peripheral Interface (SPI) Signals**

TERMINAL		I/O	DESCRIPTION
NAME	PIN NO.		
SPI_SCLK	17	O PU	SPI clock
SPI_DATA_OUT	18	O PU	SPI master data out
SPI_DATA_IN	20	I PU	SPI master data in
SPI_CS0	21	O PU	Primary SPI chip select for Flash RAM
SPI_CS2/ GPIO11	23	I/O PU	SPI chip select for additional peripherals. When not used for SPI chip select this pin may be used as general purpose I/O. See <a href="#">Table 8</a> for firmware configuration defaults.
SPI_CS1/ GPIO10	22	I/O PU	SPI chip select for additional peripherals. When not used for SPI chip select this pin may be used as general purpose I/O. See <a href="#">Table 8</a> for firmware configuration defaults.

**Table 6. JTAG, GPIO, and PWM Signals**

TERMINAL		I/O	DESCRIPTION
NAME	PIN NO.		
JTAG_TCK	25	I PD	JTAG test clock
JTAG_TDI	26	I PU	JTAG test data in
JTAG_TDO	27	O PD	JTAG test data out
JTAG_TMS	28	I PU	JTAG test mode select
JTAG_TRSTz	29	I PD	JTAG test reset
GPIO9/UART_TX	6	I/O PU	GPIO/UART transmitter. This terminal can be configured as a GPIO or as the transmitter for a UART channel. See <a href="#">Table 8</a> for firmware configuration defaults.
GPIO8/UART_RX	5	I/O PU	GPIO/UART receiver. This terminal can be configured as a GPIO or as the receiver for a UART channel. See <a href="#">Table 8</a> for firmware configuration defaults.
GPIO7	16	I/O PD	Configurable as general purpose input/outputs. See <a href="#">Table 8</a> for firmware configuration defaults.
GPIO6	15	I/O PD	
GPIO5	14	I/O PD	
GPIO4	13	I/O PD	
GPIO3	11	I/O PD	
GPIO2	10	I/O PD	
GPIO1	9	I/O PD	
GPIO0	8	I/O PD	
PWM0	2	O PD <sup>(1)</sup>	Pulse Width Modulation (PWM) which can be used to drive status LED's. See <a href="#">Table 8</a> for firmware configuration defaults.
PWM1	3	O PD <sup>(1)</sup>	

(1) PWM pull down resistors are disabled by default. A firmware modification is required to turn them on. All other internal pull up/down resistors are enabled by default.

**Table 7. Power and Ground Signals**

TERMINAL		I/O	DESCRIPTION
NAME	PIN NO.		
VDD	1, 12, 19, 32, 33, 41, 47, 49, 55, 61, 63	PWR	1.1-V power rail
VDD33	7, 24, 51	PWR	3.3-V power rail
VDDA33	34, 40, 48, 62	PWR	3.3-V analog power rail
VSSOSC	53	PWR	Oscillator ground. If using a crystal, this should not be connected to PCB ground plane. If using an oscillator, this should be connected to PCB ground. See the Clock Source Requirements section for more details.
VSS	37, 44, 58, 64	PWR	Ground
VSS	65	PWR	Ground - Thermal Pad

# TUSB9261-Q1

SLLSEE2A – JANUARY 2014 – REVISED JANUARY 2014

www.ti.com

## ABSOLUTE MAXIMUM RATINGS

over operating free-air temperature range (unless otherwise noted)

		VALUE	UNIT		
VDD	Steady-state supply voltage	-0.3 to 1.4	V		
VDD33/ VDDA33	Steady-state supply voltage	-0.3 to 3.8	V		
V <sub>IO</sub>	USB 2.0 DP/DM	-0.3 to 3.8	V		
	SuperSpeed USB TXP/M and RXP/M	-0.3 to 3.8			
	SATA TXP/M and RXP/M	-0.3 to 3.8			
	XI/XO	-0.3 to 1.98			
	3.3V Tolerant I/O	-0.3 to 3.8			
V <sub>USB_VBUS</sub>	Voltage at USB_VBUS pad	-0.3 to 1.2	V		
T <sub>STG</sub>	Storage temperature range	-65 to 150	°C		
T <sub>J</sub>	Operating junction temperature range	-40 to 105	°C		
ESD rating	Human-body model (HBM) AEC-Q100 Classification Level H2		2	kV	
	Charged-device model (CDM)	AEQ-Q100 Classification Level C4B	Corner pins	750	V
			Non-corner pins except USB_R1	500	
		AEQ-Q100 Classification Level C3	USB_R1	450	

## THERMAL INFORMATION

THERMAL METRIC <sup>(1)</sup>		TUSB9261-Q1		UNITS
		PAP		
		64 PINS		
$\theta_{JA}$	Junction-to-ambient thermal resistance <sup>(2)</sup>	30.2		°C/W
$\theta_{JCTop}$	Junction-to-case (top) thermal resistance <sup>(3)</sup>	11		
$\theta_{JB}$	Junction-to-board thermal resistance <sup>(4)</sup>	6.1		
$\psi_{JT}$	Junction-to-top characterization parameter <sup>(5)</sup>	.04		
$\psi_{JB}$	Junction-to-board characterization parameter <sup>(6)</sup>	6.1		
$\theta_{JCbott}$	Junction-to-case (bottom) thermal resistance <sup>(7)</sup>	0.9		

- (1) For more information about traditional and new thermal metrics, see the *IC Package Thermal Metrics* application report, [SPRA953](#).
- (2) The junction-to-ambient thermal resistance under natural convection is obtained in a simulation on a JEDEC-standard, high-K board, as specified in JESD51-7, in an environment described in JESD51-2a.
- (3) The junction-to-case (top) thermal resistance is obtained by simulating a cold plate test on the package top. No specific JEDEC-standard test exists, but a close description can be found in the ANSI SEMI standard G30-88.
- (4) The junction-to-board thermal resistance is obtained by simulating in an environment with a ring cold plate fixture to control the PCB temperature, as described in JESD51-8.
- (5) The junction-to-top characterization parameter,  $\psi_{JT}$ , estimates the junction temperature of a device in a real system and is extracted from the simulation data for obtaining  $\theta_{JA}$ , using a procedure described in JESD51-2a (sections 6 and 7).
- (6) The junction-to-board characterization parameter,  $\psi_{JB}$ , estimates the junction temperature of a device in a real system and is extracted from the simulation data for obtaining  $\theta_{JA}$ , using a procedure described in JESD51-2a (sections 6 and 7).
- (7) The junction-to-case (bottom) thermal resistance is obtained by simulating a cold plate test on the exposed (power) pad. No specific JEDEC standard test exists, but a close description can be found in the ANSI SEMI standard G30-88.

## RECOMMENDED OPERATING CONDITIONS

over operating free-air temperature range (unless otherwise noted)

		MIN	NOM	MAX	UNIT
VDD	Digital 1.1 supply voltage	1.045	1.1	1.155	V
VDD33	Digital 3.3 supply voltage	3	3.3	3.6	V
VDDA33	Analog 3.3 supply voltage	3	3.3	3.6	V



**RECOMMENDED OPERATING CONDITIONS (continued)**

over operating free-air temperature range (unless otherwise noted)

		<b>MIN</b>	<b>NOM</b>	<b>MAX</b>	<b>UNIT</b>
V <sub>IO</sub>	USB 2.0 DM/DP	0		VDD33	V
	SuperSpeed USB TXM/P and RXM/P	0		VDD33	
	SATA TXM/P and RXM/P	0		VDD33	
	XI/XO	0		1.8	
	3.3V Tolerant I/O	0		VDD33	
V <sub>USB_VBUS</sub>	Voltage at USB_VBUS PAD	0		1.155	V
T <sub>A</sub>	Operating free-air temperature range	-40		85	°C
T <sub>J</sub>	Operating junction temperature range	-40		105	°C

# TUSB9261-Q1

SLLSEE2A – JANUARY 2014 – REVISED JANUARY 2014

[www.ti.com](http://www.ti.com)

## DC ELECTRICAL CHARACTERISTICS FOR 3.3-V DIGITAL I/O

over operating free-air temperature range (unless otherwise noted)

PARAMETER		TEST CONDITIONS	MIN	TYP	MAX	UNIT
<b>DRIVER</b>						
$T_R$	Rise time	5 pF			1.5	ns
$T_F$	Fall time	5 pF			1.53	ns
$I_{OL}$	Low-level output current	VDD33 = 3.3 V, $T_J = 25^\circ\text{C}$		6		mA
$I_{OH}$	High-level output current	VDD33 = 3.3 V, $T_J = 25^\circ\text{C}$		-6		mA
$V_{OL}$	Low-level output voltage	$I_{OL} = 2$ mA			0.4	V
$V_{OH}$	High-level output voltage	$I_{OL} = -2$ mA	2.4			V
$V_O$	Output voltage		0		VDD33	V
<b>RECEIVER</b>						
$V_I$	Input voltage		0		VDD33	V
$V_{IL}$	Low-level input voltage		0		0.8	V
$V_{IH}$	High-level input voltage		2			V
$V_{hys}$	Input hysteresis		200			mV
$t_T$	Input transition time ( $T_R$ and $T_F$ )				10	ns
$I_I$	Input current	$V_I = 0$ V to VDD33			5	$\mu\text{A}$
$C_I$	Input capacitance	VDD33 = 3.3 V, $T_J = 25^\circ\text{C}$		0.384		pF

## SuperSpeed USB POWER CONSUMPTION

POWER RAIL	TYPICAL ACTIVE CURRENT (mA) <sup>(1)</sup>	TYPICAL SUSPEND CURRENT (mA) <sup>(2)</sup>
VDD11	291	153
VDD33 <sup>(3)</sup>	65	28

- (1) Transferring data via SS USB to a SSD SATA Gen II device. No SATA power management, U0 only.  
 (2) SATA Gen II SSD attached no active transfer. No SATA power management, U3 only.  
 (3) All 3.3-V power rails connected together.

## HIGH SPEED USB POWER CONSUMPTION

POWER RAIL	TYPICAL ACTIVE CURRENT (mA) <sup>(1)</sup>	TYPICAL SUSPEND CURRENT (mA) <sup>(2)</sup>
VDD11	172	153
VDD33 <sup>(3)</sup>	56	28

- (1) Transferring data via HS USB to a SSD SATA Gen II device. No SATA power management.  
 (2) SATA Gen II SSD attached no active transfer. No SATA power management.  
 (3) All 3.3-V power rails connected together.

## OPERATION

### General Functionality

The TUSB9261-Q1 ROM contains boot code that executes after a global reset which performs the initial configuration required to load a firmware image from an attached SPI flash memory to local RAM. In the absence of an attached SPI flash memory or a valid image in the SPI flash memory, the firmware will idle and wait for a connection from a USB host through its HID interface which is also configured from the boot code. The latter can be accomplished using a custom application or driver to load the firmware from a file resident on the host system.

Once the firmware is loaded it configures the SATA advanced host controller interface host bus adapter (AHCI) and the USB device controller. In addition, the configuration of the AHCI includes a port reset which initiates an out of band (OOB) TX sequence from the AHCI link layer to determine if a device is connected, and if so negotiate the connection speed with the device (3.0 Gbps or 1.5 Gbps). Following speed negotiation, the firmware queries the attached device for capabilities and configures the device as appropriate for its interface and supported capabilities, for example a HDD that supports native command queuing (NCQ). If no SATA device is connected, the firmware will configure the USB interface as a removable media device which supports SATA hot plug events.

The configuration of the USB device controller includes creation of the descriptors, configuration of the device endpoints for support of UASP and USB mass storage class bulk-only transport, allocation of memory for the transmit request blocks (TRBs), and creation of the TRBs necessary to transmit and receive packet data over the USB. In addition, the firmware provides any other custom configuration required for application specific implementation, for example a HID interface for user initiated backup.

After USB device controller configuration is complete, the firmware connects the device to the USB bus when VBUS is detected. According to the USB 3.0 specification, the TUSB9261-Q1 will initially try to connect at SuperSpeed USB, if successful it will enter U0; otherwise, after the training time out it will enable the DP pull up and connect as a USB 2.0 high-speed or full-speed device depending on the speed supported by host or hub port.

When connected, the firmware presents the BOT interface as the primary interface and the UASP interface as the secondary interface. If the host stack is UASP aware, it can enable the UASP interface using a SET\_INTERFACE request for alternate interface 1.

## Firmware Support

Default firmware support is provided for the following:

- SuperSpeed USB and USB 2.0 High-Speed and Full-Speed
- USB Attached SCSI Protocol (UASP) for Hard Disk Drives (HDD) and Solid State Drives (SSD)
- USB Mass Storage Class (MSC) Bulk-Only Transport (BOT) for HDD, SSD, and Optical Drives
  - Including the 13 Error Cases
- USB Mass Storage Specification for Bootability
- USB Device Class Definition for Human Interface Devices (HID)
  - Firmware Update and Custom Functionality (e.g. One-Touch Backup)
- Serial ATA Advanced Host Controller Interface (AHCI)
- General Purpose Input/Output (GPIO)
  - LED Control and Custom Functions (e.g. One-Touch Backup Control)
- Pulse Width Modulation (PWM)
  - LED Dimming Control
- Serial Peripheral Interface (SPI)
  - Firmware storage and storing Custom Device Descriptors
- Serial Communications Interface (SCI)
  - Debug Output Only

## GPIO/PWM LED Designations

The default firmware provided by TI drives the GPIO and PWM outputs as listed in the table below.

**Table 8. GPIO/PWM LED Designations**

GPIO0	Undefined. Defaults to input with integrated pull-down. Controllable as output via HID.	
GPIO1/GPIO5	Output indicating USB3 power state (U0-U3), if U1/U2 is enabled. Otherwise, defaults to an input with pull-down and may be driven low or high as an output via HID.	00: U3 state or default 01: U2 state 10: U1 state 11: U0 state
GPIO2	Output indicating HS/FS suspend when connected as USB 2.0. High indicates the USB 2.0 HS/FS bus is suspended.	
GPIO3	Input with integrated pull-down for momentary push button input to signal remote wake.	
GPIO4	Input to identify bus or self-powered status. Input should be high to indicate self-powered.	
GPIO6	Undefined. Defaults to input with pull-down. Controllable as output via HID.	
GPIO7	Output indicating SuperSpeed USB connection status. High indicates a SuperSpeed USB connection.	
GPIO8	UART Rx	
GPIO9	UART Tx	
GPIO10	Undefined. Defaults to input with integrated pull-up. Controllable as output via HID.	
GPIO11	Input with integrated pull-up to indicate a power fault condition. Low indicates a power fault.	
PWM0	Output indicating disk activity.	
PWM1	Output indicating software heartbeat.	

The LED's on the TUSB9261 Product Development Kit (PDK) board are connected as in the table above. Please see the TUSB9261 PDK Guide for more information on GPIO LED connection and usage. This EVM is available for purchase, contact TI for ordering information.

## Power Up and Reset Sequence

The TUSB9261-Q1 does not have specific power sequencing requirements with respect to the core power (VDD), I/O power (VDD33), or analog power (VDDA33) for reliability reasons. The core power (VDD) or IO power (VDD33) may be powered up for an indefinite period of time while others are not powered up if all of these constraints are met:

- All maximum ratings and recommended operating conditions are observed.
- All warnings about exposure to maximum rated and recommended conditions are observed, particularly junction temperature. These apply to power transitions as well as normal operation.
- Bus contention while VDD33 is powered up must be limited to 100 hours over the projected life-time of the device.
- Bus contention while VDD33 is powered down may violate the absolute maximum ratings.

A supply bus is powered up when the voltage is within the recommended operating range. It is powered down when it is below that range, either stable or in transition.

A minimum reset duration of 1 ms is required. This is defined as the time when the power supplies are in the recommended operating range to the de-assertion of GRSTz. If a passive reset circuit is used to provide GRSTz it is recommended that core power (VDD) be ramped prior to or at the same time as I/O power (VDD33). If this is not practical it is recommended to use a power good output from the core voltage regulator or voltage supervisory circuit to ensure a good reset input. The recommended duration of the GRSTz input is greater than 2 ms but less than 100 ms.

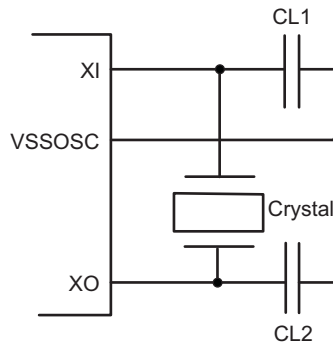
## CLOCK CONNECTIONS

### Clock Source Requirements

The TUSB9261-Q1 supports an external oscillator source or a crystal unit. If a clock is provided to XI instead of a crystal, XO is left open and VSSOSC should be connected to the PCB ground plane. Otherwise, if a crystal is used, the connection needs to follow the guidelines below.

Since XI and XO are coupled to other leads and supplies on the PCB, it is important to keep them as short as possible and away from any switching leads. It is also recommended to minimize the capacitance between XI and XO. This can be accomplished by connecting the VSSOSC lead to the two external capacitors CL1 and CL2 and shielding them with the clean ground lines. The VSSOSC should not be connected to PCB ground when using a crystal.

Load capacitance ( $C_{load}$ ) of the crystal varying with the crystal vendors is the total capacitance value of the entire oscillation circuit system as seen from the crystal. It includes two external capacitors CL1 and CL2 in [Figure 3](#). The trace length between the decoupling capacitors and the corresponding power pins on the TUSB9261 needs to be minimized. It is also recommended that the trace length from the capacitor pad to the power or ground plane be minimized.



**Figure 3. Typical Crystal Connections**

### Clock Source Selection Guide

Reference clock jitter is an important parameter. Jitter on the reference clock will degrade both the transmit eye and receiver jitter tolerance no matter how clean the rest of the PLL is, thereby impairing system performance. Additionally, a particularly jittery reference clock may interfere with PLL lock detection mechanism, forcing the Lock Detector to issue an Unlock signal. A good quality, low jitter reference clock is required to achieve compliance with supported USB3.0 standards. For example, USB3.0 specification requires the random jitter (RJ) component of either RX or TX to be 2.42 ps (random phase jitter calculated after applying jitter transfer function - JTF). As the PLL typically has a number of additional jitter components, the Reference Clock jitter must be considerably below the overall jitter budget.

## Oscillator

XI should be tied to the 1.8-V clock source and XO should be left floating.

VSSOSC should be connected to the PCB ground plane.

A 20-, 25-, 30- or 40-MHz clock can be used.

**Table 9. Oscillator Specification**

PARAMETER	CONDITIONS	MIN	TYP	MAX	UNIT
C <sub>XI</sub>	XI input capacitance		0.414		pF
V <sub>IL</sub>	Low-level input voltage			0.7	V
V <sub>IH</sub>	High-level input voltage	1.05			V
T <sub>tosc_i</sub>	Frequency tolerance	Operational temperature		50	ppm
T <sub>duty</sub>	Duty cycle	45	50	55	%
T <sub>R</sub> /T <sub>F</sub>	Rise/Fall time	20% - 80 %		6	ns
R <sub>J</sub>	Reference clock R <sub>J</sub>	JTF (1 sigma) <sup>(1) (2)</sup>		0.8	ps
T <sub>J</sub>	Reference clock T <sub>J</sub>	JTF (total p-p) <sup>(2) (3)</sup>		25	ps
T <sub>p-p</sub>	Reference clock jitter	(absolute p-p) <sup>(4)</sup>		50	ps

(1) Sigma value assuming Gaussian distribution

(2) After application of JTF

(3) Calculated as  $14.1 \times R_J + D_J$

(4) Absolute phase jitter (p-p)

## Crystal

A parallel, 20-pF load capacitor should be used if a crystal source is used.

VSSOSC should not be connected to the PCB ground plane.

A 20-, 25-, 30- or 40-MHz crystal can be used.

**Table 10. Crystal Specification**

PARAMETER	CONDITIONS	MIN	TYP	MAX	UNIT
Oscillation mode		Fundamental			
f <sub>O</sub>	Oscillation frequency		20		MHz
			25		
			30		
			40		
ESR	Equivalent series resistance	20 MHz and 25 MHz		50	Ω
		30 MHz		40	
		40 MHz		30	
T <sub>tosc_i</sub>	Frequency tolerance	Operational temperature		±50	ppm
	Frequency stability	1 year aging		±50	ppm
C <sub>L</sub>	Load capacitance	12	20	24	pF
C <sub>SHUNT</sub>	Crystal and board stray capacitance			4.5	pF
	Drive level (max)			0.8	mW

---

**REVISION HISTORY**

<b>Changes from Original (January 2014) to Revision A</b>	<b>Page</b>
• Deleted ORDERING INFORMATION table .....	<a href="#">2</a>

---



**PACKAGING INFORMATION**

Orderable Device	Status (1)	Package Type	Package Drawing	Pins	Package Qty	Eco Plan (2)	Lead finish/ Ball material (6)	MSL Peak Temp (3)	Op Temp (°C)	Device Marking (4/5)	Samples
TUSB9261IPAPQ1	ACTIVE	HTQFP	PAP	64	160	RoHS & Green	NIPDAU	Level-3-260C-168 HR	-40 to 85	TUSB9261IQ1	<a href="#">Samples</a>
TUSB9261IPAPRQ1	ACTIVE	HTQFP	PAP	64	1000	RoHS & Green	NIPDAU	Level-3-260C-168 HR	-40 to 85	TUSB9261IQ1	<a href="#">Samples</a>

(1) The marketing status values are defined as follows:

**ACTIVE:** Product device recommended for new designs.

**LIFEBUY:** TI has announced that the device will be discontinued, and a lifetime-buy period is in effect.

**NRND:** Not recommended for new designs. Device is in production to support existing customers, but TI does not recommend using this part in a new design.

**PREVIEW:** Device has been announced but is not in production. Samples may or may not be available.

**OBSOLETE:** TI has discontinued the production of the device.

(2) **RoHS:** TI defines "RoHS" to mean semiconductor products that are compliant with the current EU RoHS requirements for all 10 RoHS substances, including the requirement that RoHS substance do not exceed 0.1% by weight in homogeneous materials. Where designed to be soldered at high temperatures, "RoHS" products are suitable for use in specified lead-free processes. TI may reference these types of products as "Pb-Free".

**RoHS Exempt:** TI defines "RoHS Exempt" to mean products that contain lead but are compliant with EU RoHS pursuant to a specific EU RoHS exemption.

**Green:** TI defines "Green" to mean the content of Chlorine (Cl) and Bromine (Br) based flame retardants meet JS709B low halogen requirements of <=1000ppm threshold. Antimony trioxide based flame retardants must also meet the <=1000ppm threshold requirement.

(3) MSL, Peak Temp. - The Moisture Sensitivity Level rating according to the JEDEC industry standard classifications, and peak solder temperature.

(4) There may be additional marking, which relates to the logo, the lot trace code information, or the environmental category on the device.

(5) Multiple Device Markings will be inside parentheses. Only one Device Marking contained in parentheses and separated by a "~" will appear on a device. If a line is indented then it is a continuation of the previous line and the two combined represent the entire Device Marking for that device.

(6) Lead finish/Ball material - Orderable Devices may have multiple material finish options. Finish options are separated by a vertical ruled line. Lead finish/Ball material values may wrap to two lines if the finish value exceeds the maximum column width.

**Important Information and Disclaimer:**The information provided on this page represents TI's knowledge and belief as of the date that it is provided. TI bases its knowledge and belief on information provided by third parties, and makes no representation or warranty as to the accuracy of such information. Efforts are underway to better integrate information from third parties. TI has taken and continues to take reasonable steps to provide representative and accurate information but may not have conducted destructive testing or chemical analysis on incoming materials and chemicals. TI and TI suppliers consider certain information to be proprietary, and thus CAS numbers and other limited information may not be available for release.

In no event shall TI's liability arising out of such information exceed the total purchase price of the TI part(s) at issue in this document sold by TI to Customer on an annual basis.

**OTHER QUALIFIED VERSIONS OF TUSB9261-Q1 :**

- Catalog: [TUSB9261](#)

## NOTE: Qualified Version Definitions:

- Catalog - TI's standard catalog product

**TAPE AND REEL INFORMATION**

**QUADRANT ASSIGNMENTS FOR PIN 1 ORIENTATION IN TAPE**

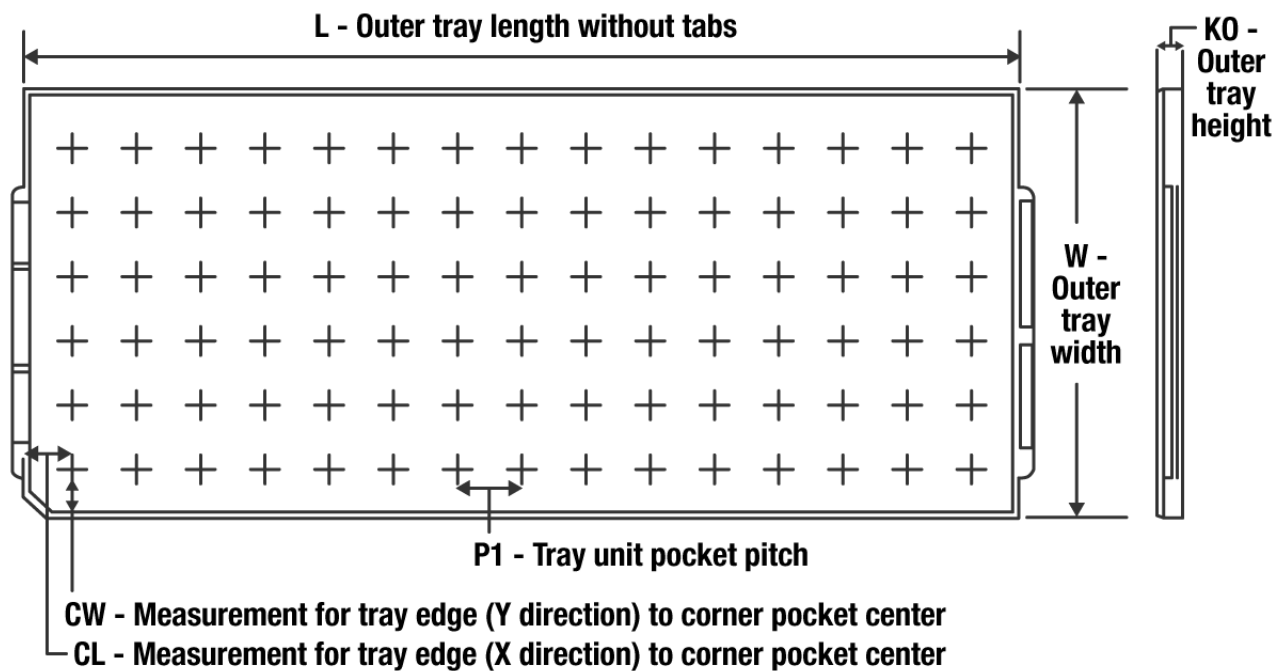

\*All dimensions are nominal

Device	Package Type	Package Drawing	Pins	SPQ	Reel Diameter (mm)	Reel Width W1 (mm)	A0 (mm)	B0 (mm)	K0 (mm)	P1 (mm)	W (mm)	Pin1 Quadrant
TUSB92611PAPRQ1	HTQFP	PAP	64	1000	330.0	24.4	13.0	13.0	1.5	16.0	24.0	Q2

**TAPE AND REEL BOX DIMENSIONS**


\*All dimensions are nominal

Device	Package Type	Package Drawing	Pins	SPQ	Length (mm)	Width (mm)	Height (mm)
TUSB9261IPAPRQ1	HTQFP	PAP	64	1000	367.0	367.0	55.0

**TRAY**


Chamfer on Tray corner indicates Pin 1 orientation of packed units.

\*All dimensions are nominal

Device	Package Name	Package Type	Pins	SPQ	Unit array matrix	Max temperature (°C)	L (mm)	W (mm)	K0 (µm)	P1 (mm)	CL (mm)	CW (mm)
TUSB92611PAPQ1	PAP	HTQFP	64	160	8 X 20	150	322.6	135.9	7620	15.2	13.1	13

## GENERIC PACKAGE VIEW

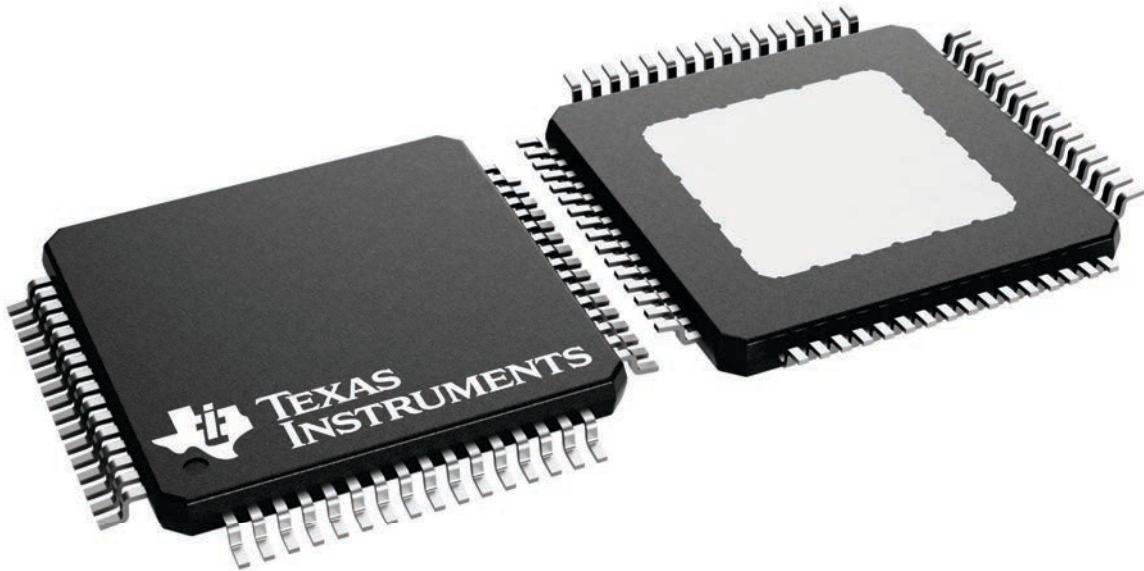
**PAP 64**

**HTQFP - 1.2 mm max height**

10 x 10, 0.5 mm pitch

QUAD FLATPACK

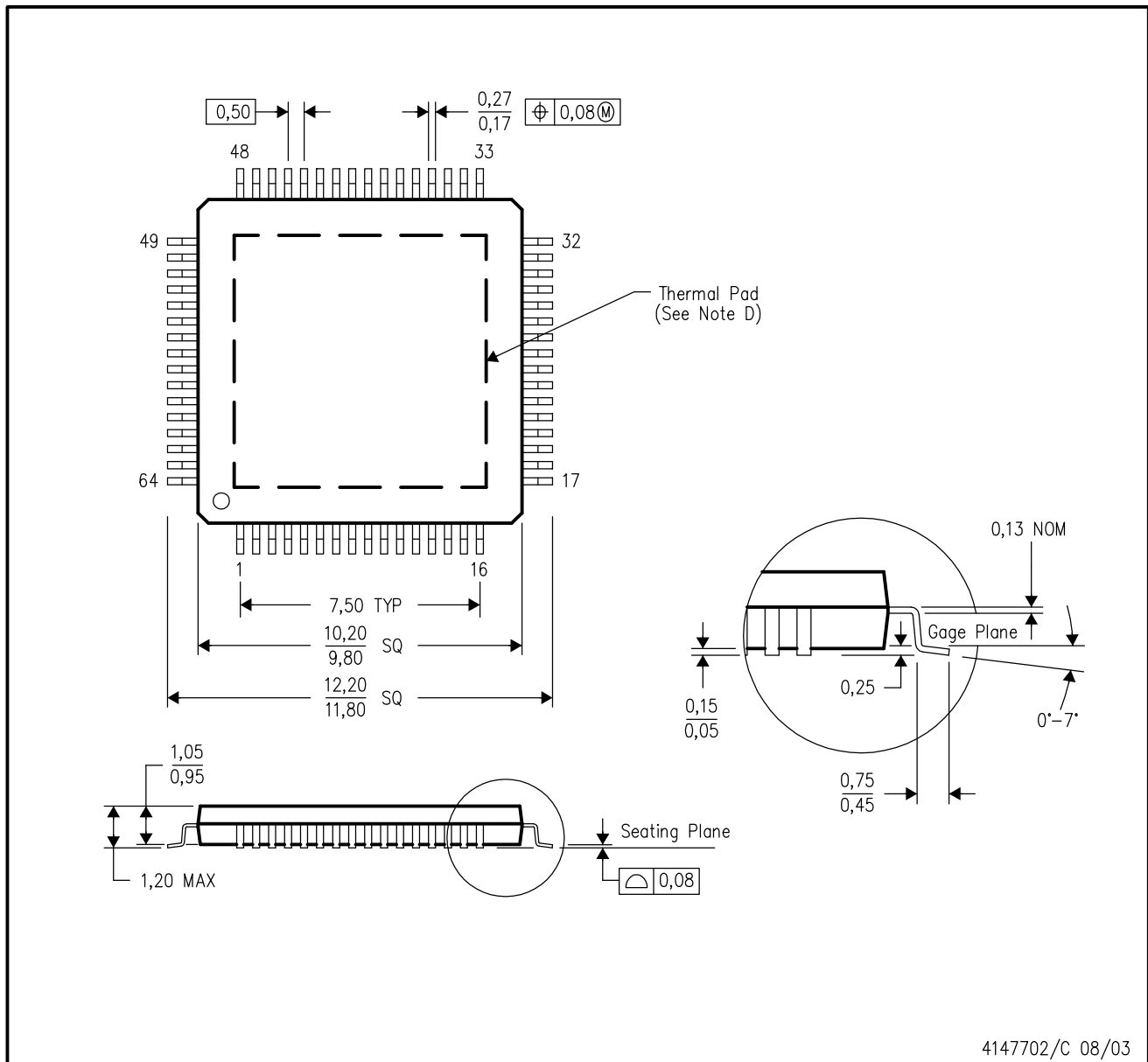
This image is a representation of the package family, actual package may vary.  
Refer to the product data sheet for package details.



4226442/A

PAP (S-PQFP-G64)

PowerPAD™ PLASTIC QUAD FLATPACK



- NOTES:
- A. All linear dimensions are in millimeters.
  - B. This drawing is subject to change without notice.
  - C. Body dimensions do not include mold flash or protrusion
  - D. This package is designed to be soldered to a thermal pad on the board. Refer to Technical Brief, PowerPad Thermally Enhanced Package, Texas Instruments Literature No. SLMA002 for information regarding recommended board layout. This document is available at [www.ti.com](http://www.ti.com) <<http://www.ti.com>>.
  - E. Falls within JEDEC MS-026

PowerPAD is a trademark of Texas Instruments.

## THERMAL PAD MECHANICAL DATA

PAP (S-PQFP-G64)

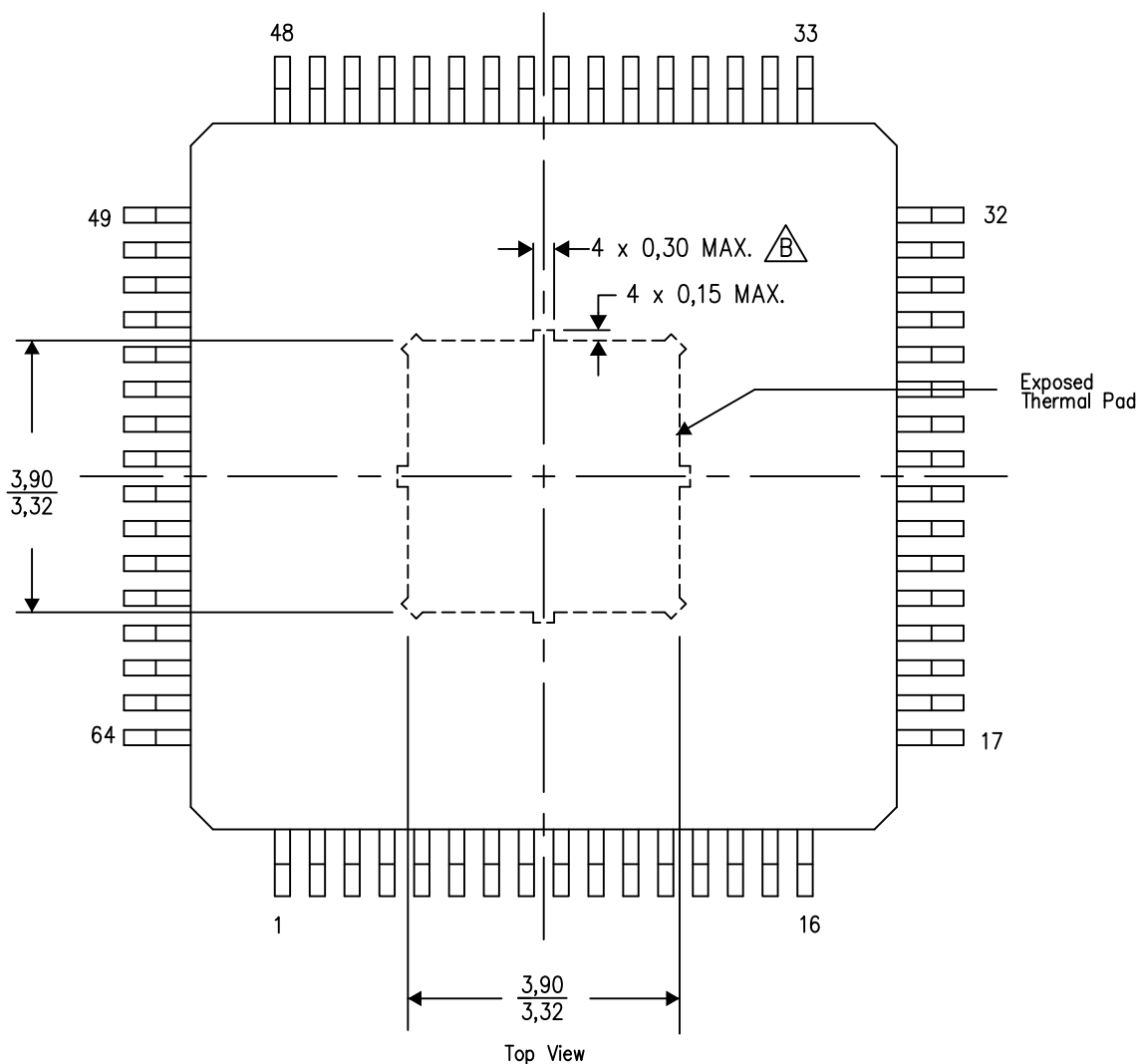
PowerPAD™ PLASTIC QUAD FLATPACK

### THERMAL INFORMATION

This PowerPAD™ package incorporates an exposed thermal pad that is designed to be attached to a printed circuit board (PCB). The thermal pad must be soldered directly to the PCB. After soldering, the PCB can be used as a heatsink. In addition, through the use of thermal vias, the thermal pad can be attached directly to the appropriate copper plane shown in the electrical schematic for the device, or alternatively, can be attached to a special heatsink structure designed into the PCB. This design optimizes the heat transfer from the integrated circuit (IC).

For additional information on the PowerPAD package and how to take advantage of its heat dissipating abilities, refer to Technical Brief, PowerPAD Thermally Enhanced Package, Texas Instruments Literature No. SLMA002 and Application Brief, PowerPAD Made Easy, Texas Instruments Literature No. SLMA004. Both documents are available at [www.ti.com](http://www.ti.com).

The exposed thermal pad dimensions for this package are shown in the following illustration.



4206326-12/P 05/14

NOTES: A. All linear dimensions are in millimeters

$\triangle A$  Tie strap features may not be present.

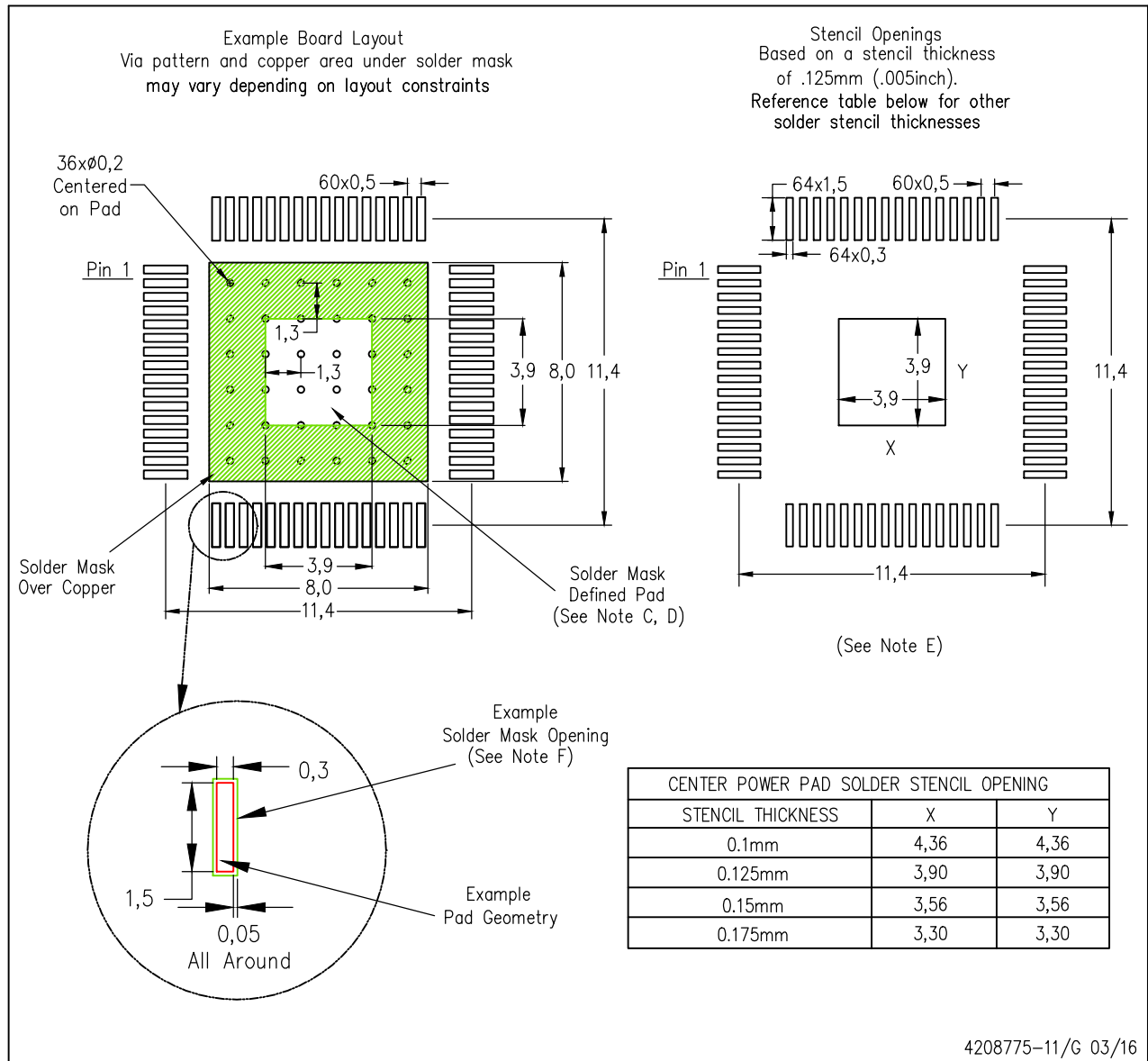
PowerPAD is a trademark of Texas Instruments



# LAND PATTERN DATA

PAP (S-PQFP-G64)

PowerPAD™ PLASTIC QUAD FLATPACK



- NOTES:
- A. All linear dimensions are in millimeters.
  - B. This drawing is subject to change without notice.
  - C. Customers should place a note on the circuit board fabrication drawing not to alter the center solder mask defined pad.
  - D. This package is designed to be soldered to a thermal pad on the board. Refer to Technical Brief, PowerPad Thermally Enhanced Package, Texas Instruments Literature No. SLMA002, SLMA004, and also the Product Data Sheets for specific thermal information, via requirements, and recommended board layout. These documents are available at [www.ti.com](http://www.ti.com) <<http://www.ti.com>>. Publication IPC-7351 is recommended for alternate designs.
  - E. Laser cutting apertures with trapezoidal walls and also rounding corners will offer better paste release. Customers should contact their board assembly site for stencil design recommendations. Example stencil design based on a 50% volumetric metal load solder paste. Refer to IPC-7525 for other stencil recommendations.
  - F. Customers should contact their board fabrication site for solder mask tolerances between and around signal pads.
- PowerPAD is a trademark of Texas Instruments**

## IMPORTANT NOTICE AND DISCLAIMER

TI PROVIDES TECHNICAL AND RELIABILITY DATA (INCLUDING DATA SHEETS), DESIGN RESOURCES (INCLUDING REFERENCE DESIGNS), APPLICATION OR OTHER DESIGN ADVICE, WEB TOOLS, SAFETY INFORMATION, AND OTHER RESOURCES "AS IS" AND WITH ALL FAULTS, AND DISCLAIMS ALL WARRANTIES, EXPRESS AND IMPLIED, INCLUDING WITHOUT LIMITATION ANY IMPLIED WARRANTIES OF MERCHANTABILITY, FITNESS FOR A PARTICULAR PURPOSE OR NON-INFRINGEMENT OF THIRD PARTY INTELLECTUAL PROPERTY RIGHTS.

These resources are intended for skilled developers designing with TI products. You are solely responsible for (1) selecting the appropriate TI products for your application, (2) designing, validating and testing your application, and (3) ensuring your application meets applicable standards, and any other safety, security, regulatory or other requirements.

These resources are subject to change without notice. TI grants you permission to use these resources only for development of an application that uses the TI products described in the resource. Other reproduction and display of these resources is prohibited. No license is granted to any other TI intellectual property right or to any third party intellectual property right. TI disclaims responsibility for, and you will fully indemnify TI and its representatives against, any claims, damages, costs, losses, and liabilities arising out of your use of these resources.

TI's products are provided subject to [TI's Terms of Sale](#) or other applicable terms available either on [ti.com](http://ti.com) or provided in conjunction with such TI products. TI's provision of these resources does not expand or otherwise alter TI's applicable warranties or warranty disclaimers for TI products.

TI objects to and rejects any additional or different terms you may have proposed.

Mailing Address: Texas Instruments, Post Office Box 655303, Dallas, Texas 75265  
Copyright © 2022, Texas Instruments Incorporated