

# Low-Power Stereo Audio DAC With Audio Processing and Stereo Class-D Speaker Amplifier

## 1 Introduction

### 1.1 Features

- Stereo Audio DAC With 95-dB SNR
- Supports 8-kHz to 192-kHz Sample Rates
- Stereo 1.29-W Class-D BTL 8-Ω Speaker Driver With Direct Battery Connection
- 25 Built-In Processing Blocks (PRB\_P1 – PRB\_P25) Providing Biquad Filters, DRC, and 3D
- Digital Sine-Wave Generator for Beeps and Key-Clicks (PRB\_P25)
- User-Programmable Biquad and FIR Filters
- Two Single-Ended Inputs With Mixing and Output Level Control
- Stereo Headphone or Lineout and Class-D Speaker Outputs Available
- Microphone Bias
- Headphone Detection
- Digital Mixing Capability
- Pin Control or Register Control for Digital-Playback Volume-Control Settings
- Programmable PLL for Flexible Clock Generation
- I<sup>2</sup>S, Left-Justified, Right-Justified, DSP, and TDM Audio Interfaces
- I<sup>2</sup>C Control With Register Auto-Increment
- Full Power-Down Control
- Power Supplies:
  - Analog: 2.7 V–3.6 V
  - Digital Core: 1.65 V–1.95 V
  - Digital I/O: 1.1 V–3.6 V
  - Class-D: 2.7 V–5.5 V (SPLVDD and SPRVDD ≥ AVDD)
- 5-mm × 5-mm 32-QFN Package

### 1.2 Applications

- **Portable Audio Devices**
- **Mobile Internet Devices**
- **e-Books**

### 1.3 Description

The TLV320DAC3101 device is a low-power, highly integrated, high-performance DAC with selectable digital audio processing blocks and 24-bit stereo playback.

The device integrates headphone drivers and speaker drivers. The TLV320DAC3101 device has a suite of built-in processing blocks for digital audio processing. The digital audio data format is programmable to work with popular audio standard protocols (I<sup>2</sup>S, left-justified, and right-justified) in master, slave, DSP, and TDM modes. Bass boost, treble, or EQ is supported by the programmable digital signal-processing block. An on-chip PLL provides the high-speed clock needed by the digital signal-processing block. The volume level is controlled by either pin control or by register control. The audio functions are controlled using the I<sup>2</sup>C serial bus.

The TLV320DAC3101 device has a programmable digital sine-wave generator and is available in a 32-pin QFN package.

#### Device Information<sup>(1)</sup>

PART NUMBER	PACKAGE	BODY SIZE
TLV320DAC3101	QFN (RHB)	5.00 mm x 5.00 mm

(1) For more information, see , *Mechanical, Packaging, and Orderable Information*.



### 1.4 Functional Block Diagram

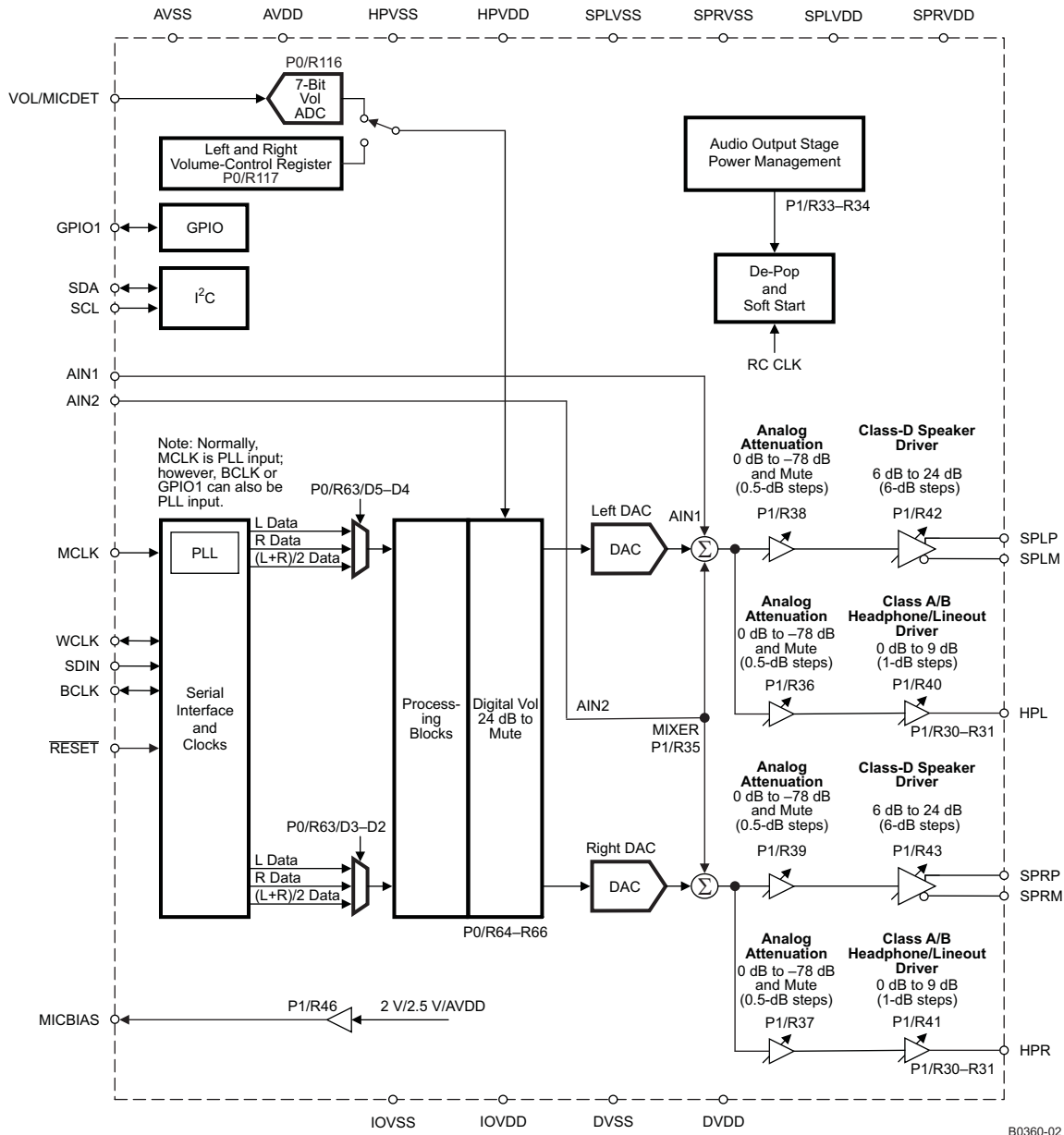


Figure 1-1. Functional Block Diagram

**NOTE**

This data manual is designed using PDF document-viewing features that allow quick access to information. For example, performing a global search on *page 0 / register 27* produces all references to this page and register in a list. This makes it easy to traverse the list and find all information related to a page and register. Note that the search string must be of the indicated format. Also, this document includes document hyperlinks to allow the user to quickly find a document reference. To come back to the original page, click the green left arrow near the PDF page number at the bottom of the file. The hot-key for this function is alt-left arrow on the keyboard. A different way to find information quickly is to use the PDF bookmarks.

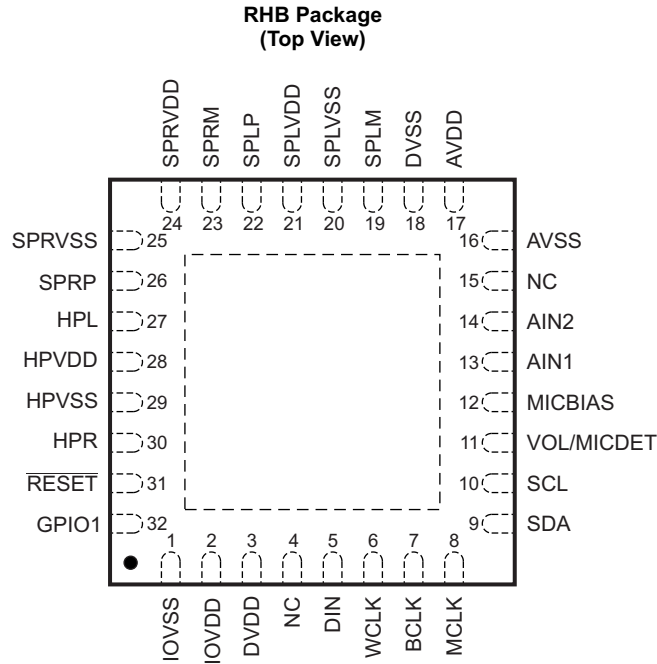
## 2 Revision History

NOTE: Page numbers for previous revisions may differ from page numbers in the current version.

Changes from Revision A (May 2012) to Revision B	Page
• Added <i>Device Information</i> table, <i>ESD Ratings</i> table, <i>Feature Description</i> section, <i>Application and Implementation</i> section, <i>Power Supply Recommendations</i> section, <i>Layout</i> section, <i>Device and Documentation Support</i> section, and <i>Mechanical, Packaging, and Orderable Information</i> section. ....	1
• Added <i>Power-Supply Sequence</i> section to the <i>Device Initialization</i> section .....	19
• Changed <a href="#">Section 6.3.10.1.2</a> diagrams for PRB_P2/5/8/10/13/15/18/21/24/25 to reflect that the DRC_HP filter cannot be bypassed when the DRC is turned off .....	26
• Added sequence for inserting a beep in the middle of an already-playing signal and note text following script in the <i>Key-Click Functionality With Digital Sine-Wave Generator (PRB_P25)</i> section.....	42
• Changed PRB_Rx to PRB_Px in <i>DAC Setup</i> section .....	48
• Changed text from: "the rising edge of the word clock..." To: "the rising edge of the word clock..." in the <i>DSP Mode</i> .....	60
• Changed DOSR note in Page 0 / Register 14 by switching multiple value for Filter Type A and Filter Type C .....	68
• Changed description in Page 0 / Register 14 to remove parameters for miniDSP .....	68
• Changed reset value to include all bits instead of just two (xx) .....	74
• Deleted reference to Dig_Mic_In in Page 0 / Register 54 table for bits D2-D1 .....	75
• Changed values in <i>Page 0 / Register 69 (0x45): DRC Control 2</i> .....	78
• Changed Page 0, Register 70, bit D3-D0 decay rate value for 0000 from DR = 1.5625e <sup>-3</sup> to DR = 0.015625 .....	78
• Switched D1 and D0 descriptions so that D1 is for SP and D0 is for HP in Page 1 / Register 30 table .....	81
• Changed Page 1 / Register 40, D1 to reserved .....	84
• Changed Page 1 / Register 41, D1 to reserved .....	84
• Added <a href="#">Figure 9-1</a> .....	100

Changes from Original (January, 2010) to Revision A	Page
• Changed register 36 to register 35. ....	24
• Added D6–D0 to the Register Value column heading and changed Analog Attenuation to Analog Gain. ....	45
• Deleted Analog Volume Control for Headphone and Speaker Outputs (for D7=0) table and added table note to D7=1 table. ....	45
• Changed page 0 to page 1 in section 5.5.12.1. ....	46
• Added $80 \text{ MHz} \leq (\text{PLL\_CLKIN} \times \text{J.D} \times \text{R/P}) \leq 110 \text{ MHz}$ and $4 \leq \text{R} \times \text{J} \leq 259$ underneath <a href="#">Equation 8</a> .....	55
• Added Timer section and image after PLL section.....	57
• Added table note to Page 0 / Register 64 (0x40): DAC VOLUME CONTROL.....	76
• Changed D0=1 to Reserved in Page 1 / Register 33.....	82
• Removed extraneous cross-references for deleted table. ....	83
• Added table note following Page 1 / Register 40 .....	84
• Added table note to Page 1 / Register 41 (0x29): HPR Driver. ....	84

### 3 Pin Configuration and Functions



#### 3.1 Pin Attributes

**Table 3-1. Pin Functions**

PIN		I/O	DESCRIPTION
NAME	NO.		
AIN1	13	I	Analog input #1 routed to output mixer
AIN2	14	I	Analog input #2 routed to output mixer
AVDD	17	–	Analog power supply
AVSS	16	–	Analog ground
BCLK	7	I/O	Audio serial bit clock
DIN	5	I	Audio serial data input
DVDD	3	–	Digital power – digital core
DVSS	18	–	Digital ground
GPIO1	32	I/O	General-purpose input/output and multifunction pin
HPL	27	O	Left-channel headphone/line driver output
HPR	30	O	Right-channel headphone/line driver output
HPVDD	28	–	Headphone/line driver and PLL power
HPVSS	29	–	Headphone/line driver and PLL ground
IOVDD	2	–	Interface power
IOVSS	1	–	Interface ground
MCLK	8	I	External master clock
MICBIAS	12	–	Microphone bias for external microphone
NC	4, 15	I	No connecton
RESET	31	I	Device reset
SDL	10	I/O	I <sup>2</sup> C control bus clock input
SDA	9	I/O	I <sup>2</sup> C control bus data input
SPLM	19	O	Left-channel class-D speaker-driver inverting output

**Table 3-1. Pin Functions (continued)**

PIN		I/O	DESCRIPTION
NAME	NO.		
SPLP	22	O	Left-channel class-D speaker-driver noninverting output
SPLVDD	21	–	Left-channel class-D speaker-driver power supply
SPLVSS	20	–	Left-channel class-D speaker-driver power supply ground
SPRM	23	O	Right-channel class-D speaker-driver inverting output
SPRP	26	O	Right-channel class-D speaker-driver noninverting output
SPRVDD	24	–	Right-channel class-D speaker-driver power supply
SPRVSS	25	–	Right-channel class-D speaker-driver power-supply ground
VOL/MICDET	11	I	Volume control or headphone detection. Note that microphone detection is also available on devices that have an ADC.
WCLK	6	I/O	Audio serial word clock

## Table of Contents

<b>1</b>	<b>Introduction</b> .....	<b><a href="#">1</a></b>	4.9	DSP Timing in Slave Mode .....	<b><a href="#">12</a></b>
1.1	Features .....	<a href="#">1</a>	4.10	I <sup>2</sup> C Interface Timing .....	<a href="#">13</a>
1.2	Applications .....	<a href="#">1</a>	4.11	Typical Characteristics .....	<a href="#">14</a>
1.3	Description .....	<a href="#">1</a>	<b>5</b>	<b>Parameter Measurement Information</b> .....	<b><a href="#">17</a></b>
1.4	Functional Block Diagram .....	<a href="#">2</a>	<b>6</b>	<b>Detailed Description</b> .....	<b><a href="#">18</a></b>
<b>2</b>	<b>Revision History</b> .....	<b><a href="#">3</a></b>	6.1	Overview .....	<a href="#">18</a>
<b>3</b>	<b>Pin Configuration and Functions</b> .....	<b><a href="#">4</a></b>	6.2	Functional Block Diagram .....	<a href="#">19</a>
3.1	Pin Attributes .....	<a href="#">4</a>	6.3	Feature Description .....	<a href="#">19</a>
<b>4</b>	<b>Specifications</b> .....	<b><a href="#">7</a></b>	6.4	Register Map .....	<a href="#">65</a>
4.1	Absolute Maximum Ratings .....	<a href="#">7</a>	<b>7</b>	<b>Application and Implementation</b> .....	<b><a href="#">97</a></b>
4.2	ESD Ratings .....	<a href="#">7</a>	7.1	Application Information .....	<a href="#">97</a>
4.3	Recommended Operating Conditions .....	<a href="#">7</a>	7.2	Typical Application .....	<a href="#">97</a>
4.4	Thermal Information .....	<a href="#">8</a>	<b>8</b>	<b>Power Supply Recommendations</b> .....	<b><a href="#">99</a></b>
4.5	Electrical Characteristics .....	<a href="#">8</a>	<b>9</b>	<b>Layout</b> .....	<b><a href="#">100</a></b>
4.6	Power Dissipation Ratings .....	<a href="#">9</a>	9.1	Layout Guidelines .....	<a href="#">100</a>
4.7	I <sup>2</sup> S, LJF, and RJF Timing in Slave Mode .....	<a href="#">10</a>	9.2	Layout Example .....	<a href="#">100</a>
4.8	DSP Timing in Master Mode .....	<a href="#">11</a>			

## 4 Specifications

### 4.1 Absolute Maximum Ratings

over operating free-air temperature range (unless otherwise noted) <sup>(1)</sup>

	MIN	MAX	UNIT
AVDD to AVSS	-0.3	3.9	V
DVDD to DVSS	-0.3	2.5	V
HPVDD to HPVSS	-0.3	3.9	V
SPLVDD to SPLVSS	-0.3	6	V
SPRVDD to SPRVSS	-0.3	6	V
IOVDD to IOVSS	-0.3	3.9	V
Digital input voltage	IOVSS – 0.3	IOVDD + 0.3	V
Analog input voltage	AVSS – 0.3	AVDD + 0.3	V
Operating temperature	-40	85	°C
Junction temperature (T <sub>J</sub> Max)		105	°C
Storage temperature, T <sub>stg</sub>	-55	150	°C
Power dissipation		(T <sub>J</sub> Max - T <sub>A</sub> )/R <sub>θJA</sub>	W
R <sub>θJA</sub> thermal impedance (with thermal pad soldered to board)		35	°C/W

- (1) Stresses beyond those listed under *Absolute Maximum Ratings* may cause permanent damage to the device. These are stress ratings only, and functional operation of the device at these or any other conditions beyond those indicated under *Recommended Operating Conditions* is not implied. Exposure to absolute-maximum-rated conditions for extended periods may affect device reliability.

### 4.2 ESD Ratings

		VALUE	UNIT
V <sub>(ESD)</sub>	Electrostatic discharge	Human-body model (HBM), per ANSI/ESDA/JEDEC JS-001 <sup>(1)</sup>	±2000
		Charged-device model (CDM), per JEDEC specification JESD22-C101 <sup>(2)</sup>	±1000

- (1) JEDEC document JEP155 states that 500-V HBM allows safe manufacturing with a standard ESD control process.  
(2) JEDEC document JEP157 states that 250-V CDM allows safe manufacturing with a standard ESD control process.

### 4.3 Recommended Operating Conditions

over operating free-air temperature range (unless otherwise noted)

		MIN	NOM	MAX	UNIT
AVDD <sup>(1)</sup>	Power-supply voltage	Referenced to AVSS <sup>(2)</sup>	2.7	3.3	3.6
DVDD		Referenced to DVSS <sup>(2)</sup>	1.65	1.8	1.95
HPVDD		Referenced to HPVSS <sup>(2)</sup>	2.7	3.3	3.6
SPLVDD <sup>(1)</sup>		Referenced to SPLVSS <sup>(2)</sup>	2.7		5.5
SPRVDD <sup>(1)</sup>		Referenced to SPRVSS <sup>(2)</sup>	2.7		5.5
IOVDD		Referenced to IOVSS <sup>(2)</sup>	1.1	3.3	3.6
	Speaker impedance	Resistance applied across class-D output pins (BTL)	8		Ω
	Headphone impedance	AC coupled to R <sub>L</sub>	16		Ω
V <sub>I</sub>	Analog audio full-scale input voltage	AVDD = 3.3 V, single-ended	0.707		V <sub>RMS</sub>
	Stereo line output load impedance	AC coupled to R <sub>L</sub>	10		kΩ
MCLK <sup>(3)</sup>	Master clock frequency	IOVDD = 3.3 V		50	MHz
f <sub>SCL</sub>	SCL clock frequency			400	kHz
T <sub>A</sub>	Operating free-air temperature		-40	105	°C

- (1) To minimize battery-current leakage, the SPLVDD and SPRVDD voltage levels must not be below the AVDD voltage level.  
(2) All grounds on board are tied together, so they must not differ in voltage by more than 0.2-V maximum for any combination of ground signals. By use of a wide trace or ground plane, ensure a low-impedance connection between HPVSS and DVSS.  
(3) The maximum input frequency must be 50 MHz for any digital pin used as a general-purpose clock.

## 4.4 Thermal Information

THERMAL METRIC <sup>(1)</sup>		TLV320DAC3101	
		RHB (VQFN)	
		32 PINS	
R <sub>θJA</sub>	Junction-to-ambient thermal resistance	32.7	°C/W
R <sub>θJC(top)</sub>	Junction-to-case (top) thermal resistance	23.2	°C/W
R <sub>θJB</sub>	Junction-to-board thermal resistance	6.6	°C/W
ψ <sub>JT</sub>	Junction-to-top characterization parameter	0.3	°C/W
ψ <sub>JB</sub>	Junction-to-board characterization parameter	6.5	°C/W
R <sub>θJC(bot)</sub>	Junction-to-case (bottom) thermal resistance	2	°C/W

(1) For more information about traditional and new thermal metrics, see the [Semiconductor and IC Package Thermal Metrics](#) application report.

## 4.5 Electrical Characteristics

At 25°C, AVDD = HPVDD = IOVDD = 3.3 V, SPLVDD, SPRVDD = 3.6 V, DVDD = 1.8 V, f<sub>s</sub> (audio) = 48 kHz, CODEC\_CLKIN = 256 × f<sub>s</sub>, PLL = Off, VOL/MICDET pin disabled (unless otherwise noted)

PARAMETER	TEST CONDITIONS	MIN	TYP	MAX	UNIT
<b>INTERNAL OSCILLATOR—RC_CLK</b>					
Oscillator frequency			8.2		MHz
<b>VOLUME CONTROL PIN (ADC); VOL/MICDET pin enabled</b>					
Input voltage range	VOL/MICDET pin configured as volume control (page 0 / register 116, bit D7 = 1 and page 0 / register 67, bit D7 = 0)	0		0.5 × AVDD	V
Input capacitance			2		pF
Volume control steps			128		Steps
<b>MICROPHONE BIAS</b>					
Voltage output	Page 1 / register 46, bits D1–D0 = 10	2.25	2.5	2.75	V
	Page 1 / register 46, bits D1–D0 = 01		2		
Voltage regulation	At 4-mA load current, page 1 / register 46, bits D1–D0 = 10 (MICBIAS = 2.5 V)		5		mV
	At 4-mA load current, page 1 / register 46, bits D1–D0 = 01 (MICBIAS = 2 V)		7		
DAC HEADPHONE OUTPUT, AC-coupled load = 16 Ω (single-ended), driver gain = 0 dB, parasitic capacitance = 30 pF					
Full-scale output voltage (0 dB)	Output common-mode setting = 1.65 V		0.707		V <sub>RMS</sub>
SNR	Signal-to-noise ratio	80	95		dB
THD	Total harmonic distortion		–85	–65	dB
THD+N	Total harmonic distortion + noise		–82	–60	dB
	Mute attenuation		87		dB
PSRR	Power-supply rejection ratio <sup>(3)</sup>		–62		dB
P <sub>O</sub>	Maximum output power	R <sub>L</sub> = 32 Ω, THD+N = –60 dB		20	mW
		R <sub>L</sub> = 16 Ω, THD+N = –60 dB		60	

- (1) Ratio of output level with 1-kHz full-scale sine-wave input, to the output level with the inputs short-circuited, measured A-weighted over a 20-Hz to 20-kHz bandwidth using an audio analyzer.
- (2) All performance measurements done with 20-kHz low-pass filter and, where noted, A-weighted filter. Failure to use such a filter may result in higher THD+N and lower SNR and dynamic range readings than shown in the Electrical Characteristics. The low-pass filter removes out-of-band noise, which, although not audible, may affect dynamic specification values.
- (3) DAC to headphone-out PSRR measurement is calculated as  $PSRR = 20 \times \log(\Delta V_{HPL} / \Delta V_{HPVDD})$ .



## Electrical Characteristics (continued)

At 25°C, AVDD = HPVDD = IOVDD = 3.3 V, SPLVDD, SPRVDD = 3.6 V, DVDD = 1.8 V, f<sub>S</sub> (audio) = 48 kHz, CODEC\_CLKIN = 256 × f<sub>S</sub>, PLL = Off, VOL/MICDET pin disabled (unless otherwise noted)

PARAMETER		TEST CONDITIONS	MIN	TYP	MAX	UNIT		
<b>DAC LINEOUT (HP Driver in Lineout Mode)</b>								
SNR	Signal-to-noise ratio	Measured as idle-channel noise, A-weighted		95		dB		
THD	Total harmonic distortion	0-dBFS input, 0-dB gain		–86		dB		
THD+N	Total harmonic distortion + noise	0-dBFS input, 0-dB gain		–82		dB		
<b>DAC Digital Interpolation Filter Characteristics</b>								
See Section 6.3.10.1.4 for DAC interpolation filter characteristics.								
<b>DAC Output to Class-D Speaker Output; Load = 8 Ω (Differential), 50 pF</b>								
Output voltage		SPLVDD = SPRVDD = 3.6 V, BTL measurement, CM = 1.8 V, DAC input = 0 dBFS, class-D gain = 6 dB, THD = –16.5 dB		2.2		V <sub>RMS</sub>		
		SPLVDD = SPRVDD = 3.6 V, BTL measurement, CM = 1.8 V, DAC input = –2 dBFS, class-D gain = 6 dB, THD = –20 dB		2.1				
Output, common-mode		SPLVDD = SPRVDD = 3.6 V, BTL measurement, DAC input = mute, CM = 1.8 V, class-D gain = 6 dB		1.8		V		
SNR	Signal-to-noise ratio	SPLVDD = SPRVDD = 3.6 V, BTL measurement, class-D gain = 6 dB, measured as idle-channel noise, A-weighted (with respect to full-scale output value of 2.2 VRMS) <sup>(1)</sup> <sup>(2)</sup>		87		dB		
THD	Total harmonic distortion	SPLVDD = SPRVDD = 3.6 V, BTL measurement, CM = 1.8 V, class-D gain = 6 dB		–67		dB		
THD+N	Total harmonic distortion + noise	SPLVDD = SPRVDD = 3.6 V, BTL measurement, CM = 1.8 V, class-D gain = 6 dB		–66		dB		
PSRR	Power-supply rejection ratio <sup>(4)</sup>	SPLVDD = SPRVDD = 3.6 V, BTL measurement, ripple on SPLVDD/SPRVDD = 200 mVp-p at 1 kHz		–44		dB		
	Mute attenuation			110		dB		
P <sub>O</sub>	Maximum output power	SPLVDD = SPRVDD = 3.6 V, BTL measurement, CM = 1.8 V, class-D gain = 18 dB, THD = 10%		540		mW		
		SPLVDD = SPRVDD = 4.3 V, BTL measurement, CM = 1.8 V, class-D gain = 18 dB, THD = 10%		790		mW		
		SPLVDD = SPRVDD = 5.5 V, BTL measurement, CM = 1.8 V, class-D gain = 18 dB, THD = 10%		1.29		W		
	Output-stage leakage current SPLVDD = SPRVDD = 4.3 V, device is powered for direct battery connection	SPLVDD = SPRVDD = 4.3 V, device is powered down (power-up-reset condition)		80		nA		
<b>DAC Power Consumption</b>								
For DAC power consumption based on the selected processing block, see Section 6.3.8.								
<b>DIGITAL INPUT/OUTPUT</b>								
Logic family			CMOS					
V <sub>IH</sub>	Logic Level	I <sub>IH</sub> = 5 μA, IOVDD ≥ 1.6 V	0.7 × IOVDD		V			
		I <sub>IH</sub> = 5 μA, IOVDD < 1.6 V	IOVDD					
V <sub>IL</sub>		I <sub>IL</sub> = 5 μA, IOVDD ≥ 1.6 V	–0.3				0.3 × IOVDD	
		I <sub>IL</sub> = 5 μA, IOVDD < 1.6 V					0	
V <sub>OH</sub>		I <sub>OH</sub> = 2 TTL loads	0.8 × IOVDD					
V <sub>OL</sub>		I <sub>OL</sub> = 2 TTL loads					0.1 × IOVDD	
Capacitive load			10		pF			

(4) DAC to speaker-out PSRR measurement is calculated as  $PSRR = 20 \times \log(\Delta V_{SPL(P+M)} / \Delta V_{SPLVDD})$ .

## 4.6 Power Dissipation Ratings

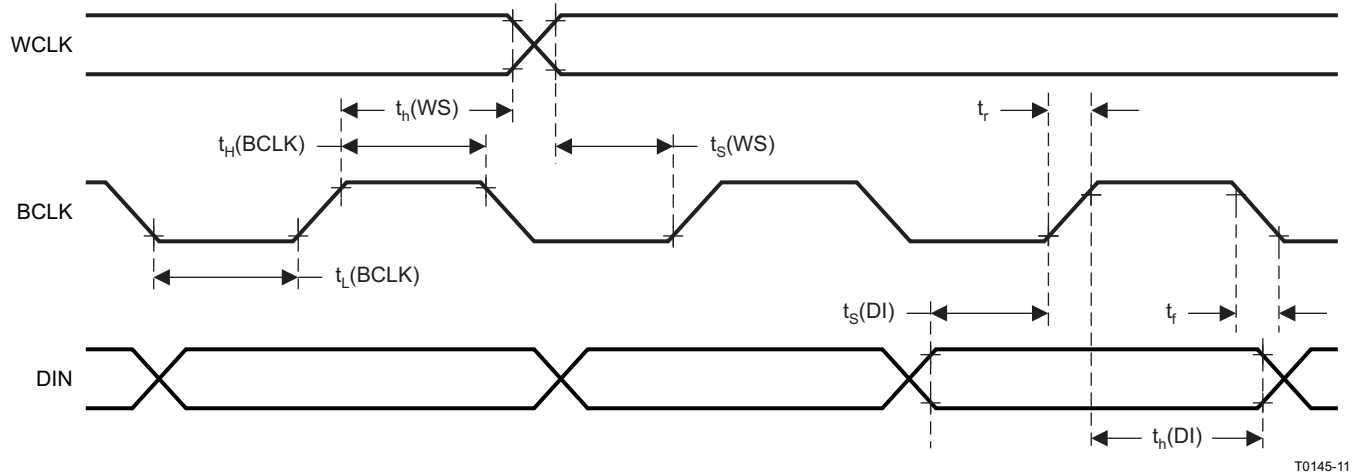
This data was taken using 2-oz. (0,071-mm thick) trace and copper pad that is soldered to a JEDEC high-K, standard 4-layer 3-inch × 3-inch (7,62-cm × 7,62-cm) PCB.

Power Rating at 25°C	Derating Factor	Power Rating at 70°C	Power Rating at 85°C
2.3 W	28.57 mW/°C	1 W	0.6 W

### 4.7 I<sup>2</sup>S, LJF, and RJF Timing in Slave Mode

All specifications at 25°C, DVDD = 1.8 V

**Note:** All timing specifications are measured at characterization.



T0145-11

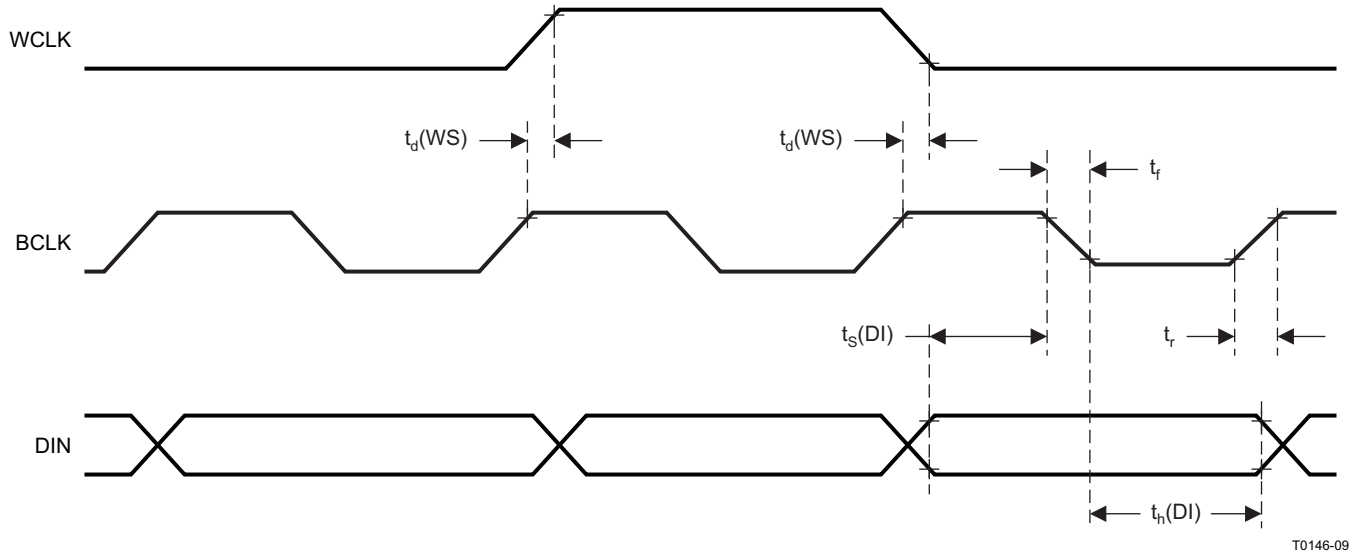
PARAMETER		IOVDD = 1.1 V		IOVDD = 3.3 V		UNIT
		MIN	MAX	MIN	MAX	
t <sub>H</sub> (BCLK)	BCLK high period	35		35		ns
t <sub>L</sub> (BCLK)	BCLK low period	35		35		ns
t <sub>S</sub> (WS)	WCLK setup	8		6		ns
t <sub>H</sub> (WS)	WCLK hold	8		6		ns
t <sub>S</sub> (DI)	DIN setup	8		6		ns
t <sub>H</sub> (DI)	DIN hold	8		6		ns
t <sub>r</sub>	Rise time		4		4	ns
t <sub>f</sub>	Fall time		4		4	ns

Figure 4-1. I<sup>2</sup>S, LJF, and RJF Timing in Slave Mode

### 4.8 DSP Timing in Master Mode

All specifications at 25°C, DVDD = 1.8 V

**Note:** All timing specifications are measured at characterization.



T0146-09

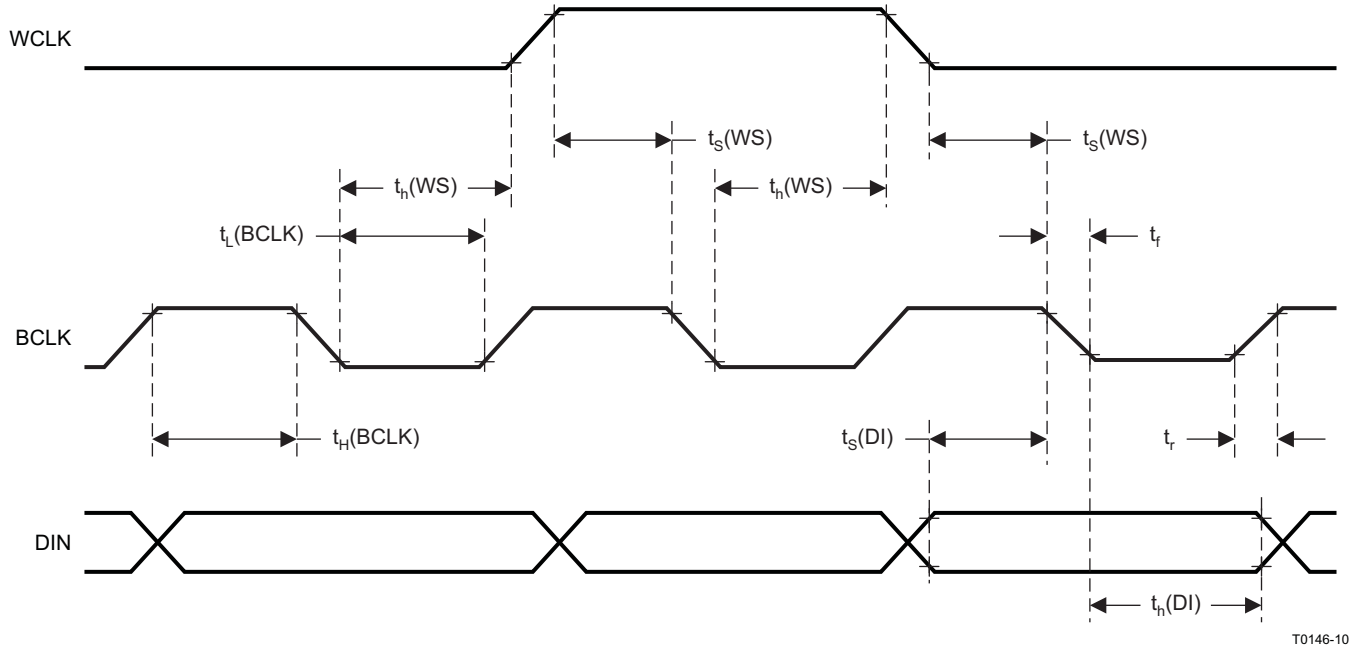
PARAMETER		IOVDD = 1.1 V		IOVDD = 3.3 V		UNIT
		MIN	MAX	MIN	MAX	
$t_d(WS)$	WCLK delay		45		20	ns
$t_s(DI)$	DIN setup	8		8		ns
$t_h(DI)$	DIN hold	8		8		ns
$t_r$	Rise time		25		10	ns
$t_f$	Fall time		25		10	ns

Figure 4-2. DSP Timing in Master Mode

### 4.9 DSP Timing in Slave Mode

All specifications at 25°C, DVDD = 1.8 V

**Note:** All timing specifications are measured at characterization.



T0146-10

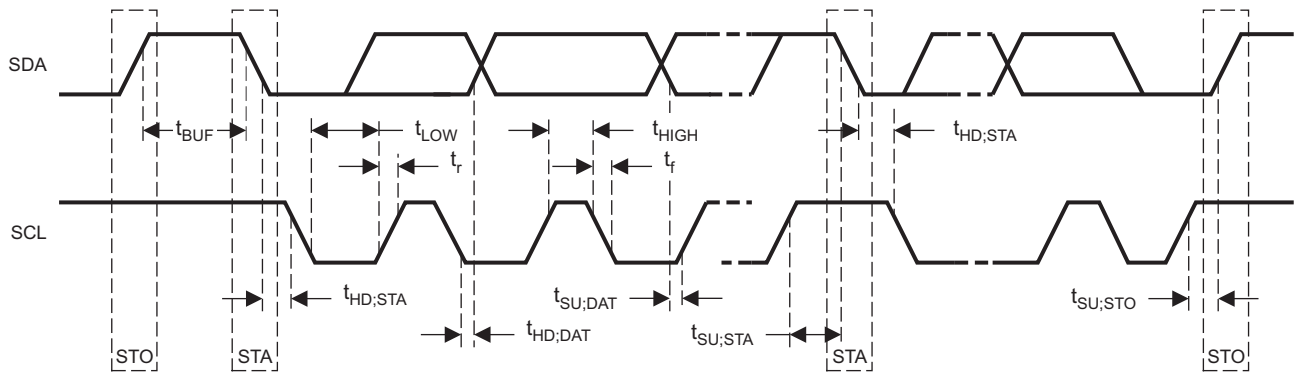
PARAMETER		IOVDD = 1.1 V		IOVDD = 3.3 V		UNIT
		MIN	MAX	MIN	MAX	
$t_h(BCLK)$	BCLK high period	35		35		ns
$t_l(BCLK)$	BCLK low period	35		35		ns
$t_s(WS)$	WCLK setup	8		8		ns
$t_h(WS)$	WCLK hold	8		8		ns
$t_s(DI)$	DIN setup	8		8		ns
$t_h(DI)$	DIN hold	8		8		ns
$t_r$	Rise time		4		4	ns
$t_f$	Fall time		4		4	ns

Figure 4-3. DSP Timing in Slave Mode

### 4.10 I<sup>2</sup>C Interface Timing

All specifications at 25°C, DVDD = 1.8 V

**Note:** All timing specifications are measured at characterization.



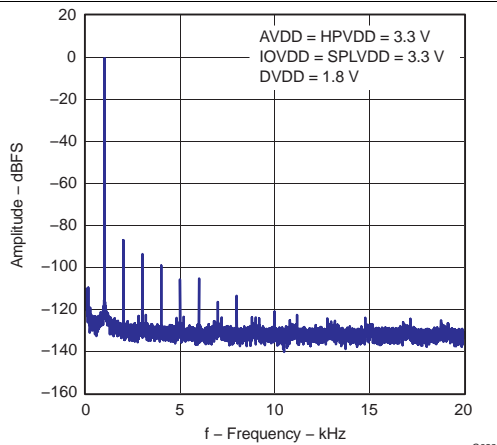
T0295-02

PARAMETER	Standard Mode			Fast Mode			UNIT
	MIN	TYP	MAX	MIN	TYP	MAX	
f <sub>SCL</sub>	SCL clock frequency		0	100	0	400	kHz
t <sub>HD;STA</sub>	Hold time (repeated) START condition. After this period, the first clock pulse is generated.		4		0.8		μs
t <sub>LOW</sub>	LOW period of the SCL clock		4.7		1.3		μs
t <sub>HIGH</sub>	HIGH period of the SCL clock		4		0.6		μs
t <sub>SU;STA</sub>	Setup time for a repeated START condition		4.7		0.8		μs
t <sub>HD;DAT</sub>	Data hold time: for I <sup>2</sup> C bus devices		0	3.45	0	0.9	μs
t <sub>SU;DAT</sub>	Data set-up time		250		100		ns
t <sub>r</sub>	SDA and SCL rise time			1000	20 + 0.1C <sub>b</sub>	300	ns
t <sub>f</sub>	SDA and SCL fall time			300	20 + 0.1C <sub>b</sub>	300	ns
t <sub>SU;STO</sub>	Set-up time for STOP condition		4		0.8		μs
t <sub>BUF</sub>	Bus free time between a STOP and START condition		4.7		1.3		μs
C <sub>b</sub>	Capacitive load for each bus line			400		400	pF

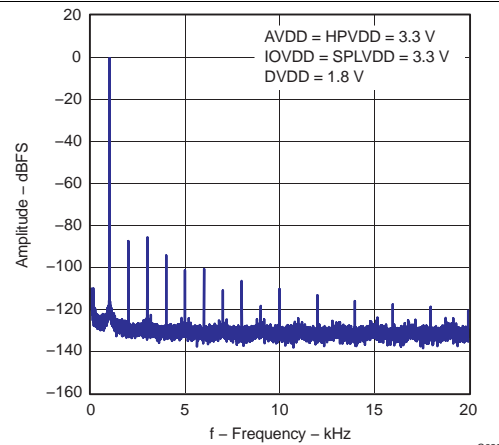
Figure 4-4. I<sup>2</sup>C Interface Timing

## 4.11 Typical Characteristics

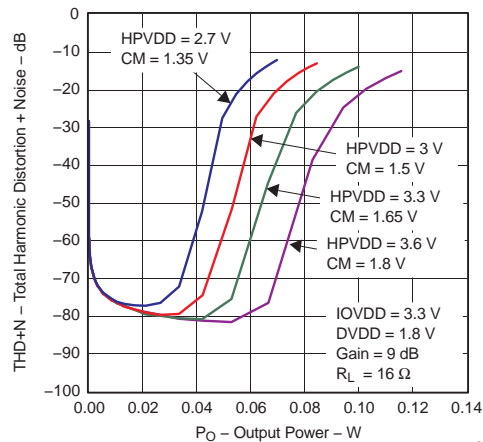
### 4.11.1 DAC Performance



**Figure 4-5. Amplitude vs Frequency FFT – DAC to Line Output**

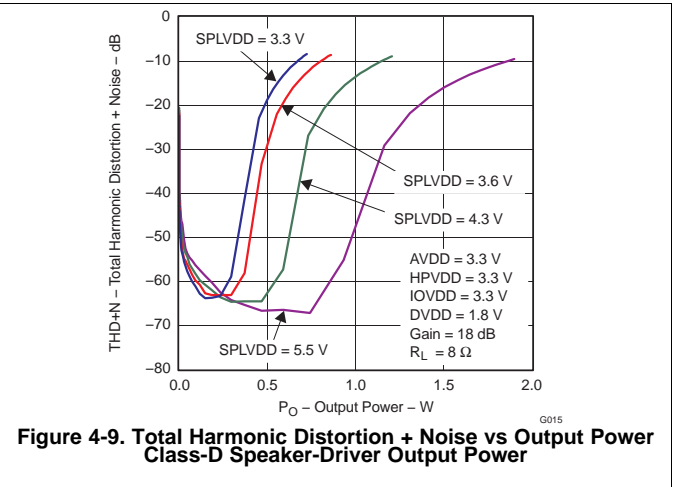
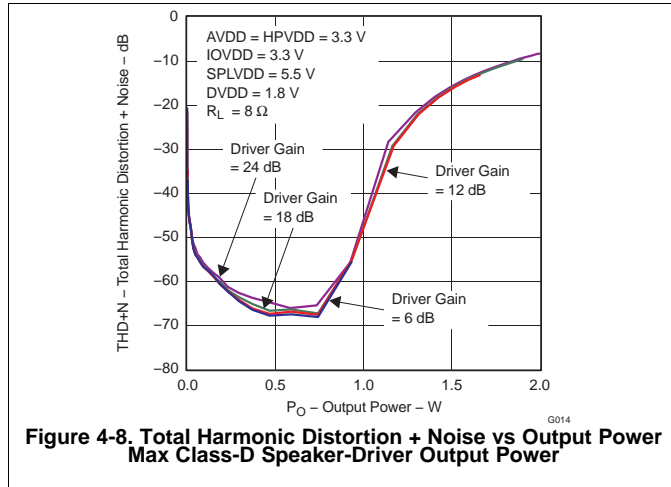


**Figure 4-6. Amplitude vs Frequency FFT – DAC to Headphone Output**

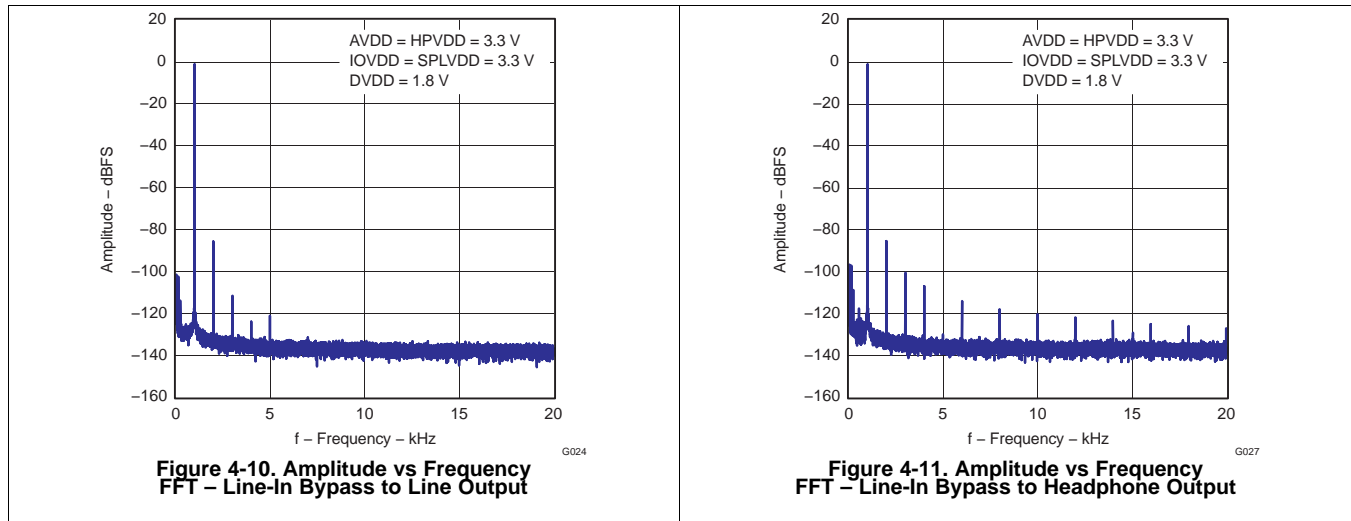


**Figure 4-7. Total Harmonic Distortion + Noise vs Output Power Headphone Output Power**

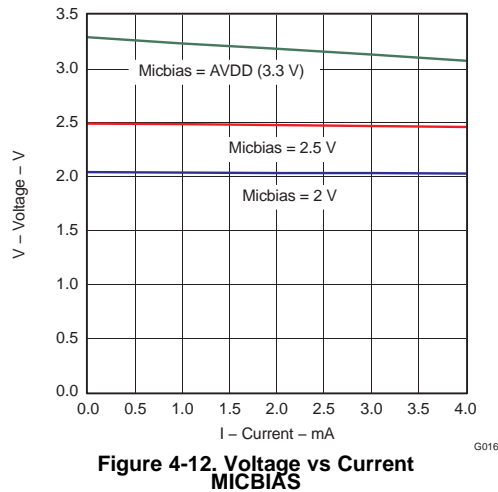
### 4.11.2 Class-D Speaker Driver Performance



### 4.11.3 Analog Bypass Performance



### 4.11.4 MICBIAS Performance





## 5 Parameter Measurement Information

All parameters are measured according to the conditions described in [Section 4](#).

## 6 Detailed Description

### 6.1 Overview

The device is a highly integrated stereo-audio DAC for portable computing, communication, and entertainment applications. A register-based architecture eases integration with microprocessor-based systems through standard serial-interface buses. This device supports the two-wire I<sup>2</sup>C bus interface which provides full register access. All peripheral functions are controlled through these registers and the onboard state machines.

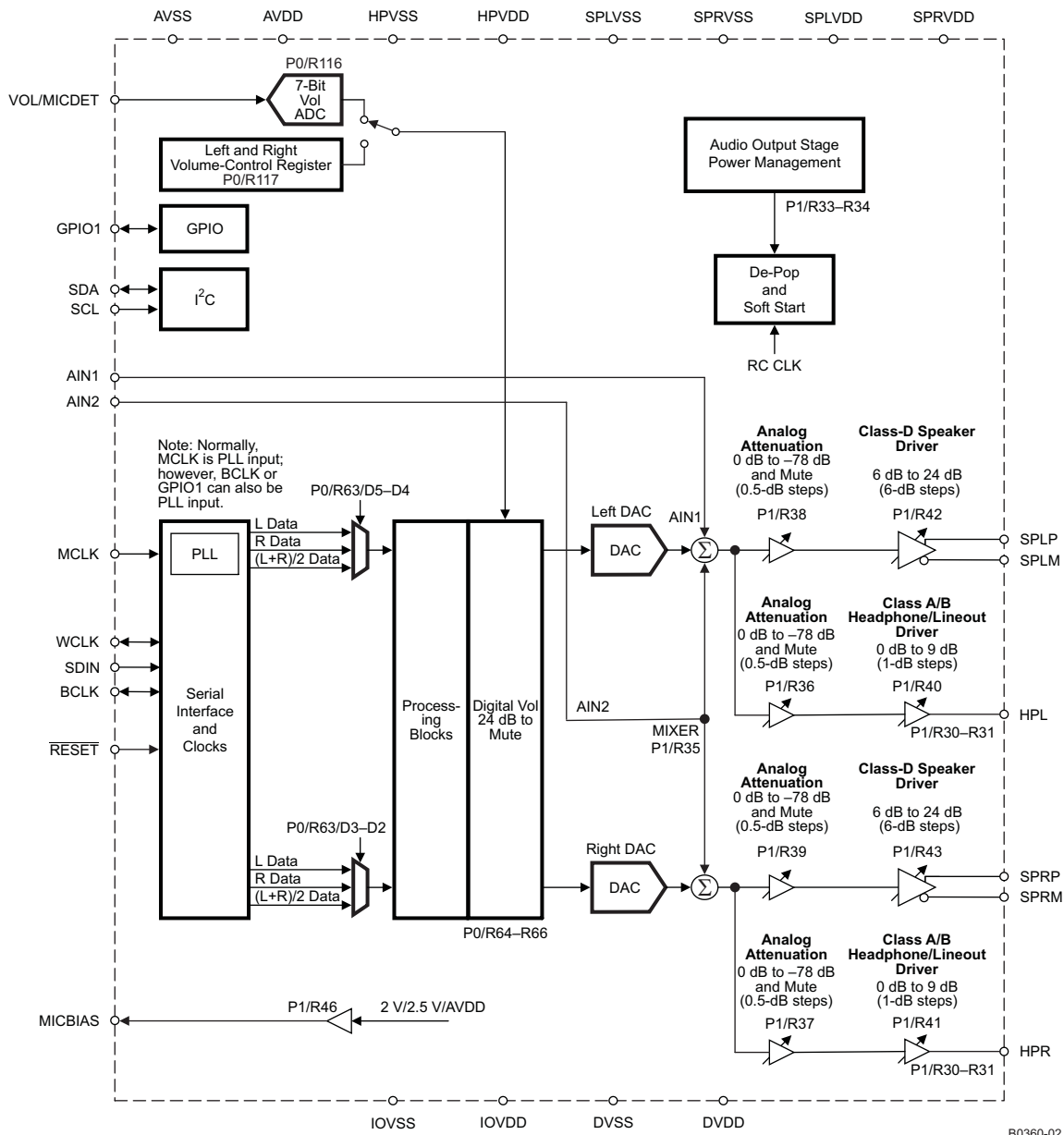
The device consists of the following blocks:

- Stereo Audio DAC
- Dynamic Range Compressor (DRC)
- Digital sine-wave generator for clicks and beeps
- Stereo headphone and lineout amplifier
- Pin-controlled or register-controlled volume level
- Power-down de-pop and power-up soft start
- Analog inputs
- I<sup>2</sup>C control interface
- Power-down control block

Following a toggle of the  $\overline{\text{RESET}}$  pin or a software reset, the device operates in the default mode. The I<sup>2</sup>C interface is used to write to the control registers to configure the device.

The I<sup>2</sup>C address assigned to the device is 001 1000. This device always operates in an I<sup>2</sup>C slave mode. All registers are 8-bit, and all writable registers have read-back capability. The device auto-increments to support sequential addressing and can be used with the I<sup>2</sup>C fast mode. When the device is reset, all appropriate registers are updated by the host processor to configure the device as needed by the user.

## 6.2 Functional Block Diagram



B0360-02

## 6.3 Feature Description

### 6.3.1 Power-Supply Sequence

The device requires multiple power supply rails for operation. All the power rails must be powered up for the device to operate at the fullest potential. The following is the recommended power-up sequencing for proper operation:

1. Power up SPLVDD and SPRVDD
2. Power up IOVDD
3. Power up DVDD shortly after IOVDD
4. Power up AVDD and HPVDD

Although not necessary, if the system requires, during shutdown, remove the power supplies in the reverse order of the above sequence.

### 6.3.2 Reset

The internal logic must be initialized to a known condition for proper device function. To initialize the device to its default operating condition, the hardware reset pin ( $\overline{\text{RESET}}$ ) must be pulled low for at least 10 ns. For this initialization to work, both the IOVDD and DVDD supplies must be powered up. TI recommends that while the DVDD supply powers up, the  $\overline{\text{RESET}}$  pin is pulled low.

The device can also be reset via software reset. Writing a 1 into page 0 / register 1, bit D0 resets the device.

### 6.3.3 Device Start-Up Lockout Times

After the is initialized through hardware reset at power up or software reset, the internal memories are initialized to default values. This initialization takes place within 1 ms after pulling the  $\overline{\text{RESET}}$  signal high. During this initialization phase, no register-read or register-write operation should be performed on DAC coefficient buffers. Also, no block within the codec should be powered up during the initialization phase.

### 6.3.4 PLL Start-Up

Whenever the PLL is powered up, a start-up delay of approximately of 10 ms occurs after the power-up command of the PLL and before the clocks are available to the codec. This delay is to ensure stable operation of the PLL and clock-divider logic.

### 6.3.5 Power-Stage Reset

The power-stage-only reset is used to reset the device after an overcurrent latching shutdown has occurred. Using this reset re-enables the output stage without resetting all of the registers in the device. Each of the four power stages has its own dedicated reset bit. The headphone power-stage reset is performed by setting page 1 / register 31, bit D7 for HPL and by setting page 1 / register 31, bit D6 for HPR. The speaker power-stage reset is performed by setting page 1 / register 32, bit D7 for SPLP and SPLM, and by setting page 1 / register 32, bit D6 for SPRP and SPRM.

### 6.3.6 Software Power Down

By default, all circuit blocks are powered down following a reset condition. Hardware power up of each circuit block can be controlled by writing to the appropriate control register. This approach allows the lowest power-supply current for the functionality required. However, when a block is powered down, all of the register settings are maintained as long as power is still being applied to the device.

### 6.3.7 Audio Analog I/O

The has a stereo audio DAC. The device supports a wide range of analog interfaces to support different headsets and analog outputs. The has features to interface output drivers (8- $\Omega$ , 16- $\Omega$ , 32- $\Omega$ ). A special circuit has also been included in the to insert a short key-click sound into the stereo audio output. The key-click sound is used to provide feedback to the user when a particular button is pressed or item is selected. The specific sound of the keyclick can be adjusted by varying several register bits that control its frequency, duration, and amplitude (see [Section 6.3.10.7](#)).

### 6.3.8 Digital Processing Low-Power Modes

The device can be tuned to minimize power dissipation, to maximize performance, or to an operating point between the two extremes to best fit the application. The choice of processing blocks, PRB\_P1 to PRB\_P25 for stereo playback, also influences the power consumption. In fact, the numerous processing blocks have been implemented to offer a choice among configurations having a different balance of power optimization and signal-processing capabilities.

#### 6.3.8.1 DAC Playback on Headphones, Stereo, 48 kHz, DVDD = 1.8 V, AVDD = 3.3 V, HPVDD = 3.3 V

**DOSR = 128, Processing Block = PRB\_P7 (Interpolation Filter B)**

Power consumption = 24.28 mW

**Table 6-1. PRB\_P7 Alternative Processing Blocks, 24.28 mW**

PROCESSING BLOCK	FILTER	ESTIMATED POWER CHANGE (mW)
PRB_P1	A	1.34
PRB_P2	A	2.86
PRB_P3	A	2.11
PRB_P8	B	1.18
PRB_P9	B	0.53
PRB_P10	B	1.89
PRB_P11	B	0.87
PRB_P23	A	1.48
PRB_P24	A	2.89
PRB_P25	A	3.23

**DOSR = 64, Processing Block = PRB\_P7 (Interpolation Filter B)**

Power consumption = 24.5 mW

**Table 6-2. PRB\_P7 Alternative Processing Blocks, 24.5 mW**

PROCESSING BLOCK	FILTER	ESTIMATED POWER CHANGE (mW)
PRB_P1	A	1.17
PRB_P2	A	2.62
PRB_P3	A	2
PRB_P8	B	0.99
PRB_P9	B	0.5
PRB_P10	B	1.46
PRB_P11	B	0.66
PRB_P23	A	1.43
PRB_P24	A	2.69
PRB_P25	A	2.92

### 6.3.8.2 DAC Playback on Headphones, Mono, 48 kHz, DVDD = 1.8 V, AVDD = 3.3 V, HPVDD = 3.3 V

**DOSR = 128, Processing Block = PRB\_P12 (Interpolation Filter B)**

Power consumption = 15.4 mW

**Table 6-3. PRB\_P12 Alternative Processing Blocks, 15.4 mW**

PROCESSING BLOCK	FILTER	ESTIMATED POWER CHANGE (mW)
PRB_P4	A	0.57
PRB_P5	A	1.48
PRB_P6	A	1.08
PRB_P13	B	0.56
PRB_P14	B	0.27
PRB_P15	B	0.89
PRB_P16	B	0.31

**DOSR = 64, Processing Block = PRB\_P12 (Interpolation Filter B)**

Power consumption = 15.54 mW

**Table 6-4. PRB\_P12 Alternative Processing Blocks, 15.54 mW**

PROCESSING BLOCK	FILTER	ESTIMATED POWER CHANGE (mW)
PRB_P4	A	0.37
PRB_P5	A	1.23
PRB_P6	A	1.15
PRB_P13	B	0.43
PRB_P14	B	0.13
PRB_P15	B	0.85
PRB_P16	B	0.21

### 6.3.8.3 DAC Playback on Headphones, Stereo, 8 kHz, DVDD = 1.8 V, AVDD = 3.3 V, HPVDD = 3.3 V

**DOSR = 768, Processing Block = PRB\_P7 (Interpolation Filter B)**

Power consumption = 22.44 mW

**Table 6-5. PRB\_P7 Alternative Processing Blocks, 22.44 mW**

PROCESSING BLOCK	FILTER	ESTIMATED POWER CHANGE (mW)
PRB_P1	A	0.02
PRB_P2	A	0.31
PRB_P3	A	0.23
PRB_P8	B	0.28
PRB_P9	B	-0.03
PRB_P10	B	0.14
PRB_P11	B	0.05
PRB_P23	A	0.29
PRB_P24	A	0.26
PRB_P25	A	0.47

**DOSR = 384, Processing Block = PRB\_P7 (Interpolation Filter B)**

Power consumption = 22.83 mW

**Table 6-6. PRB\_P7 Alternative Processing Blocks, 22.83 mW**

PROCESSING BLOCK	FILTER	ESTIMATED POWER CHANGE (mW)
PRB_P1	A	0.27
PRB_P2	A	0.4
PRB_P3	A	0.34
PRB_P8	B	0.2
PRB_P9	B	0.08
PRB_P10	B	0.24
PRB_P11	B	0.12
PRB_P23	A	0.23
PRB_P24	A	0.42
PRB_P25	A	0.46

**6.3.8.4 DAC Playback on Headphones, Mono, 8 kHz, DVDD = 1.8 V, AVDD = 3.3 V, HPVDD = 3.3 V**
**DOSR = 768, Processing Block = PRB\_P12 (Interpolation Filter B)**

Power consumption = 14.49 mW

**Table 6-7. PRB\_P12 Alternative Processing Blocks, 14.49 mW**

PROCESSING BLOCK	FILTER	ESTIMATED POWER CHANGE (mW)
PRB_P4	A	-0.04
PRB_P5	A	0.2
PRB_P6	A	-0.01
PRB_P13	B	0.1
PRB_P14	B	0.05
PRB_P15	B	-0.03
PRB_P16	B	0.07

**DOSR = 384, Processing Block = PRB\_P12 (Interpolation Filter B)**

Power consumption = 14.42 mW

**Table 6-8. PRB\_P12 Alternative Processing Blocks, 14.42 mW**

PROCESSING BLOCK	FILTER	ESTIMATED POWER CHANGE (mW)
PRB_P4	A	0.16
PRB_P5	A	0.3
PRB_P6	A	0.2
PRB_P13	B	0.15
PRB_P14	B	0.07
PRB_P15	B	0.18
PRB_P16	B	0.09

**6.3.8.5 DAC Playback on Headphones, Stereo, 192 kHz, DVDD = 1.8 V, AVDD = 3.3 V, HPVDD = 3.3 V**
**DOSR = 32, Processing Block = PRB\_P17 (Interpolation Filter C)**

Power consumption = 27.05 mW

**Table 6-9. PRB\_P17 Alternative Processing Blocks, 27.05 mW**

PROCESSING BLOCK	FILTER	ESTIMATED POWER CHANGE (mW)
PRB_P18	C	5.28
PRB_P19	C	1.98

**6.3.8.6 DAC Playback on Line Out (10 k-Ω load), Stereo, 48 kHz, DVDD = 1.8 V, AVDD = 3 V, HPVDD = 3 V**
**DOSR = 64, Processing Block = PRB\_P7 (Interpolation Filter B)**

Power consumption = 12.85 mW

**6.3.9 Analog Signals**

The analog signals consist of:

- Microphone bias (MICBIAS)
- Analog inputs AIN1 and AIN2

- Analog outputs, class-D speaker driver and headphone and lineout driver, providing output capability for the DAC, AIN1, AIN2 or a mix of the three

### 6.3.9.1 MICBIAS

The device includes a microphone bias circuit that sources up to 4 mA of current and is programmable to a 2-V, 2.5-V, or AVDD level. The level is controlled by writing to page 1 / register 46, bits D1–D0. [Table 6-10](#) lists this functionality.

**Table 6-10. MICBIAS Settings**

D1	D0	FUNCTIONALITY
0	0	MICBIAS output is powered down
0	1	MICBIAS output is powered to 2 V
1	0	MICBIAS output is powered to 2.5 V
1	1	MICBIAS output is powered to AVDD

During normal operation, MICBIAS can be set to 2.5 V for better performance. However, based on the model of the selected microphone, optimal performance can be obtained at another setting and therefore the performance at a given setting must be verified.

The lowest current consumption occurs when MICBIAS is powered down. The next-lowest current consumption occurs when MICBIAS is set at AVDD.

### 6.3.9.2 Analog Inputs AIN1 and AIN2

AIN1 (pin 13) and AIN2 (pin 14) are inputs to the output mixer along with the DAC output. Page 1 / register 35 provides control signals for determining the signals routed through the output mixer. The output of the output mixer then can be attenuated or gained through the class-D and, or, headphone and lineout drivers.

## 6.3.10 Audio DAC and Audio Analog Outputs

Each channel of the stereo audio DAC consists of a digital-audio processing block, a digital interpolation filter, a digital delta-sigma modulator, and an analog reconstruction filter. This high oversampling ratio (typically DOSR is between 32 and 128) exhibits good dynamic range by ensuring that the quantization noise generated within the delta-sigma modulator stays outside of the audio frequency band. Audio analog outputs include stereo headphone, or lineouts, and stereo class-D speaker outputs.

### 6.3.10.1 DAC

The stereo-audio DAC supports data rates from 8 kHz to 192 kHz. Each channel of the stereo audio-DAC consists of a signal-processing engine with fixed processing blocks, a digital interpolation filter, a multibit digital delta-sigma modulator, and an analog reconstruction filter. The DAC is designed to provide enhanced performance at low sampling rates through increased oversampling and image filtering, thereby keeping quantization noise generated within the delta-sigma modulator and signal images strongly suppressed within the audio band to beyond 20 kHz. To handle multiple input rates and optimize power dissipation and performance, the device allows the system designer to program the oversampling rates over a wide range from 1 to 1024 by configuring page 0 / register 13 and page 0 / register 14. The system designer can choose higher oversampling ratios for lower input data rates and lower oversampling ratios for higher input data rates.

The DAC channel includes a built-in digital interpolation filter to generate oversampled data for the delta-sigma modulator. The interpolation filter can be chosen from three different types, depending on required frequency response, group delay, and sampling rate.



DAC power up is controlled by writing to page 0 / register 63, bit D7 for the left channel and bit D6 for the right channel. The left-channel DAC clipping flag is provided as a read-only bit on page 0 / register 39, bit D7. The right-channel DAC clipping flag is provided as a read-only bit on page 0 / register 39, bit D6.

### 6.3.10.1.1 DAC Processing Blocks

The device implements signal-processing capabilities and interpolation filtering through processing blocks. These fixed processing blocks give users the choice of how much and what type of signal processing they use and which interpolation filter is applied.

The choices among these processing blocks allow the system designer to balance power conservation and signal-processing flexibility. [Table 6-11](#) gives an overview of all available processing blocks of the DAC channel and their properties. The resource-class column gives an approximate indication of power consumption for the digital (DVDD) supply; however, based on the out-of-band noise spectrum, the analog power consumption of the drivers (HPVDD) may differ.

The signal processing blocks available are:

- First-order IIR
- Scalable number of biquad filters
- 3D effect
- Digital sine-wave (beep) generator

The processing blocks are tuned for common cases and can achieve high image rejection or low group delay in combination with various signal-processing effects such as audio effects and frequency shaping. The available first-order IIR and biquad filters have fully user-programmable coefficients.

**Table 6-11. Overview – DAC Predefined Processing Blocks**

PROCESSING BLOCK NO.	INTERPOLATION FILTER	CHANNEL	FIRST-ORDER IIR AVAILABLE	NUMBER OF BIQUADS	DRC	3D	BEEP GENERATOR	RESOURCE CLASS
PRB_P1	A	Stereo	No	3	No	No	No	8
PRB_P2	A	Stereo	Yes	6	Yes	No	No	12
PRB_P3	A	Stereo	Yes	6	No	No	No	10
PRB_P4	A	Left	No	3	No	No	No	4
PRB_P5	A	Left	Yes	6	Yes	No	No	6
PRB_P6	A	Left	Yes	6	No	No	No	6
PRB_P7	B	Stereo	Yes	0	No	No	No	6
PRB_P8	B	Stereo	No	4	Yes	No	No	8
PRB_P9	B	Stereo	No	4	No	No	No	8
PRB_P10	B	Stereo	Yes	6	Yes	No	No	10
PRB_P11	B	Stereo	Yes	6	No	No	No	8
PRB_P12	B	Left	Yes	0	No	No	No	3
PRB_P13	B	Left	No	4	Yes	No	No	4
PRB_P14	B	Left	No	4	No	No	No	4
PRB_P15	B	Left	Yes	6	Yes	No	No	6
PRB_P16	B	Left	Yes	6	No	No	No	4
PRB_P17	C	Stereo	Yes	0	No	No	No	3
PRB_P18	C	Stereo	Yes	4	Yes	No	No	6
PRB_P19	C	Stereo	Yes	4	No	No	No	4
PRB_P20	C	Left	Yes	0	No	No	No	2
PRB_P21	C	Left	Yes	4	Yes	No	No	3
PRB_P22	C	Left	Yes	4	No	No	No	2
PRB_P23	A	Stereo	No	2	No	Yes	No	8
PRB_P24	A	Stereo	Yes	5	Yes	Yes	No	12
PRB_P25	A	Stereo	Yes	5	Yes	Yes	Yes	12

**6.3.10.1.2 DAC Processing Blocks — Details**

**6.3.10.1.2.1 Three Biquads, Filter A**

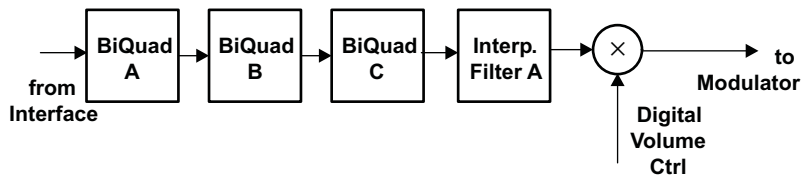


Figure 6-1. Signal Chain for PRB\_P1 and PRB\_P4

**6.3.10.1.2.2 Six Biquads, First-Order IIR, DRC, Filter A or B**

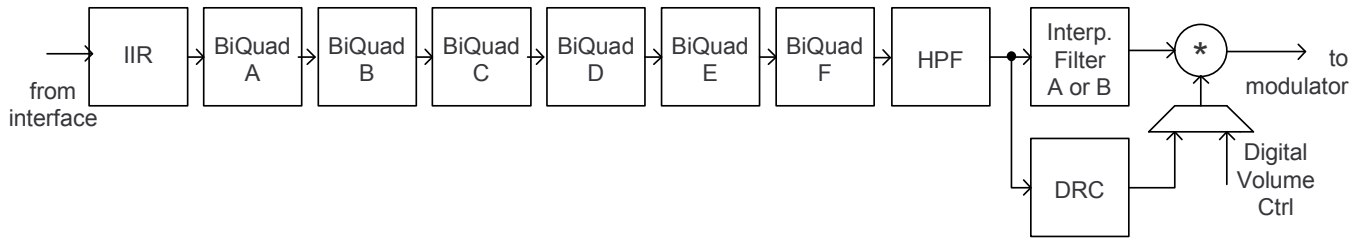


Figure 6-2. Signal Chain for PRB\_P2, PRB\_P5, PRB\_P10, and PRB\_P15

**6.3.10.1.2.3 Six Biquads, First-Order IIR, Filter A or B**

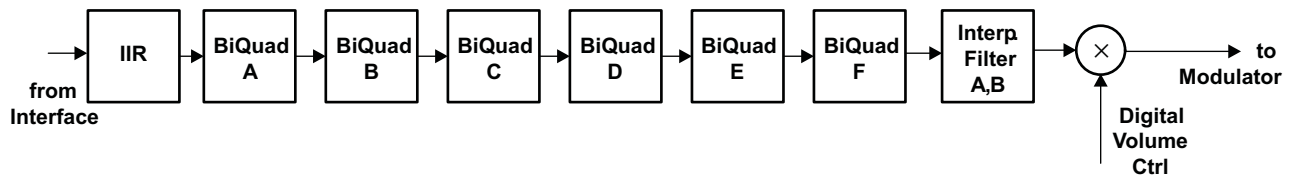


Figure 6-3. Signal Chain for PRB\_P3, PRB\_P6, PRB\_P11, and PRB\_P16

**6.3.10.1.2.4 IIR, Filter B or C**

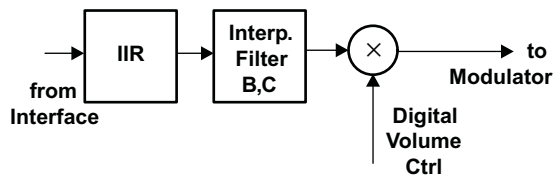


Figure 6-4. Signal Chain for PRB\_P7, PRB\_P12, PRB\_P17, and PRB\_P20

6.3.10.1.2.5 Four Biquads, DRC, Filter B

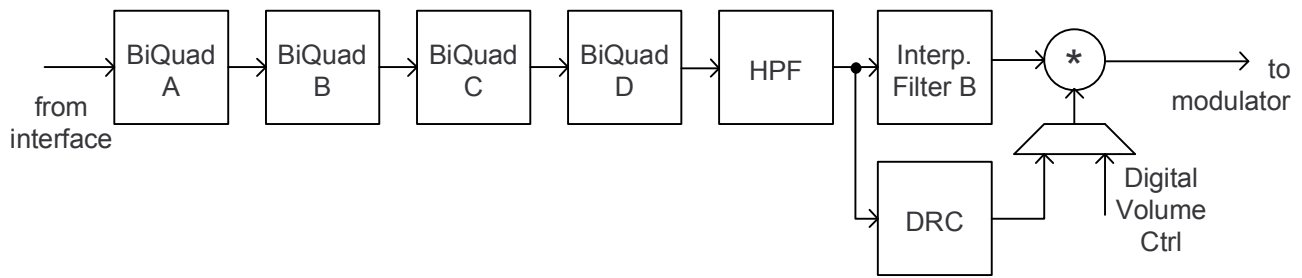


Figure 6-5. Signal Chain for PRB\_P8 and PRB\_P13

6.3.10.1.2.6 Four Biquads, Filter B

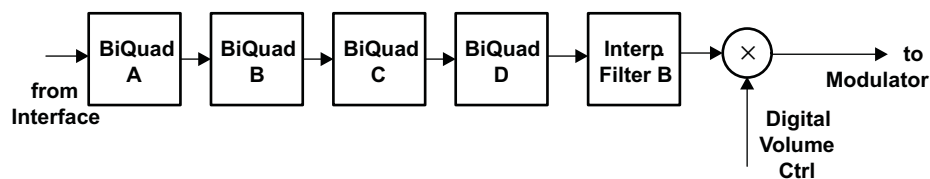


Figure 6-6. Signal Chain for PRB\_P9 and PRB\_P14

6.3.10.1.2.7 Four Biquads, First-Order IIR, DRC, Filter C

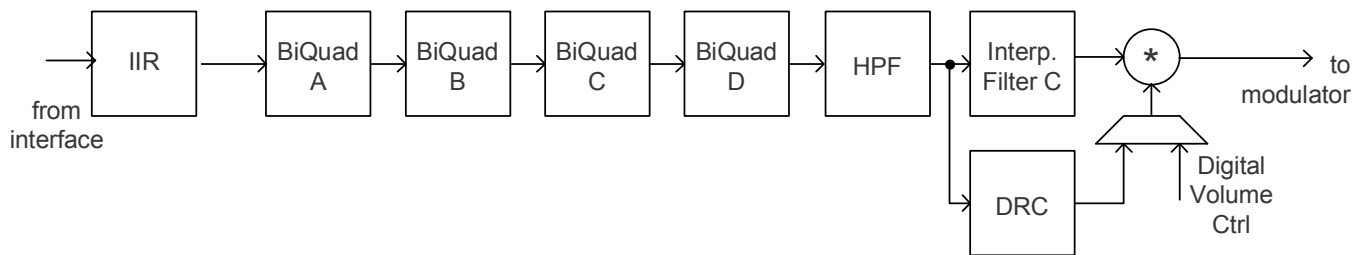


Figure 6-7. Signal Chain for PRB\_P18 and PRB\_P21

6.3.10.1.2.8 Four Biquads, First-Order IIR, Filter C

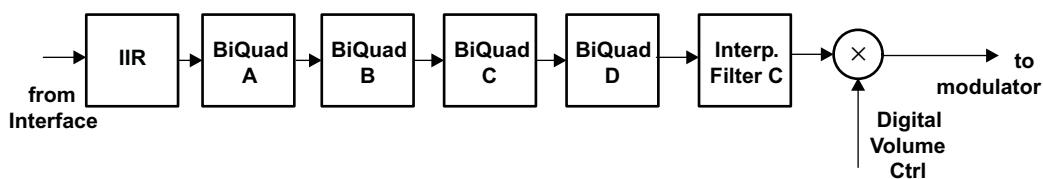
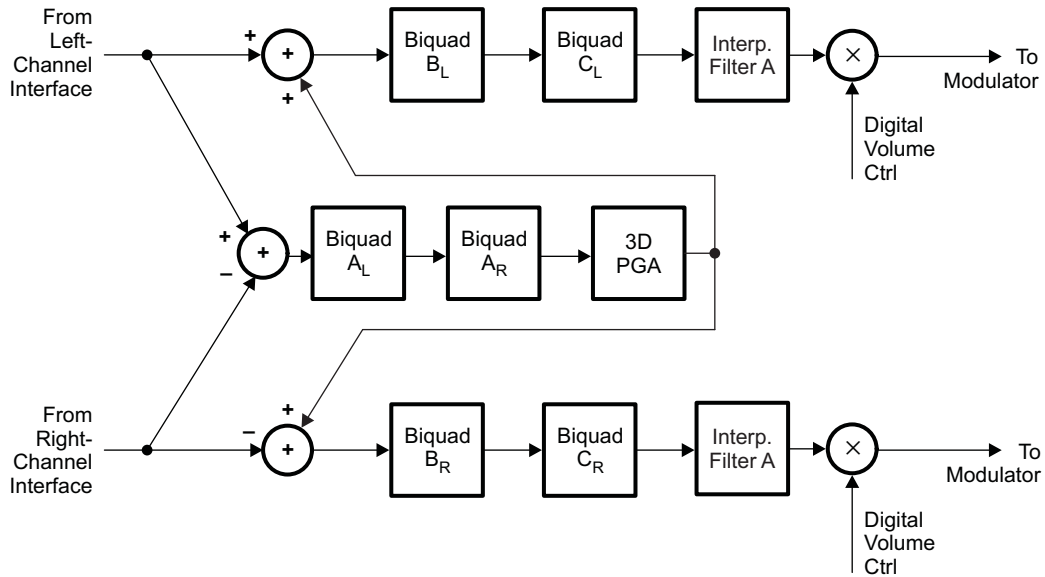


Figure 6-8. Signal Chain for PRB\_P19 and PRB\_P22

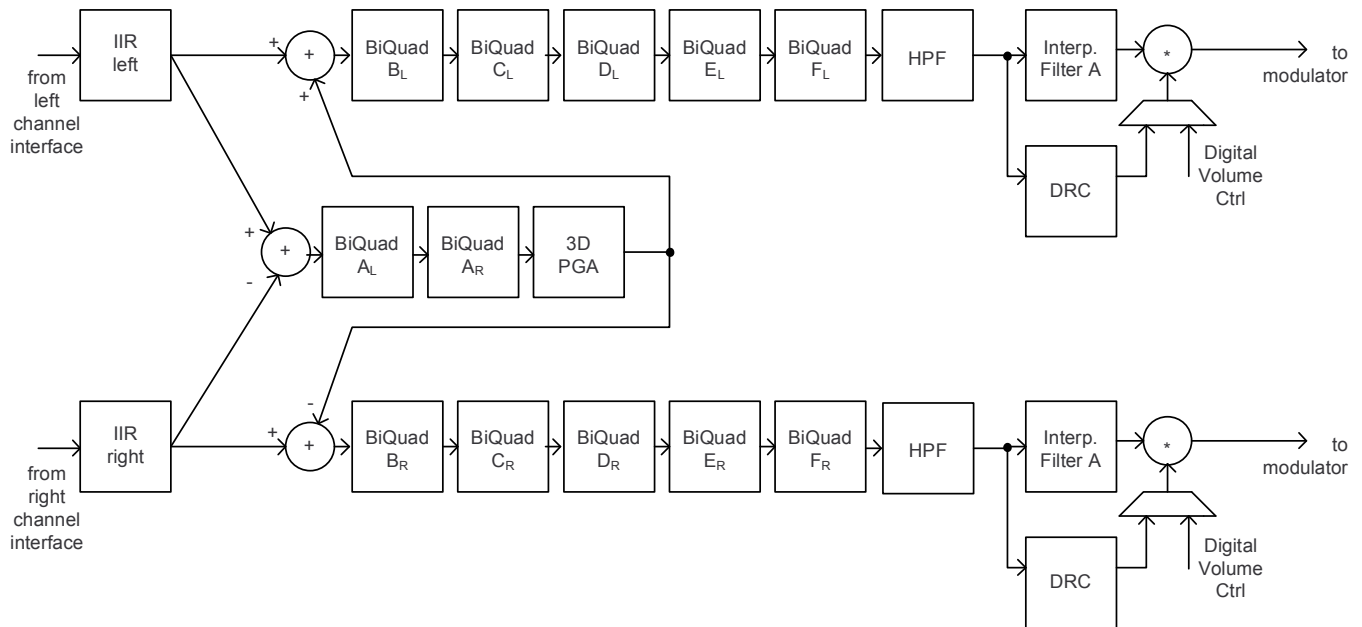
**6.3.10.1.2.9 Two Biquads, 3D, Filter A**



NOTE: A<sub>L</sub> means biquad A of the left channel, and similarly, B<sub>R</sub> means biquad B of the right channel.

**Figure 6-9. Signal Chain for PRB\_P23**

**6.3.10.1.2.10 Five Biquads, DRC, 3D, Filter A**



**Figure 6-10. Signal Chain for PRB\_P24**

6.3.10.1.2.11 Five Biquads, DRC, 3D, Beep Generator, Filter A

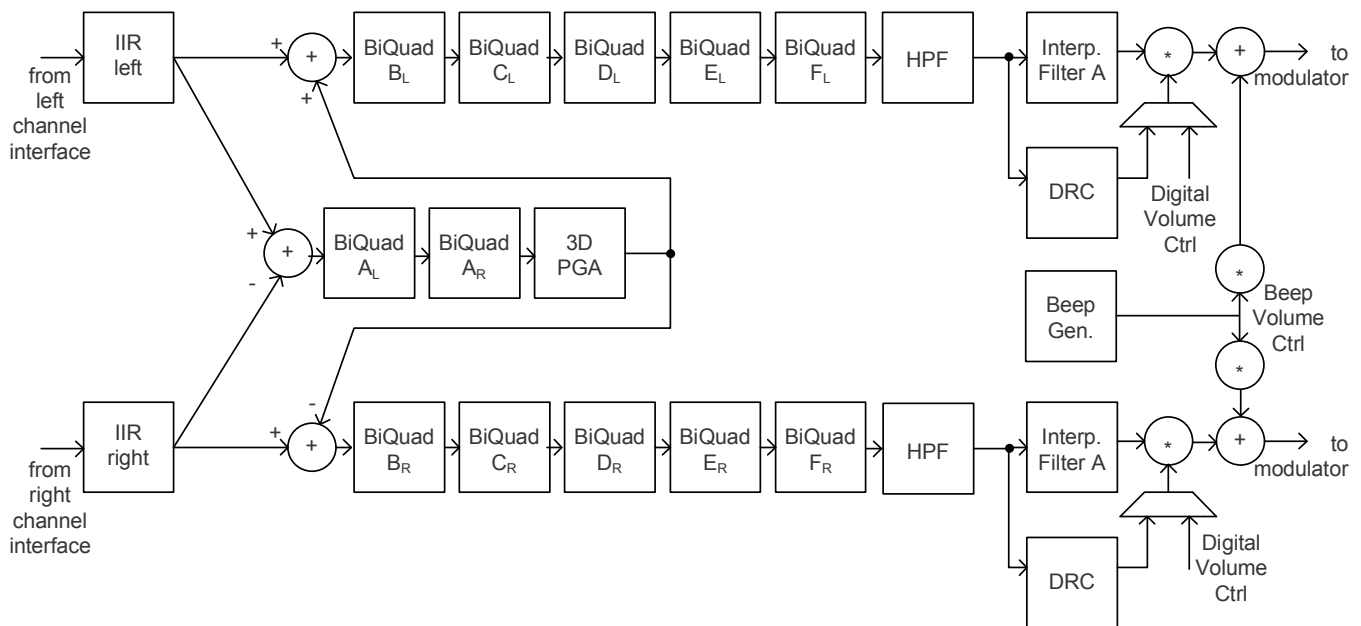


Figure 6-11. Signal Chain for PRB\_P25

6.3.10.1.3 DAC User-Programmable Filters

Based on the selected processing block, different types and orders of digital filtering are available. Up to six biquad sections are available for specific processing blocks.

The coefficients of the available filters are arranged as sequentially-indexed coefficients in two banks. If adaptive filtering is chosen, the coefficient banks can be switched in real time.

When the DAC is running, the user-programmable filter coefficients are locked and cannot be accessed for either read or write.

However, the device offers an adaptive filter mode as well. Setting page 8 / register 1, bit D2 = 1 turns on double buffering of the coefficients. In this mode, filter coefficients are updated through the host and activated without stopping and restarting the DAC which enables advanced adaptive filtering applications.

In the double-buffering scheme, all coefficients are stored in two buffers (buffers A and B). When the DAC is running and the adaptive filtering mode is turned on, setting page 8 / register 1, bit D0 = 1 switches the coefficient buffers at the next start of a sampling period. This bit is set back to 0 after the switch occurs. At the same time, page 8 / register 1, bit D1 toggles.

The flag in page 8 / register 1, bit D1 indicates which of the two buffers is actually in use.

Page 8 / register 1, bit D1 = 0: buffer A is in use by the DAC processing block; bit D1 = 1: buffer B is in use.

While the device is running, coefficient updates are always made to the buffer not in use by the DAC, regardless of the buffer to which the coefficients have been written.

Table 6-12. Adaptive-Mode Filter-Coefficient Buffer Switching

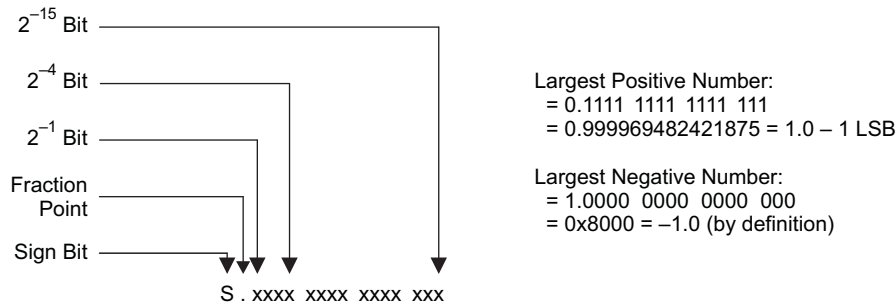
DAC POWERED UP	PAGE 8 / REGISTER 1, BIT D1	COEFFICIENT BUFFER IN USE	WRITING TO	UPDATES
No	0	None	Buffer A (Pages 8 and 9)	Buffer A (Pages 8 and 9)
No	0	None	Buffer B (Pages 12 and 13)	Buffer B (Pages 12 and 13)

**Table 6-12. Adaptive-Mode Filter-Coefficient Buffer Switching (continued)**

DAC POWERED UP	PAGE 8 / REGISTER 1, BIT D1	COEFFICIENT BUFFER IN USE	WRITING TO	UPDATES
Yes	0	Buffer A	Buffer A (Pages 8 and 9)	Buffer B (Pages 12 and 13)
Yes	0	Buffer A	Buffer B (Pages 12 and 13)	Buffer B (Pages 12 and 13)
Yes	1	Buffer B	Buffer A (Pages 8 and 9)	Buffer A (Pages 8 and 9)
Yes	1	Buffer B	Buffer B (Pages 12 and 13)	Buffer A (Pages 8 and 9)

The user-programmable coefficients for the DAC processing blocks are defined on pages 8 and 9 for buffer A and pages 12 and 13 for buffer B.

The coefficients of these filters are each 16-bit, 2s-complement format, occupying two consecutive 8-bit registers in the register space. Specifically, the filter coefficients are in 1.15 (one dot 15) format with a range from -1.0 (0x8000) to 0.999969482421875 (0x7FFF) as shown in [Figure 6-12](#).



**Figure 6-12. 1.15 2s-Complement Coefficient Format**

**6.3.10.1.3.1 First-Order IIR Section**

The IIR is of first order and its transfer function is given by [Equation 1](#).

$$H(z) = \frac{N_0 + N_1z^{-1}}{2^{15} - D_1z^{-1}} \tag{1}$$

The frequency response for the first-order IIR section with default coefficients is flat.

**Table 6-13. DAC IIR Filter Coefficients**

FILTER	COEFFICIENT	LEFT DAC CHANNEL	RIGHT DAC CHANNEL	DEFAULT (RESET) VALUE
First-order IIR	N0	Page 9 / register 2 and page 9 / register 3	Page 9 / register 8 and page 9 / register 9	0x7FFF (decimal 1.0 – LSB value)
	N1	Page 9 / register 4 and page 9 / register 5	Page 9 / register 10 and page 9 / register 11	0x0000
	D1	Page 9 / register 6 and page 9 / register 7	Page 9 / register 12 and page 9 / register 13	0x0000

**6.3.10.1.3.2 Biquad Section**

The transfer function of each of the biquad filters is given by [Equation 2](#).

$$H(z) = \frac{N_0 + 2 \times N_1z^{-1} + N_2z^{-2}}{2^{15} - 2 \times D_1z^{-1} - D_2z^{-2}} \tag{2}$$

**Table 6-14. DAC Biquad Filter Coefficients**

FILTER	COEFFICIENT	LEFT DAC CHANNEL	RIGHT DAC CHANNEL	DEFAULT (RESET) VALUE
Biquad A	N0	Page 8 / register 2 and page 8 / register 3	Page 8 / register 66 and page 8 / register 67	0x7FFF (decimal 1.0 – LSB value)
	N1	Page 8 / register 4 and page 8 / register 5	Page 8 / register 68 and page 8 / register 69	0x0000
	N2	Page 8 / register 6 and page 8 / register 7	Page 8 / register 70 and page 8 / register 71	0x0000
	D1	Page 8 / register 8 and page 8 / register 9	Page 8 / register 72 and page 8 / register 73	0x0000
	D2	Page 8 / register 10 and page 8 / register 11	Page 8 / register 74 and page 8 / register 75	0x0000
Biquad B	N0	Page 8 / register 12 and page 8 / register 13	Page 8 / register 76 and page 8 / register 77	0x7FFF (decimal 1.0 – LSB value)
	N1	Page 8 / register 14 and page 8 / register 15	Page 8 / register 78 and page 8 / register 79	0x0000
	N2	Page 8 / register 16 and page 8 / register 17	Page 8 / register 80 and page 8 / register 81	0x0000
	D1	Page 8 / register 18 and page 8 / register 19	Page 8 / register 82 and page 8 / register 83	0x0000
	D2	Page 8 / register 20 and page 8 / register 21	Page 8 / register 84 and page 8 / register 85	0x0000
Biquad C	N0	Page 8 / register 22 and page 8 / register 23	Page 8 / register 86 and page 8 / register 87	0x7FFF (decimal 1.0 – LSB value)
	N1	Page 8 / register 24 and page 8 / register 25	Page 8 / register 88 and page 8 / register 89	0x0000
	N2	Page 8 / register 26 and page 8 / register 27	Page 8 / register 90 and page 8 / register 91	0x0000
	D1	Page 8 / register 28 and page 8 / register 29	Page 8 / register 92 and page 8 / register 93	0x0000
	D2	Page 8 / register 30 and page 8 / register 31	Page 8 / register 94 and page 8 / register 95	0x0000
Biquad D	N0	Page 8 / register 32 and page 8 / register 33	Page 8 / register 96 and page 8 / register 97	0x7FFF (decimal 1.0 – LSB value)
	N1	Page 8 / register 34 and page 8 / register 35	Page 8 / register 98 and page 8 / register 99	0x0000
	N2	Page 8 / register 36 and page 8 / register 37	Page 8 / register 100 and page 8 / register 101	0x0000
	D1	Page 8 / register 38 and page 8 / register 39	Page 8 / register 102 and page 8 / register 103	0x0000
	D2	Page 8 / register 40 and page 8 / register 41	Page 8 / register 104 and page 8 / register 105	0x0000
Biquad E	N0	Page 8 / register 42 and page 8 / register 43	Page 8 / register 106 and page 8 / register 107	0x7FFF (decimal 1.0 – LSB value)
	N1	Page 8 / register 44 and page 8 / register 45	Page 8 / register 108 and page 8 / register 109	0x0000
	N2	Page 8 / register 46 and page 8 / register 47	Page 8 / register 110 and page 8 / register 111	0x0000
	D1	Page 8 / register 48 and page 8 / register 49	Page 8 / register 112 and page 8 / register 113	0x0000
	D2	Page 8 / register 50 and page 8 / register 51	Page 8 / register 114 and page 8 / register 115	0x0000
Biquad F	N0	Page 8 / register 52 and page 8 / register 53	Page 8 / register 116 and page 8 / register 117	0x7FFF (decimal 1.0 – LSB value)
	N1	Page 8 / register 54 and page 8 / register 55	Page 8 / register 118 and page 8 / register 119	0x0000
	N2	Page 8 / register 56 and page 8 / register 57	Page 8 / register 120 and page 8 / register 121	0x0000
	D1	Page 8 / register 58 and page 8 / register 59	Page 8 / register 122 and page 8 / register 123	0x0000
	D2	Page 8 / register 60 and page 8 / register 61	Page 8 / register 124 and page 8 / register 125	0x0000

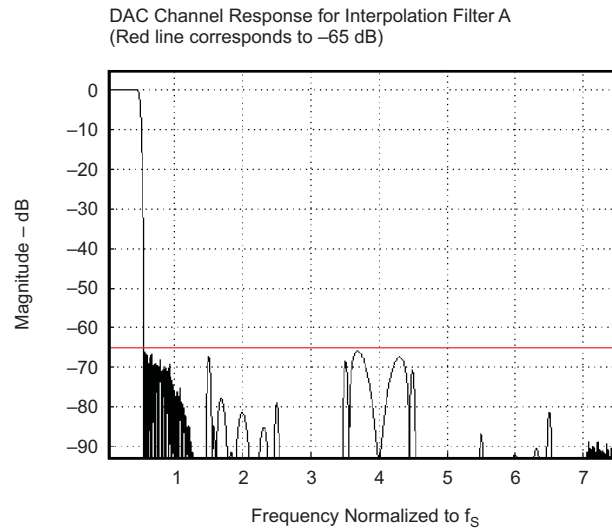
### 6.3.10.1.4 DAC Interpolation Filter Characteristics

#### 6.3.10.1.4.1 Interpolation Filter A

Filter A is designed for an  $f_S$  up to 48 kps with a flat passband of 0 to 20 kHz.

**Table 6-15. Specification for DAC Interpolation Filter A**

PARAMETER	CONDITION	VALUE (TYPICAL)	UNIT
Filter-gain pass band	0 ... 0.45 $f_S$	$\pm 0.015$	dB
Filter-gain stop band	0.55... 7.455 $f_S$	-65	dB
Filter group delay		21 / $f_S$	s



**Figure 6-13. Frequency Response of DAC Interpolation Filter A**

#### 6.3.10.1.4.2 Interpolation Filter B

Filter B is specifically designed for an  $f_S$  of up to 96 kps. Thus, the flat passband region easily covers the required audio band of 0 to 20 kHz.

**Table 6-16. Specification for DAC Interpolation Filter B**

PARAMETER	CONDITION	VALUE (TYPICAL)	UNIT
Filter-gain pass band	0 ... 0.45 $f_S$	$\pm 0.015$	dB
Filter-gain stop band	0.55... 3.45 $f_S$	-58	dB
Filter group delay		18 / $f_S$	s



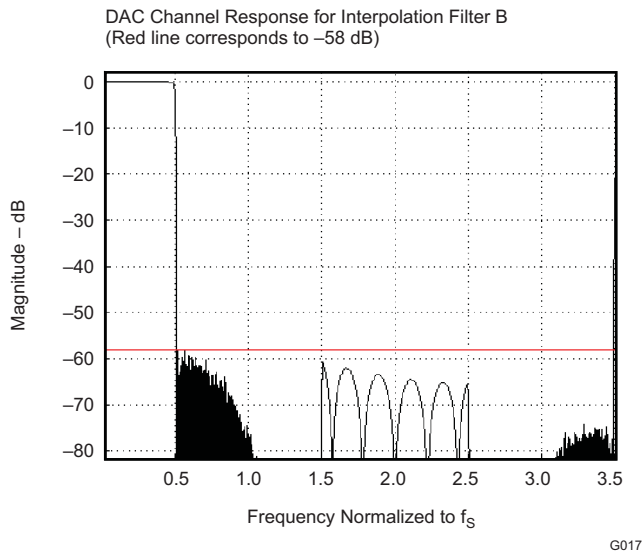


Figure 6-14. Frequency Response of Channel Interpolation Filter B

6.3.10.1.4.3 Interpolation Filter C

Filter C is specifically designed for the 192-kbps mode. The pass band extends up to  $0.4 \times f_s$  (corresponds to 80 kHz), more than sufficient for audio applications.

Table 6-17. Specification for DAC Interpolation Filter C

PARAMETER	CONDITION	VALUE (TYPICAL)	UNIT
Filter-gain pass band	$0 \dots 0.35 f_s$	$\pm 0.03$	dB
Filter-gain stop band	$0.6 \dots 1.4 f_s$	-43	dB
Filter group delay		$13 / f_s$	s

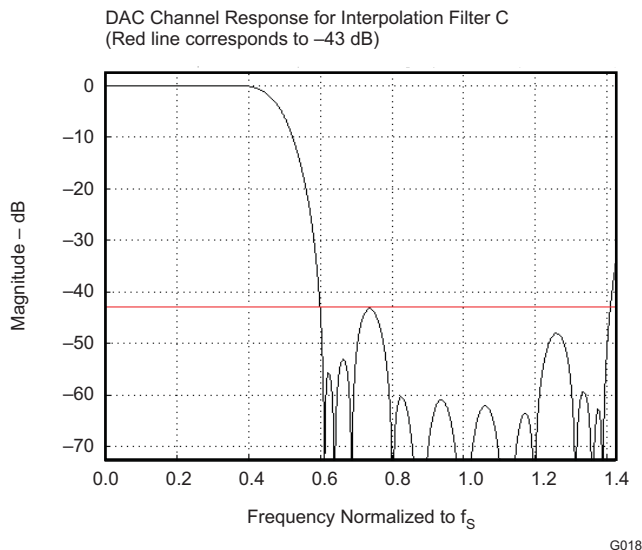


Figure 6-15. Frequency Response of DAC Interpolation Filter C

### 6.3.10.2 DAC Digital-Volume Control

The DAC has a digital-volume control block which implements programmable gain. Each channel has an independent volume control that can be varied from 24 dB to –63.5 dB in 0.5-dB steps. The left-channel DAC volume is controlled by writing to page 0 / register 65, bits D7–D0. The right-channel DAC volume can be controlled by writing to page 0 / register 66, bits D7–D0. DAC muting and setting up a master gain control to control both channels occurs by writing to page 0 / register 64, bits D3–D0. The gain is implemented with a soft-stepping algorithm, which only changes the actual volume by 0.125 dB per input sample, either up or down, until the desired volume is reached. The rate of soft-stepping is slowed to one step per two input samples by writing to page 0 / register 63, bits D1–D0. Note that the default source for volume-control level settings is control by register writes (page 0 / register 65 and page 0 / register 66 to control volume). Use of the VOL/MICDET pin to control the DAC volume is ignored until the volume control source selected has been changed to pin control (page 0 / register 116, bit D7 = 1). This functionality is shown in [Figure 1-1](#).

During soft-stepping, the host does not receive a signal when the DAC has been completely muted. This may be important if the host must mute the DAC before making a significant change, such as changing sample rates. In order to help with this situation, the device provides a flag back to the host through a read-only register, page 0 / register 38, bit D4 for the left channel and bit D0 for the right channel. This information alerts the host when the part has completed the soft-stepping and the actual volume has reached the desired volume level. The soft-stepping feature can be disabled by writing to page 0 / register 63, bits D1–D0.

If soft-stepping is enabled, the CODEC\_CLKIN signal must be kept active until the DAC power-up flag is cleared. When this flag is cleared, the internal DAC soft-stepping process is complete, and CODEC\_CLKIN can be stopped if desired. (The analog volume control can be ramped down using an internal oscillator.)

### 6.3.10.3 Volume Control Pin

The volume-control pin is not enabled by default but is enabled by writing 1 to page 0 / register 116, bit D7. The default DAC volume control uses software control of the volume, which occurs if page 0 / register 116, bit D7 = 0. Soft-stepping the volume level is set up by writing to page 0 / register 63, bits D1–D0.

When the volume-pin function is used, a 7-bit Vol ADC reads the voltage on the VOL/MICDET pin and updates the digital volume control by overwriting the current value of the volume control. The new volume setting which has been applied because of a change of voltage on the volume control pin is read on page 0 / register 117, bits D6–D0. The 7-bit Vol ADC clock source is selected on page 0 / register 116, bit D6. The update rate is programmed on page 0 / register 116, bits D2–D0 for this 7-bit SAR ADC.

[Table 6-18](#) lists The VOL/MICDET pin gain mapping.

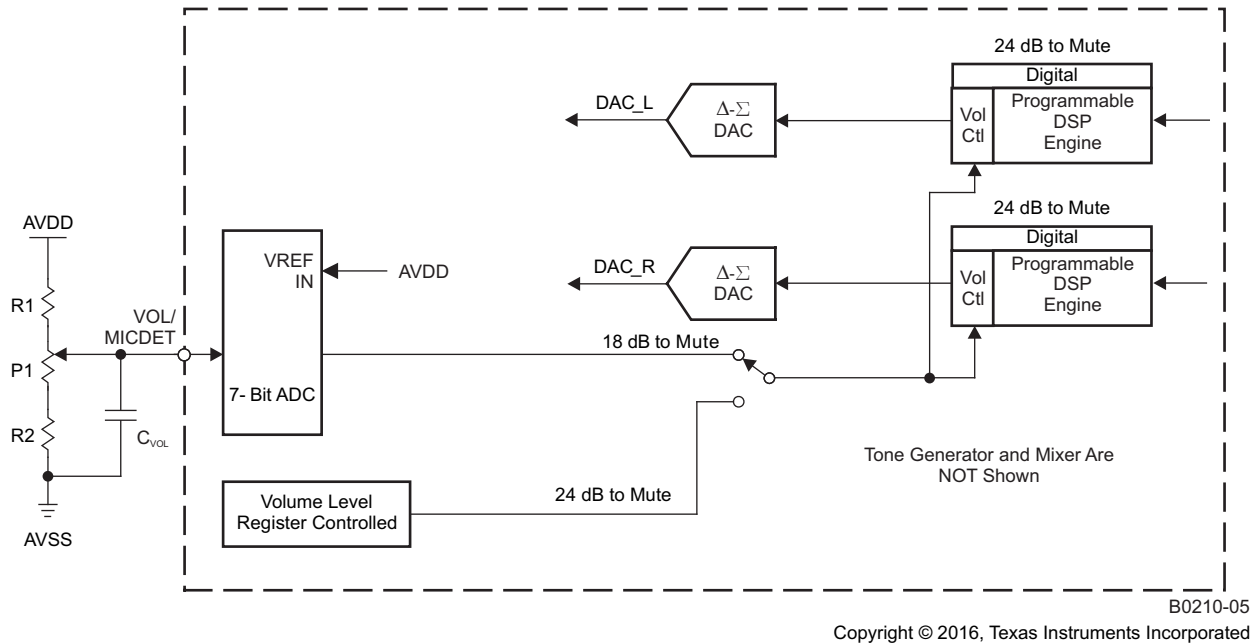
**Table 6-18. VOL/MICDET Pin Gain Mapping**

VOL/MICDET PIN SAR OUTPUT	DIGITAL GAIN APPLIED
0	18 dB
1	17.5 dB
2	17 dB
:	:
35	0.5 dB
36	0.0 dB
37	–0.5 dB
:	:
89	–26.5 dB
90	–27 dB

**Table 6-18. VOL/MICDET Pin Gain Mapping (continued)**

VOL/MICDET PIN SAR OUTPUT	DIGITAL GAIN APPLIED
91	–28 dB
:	:
125	–62 dB
126	–63 dB
127	Mute

Figure 6-16 shows the VOL/MICDET pin connection and functionality.



**Figure 6-16. Digital Volume Controls for Beep Generator and DAC Play Data**

As shown in Table 6-18, the VOL/MICDET pin has a range of volume control from 18 dB down to –63 dB, and mute. However, if less maximum gain is required, then a smaller range of voltage must be applied to the VOL/MICDET pin. Applying a smaller range of voltage occurs by increasing the value of R2 relative to the value of (P1 + R1), so that more voltage is available at the bottom of P1. The circuit must also be designed such that for the values of R1, R2, and P1 chosen, the maximum voltage (top of the potentiometer) does not exceed AVDD/2 (see Figure 6-16). The recommended values for R1, R2, and P1 for several maximum gains are shown in Table 6-19.

**Table 6-19. VOL/MICDET Pin Gain Scaling**

R1 (kΩ)	P1 (kΩ)	R2 (kΩ)	ADC VOLTAGE for AVDD = 3.3 V (V)	DIGITAL GAIN RANGE (dB)
25	25	0	0 to 1.65	18 to –63
33	25	7.68	0.386 to 1.642	3 to –63
34.8	25	9.76	0.463 to 1.649	0 to –63

### 6.3.10.4 Dynamic Range Compression

Typical music signals are characterized by crest factors, the ratio of peak signal power to average signal power, of 12 dB or more. To avoid audible distortions due to clipping of peak signals, the gain of the DAC channel must be adjusted so as not to cause hard clipping of peak signals. As a result, during nominal periods, the applied gain is low, causing the perception that the signal is not loud enough. To overcome this problem, dynamic range compression (DRC) continuously monitors the output of the DAC digital volume control to detect its power level relative to 0 dBFS. When the power level is low, DRC increases the input signal gain to make it sound louder. At the same time, if a peaking signal is detected, it autonomously reduces the applied gain to avoid hard clipping. This results in sounds more pleasing to the ear as well as sounding louder during nominal periods.

The DRC functionality in the is implemented by a combination of processing blocks in the DAC channel as described in [Section 6.3.10.1.2](#).

DRC can be disabled by writing to page 0 / register 68, bits D6–D5.

DRC typically works on the filtered version of the input signal. The input signals have no audio information at dc and extremely low frequencies; however, they can significantly influence the energy estimation function in the dynamic range compressor (the DRC). Also, most of the information about signal energy is concentrated in the low-frequency region of the input signal.

To estimate the energy of the input signal, the signal is first fed to the DRC high-pass filter and then to the DRC low-pass filter. These filters are implemented as first-order IIR filters given by

$$H_{\text{HPF}}(z) = \frac{N_0 + N_1 z^{-1}}{2^{15} - D_1 z^{-1}} \quad (3)$$

$$H_{\text{LPF}}(z) = \frac{N_0 + N_1 z^{-1}}{2^{15} - D_1 z^{-1}} \quad (4)$$

The coefficients for these filters are 16 bits wide in 2s-complement format and are user-programmable through register write as given in [Table 6-20](#).

**Table 6-20. The DRC HPF and LPF Coefficients**

COEFFICIENT	LOCATION
HPF N0	C71 page 9 / register 14 and page 9 / register 15
HPF N1	C72 page 9 / registers 16 and page 9 / register 17
HPF D1	C73 page 9 / registers 18 and page 9 / register 19
LPF N0	C74 page 9 / registers 20 and page 9 / register 21
LPF N1	C75 page 9 / registers 22 and page 9 / register 23
LPF D1	C76 page 9 / registers 24 and page 9 / register 25

The default values of these coefficients implement a high-pass filter with a cutoff at  $0.00166 \times \text{DAC}_{f_s}$ , and a low-pass filter with a cutoff at  $0.00033 \times \text{DAC}_{f_s}$ .

The output of the DRC high-pass filter is fed to the processing block selected for the DAC channel. The absolute value of the DRC LPF filter is used for energy estimation within the DRC.

The gain in the DAC digital volume control is controlled by page 0 / register 65 and page 0 / register 66. When the DRC is enabled, the applied gain is a function of the digital volume control register setting and the output of the DRC.

The DRC parameters are described in sections that follow.

#### 6.3.10.4.1 DRC Threshold

DRC threshold represents the level of the DAC playback signal at which the gain compression becomes active. The output of the digital volume control in the DAC is compared with the set threshold. The threshold value is programmable by writing to page 0 / register 68, bits D4–D2. The threshold value can be adjusted between –3 dBFS and –24 dBFS in steps of 3 dB. Keeping the DRC threshold value too high may not leave enough time for the DRC block to detect peaking signals, and can cause excessive distortion at the outputs. Keeping the DRC threshold value too low can limit the perceived loudness of the output signal.

The recommended DRC threshold value is –24 dB.

When the output signal exceeds the set DRC threshold, the interrupt flag bits at page 0 / register 44, bits D3–D2 are updated. These flag bits are *sticky* in nature, and are reset only after they are read back by the user. The non-sticky versions of the interrupt flags are also available at page 0 / register 46, bits D3–D2.

#### 6.3.10.4.2 DRC Hysteresis

DRC hysteresis is programmable by writing to page 0 / register 68, bits D1–D0. These bits can be programmed to represent values between 0 dB and 3 dB in steps of 1dB. DRC hysteresis provides a programmable window around the programmed DRC threshold that must be exceeded for the *disabled* DRC to become enabled, or the *enabled* DRC to become disabled. For example, if the DRC threshold is set to –12 dBFS and the DRC hysteresis is set to 3 dB, then if the gain compression in the DRC is inactive, the output of the DAC digital volume control must exceed –9 dBFS before gain compression due to the DRC is activated. Similarly, when the gain compression in the DRC is active, the output of the DAC digital volume control must fall below –15 dBFS for gain compression in the DRC to be deactivated. The DRC hysteresis feature prevents the rapid activation and de-activation of gain compression in the DRC in cases when the output of the DAC digital volume control rapidly fluctuates in a narrow region around the programmed DRC threshold. By programming the DRC hysteresis as 0 dB, the hysteresis action is disabled.

The recommended value of DRC hysteresis is 3 dB.

#### 6.3.10.4.3 DRC Hold Time

DRC hold time is intended to slow the start of decay for a specified period of time in response to a decrease in energy level. To minimize audible artifacts, TI recommends to set the DRC hold time to 0 through programming page 0 / register 69, bits D6–D3 = 0000.

#### 6.3.10.4.4 DRC Attack Rate

When the output of the DAC digital volume control exceeds the programmed DRC threshold, the gain applied in the DAC digital volume control is progressively reduced to avoid the signal from saturating the channel. This process of reducing the applied gain is called *attack*. To avoid audible artifacts, the gain is reduced slowly with a rate equaling the attack rate, programmable via page 0 / register 70, bits D7–D4. Attack rates can be programmed from 4-dB gain change per sample period to 1.2207e–5-dB gain change per sample period.

Attack rates should be programmed such that before the output of the DAC digital volume control can clip, the input signal should be sufficiently attenuated. High attack rates can cause audible artifacts, and too-slow attack rates may not be able to prevent the input signal from clipping.

The recommended DRC attack rate value is 1.9531e–4 dB per sample period.

#### 6.3.10.4.5 DRC Decay Rate

When the DRC detects a reduction in output signal swing beyond the programmed DRC threshold, the DRC enters a decay state, where the applied gain in the digital-volume control is gradually increased to programmed values. To avoid audible artifacts, the gain is slowly increased with a rate equal to the decay rate programmed through page 0 / register 70, bits D3–D0. The decay rates can be programmed from  $1.5625e-3$  dB per sample period to  $4.7683e-7$  dB per sample period. If the decay rates are programmed too high, then sudden gain changes can cause audible artifacts. However, if it is programmed too slow, then the output may be perceived as too low for a long time after the peak signal has passed.

The recommended value of DRC decay rate is  $2.4414e-5$  dB per sample period.

#### 6.3.10.4.6 Example Setup for DRC

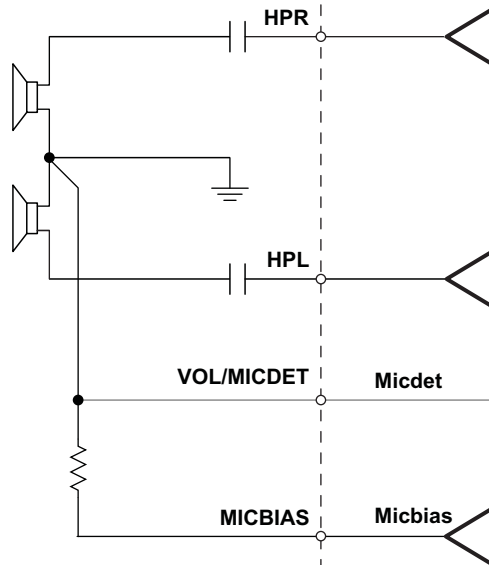
- Digital Vol gain = 12 dB
- Threshold = -24 dB
- Hysteresis = 3 dB
- Hold time = 0 ms
- Attack rate =  $1.9531e-4$  dB per sample period
- Decay rate =  $2.4414e-5$  dB per sample period

#### Script

```
#Go to Page 0
w 30 00 00
#DAC => 12 db gain left
w 30 41 18
#DAC => 12 db gain right
w 30 42 18
#DAC => DRC Enabled for both channels, Threshold = -24 db, Hysteresis = 3 dB
w 30 44 7F
#DRC Hold = 0 ms, Rate of Changes of Gain = 0.5 dB/Fs'
w 30 45 00
#Attack Rate = 1.9531e-4 dB/Frame , DRC Decay Rate =2.4414e-5 dB/Frame
w 30 46 B6
#Go to Page 9
w 30 00 09
#DRC HPF
w 30 0E 7F AB 80 55 7F 56
#DRC LPF W 30 14 00 11 00 11 7F DE
```

#### 6.3.10.5 Headphone Detection

The device includes capability to monitor a headphone jack to determine if a plug has been inserted into the jack. The device also includes the capability to detect a button press, even, for example, when starting calls on mobile phones with headsets. [Figure 6-17](#) shows the circuit configuration to enable this feature.



**Figure 6-17. Jack Connections for Headphone Detection**

Headphone Detection is enabled by programming page 0 / register 67, bit D1. In order to avoid false detections because of mechanical vibrations in headset jacks or microphone buttons, a debounce function is provided for glitch rejection. For the case of headset insertion, a debounce function with a range of 32 ms to 512 ms is provided. This can be programmed through page 0 / register 67, bits D4–D2. For improved button-press detection, the debounce function has a range of 8 ms to 32 ms by programming page 0 / register 67, bits D1–D0.

The device also provides feedback to the user through register-readable flags as well as an interrupt on the I/O pins when a button press or a headset insertion or removal event is detected. The value in page 0 / register 46, bits D5–D4 provides the instantaneous state of button press and headset insertion. Page 0 / register 44, bit D5 is a sticky (latched) flag that is set when the button-press event is detected. Page 0 / register 44, bit D4 is a sticky flag which is set when the headset insertion or removal event is detected. These sticky flags are set by the event occurrence, and are reset only when read. This requires polling page 0 / register 44. To avoid polling and the associated overhead, the device also provides an interrupt feature, whereby events can trigger the INT1, the INT2, or both interrupts. These interrupt events can be routed to one of the digital output pins. See [Section 6.3.10.6](#) for details.

The device not only detects a headset insertion event, but also is able to distinguish between the different headsets inserted, such as stereo headphones or cellular headphones. After the headset-detection event, the user can read page 0 / register 67, bits D6–D5 to determine the type of headset inserted.

**Table 6-21. Headphone Detection Block Registers**

REGISTER	DESCRIPTION
Page 0 / register 67, bit D1	Headset-detection enable/disable
Page 0 / register 67, bits D4–D2	Debounce programmability for headset detection
Page 0 / register 67, bits D1–D0	Debounce programmability for button press
Page 0 / register 44, bit D5	Sticky flag for button-press event
Page 0 / register 44, bit D4	Sticky flag for headset-insertion or -removal event
Page 0 / register 46, bit D5	Status flag for button-press event
Page 0 / register 46, bit D4	Status flag for headset insertion and removal
Page 0 / register 67, bits D6–D5	Flags for type of headset detected



The headset detection block requires AVDD to be powered. The headset detection feature in the device is achieved with very low power overhead, requiring less than 20  $\mu$ A of additional current from the AVDD supply.

### 6.3.10.6 Interrupts

Some specific events in the device that can require host processor intervention are used to trigger interrupts to the host processor. This avoids polling the status-flag registers continuously. The device has two defined interrupts, INT1 and INT2, that are configured by programming page 0 / register 48 and page 0 / register 49. A user can configure interrupts INT1 and INT2 to be triggered by one or many events, such as:

- Headset detection
- Button press
- DAC DRC signal exceeding threshold
- Overcurrent condition in headphone drivers and speaker drivers
- Data overflow in the DAC processing blocks and filters

Each of these INT1 and INT2 interrupts can be routed to output pin GPIO1. These interrupt signals can either be configured as a single pulse or a series of pulses by programming page 0 / register 48, bit D0 and page 0 / register 49, bit D0. If the user configures the interrupts as a series of pulses, the events trigger the start of pulses that stop when the flag registers in page 0 / registers 44, 45, and 50 are read by the user to determine the cause of the interrupt.

### 6.3.10.7 Key-Click Functionality With Digital Sine-Wave Generator (PRB\_P25)

A special algorithm has been included in the digital signal processing block PRB\_P25 for generating a digital sine-wave signal that is sent to the DAC. The digital sine-wave generator is also referred to as the beep generator in this document.

This functionality is intended for generating key-click sounds for user feedback. The sine-wave generator is very flexible (see [Table 6-22](#)) and is completely register programmable. Programming page 0 / register 71 through page 0 / register 79 (8 bits each) completely controls the functionality of this generator and allows for differentiating sounds.

The two registers used for programming the 16-bit sine-wave coefficient are page 0 / register 76 and page 0 / register 77. The two registers used for programming the 16-bit cosine-wave coefficient are page 0 / register 78 and page 0 / register 79. This coefficient resolution allows virtually any frequency of sine wave in the audio band to be generated, up to  $f_s / 2$ .

The three registers used to control the length of the sine-burst waveform are page 0 / register 73 through page 0 / register 75. The resolution (bit) in the registers of the sine-burst length is one sample time, so this allows great control on the overall time of the sine-burst waveform. This 24-bit length timer supports 16 777 215 sample times. For example, if  $f_s$  is set at 48 kHz, and the register value equals 96 000 d (01 7700h), then the sine burst lasts exactly 2 seconds. The default settings for the tone generator, based on using a sample rate of 48 kHz, are 1-kHz (approximately) sine wave, with a sine-burst length of five cycles (5 ms).

**Table 6-22. Beep Generator Register Locations (Page 0x00)**

	LEFT BEEP CONTROL	RIGHT BEEP CONTROL	BEEP LENGTH			SINE		COSINE	
			MSB	MID	LSB	MSB	LSB	MSB	LSB
REGISTER	71	72	73	74	75	76	77	78	79



**Table 6-23. Example Beep-Generator Settings for a 1000-Hz Tone**

BEEP FREQUENCY	BEEP LENGTH			SINE		COSINE		SAMPLE RATE
Hz	MSB (hex)	MID (hex)	LSB (hex)	MSB (hex)	LSB (hex)	MSB (hex)	LSB (hex)	Hz
1000 <sup>(1)</sup>	0	0	EE	10	D8	7E	E3	48 000

(1) These are the default settings.

Two registers are used to control the left sine-wave volume and the right sine-wave volume independently. The 6-bit digital volume control used allows level control of 2 dB to –61 dB in 1-dB steps. The left-channel volume is controlled by writing to page 0 / register 71, bits D5–D0. The right-channel volume is controlled by writing to page 0, register 72, bits D5–D0. A master volume control that controls the left and right channels of the beep generator are set up by writing to page 0 / register 72, bits D7–D6. The default volume control setting is 2 dB, which provides the maximum tone-generator output level.

For generating other tones, the three tone-generator coefficients are found by running the following script using MATLAB™ :

```
Sine = dec2hex(round(sin(2*pi*Fin/Fs)*2^15))
Cosine = dec2hex(round(cos(2*pi*Fin/Fs)*2^15))
Beep Length = dec2hex(floor(Fs*Cycle/Fin))
```

where,

Fin = Beep frequency desired

Fs = Sample rate

Cycle = Number of beep (sine wave) cycles that are required

dec2hex = Decimal to hexadecimal conversion function

NOTES:

1. Fin must be less than Fs / 4.
2. For the sine and cosine values, if the number of bits is less than the full 16-bit value, then the unused MSBs must be written as 0s.
3. For the beep-length values, if number of bits is less than the full 24-bit value, then the unused MSBs must be written as 0s.

Following the beep-volume control is a digital mixer that mixes in a playback data stream whose level has already been set by the DAC volume control. Therefore, once the key-click volume level is set, the key-click volume is not affected by the DAC volume control, which is the main control available to the end user. [Figure 1-1](#) shows this functionality.

Following the DAC, the signal can be further scaled by the analog output volume control and power-amplifier level control.

To insert a beep in the middle of an already-playing signal over DAC, use the following sequence.

Before the beep is desired, program the desired beep frequency, volume, and length in the configuration registers. When a beep is desired, use the example configuration script.

```
w 30 00 00          # change to Page 0
w 30 40 0C          # mute DACs
f 30 26 xxxlxxx1    # wait for DAC gain flag to be set
w 30 0B 02          # power down NDAC divider
w 30 47 80          # enable beep generator with left channel volume = 0dB, volume level could
                    # be different as per requirement
w 30 0B 82          # power up NDAC divider, in this specific example NDAC = 2, but NDAC could
                    # be different value as per overall setup
w 30 40 00          # un-mute DAC to resume playing audio
```

Note that in this scheme the audio signal on the DAC is temporarily muted to enable beep generation. Because powering down of NDAC clock divider is required, do not use the DAC\_CLK or DAC\_MOD\_CLK for generation of I<sup>2</sup>S clocks.

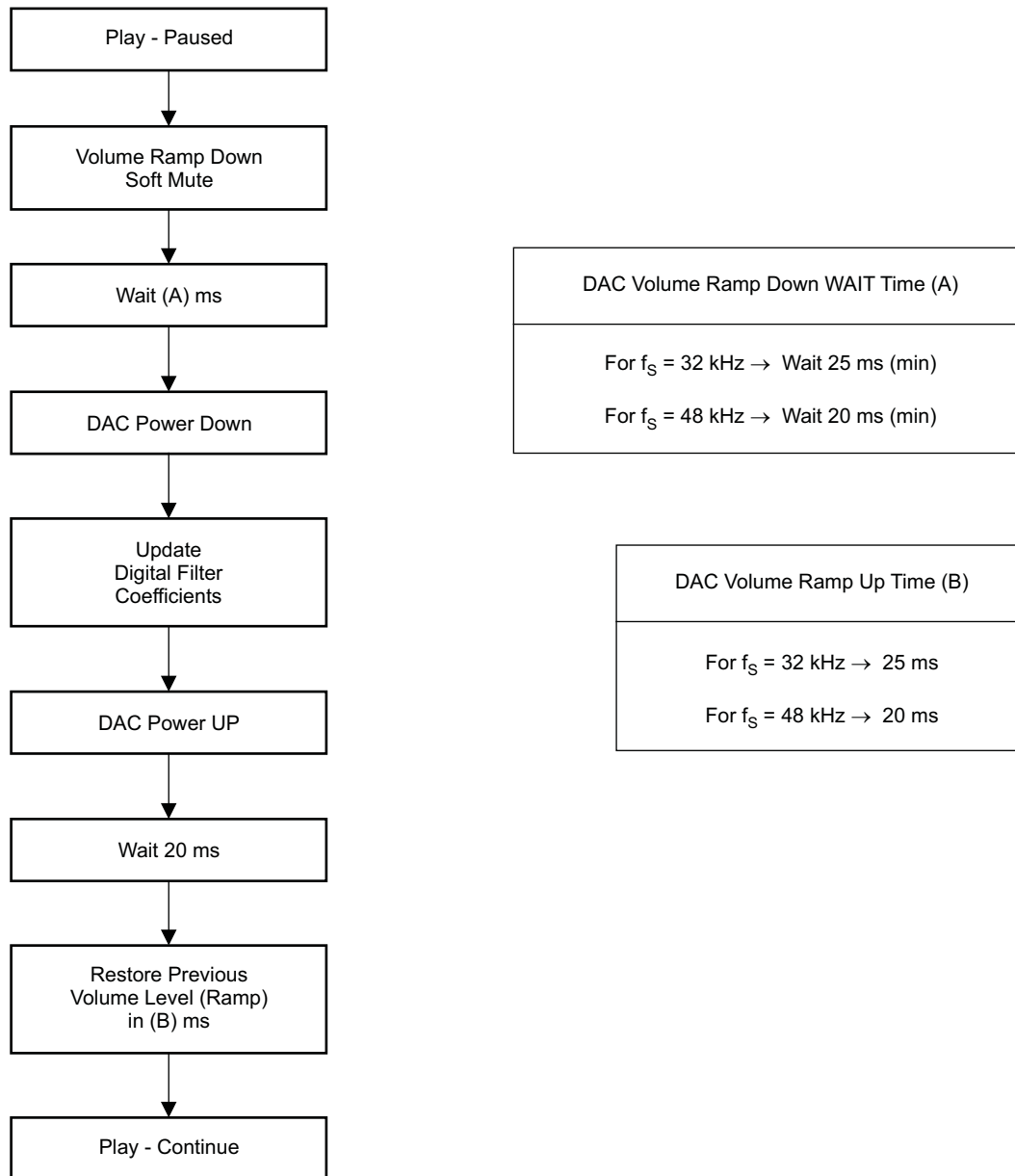
### 6.3.10.8 Programming DAC Digital Filter Coefficients

The digital filter coefficients must be programmed through the I<sup>2</sup>C interface. All digital filtering for the DAC signal path must be loaded into the RAM before the DAC is powered on. Note that default ALLPASS filter coefficients for programmable biquads are located in boot ROM. The boot ROM automatically loads the default values into the RAM following a hardware reset (toggling the  $\overline{\text{RESET}}$  pin) or after a software reset. After resetting the device, loading boot ROM coefficients into the digital filters requires 100  $\mu\text{s}$  of programming time. During this time, reading or writing to page 8 through page 15 for updating DAC filter coefficient values is not permitted. The DAC should not be powered up until after all of the DAC configurations have been done by the system microprocessor.

### 6.3.10.9 Updating DAC Digital Filter Coefficients During PLAY

When it is required to update the DAC digital filter coefficients or beep generator during play, care must be taken to avoid click and pop noise or even a possible oscillation noise. These artifacts can occur if the DAC coefficients are updated without following the proper update sequence. The correct sequence is shown in [Figure 6-18](#). The values for times listed in [Figure 6-18](#) are conservative and should be used for software purposes.

There is also an adaptive mode, in which DAC coefficients can be updated while the DAC is on. For details, see [Section 6.3.10.1.3](#).



F0024-02

Figure 6-18. Example Flow For Updating DAC Digital Filter Coefficients During Play

### 6.3.10.10 Digital Mixing and Routing

The has four digital mixing blocks. Each mixer can provide either mixing or multiplexing of the digital audio data. This arrangement of digital mixers allows independent volume control for both the playback data and the key-click sound. The first set of mixers can be used to make monaural signals from left and right audio data, or they can even be used to swap channels to the DAC. This function is accomplished by selecting left audio data for the right DAC input, and right data for the left DAC input. The second set of mixers provides mixing of the audio data stream and the key-click sound. The digital routing can be configured by writing to page 0 / register 63, bits D5–D4 for the left channel and bits D3–D2 for the right channel.

Because the key-click function uses the digital signal processing block, the CODEC\_CLKIN, DAC, analog volume control, and output driver must be powered on for the key-click sound to occur.

### 6.3.10.11 Analog Audio Routing

The has the capability to route the DAC output to either the headphone or the speaker output. If desirable, both output drivers can operate at the same time while playing at different volume levels. The provides various digital routing capabilities, allowing digital mixing or even channel swapping in the digital domain. All analog outputs other than the selected ones can be powered down for optimal power consumption.

#### 6.3.10.11.1 Analog Output Volume Control

The output volume control fine tunes the level of the mixer amplifier signal supplied to the headphone driver or the speaker driver. This architecture supports separate and concurrent volume levels for each of the four output drivers. This volume control is also used as part of the output pop-noise reduction scheme. This feature is available even if the DAC is powered down.

#### 6.3.10.11.2 Headphone Analog-Output Volume Control

For the headphone outputs, the analog volume control has a range from 0 dB to –78 dB in 0.5-dB steps for most of the useful range plus mute, which is shown in [Table 6-24](#). This volume control includes soft-stepping logic. Routing the left-channel DAC output signal to the left-channel analog volume control occurs by writing to page 1 / register 35, bit D6. Routing the right-channel DAC output signal to the right-channel analog volume control occurs by writing to page 1 / register 35, bit D2.

Changing the left-channel analog volume for the headphone is controlled by writing to page 1 / register 36, bits D6–D0. Changing the right-channel analog volume for the headphone is controlled by writing to page 1 / register 37, bits D6–D0. Routing the signal from the output of the left-channel analog volume control to the input of the left-channel headphone power amplifier occurs by writing to page 1 / register 36, bit D7. Routing the signal from the output of the right-channel analog volume control to the input of the right-channel headphone power amplifier occurs by writing to page 1 / register 37, bit D7.

The analog volume-control soft-stepping time is based on the setting in page 0 / register 63, bits D1–D0.

**Table 6-24. Analog Volume Control for Headphone and Speaker Outputs (for D7 = 1)<sup>(1)</sup>**

REGISTER VALUE (D6–D0)	ANALOG GAIN (dB)	REGISTER VALUE (D6–D0)	ANALOG GAIN (dB)	REGISTER VALUE (D6–D0)	ANALOG GAIN (dB)	REGISTER VALUE (D6–D0)	ANALOG GAIN (dB)
0	0	30	–15	60	–30.1	90	–45.2
1	–0.5	31	–15.5	61	–30.6	91	–45.8
2	–1	32	–16	62	–31.1	92	–46.2
3	–1.5	33	–16.5	63	–31.6	93	–46.7
4	–2	34	–17	64	–32.1	94	–47.4
5	–2.5	35	–17.5	65	–32.6	95	–47.9
6	–3	36	–18.1	66	–33.1	96	–48.2
7	–3.5	37	–18.6	67	–33.6	97	–48.7
8	–4	38	–19.1	68	–34.1	98	–49.3
9	–4.5	39	–19.6	69	–34.6	99	–50
10	–5	40	–20.1	70	–35.2	100	–50.3
11	–5.5	41	–20.6	71	–35.7	101	–51
12	–6	42	–21.1	72	–36.2	102	–51.4
13	–6.5	43	–21.6	73	–36.7	103	–51.8
14	–7	44	–22.1	74	–37.2	104	–52.2
15	–7.5	45	–22.6	75	–37.7	105	–52.7
16	–8	46	–23.1	76	–38.2	106	–53.7
17	–8.5	47	–23.6	77	–38.7	107	–54.2
18	–9	48	–24.1	78	–39.2	108	–55.3
19	–9.5	49	–24.6	79	–39.7	109	–56.7
20	–10	50	–25.1	80	–40.2	110	–58.3
21	–10.5	51	–25.6	81	–40.7	111	–60.2
22	–11	52	–26.1	82	–41.2	112	–62.7
23	–11.5	53	–26.6	83	–41.7	113	–64.3
24	–12	54	–27.1	84	–42.1	114	–66.2
25	–12.5	55	–27.6	85	–42.7	115	–68.7
26	–13	56	–28.1	86	–43.2	116	–72.2
27	–13.5	57	–28.6	87	–43.8	117–127	–78.3
28	–14	58	–29.1	88	–44.3		
29	–14.5	59	–29.6	89	–44.8		

(1) Mute when D7 = 0 and D6–D0 = 127 (0x7F).

### 6.3.10.11.3 Class-D Speaker Analog Output Volume Control

For the speaker outputs, the analog volume control has a range from 0 dB to –78 dB in 0.5-dB steps for most of the useful range plus mute, as seen in [Table 6-24](#). The implementation includes soft-stepping logic.

Routing the left-channel DAC output signal to the left-channel analog volume control is done by writing to page 1 / register 35, bit D6. Routing the right-channel DAC output signal to the right-channel analog volume control is done by writing to page 1 / register 35, bit D2. Changing the left-channel analog volume for the speaker is controlled by writing to page 1 / register 38, bits D6–D0. Changing the right-channel analog volume for the speaker is controlled by writing to page 1 / register 39, bits D6–D0.

Routing the signal from the output of the left-channel analog volume control to the input of the left-channel speaker amplifier is done by writing to page 1 / register 38, bit D7. Routing the signal from the output of the right-channel analog volume control to the input of the right-channel speaker amplifier is done by writing to page 1 / register 39, bit D7.

The analog volume-control soft-stepping time is based on the setting in page 0 / register 63, bits D1–D0.

### 6.3.10.12 Analog Outputs

Various analog routings are supported for playback. All the options can be conveniently viewed on the functional block diagram, [Figure 1-1](#).

#### 6.3.10.12.1 Headphone Drivers

The device features a stereo headphone driver (HPL and HPR) that delivers up to 30 mW per channel, at 3.3-V supply voltage, into a 16- $\Omega$  load. The headphones are used in a single-ended configuration where an ac-coupling capacitor (dc-blocking) is connected between the device output pins and the headphones. The headphone driver also supports 32- $\Omega$  and 10-k $\Omega$  loads without changing any control register settings.

The headphone drivers can be configured to optimize the power consumption in the lineout-drive mode by writing 11 to page 1 / register 44, bits D2–D1.

The output common mode of the headphone and lineout drivers is programmed to 1.35 V, 1.5 V, 1.65 V, or 1.8 V by setting page 1 / register 31, bits D4–D3. Set the common-mode voltage to  $\leq AVDD / 2$ .

The left headphone driver can be powered on by writing to page 1 / register 31, bit D7. The right headphone driver can be powered on by writing to page 1 / register 31, bit D6. The left-output driver gain can be controlled by writing to page 1 / register 40, bits D6–D3, and it can be muted by writing to page 1 / register 40, bit D2. The right-output driver gain can be controlled by writing to page 1 / register 41, bits D6–D3, and it can be muted by writing to page 1 / register 41, bit D2.

The device has a short-circuit protection feature for the headphone drivers, which is always enabled to provide protection. The output condition of the headphone driver during short circuit is programmed by writing to page 1 / register 31, bit D1. If D1 = 0 when a short circuit is detected, the device limits the maximum current to the load. If D1 = 1 when a short circuit is detected, the device powers down the output driver. The default condition for headphones is the current-limiting mode. In case of a short circuit on either channel, the output is disabled and a status flag is provided as read-only bits on page 1 / register 31, bit D0. If shutdown mode is enabled, then as soon as the short circuit is detected, page 1 / register 31, bit D7 (for HPL) or page 1 / register 31, bit D6, or both (for HPR) clear automatically. Next, the device requires a reset to re-enable the output stage. Resetting occurs in two ways. First, the device master reset can be used, which requires either toggling the RESET pin or using the software reset. If master reset is used, it resets all of the registers. Second, a dedicated headphone power-stage reset can also be used to re-enable the output stage, and that keeps all of the other device settings. The headphone power stage reset occurs by setting page 1 / register 31, bit D7 for HPL and by setting page 1 / register 31, bit D6 for HPR. If the fault condition has been removed, then the device returns to normal operation. If the fault is still present, then another shutdown occurs. Repeated resetting (more than three times) is not recommended, as this could lead to overheating.

#### 6.3.10.12.2 Speaker Drivers

The device has an integrated class-D stereo speaker driver (SPLP/SPLM and SPRP/SPRM) capable of driving an 8- $\Omega$  differential load. The speaker driver can be powered directly from the battery supply (2.7 V to 5.5 V) on the SPLVDD and SPRVDD pins; however, the voltage (including spike voltage) must be limited below the absolute-maximum voltage of 6 V.

The speaker driver is capable of supplying 400 mW per channel with a 3.6-V power supply. Through the use of digital mixing, the device can connect one or both digital audio playback data channels to either speaker driver; this also allows digital channel swapping if needed.

The left class-D speaker driver can be powered on by writing to page 1 / register 32, bit D7. The right class-D speaker driver can be powered on by writing to page 1 / register 32, bit D6. The left-output driver gain can be controlled by writing to page 1 / register 42, bits D4–D3, and it can be muted by writing to page 1 / register 42, bit D2. The right-output driver gain can be controlled by writing to page 1 / register 43, bits D4–D3, and it can be muted by writing to page 1 / register 43, bit D2.

The device has a short-circuit protection feature for the speaker drivers that is always enabled to provide protection. If the output is shorted, the output stage shuts down on the overcurrent condition. (Current limiting is not an available option for the higher-current speaker driver output stage.) In case of a short circuit on either channel, the output is disabled and a status flag is provided as a read-only bit on page 1 / register 32, bit D0.

If shutdown occurs because of an overcurrent condition, then the device requires a reset to re-enable the output stage. Resetting occurs in two ways. First, the device master reset can be used, which requires either toggling the  $\overline{\text{RESET}}$  pin or using the software reset. If master reset is used, it resets all of the registers. Second, a dedicated speaker power-stage reset can be used that keeps all of the other device settings. The speaker power-stage reset occurs by setting page 1 / register 32, bit D7 for SPLP and SPLM and by setting page 1 / register 32, bit D6 for SPRP and SPRM. If the fault condition has been removed, then the device returns to normal operation. If the fault is still present, then another shutdown occurs. Repeated resetting (more than three times) is not recommended as this could lead to overheating.

***To minimize battery current leakage, the SPLVDD and SPRVDD voltage levels must not be less than the AVDD voltage level.***

The device has a thermal protection (OTP) feature for the speaker drivers which is always enabled to provide protection. If the device overheats, then the output stops switching. When the device cools down, the device resumes switching. An overtemperature status flag is provided as a read-only bit on page 0 / register 3, bit D1. The OTP feature is for self-protection of the device. If die temperature can be controlled at the system or board level, then overtemperature does not occur.

### 6.3.10.13 Audio-Output Stage-Power Configurations

After the device has been configured (following a  $\overline{\text{RESET}}$ ) and the circuitry has been powered up, the audio output stage can be powered up and powered down by register control.

These functions soft-start automatically. By using these register controls, it is possible to control these four output-stage configurations independently.

See [Table 6-25](#) for register control of audio output stage power configurations.

**Table 6-25. Audio-Output Stage-Power Configurations**

AUDIO OUTPUT PINS	DESIRED FUNCTION	PAGE 1 / REGISTER, BIT VALUES
HPL	Power down HPL driver	Page 1 / register 31, bit D7 = 0
	Power up HPL driver	Page 1 / register 31, bit D7 = 1
HPR	Power down HPR driver	Page 1 / register 31, bit D6 = 0
	Power up HPR driver	Page 1 / register 31, bit D6 = 1
SPLP / SPLM	Power down left class-D drivers	Page 1 / register 32, bit D7 = 0
	Power up left class-D drivers	Page 1 / register 32, bit D7 = 1
SPRP / SPRM	Power down right class-D drivers	Page 1 / register 32, bit D6 = 0
	Power up right class-D drivers	Page 1 / register 32, bit D6 = 1

### 6.3.10.14 DAC Setup

The following paragraphs are intended to guide a user through the steps necessary to configure the .

#### Step 1

The system clock source (master clock) and the targeted DAC sampling frequency must be identified.

Depending on the targeted performance, the decimation filter type (A, B, or C) and DOSR value can be determined:

- Filter A should be used for 48-kHz high-performance operation; DOSR must be a multiple of 8.
- Filter B should be used for up to 96-kHz operations; DOSR must be a multiple of 4.
- Filter C should be used for up to 192-kHz operations; DOSR must be a multiple of 2.



In all cases, DOSR is limited in its range by the following condition:

$$2.8 \text{ MHz} < \text{DOSR} \times \text{DAC}_{f_s} < 6.2 \text{ MHz}$$

Based on the identified filter type and the required signal-processing capabilities, the appropriate processing block can be determined from the list of available processing blocks (PRB\_P1 to PRB\_P25).

Based on the available master clock, the chosen DOSR and the targeted sampling rate, the clock-divider values NDAC and MDAC can be determined. If necessary, the internal PLL can add a large degree of flexibility.

In summary, CODEC\_CLKIN (derived directly from the system clock source or from the internal PLL) divided by MDAC, NDAC, and DOSR must be equal to the DAC sampling rate,  $\text{DAC}_{f_s}$ . The CODEC\_CLKIN clock signal is shared with the DAC clock-generation block.

$$\text{CODEC\_CLKIN} = \text{NDAC} \times \text{MDAC} \times \text{DOSR} \times \text{DAC}_{f_s}$$

To a large degree, NDAC and MDAC can be chosen independently in the range of 1 to 128. In general, NDAC should be as large as possible as long as the following condition can still be met:

$$\text{MDAC} \times \text{DOSR} / 32 \geq \text{RC}$$

RC is a function of the chosen processing block and is listed in [Table 6-11](#).

The common-mode voltage setting of the device is determined by the available analog power supply.

At this point, the following device-specific parameters are known: PRB\_Px, DOSR, NDAC, MDAC, input and output common-mode values. If the PLL is used, the PLL parameters P, J, D, and R are determined as well.

## Step 2

Setting up the device via register programming:

The following list gives an example sequence of items that must be executed in the time between powering the device up and reading data from the device. Note that there are other valid sequences, depending on which features are used.

1. Define starting point:
  - a. Power up applicable external power supplies
  - b. Set register page to 0
  - c. Initiate SW reset
2. Program clock settings
  - a. Program PLL clock dividers P, J, D, and R (if PLL is used)
  - b. Power up PLL (if PLL is used)
  - c. Program and power up NDAC
  - d. Program and power up MDAC
  - e. Program OSR value
  - f. Program I<sup>2</sup>S word length if required (16, 20, 24, or 32 bits)
  - g. Program the processing block to be used
  - h. Miscellaneous page 0 controls



3. Program analog blocks
  - a. Set register page to 1
  - b. Program common-mode voltage
  - c. Program headphone-specific de-pop settings (in case headphone driver is used)
  - d. Program routing of DAC output to the output amplifier (headphone/lineout or speaker)
  - e. Unmute and set gain of output drivers
  - f. Power up output drivers
4. Apply waiting time determined by the de-pop settings and the soft-stepping settings of the driver gain, or poll page 1 / register 63
5. Power up DAC
  - a. Set register page to 0
  - b. Power up DAC channels and set digital gain
  - c. Unmute digital volume control

A detailed example can be found in [Section 6.3.10.15](#).

### 6.3.10.15 Example Register Setup to Play Digital Data Through DAC and Headphone/Speaker Outputs

A typical EVM I<sup>2</sup>C register control script follows to show how to set up the in playback mode with  $f_s = 44.1$  kHz and MCLK = 11.2896 MHz.

```
# Key: w 30 XX YY ==> write to I2C address 0x30, to register 0xXX, data 0xYY
#           # ==> comment delimiter
#
# The following list gives an example sequence of items that must be executed in the time
# between powering the # device up and reading data from the device. Note that there are
# other valid sequences depending on which features are used.
# 1. Define starting point:
#   (a) Power up applicable external hardware power supplies
#   (b) Set register page to 0
#
w 30 00 00
#
#   (c) Initiate SW reset (PLL is powered off as part of reset)
#
w 30 01 01
#
# 2. Program clock settings
#   (a) Program PLL clock dividers P, J, D, R (if PLL is used)
#
# PLL_clkin = MCLK, codec_clkin = PLL_CLK
w 30 04 03
# J = 8
w 30 06 08
# D = 0000, D(13:8) = 0, D(7:0) = 0
w 30 07 00 00
#
#   (b) Power up PLL (if PLL is used)
# PLL Power up, P = 1, R = 1
#
w 30 05 91
#
#   (c) Program and power up NDAC
#
# NDAC is powered up and set to 8
w 30 0B 88
#
#   (d) Program and power up MDAC
#
# MDAC is powered up and set to 2
w 30 0C 82
#
#   (e) Program OSR value
#
```

```

# DOSR = 128, DOSR(9:8) = 0, DOSR(7:0) = 128
w 30 0D 00 80
#
# (f) Program I2S word length if required (16, 20, 24, 32 bits)
# and master mode (BCLK and WCLK are outputs)
#
# mode is i2s, wordlength is 16, slave mode
w 30 1B 00
# (g) Program the processing block to be used
#
# Select Processing Block PRB_P11
w 30 3C 0B
w 30 00 08
w 30 01 04
w 30 00 00
#
# (h) Miscellaneous page 0 controls
#
# DAC => volume control thru pin disable
w 30 74 00
# 3. Program analog blocks
#
# (a) Set register page to 1
#
w 30 00 01
#
# (b) Program common-mode voltage (defalut = 1.35 V)
#
w 30 1F 04
#
# (c) Program headphone-specific depop settings (in case headphone driver is used)
#
# De-pop, Power on = 800 ms, Step time = 4 ms
w 30 21 4E
#
# (d) Program routing of DAC output to the output amplifier (headphone/lineout or speaker)
#
# LDAC routed to HPL out, RDAC routed to HPR out
w 30 23 44
#
# (e) Unmute and set gain of output driver
#
# Unmute HPL, set gain = 0 db
w 30 28 06
# Unmute HPR, set gain = 0 dB
w 30 29 06
# Unmute Class-D, set gain = 18 dB
w 30 2A 1C
#
# (f) Power up output drivers
#
# HPL and HPR powered up
w 30 1F C2
# Power-up Class-D driver
w 30 20 86
# Enable HPL output analog volume, set = -9 dB
w 30 24 92
# Enable HPR output analog volume, set = -9 dB
w 30 25 92
# Enable Class-D output analog volume, set = -9 dB
w 30 26 92
#
# 4. Apply waiting time determined by the de-pop settings and the soft-stepping settings
# of the driver gain or poll page 1 / register 63
#
# 5. Power up DAC
# (a) Set register page to 0
#
w 30 00 00
#
# (b) Power up DAC channels and set digital gain
#
# Powerup DAC left and right channels (soft step enabled)

```

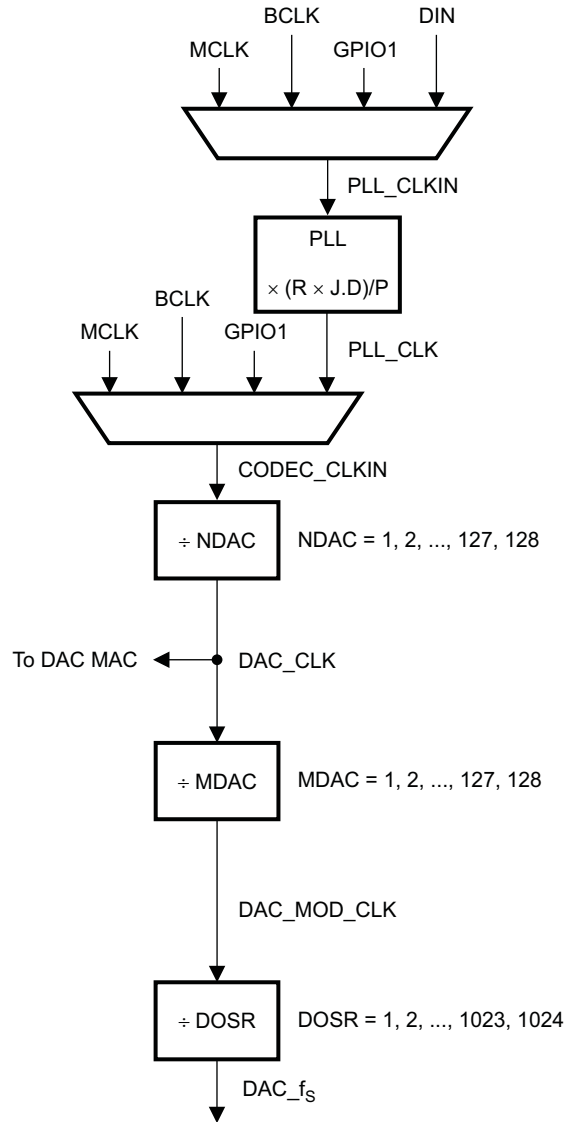
```

w 30 3F D4
#
# DAC Left gain = -22 dB
w 30 41 D4
# DAC Right gain = -22 dB
w 30 42 D4
#
# (c) Unmute digital volume control
#
# Unmute DAC left and right channels
w 30 40 00

```

### 6.3.11 **CLOCK Generation and PLL**

The device supports a wide range of options for generating clocks for the DAC section as well as interface and other control blocks as shown in [Figure 6-19](#). The clocks for the DAC require a source reference clock. This clock is provided on a variety of device pins, such as the MCLK, BCLK, or GPIO1 pins. The source reference clock for the codec is chosen by programming the CODEC\_CLKIN value on page 0 / register 4, bits D1–D0. The CODEC\_CLKIN is then routed through highly-flexible clock dividers shown in [Figure 6-19](#) to generate the various clocks required for the DAC. In the event that the desired audio clocks cannot be generated from the reference clocks on MCLK, BCLK, or GPIO1, the device also provides the option of using the on-chip PLL which supports a wide range of fractional multiplication values to generate the required clocks. Starting from CODEC\_CLKIN, the device provides several programmable clock dividers to help achieve a variety of sampling rates for the DAC.



B0357-04

Figure 6-19. Clock Distribution Tree

$$DAC\_MOD\_CLK = \frac{CODEC\_CLKIN}{NDAC \times MDAC}$$

$$DAC\_f_s = \frac{CODEC\_CLKIN}{NDAC \times MDAC \times DOSR}$$

(5)

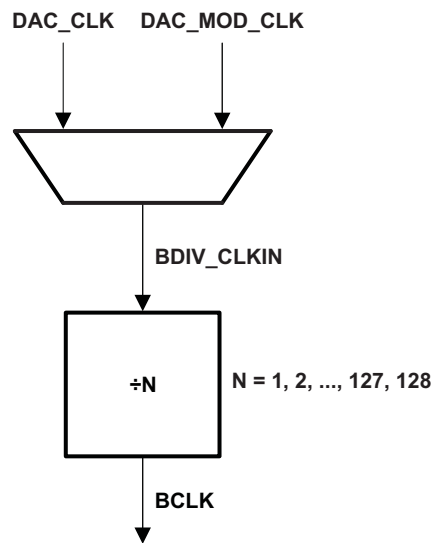
Table 6-26. CODEC CLKIN Clock Dividers

DIVIDER	BITS
NDAC	Page 0 / register 11, bits D6–D0
MDAC	Page 0 / register 12, bits D6–D0
DOSR	Page 0 / register 13, bits D1–D0 and page 0 / register 14, bits D7–D0

The DAC modulator is clocked by DAC\_MOD\_CLK. For proper power-up operation of the DAC channel, DAC\_MOD\_CLK must be enabled by configuring the NDAC and MDAC clock dividers (page 0 / register 11, bit D7 = 1 and page 0 / register 12, bit D7 = 1). When the DAC channel is powered down, the device internally initiates a power-down sequence for proper shutdown. During this shutdown sequence, the NDAC and MDAC dividers must not be powered down, or else a proper low-power shutdown may not take place. The user can read back the power-status flag at page 0 / register 37, bit D7 and page 0 / register 37, bit D3. When both of the flags indicate power-down, the MDAC divider may be powered down, followed by the NDAC divider.

In general, for proper operation, all the root clock dividers must power down only after the child clock dividers have powered down.

The device also has options for routing some of the internal clocks to the GPIO1 pin to be used as general-purpose clocks in the system. The feature is shown in Figure 6-21.

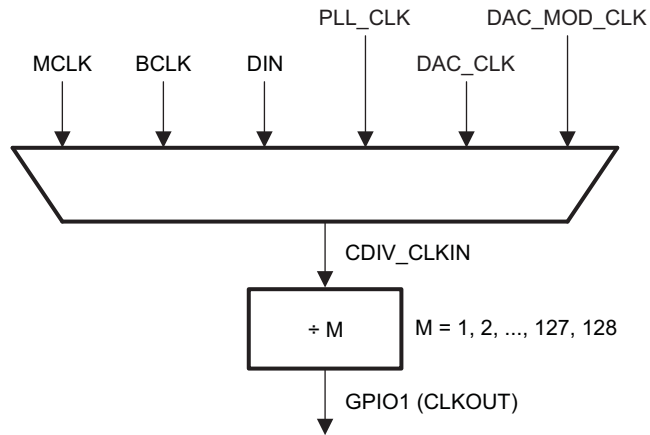


B0362-01

Figure 6-20. BCLK Output Options

In the mode when the device is configured to drive the BCLK pin (page 0 / register 27, bit D3 = 1), the device is driven as the divided value of BDIV\_CLKIN. The division value is programmed in page 0 / register 30, bits D6–D0 from 1 to 128. The BDIV\_CLKIN is configurable to be one of DAC\_CLK (DAC processing clock) or DAC\_MOD\_CLK by configuring the BDIV\_CLKIN multiplexer in page 0 / register 29, bits D1–D0. Additionally, a general-purpose clock can be driven out on GPIO1.

This clock can be a divided-down version of CDIV\_CLKIN. The value of this clock divider can be programmed from 1 to 128 by writing to page 0 / register 26, bits D6–D0. CDIV\_CLKIN can also be programmed as one of the clocks among the list shown in Figure 6-21. This is controlled by programming the multiplexer in page 0 / register 25, bits D2–D0.



B0363-01

**Figure 6-21. General-Purpose Clock Output Options**

**Table 6-27. Maximum Clock Frequencies**

CLOCK	DVDD ≥ 1.65 V
CODEC_CLKIN	≤ 110 MHz
DAC_CLK (DAC processing clock)	≤ 49.152 MHz
DAC_MOD_CLK	≤ 49.152 MHz with DRC disabled ≤ 48 MHz with DRC enabled
DAC_MOD_CLK	6.758 MHz
DAC_f <sub>s</sub>	0.192 MHz
BDIV_CLKIN	55 MHz
CDIV_CLKIN	100 MHz when M is odd 110 MHz when M is even

### 6.3.11.1 PLL

For lower power consumption, the best process is to derive the internal audio processing clocks using the simple dividers. When the input MCLK or other source clock is not an integer multiple of the audio processing clocks then using the on-board PLL is necessary. The fractional PLL generates an internal *master clock* that produces the processing clocks required by the DAC. The programmability of this PLL allows operation from a wide variety of clocks that may be available in the system.

The PLL input supports clocks varying from 512 kHz to 20 MHz and is register-programmable to enable generation of the required sampling rates with fine resolution. The PLL turns on by writing to page 0 / register 5, bit D7. When the PLL is enabled, the PLL output clock, PLL\_CLK, is given by [Equation 6](#).

$$\text{PLL\_CLK} = \frac{\text{PLL\_CLKIN} \times R \times J.D}{P}$$

where

- R = 1, 2, 3, ..., 16 (page 0 / register 5, default value = 1)
- J = 1, 2, 3, ..., 63, (page 0 / register 6, default value = 4)
- D = 0, 1, 2, ..., 9999 (page 0 / register 7 and page 0 / register 8, default value = 0)
- P = 1, 2, 3, ..., 8 (page 0 / register 5, default value = 1)

The PLL turns on through page 0 / register 5, bit D7. The variable P is programmed through page 0 / register 5, bits D6–D4. The variable R is programmed through page 0 / register 5, bits D3–D0. The variable J is programmed through page 0 / register 6, bits D5–D0. The variable D is 14 bits and is programmed into two registers. The MSB portion is programmed through page 0 / register 7, bits D5–D0, and the LSB portion is programmed through page 0 / register 8, bits D7–D0. For proper update of the D-divider value, page 0 / register 7 must be programmed first, followed immediately by page 0 / register 8. The new value of D does not take effect unless the write to page 0 / register 8 is complete.

When the PLL is enabled, the following conditions must be satisfied:

- When the PLL is enabled and D = 0, the following conditions must be satisfied for PLL\_CLKIN:

$$512 \text{ kHz} \leq \frac{\text{PLL\_CLKIN}}{P} \leq 20 \text{ MHz} \tag{7}$$

$$80 \text{ MHz} \leq (\text{PLL\_CLKIN} \times J.D. \times R / P) \leq 110 \text{ MHz}$$

$$4 \leq R \times J \leq 259$$

- When the PLL is enabled and D ≠ 0, the following conditions must be satisfied for PLL\_CLKIN:

$$10 \text{ MHz} \leq \frac{\text{PLL\_CLKIN}}{P} \leq 20 \text{ MHz} \tag{8}$$

$$80 \text{ MHz} \leq \text{PLL\_CLKIN} \times J.D. \times R / P \leq 110 \text{ MHz}$$

$$R = 1$$

The PLL can power up independently from the DAC block, and can also be used as a general-purpose PLL by routing the PLL output to the GPIO output. After powering up the PLL, PLL\_CLK is available typically after 10 ms.

The clocks for the codec and various signal processing blocks, CODEC\_CLKIN, are generated from the MCLK input, BCLK input, GPIO input, or PLL\_CLK (page 0 / register 4, bits D1–D0).

If CODEC\_CLKIN is derived from the PLL, then the PLL must be powered up first and powered down last.

[Table 6-28](#) lists several example cases of typical PLL\_CLKIN rates and how to program the PLL to achieve a sample rate  $f_s$  of either 44.1 kHz or 48 kHz.

**Table 6-28. PLL Example Configurations**

PLL_CLKIN (MHz)	PLL P	PLL R	PLL J	PLL D	MDAC	NDAC	DOSR
<b><math>f_s = 44.1</math> kHz</b>							
2.8224	1	3	10	0	3	5	128
5.6448	1	3	5	0	3	5	128
12	1	1	7	560	3	5	128
13	1	1	6	3504	6	3	104
16	1	1	5	2920	3	5	128
19.2	1	1	4	4100	3	5	128
48	4	1	7	560	3	5	128
<b><math>f_s = 48</math> kHz</b>							
2.048	1	3	14	0	7	2	128
3.072	1	4	7	0	7	2	128
4.096	1	3	7	0	7	2	128
6.144	1	2	7	0	7	2	128
8.192	1	4	3	0	4	4	128
12	1	1	7	1680	7	2	128
16	1	1	5	3760	7	2	128
19.2	1	1	4	4800	7	2	128
48	4	1	7	1680	7	2	128

### 6.3.12 Timer

The internal clock runs nominally at 8.2 MHz. This is used for various internal timing intervals, de-bounce logic, and interrupts. The MCLK divider must be set in such a way that the divider output is approximately 1 MHz for the timers to be closer to the programmed value.



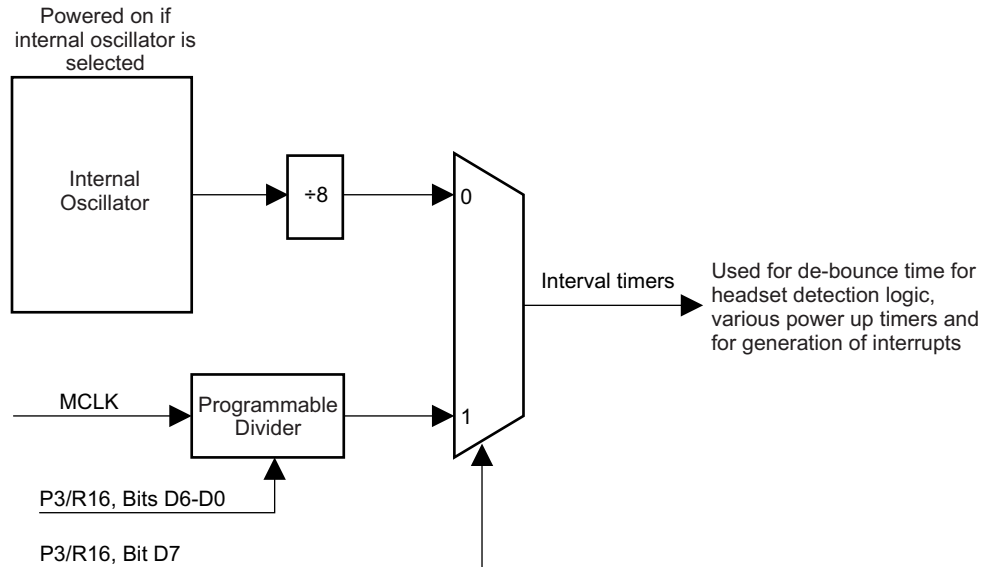


Figure 6-22. Interval Timer Clock Selection

### 6.3.13 Digital Audio and Control Interface

#### 6.3.13.1 Digital Audio Interface

Audio data is transferred between the host processor and the device through the digital audio data, serial interface, or audio bus. The audio bus on this device is very flexible, including left- or right-justified data options, support for I<sup>2</sup>S or DSP protocols, programmable data length options, a TDM mode for multichannel operation, very flexible master and slave configurability for each bus-clock line, and the ability to communicate with multiple devices within a system directly.

The audio bus of the device can be configured for left-justified or right-justified, I<sup>2</sup>S, DSP, or TDM modes of operation, where communication with standard telephony interfaces is supported within the TDM mode. These modes are all MSB-first, with data width programmable as 16, 20, 24, or 32 bits by configuring page 0 / register 27, bits D5–D4. In addition, the word clock and bit clock can be independently configured in either master or slave mode, for flexible connectivity to a wide variety of processors. The word clock defines the beginning of a frame, and can be programmed as either a pulse or a square-wave signal. The frequency of this clock corresponds to the DAC sampling frequency.

The bit clock is used to clock-in and clock-out the digital audio data across the serial bus. When in master mode, this signal can be programmed to generate variable clock pulses by controlling the bit-clock divider in page 0 / register 30 (see Figure 6-19). The number of bit-clock pulses in a frame can require adjustment to accommodate various word lengths as well as to support the case when multiple s share the same audio bus.

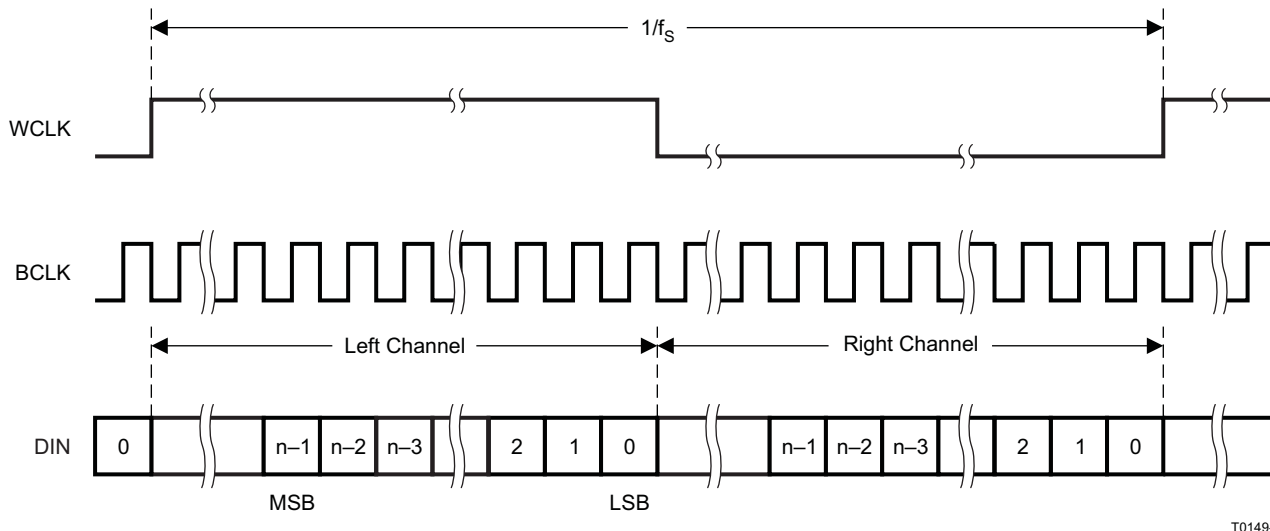
The device also includes a feature to offset the position of start-of-data transfer with respect to the word clock. This offset is controlled in terms of number of bit-clocks and can be programmed in page 0 / register 28.

The device also has the feature of inverting the polarity of the bit clock used for transferring the audio data as compared to the default clock polarity used. This feature can be used independently of the mode of audio interface chosen. This can be configured through page 0 / register 29, bit D3.

By default, when the word clocks and bit clocks are generated by the device, these clocks are active only when the DAC is powered up within the device. This is done to save power. However, it also supports a feature when both the word clocks and bit clocks can be active even when the codec in the device is powered down. This is useful when using the TDM mode with multiple codecs on the same bus, or when word clocks or bit clocks are used in the system as general-purpose clocks.

### 6.3.13.1.1 Right-Justified Mode

The audio interface of the can enter the right-justified mode by programming page 0 / register 27, bits D7–D6 = 10. In right-justified mode, the LSB of the left channel is valid on the rising edge of the bit clock preceding the falling edge of the word clock. Similarly, the LSB of the right channel is valid on the rising edge of the bit clock preceding the rising edge of the word clock.



T0149-05

Figure 6-23. Timing Diagram for Right-Justified Mode

For the right-justified mode, the number of bit clocks per frame should be greater-than or equal-to twice the programmed word length of the data.

### 6.3.13.1.2 Left-Justified Mode

The audio interface of the can enter the left-justified mode by programming page 0 / register 27, bits D7–D6 = 11. In left-justified mode, the MSB of the right channel is valid on the rising edge of the bit clock following the falling edge of the word clock. Similarly, the MSB of the left channel is valid on the rising edge of the bit clock following the rising edge of the word clock.

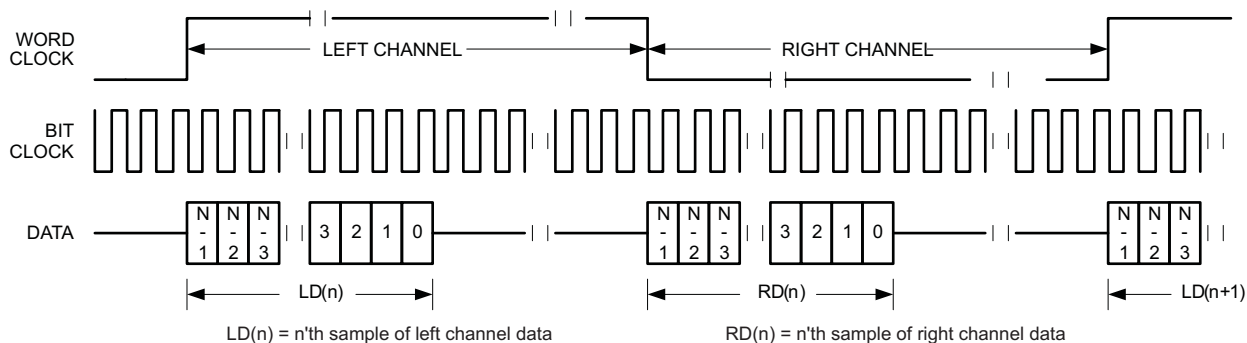


Figure 6-24. Timing Diagram for Left-Justified Mode

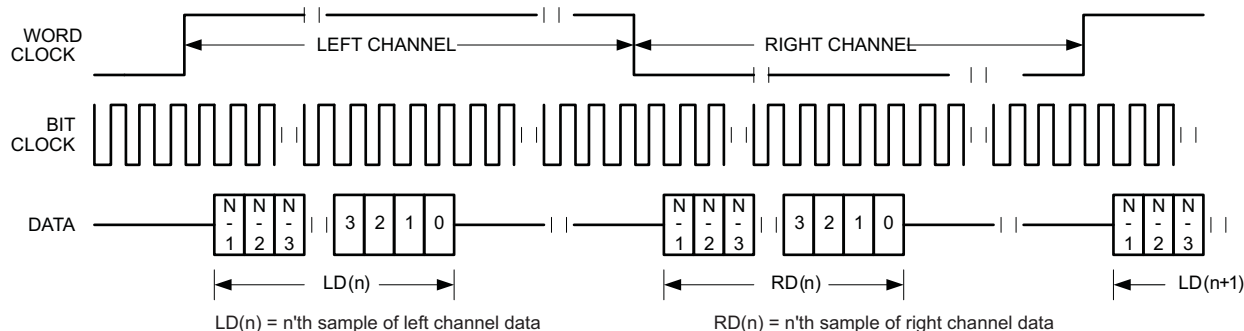


Figure 6-25. Timing Diagram for Left-Justified Mode With Offset = 1

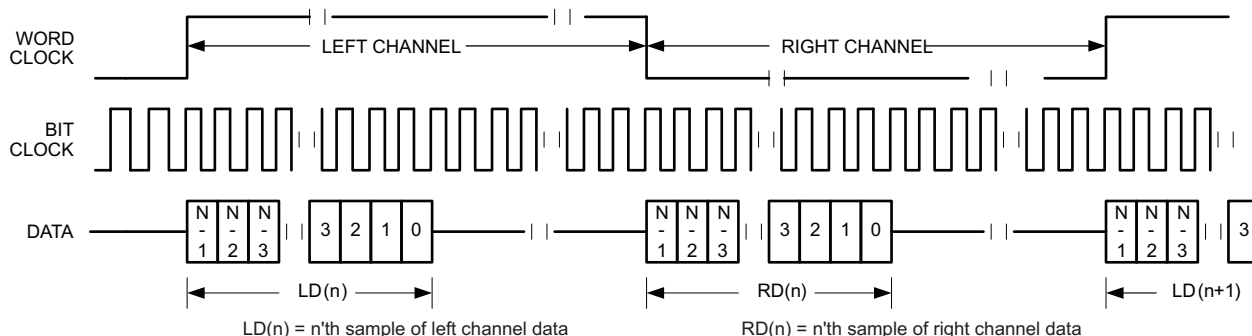


Figure 6-26. Timing Diagram for Left-Justified Mode With Offset = 0 and Inverted Bit Clock

For the left-justified mode, the number of bit clocks per frame should be greater-than or equal-to twice the programmed word length of the data. Also, the programmed offset value should be less than the number of bit clocks per frame by at least the programmed word length of the data.

### 6.3.13.1.3 I<sup>2</sup>S Mode

The audio interface of the device enters I<sup>2</sup>S mode by programming page 0 / register 27, bits D7–D6 = to 00. In I<sup>2</sup>S mode, the MSB of the left channel is valid on the second rising edge of the bit clock after the falling edge of the word clock. Similarly, the MSB of the right channel is valid on the second rising edge of the bit clock after the rising edge of the word clock.

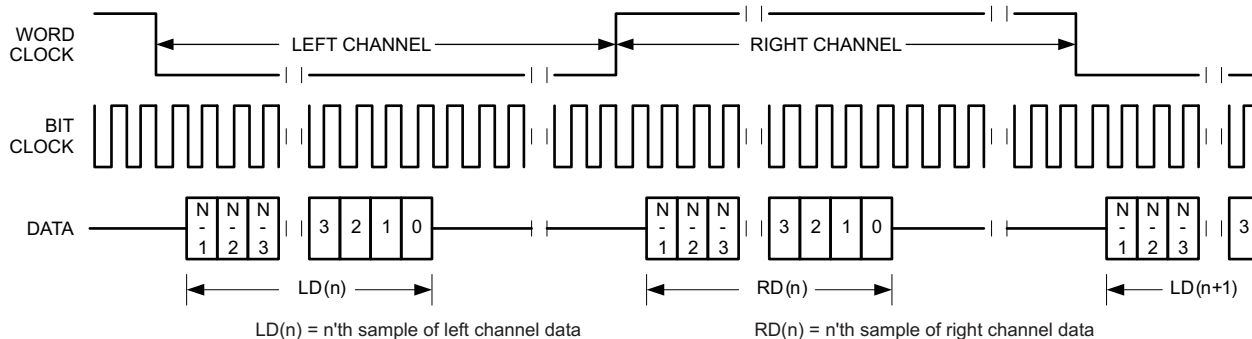
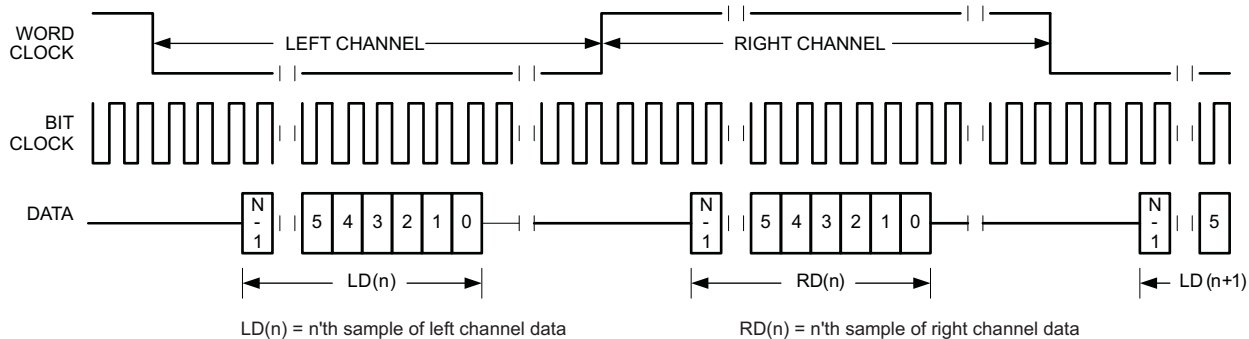
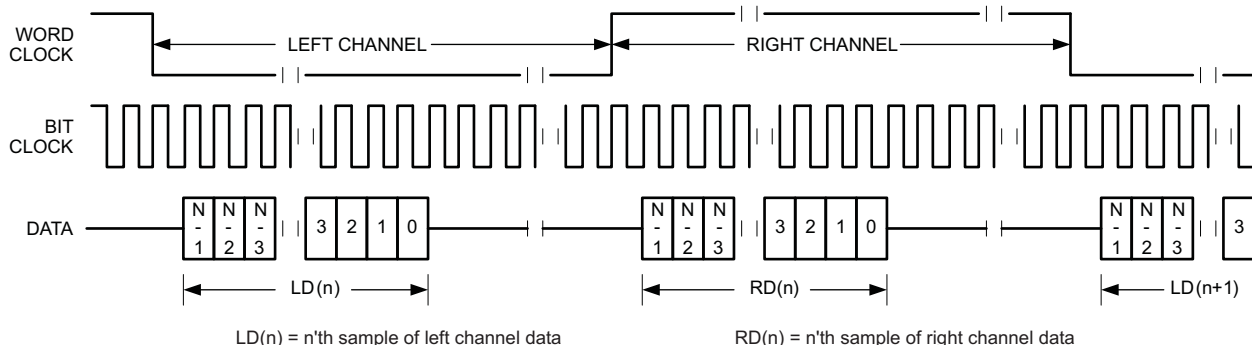


Figure 6-27. Timing Diagram for I<sup>2</sup>S Mode



**Figure 6-28. Timing Diagram for I<sup>2</sup>S Mode With Offset = 2**

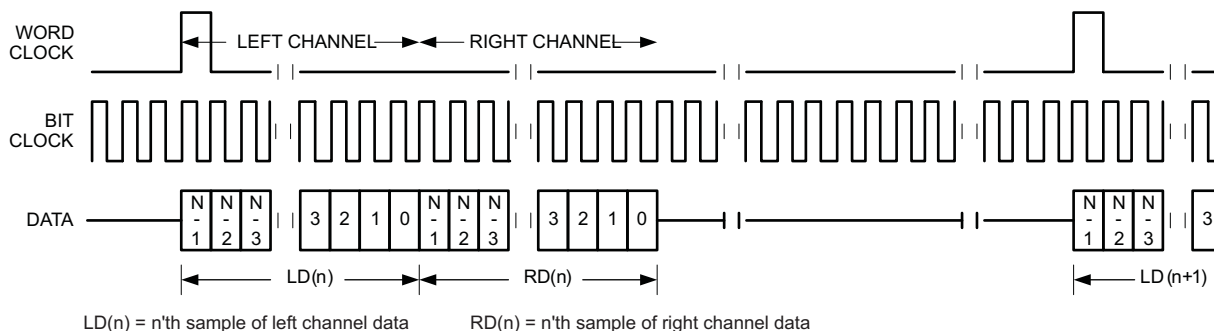


**Figure 6-29. Timing Diagram for I<sup>2</sup>S Mode With Offset = 0 and Bit Clock Inverted**

For I<sup>2</sup>S mode, the number of bit clocks per channel should be greater-than or equal-to the programmed word length of the data. Also, the programmed offset value should be less than the number of bit clocks per frame by at least the programmed word length of the data.

**6.3.13.1.4 DSP Mode**

The audio interface of the can enter DSP mode by programming page 0 / register 27, bits D7–D6 = 01. In DSP mode, the rising edge of the word clock starts the data transfer with the left-channel data first and immediately followed by the right-channel data. Each data bit is valid on the falling edge of the bit clock.



**Figure 6-30. Timing Diagram for DSP Mode**

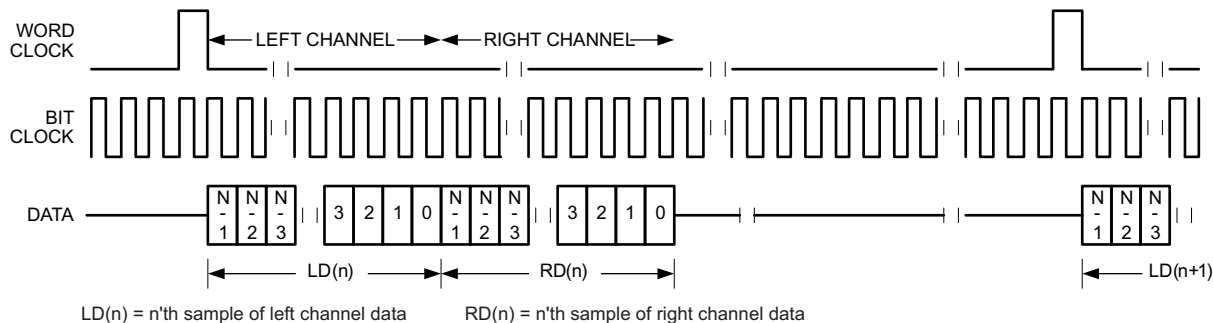


Figure 6-31. Timing Diagram for DSP Mode With Offset = 1

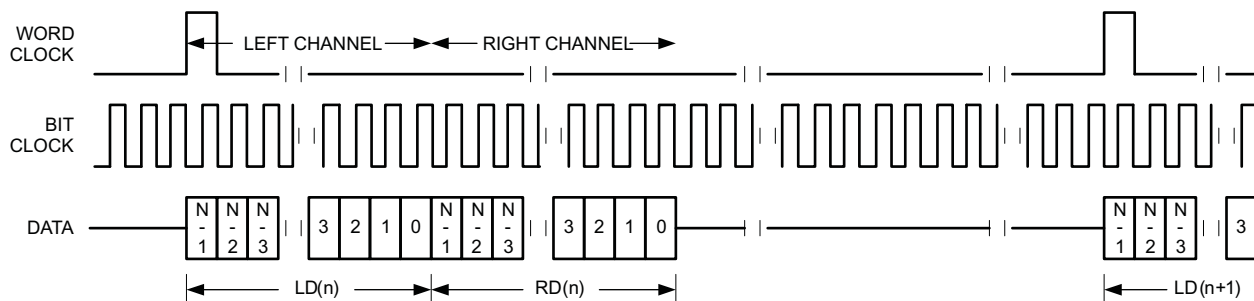


Figure 6-32. Timing Diagram for DSP Mode With Offset = 0 and Bit Clock Inverted

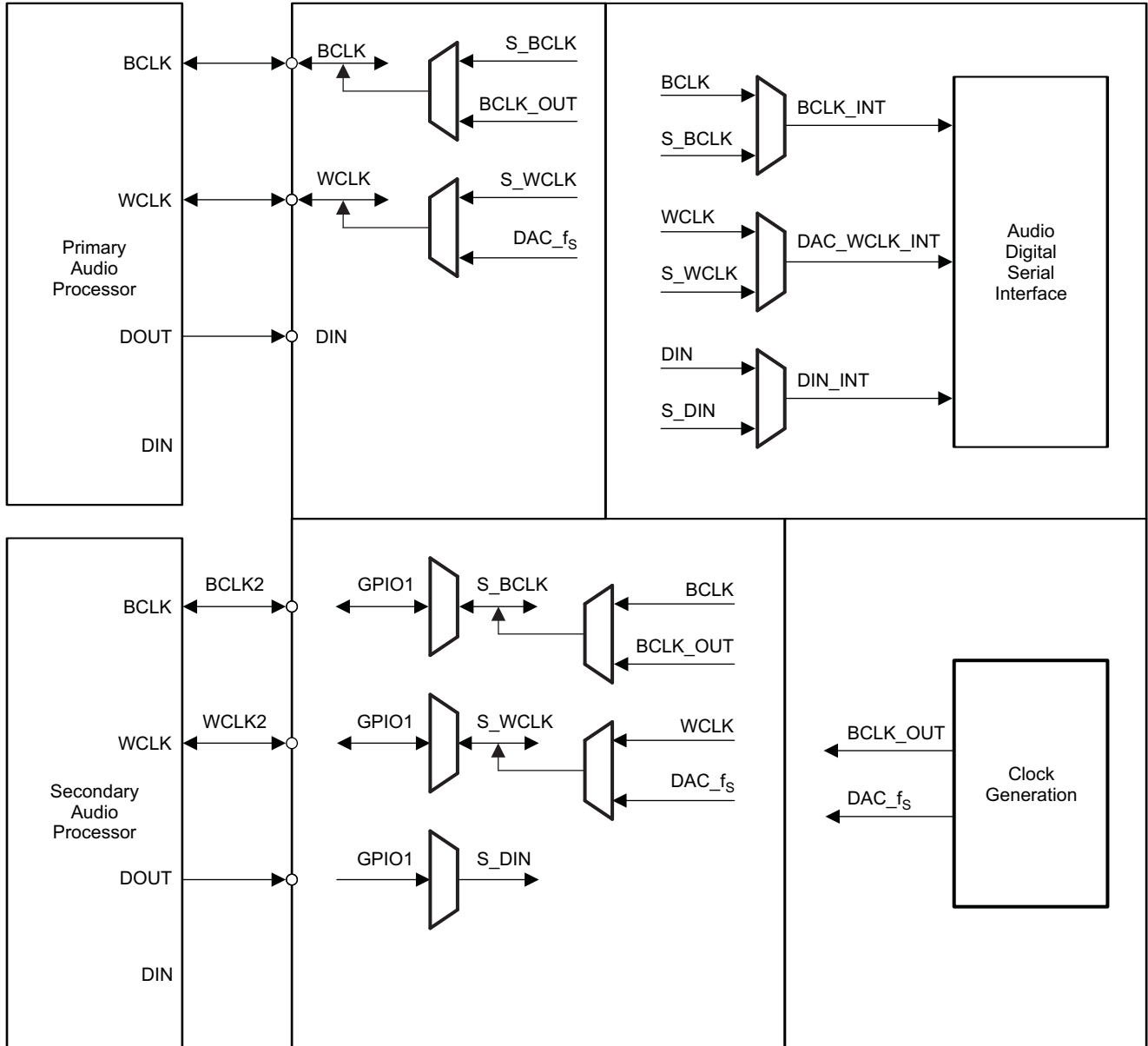
For the DSP mode, the number of bit clocks per frame should be greater-than or equal-to twice the programmed word length of the data. Also, the programmed offset value should be less than the number of bit clocks per frame by at least the programmed word length of the data.

### 6.3.13.2 Primary and Secondary Digital Audio Interface Selection

The audio serial interface on the has extensive I/O control to allow communication with two independent processors for audio data. The processors can communicate with the device one at a time. This feature is enabled by register programming of the various pin selections. shows the primary and secondary audio interface selection and registers. Figure 6-33 is a high-level diagram showing the general signal flow and multiplexing for the primary and secondary audio interfaces.

**Table 6-29. Primary and Secondary Audio Interface Selection**

DESIRED PIN FUNCTION	POSSIBLE PINS	PAGE 0 REGISTERS	COMMENT
Primary WCLK (OUT)	WCLK	R27/D2 = 1	Primary WCLK is output from codec
		R33/D5–D4	Select source of primary WCLK (DAC_fs or secondary WCLK)
Primary WCLK (IN)	WCLK	R27/D2 = 0	Primary WCLK is input to codec
Primary BCLK (OUT)	BCLK	R27/D3 = 1	Primary BCLK is output from codec
		R33/D7	Select source of primary WCLK (internal BCLK or secondary BCLK)
Primary BCLK (IN)	BCLK	R27/D3 = 0	Primary BCLK is input to codec
Primary DIN (IN)	DIN	R32/D0	Select DIN to internal interface (0 = primary DIN; 1 = secondary DIN)
Secondary WCLK (OUT)	GPIO1	R31/D4–D2 = 000	Secondary WCLK obtained from GPIO1 pin
		R51/D5–D2 = 1001	GPIO1 is secondary WCLK output.
		R33/D3–D2	Select source of Secondary WCLK (DAC_fs or primary WCLK)
Secondary WCLK (IN)	GPIO1	R31/D4–D2 = 000	Secondary WCLK obtained from GPIO1 pin
		R51/D5–D2 = 0001	GPIO1 enabled as secondary input
Secondary BCLK (OUT)	GPIO1	R31/D7–D5 = 000	Secondary BCLK obtained from GPIO1 pin
		R51/D5–D2 = 1000	GPIO1 is secondary BCLK output.
		R33/D6	Select source of secondary BCLK (primary BCLK or internal BCLK)
Secondary BCLK (IN)	GPIO1	R31/D7–D5 = 000	Secondary BCLK obtained from GPIO1 pin
		R51/D5–D2 = 0001	GPIO1 enabled as secondary input
Secondary DIN (IN)	GPIO1	R31/D1–D0 = 00	Secondary DIN obtained from GPIO1 pin
		R51/D5–D2 = 0001	GPIO1 enabled as secondary input



B0375-01

Figure 6-33. Audio Serial Interface Multiplexing

### 6.3.13.3 Control Interface

The control interface supports the I<sup>2</sup>C communication protocol.

#### 6.3.13.3.1 I<sup>2</sup>C Control Mode

The device supports the I<sup>2</sup>C control protocol, and responds to the I<sup>2</sup>C address of 0011 000. I<sup>2</sup>C is a two-wire, open-drain interface supporting multiple devices and masters on a single bus. Devices on the I<sup>2</sup>C bus only drive the bus lines LOW by connecting them to ground; they never drive the bus lines HIGH. Instead, the bus wires are pulled HIGH by pullup resistors, so the bus wires are HIGH when no device is driving them LOW. This way, two devices cannot conflict; if two devices drive the bus simultaneously, there is no driver contention.

Communication on the I<sup>2</sup>C bus always takes place between two devices, one acting as the master and the other acting as the slave. Both masters and slaves can read and write, but slaves can only do so under the direction of the master. Some I<sup>2</sup>C devices can act as masters or slaves, but they can only act as a slave device.

An I<sup>2</sup>C bus consists of two lines, SDA and SCL. SDA carries data, and the SCL signal provides the clock. All data is transmitted across the I<sup>2</sup>C bus in groups of eight bits. To send a bit on the I<sup>2</sup>C bus, the SDA line is driven to the appropriate level while SCL is LOW (a LOW on SDA indicates the bit is zero, while a HIGH indicates the bit is one).

Once the SDA line has settled, the SCL line is brought HIGH, then LOW. This pulse on the SCL line clocks the SDA bit into the receiver shift register.

The I<sup>2</sup>C bus is bidirectional: the SDA line is used both for transmitting and receiving data. When a master reads from a slave, the slave drives the data line; when a master sends to a slave, the master drives the data line.

Most of the time the bus is idle, no communication is taking place, and both lines are HIGH. When communication is taking place, the bus is active. Only master devices can start communication on the bus. Generally, the data line is only allowed to change state while the clock line is LOW. If the data line changes state while the clock line is HIGH, it is either a START condition or the counterpart, a STOP condition. A START condition is when the clock line is HIGH and the data line goes from HIGH to LOW. A STOP condition is when the clock line is HIGH and the data line goes from LOW to HIGH.

After the master issues a START condition, it sends a byte that selects the slave device for communication. This byte is called the address byte. Each device on an I<sup>2</sup>C bus has a unique 7-bit address to which it responds. (Slaves can also have 10-bit addresses; see the I<sup>2</sup>C specification for details.) The master sends an address in the address byte, together with a bit that indicates whether it is to read from or write to the slave device.

Every byte transmitted on the I<sup>2</sup>C bus, whether it is address or data, is acknowledged with an acknowledge bit. When a master has finished sending a byte (eight data bits) to a slave, it stops driving SDA and waits for the slave to acknowledge the byte. The slave acknowledges the byte by pulling SDA LOW. The master then sends a clock pulse to clock the acknowledge bit. Similarly, when a master has finished reading a byte, it pulls SDA LOW to acknowledge this to the slave. It then sends a clock pulse to clock the bit. (Remember that the master always drives the clock line.)

A not-acknowledge is performed by simply leaving SDA HIGH during an acknowledge cycle. If a device is not present on the bus, and the master attempts to address the device, the master receives a not-acknowledge because no device is present at that address to pull the line LOW.

When a master has finished communicating with a slave, it may issue a STOP condition. When a STOP condition is issued, the bus becomes idle again. A master may also issue another START condition. When a START condition is issued while the bus is active, it is called a repeated START condition.

The device can also respond to and acknowledge a general call, which consists of the master issuing a command with a slave address byte of 00h. This feature is disabled by default, but can be enabled through page 0 / register 34, bit D5.



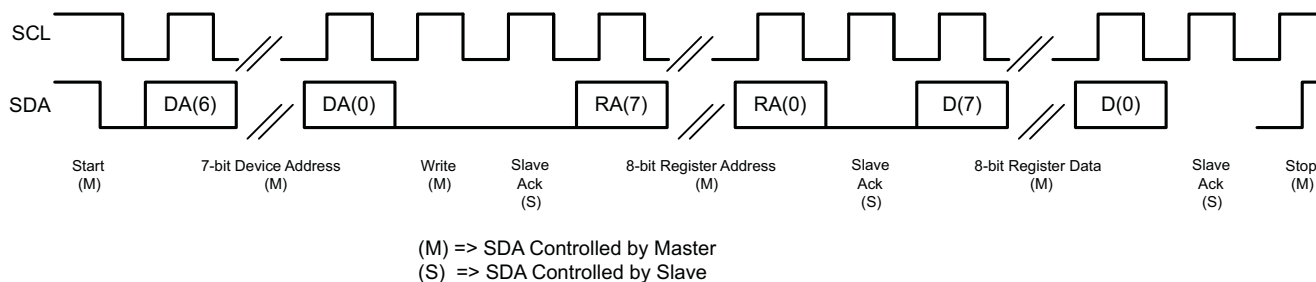


Figure 6-34. I<sup>2</sup>C Write

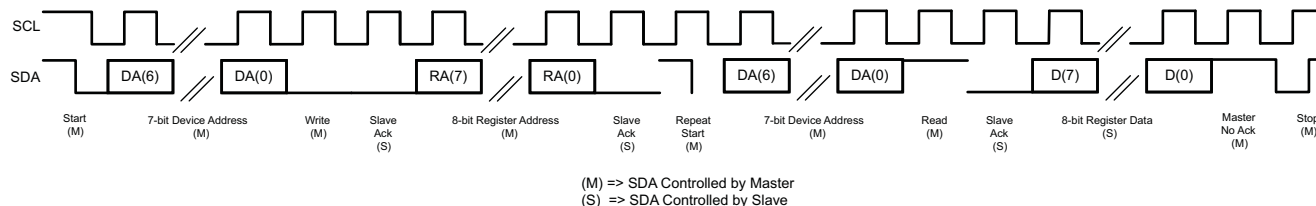


Figure 6-35. I<sup>2</sup>C Read

In the case of an I<sup>2</sup>C register write, if the master does not issue a STOP condition, then the device enters auto-increment mode. So in the next eight clocks, the data on SDA is treated as data for the next incremental register.

Similarly, in the case of an I<sup>2</sup>C register read, after the device has sent out the 8-bit data from the addressed register, if the master issues a ACKNOWLEDGE, the slave takes over control of the SDA bus and transmits for the next eight clocks the data of the next incremental register.

## 6.4 Register Map

### 6.4.1 Register Map

All features on this device are addressed using the I<sup>2</sup>C bus. All of the writable registers can be read back. However, some registers contain status information or data, and are only available for reading.

The device contains several pages of 8-bit registers, and each page can contain up to 128 registers. The register pages are divided up based on functional blocks for this device. The pages defined for the device are 0, 1, 3, 8–9, 12–13 (DAC coefficient pages). Page 0 is the default home page after RESET. Page control occurs by writing a new page value into register 0 of the current page.

The control registers for the device are described in detail as follows. All registers are 8 bits in width, with D7 referring to the most-significant bit of each register, and D0 referring to the least-significant bit.

Pages 0, 1, 3, 8–9, and 12–13 are available for use. All other pages and registers are reserved. Do not read from or write to reserved pages and registers. Also, do not write other than the reset values for the reserved bits and read-only bits of non-reserved registers; otherwise, device functionality failure can occur.

#### NOTE

Note that the page and register numbers are shown in decimal format. For use in microcode, these decimal values may need to be converted to hexadecimal format. For convenience, the register numbers are shown in both formats, whereas the page numbers are shown only in decimal format.

Table 6-30. Summary of Register Map

PAGE NUMBER	DESCRIPTION
0	Page 0 is the default page on power up. Configuration for serial interface, digital I/O, and other circuitry.

**Table 6-30. Summary of Register Map (continued)**

PAGE NUMBER	DESCRIPTION
1	Configuration for DAC, output drivers, volume controls, and other circuitry.
3	Register 16 controls the MCLK divider that controls the interrupt pulse duration, debounce timing, and detection-block clock.
8–9	DAC filter and DRC coefficients (buffer A)
12–13	DAC filter and DRC coefficients (buffer B)

## 6.4.2 Registers

### 6.4.2.1 Control Registers, Page 0 (Default Page): Clock Multipliers, Dividers, Serial Interfaces, Flags, Interrupts, and GPIOs

**Table 6-31. Page 0 / Register 0 (0x00): Page Control Register**

BIT	READ/ WRITE	RESET VALUE	DESCRIPTION
D7–D0	R/W	0000 0000	0000 0000: Page 0 selected 0000 0001: Page 1 selected ... 1111 1110: Page 254 selected 1111 1111: Page 255 selected

**Table 6-32. Page 0 / Register 1 (0x01): Software Reset**

BIT	READ/ WRITE	RESET VALUE	DESCRIPTION
D7–D1	R/W	0000 000	Reserved. Write only zeros to these bits.
D0	R/W	0	0: Don't care 1: Self-clearing software reset for control register

**Table 6-33. Page 0 / Register 2 (0x02): Reserved**

BIT	READ/ WRITE	RESET VALUE	DESCRIPTION
D7–D0	R	XXXX XXXX	Reserved. Do not write to this register.

**Table 6-34. Page 0 / Register 3 (0x03): OT FLAG**

BIT	READ/ WRITE	RESET VALUE	DESCRIPTION
D7–D2	R	XXXX XX	Reserved. Do not write to these bits.
D1	R	1	0: Overtemperature protection flag (active-low). Valid only if speaker amplifier is powered up 1: Normal operation
D0	R/W	X	Reserved. Do not write to these bits.

**Table 6-35. Page 0 / Register 4 (0x04): Clock-Gen Muxing<sup>(1)</sup>**

BIT	READ/ WRITE	RESET VALUE	DESCRIPTION
D7–D4	R/W	0000	Reserved. Write only zeros to these bits.
D3–D2	R/W	00	00: PLL_CLKIN = <b>MCLK</b> (device pin) 01: PLL_CLKIN = BCLK (device pin) 10: PLL_CLKIN = GPIO1 (device pin) 11: PLL_CLKIN = DIN (can be used for the system where DAC is not used)
D1–D0	R/W	00	00: CODEC_CLKIN = <b>MCLK</b> (device pin) 01: CODEC_CLKIN = BCLK (device pin) 10: CODEC_CLKIN = GPIO1 (device pin) 11: CODEC_CLKIN = PLL_CLK (generated on-chip)

(1) See [Section 6.3.11](#) for more details on clock generation multiplexing and dividers.

**Table 6-36. Page 0 / Register 5 (0x05): PLL P and R Values**

BIT	READ/ WRITE	RESET VALUE	DESCRIPTION
D7	R/W	0	0: PLL is powered down. 1: PLL is powered up.
D6–D4	R/W	001	000: PLL divider P = 8 001: PLL divider P = 1 010: PLL divider P = 2 ... 110: PLL divider P = 6 111: PLL divider P = 7
D3–D0	R/W	0001	0000: PLL multiplier R = 16 0001: PLL multiplier R = 1 0010: PLL multiplier R = 2 ... 1110: PLL multiplier R = 14 1111: PLL multiplier R = 15

**Table 6-37. Page 0 / Register 6 (0x06): PLL J-Value**

BIT	READ/ WRITE	RESET VALUE	DESCRIPTION
D7–D6	R/W	00	Reserved. Write only zeros to these bits.
D5–D0	R/W	00 0100	00 0000: Do not use (reserved) 00 0001: PLL multiplier J = 1 00 0010: PLL multiplier J = 2 ... 11 1110: PLL multiplier J = 62 11 1111: PLL multiplier J = 63

**Table 6-38. Page 0 / Register 7 (0x07): PLL D-Value MSB<sup>(1)</sup>**

BIT	READ/ WRITE	RESET VALUE	DESCRIPTION
D7–D6	R/W	00	Reserved. Write only zeros to these bits.
D5–D0	R/W	00 0000	PLL fractional multiplier D-value MSB bits D[13:8]

(1) Note that this register is updated only when Page 0 / Register 8 is written immediately after Page 0 / Register 7.

**Table 6-39. Page 0 / Register 8 (0x08): PLL D-Value LSB<sup>(1)</sup>**

BIT	READ/ WRITE	RESET VALUE	DESCRIPTION
D7–D0	R/W	0000 0000	PLL fractional multiplier D-value LSB bits D[7:0]

(1) Note that Page 0 / Register 8 must be written immediately after Page 0 / Register 7.

**Table 6-40. Page 0 / Register 9 (0x09) and Page 0 / Register 10 (0x0A): Reserved**

BIT	READ/ WRITE	RESET VALUE	DESCRIPTION
D7–D0	R	XXXX XXXX	Reserved.

**Table 6-41. Page 0 / Register 11 (0x0B): DAC NDAC\_VAL**

BIT	READ/ WRITE	RESET VALUE	DESCRIPTION
D7	R/W	0	0: DAC NDAC divider is powered down. 1: DAC NDAC divider is powered up.
D6–D0	R/W	000 0001	000 0000: DAC NDAC divider = 128 000 0001: DAC NDAC divider = 1 000 0010: DAC NDAC divider = 2 ... 111 1110: DAC NDAC divider = 126 111 1111: DAC NDAC divider = 127

**Table 6-42. Page 0 / Register 12 (0x0C): DAC MDAC\_VAL**

BIT	READ/ WRITE	RESET VALUE	DESCRIPTION
D7	R/W	0	0: DAC MDAC divider is powered down. 1: DAC MDAC divider is powered up.
D6–D0	R/W	000 0001	000 0000: DAC MDAC divider = 128 000 0001: DAC MDAC divider = 1 000 0010: DAC MDAC divider = 2 ... 111 1110: DAC MDAC divider = 126 111 1111: DAC MDAC divider = 127

**Table 6-43. Page 0 / Register 13 (0x0D): DAC DOSR\_VAL MSB**

BIT	READ/ WRITE	RESET VALUE	DESCRIPTION
D7–D2	R/W	0000 00	Reserved
D1–D0	R/W	00	DAC OSR value DOSR(9:8)

**Table 6-44. Page 0 / Register 14 (0x0E): DAC DOSR\_VAL LSB**

BIT	READ/ WRITE	RESET VALUE	DESCRIPTION
D7–D0	R/W	1000 0000	DAC OSR Value DOSR (7:0) 0000 0000: DAC OSR (7:0) = 1024 (MSB page 0 / register 13, bits D1–D0 = 00) 0000 0001: Reserved 0000 0010: DAC OSR (7:0) = 2 (MSB page 0 / register 13, bits D1–D0 = 00) ... 1111 1110: DAC OSR (7:0) = 1022 (MSB page 0 / register 13, bits D1–D0 = 11) 1111 1111: DAC OSR (7:0) =

**Table 6-45. Page 0 / Register 15 (0x0F) through Page 0 / Register 24 (0x18): Reserved**

BIT	READ/ WRITE	RESET VALUE	DESCRIPTION
D7–D0	R/W	XXXX XXXX	Reserved. Do not write to these registers.

**Table 6-46. Page 0 / Register 25 (0x19): CLKOUT MUX**

BIT	READ/ WRITE	RESET VALUE	DESCRIPTION
D7–D3	R/W	0000 0	Reserved

**Table 6-46. Page 0 / Register 25 (0x19): CLKOUT MUX (continued)**

BIT	READ/ WRITE	RESET VALUE	DESCRIPTION
D2–D0	R/W	000	000: CDIV_CLKIN = MCLK (device pin) 001: CDIV_CLKIN = BCLK (device pin) 010: CDIV_CLKIN = DIN (can be used for the systems where DAC is not required) 011: CDIV_CLKIN = PLL_CLK (generated on-chip) 100: CDIV_CLKIN = DAC_CLK (DAC DSP clock - generated on-chip) 101: CDIV_CLKIN = DAC_MOD_CLK (generated on-chip) 110: Reserved 111: Reserved

**Table 6-47. Page 0 / Register 26 (0x1A): CLKOUT M\_VAL**

BIT	READ/ WRITE	RESET VALUE	DESCRIPTION
D7	R/W	0	0: CLKOUT M divider is powered down. 1: CLKOUT M divider is powered up.
D6–D0	R/W	000 0001	000 0000: CLKOUT divider M = 128 000 0001: CLKOUT divider M = 1 000 0010: CLKOUT divider M = 2 ... 111 1110: CLKOUT divider M = 126 111 1111: CLKOUT divider M = 127

**Table 6-48. Page 0 / Register 27 (0x1B): Codec Interface Control 1**

BIT	READ/ WRITE	RESET VALUE	DESCRIPTION
D7–D6	R/W	00	00: Codec interface = I <sup>2</sup> S 01: Codec Interface = DSP 10: Codec interface = RJF 11: Codec interface = LJF
D5–D4	R/W	00	00: Codec interface word length = 16 bits 01: Codec interface word length = 20 bits 10: Codec interface word length = 24 bits 11: Codec interface word length = 32 bits
D3	R/W	0	0: BCLK is input 1: BCLK is output
D2	R/W	0	0: WCLK is input 1: WCLK is output
D1–D0	R/W	0	Reserved

**Table 6-49. Page 0 / Register 28 (0x1C): Data-Slot Offset Programmability**

BIT	READ/ WRITE	RESET VALUE	DESCRIPTION
D7–D0	R/W	0000 0000	Offset (Measured With Respect to WCLK Rising Edge in DSP Mode) 0000 0000: Offset = 0 BCLKs 0000 0001: Offset = 1 BCLK 0000 0010: Offset = 2 BCLKs ... 1111 1110: Offset = 254 BCLKs 1111 1111: Offset = 255 BCLKs

**Table 6-50. Page 0 / Register 29 (0x1D): Codec Interface Control 2**

BIT	READ/ WRITE	RESET VALUE	DESCRIPTION
D7–D4	R/W	0000	Reserved
D3	R/W	0	0: BCLK is not inverted (valid for both primary and secondary BCLK) 1: BCLK is inverted (valid for both primary and secondary BCLK)

**Table 6-50. Page 0 / Register 29 (0x1D): Codec Interface Control 2 (continued)**

BIT	READ/ WRITE	RESET VALUE	DESCRIPTION
D2	R/W	0	BCLK and WCLK Active Even With Codec Powered Down (Valid for Both Primary and Secondary BCLK) 0: Disabled 1: Enabled
D1–D0	R/W	00	00: BDIV_CLKIN = DAC_CLK (generated on-chip) 01: BDIV_CLKIN = DAC_MOD_CLK (generated on-chip) 10: Reserved 11: Reserved

**Table 6-51. Page 0 / Register 30 (0x1E): BCLK N\_VAL**

BIT	READ/ WRITE	RESET VALUE	DESCRIPTION
D7	R/W	0	0: BCLK N-divider is powered down. 1: BCLK N-divider is powered up.
D6–D0	R/W	000 0001	000 0000: BCLK divider N = 128 000 0001: BCLK divider N = 1 000 0010: BCLK divider N = 2 ... 111 1110: BCLK divider N = 126 111 1111: BCLK divider N = 127

**Table 6-52. Page 0 / Register 31 (0x1F): Codec Secondary Interface Control 1**

BIT	READ/ WRITE	RESET VALUE	DESCRIPTION
D7–D5	R/W	000	000: Secondary BCLK is obtained from GPIO1 pin. 001: Secondary BCLK is not obtained from the GPIO1 pin. 010: Reserved. 011: Reserved. 100: Reserved. 101: Reserved. 110: Reserved. 111: Reserved
D4–D2	R/W	000	000: Secondary WCLK is obtained from GPIO1 pin. 001: Secondary WCLK is not obtained from the GPIO1 pin. 010: Reserved. 011: Reserved. 100: Reserved. 101: Reserved. 110: Reserved. 111: Reserved
D1–D0	R/W	00	00: Secondary DIN is obtained from the GPIO1 pin. 01: Secondary DIN is not obtained from the GPIO1 pin. 10: Reserved. 10–11: Reserved

**Table 6-53. Page 0 / Register 32 (0x20): Codec Secondary Interface Control 2**

BIT	READ/ WRITE	RESET VALUE	DESCRIPTION
D7–D4	R/W	0000	Reserved
D3	R/W	0	0: Primary BCLK is fed to codec serial-interface and ClockGen blocks. 1: Secondary BCLK is fed to codec serial-interface and ClockGen blocks.
D2	R/W	0	0: Primary WCLK is fed to codec serial-interface block. 1: Secondary WCLK is fed to codec serial-interface block.
D1	R/W	0	Reserved.
D0	R/W	0	0: Primary DIN is fed to codec serial-interface block. 1: Secondary DIN is fed to codec serial-interface block.

**Table 6-54. Page 0 / Register 33 (0x21): Codec Secondary Interface Control 3**

BIT	READ/ WRITE	RESET VALUE	DESCRIPTION
D7	R/W	0	0: Primary BCLK output = internally generated BCLK clock 1: Primary BCLK output = secondary BCLK
D6	R/W	0	0: Secondary BCLK output = primary BCLK 1: Secondary BCLK output = internally generated BCLK clock
D5–D4	R/W	00	00: Primary WCLK output = internally generated DAC_f <sub>S</sub> 01: Reserved 10: Primary WCLK output = secondary WCLK 11: Reserved
D3–D2	R/W	00	00: Secondary WCLK output = primary WCLK 01: Secondary WCLK output = internally generated DAC_f <sub>S</sub> clock 10: Reserved 11: Reserved
D1–D0	R/W	0	Reserved

**Table 6-55. Page 0 / Register 34 (0x22): I<sup>2</sup>C Bus Condition**

BIT	READ/ WRITE	RESET VALUE	DESCRIPTION
D7–D6	R/W	00	Reserved. Write only the reset value to these bits.
D5	R/W	0	0: I <sup>2</sup> C general-call address is ignored. 1: Device accepts I <sup>2</sup> C general-call address.
D4–D0	R/W	0 0000	Reserved. Write only zeros to these bits.

**Table 6-56. Page 0 / Register 35 (0x23) and Page 0 / Register 36 (0x24): Reserved**

BIT	READ/ WRITE	RESET VALUE	DESCRIPTION
D7–D0	R/W	XXXX XXXX	Reserved. Write only zeros to these bits.

**Table 6-57. Page 0 / Register 37 (0x25): DAC Flag Register**

BIT	READ/ WRITE	RESET VALUE	DESCRIPTION
D7	R	0	0: Left-channel DAC powered down 1: Left-channel DAC powered up
D6	R/W	X	Reserved. Write only zero to this bit.
D5	R	0	0: HPL driver powered down 1: HPL driver powered up
D4	R	0	0: Left-channel class-D driver powered down 1: Left-channel class-D driver powered up
D3	R	0	0: Right-channel DAC powered down 1: Right-channel DAC powered up
D2	R/W	X	Reserved. Write only zero to this bit.
D1	R	0	0: HPR driver powered down 1: HPR driver powered up
D0	R	0	0: Right-channel class-D driver powered down 1: Right-channel class-D driver powered up

**Table 6-58. Page 0 / Register 38 (0x26): DAC Flag Register**

BIT	READ/ WRITE	RESET VALUE	DESCRIPTION
D7–D5	R/W	XXX	Reserved. Do not write to these bits.
D4	R	0	0: Left-channel DAC PGA applied gain ≠ programmed gain 1: Left-channel DAC PGA applied gain = programmed gain
D3–D1	R/W	XXX	Reserved. Write only zeros to these bits.

**Table 6-58. Page 0 / Register 38 (0x26): DAC Flag Register (continued)**

BIT	READ/ WRITE	RESET VALUE	DESCRIPTION
D0	R	0	0: Right-channel DAC PGA applied gain ≠ programmed gain 1: Right-channel DAC PGA applied gain = programmed gain

**Table 6-59. Page 0 / Register 39 (0x27): Overflow Flags**

BIT	READ/ WRITE	RESET VALUE	DESCRIPTION
D7 <sup>(1)</sup>	R	0	Left-Channel DAC Overflow Flag 0: Overflow has not occurred. 1: Overflow has occurred.
D6 <sup>(1)</sup>	R	0	Right-Channel DAC Overflow Flag 0: Overflow has not occurred. 1: Overflow has occurred.
D5 <sup>(1)</sup>	R	0	DAC Barrel Shifter Output Overflow Flag 0: Overflow has not occurred. 1: Overflow has occurred.
D4–D0	R	0	Reserved.

(1) Sticky flag bit. These is a read-only bit. This bit is automatically cleared once it is read and is set only if the source trigger occurs again.

**Table 6-60. Page 0 / Register 40 (0x28) Through Page 0 / Register 43 (0x2B): Reserved**

BIT	READ/ WRITE	RESET VALUE	DESCRIPTION
D7–D0	R/W	XXXX XXXX	Reserved. Write only the reset value to these bits.

**Table 6-61. Page 0 / Register 44 (0x2C): DAC Interrupt Flags (Sticky Bits)**

BIT	READ/ WRITE	RESET VALUE	DESCRIPTION
D7 <sup>(1)</sup>	R	0	0: No short circuit is detected at HPL / left class-D driver. 1: Short circuit is detected at HPL / left class-D driver.
D6 <sup>(1)</sup>	R	0	0: No short circuit is detected at HPR / right class-D driver. 1: Short circuit is detected at HPR / right class-D driver.
D5 <sup>(1)</sup>	R	X	0: No headset button pressed. 1: Headset button pressed.
D4 <sup>(1)</sup>	R	X	0: No headset insertion or removal is detected. 1: Headset insertion or removal is detected.
D3 <sup>(1)</sup>	R	0	0: Left DAC signal power is less than or equal to the signal threshold of DRC. 1: Left DAC signal power is above the signal threshold of DRC.
D2 <sup>(1)</sup>	R	0	0: Right DAC signal power is less than or equal to the signal threshold of DRC. 1: Right DAC signal power is above the signal threshold of DRC.
D1–D0	R	0	Reserved.

(1) Sticky flag bit. These is a read-only bit. This bit is automatically cleared once it is read and is set only if the source trigger occurs again.

**Table 6-62. Page 0 / Register 45 (0x2D): Reserved**

BIT	READ/ WRITE	RESET VALUE	DESCRIPTION
D7–D0	R/W	XXXX XXXX	Reserved. Write only zeros to these bits.

**Table 6-63. Page 0 / Register 46 (0x2E): Interrupt Flags—DAC**

BIT	READ/ WRITE	RESET VALUE	DESCRIPTION
D7	R	0	0: No short circuit detected at HPL / left class-D driver. 1: Short circuit detected at HPL / left class-D driver.
D6	R	0	0: No short circuit detected at HPR / right class-D driver 1: Short circuit detected at HPR / right class-D driver



**Table 6-63. Page 0 / Register 46 (0x2E): Interrupt Flags—DAC (continued)**

BIT	READ/ WRITE	RESET VALUE	DESCRIPTION
D5	R	X	0: No headset button pressed. 1: Headset button pressed.
D4	R	X	0: Headset removal detected. 1: Headset insertion detected.
D3	R	0	0: Left DAC signal power is less than or equal to signal threshold of DRC. 1: Left DAC signal power is greater than signal threshold of DRC.
D2	R	0	0: Right DAC signal power is less than or equal to signal threshold of DRC. 1: Right DAC signal power is greater than signal threshold of DRC.
D1–D0	R	00	Reserved.

**Table 6-64. Page 0 / Register 47 (0x2F): Reserved**

BIT	READ/ WRITE	RESET VALUE	DESCRIPTION
D7–D0	R	0000 0000	Reserved.

**Table 6-65. Page 0 / Register 48 (0x30): INT1 Control Register**

BIT	READ/ WRITE	RESET VALUE	DESCRIPTION
D7	R/W	0	0: Headset-insertion detect interrupt is not used in the generation of INT1 interrupt. 1: Headset-insertion detect interrupt is used in the generation of INT1 interrupt.
D6	R/W	0	0: Button-press detect interrupt is not used in the generation of INT1 interrupt. 1: Button-press detect interrupt is used in the generation of INT1 interrupt.
D5	R/W	0	0: DAC DRC signal-power interrupt is not used in the generation of INT1 interrupt. 1: DAC DRC signal-power interrupt is used in the generation of INT1 interrupt.
D4	R/W	0	Reserved
D3	R/W	0	0: Short-circuit interrupt is not used in the generation of INT1 interrupt. 1: Short-circuit interrupt is used in the generation of INT1 interrupt.
D2	R/W	0	0: DAC data overflow does not result in an INT1 interrupt. 1: DAC data overflow results in an INT1 interrupt.
D1	R/W	0	Reserved
D0	R/W	0	0: INT1 is only one pulse (active-high) of typical 2-ms duration. 1: INT1 is multiple pulses (active-high) of typical 2-ms duration and 4-ms period, until flag register 44 is read by the user.

**Table 6-66. Page 0 / Register 49 (0x31): INT2 Control Register**

BIT	READ/ WRITE	RESET VALUE	DESCRIPTION
D7	R/W	0	0: Headset-insertion detect interrupt is not used in the generation of INT2 interrupt. 1: Headset-insertion detect interrupt is used in the generation of INT2 interrupt.
D6	R/W	0	0: Button-press detect interrupt is not used in the generation of INT2 interrupt. 1: Button-press detect interrupt is used in the generation of INT2 interrupt.
D5	R/W	0	0: DAC DRC signal-power interrupt is not used in the generation of INT2 interrupt. 1: DAC DRC signal-power interrupt is used in the generation of INT2 interrupt.
D4	R/W	0	Reserved
D3	R/W	0	0: Short-circuit interrupt is not used in the generation of INT2 interrupt. 1: Short-circuit interrupt is used in the generation of INT2 interrupt.
D2	R/W	0	0: DAC data overflow does not result in an INT2 interrupt. 1: DAC data overflow results in an INT2 interrupt.
D1	R/W	0	Reserved
D0	R/W	0	0: INT2 is only one pulse (active-high) of typical 2-ms duration. 1: INT2 is multiple pulses (active-high) of typical 2-ms duration and 4-ms period, until flag register 44 is read by the user.

**Table 6-67. Page 0 / Register 50 (0x32): Reserved**

BIT	READ/ WRITE	RESET VALUE	DESCRIPTION
D7-D0	R/W	0000 0000	Reserved. Write only reset values.

**Table 6-68. Page 0 / Register 52 (0x34): Reserved**

BIT	READ/ WRITE	RESET VALUE	DESCRIPTION
D7–D0	R/W	XXXX XXXX	Reserved. Do not write any value other than reset value.

**Table 6-69. Page 0 / Register 53: Reserved**

BIT	READ/ WRITE	RESET VALUE	DESCRIPTION
D7–D0	R	0000 0000	Reserved

**Table 6-70. Page 0 / Register 54 (0x36): DIN (IN Pin) Control**

BIT	READ/ WRITE	RESET VALUE	DESCRIPTION
D7–D3	R/W	0000 0	Reserved
D2–D1	R/W	01	00: DIN disabled (input buffer powered down) 01: DIN enabled (can be used as DIN for codec interface or into ClockGen block) 10: DIN is used as general-purpose input (GPI) 11: Reserved
D0	R	X	DIN input-buffer value

**Table 6-71. Page 0 / Register 55 (0x37) through Page 0 / Register 59 (0x3B): Reserved**

BIT	READ/ WRITE	RESET VALUE	DESCRIPTION
D7–D0	R	XXXX XXXX	Reserved. Do not write to these registers.

**Table 6-72. Page 0 / Register 60 (0x3C): DAC Processing Block Selection**

BIT	READ/ WRITE	RESET VALUE	DESCRIPTION
D7–D5	R/W	000	Reserved. Write only default value.
D4–D0	R/W	00 0001	0 0000: Reserved. Do not use. 0 0001: DAC signal-processing block PRB_P1 0 0010: DAC signal-processing block PRB_P2 0 0011: DAC signal-processing block PRB_P3 0 0100: DAC signal-processing block PRB_P4 ... 1 1000: DAC signal-processing block PRB_P24 1 1001: DAC signal-processing block PRB_P25 1 1010–1 1111: Reserved. Do not use.

**Table 6-73. Page 0 / Register 61 (0x3D) Through Page 0 / Register 62: Reserved**

BIT	READ/ WRITE	RESET VALUE	DESCRIPTION
D7–D0	R	XXXX XXXX	Reserved. Do not write.

**Table 6-74. Page 0 / Register 63 (0x3F): DAC Data-Path Setup**

BIT	READ/ WRITE	RESET VALUE	DESCRIPTION
D7	R/W	0	0: Left-channel DAC is powered down. 1: Left-channel DAC is powered up.
D6	R/W	0	0: Right-channel DAC is powered down. 1: Right-channel DAC is powered up.
D5–D4	R/W	01	00: Left-channel DAC data path = off 01: Left-channel DAC data path = left data 10: Left-channel DAC data path = right data 11: Left-channel DAC data path = left-channel and right-channel data [(L + R) / 2]
D3–D2	R/W	01	00: Right-channel DAC data path = off 01: Right-channel DAC data path = right data 10: Right-channel DAC data path = left data 11: Right-channel DAC data path = left-channel and right-channel data [(L + R) / 2]
D1–D0	R/W	00	00: DAC-channel volume-control soft-stepping is enabled for one step per sample period. 01: DAC-channel volume-control soft-stepping is enabled for one step per two sample periods. 10: DAC-channel volume-control soft-stepping is disabled. 11: Reserved. Do not write this sequence to these bits.

**Table 6-75. Page 0 / Register 64 (0x40): DAC Volume Control**

BIT	READ/ WRITE	RESET VALUE	DESCRIPTION
D7–D4	R/W	0000	Reserved. Write only zeros to these bits.
D3	R/W	1	0: Left-channel DAC not muted 1: Left-channel DAC muted
D2	R/W	1	0: Right-channel DAC not muted 1: Right-channel DAC muted
D1–D0	R/W	00	00: Left and right channels have independent volume control. <sup>(1)</sup> 01: Left-channel volume control is the programmed value of right-channel volume control. 10: Right-channel volume control is the programmed value of left-channel volume control. 11: Same as 00

(1) When DRC is enabled, left and right channel volume controls are always independent. Program bits D1–D0 to 00.

**Table 6-76. Page 0 / Register 65 (0x41): DAC Left Volume Control**

BIT	READ/ WRITE	RESET VALUE	DESCRIPTION
D7–D0	R/W	0000 0000	Left DAC Channel Digital Volume Control Setting 0111 1111–0011 0001: Reserved. Do not use 0011 0000: Digital volume control = 24 dB 0010 1111: Digital volume control = 23.5 dB 0010 1110: Digital volume control = 23 dB ... 0000 0001: Digital volume control = 0.5 dB 0000 0000: Digital volume control = 0 dB 1111 1111: Digital volume control = –0.5 dB ... 1000 0010: Digital volume control = –63 dB 1000 0001: Digital volume control = –63.5 dB 1000 0000: Reserved.

**Table 6-77. Page 0 / Register 66 (0x42): DAC Right Volume Control**

BIT	READ/ WRITE	RESET VALUE	DESCRIPTION
D7–D0	R/W	0000 0000	Right DAC Channel Digital Volume Control Setting 0111 1111–0011 0001: Reserved. Do not use 0011 0000: Digital volume control = 24 dB 0010 1111: Digital volume control = 23.5 dB 0010 1110: Digital volume control = 23 dB ... 0000 0001: Digital volume control = 0.5 dB 0000 0000: Digital volume control = 0 dB 1111 1111: Digital volume control = –0.5 dB ... 1000 0010: = –63 dB 1000 0001: = –63.5 dB 1000 0000: Reserved.

**Table 6-78. Page 0 / Register 67 (0x43): Headset Detection**

BIT	READ/ WRITE	RESET VALUE	DESCRIPTION
D7	R/W	0	0: Headset detection disabled 1: Headset detection enabled
D6–D5	R	XX	00: No headset detected 01: Headset without microphone is detected 10: Reserved 11: Headset with microphone is detected
D4–D2	R/W	000	Debounce Programming for Glitch Rejection During Headset Detection <sup>(1)</sup> 000: 16 ms (sampled with 2-ms clock) 001: 32 ms (sampled with 4-ms clock) 010: 64 ms (sampled with 8-ms clock) 011: 128 ms (sampled with 16-ms clock) 100: 256 ms (sampled with 32-ms clock) 101: 512 ms (sampled with 64-ms clock) 110: Reserved 111: Reserved
D1–D0	R/W	00	Debounce programming for glitch rejection during headset button-press detection 00: 0 ms 01: 8 ms (sampled with 1-ms clock) 10: 16 ms (sampled with 2-ms clock) 11: 32 ms (sampled with 4-ms clock)

(1) Note that these times are generated using the 1 MHz reference clock which is defined in Page 3 / Register 16.

**Table 6-79. Page 0 / Register 68 (0x44): DRC Control 1**

BIT	READ/ WRITE	RESET VALUE	DESCRIPTION
D7	R/W	0	Reserved. Write only the reset value to these bits.
D6	R/W	0	0: DRC disabled for left channel 1: DRC enabled for left channel
D5	R/W	0	0: DRC disabled for right channel 1: DRC enabled for right channel
D4–D2	R/W	011	000: DRC threshold = –3 dB 001: DRC threshold = –6 dB 010: DRC threshold = –9 dB 011: DRC threshold = –12 dB 100: DRC threshold = –15 dB 101: DRC threshold = –18 dB 110: DRC threshold = –21 dB 111: DRC threshold = –24 dB
D1–D0	R/W	11	00: DRC hysteresis = 0 dB 01: DRC hysteresis = 1 dB 10: DRC hysteresis = 2 dB 11: DRC hysteresis = 3 dB

**Table 6-80. Page 0 / Register 69 (0x45): DRC Control 2**

BIT	READ/ WRITE	RESET VALUE	DESCRIPTION
D	R	0	Reserved. Write only the reset value to these bits.
D6–D3	R/W	0111	DRC Hold Time 0000: DRC Hold Disabled 0001: DRC Hold Time = 32 DAC Word Clocks 0010: DRC Hold Time = 64 DAC Word Clocks 0011: DRC Hold Time = 128 DAC Word Clocks 0100: DRC Hold Time = 256 DAC Word Clocks 0101: DRC Hold Time = 512 DAC Word Clocks 0110: DRC Hold Time = 1024 DAC Word Clocks 0111: DRC Hold Time = 2048 DAC Word Clocks 1000: DRC Hold Time = 4096 DAC Word Clocks 1001: DRC Hold Time = 8192 DAC Word Clocks 1010: DRC Hold Time = 16 384 DAC Word Clocks 1011: DRC Hold Time = 32 768 DAC Word Clocks 1100: DRC Hold Time = 65 536 DAC Word Clocks 1101: DRC Hold Time = 98 304 DAC Word Clocks 1110: DRC Hold Time = 131 072 DAC Word Clocks 1111: DRC Hold Time = 163 840 DAC Word Clocks
D2–D0	R	000	Reserved. Write only the reset value to these bits.

**Table 6-81. Page 0 / Register 70 (0x46): DRC Control 3**

BIT	READ/ WRITE	RESET VALUE	DESCRIPTION
D7–D4	R/W	0000	0000: DRC attack rate = 4 dB per DAC Word Clock 0001: DRC attack rate = 2 dB per DAC word clock 0010: DRC attack rate = 1 dB per DAC word clock ... 1110: DRC attack rate = 2.4414e–5 dB per DAC word clock 1111: DRC attack rate = 1.2207e–5 dB per DAC word clock
D3–D0	R/W	0000	Decay Rate is defined as $DR / 2^{[bits\ D3-D0\ value]}$ dB per DAC Word Clock, where DR = 0.015625 dB 0000: DRC decay rate (DR) = 0.015625 dB per DAC Word Clock 0001: DRC decay rate = DR / 2 dB per DAC Word Clock 0010: DRC decay rate = DR / 2 <sup>2</sup> dB per DAC Word Clock 0011: DRC decay rate = DR / 2 <sup>3</sup> dB per DAC Word Clock 0100: DRC decay rate = DR / 2 <sup>4</sup> dB per DAC Word Clock 0101: DRC decay rate = DR / 2 <sup>5</sup> dB per DAC Word Clock 0110: DRC decay rate = DR / 2 <sup>6</sup> dB per DAC Word Clock 0111: DRC decay rate = DR / 2 <sup>7</sup> dB per DAC Word Clock 1000: DRC decay rate = DR / 2 <sup>8</sup> dB per DAC Word Clock 1001: DRC decay rate = DR / 2 <sup>9</sup> dB per DAC Word Clock 1010: DRC decay rate = DR / 2 <sup>10</sup> dB per DAC Word Clock 1011: DRC decay rate = DR / 2 <sup>11</sup> dB per DAC Word Clock 1100: DRC decay rate = DR / 2 <sup>12</sup> dB per DAC Word Clock 1101: DRC decay rate = DR / 2 <sup>13</sup> dB per DAC Word Clock 1110: DRC decay rate = DR / 2 <sup>14</sup> dB per DAC Word Clock 1111: DRC decay rate = DR / 2 <sup>15</sup> dB per DAC Word Clock

**Table 6-82. Page 0 / Register 71 (0x47): Left Beep Generator <sup>(1)</sup>**

BIT	READ/ WRITE	RESET VALUE	DESCRIPTION
D7	R/W	0	0: Beep generator is disabled. 1: Beep generator is enabled (self-clearing based on beep duration).
D6	R/W	0	Reserved. Write only reset value.
D5–D0	R/W	00 0000	00 0000: Left-channel beep volume control = 2 dB 00 0001: Left-channel beep volume control = 1 dB 00 0010: Left-channel beep volume control = 0 dB 00 0011: Left-channel beep volume control = –1 dB ... 11 1110: Left-channel beep volume control = –60 dB 11 1111: Left-channel beep volume control = –61 dB

(1) The beep generator is only available in PRB\_P25 DAC processing mode.

**Table 6-83. Page 0 / Register 72 (0x48): Right Beep Generator**

BIT	READ/ WRITE	RESET VALUE	DESCRIPTION
D7–D6	R/W	00	00: Left and right channels have independent beep volume control. 01: Left-channel beep volume control is the programmed value of right-channel beep volume control. 10: Right-channel beep volume control is the programmed value of left-channel beep volume control. 11: Same as 00
D5–D0	R/W	00 0000	00 0000: Right-channel beep volume control = 2 dB 00 0001: Right-channel beep volume control = 1 dB 00 0010: Right-channel beep volume control = 0 dB 00 0011: Right-channel beep volume control = –1 dB ... 11 1110: Right-channel beep volume control = –60 dB 11 1111: Right-channel beep volume control = –61 dB

**Table 6-84. Page 0 / Register 73 (0x49): Beep Length MSB**

BIT	READ/ WRITE	RESET VALUE	DESCRIPTION
D7–D0	R/W	0000 0000	8 MSBs out of 24 bits for the number of samples for which the beep must be generated.

**Table 6-85. Page 0 / Register 74 (0x4A): Beep-Length Middle Bits**

BIT	READ/ WRITE	RESET VALUE	DESCRIPTION
D7–D0	R/W	0000 0000	8 middle bits out of 24 bits for the number of samples for which the beep must be generated.

**Table 6-86. Page 0 / Register 75 (0x4B): Beep Length LSB**

BIT	READ/ WRITE	RESET VALUE	DESCRIPTION
D7–D0	R/W	1110 1110	8 LSBs out of 24 bits for the number of samples for which beep must be generated.

**Table 6-87. Page 0 / Register 76 (0x4C): Beep Sin(x) MSB**

BIT	READ/ WRITE	RESET VALUE	DESCRIPTION
D7–D0	R/W	0001 0000	8 MSBs out of 16 bits for $\sin(2\pi \times f_{in} / f_S)$ , where $f_{in}$ is the beep frequency and $f_S$ is the DAC sample rate.

**Table 6-88. Page 0 / Register 77 (0x4D): Beep Sin(x) LSB**

BIT	READ/ WRITE	RESET VALUE	DESCRIPTION
D7–D0	R/W	1101 1000	8 LSBs out of 16 bits for $\sin(2\pi \times f_{in} / f_S)$ , where $f_{in}$ is the beep frequency and $f_S$ is the DAC sample rate.

**Table 6-89. Page 0 / Register 78 (0x4E): Beep Cos(x) MSB**

BIT	READ/ WRITE	RESET VALUE	DESCRIPTION
D7–D0	R/W	0111 1110	8 MSBs out of 16 bits for $\cos(2\pi \times f_{in} / f_S)$ , where $f_{in}$ is the beep frequency and $f_S$ is the DAC sample rate.

**Table 6-90. Page 0 / Register 79 (0x4F): Beep Cos(x) LSB**

BIT	READ/ WRITE	RESET VALUE	DESCRIPTION
D7–D0	R/W	1110 0011	8 LSBs out of 16 bits for $\cos(2\pi \times f_{in} / f_S)$ , where $f_{in}$ is the beep frequency and $f_S$ is the DAC sample rate.

**Table 6-91. Page 0 / Register 80 (0x50) Through Page 0 / Register 115 (0x73): Reserved**

BIT	READ/ WRITE	RESET VALUE	DESCRIPTION
D7–D0	R/W	XXXX XXXX	Reserved. Do not write to these registers.

**Table 6-92. Page 0 / Register 116 (0x74): VOL/MICDET-Pin SAR ADC — Volume Control**

BIT	READ/ WRITE	RESET VALUE	DESCRIPTION																											
D7	R/W	0	0: DAC volume control is controlled by control register. (7-bit Vol ADC is powered down) 1: DAC volume control is controlled by pin.																											
D6	R/W	0	0: Internal on-chip RC oscillator is used for the 7-bit Vol ADC for pin volume control. 1: MCLK is used for the 7-bit Vol ADC for pin volume control.																											
D5–D4	R/W	00	00: No hysteresis for volume control ADC output 01: Hysteresis of ±1 bit 10: Hysteresis of ±2 bits 11: Reserved. Do not write this sequence to these bits.																											
D3	R/W	0	Reserved. Write only reset value.																											
D2–D0	R/W	000	Throughput of the 7-bit Vol ADC for pin volume control, frequency based on MCLK or internal oscillator. <table border="1" style="width: 100%; border-collapse: collapse;"> <thead> <tr> <th></th> <th>MCLK = 12 MHz</th> <th>Internal Oscillator Source</th> </tr> </thead> <tbody> <tr> <td>000: Throughput =</td> <td>15.625 Hz</td> <td>10.68 Hz</td> </tr> <tr> <td>001: Throughput =</td> <td>31.25 Hz</td> <td>21.35 Hz</td> </tr> <tr> <td>010: Throughput =</td> <td>62.5 Hz</td> <td>42.71 Hz</td> </tr> <tr> <td>011: Throughput =</td> <td>125 Hz</td> <td>8.2 Hz</td> </tr> <tr> <td>100: Throughput =</td> <td>250 Hz</td> <td>170 Hz</td> </tr> <tr> <td>101: Throughput =</td> <td>500 Hz</td> <td>340 Hz</td> </tr> <tr> <td>110: Throughput =</td> <td>1 kHz</td> <td>680 Hz</td> </tr> <tr> <td>111: Throughput =</td> <td>2 kHz</td> <td>1.37 kHz</td> </tr> </tbody> </table> <p><b>Note:</b> These values are based on a nominal oscillator frequency of 8.2 MHz. The values scale to the actual oscillator frequency.</p>		MCLK = 12 MHz	Internal Oscillator Source	000: Throughput =	15.625 Hz	10.68 Hz	001: Throughput =	31.25 Hz	21.35 Hz	010: Throughput =	62.5 Hz	42.71 Hz	011: Throughput =	125 Hz	8.2 Hz	100: Throughput =	250 Hz	170 Hz	101: Throughput =	500 Hz	340 Hz	110: Throughput =	1 kHz	680 Hz	111: Throughput =	2 kHz	1.37 kHz
	MCLK = 12 MHz	Internal Oscillator Source																												
000: Throughput =	15.625 Hz	10.68 Hz																												
001: Throughput =	31.25 Hz	21.35 Hz																												
010: Throughput =	62.5 Hz	42.71 Hz																												
011: Throughput =	125 Hz	8.2 Hz																												
100: Throughput =	250 Hz	170 Hz																												
101: Throughput =	500 Hz	340 Hz																												
110: Throughput =	1 kHz	680 Hz																												
111: Throughput =	2 kHz	1.37 kHz																												

**Table 6-93. Page 0 / Register 117 (0x75): VOL/MICDET-Pin Gain**

BIT	READ/ WRITE	RESET VALUE	DESCRIPTION
D7	R/W	0	Reserved. Write only zero to this bit.
D6–D0	R	XXX XXXX	000 0000: Gain applied by pin volume control = 18 dB 000 0001: Gain applied by pin volume control = 17.5 dB 000 0010: Gain applied by pin volume control = 17 dB ... 010 0011: Gain applied by pin volume control = 0.5 dB 010 0100: Gain applied by pin volume control = 0 dB 010 0101: Gain applied by pin volume control = –0.5 dB ... 101 1001: Gain applied by pin volume control = –26.5 dB 101 1010: Gain applied by pin volume control = –27 dB 101 1011: Gain applied by pin volume control = –28 dB ... 111 1101: Gain applied by pin volume control = –62 dB 111 1110: Gain applied by pin volume control = –63 dB 111 1111: Reserved.

**Table 6-94. Page 0 / Register 118 (0x76) Through Page 0 / Register 127 (0x7F): Reserved**

BIT	READ/ WRITE	RESET VALUE	DESCRIPTION
D7–D0	R/W	XXXX XXXX	Reserved. Do not write to these registers.



**6.4.2.2 Control Registers, Page 1: DAC, Power-Controls, and MISC Logic-Related Programmability**
**Table 6-95. Page 1 / Register 0 (0x00): Page Control Register**

BIT	READ/ WRITE	RESET VALUE	DESCRIPTION
D7–D0	R/W	0000 0000	0000 0000: Page 0 selected 0000 0001: Page 1 selected ... 1111 1110: Page 254 selected 1111 1111: Page 255 selected

**Table 6-96. Page 1 / Register 1 (0x01) Through Page 1 / Register 29 (0x1D): Reserved**

BIT	READ/ WRITE	RESET VALUE	DESCRIPTION
D7–D0	R/W	XXXX XXXX	Reserved. Do not write to these registers.

**Table 6-97. Page 1 / Register 30 (0x1E): Headphone and Speaker Amplifier Error Control**

BIT	READ/ WRITE	RESET VALUE	DESCRIPTION
D7–D2	R/W	0000 00	Reserved
D1	R/W	0	0: Reset SPL and SPR power-up control bits on short-circuit detection. 1: SPL and SPR power-up control bits remain unchanged on short-circuit detection.
D0	R/W	0	0: Reset HPL and HPR power-up control bits on short-circuit detection if page 1 / register 31, D1 = 1. 1: HPL and HPR power-up control bits remain unchanged on short-circuit detection.

**Table 6-98. Page 1 / Register 31 (0x1F): Headphone Drivers**

BIT	READ/ WRITE	RESET VALUE	DESCRIPTION
D7	R/W	0	0: HPL output driver is powered down. 1: HPL output driver is powered up.
D6	R/W	0	0: HPR output driver is powered down. 1: HPR output driver is powered up.
D5	R/W	0	Reserved. Write only zero to this bit.
D4–D3	R/W	0	00: Output common-mode voltage = 1.35 V 01: Output common-mode voltage = 1.5 V 10: Output common-mode voltage = 1.65 V 11: Output common-mode voltage = 1.8 V
D2	R/W	1	Reserved. Write only 1 to this bit.
D1	R/W	0	0: If short-circuit protection is enabled for headphone driver and short circuit detected, device limits the maximum current to the load. 1: If short-circuit protection is enabled for headphone driver and short circuit detected, device powers down the output driver.
D0	R	0	0: Short circuit is not detected on the headphone driver. 1: Short circuit is detected on the headphone driver.

**Table 6-99. Page 1 / Register 32 (0x20): Class-D Speaker Amplifier**

BIT	READ/ WRITE	RESET VALUE	DESCRIPTION
D7	R/W	0	0: Left-channel class-D output driver is powered down. 1: Left-channel class-D output driver is powered up.
D6	R/W	0	0: Right-channel class-D output driver is powered down. 1: Right-channel class-D output driver is powered up.
D5–D1	R/W	00 011	Reserved. Write only the reset value to this bit.
D0	R	0	0: Short circuit is not detected on the class-D driver. Valid only if class-D amplifier is powered up. For short-circuit flag sticky bit, see page 0 / register 44. 1: Short circuit is detected on the class-D driver. Valid only if class-D amp is powered-up. For short-circuit flag sticky bit, see page 0 / register 44.

**Table 6-100. Page 1 / Register 33 (0x21): HP Output Drivers POP Removal Settings**

BIT	READ/ WRITE	RESET VALUE	DESCRIPTION
D7	R/W	0	0: If the power down sequence is activated by device software, power down using page 1 / register 46, bit D7, then power down the DAC simultaneously with the HP and SP amplifiers. 1: If the power down sequence is activated by device software, power down using page 1 / register 46, bit D7, then power down DAC only after HP and SP amplifiers are completely powered down. This is to optimize power-down POP.
D6–D3	R/W	0111	0000: Driver power-on time = 0 $\mu$ s 0001: Driver power-on time = 15.3 $\mu$ s 0010: Driver power-on time = 153 $\mu$ s 0011: Driver power-on time = 1.53 ms 0100: Driver power-on time = 15.3 ms 0101: Driver power-on time = 76.2 ms 0110: Driver power-on time = 153 ms 0111: Driver power-on time = 304 ms 1000: Driver power-on time = 610 ms 1001: Driver power-on time = 1.22 s 1010: Driver power-on time = 3.04 s 1011: Driver power-on time = 6.1 s 1100–1111: Reserved. Do not write these sequences to these bits. <b>Note:</b> These values are based on typical oscillator frequency of 8.2 MHz. Scale according to the actual oscillator frequency.
D2–D1	R/W	11	00: Driver ramp-up step time = 0 ms 01: Driver ramp-up step time = 0.98 ms 10: Driver ramp-up step time = 1.95 ms 11: Driver ramp-up step time = 3.9 ms <b>Note:</b> These values are based on typical oscillator frequency of 8.2 MHz. Scale according to the actual oscillator frequency.
D0	R/W	0	0: Weakly driven output common-mode voltage is generated from resistor divider of the AVDD supply. 1: Reserved

**Table 6-101. Page 1 / Register 34 (0x22): Output Driver PGA Ramp-Down Period Control**

BIT	READ/ WRITE	RESET VALUE	DESCRIPTION
D7	R/W	0	Reserved. Write only the reset value to this bit.
D6–D4	R/W	000	Speaker power-up wait time (duration based on using internal oscillator) 000: Wait time = 0 ms 001: Wait time = 3.04 ms 010: Wait time = 7.62 ms 011: Wait time = 12.2 ms 100: Wait time = 15.3 ms 101: Wait time = 19.8 ms 110: Wait time = 24.4 ms 111: Wait time = 30.5 ms <b>Note:</b> These values are based on typical oscillator frequency of 8.2 MHz. Scale according to the actual oscillator frequency.
D3–D0	R/W	0000	Reserved. Write only the reset value to these bits.

**Table 6-102. Page 1 / Register 35 (0x23): DAC\_L and DAC\_R Output Mixer Routing**

BIT	READ/ WRITE	RESET VALUE	DESCRIPTION
D7–D6	R/W	00	00: DAC_L is not routed anywhere. 01: DAC_L is routed to the left-channel mixer amplifier. 10: DAC_L is routed directly to the HPL driver. 11: Reserved
D5	R/W	0	0: AIN1 input is not routed to the left-channel mixer amplifier. 1: AIN1 input is routed to the left-channel mixer amplifier.
D4		0	0: AIN2 input is not routed to the left-channel mixer amplifier. 1: AIN2 input is routed to the left-channel mixer amplifier.

**Table 6-102. Page 1 / Register 35 (0x23): DAC\_L and DAC\_R Output Mixer Routing (continued)**

BIT	READ/ WRITE	RESET VALUE	DESCRIPTION
D3–D2	R/W	00	00: DAC_R is not routed anywhere. 01: DAC_R is routed to the right-channel mixer amplifier. 10: DAC_R is routed directly to the HPR driver. 11: Reserved
D1	R/W	0	0: AIN2 input is not routed to the right-channel mixer amplifier. 1: AIN2 input is routed to the right-channel mixer amplifier.
D0	R/W	0	0: HPL driver output is not routed to the HPR driver. 1: HPL driver output is routed to the HPR driver input (used for differential output mode).

**Table 6-103. Page 1 / Register 36 (0x24): Left Analog Volume to HPL**

BIT	READ/ WRITE	RESET VALUE	DESCRIPTION
D7	R/W	0	0: Left-channel analog volume control is not routed to HPL output driver. 1: Left-channel analog volume control is routed to HPL output driver.
D6–D0	R/W	111 1111	Left-channel analog volume control gain (non-linear) for the HPL output driver, 0 dB to –78 dB. See <a href="#">Table 6-24</a> .

**Table 6-104. Page 1 / Register 37 (0x25): Right Analog Volume to HPR**

BIT	READ/ WRITE	RESET VALUE	DESCRIPTION
D7	R/W	0	0: Right-channel analog volume control output is not routed to HPR output driver. 1: Right-channel analog volume control is routed to HPR output driver.
D6–D0	R/W	111 1111	Right-channel analog volume control gain (non-linear) for the HPR output driver, 0 dB to –78 dB. See <a href="#">Table 6-24</a> .

**Table 6-105. Page 1 / Register 38 (0x26): Left Analog Volume to SPL**

BIT	READ/ WRITE	RESET VALUE	DESCRIPTION
D7	R/W	0	0: Left-channel analog volume control output is not routed to left-channel class-D output driver. 1: Left-channel analog volume control output is routed to left-channel class-D output driver.
D6–D0	R/W	111 1111	Left-channel analog volume control output gain (non-linear) for the left-channel class-D output driver, 0 dB to –78 dB. See <a href="#">Table 6-24</a> .

**Table 6-106. Page 1 / Register 39 (0x27): Right Analog Volume to SPR**

BIT	READ/ WRITE	RESET VALUE	DESCRIPTION
D7	R/W	0	0: Right-channel analog volume control output is not routed to right-channel class-D output driver. 1: Right-channel analog volume control output is routed to right-channel class-D output driver.
D6–D0	R/W	111 1111	Right-channel analog volume control output gain (non-linear) for the right-channel class-D output driver, 0 dB to –78 dB. See and <a href="#">Table 6-24</a> .

**Table 6-107. Page 1 / Register 40 (0x28): HPL Driver**

BIT	READ/ WRITE	RESET VALUE	DESCRIPTION
D7	R/W	0	Reserved. Write only zero to this bit.
D6–D3	R/W	0000	0000: HPL driver PGA = 0 dB 0001: HPL driver PGA = 1 dB 0010: HPL driver PGA = 2 dB ... 1000: HPL driver PGA = 8 dB 1001: HPL driver PGA = 9 dB 1010–1111: Reserved. Do not write these sequences to these bits.
D2	R/W	0	0: HPL driver is muted. 1: HPL driver is not muted.

**Table 6-107. Page 1 / Register 40 (0x28): HPL Driver (continued)**

BIT	READ/ WRITE	RESET VALUE	DESCRIPTION
D1	R/W	1	Reserved
D0	R	0	0: Not all programmed gains to HPL have been applied yet. 1: All programmed gains to HPL have been applied.

**Table 6-108. Page 1 / Register 41 (0x29): HPR Driver**

BIT	READ/ WRITE	RESET VALUE	DESCRIPTION
D7	R/W	0	Reserved. Write only zero to this bit.
D6–D3	R/W	0000	0000: HPR driver PGA = 0 dB 0001: HPR driver PGA = 1 dB 0010: HPR driver PGA = 2 dB ... 1000: HPR driver PGA = 8 dB 1001: HPR driver PGA = 9 dB 1010–1111: Reserved. Do not write these sequences to these bits.
D2	R/W	0	0: HPR driver is muted. 1: HPR driver is not muted.
D1	R/W	1	Reserved. Write only '1' to this bit.
D0	R	0	0: Not all programmed gains to HPR have been applied yet. 1: All programmed gains to HPR have been applied.

**Table 6-109. Page 1 / Register 42 (0x2A): SPL Driver**

BIT	READ/ WRITE	RESET VALUE	DESCRIPTION
D7–D5	R/W	000	Reserved. Write only zeros to these bits.
D4–D3	R/W	00	00: Left-channel class-D driver output stage gain = 6 dB 01: Left-channel class-D driver output stage gain = 12 dB 10: Left-channel class-D driver output stage gain = 18 dB 11: Left-channel class-D driver output stage gain = 24 dB
D2	R/W	0	0: Left-channel class-D driver is muted. 1: Left-channel class-D driver is not muted.
D1	R/W	0	Reserved. Write only zero to this bit.
D0	R	0	0: Not all programmed gains to the Left-channel class-D driver have been applied yet. 1: All programmed gains to the Left-channel class-D driver have been applied.

**Table 6-110. Page 1 / Register 43 (0x2B): SPR Driver**

BIT	READ/ WRITE	RESET VALUE	DESCRIPTION
D7–D5	R/W	000	Reserved. Write only zeros to these bits.
D4–D3	R/W	00	00: Right-channel class-D driver output stage gain = 6 dB 01: Right-channel class-D driver output stage gain = 12 dB 10: Right-channel class-D driver output stage gain = 18 dB 11: Right-channel class-D driver output stage gain = 24 dB
D2	R/W	0	0: Right-channel class-D driver is muted. 1: Right-channel class-D driver is not muted.
D1	R/W	0	Reserved. Write only zero to this bit.
D0	R	0	0: Not all programmed gains to right-channel class-D driver have been applied yet. 1: All programmed gains to right-channel class-D driver have been applied.

**Table 6-111. Page 1 / Register 44 (0x2C): HP Driver Control**

BIT	READ/ WRITE	RESET VALUE	DESCRIPTION																								
D7–D5	R/W	000	Debounce time for the headset short-circuit detection																								
			<table border="1"> <thead> <tr> <th>(1)</th> <th>MCLK/DIV (Page 3 / register 16) = 1-MHz Source</th> <th>Internal Oscillator Source</th> </tr> </thead> <tbody> <tr> <td>000: Debounce time =</td> <td>0 <math>\mu</math>s</td> <td>0 <math>\mu</math>s</td> </tr> <tr> <td>001: Debounce time =</td> <td>8 <math>\mu</math>s</td> <td>7.8 <math>\mu</math>s</td> </tr> <tr> <td>010: Debounce time =</td> <td>16 <math>\mu</math>s</td> <td>15.6 <math>\mu</math>s</td> </tr> <tr> <td>011: Debounce time =</td> <td>32 <math>\mu</math>s</td> <td>31.2 <math>\mu</math>s</td> </tr> <tr> <td>100: Debounce time =</td> <td>64 <math>\mu</math>s</td> <td>62.4 <math>\mu</math>s</td> </tr> <tr> <td>101: Debounce time =</td> <td>128 <math>\mu</math>s</td> <td>124.9 <math>\mu</math>s</td> </tr> <tr> <td>110: Debounce time =</td> <td>256 <math>\mu</math>s</td> <td>250 <math>\mu</math>s</td> </tr> <tr> <td>111: Debounce time =</td> <td>512 <math>\mu</math>s</td> <td>500 <math>\mu</math>s</td> </tr> </tbody> </table> <p><b>Note:</b> These values are based on a nominal oscillator frequency of 8.2 MHz. The values scale to the actual oscillator frequency.</p>	(1)	MCLK/DIV (Page 3 / register 16) = 1-MHz Source	Internal Oscillator Source	000: Debounce time =	0 $\mu$ s	0 $\mu$ s	001: Debounce time =	8 $\mu$ s	7.8 $\mu$ s	010: Debounce time =	16 $\mu$ s	15.6 $\mu$ s	011: Debounce time =	32 $\mu$ s	31.2 $\mu$ s	100: Debounce time =	64 $\mu$ s	62.4 $\mu$ s	101: Debounce time =	128 $\mu$ s	124.9 $\mu$ s	110: Debounce time =	256 $\mu$ s	250 $\mu$ s
(1)	MCLK/DIV (Page 3 / register 16) = 1-MHz Source	Internal Oscillator Source																									
000: Debounce time =	0 $\mu$ s	0 $\mu$ s																									
001: Debounce time =	8 $\mu$ s	7.8 $\mu$ s																									
010: Debounce time =	16 $\mu$ s	15.6 $\mu$ s																									
011: Debounce time =	32 $\mu$ s	31.2 $\mu$ s																									
100: Debounce time =	64 $\mu$ s	62.4 $\mu$ s																									
101: Debounce time =	128 $\mu$ s	124.9 $\mu$ s																									
110: Debounce time =	256 $\mu$ s	250 $\mu$ s																									
111: Debounce time =	512 $\mu$ s	500 $\mu$ s																									
D4–D3	R/W	00	00: Default mode for the DAC 01: DAC performance increased by increasing the current 10: Reserved 11: DAC performance increased further by increasing the current again																								
D2	R/W	0	0: HPL output driver is programmed as headphone driver. 1: HPL output driver is programmed as lineout driver.																								
D1	R/W	0	0: HPR output driver is programmed as headphone driver. 1: HPR output driver is programmed as lineout driver.																								
D0	R/W	0	Reserved. Write only zero to this bit.																								

(1) The clock used for the debounce has a clock period = debounce duration / 8.

**Table 6-112. Page 1 / Register 45 (0x2D): Reserved**

BIT	READ/ WRITE	RESET VALUE	DESCRIPTION
D7–D0	R/W	XXXX XXXX	Reserved. Do not write to these registers.

**Table 6-113. Page 1 / Register 46 (0x2E): MICBIAS**

BIT	READ/ WRITE	RESET VALUE	DESCRIPTION
D7	R/W	0	0: Device software power down is not enabled. 1: Device software power down is enabled.
D6–D4	R/W	000	Reserved. Write only zeros to these bits.
D3	R/W	0	0: Programmed MICBIAS is not powered up if headset detection is enabled but headset is not inserted. 1: Programmed MICBIAS is powered up even if headset is not inserted.
D2	R/W	0	Reserved. Write only zero to this bit.
D1–D0	R/W	00	00: MICBIAS output is powered down. 01: MICBIAS output is powered to 2 V. 10: MICBIAS output is powered to 2.5 V. 11: MICBIAS output is powered to AVDD.

**Table 6-114. Page 1 / Register 50 (0x32): Input CM Settings**

BIT	READ/ WRITE	RESET VALUE	DESCRIPTION
D7	R/W	0	0: AIN1 input is floating, if it is not used for the analog bypass. 1: AIN1 input is connected to CM internally, if it is not used for the analog bypass.
D6	R/W	0	0: AIN2 input is floating, if it is not used for the analog bypass. 1: AIN2 input is connected to CM internally, if it is not used for the analog bypass.
D5–D0	R/W	00 0000	Reserved. Write only zeros to these bits.

**Table 6-115. Page 1 / Register 51 (0x33) Through Page 1 / Register 127 (0x7F): Reserved**

BIT	READ/ WRITE	RESET VALUE	DESCRIPTION
D7–D0	R/W	XXXX XXXX	Reserved. Write only the reset value to these bits.

### 6.4.2.3 Control Registers, Page 3: MCLK Divider for Programmable Delay Timer

Default values shown for this page only become valid 100  $\mu$ s following a hardware or software reset.

**Table 6-116. Page 3 / Register 0 (0x00): Page Control Register**

BIT	READ/ WRITE	RESET VALUE	DESCRIPTION
D7–D0	R/W	0000 0000	0000 0000: Page 0 selected 0000 0001: Page 1 selected ... 1111 1110: Page 254 selected 1111 1111: Page 255 selected

The only register used in page 3 is register 16. The remaining page-3 registers are reserved and must not be written to.

**Table 6-117. Page 3 / Register 16 (0x10): Timer Clock MCLK Divider**

BIT	READ/ WRITE	RESET VALUE	DESCRIPTION
D7	R/W	1	0: Internal oscillator is used for programmable delay timer. 1: External MCLK <sup>(1)</sup> is used for programmable delay timer.
D6–D0	R/W	000 0001	MCLK Divider to Generate 1-MHz Clock for the Programmable Delay Timer 000 0000: MCLK divider = 128 000 0001: MCLK divider = 1 000 0010: MCLK divider = 2 ... 111 1110: MCLK divider = 126 111 1111: MCLK divider = 127

(1) External clock is used only to control the delay programmed between the conversions and not used for doing the actual conversion. This feature is provided in case a more accurate delay is desired because the internal oscillator frequency varies from device to device.

### 6.4.2.4 Control Registers, Page 8: DAC Programmable Coefficients RAM Buffer A (1:63)

Default values shown for this page only become valid 100  $\mu$ s following a hardware or software reset.

**Table 6-118. Page 8 / Register 0 (0x00): Page Control Register**

BIT	READ/ WRITE	RESET VALUE	DESCRIPTION
D7–D0	R/W	0000 0000	0000 0000: Page 0 selected 0000 0001: Page 1 selected ... 1111 1110: Page 254 selected 1111 1111: Page 255 selected

The remaining page-8 registers are either reserved registers or are used for setting coefficients for the various filters in the . Reserved registers must not be written to.

The filter coefficient registers are arranged in pairs, with two adjacent 8-bit registers containing the 16-bit coefficient for a single filter. The 16-bit integer contained in the MSB and LSB registers for a coefficient are interpreted as a 2s-complement integer, with possible values ranging from –32 768 to 32 767. When programming any coefficient value for a filter, the MSB register must always be written first, immediately followed by the LSB register. Even if only the MSB or LSB portion of the coefficient changes, both registers must be written in this sequence. is a list of the page-8 registers, excepting the previously described register 0.

**Table 6-119. Page 8 / Register 1 (0x01): DAC Coefficient RAM Control**

BIT	READ/ WRITE	RESET VALUE	DESCRIPTION
D7–D3	R/W	0000 0	Reserved. Write only the reset value.

**Table 6-119. Page 8 / Register 1 (0x01): DAC Coefficient RAM Control (continued)**

BIT	READ/ WRITE	RESET VALUE	DESCRIPTION
D2	R/W	0	DAC Adaptive Filtering Control 0: Adaptive filtering disabled in DAC processing block 1: Adaptive filtering enabled in DAC processing block
D1	R	0	DAC Adaptive Filter Buffer Control Flag 0: In adaptive filter mode, DAC processing block accesses DAC coefficient Buffer A and the external control interface accesses DAC coefficient Buffer B 1: In adaptive filter mode, DAC processing block accesses DAC coefficient Buffer B and the external control interface accesses DAC coefficient Buffer A
D0	R/W	0	DAC Adaptive Filter Buffer Switch Control 0: DAC coefficient buffers are not switched at the next frame boundary. 1: DAC coefficient buffers are switched at the next frame boundary, if adaptive filtering mode is enabled. This bit self-clears on switching.

**Table 6-120. Page-8 DAC Buffer A Registers**

REGISTER NUMBER	RESET VALUE	REGISTER NAME
2 (0x02)	0111 1111	Coefficient N0(15:8) for left DAC-programmable biquad A
3 (0x03)	1111 1111	Coefficient N0(7:0) for left DAC-programmable biquad A
4 (0x04)	0000 0000	Coefficient N1(15:8) for left DAC-programmable biquad A
5 (0x05)	0000 0000	Coefficient N1(7:0) for left DAC-programmable biquad A
6 (0x06)	0000 0000	Coefficient N2(15:8) for left DAC-programmable biquad A
7 (0x07)	0000 0000	Coefficient N2(7:0) for left DAC-programmable biquad A
8 (0x08)	0000 0000	Coefficient D1(15:8) for left DAC-programmable biquad A
9 (0x09)	0000 0000	Coefficient D1(7:0) for left DAC-programmable biquad A
10 (0x0A)	0000 0000	Coefficient D2(15:8) for left DAC-programmable biquad A
11 (0x0B)	0000 0000	Coefficient D2(7:0) for left DAC-programmable biquad A
12 (0x0C)	0111 1111	Coefficient N0(15:8) for left DAC-programmable biquad B
13 (0x0D)	1111 1111	Coefficient N0(7:0) for left DAC-programmable biquad B
14 (0x0E)	0000 0000	Coefficient N1(15:8) for left DAC-programmable biquad B
15 (0x0F)	0000 0000	Coefficient N1(7:0) for left DAC-programmable biquad B
16 (0x10)	0000 0000	Coefficient N2(15:8) for left DAC-programmable biquad B
17 (0x11)	0000 0000	Coefficient N2(7:0) for left DAC-programmable biquad B
18 (0x12)	0000 0000	Coefficient D1(15:8) for left DAC-programmable biquad B
19 (0x13)	0000 0000	Coefficient D1(7:0) for left DAC-programmable biquad B
20 (0x14)	0000 0000	Coefficient D2(15:8) for left DAC-programmable biquad B
21 (0x15)	0000 0000	Coefficient D2(7:0) for left DAC-programmable biquad B
22 (0x16)	0111 1111	Coefficient N0(15:8) for left DAC-programmable biquad C
23 (0x17)	1111 1111	Coefficient N0(7:0) for left DAC-programmable biquad C
24 (0x18)	0000 0000	Coefficient N1(15:8) for left DAC-programmable biquad C
25 (0x19)	0000 0000	Coefficient N1(7:0) for left DAC-programmable biquad C
26 (0x1A)	0000 0000	Coefficient N2(15:8) for left DAC-programmable biquad C
27 (0x1B)	0000 0000	Coefficient N2(7:0) for left DAC-programmable biquad C
28 (0x1C)	0000 0000	Coefficient D1(15:8) for left DAC-programmable biquad C
29 (0x1D)	0000 0000	Coefficient D1(7:0) for left DAC-programmable biquad C
30 (0x1E)	0000 0000	Coefficient D2(15:8) for left DAC-programmable biquad C
31 (0x1F)	0000 0000	Coefficient D2(7:0) for left DAC-programmable biquad C
32 (0x20)	0111 1111	Coefficient N0(15:8) for left DAC-programmable biquad D
33 (0x21)	1111 1111	Coefficient N0(7:0) for left DAC-programmable biquad D
34 (0x22)	0000 0000	Coefficient N1(15:8) for left DAC-programmable biquad D
35 (0x23)	0000 0000	Coefficient N1(7:0) for left DAC-programmable biquad D



**Table 6-120. Page-8 DAC Buffer A Registers (continued)**

REGISTER NUMBER	RESET VALUE	REGISTER NAME
36 (0x24)	0000 0000	Coefficient N2(15:8) for left DAC-programmable biquad D
37 (0x25)	0000 0000	Coefficient N2(7:0) for left DAC-programmable biquad D
38 (0x26)	0000 0000	Coefficient D1(15:8) for left DAC-programmable biquad D
39 (0x27)	0000 0000	Coefficient D1(7:0) for left DAC-programmable biquad D
40 (0x28)	0000 0000	Coefficient D2(15:8) for left DAC-programmable biquad D
41 (0x29)	0000 0000	Coefficient D2(7:0) for left DAC-programmable biquad D
42 (0x2A)	0111 1111	Coefficient N0(15:8) for left DAC-programmable biquad E
43 (0x2B)	1111 1111	Coefficient N0(7:0) for left DAC-programmable biquad E
44 (0x2C)	0000 0000	Coefficient N1(15:8) for left DAC-programmable biquad E
45 (0x2D)	0000 0000	Coefficient N1(7:0) for left DAC-programmable biquad E
46 (0x2E)	0000 0000	Coefficient N2(15:8) for left DAC-programmable biquad E
47 (0x2F)	0000 0000	Coefficient N2(7:0) for left DAC-programmable biquad E
48 (0x30)	0000 0000	Coefficient D1(15:8) for left DAC-programmable biquad E
49 (0x31)	0000 0000	Coefficient D1(7:0) for left DAC-programmable biquad E
50 (0x32)	0000 0000	Coefficient D2(15:8) for left DAC-programmable biquad E
51 (0x33)	0000 0000	Coefficient D2(7:0) for left DAC-programmable biquad E
52 (0x34)	0111 1111	Coefficient N0(15:8) for left DAC-programmable biquad F
53 (0x35)	1111 1111	Coefficient N0(7:0) for left DAC-programmable biquad F
54 (0x36)	0000 0000	Coefficient N1(15:8) for left DAC-programmable biquad F
55 (0x37)	0000 0000	Coefficient N1(7:0) for left DAC-programmable biquad F
56 (0x38)	0000 0000	Coefficient N2(15:8) for left DAC-programmable biquad F
57 (0x39)	0000 0000	Coefficient N2(7:0) for left DAC-programmable biquad F
58 (0x3A)	0000 0000	Coefficient D1(15:8) for left DAC-programmable biquad F
59 (0x3B)	0000 0000	Coefficient D1(7:0) for left DAC-programmable biquad F
60 (0x3C)	0000 0000	Coefficient D2(15:8) for left DAC-programmable biquad F
61 (0x3D)	0000 0000	Coefficient D2(7:0) for left DAC-programmable biquad F
62 (0x3E)	0000 0000	Reserved
63 (0x3F)	0000 0000	Reserved
64 (0x40)	0000 0000	8 MSBs of 3D PGA gain for PRB_P23, PRB_P24 and PRB_P25
65 (0x41)	0000 0000	8 LSBs of 3D PGA gain for PRB_P23, PRB_P24 and PRB_P25
66 (0x42)	0111 1111	Coefficient N0(15:8) for right DAC-programmable biquad A
67 (0x43)	1111 1111	Coefficient N0(7:0) for right DAC-programmable biquad A
68 (0x44)	0000 0000	Coefficient N1(15:8) for right DAC-programmable biquad A
69 (0x45)	0000 0000	Coefficient N1(7:0) for right DAC-programmable biquad A
70 (0x46)	0000 0000	Coefficient N2(15:8) for right DAC-programmable biquad A
71 (0x47)	0000 0000	Coefficient N2(7:0) for right DAC-programmable biquad A
72 (0x48)	0000 0000	Coefficient D1(15:8) for right DAC-programmable biquad A
73 (0x49)	0000 0000	Coefficient D1(7:0) for right DAC-programmable biquad A
74 (0x4A)	0000 0000	Coefficient D2(15:8) for right DAC-programmable biquad A
75 (0x4B)	0000 0000	Coefficient D2(7:0) for right DAC-programmable biquad A
76 (0x4C)	0111 1111	Coefficient N0(15:8) for right DAC-programmable biquad B
77 (0x4D)	1111 1111	Coefficient N0(7:0) for right DAC-programmable biquad B
78 (0x4E)	0000 0000	Coefficient N1(15:8) for right DAC-programmable biquad B
79 (0x4F)	0000 0000	Coefficient N1(7:0) for right DAC-programmable biquad B
80 (0x50)	0000 0000	Coefficient N2(15:8) for right DAC-programmable biquad B
81 (0x51)	0000 0000	Coefficient N2(7:0) for right DAC-programmable biquad B
82 (0x52)	0000 0000	Coefficient D1(15:8) for right DAC-programmable biquad B

**Table 6-120. Page-8 DAC Buffer A Registers (continued)**

REGISTER NUMBER	RESET VALUE	REGISTER NAME
83 (0x53)	0000 0000	Coefficient D1(7:0) for right DAC-programmable biquad B
84 (0x54)	0000 0000	Coefficient D2(15:8) for right DAC-programmable biquad B
85 (0x55)	0000 0000	Coefficient D2(7:0) for right DAC-programmable biquad B
86 (0x56)	0111 1111	Coefficient N0(15:8) for right DAC-programmable biquad C
87 (0x57)	1111 1111	Coefficient N0(7:0) for right DAC-programmable biquad C
88 (0x58)	0000 0000	Coefficient N1(15:8) for right DAC-programmable biquad C
89 (0x59)	0000 0000	Coefficient N1(7:0) for right DAC-programmable biquad C
90 (0x5A)	0000 0000	Coefficient N2(15:8) for right DAC-programmable biquad C
91 (0x5B)	0000 0000	Coefficient N2(7:0) for right DAC-programmable biquad C
92 (0x5C)	0000 0000	Coefficient D1(15:8) for right DAC-programmable biquad C
93 (0x5D)	0000 0000	Coefficient D1(7:0) for right DAC-programmable biquad C
94 (0x5E)	0000 0000	Coefficient D2(15:8) for right DAC-programmable biquad C
95 (0x5F)	0000 0000	Coefficient D2(7:0) for right DAC-programmable biquad C
96 (0x60)	0111 1111	Coefficient N0(15:8) for right DAC-programmable biquad D
97 (0x61)	1111 1111	Coefficient N0(7:0) for right DAC-programmable biquad D
98 (0x62)	0000 0000	Coefficient N1(15:8) for right DAC-programmable biquad D
99 (0x63)	0000 0000	Coefficient N1(7:0) for right DAC-programmable biquad D
100 (0x64)	0000 0000	Coefficient N2(15:8) for right DAC-programmable biquad D
101 (0x65)	0000 0000	Coefficient N2(7:0) for right DAC-programmable biquad D
102 (0x66)	0000 0000	Coefficient D1(15:8) for right DAC-programmable biquad D
103 (0x67)	0000 0000	Coefficient D1(7:0) for right DAC-programmable biquad D
104 (0x68)	0000 0000	Coefficient D2(15:8) for right DAC-programmable biquad D
105 (0x69)	0000 0000	Coefficient D2(7:0) for right DAC-programmable biquad D
106 (0x6A)	0111 1111	Coefficient N0(15:8) for right DAC-programmable biquad E
107 (0x6B)	1111 1111	Coefficient N0(7:0) for right DAC-programmable biquad E
108 (0x6C)	0000 0000	Coefficient N1(15:8) for right DAC-programmable biquad E
109 (0x6D)	0000 0000	Coefficient N1(7:0) for right DAC-programmable biquad E
110 (0x6E)	0000 0000	Coefficient N2(15:8) for right DAC-programmable biquad E
111 (0x6F)	0000 0000	Coefficient N2(7:0) for right DAC-programmable biquad E
112 (0x70)	0000 0000	Coefficient D1(15:8) for right DAC-programmable biquad E
113 (0x71)	0000 0000	Coefficient D1(7:0) for right DAC-programmable biquad E
114 (0x72)	0000 0000	Coefficient D2(15:8) for right DAC-programmable biquad E
115 (0x73)	0000 0000	Coefficient D2(7:0) for right DAC-programmable biquad E
116 (0x74)	0111 1111	Coefficient N0(15:8) for right DAC-programmable biquad F
117 (0x75)	1111 1111	Coefficient N0(7:0) for right DAC-programmable biquad F
118 (0x76)	0000 0000	Coefficient N1(15:8) for right DAC-programmable biquad F
119 (0x77)	0000 0000	Coefficient N1(7:0) for right DAC-programmable biquad F
120 (0x78)	0000 0000	Coefficient N2(15:8) for right DAC-programmable biquad F
121 (0x79)	0000 0000	Coefficient N2(7:0) for right DAC-programmable biquad F
122 (0x7A)	0000 0000	Coefficient D1(15:8) for right DAC-programmable biquad F
123 (0x7B)	0000 0000	Coefficient D1(7:0) for right DAC-programmable biquad F
124 (0x7C)	0000 0000	Coefficient D2(15:8) for right DAC-programmable biquad F
125 (0x7D)	0000 0000	Coefficient D2(7:0) for right DAC-programmable biquad F
126–127	0000 0000	Reserved

### 6.4.2.5 Control Registers, Page 9: DAC Programmable Coefficients RAM Buffer A (65:127)

Default values shown for this page only become valid 100  $\mu$ s following a hardware or software reset.

**Table 6-121. Page 9 / Register 0 (0x00): Page Control Register**

BIT	READ/ WRITE	RESET VALUE	DESCRIPTION
D7–D0	R/W	0000 0000	0000 0000: Page 0 selected 0000 0001: Page 1 selected ... 1111 1110: Page 254 selected 1111 1111: Page 255 selected

The remaining page-9 registers are either reserved registers or are used for setting coefficients for the various filters in the . Reserved registers must not be written to.

The filter-coefficient registers are arranged in pairs, with two adjacent 8-bit registers containing the 16-bit coefficient for a single filter. The 16-bit integer contained in the MSB and LSB registers for a coefficient are interpreted as a 2s-complement integer, with possible values ranging from –32 768 to 32 767. When programming any coefficient value for a filter, the MSB register must always be written first, immediately followed by the LSB register. Even if only the MSB or LSB portion of the coefficient changes, both registers must be written in this sequence. is a list of the page-9 registers, excepting the previously described register 0.

**Table 6-122. Page-9 DAC Buffer A Registers**

REGISTER NUMBER	RESET VALUE	REGISTER NAME
1 (0x01)	XXXX XXXX	Reserved. Do not write to this register.
2 (0x02)	0111 1111	Coefficient N0(15:8) for left DAC-programmable first-order IIR
3 (0x03)	1111 1111	Coefficient N0(7:0) for left DAC-programmable first-order IIR
4 (0x04)	0000 0000	Coefficient N1(15:8) for left DAC-programmable first-order IIR
5 (0x05)	0000 0000	Coefficient N1(7:0) for left DAC-programmable first-order IIR
6 (0x06)	0000 0000	Coefficient D1(15:8) for left DAC-programmable first-order IIR
7 (0x07)	0000 0000	Coefficient D1(7:0) for left DAC-programmable first-order IIR
8 (0x08)	0111 1111	Coefficient N0(15:8) for right DAC-programmable first-order IIR
9 (0x09)	1111 1111	Coefficient N0(7:0) for right DAC-programmable first-order IIR
10 (0x0A)	0000 0000	Coefficient N1(15:8) for right DAC-programmable first-order IIR
11 (0x0B)	0000 0000	Coefficient N1(7:0) for right DAC-programmable first-order IIR
12 (0x0C)	0000 0000	Coefficient D1(15:8) for right DAC-programmable first-order IIR
13 (0x0D)	0000 0000	Coefficient D1(7:0) for right DAC-programmable first-order IIR
14 (0x0E)	0111 1111	Coefficient N0(15:8) for DRC first-order high-pass filter
15 (0x0F)	1111 0111	Coefficient N0(7:0) for DRC first-order high-pass filter
16 (0x10)	1000 0000	Coefficient N1(15:8) for DRC first-order high-pass filter
17 (0x11)	0000 1001	Coefficient N1(7:0) for DRC first-order high-pass filter
18 (0x12)	0111 1111	Coefficient D1(15:8) for DRC first-order high-pass filter
19 (0x13)	1110 1111	Coefficient D1(7:0) for DRC first-order high-pass filter
20 (0x14)	0000 0000	Coefficient N0(15:8) for DRC first-order low-pass filter
21 (0x15)	0001 0001	Coefficient N0(7:0) for DRC first-order low-pass filter
22 (0x16)	0000 0000	Coefficient N1(15:8) for DRC first-order low-pass filter
23 (0x17)	0001 0001	Coefficient N1(7:0) for DRC first-order low-pass filter
24 (0x18)	0111 1111	Coefficient D1(15:8) for DRC first-order low-pass filter
25 (0x19)	1101 1110	Coefficient D1(7:0) for DRC first-order low-pass filter
26–127	0000 0000	Reserved

### 6.4.2.6 Control Registers, Page 12: DAC Programmable Coefficients RAM Buffer B (1:63)

**Table 6-123. Page 12 / Register 0 (0x00): Page Control Register**

BIT	READ/ WRITE	RESET VALUE	DESCRIPTION
D7–D0	R/W	0000 0000	0000 0000: Page 0 selected 0000 0001: Page 1 selected ... 1111 1110: Page 254 selected 1111 1111: Page 255 selected

The remaining page-12 registers are either reserved registers or are used for setting coefficients for the various filters in the . Reserved registers should not be written to.

The filter coefficient registers are arranged in pairs, with two adjacent 8-bit registers containing the 16-bit coefficient for a single filter. The 16-bit integer contained in the MSB and LSB registers for a coefficient are interpreted as a 2s-complement integer, with possible values ranging from –32 768 to 32 767. When programming any coefficient value for a filter, the MSB register should always be written first, immediately followed by the LSB register. Even if only the MSB or LSB portion of the coefficient changes, both registers should be written in this sequence. is a list of the page-12 registers, excepting the previously described register 0.

**Table 6-124. Page-12 AC Buffer B Registers**

REGISTER NUMBER	RESET VALUE	REGISTER NAME
1 (0x01)	0000 0000	Reserved. Do not write to this register.
2 (0x02)	0111 1111	Coefficient N0(15:8) for left DAC-programmable biquad A
3 (0x03)	1111 1111	Coefficient N0(7:0) for left DAC-programmable biquad A
4 (0x04)	0000 0000	Coefficient N1(15:8) for left DAC-programmable biquad A
5 (0x05)	0000 0000	Coefficient N1(7:0) for left DAC-programmable biquad A
6 (0x06)	0000 0000	Coefficient N2(15:8) for left DAC-programmable biquad A
7 (0x07)	0000 0000	Coefficient N2(7:0) for left DAC-programmable biquad A
8 (0x08)	0000 0000	Coefficient D1(15:8) for left DAC-programmable biquad A
9 (0x09)	0000 0000	Coefficient D1(7:0) for left DAC-programmable biquad A
10 (0x0A)	0000 0000	Coefficient D2(15:8) for left DAC-programmable biquad A
11 (0x0B)	0000 0000	Coefficient D2(7:0) for left DAC-programmable biquad A
12 (0x0C)	0111 1111	Coefficient N0(15:8) for left DAC-programmable biquad B
13 (0x0D)	1111 1111	Coefficient N0(7:0) for left DAC-programmable biquad B
14 (0x0E)	0000 0000	Coefficient N1(15:8) for left DAC-programmable biquad B
15 (0x0F)	0000 0000	Coefficient N1(7:0) for left DAC-programmable biquad B
16 (0x10)	0000 0000	Coefficient N2(15:8) for left DAC-programmable biquad B
17 (0x11)	0000 0000	Coefficient N2(7:0) for left DAC-programmable biquad B
18 (0x12)	0000 0000	Coefficient D1(15:8) for left DAC-programmable biquad B
19 (0x13)	0000 0000	Coefficient D1(7:0) for left DAC-programmable biquad B
20 (0x14)	0000 0000	Coefficient D2(15:8) for left DAC-programmable biquad B
21 (0x15)	0000 0000	Coefficient D2(7:0) for left DAC-programmable biquad B
22 (0x16)	0111 1111	Coefficient N0(15:8) for left DAC-programmable biquad C
23 (0x17)	1111 1111	Coefficient N0(7:0) for left DAC-programmable biquad C
24 (0x18)	0000 0000	Coefficient N1(15:8) for left DAC-programmable biquad C
25 (0x19)	0000 0000	Coefficient N1(7:0) for left DAC-programmable biquad C

**Table 6-124. Page-12 AC Buffer B Registers (continued)**

REGISTER NUMBER	RESET VALUE	REGISTER NAME
26 (0x1A)	0000 0000	Coefficient N2(15:8) for left DAC-programmable biquad C
27 (0x1B)	0000 0000	Coefficient N2(7:0) for left DAC-programmable biquad C
28 (0x1C)	0000 0000	Coefficient D1(15:8) for left DAC-programmable biquad C
29 (0x1D)	0000 0000	Coefficient D1(7:0) for left DAC-programmable biquad C
30 (0x1E)	0000 0000	Coefficient D2(15:8) for left DAC-programmable biquad C
31 (0x1F)	0000 0000	Coefficient D2(7:0) for left DAC-programmable biquad C
32 (0x20)	0111 1111	Coefficient N0(15:8) for left DAC-programmable biquad D
33 (0x21)	1111 1111	Coefficient N0(7:0) for left DAC-programmable biquad D
34 (0x22)	0000 0000	Coefficient N1(15:8) for left DAC-programmable biquad D
35 (0x23)	0000 0000	Coefficient N1(7:0) for left DAC-programmable biquad D
36 (0x24)	0000 0000	Coefficient N2(15:8) for left DAC-programmable biquad D
37 (0x25)	0000 0000	Coefficient N2(7:0) for left DAC-programmable biquad D
38 (0x26)	0000 0000	Coefficient D1(15:8) for left DAC-programmable biquad D
39 (0x27)	0000 0000	Coefficient D1(7:0) for left DAC-programmable biquad D
40 (0x28)	0000 0000	Coefficient D2(15:8) for left DAC-programmable biquad D
41 (0x29)	0000 0000	Coefficient D2(7:0) for left DAC-programmable biquad D
42 (0x2A)	0111 1111	Coefficient N0(15:8) for left DAC-programmable biquad E
43 (0x2B)	1111 1111	Coefficient N0(7:0) for left DAC-programmable biquad E
44 (0x2C)	0000 0000	Coefficient N1(15:8) for left DAC-programmable biquad E
45 (0x2D)	0000 0000	Coefficient N1(7:0) for left DAC-programmable biquad E
46 (0x2E)	0000 0000	Coefficient N2(15:8) for left DAC-programmable biquad E
47 (0x2F)	0000 0000	Coefficient N2(7:0) for left DAC-programmable biquad E
48 (0x30)	0000 0000	Coefficient D1(15:8) for left DAC-programmable biquad E
49 (0x31)	0000 0000	Coefficient D1(7:0) for left DAC-programmable biquad E
50 (0x32)	0000 0000	Coefficient D2(15:8) for left DAC-programmable biquad E
51 (0x33)	0000 0000	Coefficient D2(7:0) for left DAC-programmable biquad E
52 (0x34)	0111 1111	Coefficient N0(15:8) for left DAC-programmable biquad F
53 (0x35)	1111 1111	Coefficient N0(7:0) for left DAC-programmable biquad F
54 (0x36)	0000 0000	Coefficient N1(15:8) for left DAC-programmable biquad F
55 (0x37)	0000 0000	Coefficient N1(7:0) for left DAC-programmable biquad F
56 (0x38)	0000 0000	Coefficient N2(15:8) for left DAC-programmable biquad F
57 (0x39)	0000 0000	Coefficient N2(7:0) for left DAC-programmable biquad F
58 (0x3A)	0000 0000	Coefficient D1(15:8) for left DAC-programmable biquad F
59 (0x3B)	0000 0000	Coefficient D1(7:0) for left DAC-programmable biquad F
60 (0x3C)	0000 0000	Coefficient D2(15:8) for left DAC-programmable biquad F
61 (0x3D)	0000 0000	Coefficient D2(7:0) for left DAC-programmable biquad F
62 (0x3E)	0000 0000	Reserved
63 (0x3F)	0000 0000	Reserved
64 (0x40)	0000 0000	8 MSBs 3D PGA gain for PRB_P23, PRB_P24 and PRB_P25
65 (0x41)	0000 0000	8 LSBs 3D PGA gain for PRB_P23, PRB_P24 and PRB_P25
66 (0x42)	0111 1111	Coefficient N0(15:8) for right DAC-programmable biquad A
67 (0x43)	1111 1111	Coefficient N0(7:0) for right DAC-programmable biquad A
68 (0x44)	0000 0000	Coefficient N1(15:8) for right DAC-programmable biquad A
69 (0x45)	0000 0000	Coefficient N1(7:0) for right DAC-programmable biquad A
70 (0x46)	0000 0000	Coefficient N2(15:8) for right DAC-programmable biquad A
71 (0x47)	0000 0000	Coefficient N2(7:0) for right DAC-programmable biquad A
72 (0x48)	0000 0000	Coefficient D1(15:8) for right DAC-programmable biquad A



**Table 6-124. Page-12 AC Buffer B Registers (continued)**

REGISTER NUMBER	RESET VALUE	REGISTER NAME
73 (0x49)	0000 0000	Coefficient D1(7:0) for right DAC-programmable biquad A
74 (0x4A)	0000 0000	Coefficient D2(15:8) for right DAC-programmable biquad A
75 (0x4B)	0000 0000	Coefficient D2(7:0) for right DAC-programmable biquad A
76 (0x4C)	0111 1111	Coefficient N0(15:8) for right DAC-programmable biquad B
77 (0x4D)	1111 1111	Coefficient N0(7:0) for right DAC-programmable biquad B
78 (0x4E)	0000 0000	Coefficient N1(15:8) for right DAC-programmable biquad B
79 (0x4F)	0000 0000	Coefficient N1(7:0) for right DAC-programmable biquad B
80 (0x50)	0000 0000	Coefficient N2(15:8) for right DAC-programmable biquad B
81 (0x51)	0000 0000	Coefficient N2(7:0) for right DAC-programmable biquad B
82 (0x52)	0000 0000	Coefficient D1(15:8) for right DAC-programmable biquad B
83 (0x53)	0000 0000	Coefficient D1(7:0) for right DAC-programmable biquad B
84 (0x54)	0000 0000	Coefficient D2(15:8) for right DAC-programmable biquad B
85 (0x55)	0000 0000	Coefficient D2(7:0) for right DAC-programmable biquad B
86 (0x56)	0111 1111	Coefficient N0(15:8) for right DAC-programmable biquad C
87 (0x57)	1111 1111	Coefficient N0(7:0) for right DAC-programmable biquad C
88 (0x58)	0000 0000	Coefficient N1(15:8) for right DAC-programmable biquad C
89 (0x59)	0000 0000	Coefficient N1(7:0) for right DAC-programmable biquad C
90 (0x5A)	0000 0000	Coefficient N2(15:8) for right DAC-programmable biquad C
91 (0x5B)	0000 0000	Coefficient N2(7:0) for right DAC-programmable biquad C
92 (0x5C)	0000 0000	Coefficient D1(15:8) for right DAC-programmable biquad C
93 (0x5D)	0000 0000	Coefficient D1(7:0) for right DAC-programmable biquad C
94 (0x5E)	0000 0000	Coefficient D2(15:8) for right DAC-programmable biquad C
95 (0x5F)	0000 0000	Coefficient D2(7:0) for right DAC-programmable biquad C
96 (0x60)	0111 1111	Coefficient N0(15:8) for right DAC-programmable biquad D
97 (0x61)	1111 1111	Coefficient N0(7:0) for right DAC-programmable biquad D
98 (0x62)	0000 0000	Coefficient N1(15:8) for right DAC-programmable biquad D
99 (0x63)	0000 0000	Coefficient N1(7:0) for right DAC-programmable biquad D
100 (0x64)	0000 0000	Coefficient N2(15:8) for right DAC-programmable biquad D
101 (0x65)	0000 0000	Coefficient N2(7:0) for right DAC-programmable biquad D
102 (0x66)	0000 0000	Coefficient D1(15:8) for right DAC-programmable biquad D
103 (0x67)	0000 0000	Coefficient D1(7:0) for right DAC-programmable biquad D
104 (0x68)	0000 0000	Coefficient D2(15:8) for right DAC-programmable biquad D
105 (0x69)	0000 0000	Coefficient D2(7:0) for right DAC-programmable biquad D
106 (0x6A)	0111 1111	Coefficient N0(15:8) for right DAC-programmable biquad E
107 (0x6B)	1111 1111	Coefficient N0(7:0) for right DAC-programmable biquad E
108 (0x6C)	0000 0000	Coefficient N1(15:8) for right DAC-programmable biquad E
109 (0x6D)	0000 0000	Coefficient N1(7:0) for right DAC-programmable biquad E
110 (0x6E)	0000 0000	Coefficient N2(15:8) for right DAC-programmable biquad E
111 (0x6F)	0000 0000	Coefficient N2(7:0) for right DAC-programmable biquad E
112 (0x70)	0000 0000	Coefficient D1(15:8) for right DAC-programmable biquad E
113 (0x71)	0000 0000	Coefficient D1(7:0) for right DAC-programmable biquad E
114 (0x72)	0000 0000	Coefficient ND2(15:8) for right DAC-programmable biquad E
115 (0x73)	0000 0000	Coefficient ND2(7:0) for right DAC-programmable biquad E
116 (0x74)	0111 1111	Coefficient N0(15:8) for right DAC-programmable biquad F
117 (0x75)	1111 1111	Coefficient N0(7:0) for right DAC-programmable biquad F
118 (0x76)	0000 0000	Coefficient N1(15:8) for right DAC-programmable biquad F
119 (0x77)	0000 0000	Coefficient N1(7:0) for right DAC-programmable biquad F

**Table 6-124. Page-12 AC Buffer B Registers (continued)**

REGISTER NUMBER	RESET VALUE	REGISTER NAME
120 (0x78)	0000 0000	Coefficient N2(15:8) for right DAC-programmable biquad F
121 (0x79)	0000 0000	Coefficient N2(7:0) for right DAC-programmable biquad F
122 (0x7A)	0000 0000	Coefficient D1(15:8) for right DAC-programmable biquad F
123 (0x7B)	0000 0000	Coefficient D1(7:0) for right DAC-programmable biquad F
124 (0x7C)	0000 0000	Coefficient D2(15:8) for right DAC-programmable biquad F
125 (0x7D)	0000 0000	Coefficient D2(7:0) for right DAC-programmable biquad F
126–127	0000 0000	Reserved

#### 6.4.2.7 Control Registers, Page 13: DAC Programmable Coefficients RAM Buffer B (65:127)

**Table 6-125. Page 13 / Register 0 (0x00): Page Control Register**

BIT	READ/ WRITE	RESET VALUE	DESCRIPTION
D7–D0	R/W	0000 0000	0000 0000: Page 0 selected 0000 0001: Page 1 selected ... 1111 1110: Page 254 selected 1111 1111: Page 255 selected

The remaining page-13 registers are either reserved registers or are used for setting coefficients for the various filters in the . Reserved registers must not be written to.

The filter coefficient registers are arranged in pairs, with two adjacent 8-bit registers containing the 16-bit coefficient for a single filter. The 16-bit integer contained in the MSB and LSB registers for a coefficient are interpreted as a 2s-complement integer, with possible values ranging from –32 768 to 32 767. When programming any coefficient value for a filter, the MSB register must always be written first, immediately followed by the LSB register. Even if only the MSB or LSB portion of the coefficient changes, both registers must be written in this sequence. is a list of the page-13 registers, excepting the previously described register 0.

**Table 6-126. Page-13 DAC Buffer B Registers**

REGISTER NUMBER	RESET VALUE	REGISTER NAME
1	0000 0000	Reserved. Do not write to this register.
2 (0x02)	0111 1111	Coefficient N0(15:8) for left DAC-programmable first-order IIR
3 (0x03)	1111 1111	Coefficient N0(7:0) for left DAC-programmable first-order IIR
4 (0x04)	0000 0000	Coefficient N1(15:8) for left DAC-programmable first-order IIR
5 (0x05)	0000 0000	Coefficient N1(7:0) for left DAC-programmable first-order IIR
6 (0x06)	0000 0000	Coefficient D1(15:8) for left DAC-programmable first-order IIR
7 (0x07)	0000 0000	Coefficient D1(7:0) for left DAC-programmable first-order IIR
8 (0x08)	0111 1111	Coefficient N0(15:8) for right DAC-programmable first-order IIR
9 (0x09)	1111 1111	Coefficient N0(7:0) for right DAC-programmable first-order IIR
10 (0x0A)	0000 0000	Coefficient N1(15:8) for right DAC-programmable first-order IIR
11 (0x0B)	0000 0000	Coefficient N1(7:0) for right DAC-programmable first-order IIR
12 (0x0C)	0000 0000	Coefficient D1(15:8) for right DAC-programmable first-order IIR
13 (0x0D)	0000 0000	Coefficient D1(7:0) for right DAC-programmable first-order IIR
14 (0x0E)	0111 1111	Coefficient N0(15:8) for DRC first-order high-pass filter
15 (0x0F)	1111 0111	Coefficient N0(7:0) for DRC first-order high-pass filter
16 (0x10)	1000 0000	Coefficient N1(15:8) for DRC first-order high-pass filter
17 (0x11)	0000 1001	Coefficient N1(7:0) for DRC first-order high-pass filter
18 (0x12)	0111 1111	Coefficient D1(15:8) for DRC first-order high-pass filter

**Table 6-126. Page-13 DAC Buffer B Registers (continued)**

REGISTER NUMBER	RESET VALUE	REGISTER NAME
19 (0x13)	1110 1111	Coefficient D1(7:0) for DRC first-order high-pass filter
20 (0x14)	0000 0000	Coefficient N0(15:8) for DRC first-order low-pass filter
21 (0x15)	0001 0001	Coefficient N0(7:0) for DRC first-order low-pass filter
22 (0x16)	0000 0000	Coefficient N1(15:8) for DRC first-order low-pass filter
23 (0x17)	0001 0001	Coefficient N1(7:0) for DRC first-order low-pass filter
24 (0x18)	0111 1111	Coefficient D1(15:8) for DRC first-order low-pass filter
25 (0x19)	1101 1110	Coefficient D1(7:0) for DRC first-order low-pass filter
26–127	0000 0000	Reserved



## 7 Application and Implementation

### NOTE

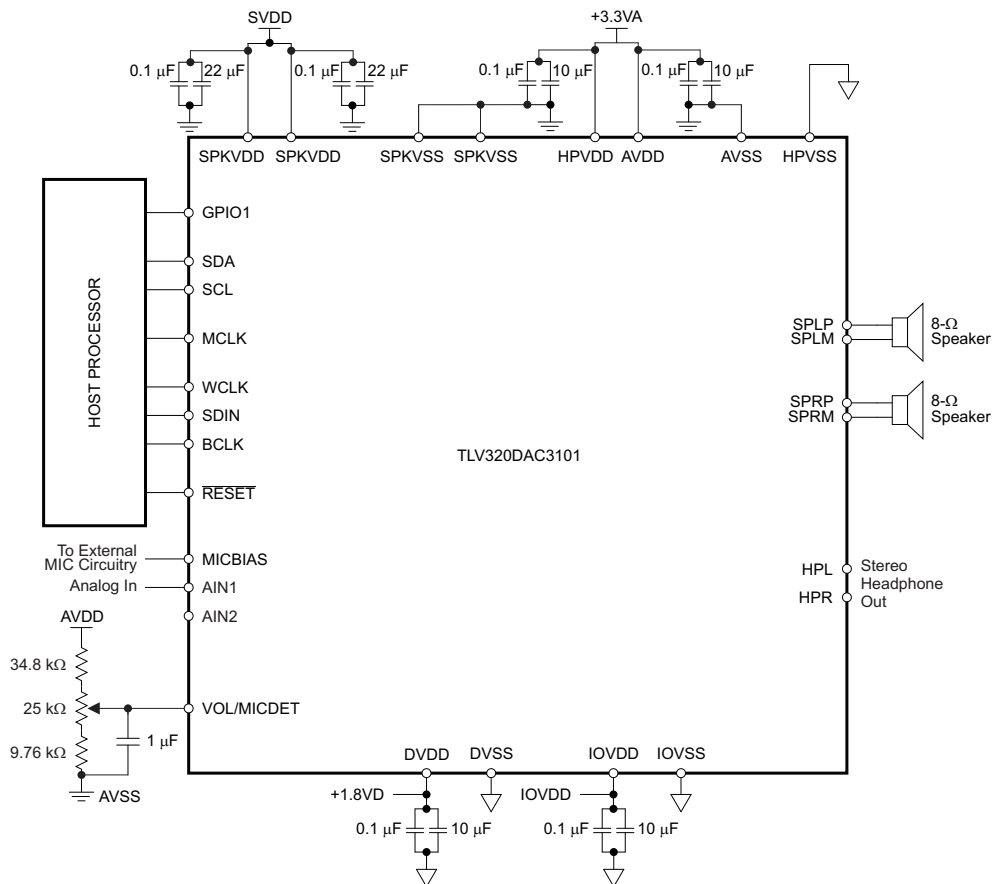
Information in the following applications sections is not part of the TI component specification, and TI does not warrant its accuracy or completeness. TI's customers are responsible for determining suitability of components for their purposes. Customers should validate and test their design implementation to confirm system functionality.

### 7.1 Application Information

This typical connection highlights the required external components and system level connections for proper operation of the device in several popular use cases.

Each of these configurations can be realized using the Evaluation Modules (EVMs) for the device. These flexible modules allow full evaluation of the device in the most common modes of operation. Any design variation can be supported by TI through schematic and layout reviews. Visit <http://e2e.ti.com> for design assistance and join the audio amplifier discussion forum for additional information.

### 7.2 Typical Application



S0400-05

Figure 7-1. Typical Circuit Configuration

### 7.2.1 Design Requirements

For this design example, use the parameters listed in [Table 7-1](#) as the input parameters.

**Table 7-1. Design Parameters**

DESIGN PARAMETER	EXAMPLE VALUE
AVDD	3.3 V
DVDD	1.8 V
HPVDD	3.3 V
IOVDD	3.3 V
Maximum MICBIAS current	4 mA
SPKVDD	5 V

### 7.2.2 Detailed Design Procedure

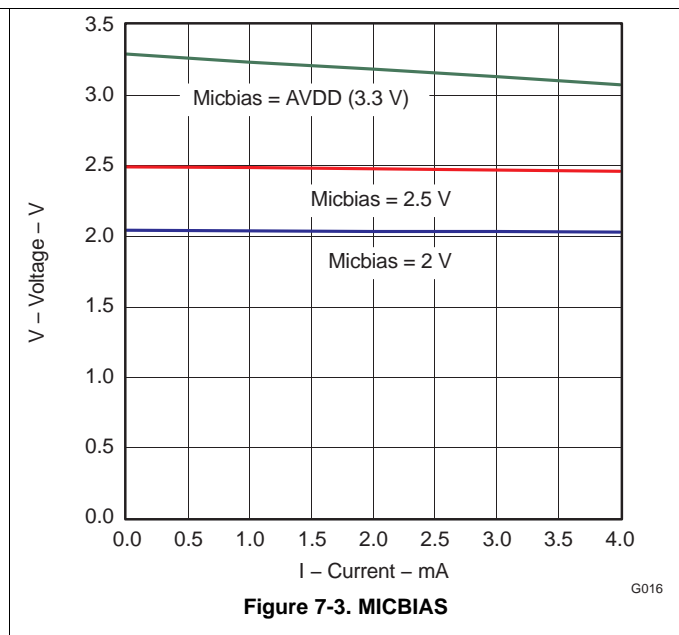
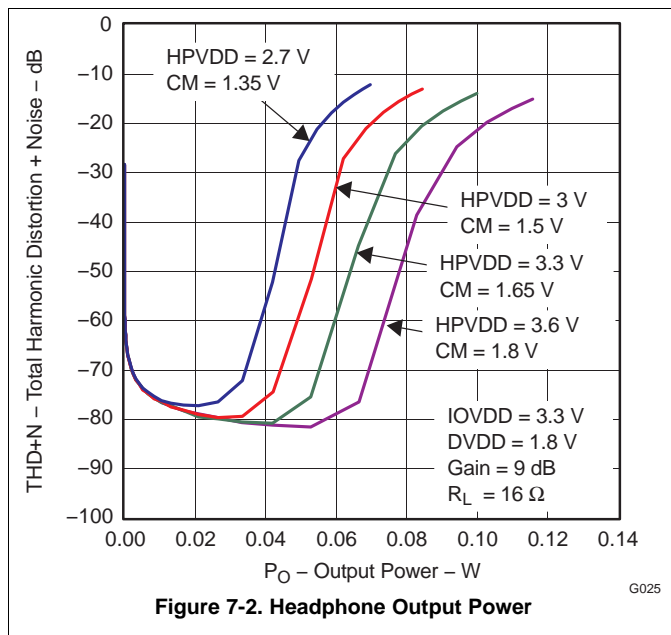
Using [Figure 7-1](#) as a guide, integrate the hardware into the system.

Following the recommended component placement, schematic layout and routing given in [Section 9](#), integrate the device and its supporting components into the system PCB file.

Determining sample rate and master clock frequency is required since powering up the device as all internal timing is derived from the master clock. Refer to [Section 6.3.11](#) to get more information of how to configure correctly the required clocks for the device.

As the TLV320DAC3101 is designed for low-power applications, when powered up, the device has several features powered down. A correct routing of the TLV320DAC3101 signals is achieved by a correct setting of the device registers, powering up the required stages of the device and configuring the internal switches to follow a desired route.

### 7.2.3 Application Curves



## 8 Power Supply Recommendations

The TLV320DAC3101 has been designed to be extremely tolerant of power supply sequencing. However, in some rare cases, unexpected conditions and behaviors can be attributed to power supply sequencing.

It is important to consider that the digital activity must be separated from the analog and speaker activity. In order to separate the power supplies, the recommended power sequence is:

1. Speaker supplies
2. Digital supplies
3. Analog supplies

First, turn on the speaker supplies. Once they are stabilized, turn on the digital power supplies. Finally, once the digital power supplies are stabilized, the analog power supplies must be turned on.

Also, TI recommends to add decoupling capacitors close to the power supplies pins (see [Section 9](#) for details). These capacitors will ensure that the power pins will be stable. Additionally, undesired effects such as pops will be avoided.

## 9 Layout

### 9.1 Layout Guidelines

PCB design is made considering the application and the review is specific for each system requirements. However, general considerations can optimize the system performance.

- The TLV320DAC3101 thermal pad must be connected to analog output driver ground using multiple VIAS to minimize impedance between the device and ground.
- Analog and digital grounds must be separated to prevent possible digital noise form affecting the analog performance of the board.
- The TLV320DAC3101 requires the decoupling capacitors to be placed as close as possible to the device power supply terminals.

### 9.2 Layout Example

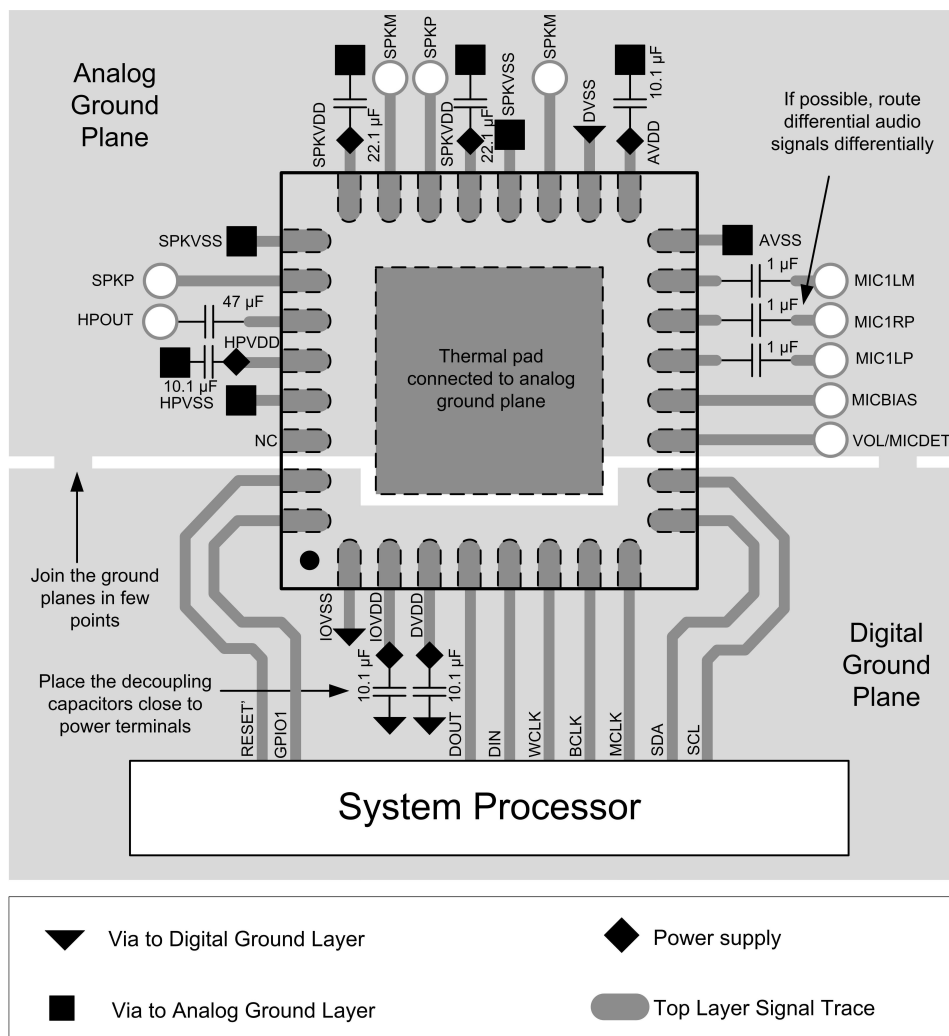


Figure 9-1. Example PCB Layout

**PACKAGING INFORMATION**

Orderable Device	Status (1)	Package Type	Package Drawing	Pins	Package Qty	Eco Plan (2)	Lead finish/ Ball material (6)	MSL Peak Temp (3)	Op Temp (°C)	Device Marking (4/5)	Samples
TLV320DAC3101IRHBR	ACTIVE	VQFN	RHB	32	3000	RoHS & Green	NIPDAU	Level-1-260C-UNLIM	-40 to 85	DAC3101	<a href="#">Samples</a>
TLV320DAC3101IRHBT	ACTIVE	VQFN	RHB	32	250	RoHS & Green	NIPDAU	Level-1-260C-UNLIM	-40 to 85	DAC3101	<a href="#">Samples</a>

(1) The marketing status values are defined as follows:

**ACTIVE:** Product device recommended for new designs.

**LIFEBUY:** TI has announced that the device will be discontinued, and a lifetime-buy period is in effect.

**NRND:** Not recommended for new designs. Device is in production to support existing customers, but TI does not recommend using this part in a new design.

**PREVIEW:** Device has been announced but is not in production. Samples may or may not be available.

**OBSOLETE:** TI has discontinued the production of the device.

(2) **RoHS:** TI defines "RoHS" to mean semiconductor products that are compliant with the current EU RoHS requirements for all 10 RoHS substances, including the requirement that RoHS substance do not exceed 0.1% by weight in homogeneous materials. Where designed to be soldered at high temperatures, "RoHS" products are suitable for use in specified lead-free processes. TI may reference these types of products as "Pb-Free".

**RoHS Exempt:** TI defines "RoHS Exempt" to mean products that contain lead but are compliant with EU RoHS pursuant to a specific EU RoHS exemption.

**Green:** TI defines "Green" to mean the content of Chlorine (Cl) and Bromine (Br) based flame retardants meet JS709B low halogen requirements of <=1000ppm threshold. Antimony trioxide based flame retardants must also meet the <=1000ppm threshold requirement.

(3) MSL, Peak Temp. - The Moisture Sensitivity Level rating according to the JEDEC industry standard classifications, and peak solder temperature.

(4) There may be additional marking, which relates to the logo, the lot trace code information, or the environmental category on the device.

(5) Multiple Device Markings will be inside parentheses. Only one Device Marking contained in parentheses and separated by a "~" will appear on a device. If a line is indented then it is a continuation of the previous line and the two combined represent the entire Device Marking for that device.

(6) Lead finish/Ball material - Orderable Devices may have multiple material finish options. Finish options are separated by a vertical ruled line. Lead finish/Ball material values may wrap to two lines if the finish value exceeds the maximum column width.

**Important Information and Disclaimer:**The information provided on this page represents TI's knowledge and belief as of the date that it is provided. TI bases its knowledge and belief on information provided by third parties, and makes no representation or warranty as to the accuracy of such information. Efforts are underway to better integrate information from third parties. TI has taken and continues to take reasonable steps to provide representative and accurate information but may not have conducted destructive testing or chemical analysis on incoming materials and chemicals. TI and TI suppliers consider certain information to be proprietary, and thus CAS numbers and other limited information may not be available for release.

In no event shall TI's liability arising out of such information exceed the total purchase price of the TI part(s) at issue in this document sold by TI to Customer on an annual basis.



**TAPE AND REEL INFORMATION**

**QUADRANT ASSIGNMENTS FOR PIN 1 ORIENTATION IN TAPE**


\*All dimensions are nominal

Device	Package Type	Package Drawing	Pins	SPQ	Reel Diameter (mm)	Reel Width W1 (mm)	A0 (mm)	B0 (mm)	K0 (mm)	P1 (mm)	W (mm)	Pin1 Quadrant
TLV320DAC3101IRHBR	VQFN	RHB	32	3000	330.0	12.4	5.3	5.3	1.1	8.0	12.0	Q2
TLV320DAC3101IRHBT	VQFN	RHB	32	250	180.0	12.4	5.3	5.3	1.1	8.0	12.0	Q2

**TAPE AND REEL BOX DIMENSIONS**


\*All dimensions are nominal

Device	Package Type	Package Drawing	Pins	SPQ	Length (mm)	Width (mm)	Height (mm)
TLV320DAC3101IRHBR	VQFN	RHB	32	3000	346.0	346.0	33.0
TLV320DAC3101IRHBT	VQFN	RHB	32	250	182.0	182.0	20.0



## GENERIC PACKAGE VIEW

**RHB 32**

**VQFN - 1 mm max height**

5 x 5, 0.5 mm pitch

PLASTIC QUAD FLATPACK - NO LEAD



Images above are just a representation of the package family, actual package may vary.  
Refer to the product data sheet for package details.

4224745/A



4223442/B 08/2019

NOTES:

1. All linear dimensions are in millimeters. Any dimensions in parenthesis are for reference only. Dimensioning and tolerancing per ASME Y14.5M.
2. This drawing is subject to change without notice.
3. The package thermal pad must be soldered to the printed circuit board for thermal and mechanical performance.

# EXAMPLE BOARD LAYOUT

RHB0032E

VQFN - 1 mm max height

PLASTIC QUAD FLATPACK - NO LEAD



LAND PATTERN EXAMPLE  
SCALE:18X



SOLDER MASK DETAILS

4223442/B 08/2019

NOTES: (continued)

4. This package is designed to be soldered to a thermal pad on the board. For more information, see Texas Instruments literature number SLUA271 ([www.ti.com/lit/sluea271](http://www.ti.com/lit/sluea271)).
5. Vias are optional depending on application, refer to device data sheet. If any vias are implemented, refer to their locations shown on this view. It is recommended that vias under paste be filled, plugged or tented.

# EXAMPLE STENCIL DESIGN

RHB0032E

VQFN - 1 mm max height

PLASTIC QUAD FLATPACK - NO LEAD



**SOLDER PASTE EXAMPLE**  
 BASED ON 0.125 mm THICK STENCIL

EXPOSED PAD 33:  
 75% PRINTED SOLDER COVERAGE BY AREA UNDER PACKAGE  
 SCALE:20X

4223442/B 08/2019

NOTES: (continued)

6. Laser cutting apertures with trapezoidal walls and rounded corners may offer better paste release. IPC-7525 may have alternate design recommendations.

## IMPORTANT NOTICE AND DISCLAIMER

TI PROVIDES TECHNICAL AND RELIABILITY DATA (INCLUDING DATA SHEETS), DESIGN RESOURCES (INCLUDING REFERENCE DESIGNS), APPLICATION OR OTHER DESIGN ADVICE, WEB TOOLS, SAFETY INFORMATION, AND OTHER RESOURCES "AS IS" AND WITH ALL FAULTS, AND DISCLAIMS ALL WARRANTIES, EXPRESS AND IMPLIED, INCLUDING WITHOUT LIMITATION ANY IMPLIED WARRANTIES OF MERCHANTABILITY, FITNESS FOR A PARTICULAR PURPOSE OR NON-INFRINGEMENT OF THIRD PARTY INTELLECTUAL PROPERTY RIGHTS.

These resources are intended for skilled developers designing with TI products. You are solely responsible for (1) selecting the appropriate TI products for your application, (2) designing, validating and testing your application, and (3) ensuring your application meets applicable standards, and any other safety, security, regulatory or other requirements.

These resources are subject to change without notice. TI grants you permission to use these resources only for development of an application that uses the TI products described in the resource. Other reproduction and display of these resources is prohibited. No license is granted to any other TI intellectual property right or to any third party intellectual property right. TI disclaims responsibility for, and you will fully indemnify TI and its representatives against, any claims, damages, costs, losses, and liabilities arising out of your use of these resources.

TI's products are provided subject to [TI's Terms of Sale](#) or other applicable terms available either on [ti.com](https://www.ti.com) or provided in conjunction with such TI products. TI's provision of these resources does not expand or otherwise alter TI's applicable warranties or warranty disclaimers for TI products.

TI objects to and rejects any additional or different terms you may have proposed.

Mailing Address: Texas Instruments, Post Office Box 655303, Dallas, Texas 75265  
Copyright © 2023, Texas Instruments Incorporated