



See The Future - 創新未來 · 眼見微屏

JORJIN

Wireless Communication Application and Trend

2024





ABOUT 佐 臻 股 份 有 限 公 司

JORJIN began as a manufacturer of SoM (system-on modules) and SiP (system-in-package) products, eventually to become the largest supplier in the global market. As a logical next step, given the unstoppable trend of wearables and IoT concepts in the near future, Jorjin has put its experience accumulated over 20 years regarding wireless, central processing, imagery and sensory equipment behind this wave, to provide smart glasses and IoT solutions.

Founded in 1997

The goal is to help individuals and businesses create digital competitiveness, innovate new business values, and pursue ESG sustainable development.



MISSION

People-oriented XR digital science and technology research and development as the goal, and practice environmental sustainable application innovation service as the purpose.



Value Proposition

Specialized in miniaturization of electronic circuits **Wireless Connectivity, AP(SiPs, SOMs,...), AR light Engine, 3D sensing, 60 / 77 GHz mmWave Radar** to provide advanced smart **AR/MR Glasses** and **humanized HCI**,
The system platform of **XR MetaSpace**, assisting enterprises to create digital competitiveness ◦



Modularization

- Provide the miniaturization of SiP/SoM modules
- Design and manufacture the **Wireless, 3D Sensing, AP, Cameras, 60GHz mmWave & Optical modules**

Intelligent AR Glasses

- Have experienced in HW/ FW/ ME/ SW design/Manufacture Service for **AR/MR Glasses**
- Provide the tailor-made total solutions to fulfil customers' requirements and demands for customization

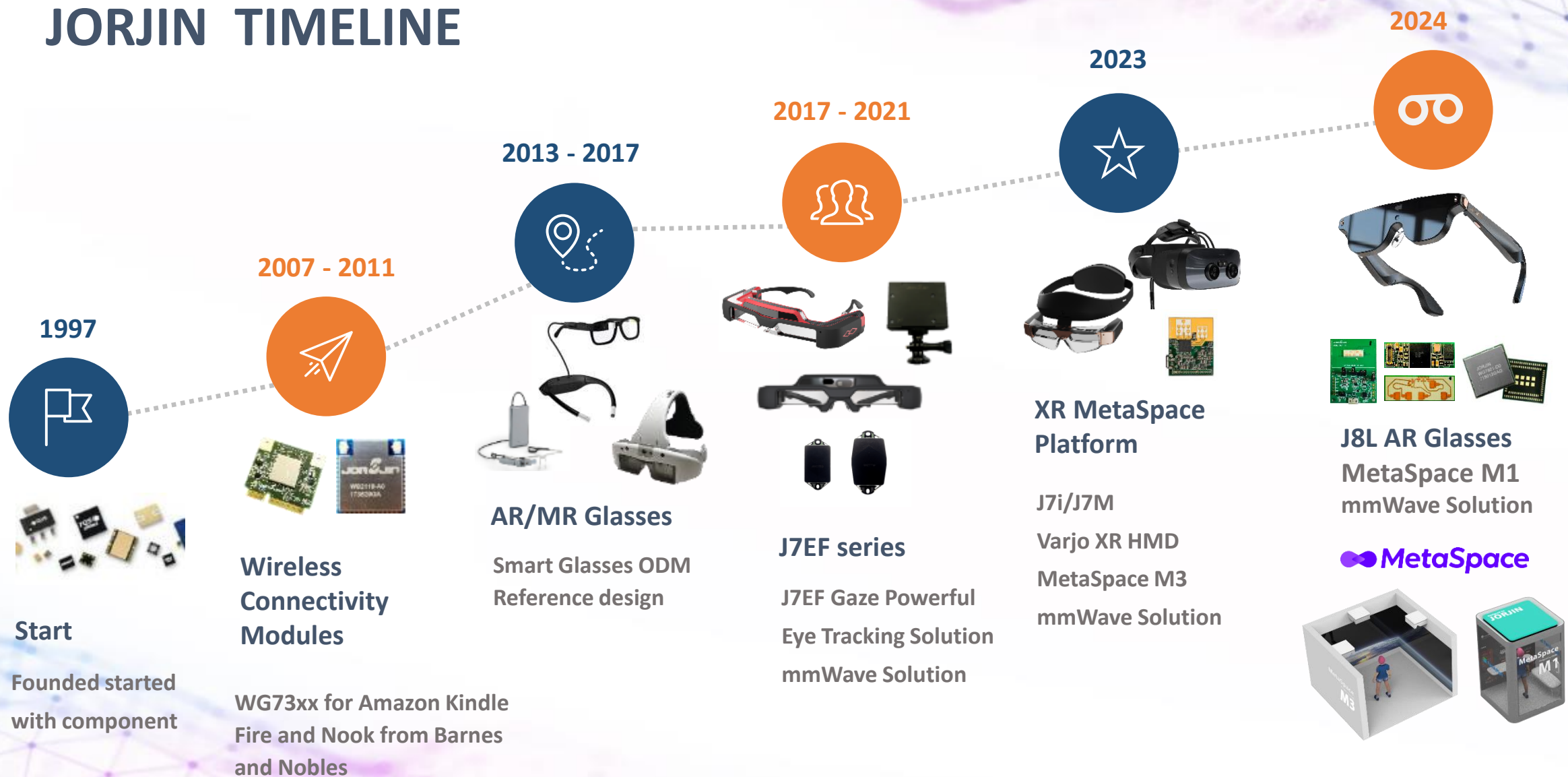
XR MetaSpace Ecosystem

- Collaborate with global partners to build **XR Device/MetaSpace** platform Applications & Service

MetaSpace
Designed by Jorjin

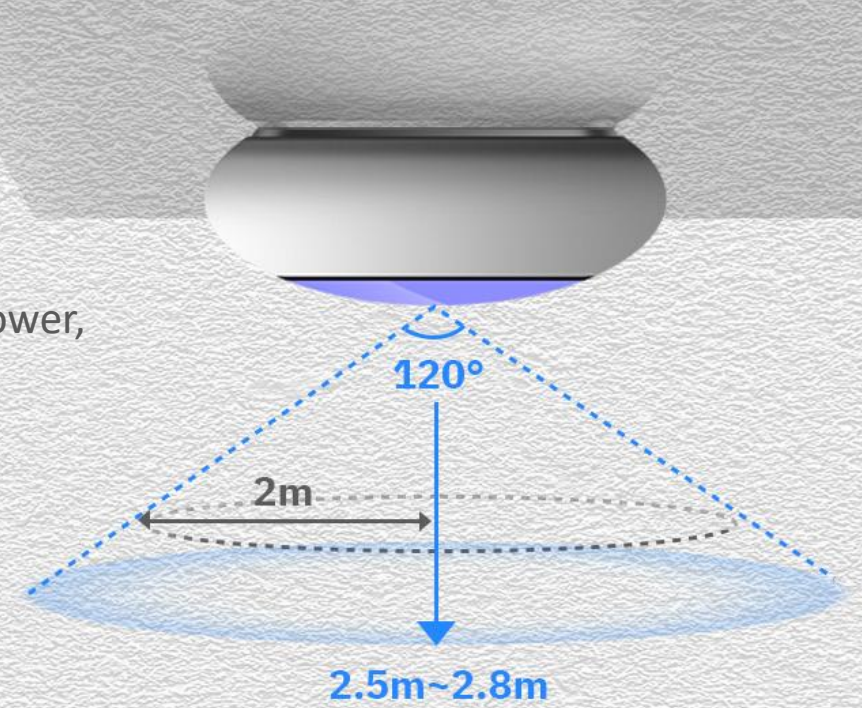
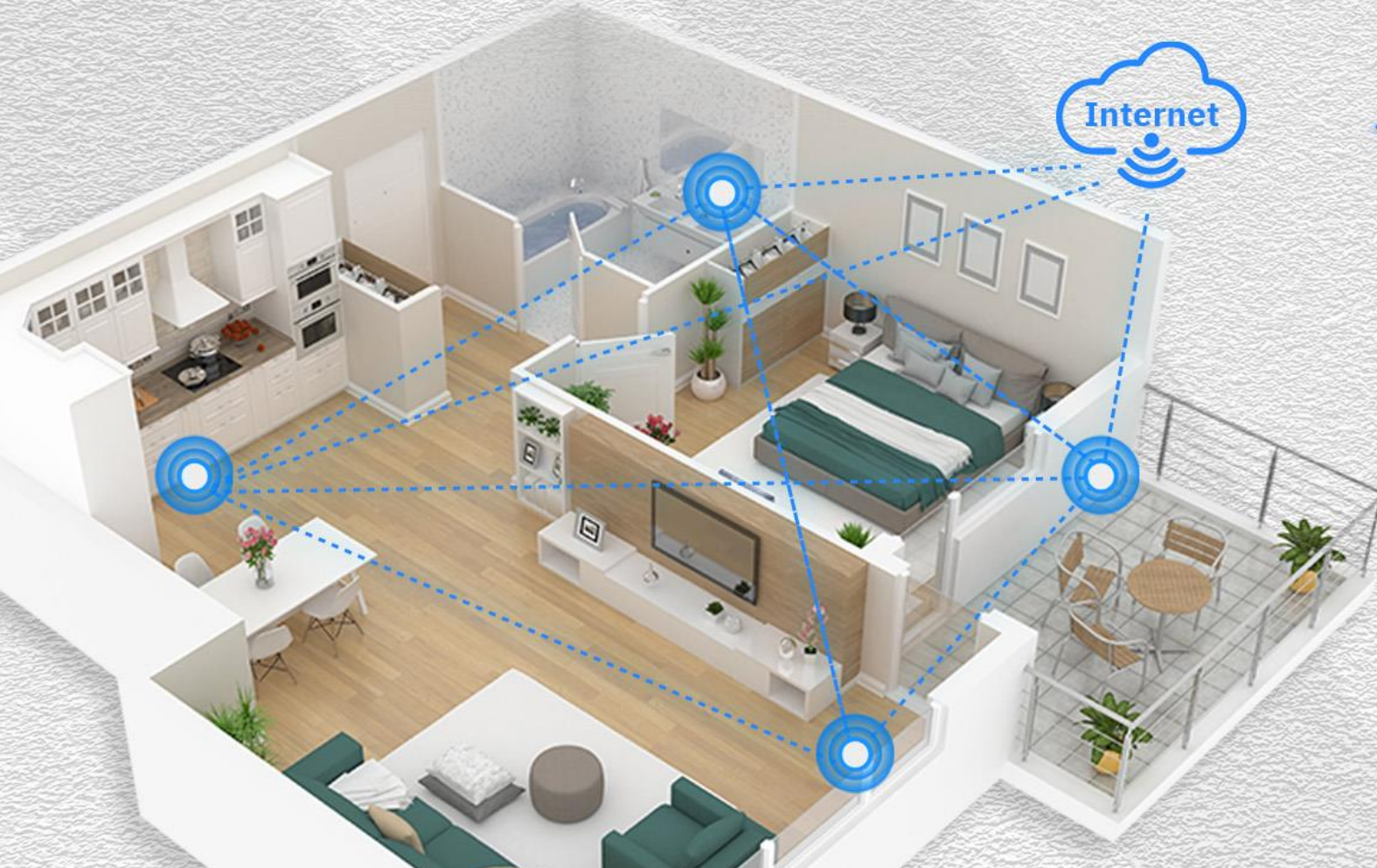
Applications
&
Cloud Service

JORJIN TIMELINE



JORJIN Presence Sensor

User Behavior Analysis with 60GHz Low-Power,
Low-cost Radar Sensors



Features



Zone Positioning



**Multi-Person
Detection**



**Ultra-High
Precision**



**Multi-Ecosystem
Support**



**Flexible
Placement**

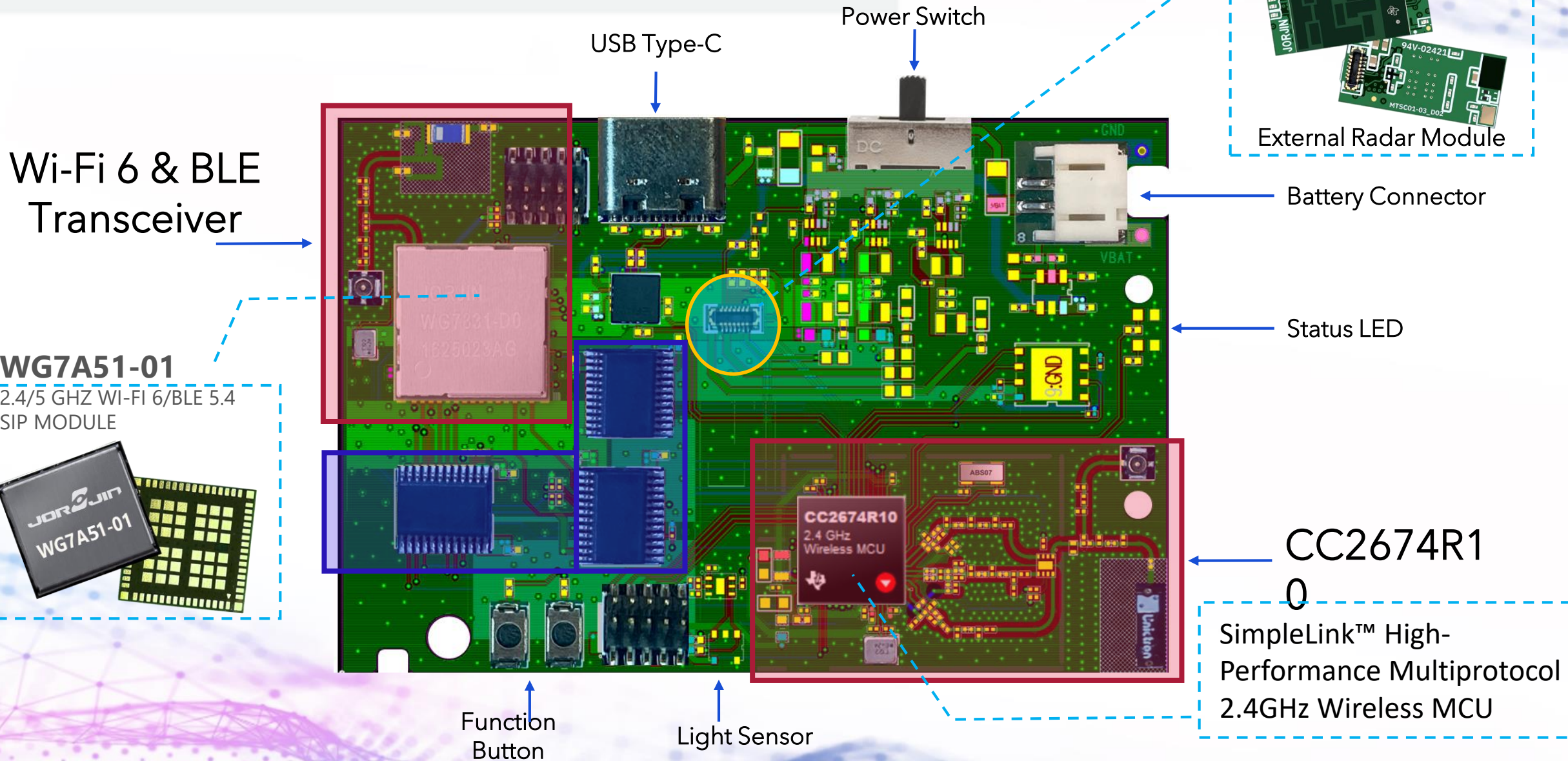


**Built-In Light
Sensor**



**Local
Automations**

JORJIN AIOT-WG02





Sleek and stylish

J8L AR glasses

**Bring the future to your
everyday life.**

JORJIN




JORJIN AR Glasses

- WiFi/BT inside
- Antenna inside
- Certification

Modularize and Customize Design

Computing

- **SiP Processor Module**
- **Wireless Module** 
- Audio Module
- Imaging Module

Power

- Dual Battery
- Rechargeable Li battery
- Quick Charging
- Magnetic Charger

Display

- Monocular OE
- Binocular OE
- LCoS
- Micro OLED
- MicroLED



Imaging

- High-quality camera
- 3D camera
- Thermal imaging camera
- 360 degree camera
- Barcode engine

I/O

- USB Micro B
- USB Type C
- SD Card
- Micro HDMI
- Audio Jack

NUI (Natural User interface)

- Stereo Speaker
- Microphone Array
- Touch Module
- 9DoF Module
- Gesture
- Eyeball Tracking

XR appreciation

More immersive
of culture experience



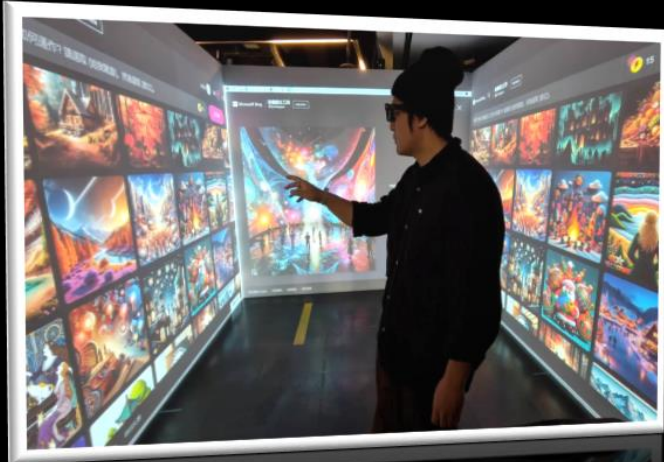
M1

- Jorjin AR Glasses
- Varjo MR HMD
- Smart Office
- Meta Theater
- Live Show

 **MetaSpace**



MetaSpace



M3

- Web & File Browsing
- J8L Smart Glasses
- Coolso Gesture Control

∞ MetaSpace

Mx

- Educational Applications
- Support for various scenarios
- Interchangeable interfaces
- Multiple Interactive Functions





JORJIN
佐臻股份有限公司



<https://www.jorjin.com>

Contact Us

✉ **E-MAIL**
sales@Jorjin.com

☎ **TELEPHONE**
+886(2)2649-0055

📍 **ADDRESS**
17F, No 239, Sec. 1, Datong Rd., Xizhi Dist.,
New Taipei City 22161, Taiwan

See The Future

— 創新未來 · 眼見微屏 —

IMPORTANT NOTICE AND DISCLAIMER

TI PROVIDES TECHNICAL AND RELIABILITY DATA (INCLUDING DATA SHEETS), DESIGN RESOURCES (INCLUDING REFERENCE DESIGNS), APPLICATION OR OTHER DESIGN ADVICE, WEB TOOLS, SAFETY INFORMATION, AND OTHER RESOURCES "AS IS" AND WITH ALL FAULTS, AND DISCLAIMS ALL WARRANTIES, EXPRESS AND IMPLIED, INCLUDING WITHOUT LIMITATION ANY IMPLIED WARRANTIES OF MERCHANTABILITY, FITNESS FOR A PARTICULAR PURPOSE OR NON-INFRINGEMENT OF THIRD PARTY INTELLECTUAL PROPERTY RIGHTS.

These resources are intended for skilled developers designing with TI products. You are solely responsible for (1) selecting the appropriate TI products for your application, (2) designing, validating and testing your application, and (3) ensuring your application meets applicable standards, and any other safety, security, regulatory or other requirements.

These resources are subject to change without notice. TI grants you permission to use these resources only for development of an application that uses the TI products described in the resource. Other reproduction and display of these resources is prohibited. No license is granted to any other TI intellectual property right or to any third party intellectual property right. TI disclaims responsibility for, and you will fully indemnify TI and its representatives against, any claims, damages, costs, losses, and liabilities arising out of your use of these resources.

TI's products are provided subject to [TI's Terms of Sale](#) or other applicable terms available either on [ti.com](https://www.ti.com) or provided in conjunction with such TI products. TI's provision of these resources does not expand or otherwise alter TI's applicable warranties or warranty disclaimers for TI products.

TI objects to and rejects any additional or different terms you may have proposed.

Mailing Address: Texas Instruments, Post Office Box 655303, Dallas, Texas 75265
Copyright © 2024, Texas Instruments Incorporated