

Low-Pass, Filtered, Inverting Amplifier Circuit

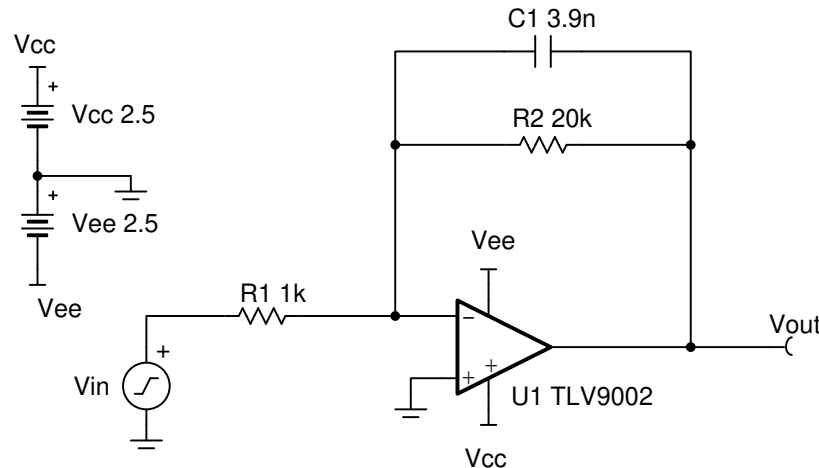


Design Goals

Input		Output		BW	Supply	
V_{iMin}	V_{iMax}	V_{oMin}	V_{oMax}	f_p	V_{ee}	V_{cc}
-0.1V	0.1V	-2V	2V	2kHz	-2.5V	2.5V

Design Description

This tunable low-pass inverting amplifier circuit amplifies the signal level by 26dB or 20V/V. R_2 and C_1 set the cutoff frequency for this circuit. The frequency response of this circuit is the same as that of a passive RC filter, except that the output is amplified by the pass-band gain of the amplifier. Low-pass filters are often used in audio signal chains and are sometimes called bass-boost filters.



Design Notes

1. C_1 and R_2 set the low-pass filter cutoff frequency.
2. The common-mode voltage is set by the non-inverting input of the op amp, which in this case is mid-supply.
3. Using high value resistors can degrade the phase margin of the circuit and introduce additional noise in the circuit.
4. R_2 and R_1 set the gain of the circuit.
5. The pole frequency f_p of 2kHz is selected for an audio bass-boost application.
6. Avoid placing capacitive loads directly on the output of the amplifier to minimize stability issues.
7. Large signal performance may be limited by slew rate. Therefore, check the maximum output swing versus frequency plot in the data sheet to minimize slew-induced distortion.
8. For more information on op amp linear operation region, stability, slew-induced distortion, capacitive load drive, driving ADCs and bandwidth please see the design references section.

Design Steps

The DC transfer function of this circuit is given below.

$$V_o = V_i \times \left(-\frac{R_2}{R_1} \right)$$

- Pick resistor values for given passband gain.

$$\text{Gain} = \frac{R_2}{R_1} = 20 \frac{V}{V} \text{ (26 dB)}$$

$$R_1 = 1 \text{ k}\Omega$$

$$R_2 = \text{Gain} \times (R_1) = 20 \frac{V}{V} \times 1 \text{ k}\Omega = 20 \text{ k}\Omega$$

- Select low-pass filter pole frequency f_p

$$f_p = 2 \text{ kHz}$$

- Calculate C_1 using R_2 to set the location of f_p .

$$f_p = \frac{1}{2 \times \pi \times R_2 \times C_1} = 2 \text{ kHz}$$

$$C_1 = \frac{1}{2 \times \pi \times R_2 \times f_p} = \frac{1}{2 \times \pi \times 20 \text{ k}\Omega \times 2 \text{ kHz}} = 3.98 \text{ nF} \approx 3.9 \text{ nF (Standard Value)}$$

- Calculate the minimum slew rate required to minimize slew-induced distortion.

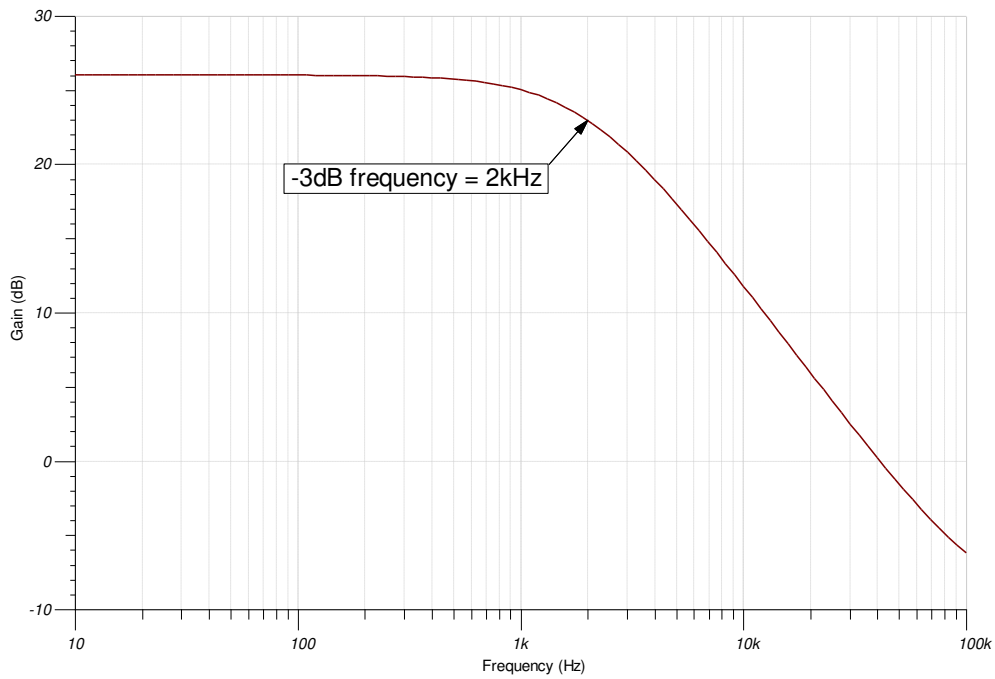
$$V_p = \frac{SR}{2 \times \pi \times f_p} \rightarrow SR > 2 \times \pi \times f_p \times V_p$$

$$SR > 2 \times \pi \times 2 \text{ kHz} \times 2 \text{ V} = 0.025 \frac{V}{\mu\text{s}}$$

- $SR_{TLV9002} = 2\text{V}/\mu\text{s}$, therefore it meets this requirement

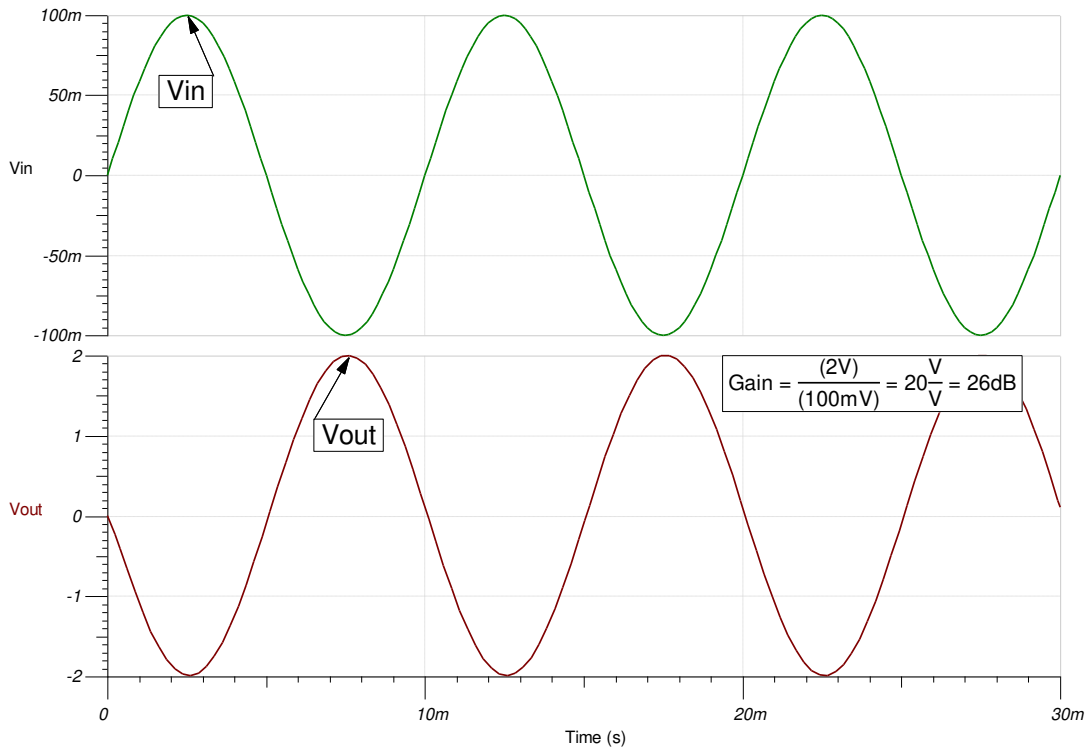
Design Simulations

AC Simulation Results

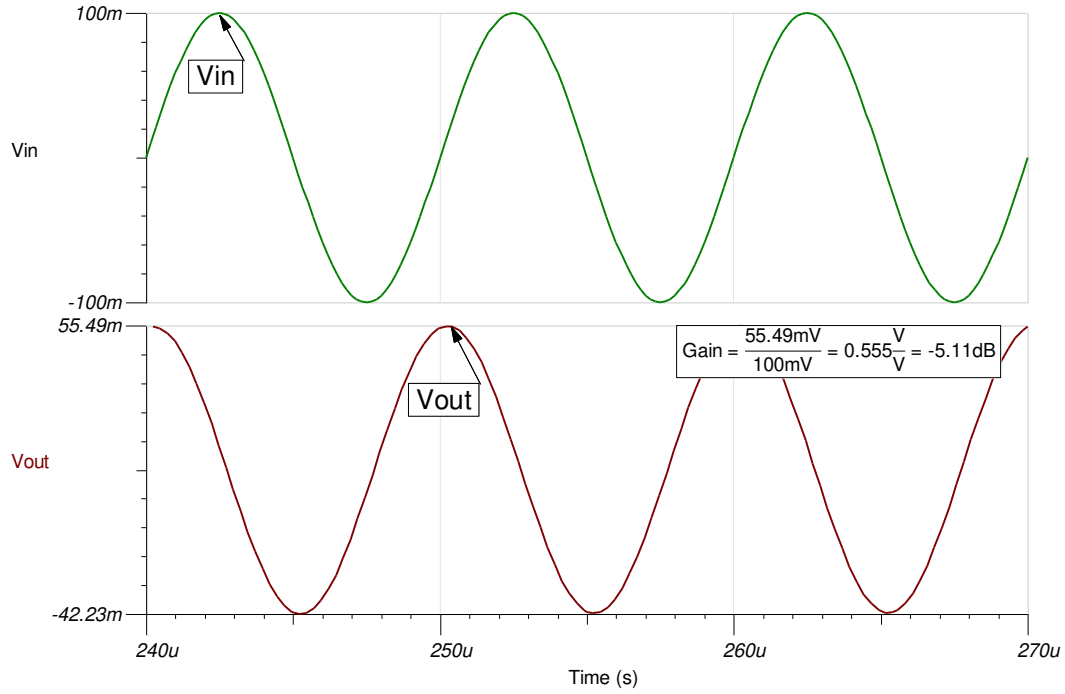


Transient Simulation Results

A 100 Hz, 0.2 V_{pp} sine wave yields a 4 V_{pp} output sine wave.



A 100 kHz, 0.2 V_{pp} sine wave yields a 0.1 V_{pp} output sine wave.



References:

1. [Analog Engineer's Circuit Cookbooks](#)
2. SPICE Simulation File [SBOC523](#)
3. TI Precision Designs [TIPD185](#)
4. [TI Precision Labs](#)

Design Featured Op Amp

TLV9002	
V_{SS}	1.8V to 5.5V
V_{inCM}	Rail-to-rail
V_{out}	Rail-to-rail
V_{os}	0.4mV
I_q	60 μ A
I_b	5pA
UGBW	1MHz
SR	2V/ μ s
#Channels	1,2,4
www.ti.com/product/tlv9002	

Design Alternate Op Amp

OPA375	
V_{SS}	2.25V to 5.5V
V_{inCM}	V_{ee} to $V_{cc} - 1.2V$
V_{out}	Rail-to-rail
V_{os}	0.15mV
I_q	890 μ A
I_b	10pA
UGBW	10MHz
SR	4.75V/ μ s
#Channels	1
www.ti.com/product/opa375	

Revision History

Revision	Date	Change
A	January 2021	Updated result in Design Step 4 from 0.25 to 0.025

IMPORTANT NOTICE AND DISCLAIMER

TI PROVIDES TECHNICAL AND RELIABILITY DATA (INCLUDING DATA SHEETS), DESIGN RESOURCES (INCLUDING REFERENCE DESIGNS), APPLICATION OR OTHER DESIGN ADVICE, WEB TOOLS, SAFETY INFORMATION, AND OTHER RESOURCES "AS IS" AND WITH ALL FAULTS, AND DISCLAIMS ALL WARRANTIES, EXPRESS AND IMPLIED, INCLUDING WITHOUT LIMITATION ANY IMPLIED WARRANTIES OF MERCHANTABILITY, FITNESS FOR A PARTICULAR PURPOSE OR NON-INFRINGEMENT OF THIRD PARTY INTELLECTUAL PROPERTY RIGHTS.

These resources are intended for skilled developers designing with TI products. You are solely responsible for (1) selecting the appropriate TI products for your application, (2) designing, validating and testing your application, and (3) ensuring your application meets applicable standards, and any other safety, security, regulatory or other requirements.

These resources are subject to change without notice. TI grants you permission to use these resources only for development of an application that uses the TI products described in the resource. Other reproduction and display of these resources is prohibited. No license is granted to any other TI intellectual property right or to any third party intellectual property right. TI disclaims responsibility for, and you will fully indemnify TI and its representatives against, any claims, damages, costs, losses, and liabilities arising out of your use of these resources.

TI's products are provided subject to [TI's Terms of Sale](#) or other applicable terms available either on ti.com or provided in conjunction with such TI products. TI's provision of these resources does not expand or otherwise alter TI's applicable warranties or warranty disclaimers for TI products.

TI objects to and rejects any additional or different terms you may have proposed.

Mailing Address: Texas Instruments, Post Office Box 655303, Dallas, Texas 75265
Copyright © 2022, Texas Instruments Incorporated