

OPA690 Wideband, Voltage-Feedback Operational Amplifier With Disable

1 Features

- Unity-gain stable: 535MHz ($G = 1V/V$)
- High output current: 215mA
- High slew rate: 1900V/ μ s
- Low input voltage noise: 4.6nV/ $\sqrt{\text{Hz}}$
- Low distortion ($R_L = 100\Omega$, $V_O = 2V_{PP}$):
 - HD2, HD3 at 5MHz: -85dBc , -75dBc
- Output voltage swing: $\pm 3.9\text{V}$
- Low supply current: 6.1mA
- Low disable current: 100 μ A
- Supply range: 5V to 12V

2 Applications

- High-speed imaging channels
- ADC buffers
- Portable instruments
- Transimpedance amplifiers
- Active filters
- Video line drivers
- xDSL line drivers and receivers

3 Description

The OPA690 device represents a major step forward in unity-gain stable, voltage-feedback op amps. A new input architecture provides slew rate and full-power bandwidth previously found only in wide-band, current-feedback op amps. A new output stage architecture delivers 215mA of current with a minimal headroom requirement. These capabilities combine to give exceptional slew rate of 1900V/ μ s into a 100 Ω load. The ultra-fast settling time of 13ns makes the OPA690 an excellent choice for fast sampling systems such as high-speed ADC drivers, high-speed imaging systems, and current DAC transimpedance amplifier.

The low quiescent current of 6.1mA makes the OPA690 an excellent choice in portable or battery-powered application. System power can be reduced further using the optional disable control pin ($\overline{\text{DIS}}$). Leaving $\overline{\text{DIS}}$ open, or holding $\overline{\text{DIS}}$ high, operates the OPA690 normally. If $\overline{\text{DIS}}$ is pulled low, the OPA690 supply current drops to less than 100 μ A while the output goes to a high-impedance state.

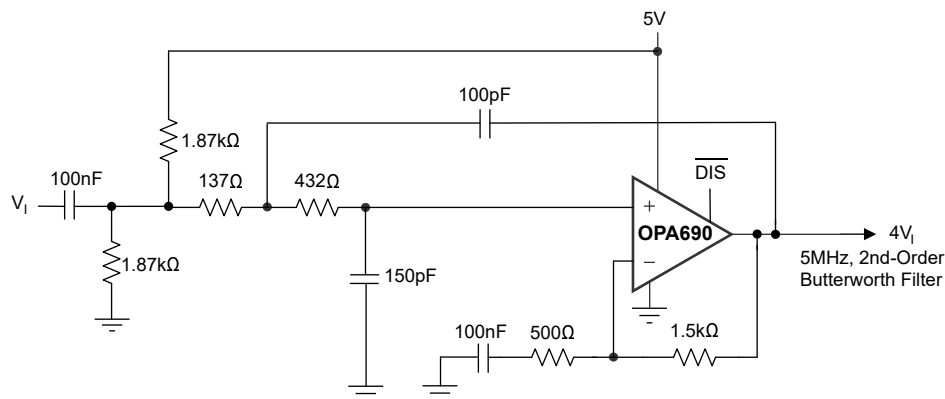
Package Information

PART NUMBER ⁽¹⁾	PACKAGE ⁽²⁾	PACKAGE SIZE ⁽³⁾
OPA690	D (SOIC, 8)	4.9mm × 6mm
	DBV (SOT-23, 6)	3mm × 3mm

(1) See Section 4.

(2) For more information, see Section 11.

(3) The package size (length × width) is a nominal value and includes pins, where applicable.



Single-Supply, Gain of 4V/V, High-Frequency Active Filter



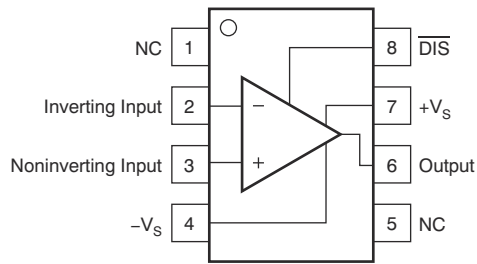
Table of Contents

1 Features	1	7.1 Overview.....	27
2 Applications	1	7.2 Functional Block Diagram.....	27
3 Description	1	7.3 Feature Description.....	27
4 Device Comparison Table	2	7.4 Device Functional Modes.....	29
5 Pin Configuration and Functions	3	8 Application and Implementation	30
6 Specifications	4	8.1 Application Information.....	30
6.1 Absolute Maximum Ratings.....	4	8.2 Typical Applications.....	38
6.2 ESD Ratings.....	4	8.3 Power Supply Recommendations.....	41
6.3 Recommended Operating Conditions.....	4	8.4 Layout.....	41
6.4 Thermal Information.....	4	9 Device and Documentation Support	43
6.5 Electrical Characteristics OPA690IDBV, $V_S = \pm 5\text{ V}$	5	9.1 Device Support.....	43
6.6 Electrical Characteristics OPA690IDBV, $V_S = 5\text{ V}$	7	9.2 Receiving Notification of Documentation Updates... 43	43
6.7 Electrical Characteristics OPA690ID, $V_S = \pm 5\text{ V}$	9	9.3 Support Resources.....	43
6.8 Electrical Characteristics OPA690ID, $V_S = 5\text{ V}$	11	9.4 Trademarks.....	43
6.9 Typical Characteristics: OPA690IDBV, $V_S = \pm 5\text{ V}$	13	9.5 Electrostatic Discharge Caution.....	43
6.10 Typical Characteristics: OPA690IDBV, $V_S = 5\text{ V}$	18	9.6 Glossary.....	43
6.11 Typical Characteristics: OPA690ID, $V_S = \pm 5\text{ V}$	20	10 Revision History	44
6.12 Typical Characteristics: OPA690ID, $V_S = 5\text{ V}$	25	11 Mechanical, Packaging, and Orderable Information	47
7 Detailed Description	27		

4 Device Comparison Table

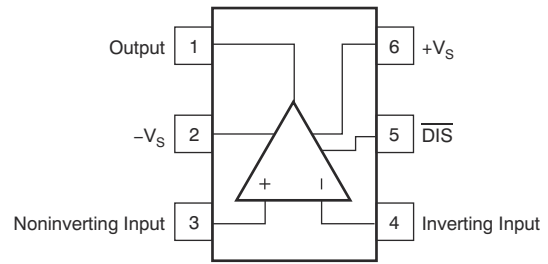
DEVICE	V_S (V)	GBW (MHz)	SLEW RATE (V/ μ s)	VOLTAGE NOISE (nV/ $\sqrt{\text{Hz}}$)	ARCHITECTURE
OPA814	± 6.3	250	750	5.3	FET-input, voltage-feedback
OPA817	± 6.3	400	1000	4.5	FET-input, voltage-feedback
OPA818	± 6.5	2700	1400	2.2	FET-input, voltage-feedback
OPA690	± 6	300	1900	4.6	Bipolar-input, voltage-feedback
OPA695	± 6	N/A	4300	1.8	Bipolar-input, current-feedback

5 Pin Configuration and Functions



NOTE: NC = not connected.

Figure 5-1. D Package, 8-Pin SOIC (Top View)



Pin Orientation/Package Marking

Figure 5-2. DBV Package, 6-Pin SOT-23 (Top View)

Table 5-1. Pin Functions

NAME	PIN NO.		TYPE ⁽¹⁾	DESCRIPTION
	D (SOIC)	DBV (SOT-23)		
DIS	8	5	I	Disable the op amp (low = disable, high = enable)
IN-	2	4	I	Inverting input
IN+	3	3	I	Noninverting input
NC	1, 5	—	—	No connection
Output	6	1	O	Output of amplifier
-Vs	4	2	P	Negative power supply
+Vs	7	6	P	Positive power supply

(1) I = input, O = output, P = power.

6 Specifications

6.1 Absolute Maximum Ratings

over operating free-air temperature range (unless otherwise noted)⁽¹⁾

	MIN	MAX	UNIT
Power supply		±6.5	V _{DC}
Internal power dissipation	See <i>Thermal Analysis</i>		
Differential input voltage		±1.2	V
Supply turn-on and turn-off rates ⁽²⁾		±0.4	V/μs
Continuous input current ⁽³⁾		±10	mA
Input voltage		±V _S	V
Junction temperature, T _J		150	°C
Storage temperature, T _{stg}	–65	125	°C

- (1) Operation outside the *Absolute Maximum Ratings* may cause permanent device damage. *Absolute Maximum Ratings* do not imply functional operation of the device at these or any other conditions beyond those listed under *Recommended Operating Conditions*. If used outside the *Recommended Operating Conditions* but within the *Absolute Maximum Ratings*, the device may not be fully functional, and this may affect device reliability, functionality, performance, and shorten the device lifetime.
- (2) Staying less than this specification keeps the edge-triggered ESD absorption devices across the supply pins off.
- (3) Continuous input current limit for the ESD diodes to supply pins.

6.2 ESD Ratings

			VALUE	UNIT
V _(ESD)	Electrostatic discharge	Human-body model (HBM), per ANSI/ESDA/JEDEC JS-001 ⁽¹⁾	±2000	V
		Charged-device model (CDM), per JEDEC specification JESD22-C101 ⁽²⁾	±1500	

- (1) JEDEC document JEP155 states that 500-V HBM allows safe manufacturing with a standard ESD control process.
- (2) JEDEC document JEP157 states that 250-V CDM allows safe manufacturing with a standard ESD control process.

6.3 Recommended Operating Conditions

over operating free-air temperature range (unless otherwise noted)

		MIN	NOM	MAX	UNIT
V _S	Total supply voltage	5	10	12	V
T _A	Operating temperature	–40		85	°C

6.4 Thermal Information

THERMAL METRIC ⁽¹⁾		OPA690		UNIT
		D (SOIC)	DBV (SOT-23)	
		8 PINS	6 PINS	
R _{θJA}	Junction-to-ambient thermal resistance	125	171.6	°C/W
R _{θJC(top)}	Junction-to-case (top) thermal resistance	70	110.6	°C/W
R _{θJB}	Junction-to-board thermal resistance	65.3	85.1	°C/W
ψ _{JT}	Junction-to-top characterization parameter	25.6	53.9	°C/W
ψ _{JB}	Junction-to-board characterization parameter	64.8	84.9	°C/W
R _{θJC(bot)}	Junction-to-case (bottom) thermal resistance	N/A	N/A	°C/W

- (1) For more information about traditional and new thermal metrics, see the [Semiconductor and IC Package Thermal Metrics](#) application report.

6.5 Electrical Characteristics OPA690IDBV, $V_S = \pm 5\text{ V}$

at $T_A \approx 25^\circ\text{C}$, $R_F = 402\ \Omega$, $R_L = 100\ \Omega$, $G = 2\ \text{V/V}$, and input and output referenced to midsupply (unless otherwise noted)

PARAMETER		TEST CONDITIONS		MIN	TYP	MAX	UNIT
AC PERFORMANCE (SEE Figure 7-1)							
SSBW	Small-signal bandwidth	$G = 1\ \text{V/V}$, $V_O = 0.5\ V_{PP}$, $R_F = 25\ \Omega$			535		MHz
		$G = 2\ \text{V/V}$, $V_O = 0.5\ V_{PP}$			220		
		$G = 10\ \text{V/V}$, $V_O = 0.5\ V_{PP}$			30		
GBP	Gain bandwidth product	$G \geq 10\ \text{V/V}$			300		MHz
	Bandwidth for 0.1-dB gain flatness	$V_O = 0.5\ V_{PP}$			25		MHz
	Peaking at a gain of 1 V/V	$V_O = 0.5\ V_{PP}$			1		dB
	Large-signal bandwidth	$V_O = 2\ V_{PP}$			225		MHz
	Slew rate	4-V step			1900		V/ μs
	Rise-and-fall time	$V_O = 0.5\text{-V step}$			1.4		ns
		$V_O = 4\text{-V step}$			2.3		
	Settling time	0.02%, $V_O = 2\text{-V step}$			13		ns
		0.1%, $V_O = 2\text{-V step}$			8		
	Harmonic distortion	2nd-harmonic, $f = 5\ \text{MHz}$	$V_O = 2\ V_{PP}$, $R_L = 100\ \Omega$		-85		dBc
			$V_O = 2\ V_{PP}$, $R_L = 500\ \Omega$		-85		
		3rd-harmonic, $f = 5\ \text{MHz}$	$V_O = 2\ V_{PP}$, $R_L = 100\ \Omega$		-75		
			$V_O = 2\ V_{PP}$, $R_L = 500\ \Omega$		-90		
	Input voltage noise	$f > 1\ \text{MHz}$			4.6		nV/ $\sqrt{\text{Hz}}$
	Input current noise	$f > 1\ \text{MHz}$			1.7		pA/ $\sqrt{\text{Hz}}$
DC PERFORMANCE							
A_{OL}	Open-loop voltage gain	$V_O = 0\ \text{V}$, $R_L = 100\ \Omega$		58	78		dB
			$T_A = -40^\circ\text{C to } +85^\circ\text{C}$	54			
V_{OS}	Input offset voltage	$V_{CM} = 0\ \text{V}$			± 0.3	± 4	mV
			$T_A = -40^\circ\text{C to } +85^\circ\text{C}$			± 4.7	
	Average offset voltage drift	$V_{CM} = 0\ \text{V}$, $T_A = -40^\circ\text{C to } +85^\circ\text{C}$				± 10	$\mu\text{V}/^\circ\text{C}$
	Input bias current	$V_{CM} = 0\ \text{V}$			± 1	± 10	μA
			$T_A = -40^\circ\text{C to } +85^\circ\text{C}$			± 12	
	Average bias current drift	$V_{CM} = 0\ \text{V}$, $T_A = -40^\circ\text{C to } +85^\circ\text{C}$				± 40	nA/ $^\circ\text{C}$
	Input offset current	$V_{CM} = 0\ \text{V}$			± 0.05	± 1	μA
			$T_A = -40^\circ\text{C to } +85^\circ\text{C}$			± 1.6	
	Average offset current drift	$V_{CM} = 0\ \text{V}$, $T_A = -40^\circ\text{C to } +85^\circ\text{C}$				± 9	nA/ $^\circ\text{C}$
INPUT							
CMIR	Common-mode input voltage ⁽¹⁾			± 3.4	± 3.85		V
		$T_A = -40^\circ\text{C to } +85^\circ\text{C}$		± 3.2			
CMRR	Common-mode rejection ratio	$V_{CM} = \pm 1\ \text{V}$		60	80		dB
			$T_A = -40^\circ\text{C to } +85^\circ\text{C}$		56		
	Input impedance	Differential mode, $V_{CM} = 0\ \text{V}$			$6 \parallel 0.1$		M $\Omega \parallel$ pF
		Common-mode, $V_{CM} = 0\ \text{V}$			$38 \parallel 1$		

6.5 Electrical Characteristics OPA690IDBV, $V_S = \pm 5\text{ V}$ (continued)

at $T_A \cong 25^\circ\text{C}$, $R_F = 402\ \Omega$, $R_L = 100\ \Omega$, $G = 2\ \text{V/V}$, and input and output referenced to midsupply (unless otherwise noted)

PARAMETER		TEST CONDITIONS		MIN	TYP	MAX	UNIT
OUTPUT							
Voltage output swing	No load	$T_A = -40^\circ\text{C to } +85^\circ\text{C}$		± 3.7	± 3.9	V	
				± 3.6			
	$R_L = 100\ \Omega$	$T_A = -40^\circ\text{C to } +85^\circ\text{C}$		± 3.7	± 3.85		
				± 3.3			
Current output	Sourcing, $V_O = 0\ \text{V}$	$T_A = -40^\circ\text{C to } +85^\circ\text{C}$		160	215	mA	
				100			
	Sinking, $V_O = 0\ \text{V}$	$T_A = -40^\circ\text{C to } +85^\circ\text{C}$		-160	-215		
				-100			
Short-circuit current limit	$V_O = 0\ \text{V}$			240		mA	
Closed-loop output impedance	$G = 2$, $f = 100\ \text{kHz}$			0.01		Ω	
DISABLE (DISABLED LOW)							
Power-down supply current	$V_{\text{DIS}} = 0\ \text{V}$	$T_A = -40^\circ\text{C to } +85^\circ\text{C}$		100	200	μA	
					260		
Disable time	$V_{\text{IN}} = 1\ \text{V}_{\text{DC}}$			600		ns	
Enable time	$V_{\text{IN}} = 1\ \text{V}_{\text{DC}}$			40		ns	
Off isolation	$R_L = 150\ \Omega$, $V_{\text{IN}} = 0\ \text{V}$			73		dB	
Output capacitance in disable	$G = 2$, $R_L = 150\ \Omega$, $V_{\text{IN}} = 0\ \text{V}$			8		pF	
Enable voltage	$T_A = -40^\circ\text{C to } +85^\circ\text{C}$			3.3	3.5	V	
					3.7		
Disable voltage	$T_A = -40^\circ\text{C to } +85^\circ\text{C}$		1.7	2.3	V		
			1.5				
Control-pin input bias current	$V_{\text{DIS}} = 0\ \text{V}$	$T_A = -40^\circ\text{C to } +85^\circ\text{C}$		60	130	μA	
					160		
POWER SUPPLY							
Quiescent current	$T_A = -40^\circ\text{C to } +85^\circ\text{C}$		5.2	6.1	7	mA	
			4.3		7		
PSRR	Power-supply rejection ratio	Input-referred		68	86	dB	
			$T_A = -40^\circ\text{C to } +85^\circ\text{C}$	64			

(1) Tested < 3 dB below minimum specified CMRR at $\pm\text{CMIR}$ limits.

6.6 Electrical Characteristics OPA690IDBV, $V_S = 5\text{ V}$

at $T_A \approx 25^\circ\text{C}$, $R_F = 402\ \Omega$, $R_L = 100\ \Omega$, $G = 2\text{ V/V}$, and input and output referenced to midsupply (unless otherwise noted)

PARAMETER		TEST CONDITIONS		MIN	TYP	MAX	UNIT
AC PERFORMANCE (SEE Figure 7-2)							
	Small-signal bandwidth	$G = 1\text{ V/V}$, $V_O = 0.5\text{ V}_{PP}$, $R_F = 25\ \Omega$			460		MHz
		$G = 2\text{ V/V}$, $V_O = 0.5\text{ V}_{PP}$			190		
		$G = 10\text{ V/V}$, $V_O = 0.5\text{ V}_{PP}$			30		
	Gain bandwidth product	$G \geq 10$			300		MHz
	Bandwidth for 0.1-dB gain flatness	$V_O = 0.5\text{ V}_{PP}$			20		MHz
	Peaking at a gain of 1 V/V	$V_O = 0.5\text{ V}_{PP}$			1.3		dB
	Large-signal bandwidth	$V_O = 2\text{ V}_{PP}$			220		MHz
	Slew rate	2-V step			850		V/ μs
	Rise-and-fall time	$V_O = 0.5\text{-V step}$			1.6		ns
		$V_O = 2\text{-V step}$			2		
	Settling time	0.02%, $G = 2$, $V_O = 2\text{-V step}$			19		ns
		0.1%, $G = 2$, $V_O = 2\text{-V step}$			16		
	Harmonic distortion	2nd-harmonic, $f = 5\text{ MHz}$	$V_O = 2\text{ V}_{PP}$, $R_L = 100\ \Omega$		-74		dBc
			$V_O = 2\text{ V}_{PP}$, $R_L = 500\ \Omega$		-75		
		3rd-harmonic, $f = 5\text{ MHz}$	$V_O = 2\text{ V}_{PP}$, $R_L = 100\ \Omega$		-75		
			$V_O = 2\text{ V}_{PP}$, $R_L = 500\ \Omega$		-77		
	Input voltage noise	$f > 1\text{ MHz}$			4.6		nV/ $\sqrt{\text{Hz}}$
	Input current noise	$f > 1\text{ MHz}$			1.6		pA/ $\sqrt{\text{Hz}}$
DC PERFORMANCE							
A_{OL}	Open-loop voltage gain	$V_O = 2.5\text{ V}$, $R_L = 100\ \Omega$ to $V_S/2$		56	77		dB
			$T_A = -40^\circ\text{C}$ to $+85^\circ\text{C}$	52			
	Input offset voltage	$V_{CM} = 2.5\text{ V}$			± 0.3	± 4	mV
			$T_A = -40^\circ\text{C}$ to $+85^\circ\text{C}$			± 4.7	
	Average offset voltage drift	$V_{CM} = 2.5\text{ V}$, $T_A = -40^\circ\text{C}$ to $+85^\circ\text{C}$				± 10	$\mu\text{V}/^\circ\text{C}$
	Input bias current	$V_{CM} = 2.5\text{ V}$			± 1	± 10	μA
			$T_A = -40^\circ\text{C}$ to $+85^\circ\text{C}$			± 12	
	Average bias current drift	$V_{CM} = 2.5\text{ V}$, $T_A = -40^\circ\text{C}$ to $+85^\circ\text{C}$				± 40	nA/ $^\circ\text{C}$
	Input offset current	$V_{CM} = 2.5\text{ V}$			± 0.05	± 1	μA
			$T_A = -40^\circ\text{C}$ to $+85^\circ\text{C}$			± 1.6	
	Average offset current drift	$V_{CM} = 2.5\text{ V}$, $T_A = -40^\circ\text{C}$ to $+85^\circ\text{C}$				± 9	nA/ $^\circ\text{C}$
INPUT							
	Most-positive input voltage ⁽¹⁾			3.4	3.85		V
		$T_A = -40^\circ\text{C}$ to $+85^\circ\text{C}$		3.2			
	Least-positive input voltage ⁽¹⁾			1.6	1.15		V
		$T_A = -40^\circ\text{C}$ to $+85^\circ\text{C}$		1.8			
CMRR	Common-mode rejection ratio	$V_{CM} = 2.5\text{ V} \pm 0.5\text{ V}$		58	79		dB
			$T_A = -40^\circ\text{C}$ to $+85^\circ\text{C}$	54			
	Input impedance	Differential mode, $V_{CM} = 2.5\text{ V}$			6 0.1		M Ω pF
		Common-mode, $V_{CM} = 2.5\text{ V}$			27 1.1		

6.6 Electrical Characteristics OPA690IDBV, $V_S = 5\text{ V}$ (continued)

at $T_A \cong 25^\circ\text{C}$, $R_F = 402\ \Omega$, $R_L = 100\ \Omega$, $G = 2\ \text{V/V}$, and input and output referenced to midsupply (unless otherwise noted)

PARAMETER		TEST CONDITIONS		MIN	TYP	MAX	UNIT	
OUTPUT								
	Most-positive output voltage	No load		3.7	3.9		V	
			$T_A = -40^\circ\text{C to } +85^\circ\text{C}$	3.5				
		$R_L = 100\ \Omega\ \text{to } 2.5\ \text{V}$		3.7	3.85			
			$T_A = -40^\circ\text{C to } +85^\circ\text{C}$	3.4				
	Least-positive output voltage	No load			1.1	1.3	V	
			$T_A = -40^\circ\text{C to } +85^\circ\text{C}$					1.5
		$R_L = 100\ \Omega\ \text{to } 2.5\ \text{V}$				1.15		1.3
			$T_A = -40^\circ\text{C to } +85^\circ\text{C}$					1.7
	Current output	Sourcing			190	120	mA	
			$T_A = -40^\circ\text{C to } +85^\circ\text{C}$					80
		Sinking		-120	-190			
			$T_A = -40^\circ\text{C to } +85^\circ\text{C}$	-80				
	Short-circuit current				± 250		mA	
	Closed-loop output impedance	$G = 2$, $f = 100\ \text{kHz}$			0.01		Ω	
DISABLE (DISABLED LOW)								
	Power-down supply current	$V_{\text{DIS}} = 0\ \text{V}$			75	200	μA	
			$T_A = -40^\circ\text{C to } +85^\circ\text{C}$					260
	Off isolation	$G = 2$, $5\ \text{MHz}$			72		dB	
	Output capacitance in disable				8		pF	
	Enable voltage				3.3	3.5	V	
			$T_A = -40^\circ\text{C to } +85^\circ\text{C}$					3.7
	Disable voltage			1.7	2.4		V	
			$T_A = -40^\circ\text{C to } +85^\circ\text{C}$	1.5				
V_{DIS}	Control-pin input bias current	$V_{\text{DIS}} = 0\ \text{V}$			60	130	μA	
			$T_A = -40^\circ\text{C to } +85^\circ\text{C}$					160
POWER SUPPLY								
	Quiescent current	$V_S = +5\ \text{V}$		4.48	6.1	6.8	mA	
			$T_A = -40^\circ\text{C to } +85^\circ\text{C}$	3.86		6.9		
+PSRR	Power-supply rejection ratio	Input-referred			85		dB	

(1) Tested for CMRR = 69 dB at $\pm\text{CMIR}$ limits.

6.7 Electrical Characteristics OPA690ID, $V_S = \pm 5\text{ V}$

at $T_A \approx 25^\circ\text{C}$, $R_F = 402\ \Omega$, $R_L = 100\ \Omega$, $G = 2\ \text{V/V}$, and input and output referenced to midsupply (unless otherwise noted)

PARAMETER		TEST CONDITIONS		MIN	TYP	MAX	UNIT
AC PERFORMANCE (SEE Figure 7-1)							
SSBW	Small-signal bandwidth	$G = 1\ \text{V/V}$, $V_O = 0.5\ V_{PP}$, $R_F = 25\ \Omega$			500		MHz
		$G = 2\ \text{V/V}$, $V_O = 0.5\ V_{PP}$			220		
		$G = 10\ \text{V/V}$, $V_O = 0.5\ V_{PP}$			30		
GBP	Gain bandwidth product	$G \geq 10\ \text{V/V}$			300		MHz
	Bandwidth for 0.1-dB gain flatness	$V_O < 0.5\ V_{PP}$			30		MHz
	Peaking at a gain of 1 V/V	$V_O < 0.5\ V_{PP}$			4		dB
	Large-signal bandwidth	$V_O = 5\ V_{PP}$			200		MHz
	Slew rate	4-V step			1800		V/ μs
	Rise-and-fall time	$V_O = 0.5\text{-V step}$			1.4		ns
		$V_O = 5\text{-V step}$			2.8		
	Settling time	0.02%, $V_O = 2\text{-V step}$			12		ns
		0.1%, $V_O = 2\text{-V step}$			8		
	Harmonic distortion	2nd-harmonic, $f = 5\ \text{MHz}$	$V_O = 2\ V_{PP}$, $R_L = 100\ \Omega$		-68		dBc
			$V_O = 2\ V_{PP}$, $R_L = 500\ \Omega$		-77		
		3rd-harmonic, $f = 5\ \text{MHz}$	$V_O = 2\ V_{PP}$, $R_L = 100\ \Omega$		-70		
			$V_O = 2\ V_{PP}$, $R_L = 500\ \Omega$		-81		
	Input voltage noise	$f > 1\ \text{MHz}$			5.5		nV/ $\sqrt{\text{Hz}}$
	Input current noise	$f > 1\ \text{MHz}$			3.1		pA/ $\sqrt{\text{Hz}}$
DC PERFORMANCE							
A_{OL}	Open-loop voltage gain	$V_O = 0\ \text{V}$, $R_L = 100\ \Omega$		58	69		dB
			$T_A = -40^\circ\text{C to } +85^\circ\text{C}$	54			
V_{OS}	Input offset voltage	$V_{CM} = 0\ \text{V}$			± 1	± 4	mV
			$T_A = -40^\circ\text{C to } +85^\circ\text{C}$			± 4.7	
	Average offset voltage drift	$V_{CM} = 0\ \text{V}$, $T_A = -40^\circ\text{C to } +85^\circ\text{C}$				± 10	$\mu\text{V}/^\circ\text{C}$
	Input bias current	$V_{CM} = 0\ \text{V}$			± 3	± 10	μA
			$T_A = -40^\circ\text{C to } +85^\circ\text{C}$			± 12	
	Average bias current drift	$V_{CM} = 0\ \text{V}$, $T_A = -40^\circ\text{C to } +85^\circ\text{C}$				± 40	nA/ $^\circ\text{C}$
	Input offset current	$V_{CM} = 0\ \text{V}$			± 0.1	± 1	μA
			$T_A = -40^\circ\text{C to } +85^\circ\text{C}$			± 1.6	
	Average offset current drift	$V_{CM} = 0\ \text{V}$, $T_A = -40^\circ\text{C to } +85^\circ\text{C}$				± 9	nA/ $^\circ\text{C}$
INPUT							
CMIR	Common-mode input voltage ⁽¹⁾			± 3.4	± 3.5		V
		$T_A = -40^\circ\text{C to } +85^\circ\text{C}$		± 3.2			
CMRR	Common-mode rejection ratio	$V_{CM} = \pm 1\ \text{V}$		60	65		dB
			$T_A = -40^\circ\text{C to } +85^\circ\text{C}$		56		
	Input impedance	Differential mode, $V_{CM} = 0\ \text{V}$			190 0.6		k Ω pF
		Common-mode, $V_{CM} = 0\ \text{V}$			3.2 0.9		M Ω pF

6.7 Electrical Characteristics OPA690ID, $V_S = \pm 5\text{ V}$ (continued)

at $T_A \cong 25^\circ\text{C}$, $R_F = 402\ \Omega$, $R_L = 100\ \Omega$, $G = 2\ \text{V/V}$, and input and output referenced to midsupply (unless otherwise noted)

PARAMETER		TEST CONDITIONS		MIN	TYP	MAX	UNIT
OUTPUT							
Voltage output swing	No load	$T_A = -40^\circ\text{C to } +85^\circ\text{C}$		± 3.8	± 4		V
				± 3.6			
	$R_L = 100\ \Omega$	$T_A = -40^\circ\text{C to } +85^\circ\text{C}$		± 3.7	± 3.9		
				± 3.3			
Current output	Sourcing, $V_O = 0\ \text{V}$	$T_A = -40^\circ\text{C to } +85^\circ\text{C}$		160	190		mA
				100			
	Sinking, $V_O = 0\ \text{V}$	$T_A = -40^\circ\text{C to } +85^\circ\text{C}$		-160	-190		
				-100			
Short-circuit current limit	$V_O = 0\ \text{V}$			± 250			mA
Closed-loop output impedance	$G = 2$, $f = 100\ \text{kHz}$				0.04		Ω
DISABLE (DISABLED LOW)							
Power-down supply current	$V_{DIS} = 0\ \text{V}$	$T_A = -40^\circ\text{C to } +85^\circ\text{C}$			-100	-200	μA
						-260	
Disable time	$V_{IN} = 1\ \text{V}_{DC}$				200		ns
Enable time	$V_{IN} = 1\ \text{V}_{DC}$				25		ns
Off isolation	$R_L = 150\ \Omega$, $V_{IN} = 0\ \text{V}$				70		dB
Output capacitance in disable	$G = 2$, $R_L = 150\ \Omega$, $V_{IN} = 0\ \text{V}$				4		pF
Turn-on glitch					± 50		mV
Turn-off glitch					± 20		mV
Enable voltage	$T_A = -40^\circ\text{C to } +85^\circ\text{C}$		3.5	3.3			V
			3.7				
Disable voltage	$T_A = -40^\circ\text{C to } +85^\circ\text{C}$			1.8	1.7		V
					1.5		
Control-pin input bias current	$V_{DIS} = 0\ \text{V}$	$T_A = -40^\circ\text{C to } +85^\circ\text{C}$			75	130	μA
						160	
POWER SUPPLY							
Quiescent current		$T_A = -40^\circ\text{C to } +85^\circ\text{C}$		5.3	5.5	5.8	mA
				4.3		6.6	
PSRR	Power-supply rejection ratio	Input-referred	$T_A = -40^\circ\text{C to } +85^\circ\text{C}$		68	75	dB
					64		

(1) Tested < 3 dB below minimum specified CMRR at $\pm\text{CMIR}$ limits.

6.8 Electrical Characteristics OPA690ID, $V_S = 5\text{ V}$

at $T_A \approx 25^\circ\text{C}$, $R_F = 402\ \Omega$, $R_L = 100\ \Omega$, $G = 2\text{ V/V}$, and input and output referenced to midsupply (unless otherwise noted)

PARAMETER		TEST CONDITIONS		MIN	TYP	MAX	UNIT
AC PERFORMANCE (SEE Figure 7-2)							
	Small-signal bandwidth	$G = 1\text{ V/V}$, $V_O = 0.5\text{ V}_{PP}$, $R_F = 25\ \Omega$			400		MHz
		$G = 2\text{ V/V}$, $V_O = 0.5\text{ V}_{PP}$			190		
		$G = 10\text{ V/V}$, $V_O = 0.5\text{ V}_{PP}$			25		
	Gain bandwidth product	$G \geq 10$			250		MHz
	Bandwidth for 0.1-dB gain flatness	$V_O < 0.5\text{ V}_{PP}$			20		MHz
	Peaking at a gain of 1 V/V	$V_O < 0.5\text{ V}_{PP}$			5		dB
	Large-signal bandwidth	$V_O = 2\text{ V}_{PP}$			220		MHz
	Slew rate	2-V step			1000		V/ μs
	Rise-and-fall time	$V_O = 0.5\text{-V step}$			1.6		ns
		$V_O = 2\text{-V step}$			2		
	Settling time	0.02%, $G = 2$, $V_O = 2\text{-V step}$			12		ns
		0.1%, $G = 2$, $V_O = 2\text{-V step}$			8		
	Harmonic distortion	2nd-harmonic, $f = 5\text{ MHz}$	$V_O = 2\text{ V}_{PP}$, $R_L = 100\ \Omega$	-65	-60	dBc	
			$V_O = 2\text{ V}_{PP}$, $R_L = 500\ \Omega$	-75	-70		
		3rd-harmonic, $f = 5\text{ MHz}$	$V_O = 2\text{ V}_{PP}$, $R_L = 100\ \Omega$	-68	-64		
			$V_O = 2\text{ V}_{PP}$, $R_L = 500\ \Omega$	-77	-73		
	Input voltage noise	$f > 1\text{ MHz}$			5.6		nV/ $\sqrt{\text{Hz}}$
	Input current noise	$f > 1\text{ MHz}$			3.2		pA/ $\sqrt{\text{Hz}}$
DC PERFORMANCE							
A_{OL}	Open-loop voltage gain	$V_O = 2.5\text{ V}$, $R_L = 100\ \Omega$ to $V_S/2$		56	63	dB	
			$T_A = -40^\circ\text{C}$ to $+85^\circ\text{C}$	52			
	Input offset voltage	$V_{CM} = 2.5\text{ V}$		± 1	± 4	mV	
			$T_A = -40^\circ\text{C}$ to $+85^\circ\text{C}$		± 4.7		
	Average offset voltage drift	$V_{CM} = 2.5\text{ V}$, $T_A = -40^\circ\text{C}$ to $+85^\circ\text{C}$			± 10		$\mu\text{V}/^\circ\text{C}$
	Input bias current	$V_{CM} = 2.5\text{ V}$		± 3	± 10	μA	
			$T_A = -40^\circ\text{C}$ to $+85^\circ\text{C}$		± 12		
	Average bias current drift	$V_{CM} = 2.5\text{ V}$, $T_A = -40^\circ\text{C}$ to $+85^\circ\text{C}$			± 40		nA/ $^\circ\text{C}$
	Input offset current	$V_{CM} = 2.5\text{ V}$		± 0.3	± 1	μA	
			$T_A = -40^\circ\text{C}$ to $+85^\circ\text{C}$		± 1.6		
	Average offset current drift	$V_{CM} = 2.5\text{ V}$, $T_A = -40^\circ\text{C}$ to $+85^\circ\text{C}$			± 9		nA/ $^\circ\text{C}$
INPUT							
	Most-positive input voltage ⁽¹⁾			3.4	3.5	V	
		$T_A = -40^\circ\text{C}$ to $+85^\circ\text{C}$		3.2			
	Least-positive input voltage ⁽¹⁾			1.6	1.5	V	
		$T_A = -40^\circ\text{C}$ to $+85^\circ\text{C}$		1.8			
CMRR	Common-mode rejection ratio	$V_{CM} = 2.5\text{ V} \pm 0.5\text{ V}$		58	63	dB	
			$T_A = -40^\circ\text{C}$ to $+85^\circ\text{C}$		54		
	Input impedance	Differential mode, $V_{CM} = 2.5\text{ V}$		92 1.4		k Ω pF	
		Common-mode, $V_{CM} = 2.5\text{ V}$		2.2 1.5		M Ω pF	

6.8 Electrical Characteristics OPA690ID, $V_S = 5\text{ V}$ (continued)

at $T_A \cong 25^\circ\text{C}$, $R_F = 402\ \Omega$, $R_L = 100\ \Omega$, $G = 2\text{ V/V}$, and input and output referenced to midsupply (unless otherwise noted)

PARAMETER		TEST CONDITIONS		MIN	TYP	MAX	UNIT
OUTPUT							
	Most-positive output voltage	No load		3.8	4		V
			$T_A = -40^\circ\text{C to } +85^\circ\text{C}$	3.5			
		$R_L = 100\ \Omega\text{ to } 2.5\text{ V}$		3.7	3.9		
			$T_A = -40^\circ\text{C to } +85^\circ\text{C}$	3.4			
	Least-positive output voltage	No load		1.2	1		V
			$T_A = -40^\circ\text{C to } +85^\circ\text{C}$	1.5			
		$R_L = 100\ \Omega\text{ to } 2.5\text{ V}$			1.1	1.3	
			$T_A = -40^\circ\text{C to } +85^\circ\text{C}$			1.7	
	Current output	Sourcing			160	120	mA
			$T_A = -40^\circ\text{C to } +85^\circ\text{C}$				
		Sinking		-120	-160		
			$T_A = -40^\circ\text{C to } +85^\circ\text{C}$	-80			
	Short-circuit current				± 250		mA
	Closed-loop output impedance	$G = 2$, $f = 100\text{ kHz}$			0.04		Ω
DISABLE (DISABLED LOW)							
	Power-down supply current	$V_{DIS} = 0\text{ V}$			-100		μA
			$T_A = -40^\circ\text{C to } +85^\circ\text{C}$			-260	
	Off isolation	$G = 2$, 5 MHz			65		dB
	Output capacitance in disable				4		pF
	Turn-on glitch	$G = 2$, $R_L = 150\ \Omega$, $V_{IN} = V_S/2$			± 50		mV
	Turn-off glitch	$G = 2$, $R_L = 150\ \Omega$, $V_{IN} = V_S/2$			± 20		mV
	Enable voltage	$T_A = -40^\circ\text{C to } +85^\circ\text{C}$		3.5	3.3		V
				3.7			
	Disable voltage	$T_A = -40^\circ\text{C to } +85^\circ\text{C}$			1.8	1.7	V
						1.5	
V_{DIS}	Control-pin input bias current	$V_{DIS} = 0\text{ V}$			75	130	μA
			$T_A = -40^\circ\text{C to } +85^\circ\text{C}$			160	
POWER SUPPLY							
	Quiescent current	$V_S = +5\text{ V}$		4.48	4.9	5.44	mA
			$T_A = -40^\circ\text{C to } +85^\circ\text{C}$	3.86		6.02	
+PSRR	Power-supply rejection ratio	Input-referred			72		dB

(1) Tested for CMRR = 69 dB at $\pm\text{CMIR}$ limits.

6.9 Typical Characteristics: OPA690IDBV, $V_S = \pm 5V$

at $T_A \cong 25^\circ C$, $R_F = 402\Omega$, $R_L = 100\Omega$, $G = 2V/V$, and input and output referenced to midsupply (unless otherwise noted)

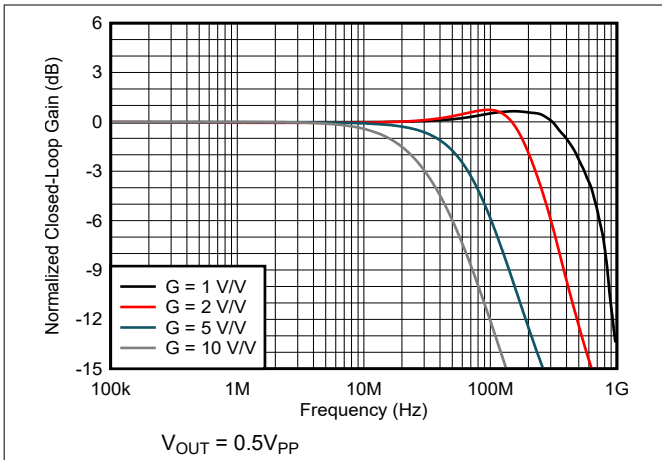


Figure 6-1. Noninverting Small-Signal Frequency Response

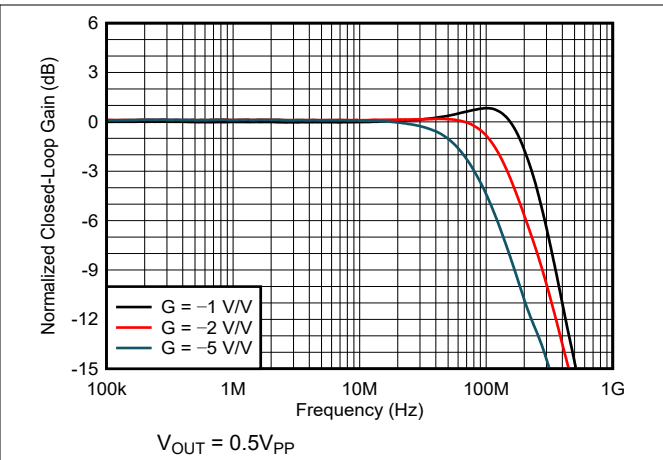


Figure 6-2. Inverting Small-Signal Frequency Response

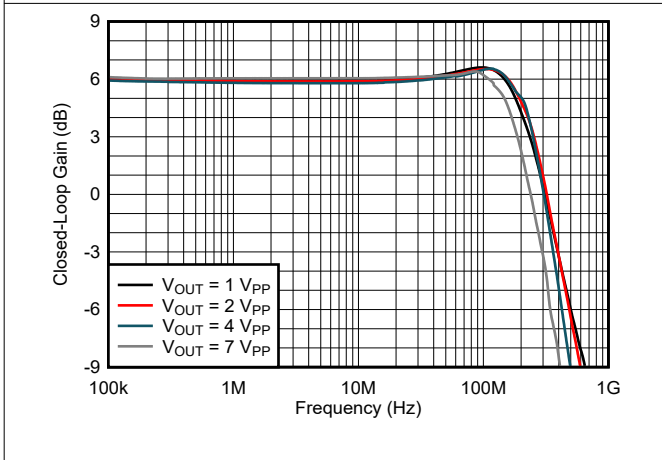


Figure 6-3. Noninverting Large-Signal Frequency Response

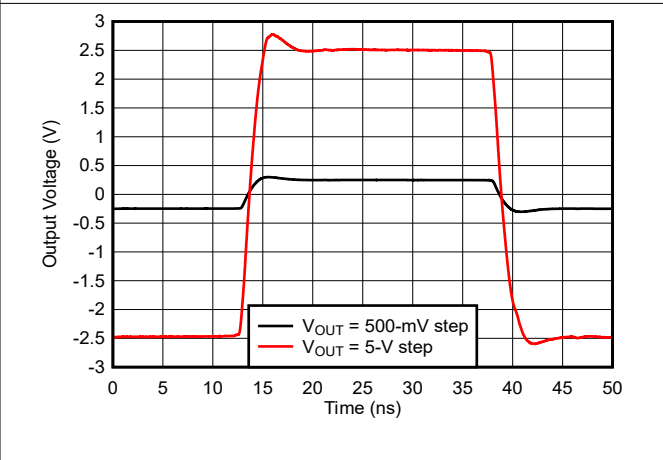


Figure 6-4. Noninverting Pulse Response

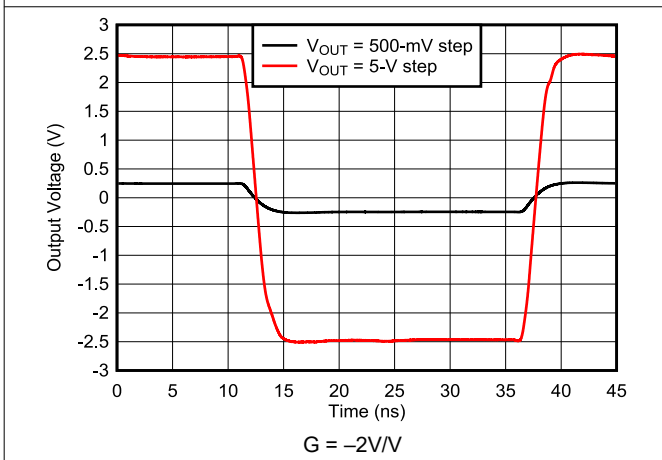


Figure 6-5. Inverting Pulse Response

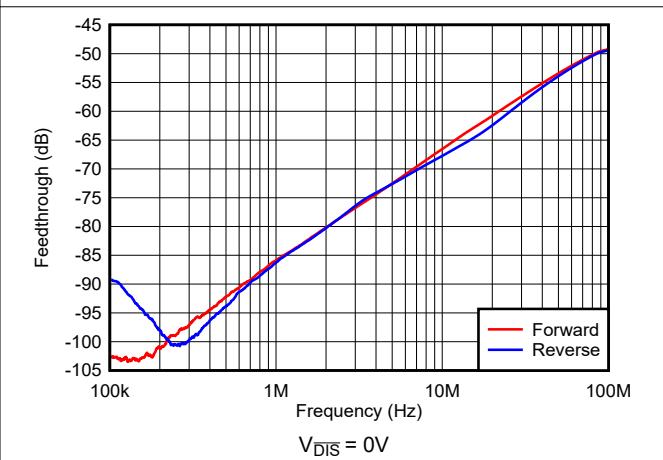
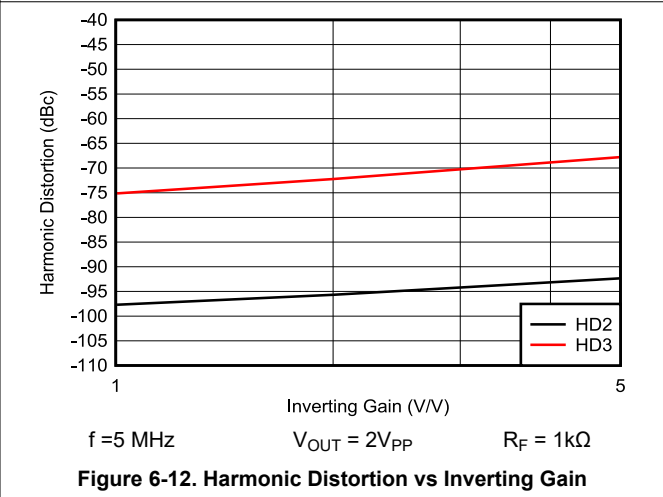
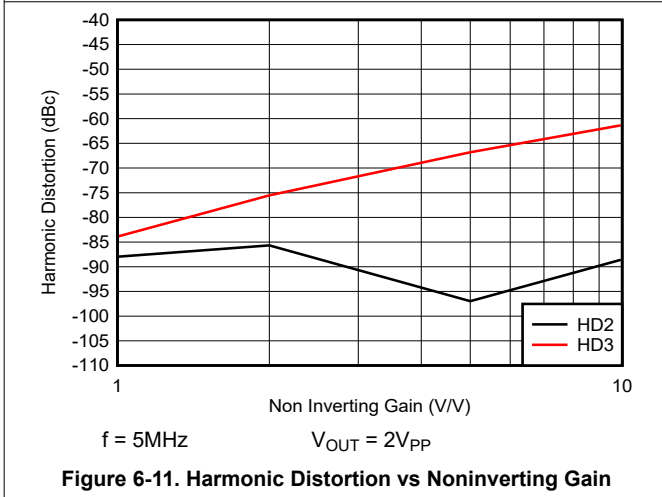
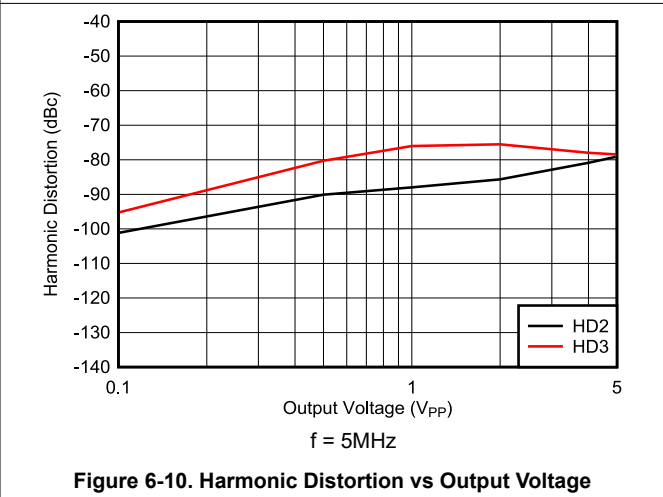
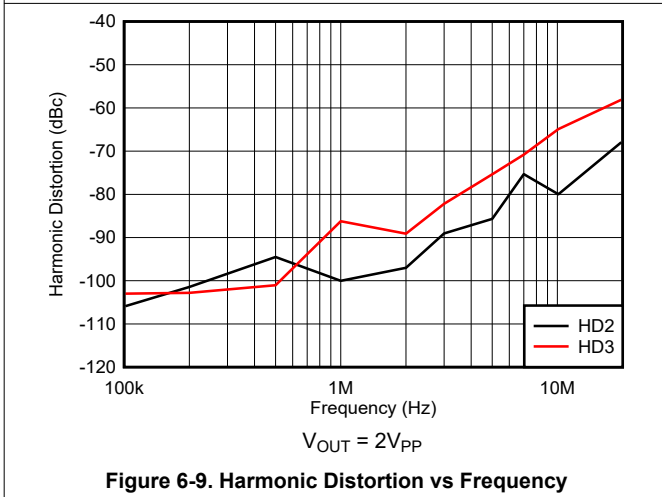
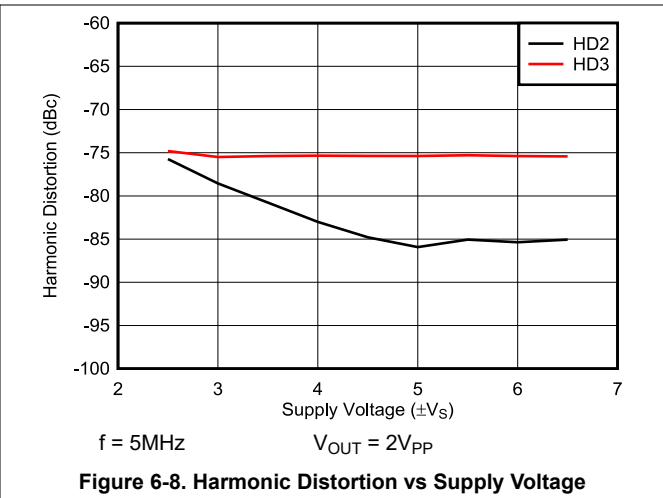
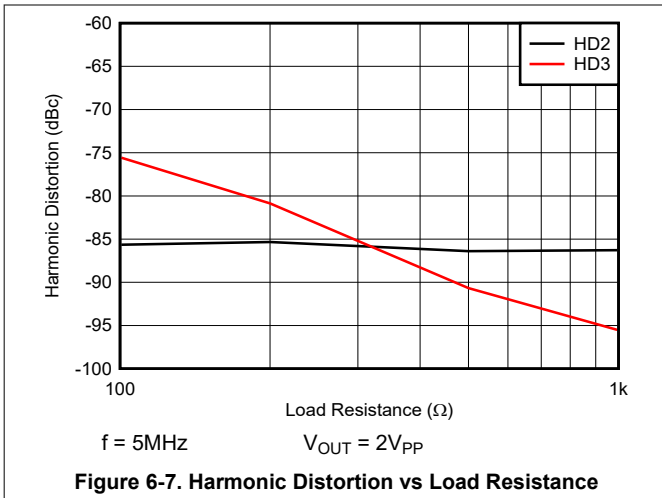


Figure 6-6. Disable Feedthrough vs Frequency

6.9 Typical Characteristics: OPA690IDBV, $V_S = \pm 5V$ (continued)

at $T_A \approx 25^\circ C$, $R_F = 402\Omega$, $R_L = 100\Omega$, $G = 2V/V$, and input and output referenced to midsupply (unless otherwise noted)



6.9 Typical Characteristics: OPA690IDBV, $V_S = \pm 5V$ (continued)

at $T_A \cong 25^\circ C$, $R_F = 402\Omega$, $R_L = 100\Omega$, $G = 2V/V$, and input and output referenced to midsupply (unless otherwise noted)

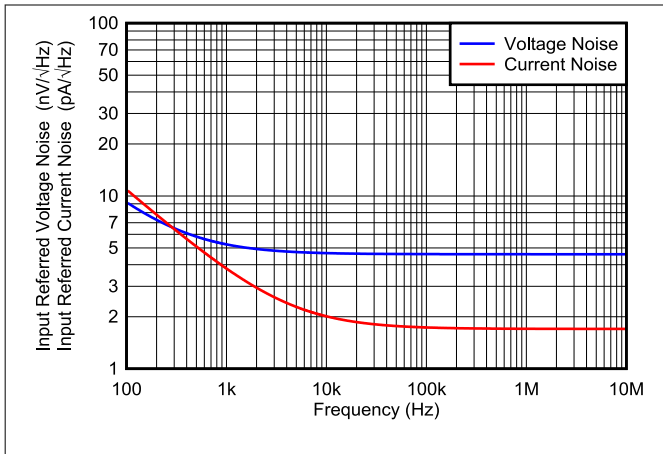


Figure 6-13. Voltage Noise Density vs Frequency

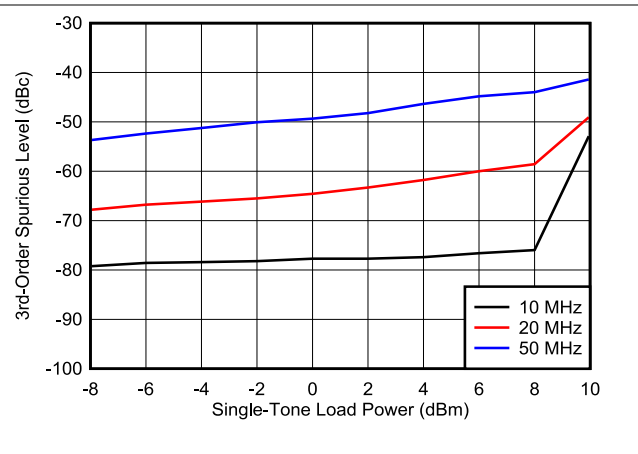


Figure 6-14. Intermodulation Distortion vs Load Power

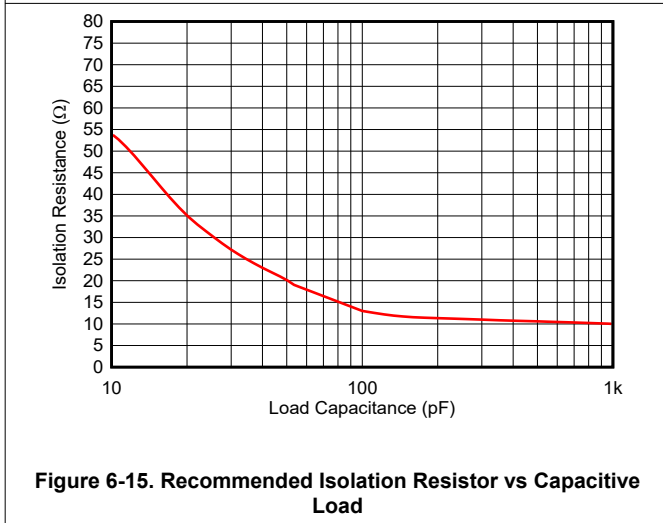


Figure 6-15. Recommended Isolation Resistor vs Capacitive Load

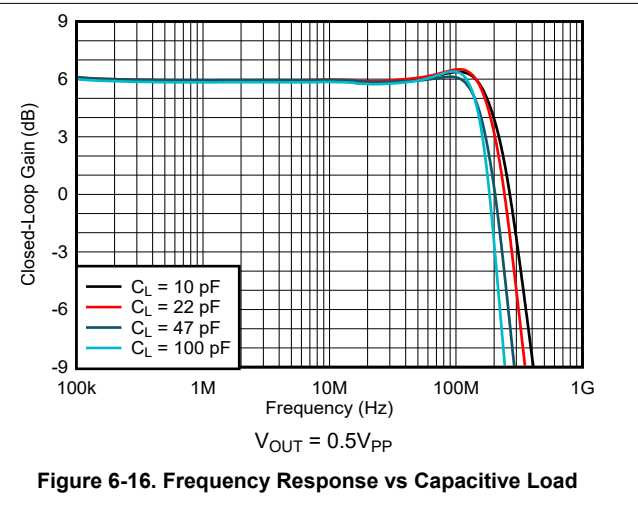


Figure 6-16. Frequency Response vs Capacitive Load

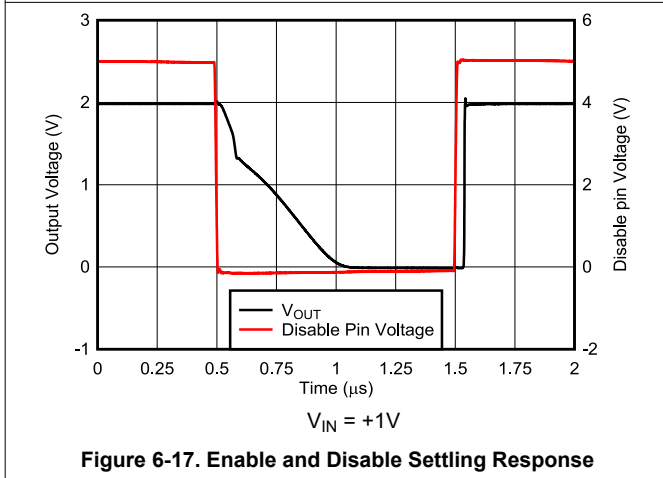


Figure 6-17. Enable and Disable Settling Response

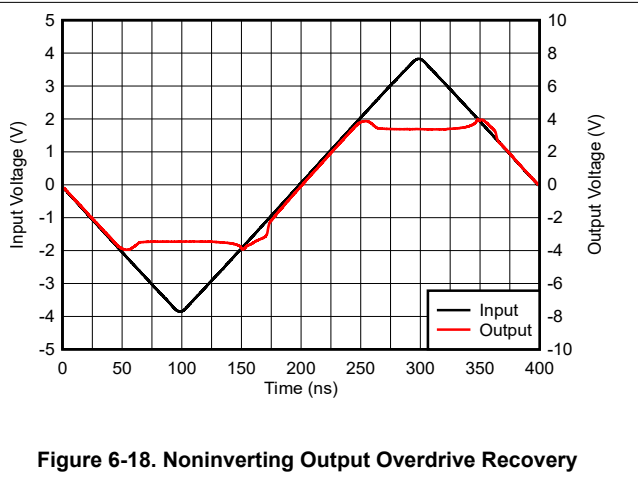


Figure 6-18. Noninverting Output Overdrive Recovery

6.9 Typical Characteristics: OPA690IDBV, $V_S = \pm 5V$ (continued)

at $T_A \approx 25^\circ C$, $R_F = 402\Omega$, $R_L = 100\Omega$, $G = 2V/V$, and input and output referenced to midsupply (unless otherwise noted)

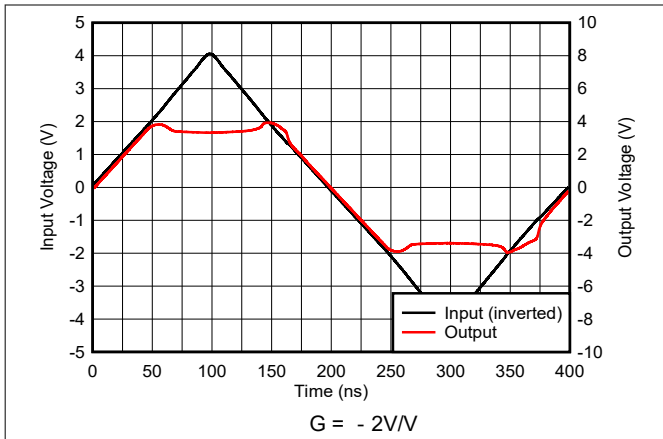


Figure 6-19. Inverting Output Overdrive Recovery

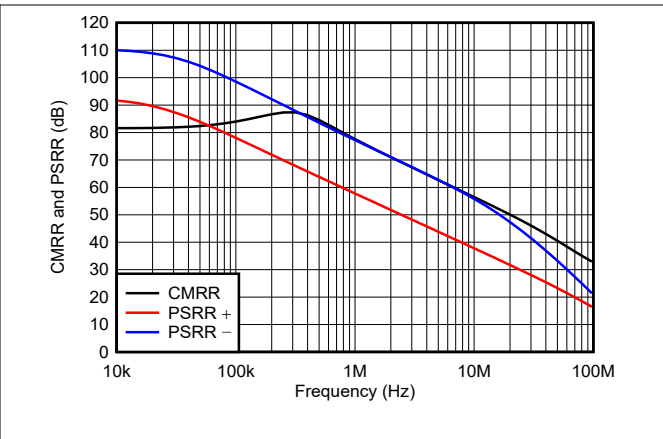


Figure 6-20. Common-Mode and Power-Supply Rejection Ratio vs Frequency

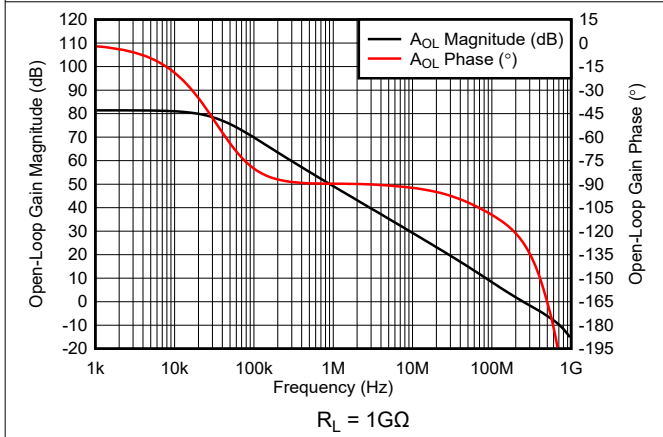


Figure 6-21. Open-Loop Gain Magnitude and Phase vs Frequency

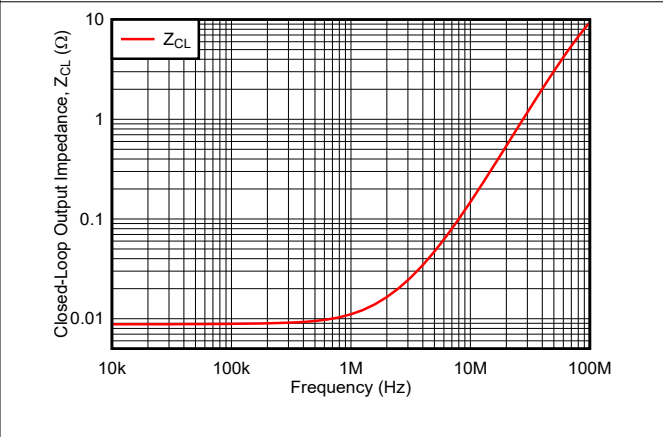


Figure 6-22. Closed-Loop Output Impedance vs Frequency

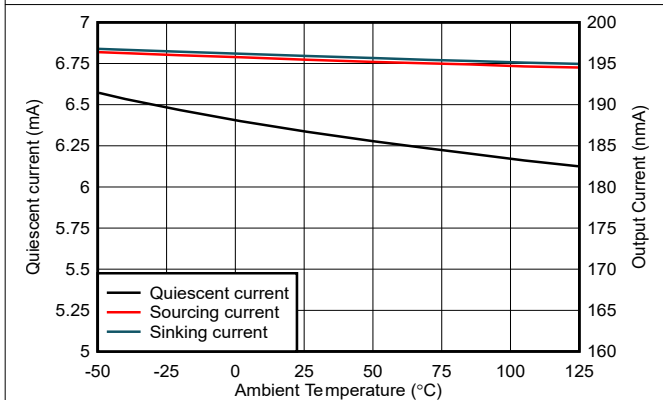


Figure 6-23. Supply and Current Over Temperature

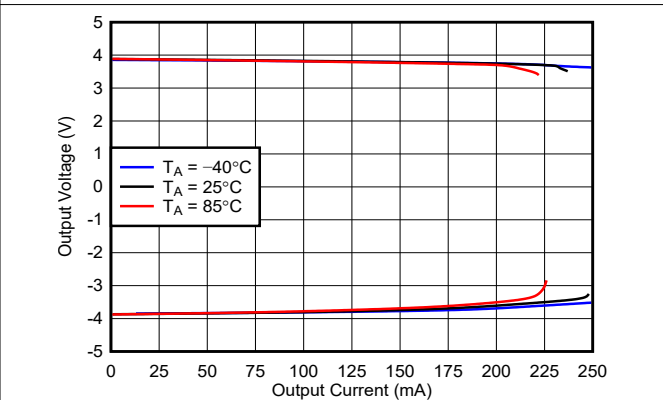
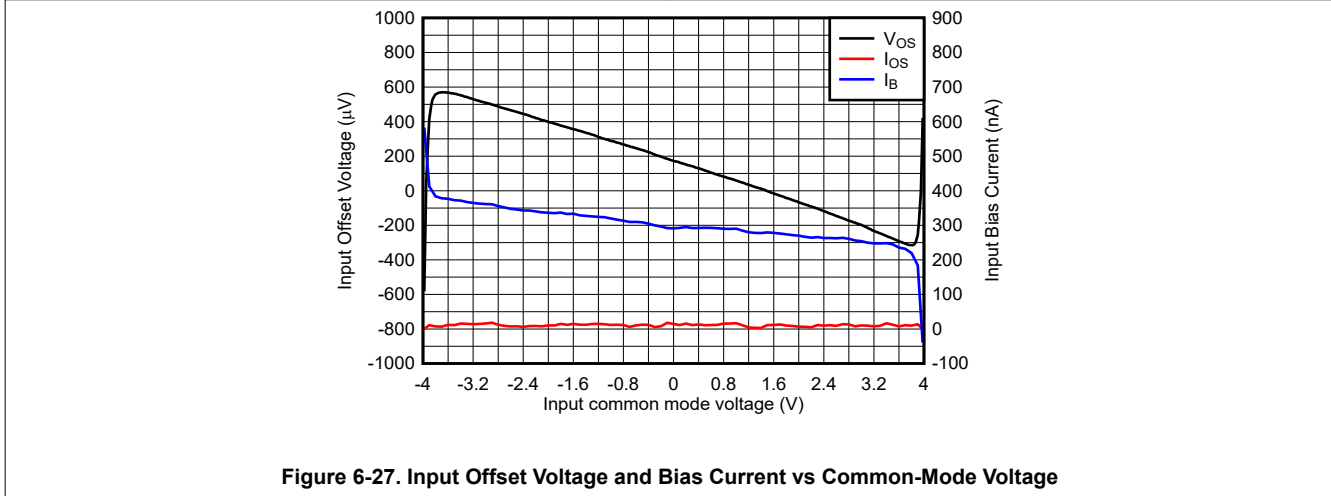
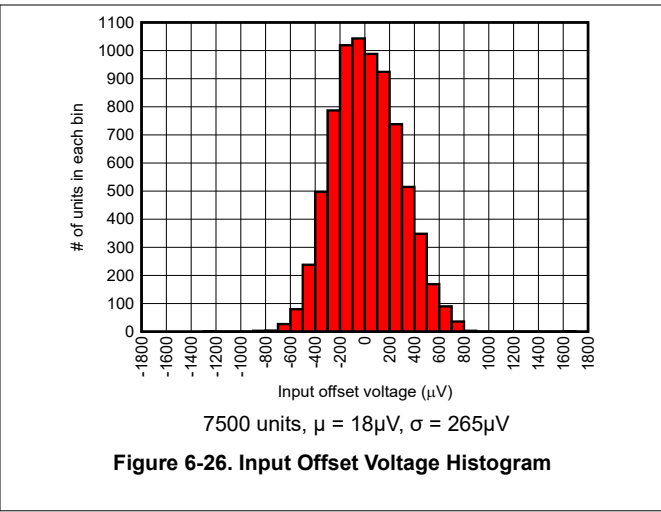
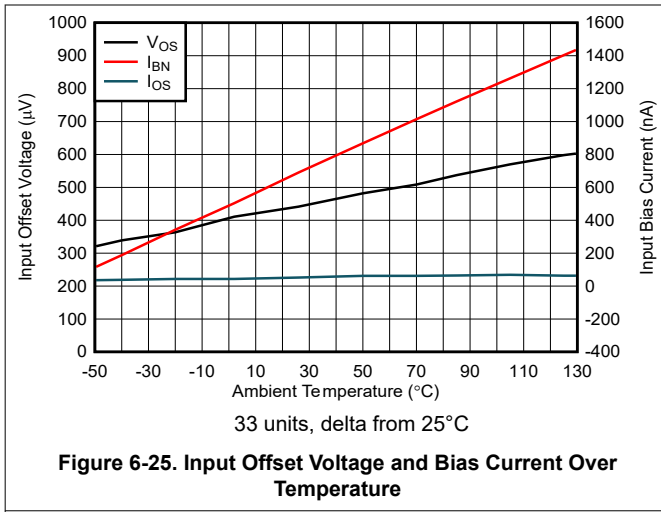


Figure 6-24. Output Voltage vs Output Current Over Temperature

6.9 Typical Characteristics: OPA690IDBV, $V_S = \pm 5V$ (continued)

at $T_A \approx 25^\circ C$, $R_F = 402\Omega$, $R_L = 100\Omega$, $G = 2V/V$, and input and output referenced to midsupply (unless otherwise noted)



6.10 Typical Characteristics: OPA690IDBV, $V_S = 5V$

at $T_A \cong 25^\circ C$, $R_F = 402\Omega$, $R_L = 100\Omega$, $G = 2V/V$, and input and output referenced to midsupply (unless otherwise noted)

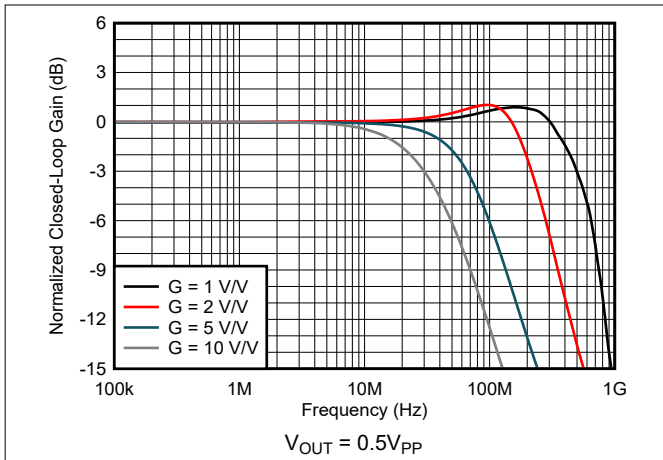


Figure 6-28. Noninverting Small-Signal Frequency Response

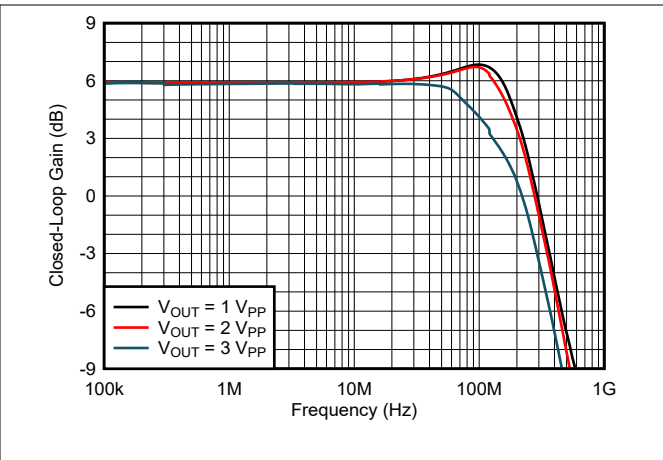


Figure 6-29. Noninverting Large-Signal Frequency Response

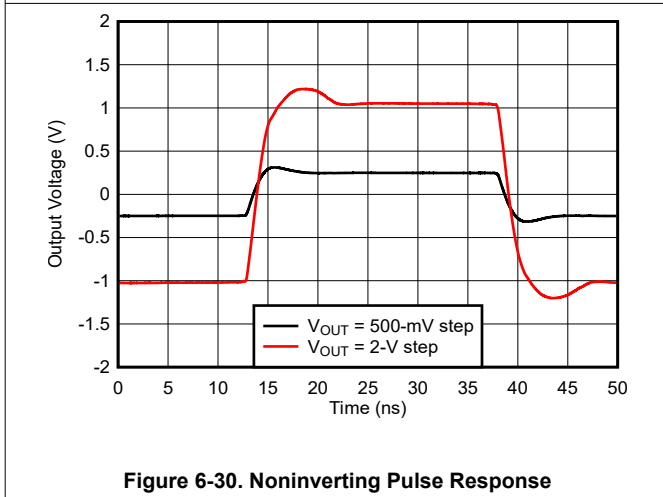


Figure 6-30. Noninverting Pulse Response

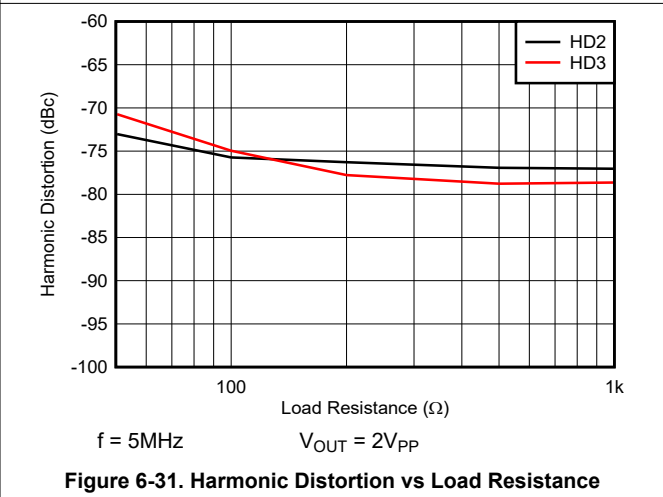


Figure 6-31. Harmonic Distortion vs Load Resistance

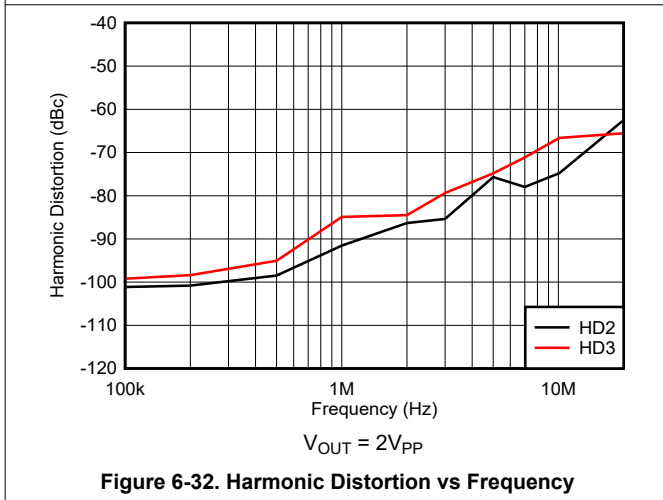


Figure 6-32. Harmonic Distortion vs Frequency

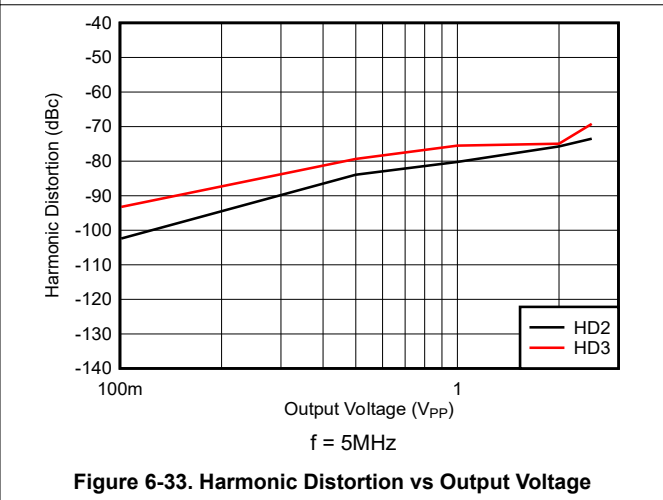


Figure 6-33. Harmonic Distortion vs Output Voltage

6.10 Typical Characteristics: OPA690IDBV, $V_S = 5V$ (continued)

at $T_A \cong 25^\circ C$, $R_F = 402\Omega$, $R_L = 100\Omega$, $G = 2V/V$, and input and output referenced to midsupply (unless otherwise noted)

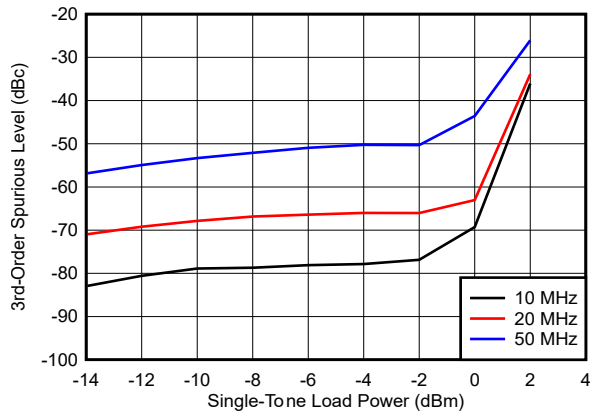


Figure 6-34. Intermodulation Distortion vs Load Power

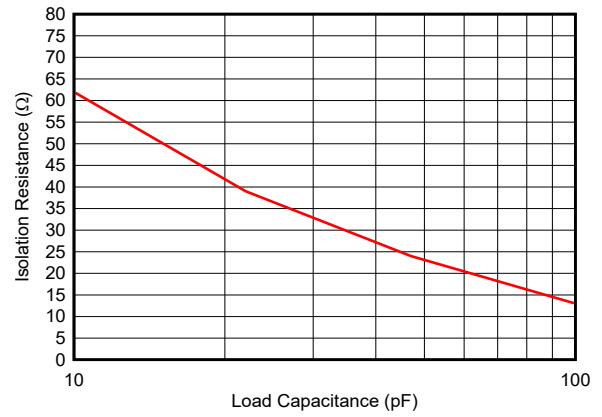


Figure 6-35. Recommended Isolation Resistor vs Capacitive Load

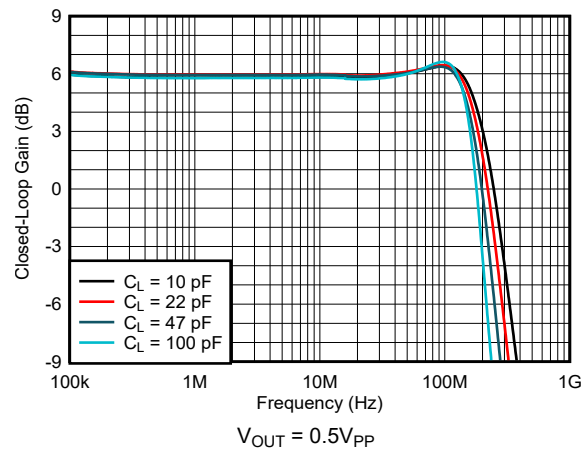


Figure 6-36. Frequency Response vs Capacitive Load

6.11 Typical Characteristics: OPA690ID, $V_S = \pm 5V$

at $T_A = 25^\circ C$, $G = 2$, $R_F = 402\Omega$, and $R_L = 100\Omega$ (unless otherwise noted); see Figure 7-1 for ac performance only

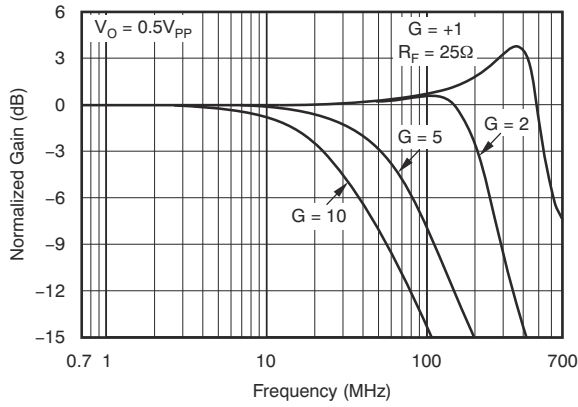


Figure 6-37. Small-Signal Frequency Response

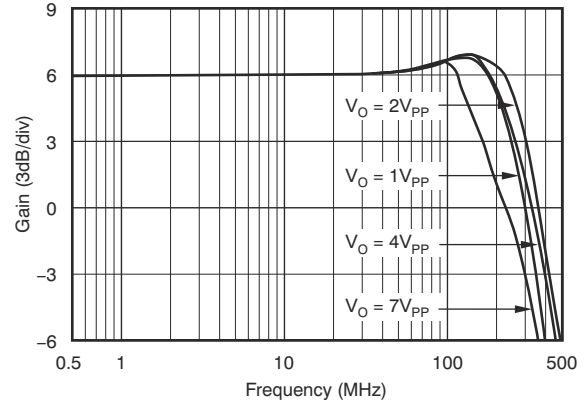


Figure 6-38. Large-Signal Frequency Response

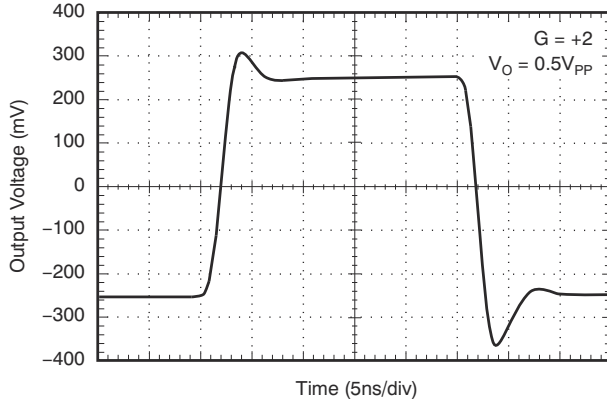


Figure 6-39. Small-Signal Pulse Response

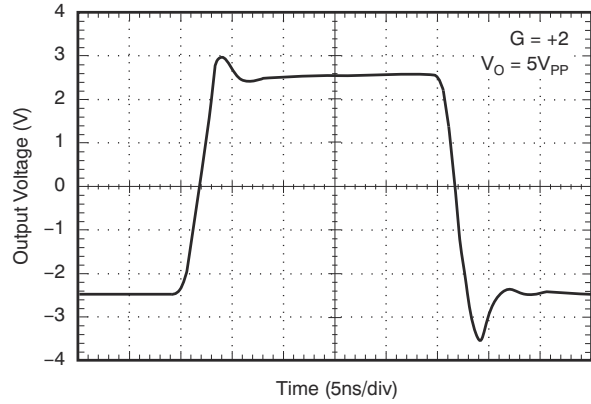


Figure 6-40. Large-Signal Pulse Response

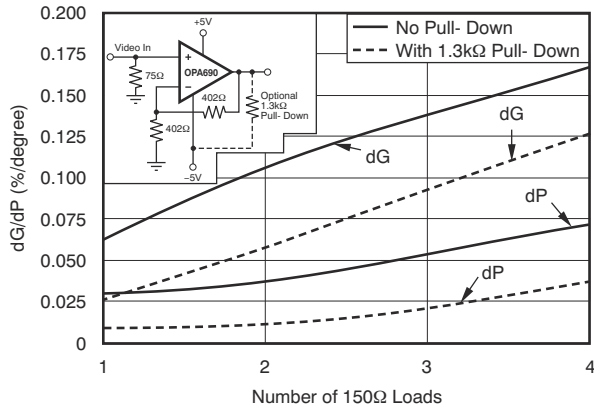


Figure 6-41. Composite Video dG/dP

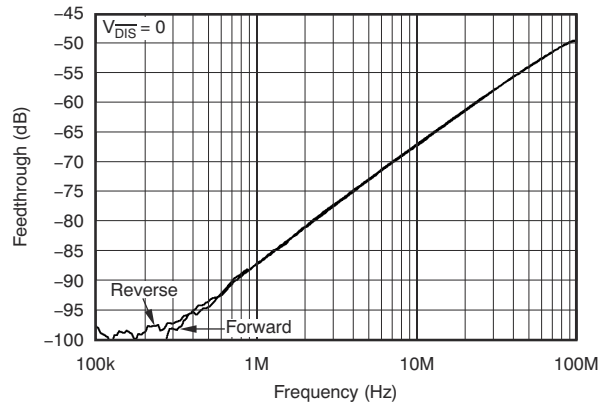


Figure 6-42. Disable Feedthrough vs Frequency

6.11 Typical Characteristics: OPA690ID, $V_S = \pm 5V$ (continued)

at $T_A = 25^\circ C$, $G = 2$, $R_F = 402\Omega$, and $R_L = 100\Omega$ (unless otherwise noted); see Figure 7-1 for ac performance only

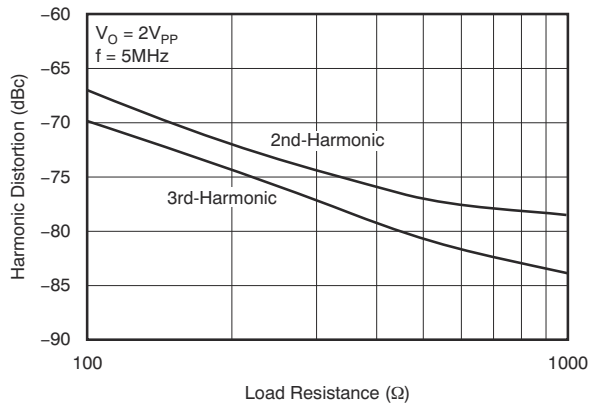


Figure 6-43. Harmonic Distortion vs Load Resistance

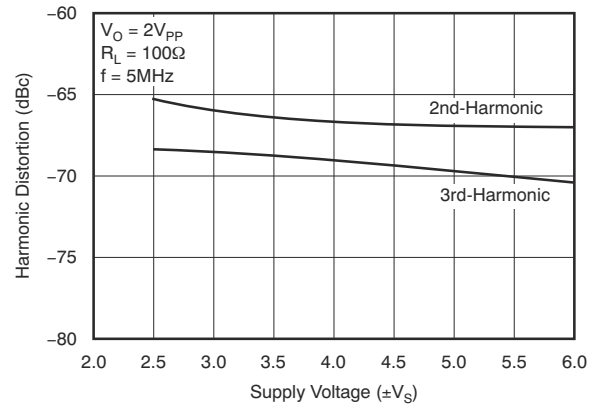


Figure 6-44. 5MHz Harmonic Distortion vs Supply Voltage

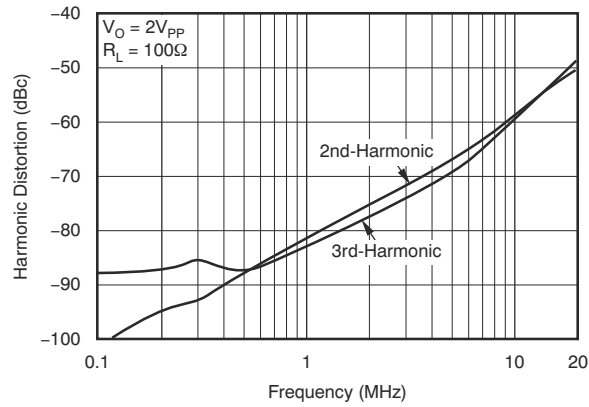


Figure 6-45. Harmonic Distortion vs Frequency

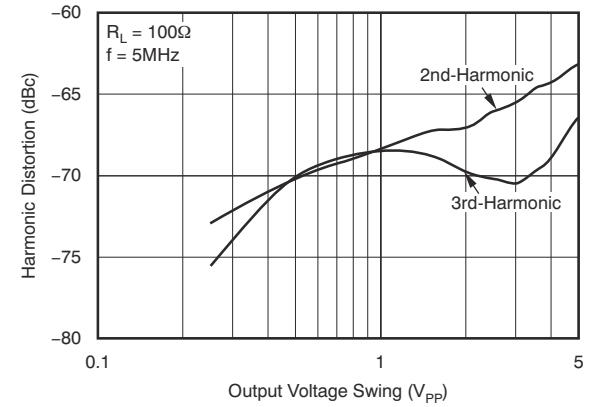


Figure 6-46. Harmonic Distortion vs Output Voltage

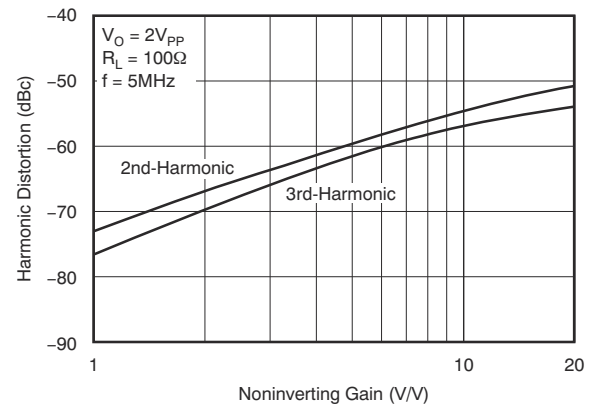


Figure 6-47. Harmonic Distortion vs Noninverting Gain

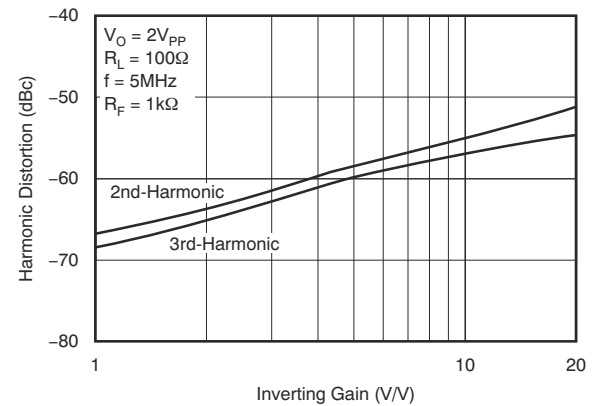


Figure 6-48. Harmonic Distortion vs Inverting Gain

6.11 Typical Characteristics: OPA690ID, $V_S = \pm 5V$ (continued)

at $T_A = 25^\circ C$, $G = 2$, $R_F = 402\Omega$, and $R_L = 100\Omega$ (unless otherwise noted); see Figure 7-1 for ac performance only

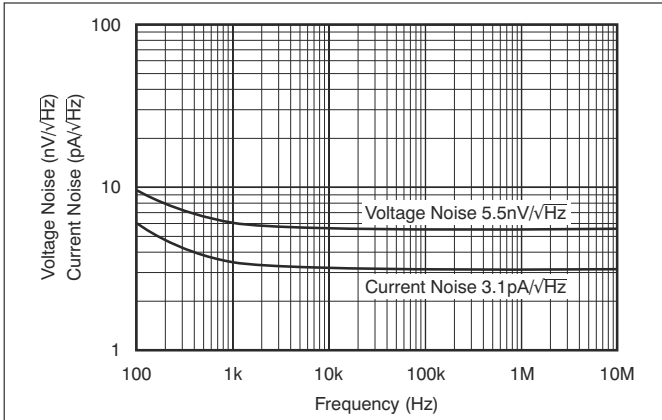


Figure 6-49. Input Voltage and Current Noise Density

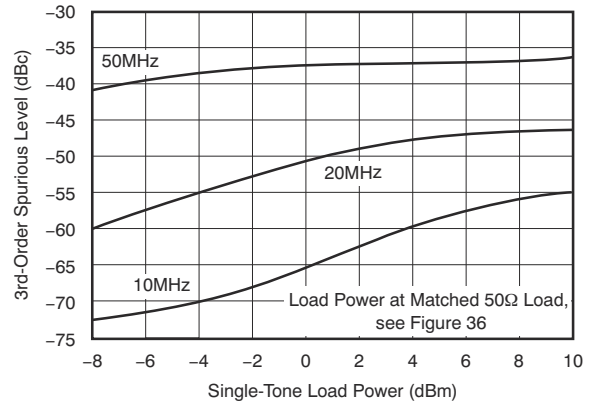


Figure 6-50. Two-Tone, 3rd-Order Intermodulation Spurious

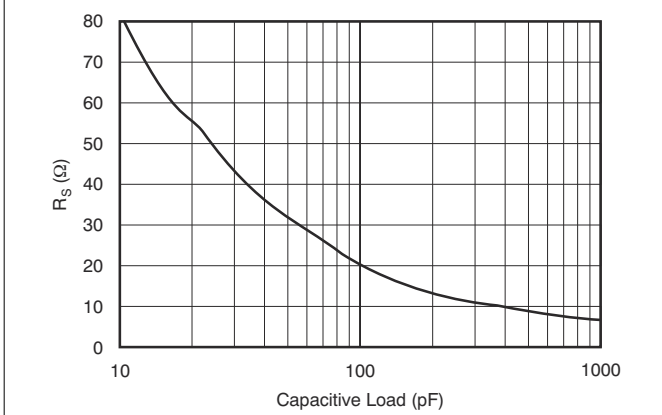


Figure 6-51. Recommended R_S vs Capacitive Load

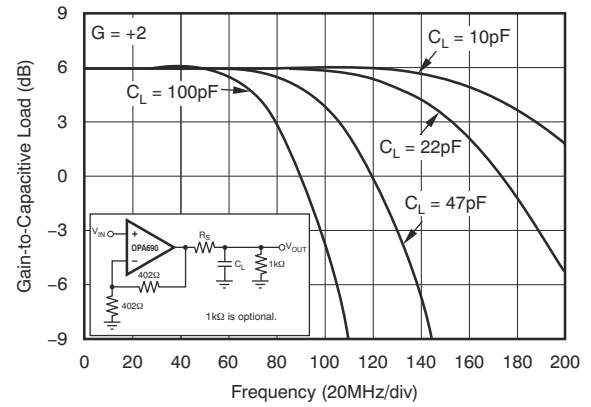


Figure 6-52. Frequency Response vs Capacitive Load

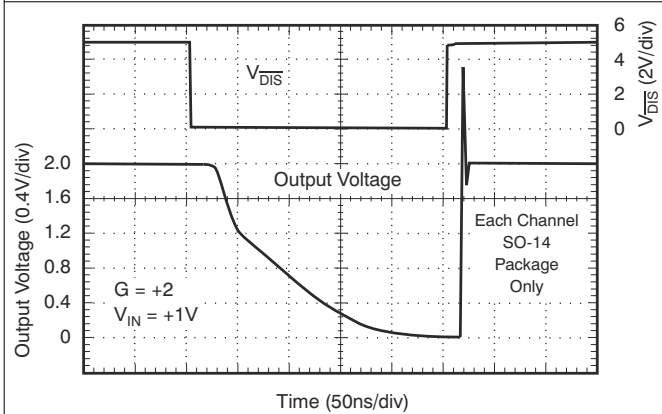


Figure 6-53. Large-Signal Enable or Disable Response

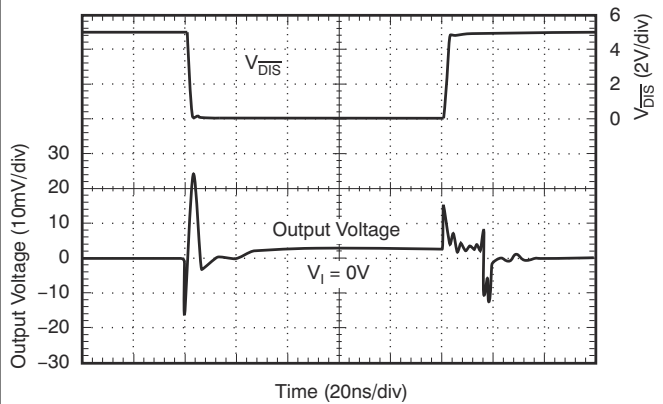


Figure 6-54. Enable or Disable Glitch

6.11 Typical Characteristics: OPA690ID, $V_S = \pm 5V$ (continued)

at $T_A = 25^\circ C$, $G = 2$, $R_F = 402\Omega$, and $R_L = 100\Omega$ (unless otherwise noted); see Figure 7-1 for ac performance only

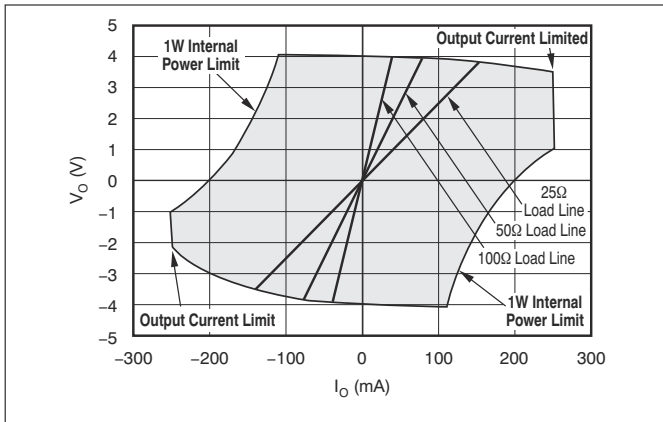


Figure 6-55. Output Voltage and Current Limitations

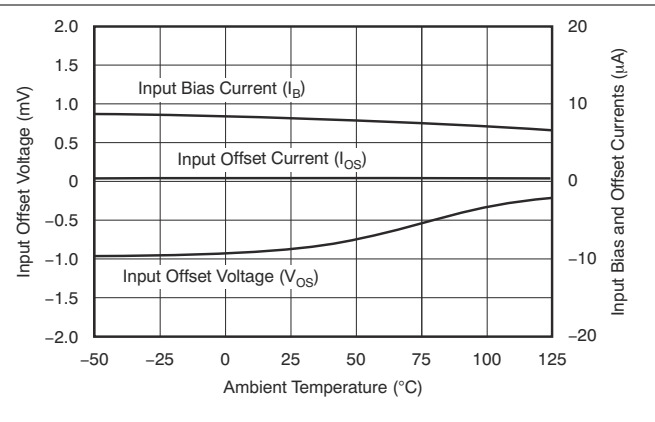


Figure 6-56. Typical DC Drift Over Temperature

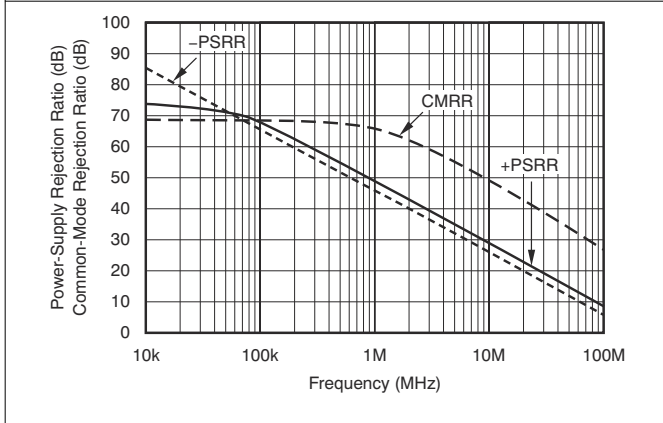


Figure 6-57. Common-Mode Rejection Ratio and Power-Supply Rejection Ratio vs Frequency

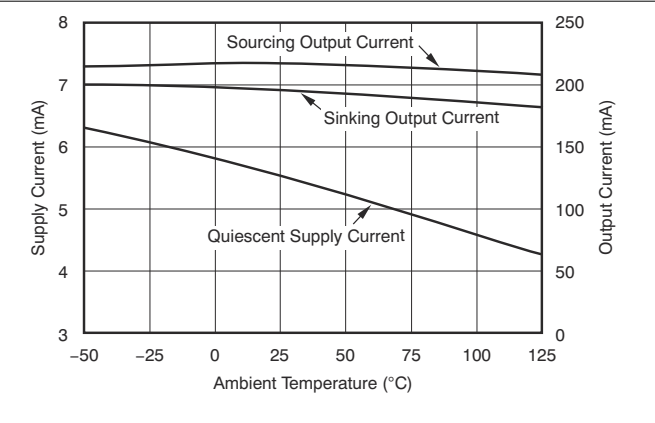


Figure 6-58. Supply and Output Currents vs Temperature

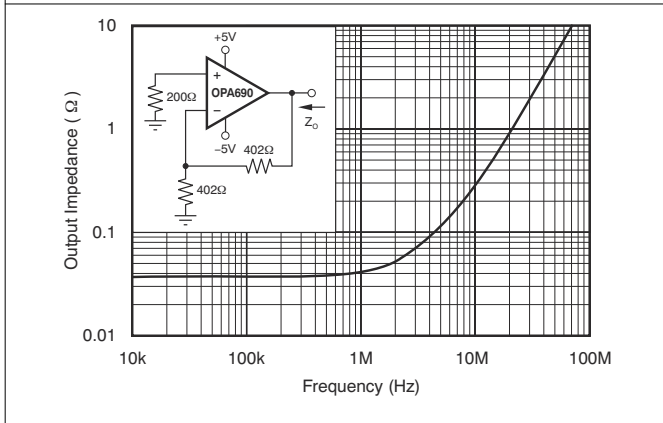


Figure 6-59. Closed-Loop Output Impedance vs Frequency

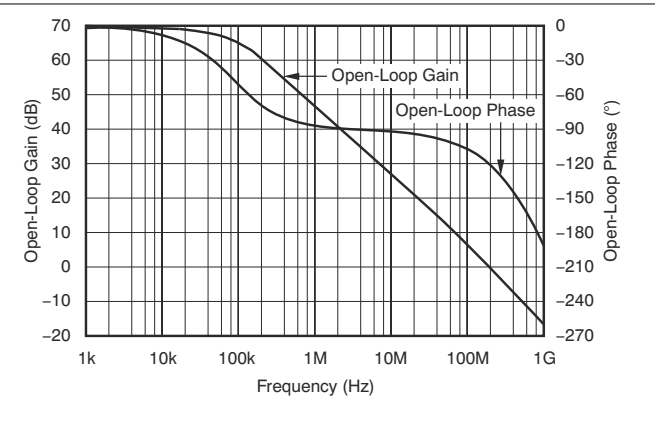


Figure 6-60. Open-Loop Gain and Phase

6.11 Typical Characteristics: OPA690ID, $V_S = \pm 5V$ (continued)

at $T_A = 25^\circ C$, $G = 2$, $R_F = 402\Omega$, and $R_L = 100\Omega$ (unless otherwise noted); see Figure 7-1 for ac performance only

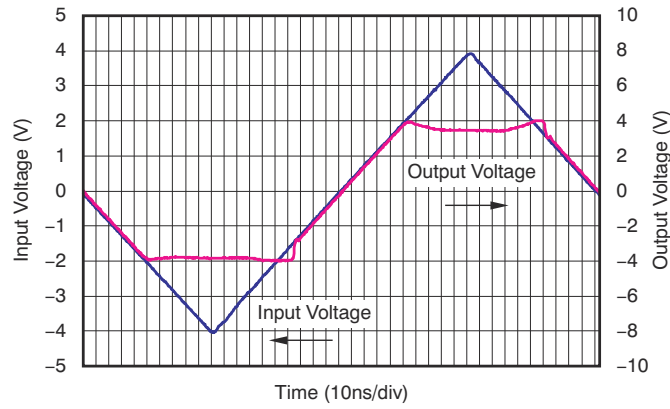


Figure 6-61. Noninverting Overdrive Recovery

6.12 Typical Characteristics: OPA690ID, $V_S = 5V$

at $T_A = 25^\circ C$, $G = 2$, $R_F = 402\Omega$, and $R_L = 100\Omega$ (unless otherwise noted); see Figure 7-2 for ac performance only

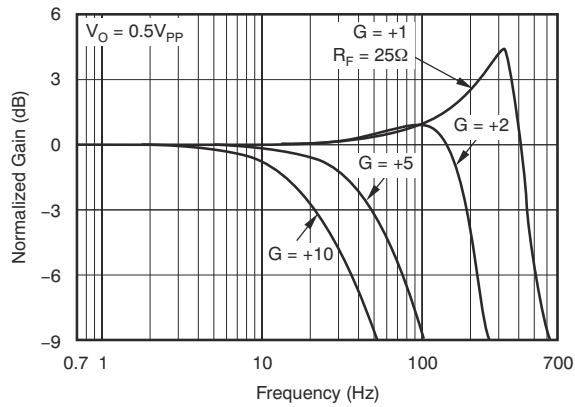


Figure 6-62. Small-Signal Frequency Response

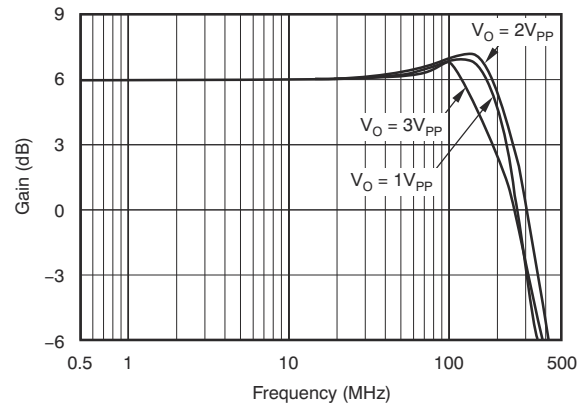


Figure 6-63. Large-Signal Frequency Response

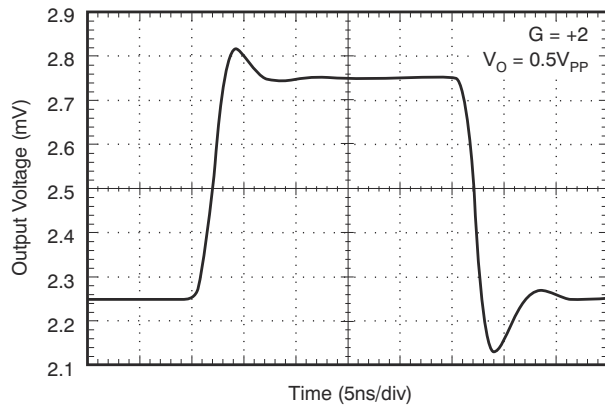


Figure 6-64. Small-Signal Pulse Response

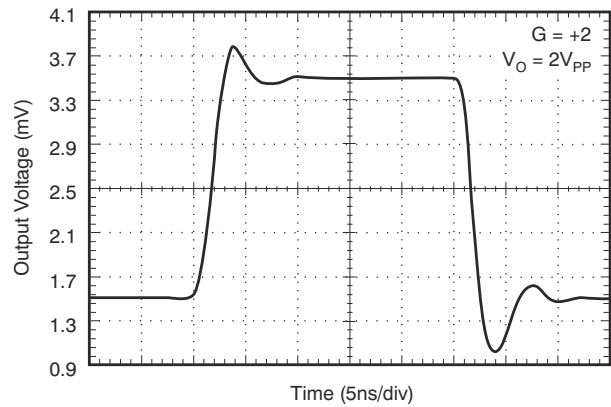


Figure 6-65. Large-Signal Pulse Response

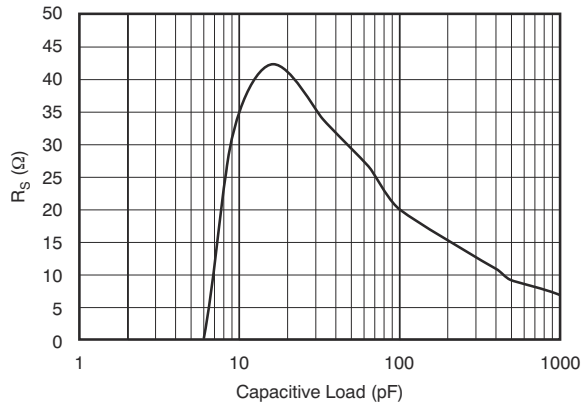


Figure 6-66. Recommended R_S vs Capacitive Load

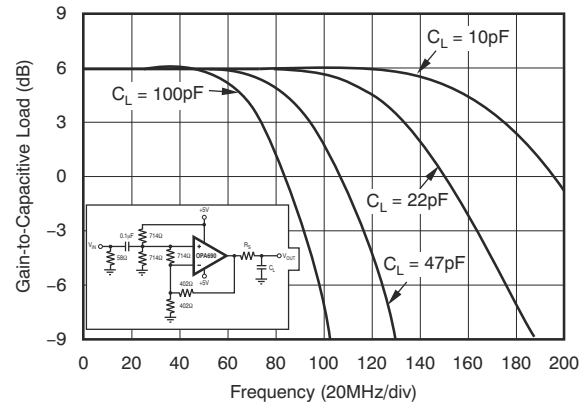


Figure 6-67. Frequency Response vs Capacitive Load

6.12 Typical Characteristics: OPA690ID, $V_S = 5V$ (continued)

at $T_A = 25^\circ C$, $G = 2$, $R_F = 402\Omega$, and $R_L = 100\Omega$ (unless otherwise noted); see Figure 7-2 for ac performance only

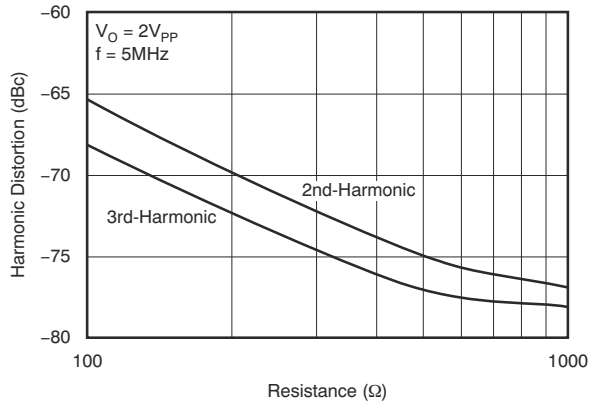


Figure 6-68. Harmonic Distortion vs Load Resistance

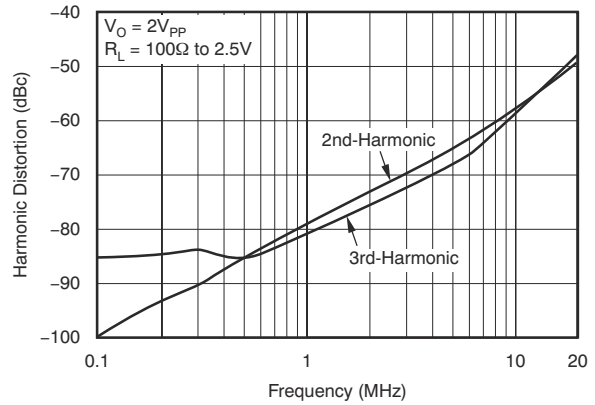


Figure 6-69. Harmonic Distortion vs Frequency

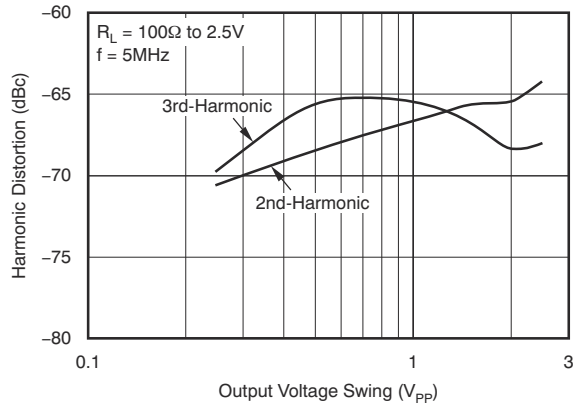


Figure 6-70. Harmonic Distortion vs Output Voltage

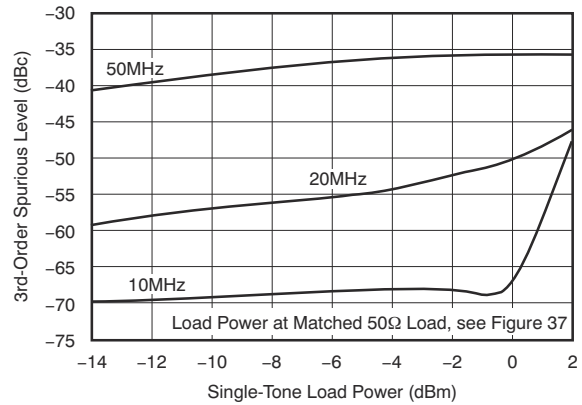


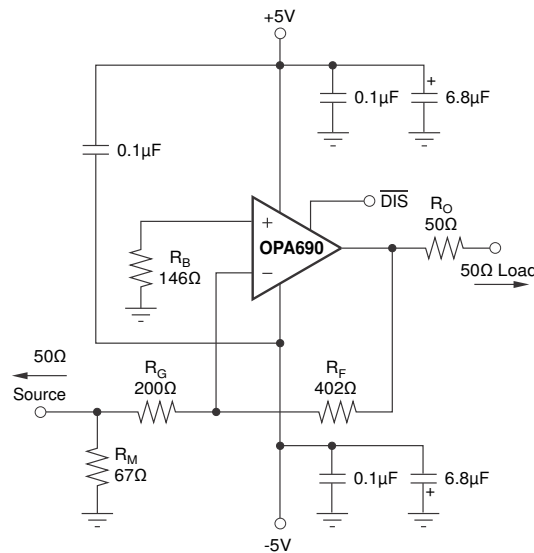
Figure 6-71. Two-Tone, 3rd-Order Intermodulation Spurious

7 Detailed Description

7.1 Overview

The OPA690 provides an exceptional combination of high output power capability with a wideband, unity-gain stable voltage-feedback op amp using a new high slew-rate input stage. The input stage provides a very high slew rate (1900 V/ μ s) while consuming relatively low quiescent current (6.1 mA). This exceptional full-power performance comes at the price of a slightly higher input noise voltage than alternative architectures. The 4.6-nV/ $\sqrt{\text{Hz}}$ input voltage noise for the OPA690 is exceptionally low for this type of input stage.

7.2 Functional Block Diagram



Copyright © 2016, Texas Instruments Incorporated

7.3 Feature Description

7.3.1 Wideband Voltage-Feedback Operation

Typical differential input stages used for voltage-feedback op amps are designed to steer a fixed-bias current to the compensation capacitor, setting a limit to the achievable slew rate. The OPA690 uses a new input stage that places the transconductance element between two input buffers, using the output currents as the forward signal.

Figure 7-1 shows the dc-coupled, gain of 2 V/V, dual power-supply circuit configuration used as the basis of the Section 6.11. For test purposes, the input impedance is set to 50 Ω with a resistor to ground and the output impedance is set to 50 Ω with a series output resistor. Voltage swings reported in the specifications are taken directly at the input and output pins, while output powers (dBm) are at the matched 50- Ω load. For the circuit of Figure 7-1, the total effective load is 100 Ω || 804 Ω . The disable control line is typically left open to maintain normal amplifier operation. An additional resistor (175 Ω) is included in series with the noninverting input. Combined with the 25- Ω DC source resistance looking back towards the signal generator, this gives an input bias current canceling resistance that matches the 200- Ω source resistance seen at the inverting input (see Section 8.1.8). In addition to the usual power-supply decoupling capacitors to ground, a 0.1- μ F capacitor is included between the two power-supply pins. In practical printed-circuit board (PCB) layouts, this optional-added capacitor typically improves the 2nd-harmonic distortion performance.

Figure 7-2 shows the AC-coupled, gain of 2, single-supply circuit configuration which is the basis of the 5 V and Section 6.12. Although not a rail-to-rail design, the OPA690 requires minimal input and output voltage headroom compared to other very wideband voltage-feedback op amps. The device delivers a 3- V_{PP} output swing on a single 5-V supply with > 120-MHz bandwidth. The key requirement of broadband single-supply operation is to maintain input and output signal swings within the useable voltage ranges at both the input and the output. The circuit of Figure 7-2 establishes an input midpoint bias using a simple resistive divider from the 5-V supply (two 698- Ω resistors). The input signal is then ac-coupled into the midpoint voltage bias. The input voltage can swing

to within 1.5 V of either supply pin, giving a $2\text{-}V_{PP}$ input signal range centered between the supply pins. The input impedance matching resistor ($59\ \Omega$) used for testing is adjusted to give a $50\text{-}\Omega$ input load when the parallel combination of the biasing divider network is included.

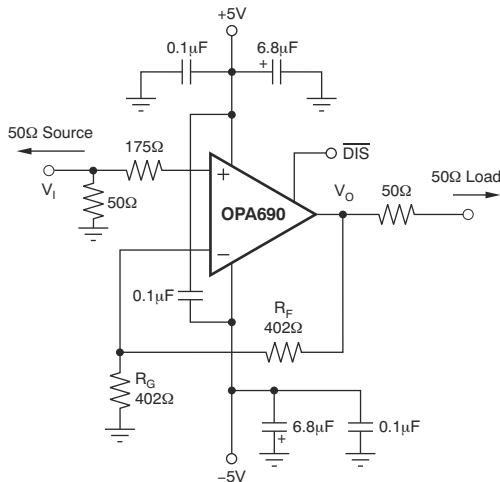


Figure 7-1. DC-Coupled, $G = 2\text{ V/V}$, Bipolar-Supply Specification and Test Circuit

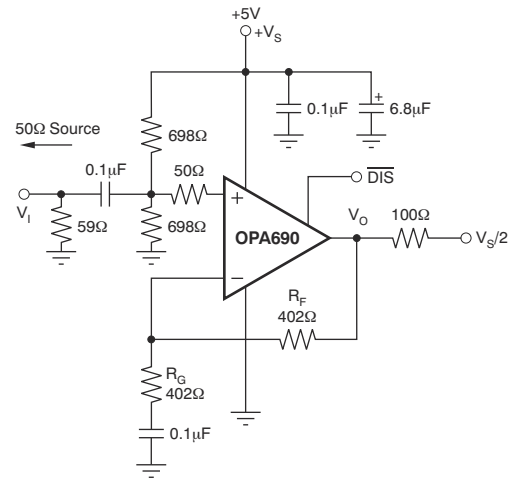


Figure 7-2. AC-Coupled, $G = 2\text{ V/V}$, Single-Supply Specification and Test Circuit

Again, an additional resistor ($50\ \Omega$ in this case) is included directly in series with the noninverting input. This minimum recommended value provides part of the dc source resistance matching for the noninverting input bias current. The additional resistor is also used to form a simple parasitic pole to roll off the frequency response at very high frequencies ($> 500\text{ MHz}$) using the input parasitic capacitance to form a band-limiting pole. The gain resistor (R_G) is ac-coupled, giving the circuit a dc gain of 1, which puts the input dc bias voltage (2.5 V) at the output as well. The output voltage can swing to within 1 V of either supply pin while delivering $> 100\text{-mA}$ output current. A demanding $100\text{-}\Omega$ load to a midpoint bias is used in this characterization circuit. The new output stage circuit used in the OPA690 can deliver large output currents into this midpoint load with minimal crossover distortion.

7.3.2 Input and ESD Protection

The OPA690 is built using a very high-speed complementary bipolar process. The internal junction breakdown voltages are relatively low for these very small geometry devices. These breakdowns are reflected in [Section 6.1](#). All device pins are protected with internal ESD protection diodes to the power supplies. [Figure 7-3](#) shows the internal ESD protection.

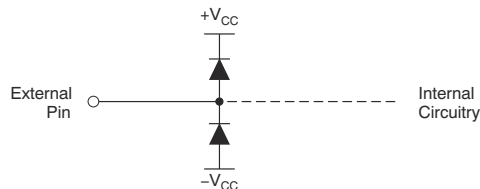


Figure 7-3. Internal ESD Protection

These diodes also provide moderate protection to input overdrive voltages greater than the supplies. The protection diodes can typically support 10 mA of continuous current. Where higher currents are possible (for example, in systems with $\pm 15\text{-V}$ supply parts driving into the OPA690), add current-limiting series resistors into the two inputs. Keep these resistor values as low as possible, because high values degrade both noise performance and frequency response.

7.4 Device Functional Modes

7.4.1 Disable Operation

The OPA690 provides an optional disable feature that can be used either to reduce system power or to implement a simple channel multiplexing operation. If the $\overline{\text{DIS}}$ control pin is unconnected, the OPA690 operates normally. To disable, assert the control pin low. Figure 7-4 shows a simplified internal circuit for the disable control feature.

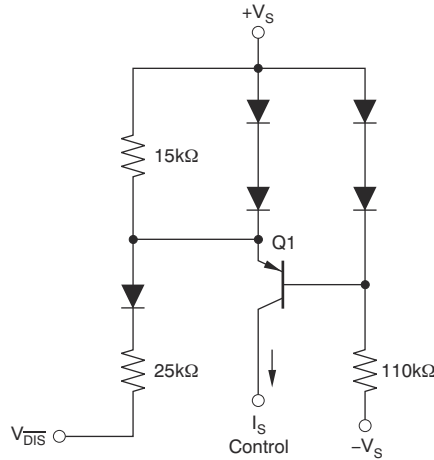


Figure 7-4. Simplified Disable Control Circuit

The supply current in the disable mode are only those required to operate the circuit of Figure 7-4. Additional circuitry enables a faster turn-on time than turn-off time (make-before-break).

When disabled, the output and input nodes go to a high-impedance state. If the OPA690 is operating at a gain of 1, the device shows a very high impedance at the output and exceptional signal isolation. If operating at a gain greater than 1, the total feedback network resistance ($R_F + R_G$) appears as the impedance looking back into the output, but the circuit still shows very high forward and reverse isolation. If configured as an inverting amplifier, the input and output is connected through the feedback network resistance ($R_F + R_G$) and the isolation is very poor as a result.

8 Application and Implementation

Note

Information in the following applications sections is not part of the TI component specification, and TI does not warrant its accuracy or completeness. TI's customers are responsible for determining suitability of components for their purposes, as well as validating and testing their design implementation to confirm system functionality.

8.1 Application Information

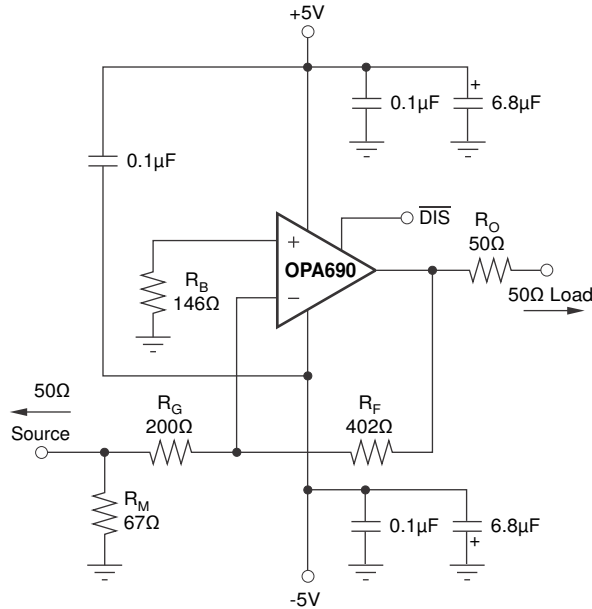
8.1.1 Bandwidth Versus Gain: Noninverting Operation

Voltage-feedback op amps exhibit decreasing closed-loop bandwidth as the signal gain is increased. In theory, this relationship is described by the gain bandwidth product (GBP) shown in [Section 6.5](#) and [Section 6.7](#). Ideally, dividing GBP by the noninverting signal gain (also called the noise gain, or NG) predicts the closed-loop bandwidth. In practice, this relationship only holds true when the phase margin approaches 90°, as in high-gain configurations. At low gains (increased feedback factors), most amplifiers exhibit a more complex response with lower phase margin. The OPA690 is compensated to give a slightly peaked response in a noninverting gain of 2 V/V (see [Figure 7-1](#)). This compensation results in a typical gain of 2 bandwidth of 220 MHz, far exceeding that predicted by dividing the 300 MHz GBP by 2. Increasing the gain causes the phase margin to approach 90° and the bandwidth to more closely approach the predicted value of (GBP/NG). At a gain of 10, the 30-MHz bandwidth shown in the $\pm 5\text{-V}$ *Electrical Characteristics* agrees with that predicted using the simple formula and the typical GBP of 300 MHz.

The frequency response in a gain of 2 V/V can be modified to achieve exceptional flatness by simply increasing the noise gain to 2.5. One method, without affecting the two signal gain, is to add an 804- Ω resistor across the two inputs in the circuit of [Figure 7-1](#). A similar technique can be used to reduce peaking in unity-gain (voltage-follower) applications. For example, by using a 402- Ω feedback resistor along with a 402- Ω resistor across the two op amp inputs, the voltage follower response is similar to the gain of 2 response of [Figure 7-2](#). Reduce the value of the resistor across the op amp inputs to further limit the frequency response due to increased noise gain.

8.1.2 Inverting Amplifier Operation

The OPA690 is a general-purpose, wideband voltage-feedback op amp; therefore, all of the familiar op amp application circuits are available to the designer. Inverting operation is one of the more common requirements and offers several performance benefits. [Figure 8-1](#) shows a typical inverting configuration where the I/O impedances and signal gain from [Figure 7-1](#) are retained in an inverting circuit configuration.



Copyright © 2016, Texas Instruments Incorporated

Figure 8-1. Gain of -2 V/V Example Circuit

In the inverting configuration, be aware of three key design considerations. The first consideration is that the gain resistor (R_G) becomes part of the signal channel input impedance. If input impedance matching is desired (which is beneficial whenever the signal is coupled through a cable, twisted-pair, long PCB trace, or other transmission line conductor), R_G can be set equal to the required termination value and R_F adjusted to give the desired gain. This configuration is the simplest approach and results in optimized bandwidth and noise performance. However, at low inverting gains, the resultant feedback resistor value can present a significant load to the amplifier output. For an inverting gain of 2 V/V, setting R_G to 50 Ω for input matching eliminates the requirement for R_M but requires a 100- Ω feedback resistor. This configuration has an interesting advantage: the noise gain becomes equal to 2 for a 50- Ω source impedance—the same as the noninverting circuits considered in the previous section. The amplifier output, however, now sees the 100- Ω feedback resistor in parallel with the external load. In general, limit the feedback resistor to the 200- Ω to 1.5-k Ω range. In this case, increase both the R_F and R_G values, as shown in Figure 8-1, and then achieve the input matching impedance with a third resistor (R_M) to ground. The total input impedance becomes the parallel combination of R_G and R_M .

The second major consideration, touched on in the previous paragraph, is that the signal source impedance becomes part of the noise gain equation and influences the bandwidth. For the example in Figure 8-1, the R_M value combines in parallel with the external 50- Ω source impedance, yielding an effective driving impedance of $50 \Omega \parallel 67 \Omega = 28.6 \Omega$. This impedance is added in series with R_G for calculating the noise gain (NG). The resultant NG is 2.8 for Figure 8-1, as opposed to only 2 if R_M can be eliminated as discussed previously. Therefore, the bandwidth is slightly less for the circuit of Figure 8-1 than for the gain of 2 circuit of Figure 7-1.

The third important consideration in inverting amplifier design is setting the bias current cancellation resistor on the noninverting input (R_B). If this resistor is set equal to the total dc resistance looking out of the inverting node, the output dc error, due to the input bias currents, is reduced to (Input Offset Current) \times R_F . If the 50- Ω source impedance is dc-coupled in Figure 8-1, the total resistance to ground on the inverting input is 228 Ω . Combining this in parallel with the feedback resistor gives the $R_B = 146 \Omega$ used in this example. To reduce the additional high-frequency noise introduced by this resistor, the resistor is sometimes bypassed with a capacitor. As long as $R_B < 350 \Omega$, the capacitor is not required because the total noise contribution of all other terms is less than that of the op-amp input noise voltage. As a minimum, the OPA690 requires an R_B value of 50 Ω to damp out parasitic-induced peaking that is a direct short to ground on the noninverting input, and runs the risk of a very high-frequency instability in the input stage.

8.1.3 Optimizing Resistor Values

Because the OPA690 is a unity-gain stable, voltage-feedback op amp, a wide range of resistor values can be used for the feedback and gain-setting resistors. The primary limits on these values are set by dynamic range (noise and distortion) and parasitic capacitance considerations. For a noninverting unity-gain follower application, make the feedback connection with a 25- Ω resistor, not a direct short. This connection isolates the inverting input capacitance from the output pin and improves the frequency response flatness. Usually, for $G > 1$ V/V applications, the feedback-resistor value must be between 200 Ω and 1.5 k Ω . For values less than 200 Ω , the feedback network presents additional output loading that can degrade the harmonic distortion performance of the OPA690.

A good practice is to target the parallel combination of R_F and R_G (see [Figure 7-1](#)) to be less than approximately 300 Ω . The combined impedance $R_F \parallel R_G$ interacts with the inverting input capacitance, placing an additional pole in the feedback network, and thus, a zero in the forward response. Assuming a 2-pF total parasitic on the inverting node, holding $R_F \parallel R_G < 300 \Omega$ keeps this pole greater than 250 MHz. Alone, this constraint implies that the feedback resistor R_F can increase to several k Ω at high gains. This result is acceptable as long as the pole formed by R_F and any parasitic capacitance appearing in parallel is kept out of the frequency range of interest.

8.1.4 Output Current and Voltage

The OPA690 provides output voltage and current capabilities that are unsurpassed in a low-cost monolithic op amp. Under no-load conditions at 25°C, the output voltage typically swings closer than 1 V to either supply rail. Into a 15- Ω load (the minimum tested load), the device delivers more than ± 160 mA.

The specifications described previously, though familiar in the industry, consider voltage and current limits separately. In many applications, the voltage \times current, or V-I product is more relevant to circuit operation. See also [Figure 6-55](#), the output voltage and current limitations plot in [Section 6.11](#). The X- and Y-axes of this graph show the zero-voltage output current limit and the zero-current output voltage limit, respectively. The four quadrants give a more detailed view of the OPA690 output drive capabilities, noting that the graph is bounded by a safe operating area of 1-W maximum internal power dissipation. Superimposing resistor load lines onto the plot shows that the OPA690 can drive ± 2.5 V into 25 Ω or ± 3.5 V into 50 Ω without exceeding the output capabilities or the 1-W dissipation limit. A 100- Ω load line (the standard test circuit load) shows the full ± 3.9 -V output swing capability; see also [Section 6.11](#).

The minimum specified output voltage and current specifications over temperature are set by worst-case simulations at the cold temperature extreme. Only at cold start-up do the output current and voltage decrease to the numbers shown in [Section 6.5](#) and [Section 6.7](#). As the output transistors deliver power, the junction temperatures increase, decreasing the V_{BEs} (increasing the available output voltage swing) and increasing the current gains (increasing the available output current). In steady-state operation, the available output voltage and current is always greater than that shown in the overtemperature specifications because the output stage junction temperatures is greater than the minimum specified operating ambient.

To protect the output stage from accidental shorts to ground and the power supplies, output short-circuit protection is included in the OPA690. The circuit acts to limit the maximum source or sink current to approximately 250 mA.

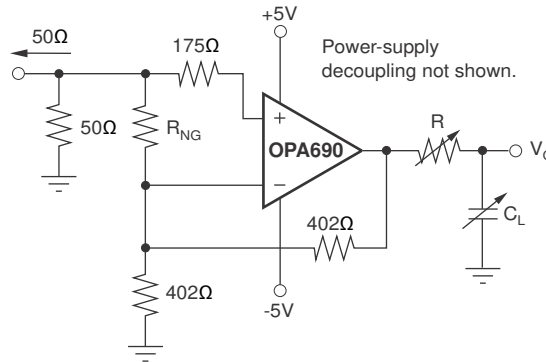
8.1.5 Driving Capacitive Loads

One of the most demanding and yet very common load conditions for an op amp is capacitive loading. Often, the capacitive load is the input of an ADC—including additional external capacitance that can be recommended to improve ADC linearity. A high-speed, high open-loop gain amplifier like the OPA690 can be very susceptible to decreased stability and closed-loop response peaking when a capacitive load is placed directly on the output pin. When the amplifier open-loop output resistance is considered, this capacitive load introduces an additional pole in the signal path that can decrease the phase margin. Several external solutions to this problem have been suggested. When the primary considerations are frequency response flatness, pulse response fidelity, and distortion, the simplest and most effective solution is to isolate the capacitive load from the feedback loop by inserting a series-isolation resistor between the amplifier output and the capacitive load. This configuration does not eliminate the pole from the loop response, but rather shifts the pole and adds a zero at a higher frequency.

The additional zero acts to cancel the phase lag from the capacitive load pole, thus increasing the phase margin and improving stability.

The typical characteristics show the recommended R_S versus capacitive load (Figure 6-51 for ± 5 V and Figure 6-66 for 5 V), and the resulting frequency response at the load. Parasitic capacitive loads greater than 2 pF can begin to degrade the performance of the OPA690. Long PCB traces, unmatched cables, and connections to multiple devices can easily exceed this value. Always consider this effect carefully, and add the recommended series resistor as close as possible to the OPA690 output pin (see Section 8.4.1).

The criterion for setting this R_S resistor is a maximum bandwidth, flat frequency response at the load. For the OPA690 operating in a gain of 2, the frequency response at the output pin is already slightly peaked without the capacitive load requiring relatively high values of R_S to flatten the response at the load. Increasing the noise gain reduces the peaking as described previously. The circuit of Figure 8-2 demonstrates this technique, allowing lower values of R_S to be used for a given capacitive load.



Copyright © 2016, Texas Instruments Incorporated

Figure 8-2. Capacitive Load Driving With Noise Gain Tuning

This gain of 2 V/V circuit includes a noise gain tuning resistor across the two inputs to increase the noise gain, increasing the unloaded phase margin for the op amp. Although this technique reduces the required R_S resistor for a given capacitive load, this technique does increase the noise at the output. This technique also decreases the loop gain, slightly decreasing the distortion performance. If, however, the dominant distortion mechanism arises from a high R_S value, significant dynamic range improvement can be achieved using this technique. Figure 8-3 shows the required R_S versus C_{LOAD} parametric on noise gain using this technique. This is the circuit of Figure 8-2 with R_{NG} adjusted to increase the noise gain (increasing the phase margin) then sweeping C_{LOAD} and finding the required R_S to get a flat frequency response. This plot also gives the required R_S versus C_{LOAD} for the OPA690 operated at higher signal gains.

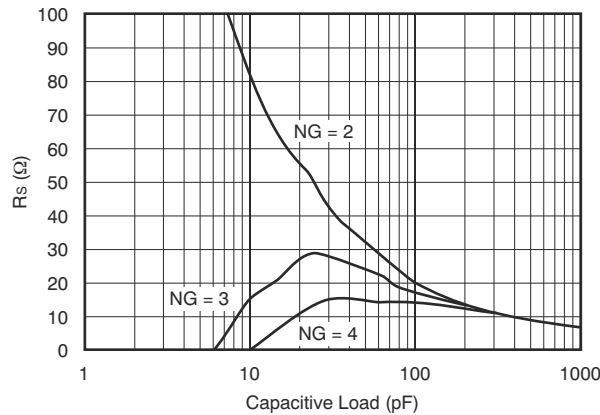


Figure 8-3. Required R_S vs Noise Gain

8.1.6 Distortion Performance

The OPA690 provides good distortion performance into a 100- Ω load on ± 5 -V supplies. Relative to alternative solutions, this device provides exceptional performance into lighter loads, while operating on a single 5-V supply. Increasing the load impedance improves distortion directly. Remember that the total load includes the feedback network; in the noninverting configuration (see [Figure 7-1](#)), this total load is sum of $R_F + R_G$, while in the inverting configuration the total load is just R_F . Also, providing an additional supply-decoupling capacitor (0.1 μ F) between the supply pins (for bipolar operation) improves the 2nd-order distortion.

In most op amps, increasing the output voltage swing increases harmonic distortion directly. The new output stage used in the OPA690 actually holds the difference between fundamental power and the 2nd- and 3rd-harmonic powers relatively constant with increasing output power until very large output swings are required ($> 4 V_{PP}$). This feature also shows up in the 2-tone, 3rd-order intermodulation spurious (IM3) response curves. The 3rd-order spurious levels are moderately low at low output power levels. The output stage continues to hold the distortion levels low even as the fundamental power reaches very high levels. [Section 6.11](#) shows that the spurious intermodulation powers do not increase as predicted by a traditional intercept model. As the fundamental power level increases, the dynamic range does not decrease significantly. For two tones centered at 20 MHz, with 10 dBm/tone into a matched 50- Ω load (that is, 2 V_{PP} for each tone at the load, which requires 8 V_{PP} for the overall two-tone envelope at the output pin), [Figure 6-50](#) shows 47-dBc difference between the test tone powers and the 3rd-order intermodulation spurious powers. This performance improves further when operating at lower frequencies.

8.1.7 Noise Performance

High slew rate, unity-gain stable, voltage-feedback op amps usually achieve a slew rate at the expense of a higher input noise voltage. The 5.5-nV/√Hz input voltage noise for the OPA690 is, however, much lower than comparable amplifiers. The input-referred voltage noise, and the two input-referred current noise terms, combine to give low output noise under a wide variety of operating conditions. Figure 8-4 shows the op amp noise analysis model with all the noise terms included. In this model, all noise terms are taken to be noise voltage or current density terms in either nV/√Hz or pA/√Hz.

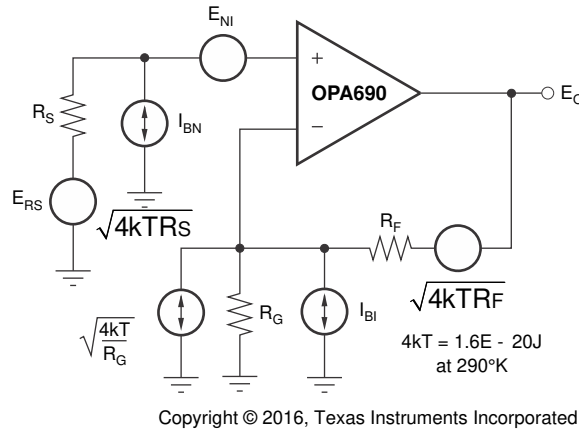


Figure 8-4. Op Amp Noise Analysis Model

The total output spot noise voltage can be computed as the square root of the sum of all squared output noise voltage contributors. Equation 1 shows the general form for the output noise voltage using the terms shown in Figure 8-4.

$$E_O = \sqrt{\left(E_{NI}^2 + (I_{BN}R_S)^2 + 4kTR_S\right) NG^2 + (I_{BI}R_F)^2 + 4kTR_F NG} \quad (1)$$

Dividing this expression by the noise gain $[NG = (1 + R_F/R_G)]$ gives the equivalent input-referred spot noise voltage at the noninverting input, as shown in Equation 2.

$$E_N = \sqrt{E_{NI}^2 + (I_{BN}R_S)^2 + 4kTR_S + \left(\frac{I_{BI}R_F}{NG}\right)^2 + \frac{4kTR_F}{NG}} \quad (2)$$

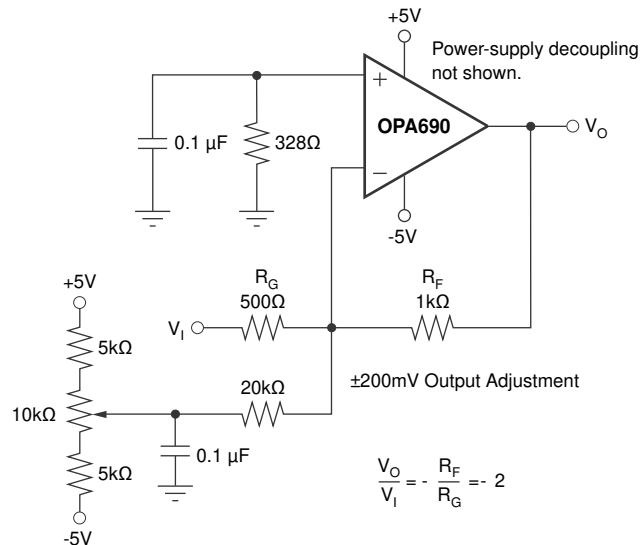
Evaluating these two equations for the OPA690 circuit and component values (see Figure 7-1) gives a total output spot noise voltage of 12.3 nV/√Hz and a total equivalent input spot noise voltage of 6.1 nV/√Hz. This is including the noise added by the bias current cancellation resistor (175 Ω) on the noninverting input. This total input-referred spot noise voltage is only slightly higher than the 5.5-nV/√Hz specification for the op amp voltage noise alone. This is the case as long as the impedances appearing at each op amp input are limited to the previously recommend maximum value of 300 Ω. Keeping both $(R_F \parallel R_G)$ and the noninverting input source impedance less than 300 Ω satisfies both noise and frequency response flatness considerations. Because the resistor-induced noise is relatively negligible, additional capacitive decoupling across the bias current cancellation resistor (R_B) for the inverting op amp configuration of Figure 8-1 is not required.

8.1.8 DC Accuracy and Offset Control

The balanced input stage of a wideband voltage-feedback op amp allows good output dc accuracy in a wide variety of applications. Although the high-speed input stage does require relatively high input bias current (typically $\pm 8 \mu\text{A}$ at each input terminal), the close matching can be used to reduce the output dc error caused by this current. The total output offset voltage can be considerably reduced by matching the dc source resistances appearing at the two inputs. This matching reduces the output dc error due to the input bias currents to the offset current times the feedback resistor. Evaluating the configuration of [Figure 7-1](#), and using worst-case 25°C input offset voltage and current specifications, gives a worst-case output offset voltage equal to:

$$\begin{aligned} &-(\text{NG} = \text{noninverting signal gain}) \\ &\pm(\text{NG} \times V_{\text{OS}(\text{MAX})}) \pm (R_{\text{F}} \times I_{\text{OS}(\text{MAX})}) \\ &= \pm(2 \times 4 \text{ mV}) \pm (402 \Omega \times 1 \mu\text{A}) \\ &= \pm 8.4 \text{ mV} \end{aligned}$$

A fine-scale output offset null, or dc operating point adjustment, is often required. Numerous techniques are available for introducing dc offset control into an op-amp circuit. Most of these techniques eventually reduce to adding a dc current through the feedback resistor. In selecting an offset trim method, one key consideration is the impact on the desired signal path frequency response. If the signal path is intended to be noninverting, the offset control is best applied as an inverting summing signal to avoid interaction with the signal source. If the signal path is intended to be inverting, applying the offset control to the noninverting input can be considered. However, the dc offset voltage on the summing junction sets up a dc current back into the source that must be considered. Applying an offset adjustment to the inverting op amp input can change the noise gain and frequency response flatness. For a dc-coupled inverting amplifier, see [Figure 8-5](#) for one example of an offset adjustment technique that has minimal impact on the signal frequency response. In this case, the dc offsetting current is brought into the inverting input node through resistor values that are much greater than the signal path resistors. This circuit configuration has minimal effect on the loop gain, and therefore, the frequency response.



Copyright © 2016, Texas Instruments Incorporated

Figure 8-5. DC-Coupled, Inverting Gain of -2 V/V , With Offset Adjustment

8.1.9 Thermal Analysis

As a result of the high output power capability of the OPA690, sinking heat or forced airflow can be required under extreme operating conditions. Maximum desired junction temperature sets the maximum allowed internal power dissipation. In no case can the maximum junction temperature be allowed to exceed 150°C.

Operating junction temperature (T_J) is given by $T_A + P_D \times R_{\theta JA}$. The total internal power dissipation (P_D) is the sum of quiescent power (P_{DQ}) and additional power dissipated in the output stage (P_{DL}) to deliver load power. Quiescent power is simply the specified no-load supply current times the total supply voltage across the part. P_{DL} depends on the required output signal and load but, for a grounded resistive load, be at a maximum when the output is fixed at a voltage equal to 1/2 of either supply voltage (for equal bipolar supplies) under the condition in [Equation 3](#).

$$P_{DL} = V_S^2 / (4 \times R_L) \quad (3)$$

where

- R_L includes feedback network loading

Note

The power in the output stage and not into the load determines internal power dissipation.

As a worst-case example, compute the maximum T_J using an OPA690-DBV (6-pin SOT-23 package) in the circuit of [Figure 7-1](#) operating at the maximum specified ambient temperature of 85°C and driving a grounded 20-Ω load.

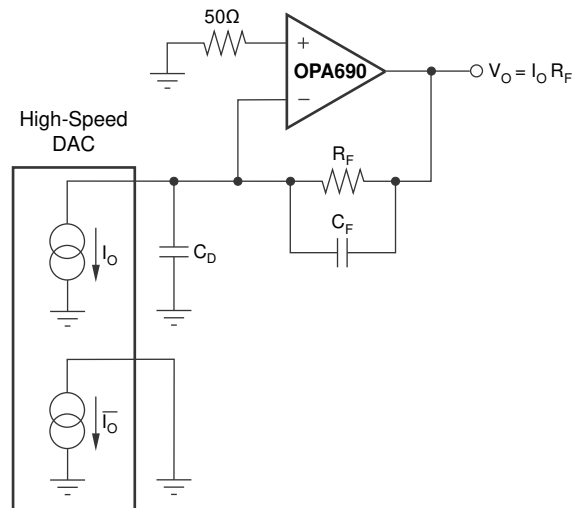
$$P_D = 10 \text{ V} \times 6.2 \text{ mA} + 5^2 / (4 \times (20 \text{ } \Omega \parallel 804 \text{ } \Omega)) = 382 \text{ mW} \quad (4)$$

$$\text{Maximum } T_J = 85^\circ\text{C} + (0.38 \text{ W} \times 150^\circ\text{C/W}) = 142^\circ\text{C} \quad (5)$$

Although this result is still much less than the specified maximum junction temperature, system reliability considerations can require lower tested junction temperatures. The highest possible internal dissipation occurs if the load requires current to be forced into the output for positive output voltages or sourced from the output for negative output voltages. This puts a high current through a large internal voltage drop in the output transistors. [Figure 6-55](#), the output V-I plot shown in [Section 6.11](#), include a boundary for 1-W maximum internal power dissipation under these conditions.

8.2 Typical Applications

8.2.1 High-Performance DAC Transimpedance Amplifier



Copyright © 2016, Texas Instruments Incorporated

Figure 8-6. DAC Transimpedance Amplifier

8.2.1.1 Design Requirements

High-frequency, direct digital synthesis (DDS) digital-to-analog converters (DACs) require a low-distortion output amplifier to retain SFDR performance into real-world loads. See [Figure 8-6](#) for a single-ended output drive implementation.

8.2.1.2 Detailed Design Procedure

In this circuit, only one side of the complementary output drive signal is used. [Figure 8-6](#) shows the signal output current connected into the virtual ground summing junction of the OPA690, which is set up as a transimpedance stage or *I-V converter*. The unused current output of the DAC is connected to ground. If the DAC requires that the outputs terminate to a compliance voltage other than ground for operation, the appropriate voltage level can be applied to the noninverting input of the OPA690. The dc gain for this circuit is equal to R_F . At high frequencies, the DAC output capacitance produces a zero in the noise gain for the OPA690 that can cause peaking in the closed-loop frequency response. C_F is added across R_F to compensate for this noise gain peaking. To achieve a flat transimpedance frequency response, set the pole in the feedback network to [Equation 6](#).

$$\frac{1}{2\pi R_F C_F} = \sqrt{\frac{\text{GBP}}{4\pi R_F C_D}} \quad (6)$$

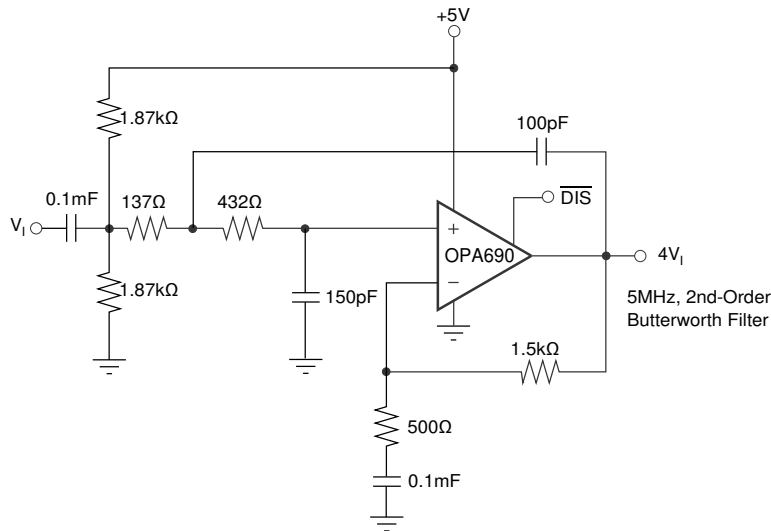
[Equation 6](#) gives a closed-loop transimpedance bandwidth, $f_{-3\text{dB}}$, of approximately [Equation 7](#).

$$f_{-3\text{dB}} = \sqrt{\frac{\text{GBP}}{2\pi R_F C_D}} \quad (7)$$

where

- GBP = gain bandwidth product (Hz) for the OPA690

8.2.2 Single-Supply Active Filters



Copyright © 2016, Texas Instruments Incorporated

Figure 8-7. Single-Supply, High-Frequency Active Filter

8.2.2.1 Design Requirements

The high bandwidth provided by the OPA690, while operating on a single 5-V supply, works well with high-frequency active filter designs. Again, the key additional requirement is to establish the dc operating point of the signal near the supply midpoint for highest dynamic range. See [Figure 8-7](#) for an example design of a 5-MHz low-pass Butterworth filter using the Sallen-Key topology.

Both the input signal and the gain setting resistor are ac-coupled using 0.1- μ F blocking capacitors (actually giving band-pass response with the low-frequency pole set to 32 kHz for the component values shown). As discussed for [Figure 7-2](#), this allows the midpoint bias formed by the two 1.87-k Ω resistors to appear at both the input and output pins. The midband signal gain is set to 4 (12 dB) in this case. The capacitor to ground on the noninverting input is intentionally set larger to dominate input parasitic terms. At a gain of 4, the OPA690 on a single supply shows approximately 80-MHz small- and large-signal bandwidth. The resistor values are slightly adjusted to account for this limited bandwidth in the amplifier stage. Tests of this circuit show a precise 5-MHz, -3-dB point with a maximally flat pass band (greater than the 32-kHz ac-coupling corner), and a maximum stop-band attenuation of 36 dB at the -3-dB bandwidth of 80 MHz of the amplifier.

8.2.2.2 Application Curve

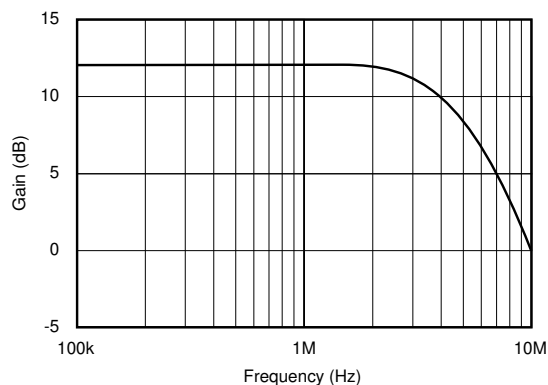
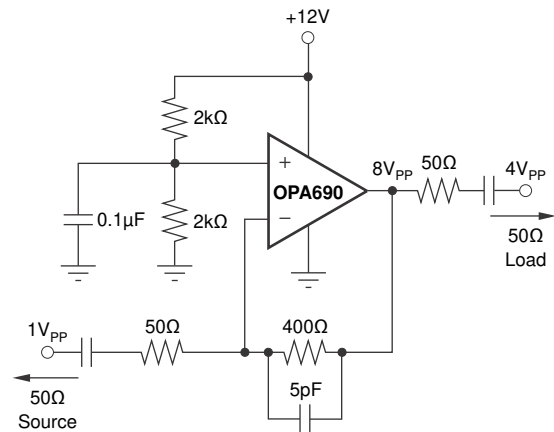


Figure 8-8. 5-MHz, 2nd-Order Butterworth Filter Response

8.2.3 High-Power Line Driver



Copyright © 2016, Texas Instruments Incorporated

Figure 8-9. High-Power Coax Line Driver

8.2.3.1 Design Requirements

The large output swing capability of the OPA690 and the high current capability allow the device to drive a 50-Ω line with a peak-to-peak signal up to 4 V_{PP} at the load, or 8 V_{PP} at the output of the amplifier using a single 12-V supply. [Figure 8-9](#) shows such a circuit set for a gain of 8 to the output or 4 to the load.

The 5-pF capacitor in the feedback loop provides added bandwidth control for the signal path.

8.3 Power Supply Recommendations

The OPA690 is principally intended to work in a supply range of ± 2.5 V to ± 6 V. Good power-supply bypassing is required. Minimize the distance (< 0.1 inch) from the power-supply pins to high frequency, 0.1- μ F decoupling capacitors. Often a larger capacitor (2.2 μ F is typical) is used along with a high-frequency, 0.1- μ F supply decoupling capacitor at the device supply pins.

For single-supply operation, only the positive supply has these capacitors. When a split supply is used, use these capacitors for each supply to ground. If necessary, place the larger capacitors somewhat farther from the device and share these capacitors among several devices in the same area of the PCB.

Avoid narrow power and ground traces to minimize inductance between the pins and the decoupling capacitors. An optional supply decoupling capacitor across the two power supplies (for bipolar operation) improves second harmonic distortion performance.

8.4 Layout

8.4.1 Layout Guidelines

Achieving optimum performance with a high-frequency amplifier like the OPA690 requires careful attention to board layout parasitics and external component types. Recommendations that optimize performance include:

1. Minimize parasitic capacitance to any ac ground for all of the signal I/O pins. Parasitic capacitance on the output and inverting input pins can cause instability: on the noninverting input, parasitic capacitance can react with the source impedance to cause unintentional band-limiting. To reduce unwanted capacitance, open a window around the signal I/O pins in all of the ground and power planes around those pins. Otherwise, ensure that the ground and power planes are unbroken elsewhere on the board.
2. Minimize the distance (< 0.25 ") from the power-supply pins to high-frequency 0.1- μ F decoupling capacitors. At the device pins, ensure that the ground and power-plane layout is not in close proximity to the signal I/O pins. Avoid narrow power and ground traces to minimize inductance between the pins and the decoupling capacitors. Always decouple the power-supply connections with these capacitors. An optional supply decoupling capacitor (0.1- μ F) across the two power supplies (for bipolar operation) improves 2nd-harmonic distortion performance. Also, use larger (2.2- μ F to 6.8- μ F) decoupling capacitors, effective at lower frequencies, on the main supply pins. Place these decoupling capacitors somewhat farther from the device and share these capacitors among several devices in the same area of the PCB.
3. Careful selection and placement of external components preserve the high-frequency performance of the OPA690. Use very low reactance type resistors. Surface-mount resistors work best and allow a tighter overall layout. Metal film or carbon composition axially-leaded resistors can also provide good high-frequency performance. Again, keep the leads and PCB traces as short as possible. Never use wire-wound type resistors in a high-frequency application. Because the output pin and inverting input pin are the most sensitive to parasitic capacitance, always position the feedback and series output resistor, if any, as close as possible to the output pin. Place other network components, such as noninverting input termination resistors, close to the package. Where double-side component mounting is allowed, place the feedback resistor directly under the package on the other side of the board between the output and inverting input pins. Even with a low parasitic capacitance shunting the external resistors, excessively high resistor values can create significant time constants that can degrade performance. Good axial metal film or surface-mount resistors have approximately 0.2 pF in shunt with the resistor. For resistor values > 1.5 k Ω , this parasitic capacitance can add a pole or zero below 500 MHz that can affect circuit operation. Keep resistor values as low as possible consistent with load driving considerations. The 402- Ω feedback is a good starting point for design. A 25- Ω feedback resistor, rather than a direct short, is suggested for the unity-gain follower application. This configuration effectively isolates the inverting input capacitance from the output pin that can otherwise cause an additional peaking in the gain of 1 frequency response.
4. Connections to other wideband devices on the board can be made with short, direct traces or through onboard transmission lines. For short connections, consider the trace and the input to the next device as a lumped capacitive load. Use relatively wide traces (50 mils or 1.27 mm to 100 mils or 2.54 mm), preferably with ground and power planes opened up around the traces. Estimate the total capacitive load and set R_S from the plot of *Recommended R_S vs Capacitive Load* (Figure 6-51 for ± 5 V and Figure 6-66 for 5 V). Low parasitic capacitive loads (< 5 pF) do not always require an R_S because the OPA690 is nominally

compensated to operate with a 2-pF parasitic load. Higher parasitic capacitive loads without an R_S are allowed as the signal gain increases (increasing the unloaded phase margin). If a long trace is required, and the 6-dB signal loss intrinsic to a doubly-terminated transmission line is acceptable, implement a matched impedance transmission line using microstrip or stripline techniques (consult an ECL design handbook for microstrip and stripline layout techniques). A 50- Ω environment is normally not necessary on board, and in fact, a higher impedance environment improves distortion (see also the distortion versus load plots). With a characteristic board trace impedance defined (based on board material and trace dimensions), a matching series resistor into the trace from the output of the OPA690 is used, as well as a terminating shunt resistor at the input of the destination device. Remember also that the terminating impedance is the parallel combination of the shunt resistor and the input impedance of the destination device; set this total effective impedance to match the trace impedance. The high output voltage and current capability of the OPA690 allows multiple destination devices to be handled as separate transmission lines, each with series and shunt terminations. If the 6-dB attenuation of a doubly-terminated transmission line is unacceptable, a long trace can be series-terminated at the source end only. Treat the trace as a capacitive load in this case and set the series resistor value (see also the *Recommended R_S vs Capacitive Load* plot (Figure 6-51 for ± 5 V and Figure 6-66 for 5 V). This configuration does not preserve signal integrity as well as a doubly-terminated line. If the input impedance of the destination device is low, there is some signal attenuation due to the voltage divider formed by the series output into the terminating impedance.

5. Socketing a high-speed part like the OPA690 is not recommended. The additional lead length and pin-to-pin capacitance introduced by the socket can create an extremely troublesome parasitic network that can make achieving a smooth, stable frequency response almost impossible. Best results are obtained by soldering the OPA690 onto the board.

8.4.2 Layout Example

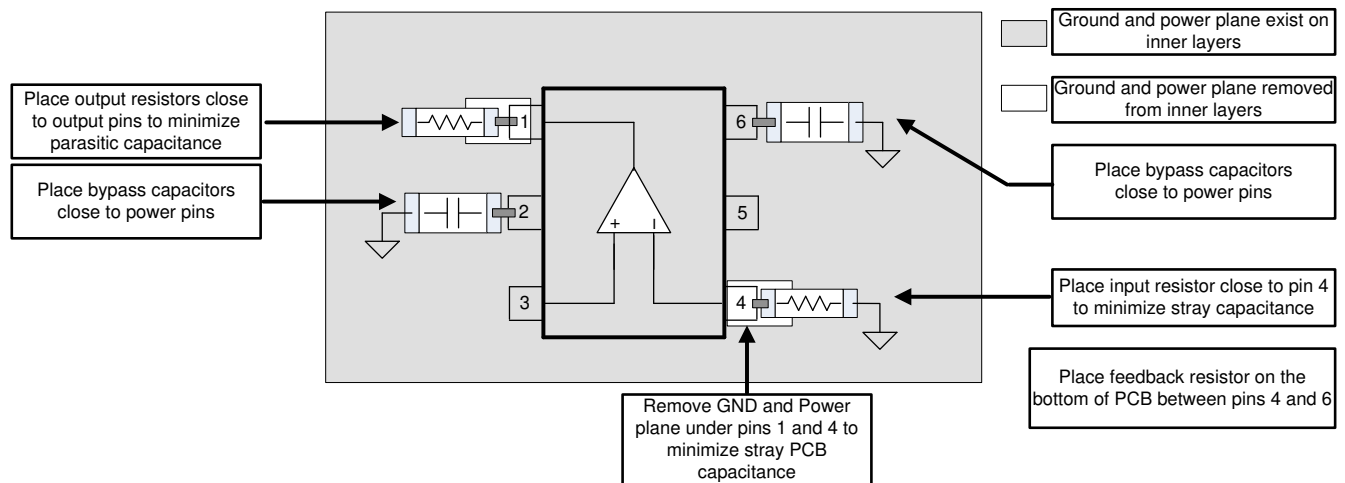


Figure 8-10. OPA690 Layout

9 Device and Documentation Support

9.1 Device Support

9.1.1 Macromodels and Applications Support

Computer simulation of circuit performance using SPICE is often useful when analyzing the performance of analog circuits and systems. Spice is particularly helpful for video and RF amplifier circuits where parasitic capacitance and inductance can have a major effect on circuit performance. A SPICE model for the OPA690 is available through the [OPA690 product folder](#) under *Simulation Models*. These models do a good job of predicting small-signal ac and transient performance under a wide variety of operating conditions. The models do not do as well in predicting the harmonic distortion or dG/dP characteristics. These models do not attempt to distinguish between the package types small-signal ac performance.

9.1.2 Demonstration Fixtures

Two printed-circuit boards (PCBs) are available to assist in the initial evaluation of circuit performance using the OPA690 in the two package options. Both of these are offered free of charge as unpopulated PCBs, delivered with a user's guide. The summary information for these fixtures is shown in [Table 9-1](#).

Table 9-1. Demonstration Fixtures by Package

PRODUCT	PACKAGE	ORDERING NUMBER	LITERATURE NUMBER
OPA690ID	8-pin SOIC	DEM-OPA-SO-1A	SBOU009
OPA690IDBV	6-pin SOT-23	DEM-OPA-SOT-1A	SBOU010

The demonstration fixtures can be requested at the Texas Instruments web site (www.ti.com) through the [OPA690](#) product folder.

9.2 Receiving Notification of Documentation Updates

To receive notification of documentation updates, navigate to the device product folder on ti.com. Click on *Notifications* to register and receive a weekly digest of any product information that has changed. For change details, review the revision history included in any revised document.

9.3 Support Resources

[TI E2E™ support forums](#) are an engineer's go-to source for fast, verified answers and design help — straight from the experts. Search existing answers or ask your own question to get the quick design help you need.

Linked content is provided "AS IS" by the respective contributors. They do not constitute TI specifications and do not necessarily reflect TI's views; see TI's [Terms of Use](#).

9.4 Trademarks

TI E2E™ is a trademark of Texas Instruments.
All trademarks are the property of their respective owners.

9.5 Electrostatic Discharge Caution



This integrated circuit can be damaged by ESD. Texas Instruments recommends that all integrated circuits be handled with appropriate precautions. Failure to observe proper handling and installation procedures can cause damage.

ESD damage can range from subtle performance degradation to complete device failure. Precision integrated circuits may be more susceptible to damage because very small parametric changes could cause the device not to meet its published specifications.

9.6 Glossary

[TI Glossary](#) This glossary lists and explains terms, acronyms, and definitions.

10 Revision History

NOTE: Page numbers for previous revisions may differ from page numbers in the current version.

Changes from Revision G (August 2016) to Revision H (October 2024)	Page
• Updated the numbering format for tables, figures, and cross-references throughout the document.....	1
• Updated Features.....	1
• Updated <i>Description</i>	1
• Updated front-page diagram.....	1
• Updated <i>Device Comparison Table</i>	2
• Changed designator from DRB to DBV (typo) in Table 5-1, <i>Pin Functions</i>	3
• Added Supply turn-on and turn-off rate and continuous input current specifications to Absolute Maximum Ratings table.....	4
• Updated footnote on Absolute Maximum Ratings table to add additional clarification.....	4
• Changed Junction temperature specification from 175°C to 150°C in Absolute Maximum Ratings table.....	4
• Deleted Machine Model (MM) specification from ESD Ratings table.....	4
• Updated thermal specifications for DBV package in Thermal Information table	4
• Changed designator from DRB to DBV (typo) in Thermal Information	4
• Added new Electrical Characteristics tables for OPA690IDBV package.....	5
• Updated Electrical Characteristics: OPA690IDBV, ± 5 V AC Performance section with improved typical small-signal bandwidth, large-signal bandwidth, slew rate, voltage noise, and distortion parameters.....	5
• Added $T_A \cong 25^\circ\text{C}$ and input and output reference voltages to the default test conditions across all Electrical Characteristics sections.....	5
• Deleted 0°C to $+70^\circ\text{C}$ conditions across all Electrical Characteristics sections.....	5
• Deleted minimum specifications and over temperature specifications across all Electrical Characteristics: AC Performance sections.....	5
• Changed typical Bandwidth for 0.1-dB gain flatness typical value from 30 MHz to 25 MHz in Electrical Characteristics: OPA690IDBV, ± 5 V.....	5
• Changed Peaking at gain of 1 V/V from 4 dB to 1 dB in Electrical Characteristics: OPA690IDBV, ± 5 V.....	5
• Changed typical Large signal bandwidth condition from $V_O < 0.5$ VPP to $V_O = 2$ VPP in Electrical Characteristics: OPA690IDBV, ± 5 V.....	5
• Changed typical rise and fall time at 5 V-step from 2.8 ns to 2.3 ns at 4 V-step in Electrical Characteristics: OPA690IDBV, ± 5 V.....	5
• Changed typical 0.02% settling time from 12 ns to 13 ns Electrical Characteristics: OPA690IDBV, ± 5 V.....	5
• Changed typical 2-nd harmonic distortion at 100 Ω from -68 dBc to -85 dBc in Electrical Characteristics: OPA690IDBV, ± 5 V.....	5
• Changed typical 2-nd harmonic distortion at 500 Ω from -77 dBc to -85 dBc in Electrical Characteristics: OPA690IDBV, ± 5 V.....	5
• Changed typical 3-nd harmonic distortion at 100 Ω from -70 dBc to -75 dBc in Electrical Characteristics: OPA690IDBV, ± 5 V.....	5
• Changed typical 3-nd harmonic distortion at 500 Ω from -81 dBc to -90 dBc in Electrical Characteristics: OPA690IDBV, ± 5 V.....	5
• Changed typical input voltage noise from 5.5 nV/ $\sqrt{\text{Hz}}$ to 4.6 nV/ $\sqrt{\text{Hz}}$ in Electrical Characteristics: OPA690IDBV, ± 5 V.....	5
• Changed typical input current noise from 3.1 pA/ $\sqrt{\text{Hz}}$ to 1.7 pA/ $\sqrt{\text{Hz}}$ in Electrical Characteristics: OPA690IDBV, ± 5 V.....	5
• Changed typical open-loop voltage gain from 69 dB to 78 dB in Electrical Characteristics: OPA690IDBV, ± 5 V.....	5
• Changed typical input offset voltage from ± 1 mV to ± 0.3 mV in Electrical Characteristics: OPA690IDBV, ± 5 V.....	5
• Changed typical input bias current from ± 3 μA to ± 1 μA in Electrical Characteristics: OPA690IDBV, ± 5 V.....	5
• Changed typical input offset current from ± 0.1 μA to ± 0.05 μA in Electrical Characteristics: OPA690IDBV, ± 5 V.....	5

- Changed typical Common-mode input voltage from ± 3.5 V to ± 3.85 V in Electrical Characteristics: OPA690IDBV, ± 5 V..... 5
- Changed typical Common-mode rejection ratio from 65 dB to 80 dB in Electrical Characteristics: OPA690IDBV, ± 5 V..... 5
- Changed typical Input impedance differential mode from $190 \parallel 0.6$ k $\Omega \parallel$ pF to $6 \parallel 0.1$ M $\Omega \parallel$ pF in Electrical Characteristics: OPA690IDBV, ± 5 V..... 5
- Changed typical Input impedance differential mode from $3.2 \parallel 0.9$ M $\Omega \parallel$ pF to $38 \parallel 1$ M $\Omega \parallel$ pF in Electrical Characteristics: OPA690IDBV, ± 5 V..... 5
- Changed minimum Output voltage swing at no load from ± 3.8 V to ± 3.7 V in Electrical Characteristics: OPA690IDBV, ± 5 V..... 5
- Changed typical Output voltage swing at No load from ± 4 V to ± 3.9 V in Electrical Characteristics: OPA690IDBV, ± 5 V..... 5
- Changed typical Output voltage swing at 100 Ω load from ± 3.9 V to ± 3.85 V in Electrical Characteristics: OPA690IDBV, ± 5 V..... 5
- Changed typical Current output sourcing from 190 mA to 215 mA in Electrical Characteristics: OPA690IDBV, ± 5 V..... 5
- Changed typical Current output sinking from -190 mA to -215 mA in Electrical Characteristics: OPA690IDBV, ± 5 V..... 5
- Changed typical Short circuit current limit from ± 250 mA to ± 240 mA in Electrical Characteristics: OPA690IDBV, ± 5 V..... 5
- Changed typical Closed-loop output impedance from 0.04 Ω to 0.01 Ω in Electrical Characteristics: OPA690IDBV, ± 5 V..... 5
- Corrected the polarity of the power down supply current..... 5
- Changed typical disable time from 200 ns to 600 ns in Electrical Characteristics: OPA690IDBV, ± 5 V..... 5
- Changed typical Enable time from 25 ns to 40 ns in Electrical Characteristics: OPA690IDBV, ± 5 V..... 5
- Changed typical output capacitance in disable from 4 pF to 8 pF in Electrical Characteristics: OPA690IDBV, ± 5 V..... 5
- Changed typical Disable voltage from 1.8 V to 2.3 V in Electrical Characteristics: OPA690IDBV, ± 5 V..... 5
- Changed maximum Quiescent current from 5.8 mA to 7 mA in Electrical Characteristics: OPA690IDBV, ± 5 V..... 5
- Changed typical Quiescent current from 5.5 mA to 6.1 mA in Electrical Characteristics: OPA690IDBV, ± 5 V..... 5
- Changed minimum Quiescent current from 5.3 mA to 5.2 mA in Electrical Characteristics: OPA690IDBV, ± 5 V..... 5
- Changed maximum Quiescent current over temperature from 6.6 mA to 7 mA in Electrical Characteristics: OPA690IDBV, ± 5 V..... 5
- Changed typical Power-supply rejection ratio from 75 dB to 86 dB in Electrical Characteristics: OPA690IDBV, ± 5 V..... 5
- Updated the Electrical Characteristics: OPA690IDBV, 5 V AC performance section with improved typical small-signal bandwidth, voltage noise, and distortion parameters..... 7
- Changed the Peaking at gain of 1 V/V from 5 dB to 1.3 dB in Electrical Characteristics: OPA690IDBV, 5 V..... 7
- Changed the typical Slew rate from 1000 V/ μ s to 850 V/ μ s in Electrical Characteristics: OPA690IDBV, 5 V..... 7
- Changed the typical 0.02% settling time from 12 ns to 19 ns Electrical Characteristics: OPA690IDBV, 5 V..... 7
- Changed the typical 0.1% settling time from 8 ns to 16 ns Electrical Characteristics: OPA690IDBV, 5 V..... 7
- Changed the typical input voltage noise from 5.6 nV/ \sqrt Hz to 4.6 nV/ \sqrt Hz in Electrical Characteristics: OPA690IDBV, 5 V..... 7
- Changed the typical input current noise from 3.2 pA/ \sqrt Hz to 1.6 pA/ \sqrt Hz in Electrical Characteristics: OPA690IDBV, 5 V..... 7
- Changed the typical open-loop voltage gain from 63 dB to 77 dB in Electrical Characteristics: OPA690IDBV, 5 V..... 7
- Changed the typical input offset voltage from ± 1 mV to ± 0.3 mV in Electrical Characteristics: OPA690IDBV, 5 V..... 7
- Changed the typical input bias current from ± 3 μ A to ± 1 μ A in Electrical Characteristics: OPA690IDBV, 5 V..... 7
- Changed the typical input offset current from ± 0.3 μ A to ± 0.05 μ A in Electrical Characteristics: OPA690IDBV, 5 V..... 7

• Changed the typical Most positive input voltage from 3.5 V to 3.85 V in Electrical Characteristics: OPA690IDBV, 5 V.....	7
• Changed the typical input bias current from $\pm 3 \mu\text{A}$ to $\pm 1 \mu\text{A}$ in Electrical Characteristics: OPA690IDBV, 5 V...	7
• Changed the typical Common-mode rejection ratio from 63 dB to 79 dB in Electrical Characteristics: OPA690IDBV, 5 V.....	7
• Changed the typical Input impedance differential mode from $92 \parallel 1.4 \text{ k}\Omega \parallel \text{pF}$ to $6 \parallel 0.1 \text{ M}\Omega \parallel \text{pF}$ in Electrical Characteristics: OPA690IDBV, 5 V.....	7
• Changed the typical Input impedance common-mode from $2.2 \parallel 1.5 \text{ M}\Omega \parallel \text{pF}$ to $27 \parallel 1.1 \text{ M}\Omega \parallel \text{pF}$ in Electrical Characteristics: OPA690IDBV, 5 V.....	7
• Changed the minimum most positive output voltage at no load from 3.8 V to 3.7 V in Electrical Characteristics: OPA690IDBV, 5 V.....	7
• Changed the typical most positive output voltage at no load from 4 V to 3.9 V in Electrical Characteristics: OPA690IDBV, 5 V.....	7
• Changed the typical most positive output voltage at 100 Ω load from 3.9 V to 3.85 V in Electrical Characteristics: OPA690IDBV, 5 V.....	7
• Changed the minimum most negative output voltage at no load from 1.2 V to 1.3 V in Electrical Characteristics: OPA690IDBV, 5 V.....	7
• Changed the typical most negative output voltage at no load from 1 V to 1.1 V and at and 100 Ω load from 1.1 V to 1.15 V in Electrical Characteristics: OPA690IDBV, 5 V.....	7
• Changed the typical current output sourcing from 160 mA to 190 mA in Electrical Characteristics: OPA690IDBV, 5 V.....	7
• Changed the typical current output sinking from -160 mA to -190 mA in Electrical Characteristics: OPA690IDBV, 5 V.....	7
• Changed the typical closed-loop output impedance from 0.04 Ω to 0.01 Ω in Electrical Characteristics: OPA690IDBV, 5 V.....	7
• Changed the typical power-down supply current from $-100 \mu\text{A}$ to 75 μA in Electrical Characteristics: OPA690IDBV, 5 V.....	7
• Changed the typical off isolation from 65 dB to 72 dB in Electrical Characteristics: OPA690IDBV, 5 V.....	7
• Changed the typical output capacitance in disable from 4 pF to 8 pF in Electrical Characteristics: OPA690IDBV, 5 V.....	7
• Deleted the turn-on and turnoff glitch specifications from Electrical Characteristics section.....	7
• Changed the typical disable voltage from 1.8 V to 2.4 V in Electrical Characteristics: OPA690IDBV, 5 V.....	7
• Changed the typical disable pin input bias current from 75 μA to 60 μA in Electrical Characteristics: OPA690IDBV, 5 V.....	7
• Changed the typical quiescent current from 4.9 mA to 6.1 mA in Electrical Characteristics: OPA690IDBV, 5 V.....	7
• Changed the maximum quiescent current from 5.44 mA to 6.8 mA in Electrical Characteristics: OPA690IDBV, 5 V.....	7
• Changed the maximum quiescent current over temperature from 6.02 mA to 6.9 mA in Electrical Characteristics: OPA690IDBV, 5 V.....	7
• Changed the power-supply rejection ratio from 72 dB to 85 dB in Electrical Characteristics: OPA690IDBV, 5 V.....	7
• Deleted <i>Single-Supply ADC Interface</i> from <i>Typical Applications</i>	38

Changes from Revision F (February 2010) to Revision G (August 2016)
Page

• Added ESD Ratings table, Feature Description section, Device Functional Modes, Application and Implementation section, Power Supply Recommendations section, Layout section, Device and Documentation Support section, and Mechanical, Packaging, and Orderable Information section.....	1
• Deleted <i>Ordering Information</i> table; see POA at the end of the data sheet.....	2

Changes from Revision E (November 2008) to Revision F (February 2010)	Page
• Changed data sheet format to current standards.....	1
• Added Figure 6-61 , Noninverting Overdrive Recovery plot.....	20

Changes from Revision D (August 2008) to Revision E (November 2008)	Page
• Deleted obsolete OPA680 from <i>Related Products</i> table.....	2

11 Mechanical, Packaging, and Orderable Information

The following pages include mechanical, packaging, and orderable information. This information is the most current data available for the designated devices. This data is subject to change without notice and revision of this document. For browser-based versions of this data sheet, refer to the left-hand navigation.

PACKAGING INFORMATION

Orderable Device	Status (1)	Package Type	Package Drawing	Pins	Package Qty	Eco Plan (2)	Lead finish/ Ball material (6)	MSL Peak Temp (3)	Op Temp (°C)	Device Marking (4/5)	Samples
OPA690ID	ACTIVE	SOIC	D	8	75	RoHS & Green	NIPDAU	Level-2-260C-1 YEAR	-40 to 85	OPA 690	Samples
OPA690IDBVR	ACTIVE	SOT-23	DBV	6	3000	RoHS & Green	SN	Level-1-260C-UNLIM	-40 to 85	OAEI	Samples
OPA690IDBVTG4	NRND	SOT-23	DBV	6	250	TBD	Call TI	Call TI	-40 to 85		
OPA690IDR	ACTIVE	SOIC	D	8	2500	RoHS & Green	NIPDAU	Level-2-260C-1 YEAR	-40 to 85	OPA 690	Samples
OPA690IDRG4	ACTIVE	SOIC	D	8	2500	TBD	Call TI	Call TI	-40 to 85		Samples

(1) The marketing status values are defined as follows:

ACTIVE: Product device recommended for new designs.

LIFEBUY: TI has announced that the device will be discontinued, and a lifetime-buy period is in effect.

NRND: Not recommended for new designs. Device is in production to support existing customers, but TI does not recommend using this part in a new design.

PREVIEW: Device has been announced but is not in production. Samples may or may not be available.

OBSELETE: TI has discontinued the production of the device.

(2) **RoHS:** TI defines "RoHS" to mean semiconductor products that are compliant with the current EU RoHS requirements for all 10 RoHS substances, including the requirement that RoHS substance do not exceed 0.1% by weight in homogeneous materials. Where designed to be soldered at high temperatures, "RoHS" products are suitable for use in specified lead-free processes. TI may reference these types of products as "Pb-Free".

RoHS Exempt: TI defines "RoHS Exempt" to mean products that contain lead but are compliant with EU RoHS pursuant to a specific EU RoHS exemption.

Green: TI defines "Green" to mean the content of Chlorine (Cl) and Bromine (Br) based flame retardants meet JS709B low halogen requirements of <=1000ppm threshold. Antimony trioxide based flame retardants must also meet the <=1000ppm threshold requirement.

(3) MSL, Peak Temp. - The Moisture Sensitivity Level rating according to the JEDEC industry standard classifications, and peak solder temperature.

(4) There may be additional marking, which relates to the logo, the lot trace code information, or the environmental category on the device.

(5) Multiple Device Markings will be inside parentheses. Only one Device Marking contained in parentheses and separated by a "~" will appear on a device. If a line is indented then it is a continuation of the previous line and the two combined represent the entire Device Marking for that device.

(6) Lead finish/Ball material - Orderable Devices may have multiple material finish options. Finish options are separated by a vertical ruled line. Lead finish/Ball material values may wrap to two lines if the finish value exceeds the maximum column width.

Important Information and Disclaimer: The information provided on this page represents TI's knowledge and belief as of the date that it is provided. TI bases its knowledge and belief on information provided by third parties, and makes no representation or warranty as to the accuracy of such information. Efforts are underway to better integrate information from third parties. TI has taken and continues to take reasonable steps to provide representative and accurate information but may not have conducted destructive testing or chemical analysis on incoming materials and chemicals. TI and TI suppliers consider certain information to be proprietary, and thus CAS numbers and other limited information may not be available for release.

In no event shall TI's liability arising out of such information exceed the total purchase price of the TI part(s) at issue in this document sold by TI to Customer on an annual basis.

TAPE AND REEL INFORMATION

QUADRANT ASSIGNMENTS FOR PIN 1 ORIENTATION IN TAPE


*All dimensions are nominal

Device	Package Type	Package Drawing	Pins	SPQ	Reel Diameter (mm)	Reel Width W1 (mm)	A0 (mm)	B0 (mm)	K0 (mm)	P1 (mm)	W (mm)	Pin1 Quadrant
OPA690IDBVR	SOT-23	DBV	6	3000	180.0	8.4	3.2	3.2	1.4	4.0	8.0	Q3
OPA690IDR	SOIC	D	8	2500	330.0	12.4	6.4	5.2	2.1	8.0	12.0	Q1

TAPE AND REEL BOX DIMENSIONS


*All dimensions are nominal

Device	Package Type	Package Drawing	Pins	SPQ	Length (mm)	Width (mm)	Height (mm)
OPA690IDBVR	SOT-23	DBV	6	3000	210.0	185.0	35.0
OPA690IDR	SOIC	D	8	2500	356.0	356.0	35.0

TUBE


*All dimensions are nominal

Device	Package Name	Package Type	Pins	SPQ	L (mm)	W (mm)	T (μm)	B (mm)
OPA690ID	D	SOIC	8	75	506.6	8	3940	4.32



D0008A

PACKAGE OUTLINE

SOIC - 1.75 mm max height

SMALL OUTLINE INTEGRATED CIRCUIT



4214825/C 02/2019

NOTES:

1. Linear dimensions are in inches [millimeters]. Dimensions in parenthesis are for reference only. Controlling dimensions are in inches. Dimensioning and tolerancing per ASME Y14.5M.
2. This drawing is subject to change without notice.
3. This dimension does not include mold flash, protrusions, or gate burrs. Mold flash, protrusions, or gate burrs shall not exceed $.006$ [0.15] per side.
4. This dimension does not include interlead flash.
5. Reference JEDEC registration MS-012, variation AA.

EXAMPLE BOARD LAYOUT

D0008A

SOIC - 1.75 mm max height

SMALL OUTLINE INTEGRATED CIRCUIT



LAND PATTERN EXAMPLE
EXPOSED METAL SHOWN
SCALE:8X



SOLDER MASK DETAILS

4214825/C 02/2019

NOTES: (continued)

- 6. Publication IPC-7351 may have alternate designs.
- 7. Solder mask tolerances between and around signal pads can vary based on board fabrication site.

EXAMPLE STENCIL DESIGN

D0008A

SOIC - 1.75 mm max height

SMALL OUTLINE INTEGRATED CIRCUIT



SOLDER PASTE EXAMPLE
BASED ON .005 INCH [0.125 MM] THICK STENCIL
SCALE:8X

4214825/C 02/2019

NOTES: (continued)

8. Laser cutting apertures with trapezoidal walls and rounded corners may offer better paste release. IPC-7525 may have alternate design recommendations.
9. Board assembly site may have different recommendations for stencil design.

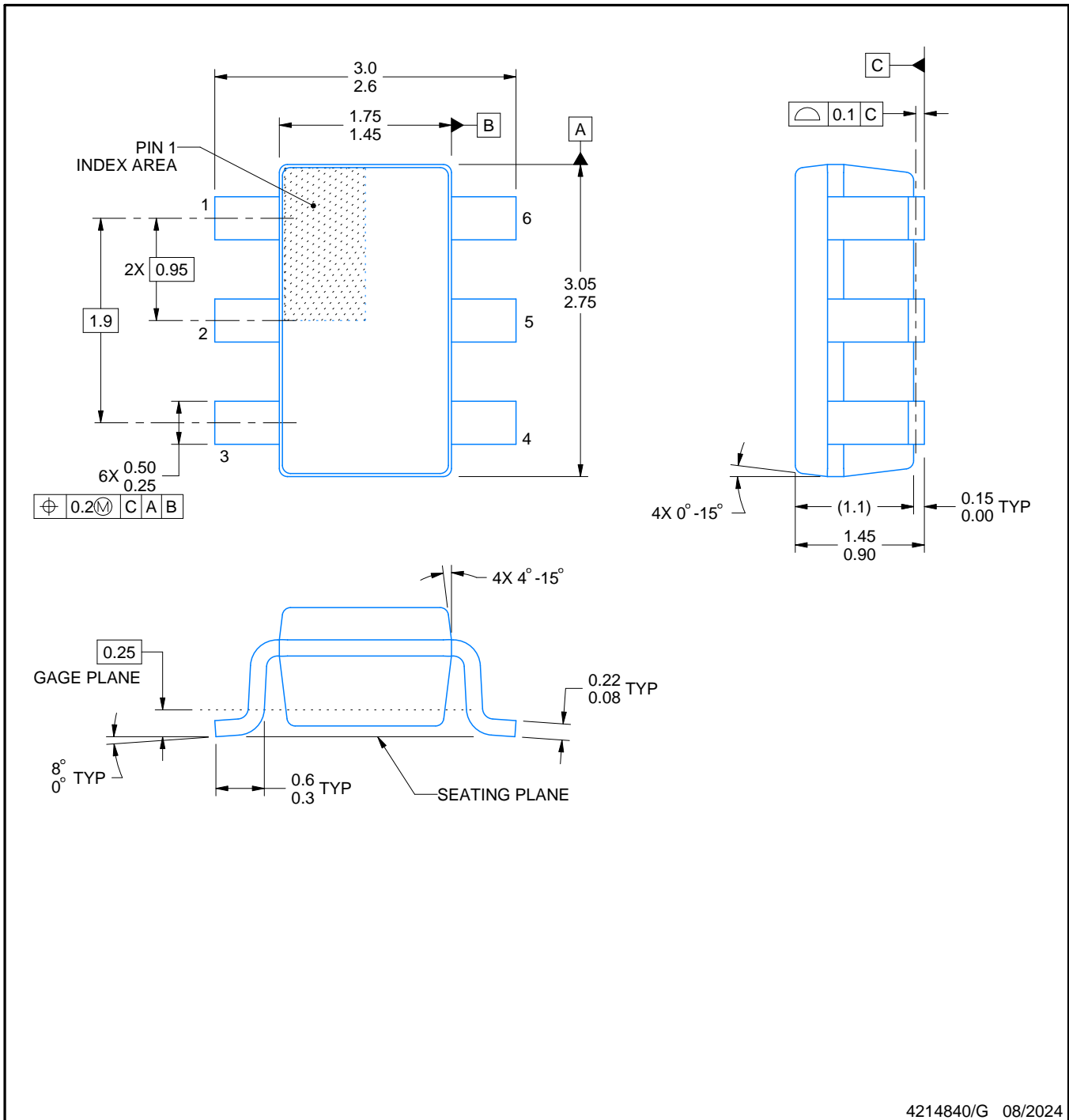


PACKAGE OUTLINE

DBV0006A

SOT-23 - 1.45 mm max height

SMALL OUTLINE TRANSISTOR



NOTES:

1. All linear dimensions are in millimeters. Any dimensions in parenthesis are for reference only. Dimensioning and tolerancing per ASME Y14.5M.
2. This drawing is subject to change without notice.
3. Body dimensions do not include mold flash or protrusion. Mold flash and protrusion shall not exceed 0.25 per side.
4. Leads 1,2,3 may be wider than leads 4,5,6 for package orientation.
5. Reference JEDEC MO-178.

EXAMPLE BOARD LAYOUT

DBV0006A

SOT-23 - 1.45 mm max height

SMALL OUTLINE TRANSISTOR



LAND PATTERN EXAMPLE
EXPOSED METAL SHOWN
SCALE:15X



SOLDER MASK DETAILS

4214840/G 08/2024

NOTES: (continued)

6. Publication IPC-7351 may have alternate designs.

7. Solder mask tolerances between and around signal pads can vary based on board fabrication site.

EXAMPLE STENCIL DESIGN

DBV0006A

SOT-23 - 1.45 mm max height

SMALL OUTLINE TRANSISTOR



SOLDER PASTE EXAMPLE
BASED ON 0.125 mm THICK STENCIL
SCALE:15X

4214840/G 08/2024

NOTES: (continued)

8. Laser cutting apertures with trapezoidal walls and rounded corners may offer better paste release. IPC-7525 may have alternate design recommendations.
9. Board assembly site may have different recommendations for stencil design.

IMPORTANT NOTICE AND DISCLAIMER

TI PROVIDES TECHNICAL AND RELIABILITY DATA (INCLUDING DATA SHEETS), DESIGN RESOURCES (INCLUDING REFERENCE DESIGNS), APPLICATION OR OTHER DESIGN ADVICE, WEB TOOLS, SAFETY INFORMATION, AND OTHER RESOURCES "AS IS" AND WITH ALL FAULTS, AND DISCLAIMS ALL WARRANTIES, EXPRESS AND IMPLIED, INCLUDING WITHOUT LIMITATION ANY IMPLIED WARRANTIES OF MERCHANTABILITY, FITNESS FOR A PARTICULAR PURPOSE OR NON-INFRINGEMENT OF THIRD PARTY INTELLECTUAL PROPERTY RIGHTS.

These resources are intended for skilled developers designing with TI products. You are solely responsible for (1) selecting the appropriate TI products for your application, (2) designing, validating and testing your application, and (3) ensuring your application meets applicable standards, and any other safety, security, regulatory or other requirements.

These resources are subject to change without notice. TI grants you permission to use these resources only for development of an application that uses the TI products described in the resource. Other reproduction and display of these resources is prohibited. No license is granted to any other TI intellectual property right or to any third party intellectual property right. TI disclaims responsibility for, and you will fully indemnify TI and its representatives against, any claims, damages, costs, losses, and liabilities arising out of your use of these resources.

TI's products are provided subject to [TI's Terms of Sale](#) or other applicable terms available either on [ti.com](https://www.ti.com) or provided in conjunction with such TI products. TI's provision of these resources does not expand or otherwise alter TI's applicable warranties or warranty disclaimers for TI products.

TI objects to and rejects any additional or different terms you may have proposed.

Mailing Address: Texas Instruments, Post Office Box 655303, Dallas, Texas 75265
Copyright © 2024, Texas Instruments Incorporated