

Application Brief

Understanding Schmitt Triggers



Most CMOS, BiCMOS and TTL devices require fast edges on the high and low transitions of their inputs. If the edges are too slow, they can cause excessive current, oscillation, or may damage the device.

Slow or Noisy Edges

Slow edges are sometimes hard to avoid at power-up or when using push-button or manual switches with the large capacitors needed for filtering. Heavily loaded outputs can also cause input rise and fall time to be out of specification for the next part down the line. On a normal (non-Schmitt trigger) input, the part will switch at the same point on the rising edge and falling edge. With a slow rising edge the part will switch at the threshold. When the switch occurs, it will require current from V_{cc} .

When current is forced from V_{CC} , the V_{CC} level can drop and cause the threshold to shift. When the threshold shifts it will cross the input again causing the part to switch again. This pattern can continue causing oscillation, which can cause excessive current. This pattern can also happen if noise is on the input. The noise can cross the threshold multiple times and cause oscillation or multiple clocking.

Hysteresis

The solution to these problems is to use a Schmitt trigger device to translate the slow or noisy edges into something faster that will meet the input rise and fall specifications of the following device. A true Schmitt trigger does not have rise and fall time limitations.

Parts with Schmitt trigger action have a small amount of hysteresis that helps with noise rejection but still have an input rise and fall time-limit. These parts usually do not have V_T specifications in the data sheet and have rise and fall time limitations specified for the inputs in the recommended operating conditions.

The true Schmitt trigger input has the switching threshold adjusted where the part will switch at a higher point (V_{T+}) on the rising edge and at a lower point (V_{T-}) on the falling edge. The difference in these switching points is called Hysteresis (ΔV_T). Here is an example of Schmitt trigger specs:

Table 1. Example of Schmitt Trigger Specs

PARAMETER	V_{cc}	MIN	MAX	UNIT
V_{T+} (Positive-going input threshold voltage)	1.65 V	0.76	1.13	V
	2.3 V	1.08	1.56	
	3 V	1.48	1.92	
	4.5 V	2.19	2.74	
	5.5 V	2.65	3.33	
V_{T-} (Negative-going input threshold voltage)	1.65 V	0.35	0.59	V
	2.3 V	0.56	0.88	
	3 V	0.89	1.2	
	4.5 V	1.51	1.97	
	4.5 V	1.88	2.4	

Table 1. Example of Schmitt Trigger Specs (continued)

PARAMETER	V _{cc}	MIN	MAX	UNIT
ΔV_T Hysteresis ($V_{T+} - V_{T-}$)	1.65 V	0.36	0.64	V
	2.3 V	0.45	0.78	
	3 V	0.51	0.83	
	4.5 V	0.58	0.93	
	5.5 V	0.69	1.04	

It is important to remember ($V_{t+ \text{ max}} = V_{ih}$ and ($V_{T- \text{ min}} = V_{il}$). In the specs, multiple limits are related to the Schmitt trigger inputs. All of the limits are important for different reasons. On the input rising edge, the part will switch between ($V_{t+ \text{ min}}$) and ($V_{t+ \text{ max}}$). On the falling edge, the part will switch between ($V_{t- \text{ max}}$) and ($V_{t- \text{ min}}$). The part will not switch between ($V_{t- \text{ max}}$) and ($V_{t+ \text{ min}}$). This is important for noise rejection.

The hysteresis is the delta between where the part switches on the rising edge and where it switches on the falling edge. The hysteresis will be at least the min and no more than the max (ΔV_t) spec.

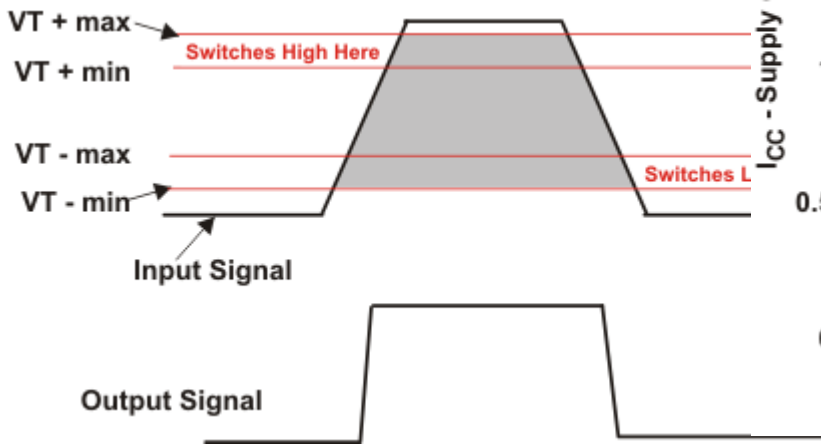


Figure 1.

In the figure above, the input levels V_{ih} and V_{il} must be greater than ($V_{T+ \text{ max}}$) and less than ($V_{T- \text{ min}}$) to ensure the part will switch. The switching points on the above plot are separated to give a clearer visual picture. In reality, the ($V_{T+ \text{ min}}$) and ($V_{T- \text{ max}}$) may overlap.

Input Voltage

One common misconception is that the current consumption will be less when switching a slow signal into a Schmitt trigger. This misconception is partly true because the Schmitt trigger prevents oscillation which can draw a lot of current; however, the I_{cc} current may still be higher due to the amount of time the input is not at the rail. This is ΔI_{cc} . ΔI_{cc} is where the inputs are not at the rails and upper or lower drive

transistors are partially on. The plot below shows I_{cc} across the input voltage sweep.

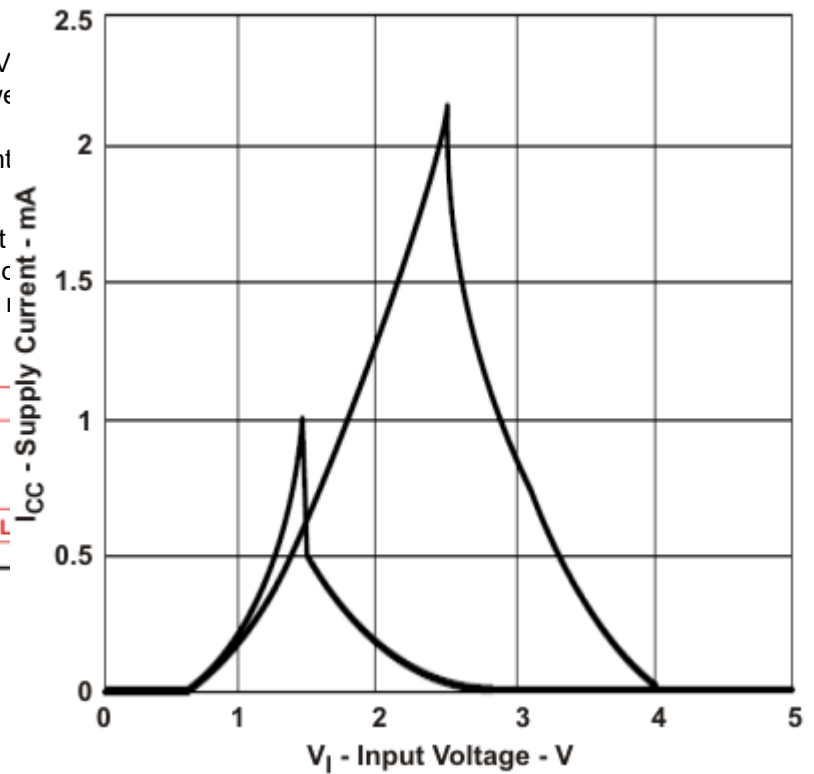


Figure 2. Supply Current as a Function of Input Voltage

Sine Waves

Use Schmitt triggers to translate a sine wave into a square wave as shown in this oscillator application. Also, use Schmitt triggers to speed up a slow or noisy input, or clean up an input, as in the switch de-bouncer circuit.

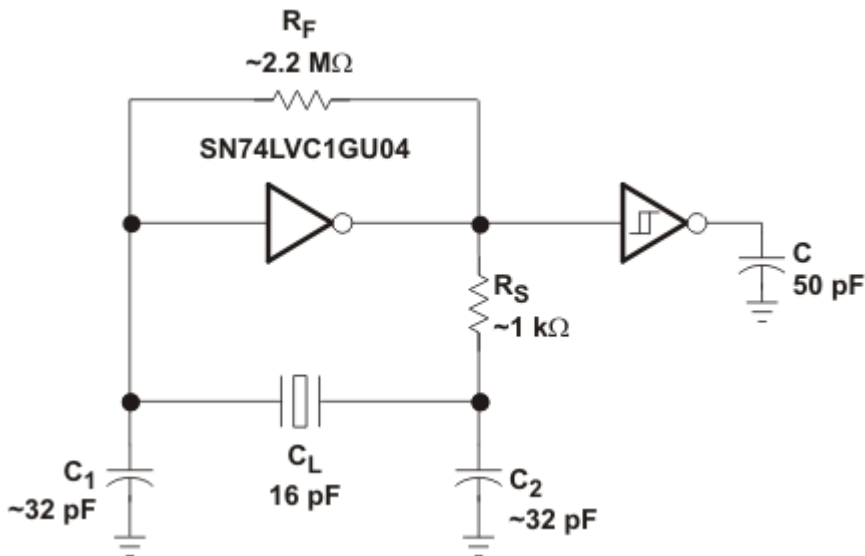


Figure 3. Oscillator Application Using Schmitt Trigger Inverter

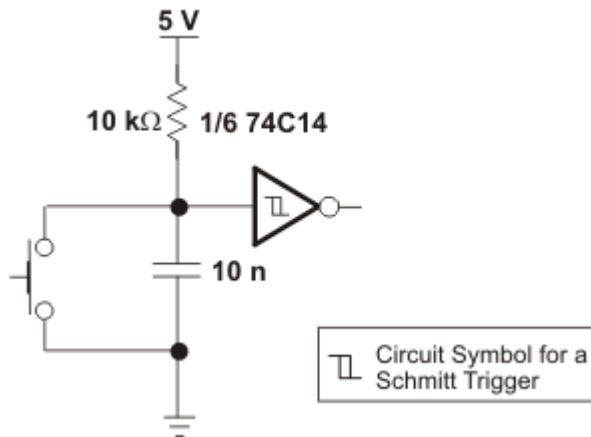


Figure 4. Switch De-bouncer Using Schmitt Trigger Inverter

Conclusion

Schmitt triggers can be used to change a sine wave into a square wave, clean up noisy signals, and convert slow edges to fast edges.

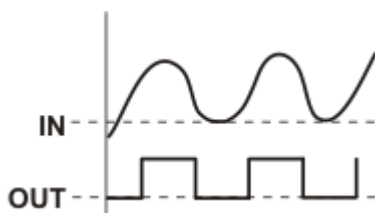


Figure 5. Sine Wave to Square Wave

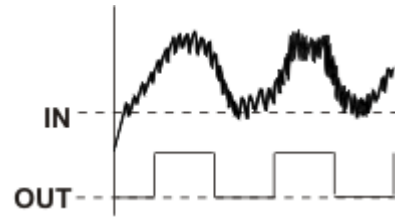


Figure 6. Clean Noisy Signals



Figure 7. Convert Slow Edges

We specify the part will switch on the rising edge between (VT+ min) and (VT+ max). We specify the part will switch on the falling edge between (VT– max) and (VT– min).

Between (VT+ min) and (VT– max), we specify the part will not switch. This specification can be used for noise rejection. These 2 limits can overlap.

We specify a minimum amount of hysteresis as delta VT min.

- Vih = (VT+ max)
- Vil = (VT– min)

Texas Instrument Schmitt trigger functions are available in most all technology families from the 30 year old 74XX family to the latest AUP1T family. These two Schmitt-trigger functions are available in most families:

- 14 for inverting Schmitt trigger
- 17 for non-inverting Schmitt trigger

Texas Instrument also has a complete line of little logic products with Schmitt trigger inputs.

Configurations

SN74LVC1G57, SN74LVC1G58, SN74LVC1G97, SN74LVC1G98, SN74LVC1G99 SN74AUP1G57, SN74AUP1G58, SN74AUP1G97, SN74AUP1G98, SN74AUP1G99

Low to High Translators

SN74AUP1T02, SN74AUP1T04, SN74AUP1T08, SN74AUP1T14, SN74AUP1T157, SN74AUP1T158, SN74AUP1T17, SN74AUP1T32, SN74AUP1T86

IMPORTANT NOTICE AND DISCLAIMER

TI PROVIDES TECHNICAL AND RELIABILITY DATA (INCLUDING DATA SHEETS), DESIGN RESOURCES (INCLUDING REFERENCE DESIGNS), APPLICATION OR OTHER DESIGN ADVICE, WEB TOOLS, SAFETY INFORMATION, AND OTHER RESOURCES "AS IS" AND WITH ALL FAULTS, AND DISCLAIMS ALL WARRANTIES, EXPRESS AND IMPLIED, INCLUDING WITHOUT LIMITATION ANY IMPLIED WARRANTIES OF MERCHANTABILITY, FITNESS FOR A PARTICULAR PURPOSE OR NON-INFRINGEMENT OF THIRD PARTY INTELLECTUAL PROPERTY RIGHTS.

These resources are intended for skilled developers designing with TI products. You are solely responsible for (1) selecting the appropriate TI products for your application, (2) designing, validating and testing your application, and (3) ensuring your application meets applicable standards, and any other safety, security, regulatory or other requirements.

These resources are subject to change without notice. TI grants you permission to use these resources only for development of an application that uses the TI products described in the resource. Other reproduction and display of these resources is prohibited. No license is granted to any other TI intellectual property right or to any third party intellectual property right. TI disclaims responsibility for, and you will fully indemnify TI and its representatives against, any claims, damages, costs, losses, and liabilities arising out of your use of these resources.

TI's products are provided subject to [TI's Terms of Sale](#) or other applicable terms available either on ti.com or provided in conjunction with such TI products. TI's provision of these resources does not expand or otherwise alter TI's applicable warranties or warranty disclaimers for TI products.

TI objects to and rejects any additional or different terms you may have proposed.

Mailing Address: Texas Instruments, Post Office Box 655303, Dallas, Texas 75265
Copyright © 2022, Texas Instruments Incorporated