

Interfacing the TLV1562 Parallel AD-Converter to the TMS320C54x DSP

Application Report

IMPORTANT NOTICE

Texas Instruments and its subsidiaries (TI) reserve the right to make changes to their products or to discontinue any product or service without notice, and advise customers to obtain the latest version of relevant information to verify, before placing orders, that information being relied on is current and complete. All products are sold subject to the terms and conditions of sale supplied at the time of order acknowledgement, including those pertaining to warranty, patent infringement, and limitation of liability.

TI warrants performance of its semiconductor products to the specifications applicable at the time of sale in accordance with TI's standard warranty. Testing and other quality control techniques are utilized to the extent TI deems necessary to support this warranty. Specific testing of all parameters of each device is not necessarily performed, except those mandated by government requirements.

CERTAIN APPLICATIONS USING SEMICONDUCTOR PRODUCTS MAY INVOLVE POTENTIAL RISKS OF DEATH, PERSONAL INJURY, OR SEVERE PROPERTY OR ENVIRONMENTAL DAMAGE ("CRITICAL APPLICATIONS"). TI SEMICONDUCTOR PRODUCTS ARE NOT DESIGNED, AUTHORIZED, OR WARRANTED TO BE SUITABLE FOR USE IN LIFE-SUPPORT DEVICES OR SYSTEMS OR OTHER CRITICAL APPLICATIONS. INCLUSION OF TI PRODUCTS IN SUCH APPLICATIONS IS UNDERSTOOD TO BE FULLY AT THE CUSTOMER'S RISK.

In order to minimize risks associated with the customer's applications, adequate design and operating safeguards must be provided by the customer to minimize inherent or procedural hazards.

TI assumes no liability for applications assistance or customer product design. TI does not warrant or represent that any license, either express or implied, is granted under any patent right, copyright, mask work right, or other intellectual property right of TI covering or relating to any combination, machine, or process in which such semiconductor products or services might be or are used. TI's publication of information regarding any third party's products or services does not constitute TI's approval, warranty or endorsement thereof.

Contents

1	Introduction	1
2	The Board	1
2.1	TMS320C54x Starter Kit	1
2.2	TLV1562EVM	2
2.3	ADC TLV1562 Overview	2
2.3.1	Suggestions for the 'C54x to TLV1562 Interface	2
2.3.2	Recyclic Architecture	3
2.3.3	Note on the Interface, Using an External ADC Clock Drive	4
2.4	Onboard Components	4
2.4.1	TLC5618 – Serial DAC	4
2.4.2	TLV5651 – Parallel DAC	5
3	Operational Overview	6
3.1	Reference Voltage Inputs	6
3.2	Input Data Bits	6
3.3	Connections Between the DSP and the EVM	7
3.3.1	Jumpers Used on the TLV1562EVM	8
4	The Serial DAC/DSP System	9
5	The DSP Serial Port	10
6	Other DSP/TLV1562 Signals	11
6.1	DSP Internal Serial Port Operation	11
7	Conversation Between the TLV1562 and the DSP	12
7.1	Writing to the ADC	12
7.2	Mono Interrupt Driven Mode Using \overline{RD}	12
7.3	Mono Interrupt Driven Mode Using \overline{CSTART}	14
7.4	Dual Interrupt Driven Mode	15
7.5	Mono Continuous Mode	16
7.6	Dual Continuous Mode	17
8	Software Overview	18
8.1	Software Development tools	18
8.2	DSP Memory Map	18
8.3	Programming Strategies for the 'C54x, Explanations	20
8.3.1	Optimizing CPU Resources for Maximum Data Rates	20
8.3.2	Address and Data Bus for I/O Tasks	20
8.3.3	Timer Output	20
8.3.4	Data Page Pointer	21
8.3.5	Generating the Chip Select Signal and the \overline{CSTART} Signal	21
8.3.6	Interfacing the Serial DAC 5618 to the DSP	21
8.3.7	Interrupt Latency	22
8.3.8	Branch Optimization (goto/dgoto, call/dcall, ...)	22
8.3.9	Enabling Software Modules (.if/.elseif/.endif)	23
8.4	Software Code Explanation	23
8.4.1	Software Principals of the Interface	23
8.5	Flow Charts and Comments for All Software Modes	27
8.5.1	The Mono Interrupt Driven Mode Using \overline{RD} to Start Conversion	27
8.5.2	Mono Interrupt Driven Mode Using \overline{CSTART} to Start Conversion	30
8.5.3	Dual Interrupt Driven Mode	33
8.5.4	Mono Continuous Mode	36

8.5.5	Dual Continuous Mode	38
8.5.6	C-Callable With Mono Interrupt Driven Mode Using $\overline{\text{CSTART}}$ to Start Conversion	40
8.6	Source Code	41
8.6.1	Common Software for all Modes (except C-Callable)	41
8.6.2	Mono Mode Interrupt Driven Software Using $\overline{\text{RD}}$ to Start Conversion	46
8.6.3	Calibration of the ADC	53
8.6.4	Mono Mode Interrupt Driven Software Using $\overline{\text{CSTART}}$ to Start Conversion	58
8.6.5	Dual Interrupt Driven Mode	66
8.6.6	Mono Continuous Mode	74
8.6.7	Dual Continuous Mode	80
8.6.8	C-Callable	86
9	Summary	93
10	References	93

List of Figures

1 TLV1562 – DSP Interface of the EVM, Using \overline{RD} or the \overline{CSTART} Signal to Start Conversion 2

2 TLV1562 – DSP Interface of the EVM, Using \overline{RD} or the \overline{CSTART} Signal to Start Conversion 3

3 TLC5618 – DSP Interface 5

4 TLC5651 – DSP Interface 5

5 Memory Map 19

6 Software Flow of the Mono Interrupt Driven Solution 29

7 Flow Chart Mono Interrupt Driven Mode Using \overline{CSTART} to Start Conversion 31

8 Time Optimization (monocst1) Maximum Performance at 12 MSPS with Internal Clock 33

9 Flow Chart Dual Interrupt Driven Mode (Using \overline{CSTART}) to Start Conversion 35

10 Flow Chart Mono Continuous Mode 37

11 Flow Chart Dual Continuous Mode 39

List of Tables

1 Signal Connections 7

2 3-Position Jumpers 8

3 2-Position Jumpers 8

4 DSP/DAC Interconnection 9

5 DSP Serial Port Signals and Registers 10

6 DSP Algorithm for Writing to the ADC 12

7 DSP Algorithm for Mono Interrupt Driven Mode Using \overline{RD} 13

8 DSP Algorithm for Mono Interrupt Driven Mode Using \overline{CSTART} 14

9 DSP Algorithm for Dual Interrupt Driven Mode 15

10 DSP Algorithm for Mono Continuous Mode 16

11 DSP Algorithm for Dual Continuous Mode 17

12 Switch Settings 26

13 Instruction in the Program Header (Step 1) 26

14 Instruction in the Program Header (Step 1) 27

Interfacing the TLV1562 Parallel ADC to the TMS320C54x DSP

Falk Aliche and Perry Miller

ABSTRACT

In this application report we discuss the hardware and software interface of the TLV1562, 10-bit parallel-output analog-to-digital converter (ADC) to the TMS320C54x digital signal processor (DSP). The hardware interface board, or evaluation module (EVM) consists of the TLV1562 10-bit ADC, a THS5651 10-bit parallel output communication digital-to-analog converter (CommsDAC™) and a TLC5618A serial-output digital-to-analog converter (DAC).

Following the discussion of the ADC we explain the need for both the THS5651 CommsDAC and the TLC5618A serial DAC.

The application report concludes with several software application examples and recommendations for simplifying the software through modifications of the DSP hardware interface circuit.

1 Introduction

The analog-to-digital (A/D) interface can present a significant design problem because hardware and software must work together across the interface to produce a usable, complete design. This application report provides a design solution for the interface between the TLV1562 10-bit parallel-output analog-to-digital converter (ADC) and the TMS320C54x digital signal processor (DSP).

The report describes the hardware and software needed to interface the 'C54x DSP to the TLV1562 ADC, which is intended for applications, such as industrial control and signal intelligence in which large amounts of data must be processed quickly. The first sections describe the basic operation of the TLV1562. For additional information see the *References* section at the end of this report.

2 The Board

The TLV1562 evaluation module (EVM) is a four-layer printed circuit board (PCB) constructed from FR4 material. The PCB dimensions are 180 mm × 112 mm × 12 mm. Ribbon cables are used to interface the TLV1562EVM to the TMS320C54x DSK plus starter kit.

2.1 TMS320C54x Starter Kit

The starter kit simplifies the task of interfacing to the 'C54x processor. It comes with an ADC for voice bandwidth, and GoDSP code explorer as the software tool. A 10-MHz oscillator provides the clock signal to allow 40-MHz internal DSP clock cycles generated by the internal DSP PLL. Therefore, the board provides 40 MIPS of processing power.

Ribbon cables are used to connect the DSP with the EVM. Detailed descriptions of all connections are given later in this report.

2.2 TLV1562EVM

The TLV1562EVM gives customers an easy start with employing many of the features of this converter. A serial DAC (TLC5618A), a parallel DAC (THS5651), and the ADC (TLV1562) make this EVM flexible enough to test the features of the TLV1562. It also helps show how this ADC can be implemented.

2.3 ADC TLV1562 Overview

The TLV1562 is a CMOS 10-bit high-speed programmable resolution analog-to-digital converter, using a low-power recyclic architecture.

The converter provides two differential or four single-ended inputs to interface the analog input signals.

On the digital side, the device has a chip-select (\overline{CS}), input clock (CLKIN), sample/conversion start signal (\overline{CSTART}), read signal input (\overline{RD}), write signal input (\overline{WR}), and 10 parallel data I/O lines (D9:0).

The converter integrates the \overline{CSTART} signal to coordinate sampling and conversion timing without using the parallel bus. Since the TMS320C542 DSP has no second general-purpose output, this signal is generated with the signal (\overline{CSTART}) from the address decoder.

2.3.1 Suggestions for the 'C54x to TLV1562 Interface

The following paragraphs describe two suggested interfaces between the 'C54x and the TLV1562.

2.3.1.1 The Universal Interface

The schematic in Figure 1 shows the pin-to-pin connections between the TLV1562 and 'C54x, realized on the EVM. This routing can test the converter in each mode. One I/O-wait state is required for write operations to the ADC. The read sequence from the ADC does not require any wait states because the \overline{RD} signal is generated with XF.

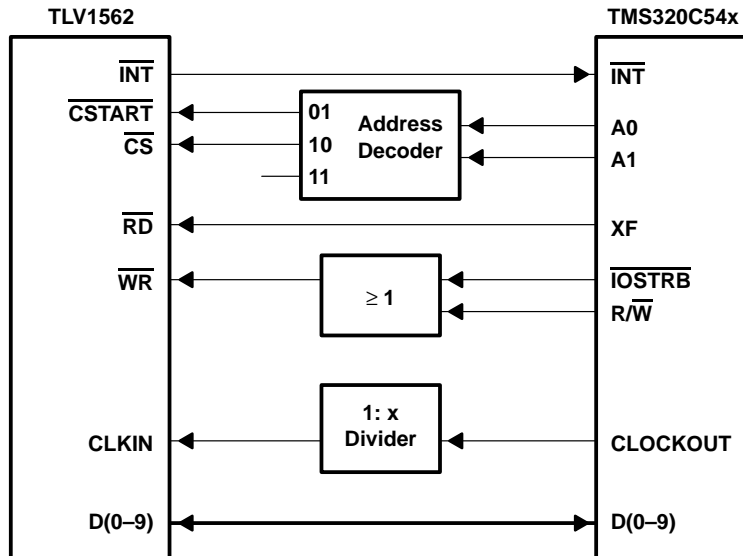


Figure 1. TLV1562 to 'C54x DSP Interface of the EVM, Using \overline{RD} or the \overline{CSTART} Signal to Start Conversion

2.3.1.2 Simplification of Software Requirements Through Modified Interface

Of all the TLV1562 modes of operation, only the mono interrupt driven mode uses the \overline{RD} signal to start the conversion. This requires a very flexible handling of the read signal and therefore has to be performed by a general-purpose output signal. If the application excludes using the \overline{RD} signal to start the conversion (using \overline{CSTART} instead). The TLV1562 \overline{RD} input signal can be generated with an OR gate, whose inputs are driven by \overline{IOSTRB} and R/\overline{W} signals from the DSP (see Figure 2).

Using these connections saves the programming steps of setting/resetting \overline{RD} with the XF signal. Another advantage is having XF available to control the \overline{CSTART} signal. This saves busy times on the address bus (in Figure 1, \overline{CSTART} was generated through A0/A1.) and simplifies the software code.

CAUTION:

The time $t_{EN(DATAOUT)}$ between the \overline{RD} high-to-low transition (generated by the DSP) and the arrival of valid ADC output data on the data bus is related to the capacitive load of the bus. In most cases, the ADC come out of the 3-state mode and supplies the correct voltage levels onto the bus lines in less than 50 ns. Thus, the minimum number of I/O-wait states becomes two (for $t_{EN(DATAOUT)} \leq 50$ ns).

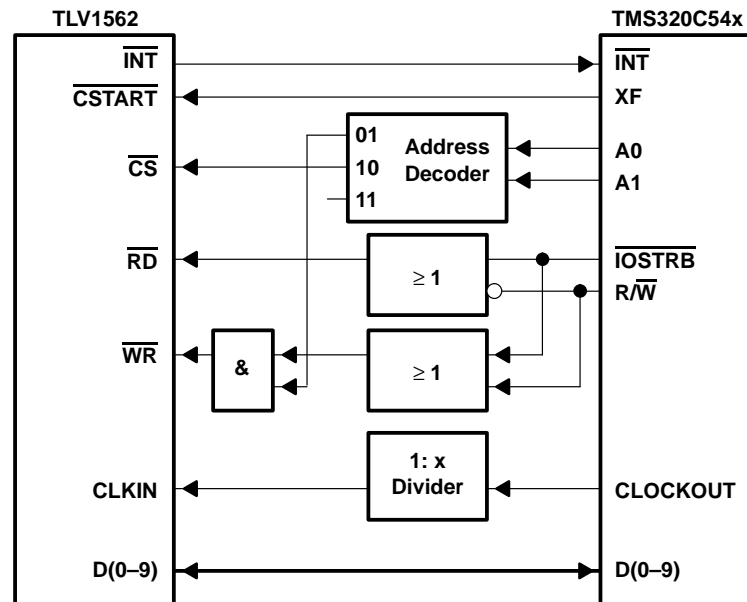


Figure 2. TLV1562 to 'C54x DSP Interface of the EVM, Using \overline{RD} or the \overline{CSTART} Signal to Start Conversion

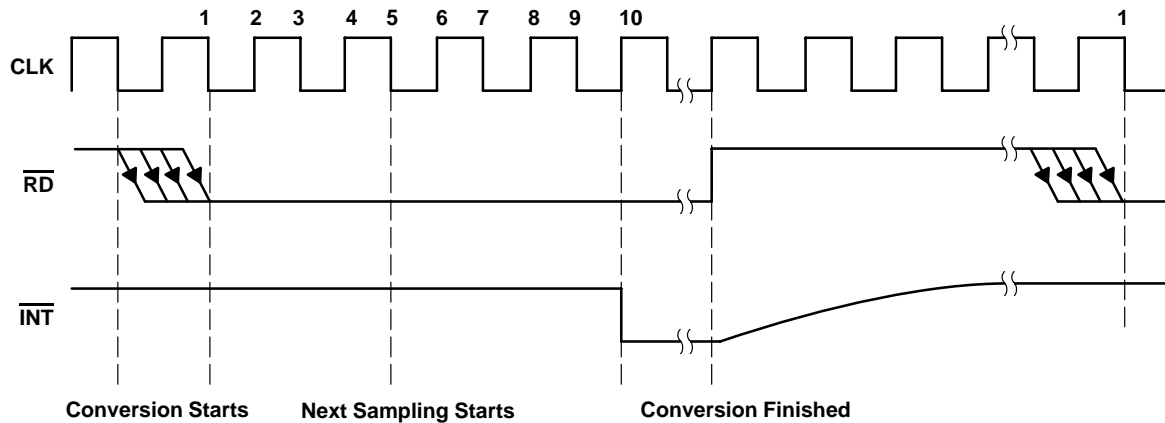
2.3.2 Recyclic Architecture

One specialty of this ADC is its recyclic architecture. Instead of limiting the device power by the highest possible resolution at the fastest speed, this converter is able to work at three maximum speeds for three resolutions. The highest resolution runs at 2MSPS maximum throughput rate; 8-bit resolution corresponds to 3MSPS, and 4-bit resolution to 7MSPS.

This feature fits well into monitoring application. For example, the ADC may have to trigger on one event out of some channels inside an extremely small time window and then sample the correct channel with a higher resolution, but lower throughput to analyze this process. This feature also fits well into home security applications or applications that must monitor several inputs simultaneously.

2.3.3 Note on the Interface, Using an External ADC Clock Drive

The TLV1562 data sheet (Figure 9) shows that \overline{RD} has to fall as close as possible to the falling edge of the clock signal. The user must adhere to this timing, otherwise the conversion result may be wrong. The user may not recognize the erroneous result, since the ADC will signal that the conversion has finished during the logic low transition of the \overline{INT} signal. The following timing diagram shows the interface behavior of the ADC whether the timing is correct or not. The following figure shows what happens when the \overline{RD} falling edge is timed wrong. Although \overline{RD} falls nearly 1/2 of one cycle too late, the conversion result is valid on the 5th clock cycle.



2.4 Onboard Components

These sections describe the EVM onboard components.

2.4.1 TLC5618A – Serial DAC

This 12-bit DAC has a serial interface that can run at 20-MHz clock; therefore, it can update the output at 1.21 MSPS. Two outputs are available on the 8-pin package. The buffered SPI of the DSP provides the DSP interface. Using the auto-buffer mode, updating the data on the DAC requires only four CPU instructions/samples.

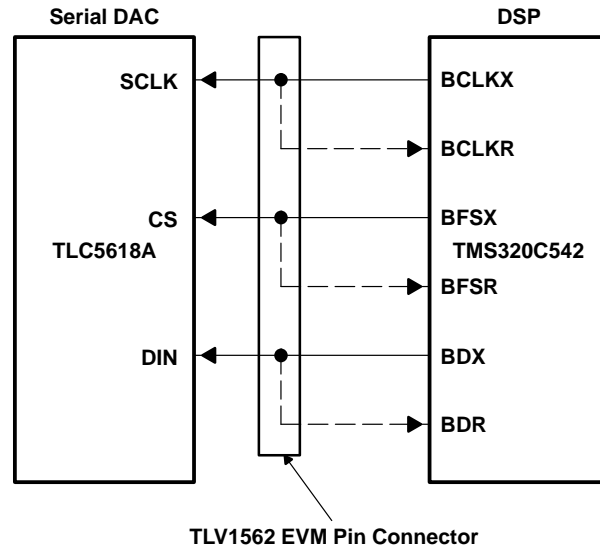


Figure 3. TLC5618A to 'C542 DSP Interface

2.4.2 THS5651 – Parallel Output CommsDAC

This 10-bit data converter has a parallel interface and is able to update its output with 100 MSPS. The two outputs on the 28-pin package can each drive a current between 2 mA and 20 mA with an output resistance >100 k Ω (ideal current source: output impedance $\rightarrow \infty$). The data bus and the address decoder provide the interface to the DSP.

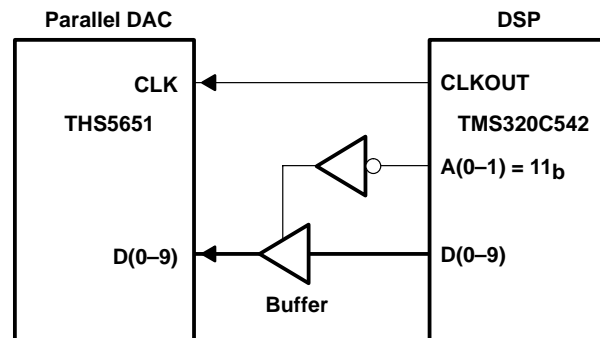


Figure 4. THS5651 to C542 DSP Interface

3 Operational Overview

This chapter discusses the software and hardware interface for the TLV1562. Plus the overall operational sequence of the A/D interface is described.

3.1 Reference Voltage Inputs

The voltage difference between the VREFP and VREFM terminals determines the analog input range, i.e., the upper and lower limits of the analog inputs that produce the full-scale (output data all 1s) and zero-scale (output data all 0s) readings, respectively.

For design reasons, this high-speed sampling ADC does not have a ground-referenced input voltage range. Hence, level shifting is required unless the application allows the signal to be ac coupled. Level shifting could be done with single-supply op amps.

The absolute voltage values applied to VREFP, VREFM, and the analog input should not be greater than the AV_{DD} supply minus 1 V, or lower than 0.8 V. Other input restrictions apply so consult the TLV1562 data sheet for further information. The digital output is full scale when the analog input is equal to or greater than the voltage on VREFP, and is zero scale when the input signal is equal to or lower than VREFM.

3.2 Input Data Bits

The ADC contains the two user-accessible registers, CR0 and CR1. All user defined features such as conversion mode, data output format or sample size are programmed in CR0 and CR1. The data acquisition process must be started by writing to these two registers. After this initialization, the converter processes data in the same configuration until these registers are overwritten.

3.3 Connections Between the DSP and the EVM

The following connections provide the interface between the DSP and the EVM:

Table 1. Signal Connections

DSP Signal	Connector/Pin on the DSKplus circuit board	Connector/Pin on the TLV1562EVM	ADC Signal
General			
GND	Connector JP4: Pin 1, 10, 11, 12, 14, 15, 19, 20, 21, 27, 34, 35 Connector JP5: Pin 6, 10, 11, 12	J10/2,J10/4,...,J10/34 J11/4,J11/6,...,J11/26	GND
VCC	JP1/32	N/A	VCC
Parallel Interface			
CLKOUT	JP3/2	J11/11	CLKIN
$\overline{\text{INT0}}$	JP5/1	J11/5	$\overline{\text{INT}}$
XF	JP4/8	J11/3	$\overline{\text{RD}}$
R/W	JP4/30	J11/9	decoded to the $\overline{\text{WR}}$ line
$\overline{\text{IOSTRB}}$	JP4/36	J11/7	decoded to the $\overline{\text{WR}}$ line
A0	JP5/34	J11/2	addr. decoder for $\overline{\text{CS}}$ and $\overline{\text{CSTART}}$
A1	JP5/35	J11/1	addr. decoder for $\overline{\text{CS}}$ and $\overline{\text{CSTART}}$
D0	JP3/35	J10/13	D0
D1	JP3/34	J10/15	D1
D2	JP3/8	J10/17	D2
D3	JP3/12	J10/19	D3
D4	JP3/11	J10/21	D4
D5	JP3/15	J10/23	D5
D6	JP3/14	J10/25	D6
D7	JP3/18	J10/27	D7
D8	JP3/17	J10/29	D8
D9	JP3/21	J10/31	D9
Serial Interface to the DAC TLC5618A			
BCLKR	JP1/14	J11/25	SCLK
BCLKX	JP1/17	J11/23	SCLK
BFSR	JP1/20	J11/21	CS
BFSX	JP1/23	J11/19	CS
BDR	JP1/26	J11/17	DIN
BDX	JP1/29	J11/15	DIN

Signals D[9–0] of the TLV1562 and D[9–0] of the DSP are tied together in this application to simplify hardware debugging during the development phase. However, if the 2s complement feature of the DAC is to be used, it is easier to connect D[15–6] of the DSP with D[9–0] of the ADC. A simple right shift of the result then evaluates the result when sign extension mode (SXM) is enabled.

3.3.1 Jumpers Used on the TLV1562EVM

Table 2. 3-Position Jumpers

JUMPER	GENERAL DESCRIPTION	PIN 1-2	PIN 2-3
W1	Connects BP/CH3 (ADC) to R45 or GND;	Input not in use, grounded to reduce noise	Use as single input channel3 or differential input positive channel B
W2	Connects BM/CH4 (ADC) to R44 or GND;	Input not in use, grounded to reduce noise	Use as single input channel4 or differential input negative channel B
W3	Connects \overline{RD} to XF or /RD1	Logic generator is connected to the ADC	DSP is connected to the ADC
W4	$\overline{WR} + \overline{WR1}$ is connected with DSP_ \overline{WR} or U12-J9/3	Logic generator is connected to the ADC	DSP is connected to the ADC
W5 W6 W7	The three Jumpers define the prescaling of the CLKOUT signal to the MCB_CLK Pin, if W8 is set to Counter-Mode		
W8	MCB_CLK is connected to BUFCLK (U14) or $\overline{RD1}$ (U11)	Counter-Mode (MCB_CLK signal is divided by the counter, set-up with Jumper W(5-7))	Counter-Mode disabled (MCB_CLK is synchronize with the CLKOUT signal)
W9	CLK input of the Counter (U2) is connected with CLKOUT or CLKOUT/2	The counter is toggled by the DSP system clock (signal BUFF_CLK)	The counter's clock is prescaled by two (toggled by half the DSP system clock (CLKOUT2))
W10	ADC CLKIN is connected to CLK/2 or CLK/4	The ADC clock runs at a quarter of the DSP clock frequency (10 MHz)	The ADC clock runs at half the DSP clock frequency (20 MHz)
W11	Connects AP/CH1 (ADC) to R48 or GND;	Input not in use, grounded to reduce noise	Use as single input channel 1 or differential input positive channel A
W12	Connects AM/CH2 (ADC) to R47 or GND;	Input not in use, grounded to reduce noise	Use as single input channel 2 or differential input negative channel A
W13	Connects REFLO (TLV5651) to Vcc or GND	Disable internal reference	Enable internal reference
W14	Connects SCLK (TLC5618AA) to BCLKX or J8 (BNC)	Normal DSP mode	An external clock source drives the SCLK pin instead of the DSP
W15	Connects CLK (TLV5651) to CLKOUT (DSP) or J7 (BNC)	Normal DSP mode	An external clock source drives the CLK pin instead of the DSP
W23	Connects CSTART to A0, A1, or XF	A0 and A1 used to generate ADC CSTART signal	XF signal connects to CSTART pin
W24	Connects DSP_ \overline{RD} to XF or \overline{IOSTRB} , ORed with $\overline{R/W}$ from the DSP	XF signal connected to ADC \overline{RD} pin	\overline{RD} pin driven by \overline{IOSTRB} ORed with $\overline{R/W}$

Table 3. 2-Position Jumpers

JUMPER	GENERAL DESCRIPTION	PINS SHORTED	PINS OPEN
W16	Connects Mode input (TLV 5651) to GND	MODE 0 is chosen (binary data input)	MODE 1 is chosen (2s complement data input)
W17	Connects REFIO (TLV5651) to VREF1 or leaves the REFIO pin decoupled to GND via a 0.1 μ F capacitor	Use as external reference voltage input	Use as internal reference voltage output with this pin terminated into GND in series with 0.1 pF
W18	Connects DIR (U19) to GND or leaves the DIR pin connected to \overline{WR}	ADC can only write but not read to the data bus	Normal operation mode
W19	Connects \overline{OE} (U19) to GND or leaves the \overline{OE} pin connected to \overline{CS}	Output driver is isolated and disabled (no signal can bus through the data bus)	Normal operation mode
W20	Connects BDX to BDR or leaves BDR open	DSP BDR pin gets a shortcuted feedback from the BDX (transmit) pin; normal mode	BDR remains open
W21	Connects BSFX to BSFR or leaves BCLKR open	DSP BSFR pin gets a shortcuted feedback from the BSFX (transmit) pin; normal mode	BSFR remains open
W22	Connects BCLKX backwards with BCLKR or leaves it open	DSP BCLKR pin gets a shortcuted feedback from the BCLKX (transmit) pin; normal mode	BCLKR remains open
W28	Connect Sleep input (TLV5651/5 GND)	Normal mode of operation	Sleep mode selected

4 The Serial DAC/DSP System

The software configures the buffered DSP serial port to the 16-bit master mode so that the DSP generates the frame sync signal at BFSX and the data clock at BCLKX serial port terminals. Table 4 shows the connections between the DSP and the DAC TLC5618A.

Table 4. DSP/DAC Interconnection

FROM DSP	TO DSP	TO DAC
BFSX	BFSR	CS
BCLKX	CLKR	I/O CLK
BDX	BDR	DATA IN

The following statements describe the generation and application of the configuration and control signals.

- The DSP BCLKX output provides a 20-MHz data clock, which is a divide-by-2 of the DSP master clock.
- The DSP BDX output supplies the 16-bit control and data move to the TLC5618A at DATA IN.
- The DSP BFSX frame synchronization signal, connected to \overline{CS} , triggers the start of a new frame of data.

After the falling edge of FSX, the next 16 data clocks transfer data into the DSP DR terminal and out of the DX terminal. Since this DSP/DAC interface is synchronous, the FSX signal is sent to the FSR terminal, and the CLKX is sent to the CLKR terminal.

5 The DSP Serial Port

The buffered serial port provides direct communication with serial I/O devices and consists of six basic signals and five registers. The DSP internal serial port operation section discusses the registers.

The six signals are:

- BCLKX - The serial transmit clock. This signal clocks the transmitted data from the BDX terminal to the DIN terminal of the TLC5618A.
- BCLKR - The serial receive clock. This signal clocks data into the DSP BDR terminal. Since the DAC does not send any information back to the DSP, this signal is not important.
- BDX - Data transmit. From this terminal the DSP transmits 16-bit data to the DIN terminal of the TLC5618A.
- BDR - Data receive – not in use
- BFSX - Frame sync transmit. This signal frames the transmit data. The DSP begins to transmit data from BDX on the falling edge of BFSX and continues to transmit data for the next 16 clock cycles from the BCLKX terminal. The BFSX signal is applied to the TLC5618A \overline{CS} terminal.
- BFSR - Frame sync receive. This signal frames the receive data. The DSP begins to receive data on the falling edge of BFSR and continues to recognize valid data for the following 16 clocks from BCLKR. This signal is not important for this application.

Table 5 lists the serial port pins and registers.

Table 5. DSP Serial Port Signals and Registers

PINS	DESCRIPTION	REGISTERS	DESCRIPTION
BCLKX	Transmit clock signal	BSPC	Serial port control register
BCLKR	Receive clock signal	BSPCE	extended BSPC
BDX	Transmitted serial data signal	BDXR	Data transmit register
BDR	Received serial data signal	BDRR	Data receive register
BFSX	Transmit frame synchronization signal	BXSR	Transmit shift register
BFSR	Receive frame synchronization signal	BRSR	Receive shift register
		AXR	Buffer start location
		BKX	Buffer size

For this application the DSP buffered serial port is programmed as the master, so the BCLKX output is fed to the BCLKR terminal and the BFSX output is fed to the BFSR terminal.

6 Other DSP/TLV1562 Signals

These paragraphs describe other DSP and TLV1562 signals.

6.1 DSP Internal Serial Port Operation

Three signals are necessary to connect the transmit pins of the transmitting device with the receive pins of the receiving device for data transmission. The transmitted serial data signal (BDX) sends the actual data. BFSX initiates the transfer (at the beginning of the packet), and BCLKX clocks the bit transfer. The corresponding pins on the receive device are BDR, BFSR and BCLKR, respectively.

The transmit is executed by the autobuffer mode. This means there is no need to write to the serial port output buffer. Instead, the DSP continuously sends the data, located in the memory beginning on AXR. When all data are sent (defined by the buffer length in BXR), the first word (pointed to by AXR) is sent again. Therefore, the program has only to store the samples into this memory location. The rest of the task is handled in the background, using no CPU power.

7 Conversation Between the TLV1562 and the DSP

The complexity of the TLV1562 ADC may be confusing because of the number of possible modes to drive the protocol between DSP and ADC. The following paragraphs explain more about the data sheet descriptions for interfacing the 'C54x to the ADC.

7.1 Writing to the ADC

Registers CR0 and CR1 must be set to choose any of the modes the TLV1562 offers. Therefore, a write sequence must be performed from the DSP to the ADC.

After selecting the ADC (\overline{CS} low), a high-low transition of the \overline{WR} line tells the converter that something is to be written to the data port.

Table 6. DSP Algorithm for Writing to the ADC

STEPS	TIMING, NOTES
1. Set one DSP I/O waitstate	Make timing between 40 MHz C54x CPU compatible with the TLV1562
2. Clear \overline{CS}	Select ADC
3. Send out data on the bus	The signal \overline{WR} is automatically handled by the DSP
4. Set \overline{CS}	Deselect ADC

7.2 Mono Interrupt Driven Mode Using \overline{RD}

This mode is used when the application needs to sample one channel at a time and performs the sampling, conversion, and serial transmission steps only once. Although this mode produces continuous sampling data, the use of other modes is recommended. One reason is the \overline{CS} signal has to stay low during the whole sampling/conversion time. An interesting advantage of this mode is its ability to control the start-sample time.

The \overline{RD} signal controls the sampling and converting. Every falling edge of \overline{RD} stops the sampling process (disconnects the capacitor from the input signal) and starts the signal conversion. After two ADCSYSSCLKs, the sampling capacitor gets connected back to the input signal to do the next sampling. The conversion time needs five ADCSYSCLKs to finish the conversion before it gets written to the data port.

During configuration, the rising edge of \overline{WR} starts the sampling.

Also, when conversion is finished, the ADC clears the \overline{INT} signal purposes. Next the ADC writes the conversion result to the data port. The rising edge of \overline{RD} resets this status; in other words, the \overline{INT} signal goes back to logic high and the conversion result on the data port becomes invalid (the ADC data port gets 3-stated).

The configuration data needs to be written only once to the ADC. After this, toggling the \overline{RD} signal runs the ADC in a sampling/conversion/sending mode and the \overline{RD} signal releases every new cycle.

Table 7. DSP Algorithm for Mono Interrupt Driven Mode Using \overline{RD}

STEPS	TIMING, NOTES	Wait cycles for the DSP internally (40 MHz DSPCLK):			
		APD=0 ADCSYCLK = 7.5 MHz	APD=0 ADCSYCLK = 10 MHz	APD=1 ADCSYCLK = 10 MHz	APD=1 ADCSYCLK = 10 MHz
0. Initialization Write all configuration data to the ADC	activate the mono interrupt-driven mode in CR0(2;3)				
1. set \overline{CS}	deselect ADC (optional with APD=0)				
2. clear \overline{CS}	Select ADC (Note: if Hardware Auto power down is enabled, Chip select has to be used, otherwise CS can be left high)				
3. Wait for $t_{D(CSL-sample)}+1ADCSYSCLK$	$t_{D(CSL-sample)} = 5ns$ (APD=0) $t_{D(CSL-sample)} = 500ns$ (APD=1)	≥6	≥5	≥26	≥25
4. Clear \overline{RD}	ADC goes over from sampling into conversion				
5. Wait until \overline{INT} goes low	alternative: ignore the \overline{INT} signal, wait 49 ns+5(6) ADCSYSCLK and goto step number 7	≥34	≥22	≥34	≥22
6. Wait the time $t_{EN(DATAOUT)}$	$t_{EN(DATAOUT)} = 41 ns$	≥2	≥2	≥2	≥2
7. Read sample out from the data port; Reset RD signal					
8. Goto step 1 or step 3 (if APD=0) for more samples					

7.3 Mono Interrupt Driven Mode Using $\overline{\text{CSTART}}$

Use the $\overline{\text{CSTART}}$ signal when two or more ADCs must sample/convert signals at the same time. Instead of the $\overline{\text{RD}}$ signal, the timing for sampling and converting is started with the edges of the $\overline{\text{CSTART}}$ signal. The $\overline{\text{RD}}$ signal is still required to get the data out of the ADC and onto the bus.

Table 8. DSP Algorithm for Mono Interrupt Driven Mode Using $\overline{\text{CSTART}}$

STEPS	TIMING, NOTES	Wait cycles for the DSP internally (40MHz DSPCLK):			
		APD=0 ADCSYCLK = 7.5 MHz	APD=0 ADCSYCLK = 10 MHz	APD=1 ADCSYCLK = 10 MHz	APD=1 ADCSYCLK = 10 MHz
1. Set $\overline{\text{CS}}$	Deselect ADC				
2. Clear $\overline{\text{CSTART}}$	t_{is} starts sampling				
3. Wait for $t_{\text{W}}(\overline{\text{CSTARTL}})$	$t_{\text{W}}(\overline{\text{CSTARTL}}) = 100 \text{ ns}$ (APD=0) $t_{\text{W}}(\overline{\text{CSTARTL}}) = 600 \text{ ns}$ (APD=1)	≥ 4	≥ 4	≥ 24	≥ 24
4. Set $\overline{\text{CSTART}}$	This starts the conversion				
5. Wait until $\overline{\text{INT}}$ goes low	<i>Alternative:</i> ignore the $\overline{\text{INT}}$ signal, wait $14\text{ns} + 5 \text{ ADCSYSCLK}$ and goto step number 7	≥ 33	≥ 21	≥ 33	≥ 21
6. Wait the time $t_{\text{D}}(\text{INTL-CS})$	$t_{\text{D}}(\text{INTL-CS}) = 10 \text{ ns}$	≥ 1	≥ 1	≥ 1	≥ 1
7. Clear $\overline{\text{CS}}$	Select the ADC				
8. Clear $\overline{\text{RD}}$	Start communication				
9. Wait the time $t_{\text{EN}}(\text{DATAOUT})$	$t_{\text{EN}}(\text{DATAOUT}) = 41 \text{ ns}$	≥ 2	≥ 2	≥ 2	≥ 2
10. Read sample out from the data port; Reset $\overline{\text{RD}}$ signal					
11. Set $\overline{\text{CS}}$	Deselect ADC				
12. Go to step 2 for the next samples					

7.4 Dual Interrupt Driven Mode

Using techniques similar to those described in the first two modes for sampling/converting/sending tasks, the dual mode samples two channels at the same time and sends out the results in series to the data port. The $\overline{\text{CSTART}}$ pin is used to start sampling and converting.

Table 9. DSP Algorithm for Dual Interrupt Driven Mode

STEPS	TIMING, NOTES	Wait cycles for the DSP internally (40MHz DSPCLK):			
		APD=0 ADCSYCLK = 7.5MHz	APD=0 ADCSYCLK = 10MHz	APD=1 ADCSYCLK = 10MHz	APD=1 ADCSYCLK = 10MHz
1. Set $\overline{\text{CS}}$	Deselect ADC				
2. Clear $\overline{\text{CSTART}}$	This starts sampling				
3. Wait for $t_{W(\text{CSTARTL})}$	$t_{W(\text{CSTARTL})} = 100\text{ns}$ (APD=0) $t_{W(\text{CSTARTL})} = 600\text{ns}$ (APD=1)	≥ 4	≥ 4	≥ 24	≥ 24
4. Set $\overline{\text{CSTART}}$	This starts the conversion				
5. Wait until $\overline{\text{INT}}$ goes low	<i>Alternative:</i> ignore the $\overline{\text{INT}}$ signal, wait $210\text{ns} + 10 \text{ ADCSYCLK}$ and go to step number 7	≥ 62	≥ 48	≥ 62	≥ 48
6. Wait the time $t_{D(\text{INTL-CSL})}$	$t_{D(\text{INTL-CSL})} = 10 \text{ ns}$	≥ 1	≥ 1	≥ 1	≥ 1
7. Clear $\overline{\text{CS}}$	Select the ADC				
8. Clear $\overline{\text{RD}}$	Start communication				
9. Wait the time $t_{\text{EN}(\text{DATAOUT})}$	$t_{\text{EN}(\text{DATAOUT})} = 41 \text{ ns}$	≥ 2	≥ 2	≥ 2	≥ 2
10. Read sample out from the data port; reset $\overline{\text{RD}}$ signal					
11. Wait $t_{W(\text{CSH})}$	$t_{W(\text{CSH})} = 50 \text{ ns}$	≥ 2	≥ 2	≥ 2	≥ 2
12. Clear $\overline{\text{RD}}$	Start communication				
13. Wait the time $t_{\text{EN}(\text{DATAOUT})}$	$t_{\text{EN}(\text{DATAOUT})} = 41 \text{ ns}$	≥ 2	≥ 2	≥ 2	≥ 2
14. Read sample out from the data port; reset $\overline{\text{RD}}$ signal					
15. Set $\overline{\text{CS}}$	Deselect ADC				
16. Goto step 2 for the next samples					

7.5 Mono Continuous Mode

This mode simplifies data acquisition, since there is no need to generate a signal to sample or convert data. Instead, initializing this mode once, the ADC sends out the data continuously and will be read by the DSP with the \overline{RD} signal.

CAUTION:
In this mode, the sampling result sent out by the ADC is the value of the sample from the last cycle. Therefore, the first sample after initialization is trash.

Table 10. DSP Algorithm for Mono Continuous Mode

STEPS	TIMING, NOTES	Wait cycles for the DSP internally (40MHz DSPCLK):			
		APD=0 ADCSYCLK = 7.5 MHz	APD=0 ADCSYCLK = 10 MHz	APD=1 ADCSYCLK = 10 MHz	APD=1 ADCSYCLK = 10 MHz
0. Initialization Write all configuration data to the ADC	Activate the mono continuous mode in CR0(2;3)			N/A	N/A
1. Set \overline{CS}	Deselect ADC			N/A	N/A
2. wait for $t_{(SAMPLE1)}$	$t_{(SAMPLE1)} = 100 \text{ ns}$	≥ 4	≥ 4	N/A	N/A
3. Clear \overline{CS}	Select ADC			N/A	N/A
4. Clear \overline{RD}	Start conversion			N/A	N/A
5. Wait the time $t_{EN(DATAOUT)}$	$t_{EN(DATAOUT)} = 41 \text{ ns}$	≥ 2	≥ 2	N/A	N/A
6. Read sample out from the data port; reset \overline{RD} signal	(Caution: the first result after initialization is trash)			N/A	N/A
7. Wait for the time $t_{(CONV1)}$ minus step 7 and 8 to ensure 5(6) ADC-SYSCLK	$t_{(CONV1)} = 5(6) \text{ ADCSYSCLK}$; since step 7 and 8 take at least 4 DSPSYSCLK, the calculation are 5(6) ADCSYSCLK minus 100 ns	≥ 23	≥ 16	N/A	N/A
8. Go to step 4 for more samples				N/A	N/A

7.6 Dual Continuous Mode

The dual continuous mode provides a data stream of two input signals. The characteristic of the data protocol is similar to the mono continuous mode but with the use of two \overline{RD} cycles for one sample/hold cycle.

CAUTION:
In this mode, the sampling result sent out by the ADC is the value of the sample from the last cycle. Therefore, the first sample after initialization is trash.

Table 11. DSP Algorithm for Dual Continuous Mode

STEPS	TIMING, NOTES	Wait cycles for the DSP internally (40MHz DSPCLK):			
		APD=0 ADCSYCLK = 7.5 MHz	APD=0 ADCSYCLK = 10 MHz	APD=1 ADCSYCLK = 10 MHz	APD=1 ADCSYCLK = 10 MHz
0. Initialization				N/A	N/A
Write all configuration data to the ADC	Activate the dual continuous mode in CR0(2;3)			N/A	N/A
1. Set \overline{CS}	deselect ADC			N/A	N/A
2. Wait for $t_{(SAMPLE1)}$	$t_{(SAMPLE1)} = 100 \text{ ns}$	≥ 4	≥ 4	N/A	N/A
3. Clear \overline{CS}	Select ADC			N/A	N/A
4. Clear \overline{RD}	Start conversion				
5. Wait the time $t_{EN(DATAOUT)}$	$t_{EN(DATAOUT)} = 41 \text{ ns}$	≥ 2	≥ 2	N/A	N/A
6. Read first sample out from the data port; reset \overline{RD} signal	(Caution: the first result after initialization is trash)			N/A	N/A
7. Wait for the time $t_{(CONV1)}$ minus step 7 and 8 to ensure 5(6) ADC-SYSCLK	$t_{(CONV1)} = 5(6) \text{ ADCSysclk}$; since step 7 and 8 take at least 4 DSPSYCLK, the calculation are 5(6)ADCSYCLK minus 100 ns	≥ 23	≥ 16	N/A	N/A
8. Clear \overline{RD}	Start conversion				
9. Wait the time $t_{EN(DATAOUT)}$	$t_{EN(DATAOUT)} = 41 \text{ ns}$	≥ 2	≥ 2	N/A	N/A
10. Read second sample out from the data port; reset \overline{RD} signal	(Caution: the first result after initialization is trash)			N/A	N/A
11. Wait for the time $t_{(CONV1)}$ minus step 7 and 8 to ensure 5(6) ADC-SYSCLK	$t_{(CONV1)} = 5(6) \text{ ADCSysclk}$; since step 7 and 8 take at least 4 DSPSYCLK, the calculation are 5(6)ADCSYCLK minus 100ns	≥ 23	≥ 16	N/A	N/A
12. Go to step 4 for more samples				N/A	N/A

8 Software Overview

The software in this report shows how to use all modes of the TLV1562 and useful variations for each mode. It also includes a C program to start data acquisition from a C level. To limit the number of programs, the report supplies five files for running the ADC in five modes; a sixth program shows the C-callable function. Each program can enable different software blocks to give the user a large choice for generating the data acquisition. For more details, see paragraph 8.3.9.

Instead of using numbers for memory addresses or constants, very often symbols replace the numbers. For that, the symbol (name) is assigned with the real value (number) in the file header. The advantage of doing this is the higher flexibility. Instead of changing a variable memory location in every related instruction, the value for this location is changed only once in the program header. This prevents software bugs from appearing through a forgotten correction of a related instruction.

```
BSPC_BUFFER_START    set 00800h        ; memory location (800h) for the
                                ; start address of the SPC buffer

@AXR = #(BSPC_BUFFER_START)        ; assign the starting address of auto
                                ; buffer
```

8.1 Software Development tools

The DSKplus Starter Kit of the TMS320C54x comes with a free compiler to generate an absolute object file from assembler code (DSKPLASM.EXE in the TMS320C54x DSKplus development tools). The object code is then loaded into the GoDSP software to run it on the kit.

An advanced version of this kit is the TMS320C54x Optimizing C Compiler/Assembler/Linker (for example: TMDS324L855-02). These tools allow generation of object code from C and assembler files. Furthermore, they also link the code to an executable COFF file. The software in this report was created with these tools.

For more information visit TI's Internet page at:

<http://www.ti.com/sc/docs/dsps/tools/c5000/c54x/index.htm>.

8.2 DSP Memory Map

Figure 6 shows the memory map assigned to the application.

PROGRAM MEMORY (on-chip DARAM 10k words (OVLY=1) from 0080h to 27FFh):

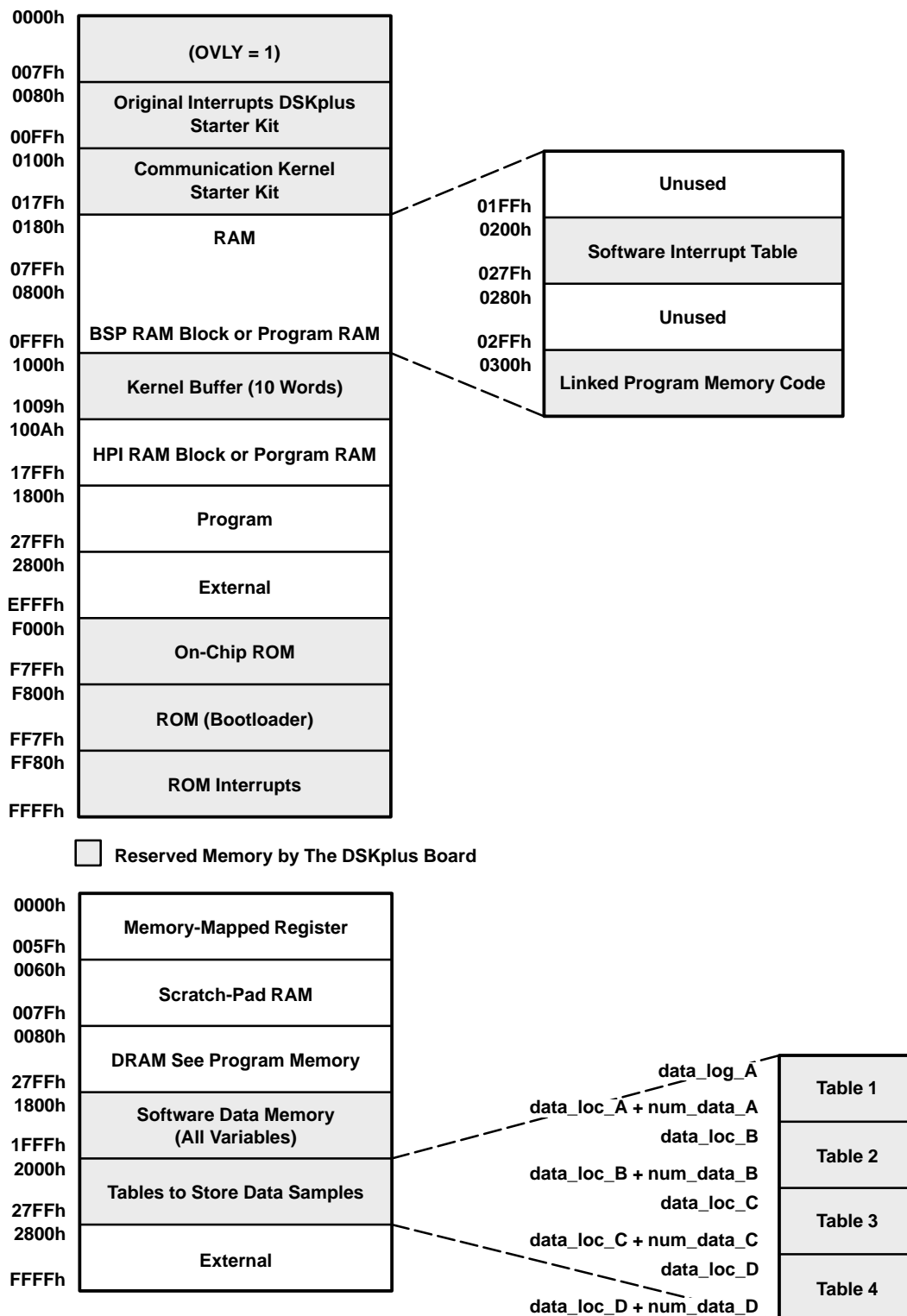


Figure 5. Memory Map

8.3 Programming Strategies for the 'C54x, Explanations

Before listing the program code, this chapter introduces some basic instructions (strategies) to provide the 'C54x user with some ideas for dealing with the DSP architecture.

8.3.1 Optimizing CPU Resources for Maximum Data Rates

The 'C54x processor on the DSKplus starter kit runs at an internal clock frequency of 40 MHz. Since the pipeline architecture allows most instructions to be executed in one cycle, the DSP provides up to 40 MIPS. However, some instructions, especially branch instructions, are not single cycle instructions; therefore, they lower the available CPU power. Because of the high transfer rate of the TLV1562 ADC, the software code must be optimized to test the full ADC performance. Since correct signal timing between DSP and ADC requires some instructions per sample, the CPU power required between two samples is very small.

The optimum case is to read a new sample, store it into memory, execute a customized task as it could be data filtering (FFT, FIR, IIR), and send a digital result to one of the DACs. Unfortunately, this task is impossible at the ADC's maximum throughput of 40 MIPS. Therefore, this software only stores the samples and optionally moves them out to the DACs. Enabling all options at the same time prevents the application from running at maximum throughput.

The following switches enable/disable these actions:

```
SAVE_INTO_MEMORY .set 00001h; set 1 to store the samples into memory
SEND_OUT_SERIAL .set 00001h; set 1 to send last sample to the serial DAC
SEND_OUT_PARALLEL .set 00001h; set 1 to send last sample out to the parallel DAC
```

8.3.2 Address and Data Bus for I/O Tasks

8.3.2.1 Writing

```
PORT(PA) = Smem
```

Writing something to the I/O bus uses the *port* instruction. PA sets the ADDRESS bus permanently to that value. *Smem* is a value from memory, transferred for one clock cycle to the DATA bus.

```
@send = #01234h          ; set the content of memory address send to 1234h
port(0FFFFh) = @send    ; set address bus to FFFFh and write 1234h for one cycle
                        ; on the DATA bus
```

8.3.2.2 Reading

```
Smem = PORT(PA)
```

Reading from the I/O bus. PA sets the ADDRESS bus. *Smem* is a memory cell, PA the address on the bus.

8.3.3 Timer Output

```
@TCR = #00010h          ; deactivate timer
@PRD = #00000h          ;
@TCR = #00C01h          ; set timer output toggling frequency to 1/2 CLKOUT
                        ; frequency ; and start toggling
```

The timer output pin TOUT can be used to generate an output function with a prescale from half the CLK frequency down to 1FFFF. The problem: the high-time is always one clock cycle and only the low time of the TOUT signal changes with the timer.

8.3.4 Data Page Pointer

```
DP = #0           ; load DP with 0
DP = #variable   ; point with DP to the page, where variable is stored
DP ≠ #register    ; error, this won't work, the DP gets not loaded with
                  ; register page, instead load DP with zero
```

If a register has to be written (example: IFR), the DP has to be loaded with zero since DP=#register will not work.

8.3.5 Generating the Chip Select Signal and the \overline{CSTART} Signal

```
port(CSTART) = @ZERO           ; clear CSTART- (CSTARTlow)
port(ADC) = @CRO_SEND          ; clear CS- (CSlow)
port(DEACTIVE) = @ZERO         ; set CS or CSTART back ( $\overline{CS}$  high or CSTARThigh)
```

The chip select signal and the \overline{CSTART} signal can be accessed using the address bus (decoder on A0/A1). The basic idea of having \overline{CSTART} was to allow ADC triggering for sampling/conversion purposes without having to use \overline{CS} (which always blocks the address bus). Since the 'C542 DSP does not have enough general purpose outputs, this application still uses the address bus to activate CSTART.

8.3.6 Interfacing the Serial DAC 5618A to the DSP

A buffered serial port on the 'C542 board interfaces the TLC5618A DAC. The advantage of using a buffered serial port compared to the standard port is the auto buffer mode. This allows the programmer to save CPU power. A background process takes the data from a defined memory location (table) and moves it out to the serial port. (An interrupt can be generated after sending out half or the full table content. However, disabling this interrupt and writing the new ADC samples into the same memory location where the SPI takes the send value from, allows continuous transmission of the data stream to the DAC. When debugging the EVM it is preferable to compare the analog output signal of the DAC with the analog input signal applied to the ADC.

The TLC5618A is very easy to use. The sample size is limited to 10 bits and the first six MSBs are set so that the converter outputs the value on the right pin in the right mode.

The next lines of code show the initialization. The only requirement is to initialize the buffered serial port, since the DAC does not need an initialization procedure.

```
@BSPC = #00000h      ; reset SPI
@IFR = #00020h       ; clear any pending SPI IRQ
@IMR = #00020h       ; allow BXINT0
@BSPCE = #00521h     ; set Auto buffer mode
@AXR = #(BSPC_BUFFER_START); set the starting address of the auto buffer
@BKX = #(BSPC_BUFFER_SIZE) ; buffer size
@BSPC = #0C07Ch      ; start serial port, FSX in Burst (every word)
```

8.3.7 Interrupt Latency

The time required to execute an interrupt depends on the handling of the IRQ at the four-word vector address or jumping further with a *GOTO* instruction. Using the fast return from IRQ instruction, and branching from the IRQ vector to a separate routine memory location, produces an IRQ overhead of:

3 sysclk (goto IRQ vector) + 4sysclk (goto/dgoto) + 1 sysclk (fast return) = 8 instruction cycles

The time between when the IRQ occurs and the routine executes its first instruction depends on the instruction in the CPU pipeline when the interrupt occurs. Running a repeat command delays the IRQ until the full number of repetitions is finished.

NOTE: Using a delayed branch instruction (*dgoto*) and putting two useful words of instruction behind this instruction saves the CPU calculation power.(See the explanations about delayed branches Section 8.3.8).

8.3.8 Branch Optimization (*goto/dgoto, call/dcall, ...*)

The easiest solution for a branch is to use the *goto* instruction. Since the 'C54x has a pipeline to allow execution of one instruction in one clock cycle, a simple branch instruction will take four cycles for execution. Example:

```
GOTO MARK
...
MARK: DP = #1;
      ARP = #5;
...
```

The program counter (PC) points after the last instruction (ARP=#5) past 6 sysclk cycles. However, this can be optimized, using a delayed branch.

```
DGOTO MARK
DP = #1;
ARP = #5;
...
MARK: ...
```

The time to execute the same number of instructions is now only four CPU clock cycles. (After four instructions, the PC points to the address MARK. The reason for this is the processor's pipeline finishes the instructions after *dgoto* and does not just trash the already-processed fetch when the branch is in the pipeline's decoding state.

Conclusion: The *goto* and *dgoto* instructions both execute the branch in less than four SYSCLKs, but the *dgoto* instruction can execute the next two instructions following *dgoto* in the same amount of time.

CAUTION:

Use the delayed branches carefully, since it looks confusing when an instruction has been executed after a call instruction. A solution is to first use the normal branches when writing the code, and when all tasks have been finished, optimize the code with the delayed algorithms.

8.3.9 Enabling Software Modules (.if/.elseif/.endif)

To test different software solutions while keeping the number of files small requires integrating all the modules in the same file. Furthermore, a switch is needed to enable any of the software modules. Setting the constant SWITCH in the program header to either one or zero enables/disables the instructions inside an .IF-.ENDIF loop. Example:

```
SWITCH1 .set 00001h
SWITCH2 .set 00000h
...
    .if SWITCH1
instruction_X ; the instructions on this line will be assembled
    .elseif SWITCH2
instruction_Y ; the instructions on this line will be ignored
    .endif
```

In this example, *instruction_X* is executed (linked into object code) while *instruction_Y* is ignored. Setting *SWITCH2* instead of *SWITCH1* to 1 enables *instruction_Y* and makes the compiler link it to object code. If both switches are one, only *instruction_X* is compiled.

8.4 Software Code Explanation

The next capture describes the software solution to interface the TLV1562 and the two DACs on the EVM board. Although the code looks very large and complicated at first, it is a simple solution with only a little knowledge of the code required to verify/customize the settings. The TLV1562 (ADC) offers a wide choice of settings. First, choose the conversation mode. This application report provides one file for each mode. Many settings (2s complement, channels, etc.) must be selected. This software allows a variation of those parameters in the program header. A simple switch enables or disables each component. After recompiling the code with a special setting of all switches, the code becomes much smaller and easier to understand. The *.if/.elseif/.endif* instruction allows the program to use or ignore blocks of instruction between the statements.

If, for example, one does not want to use the serial DAC and disables the switch *SEND_OUT_SERIAL*, all the source code for the serial conversation between DSP and DAC is ignored. The compiler will not implement any code related to the serial DAC.

8.4.1 Software Principals of the Interface

Controlling the status of signals can be done in different ways. One of the challenges in this interface is controlling signal status when the ADC conversion is finished and the digital result is ready to be transferred from the ADC to DSP. A high/low transition on the $\overline{\text{INT}}$ line of the TLV1562 informs the DSP that the ADC has completed the conversion. Optionally, the DSP can ignore the $\overline{\text{INT}}$ signal, initialize the conversion instead, wait for a defined time, and directly read the result out of the ADC. This solution requires knowing the precise time for conversion/data ready on the bus for each converter/mode.

Three options are given for each mode to match different custom needs; they are listed in the next three sections.

8.4.1.1 Software Polling

The status of the input pin is tested in a loop until the valid transition occurs. After this transition, the program branches to the next instruction (reads data sample).

Advantage:

- Relatively fast program response after high-to-low transition of $\overline{\text{INT}}$
- The software compensates for variations of timing given in data sheets for conversion and the real time until the flag goes high.
- Not critical for any software changes (e.g. adding new features)
- Even when the program reaches the polling loop later than the transition occurred, it steps ahead properly.

Disadvantage:

- Time inside the polling loop is not usable for other software features (wasted CPU power)
- A hang up (ADC does not respond) will not be recognized without a watchdog algorithm
- The polling algorithm requires five instruction cycles. Depending on when the conversion finishes during these five instructions (when the $\overline{\text{INT}}$ signal goes low), the time response after the falling edge can vary up to the five instruction cycles. As experiments confirmed, this can result in a variation in the length of the sampling window. So, a filter algorithm (eg. FFT) on the samples might result in slightly different results for a steady (stable) input function, related to the sampling time variations. The only way to prevent this is to control the conversion with the on-chip timer of the DSP. Unfortunately, the maximum throughput falls off with increased requirements for CPU power.

8.4.1.2 Timed Solution

How long the ADC requires for conversion must be factored into the software flow. In other words, the DSP has to wait a certain time between initializing the conversion and reading the conversion result on the data bus from the ADC. This timing is critical to the sampling device. If the conversion time of a data converter changes (data sheet), the timing must be verified again.

Advantage:

- Fastest solution (with a fine tune, the maximum performance can be extracted from the converter)
- Saves CPU power of the DSP (no time wasted for polling)
- Program can not hang up in an endless loop
- Less hardware required (input pin on the DSP and $\overline{\text{INT}}$ connection are left out)

Disadvantage:

- Every software variation changes timing and therefore, requires fine tuning again. This can be avoided by using the DSP timer module, but since the TLV1562 is an extremely fast device (2 MSPS at 10 bit), a timer module solution becomes too slow.
- If the conversion time of the ADC varies for some reasons, this algorithm is not able to respond; instead, the maximum conversion time is used.

8.4.1.3 Interrupt Driven Solution

Usually, the most elegant solution is to use an interrupt procedure to control external signals. The problem for this application is the high speed. First, if more than a few words of code have to be executed between two samples, the software has to ensure that the first interrupts will be completed before the second interrupt is enabled. This can be done by globally disabling IRQs while executing one IRQ. The second problem is the interrupt latency. According to the pipeline architecture of the 'C54x, an interrupt routine is started at the earliest after three clock cycles (the last instruction in the pipeline will be executed before branching to the IRQ vector). Another processing overhead is the branch instruction from the original IRQ vector to the IRQ handler memory location.

In summary, the large number of instructions used to organize the interrupt and to branch from the actual code execution into the interrupt service routine will significantly use up resources.

Advantages:

- Data acquisition runs fully automated in the background; the main program (filtering, other controlling, etc.) does not need to control any data acquisition software flow.
- Easy software debugging and implementing of new features (not critical for any software changes)
- The software compensates for variations in timing given in data sheets for conversion and the real time until the flag goes high.

Disadvantages:

- Program overhead uses a lot of resources, which is critical for maximum throughput performance
- Watchdog algorithms needed to avoid a hang up of the ADC

8.4.1.4 Enabling One Software Mode

Every main file (given later in this document), offers the following three switches in the program header:

SWITCH	DESCRIPTION
POLLING_DRV	software polls the INT0 pin until conversion is finished
INT0_DRIVEN	software uses Interrupt INT0 to organize conversion
NO_INT0_SIG	INT0 signal not in use, interface is controlled with timing solution

NOTE: Only one of the three switches is to be enabled.

Example: Run in interrupt driven mode:

```
POLLING_DRV    .set  00000h
INT0_DRIVEN    .set  00001h
NO_INT0_SIG    .set  00000h
```

8.4.1.5 Setting the Right Switches

As the software offers the choice of three conversion-end recognition strategies, it allows selection of other ADC-related features, such as the clock source, power save mode, or the resolution. Depending on the custom requirements of data throughput, the program header also defines whether the samples will be stored into memory, sent serially out to the TLC5618A DAC, or sent in parallel to the TLV5651 CommsDAC.

Table 12. Switch Settings

SWITCH	DESCRIPTION
SAVE_INT0_MEMORY	Store the samples into DSP memory (location defined in <i>constants.asm</i>)
SEND_OUT_SERIAL	Send the samples always to the serial DAC TLC5618A
SEND_OUT_PARALLEL	Update always the parallel DAC with the last sample (DAC1) THS5651 Note: the 3 switches are independent from each other
R10BIT_RESOLUT	Use maximum resolution of 10 bit
R8BIT_RESOLUT	Use 8-Bit resolution
R4BIT_RESOLUT	Use fastest mode (4-Bit resolution) Note: enable only one of the 3 switches
INTERNAL_CLOCK	Use the internal clock of the ADC
EXTERNAL_CLOCK	Use the external clock of the ADC Note: enable only one of the 2 switches
AUTO_PWDN_ENABLE	ADC reduces power consumption after conversion 1 – enable power down mode 0 – no PWDN mode
DIFF_INPUT_MODE	Use differential mode instead of single ended inputs 1 – differential ADC input 0 – single ADC input
IME_CALIBRATION	Internal Midscale Error Calibration
SME_CALIBRATION	System midscale error calibration Note: the 2 switches are independent from each other; however, performing more than one calibration does not make sense see data sheet)

Features not listed in Table 12 must be changed directly in the two data words, CR0/1, that are sent to the ADC. In general, correct bit setting is described in the data sheet. However, the file CONSTANT.ASM includes a look-up table to simplify the task of setting the right bits in CR0 and CR1. Thus, all it requires is to place the synonym for each feature into the correct bracket as shown in the next example:

EXAMPLE**Task 1.1:**

Sample channel 1 in mono interrupt driven mode with single ended inputs. Use the internal 8-MHz clock of the ADC and do not run in any power save mode. The result should have a binary format with 10-bit resolution. The conversion start is controlled by the \overline{RD} signal.

Table 13. Instruction in the Program Header (Step 1)

```

R10BIT_RESOLUT    .set 00001h ; enable 10-bit resolution
R8BIT_RESOLUT     .set 00000h ;
R4BIT_RESOLUT     .set 00000h ;
INTERNAL_CLOCK    .set 00001h ; use internal clock
EXTERNAL_CLOCK    .set 00000h ;
AUTO_PWDN_ENABLE  .set 00000h ; disable auto power down
DIFF_INPUT_MODE   .set 00000h ; single input mode
IME_CALIBRATION   .set 00000h ; no internal calibration
SME_CALIBRATION   .set 00000h ; no system calibration

```


Task 1.2:

Use channel B in differential input mode and an external clock source. Following changes have to be done with the set-up of Task 1.1:

Table 14. Instruction in the Program Header (Step 1)

R10BIT_RESOLUT	.set 00001h ; enable 10-bit resolution
R8BIT_RESOLUT	.set 00000h
R4BIT_RESOLUT	.set 00000h
INTERNAL_CLOCK	.set 00000h
EXTERNAL_CLOCK	.set 00001h ; use external clock
AUTO_PWDN_ENABLE	.set 00000h ; disable auto power down
DIFF_INPUT_MODE	.set 00001h ; differential input mode
IME_CALIBRATION	.set 00000h ; no internal calibration
SME_CALIBRATION	.set 00000h ; no system calibration

Additional correction in the middle of the main program files (step 2):

```
@CR0_SEND = #(PAIR_B|MONO_INT|SINGLE_END|CLK_INTERNAL|NO_CALIB_OP);
@CR1_SEND = #(NO_SW_PWDN|NO_AUTO_PWDN|NO_2COMPLEMENT|NO_DEBUG|RES_10_BIT|RD_CONV_START);
```

CAUTION:

Changing statements in step 2 is not required, if they are already defined in the header. For example, the statement `CLK_INTERNAL` does not change to `CLK_EXTERNAL` in step 2 because the clock source is defined in the program header and therefore will be justified behind the step 2 instructions later in the program. That is why in step 2 only the `CH1`-value is replaced with `PAIR_B`, but nothing else has been specified.

8.4.1.6 Common Software for all Modes

The files `CONSTANT.ASM` and `VECTORS.ASM` include constant definitions and the interrupt vector table. Those parameters are identical for all ADC modes. Therefore, the two files will be used for each mode and are described next:

<code>CONSTANT.ASM</code>	Definition of constant values as it is the bit code for different ADC modes (CR0/1), the serial DAC send words and the DSP memory saving locations
<code>VECTORS.ASM</code>	Interrupt vector table of the TMS320C542
<code>CALIBRAT.ASM</code>	ADC calibration procedure (except for mono interrupt driven mode using \overline{RD} , this mode has not implemented any calibration so far)

8.5 Flow Charts and Comments for All Software Modes

The following paragraphs show the flow charts and include comments for all software modes.

8.5.1 The Mono Interrupt Driven Mode Using \overline{RD} to Start Conversion

The following descriptions explain the software for the data acquisition in monomode. The required interface connections are shown in Figure 1.

Program Files:

MONOIDM1.ASM includes the complete software algorithm to control the monomode

CONSTANT.ASM common file of all modes (constants definition)

VECTORS.ASM common file of all modes (IRQ vector table)

Other Files:

linker.cmd organization of the DSP memory (data and program memory)

auto.bat batch file to start the compiler for the monomode software

asm500.exe C54x Code compiler

lnk500.exe C54x linker

The timing requirements to interface the 'C54x to the ADC are provided in Tables 6 and 7. The STEP numbers given there can be found again as Marker in the code. This helps to debug and verify the code.

Code verification:

To verify the software, the user must change the code in the MONIDM1.ASM file and save those changes. The next step is to recompile the three .ASM files by executing the AUTO.BAT batch file. If compiler and linker finish without error messages, the new output file is ready to load in the DSP program memory (e.g. with the GoDSP development tools) and to execute.

The flow chart in Figure 7 gives a general overview of the software structure (MONOIDM1.ASM).

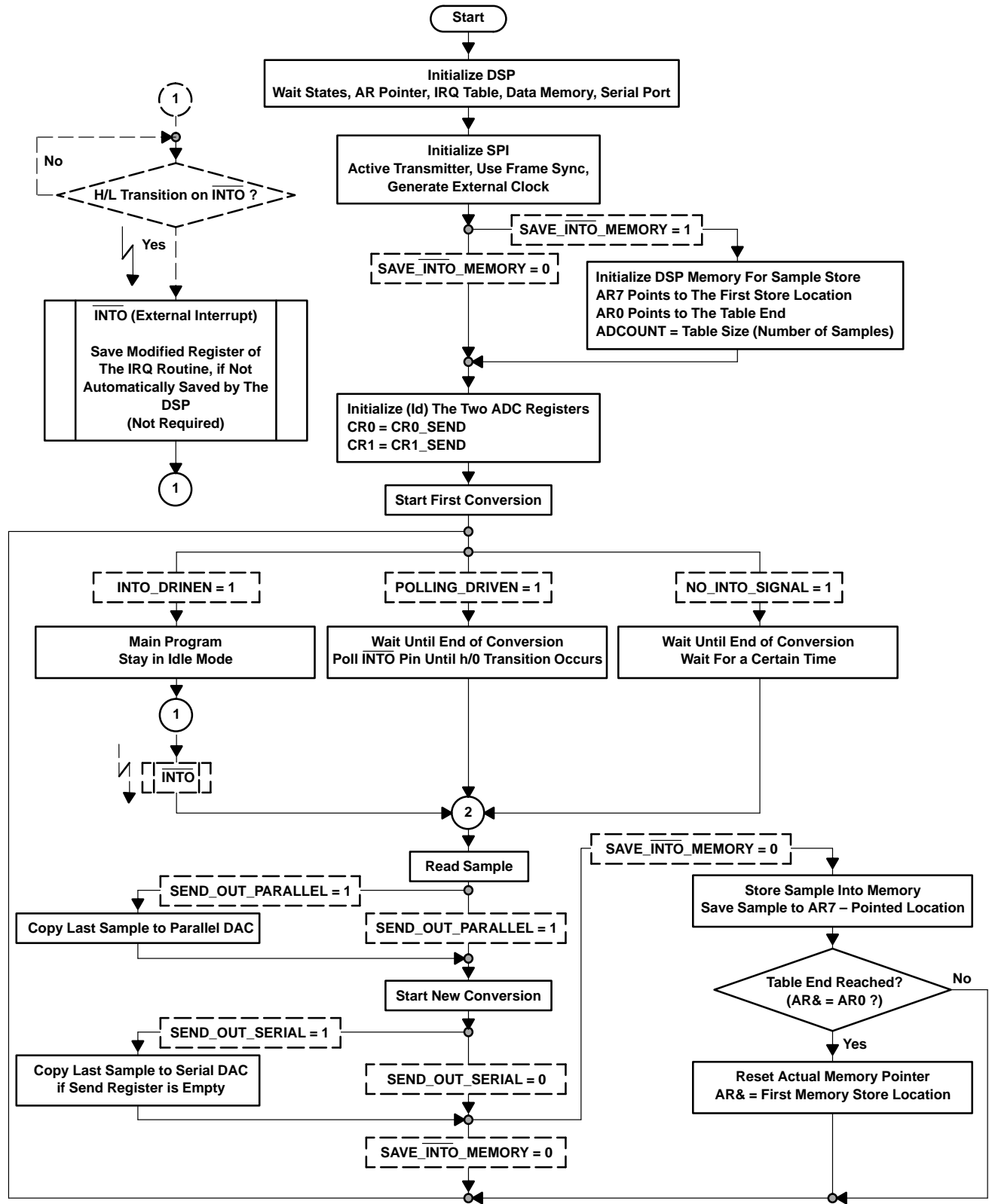


Figure 6. Software Flow of the Mono Interrupt Driven Solution

8.5.2 Mono Interrupt Driven Mode Using \overline{CSTART} to Start Conversion

The following descriptions explain the software for the data acquisition in monomode using the \overline{CSTART} signal. The required interface connections are shown in Figure 1.

Program Files:

MONOCST1.ASM	Includes the complete software algorithm to control the monomode
CALIBRAT.ASM	Calibration procedure of the DAC
CONSTANT.ASM	Common file of all modes (constants definition)
VECTORS.ASM	Common file of all modes (IRQ vector table)

Other Files:

linker.cmd	Organization of the DSP memory (data and program memory)
auto.bat	Batch file to start the compiler for the monomode software
asm500.exe	C54x Code compiler
lnk500.exe	C54x linker

The timing requirements to interface the 'C54x to the ADC are provided in Table 8. The STEP numbers, given there, can be found again as Marker in the code. This helps to debug and verify the code.

IMPORTANT NOTE: The code has been optimized during the software development to maximize the data throughput. It was found that \overline{CSTART} can be pulled down earlier than the data read instruction is performed by the DSP. The advantage is to save the 100-ns wait time in STEP 6 because the data read requires at least 100 ns. Therefore, \overline{CSTART} gets pulled back high directly after data read and the interface becomes faster and gains throughput. This variation will be found in the code; the data acquisition software contains a small number of steps, and everything is explained in the code.

Code verification:

To verify the software, the user must change the code in the MONOCST1.ASM file and save those changes. The next step is to recompile the four .ASM files by executing the AUTO.BAT batch file. If compiler and linker finish without error messages, the new output file is ready to load in the DSP program memory (e.g. with the GoDSP development tools) and to execute.

The flowchart in Figure 8 gives a general overview of the software structure (MONOCST1.ASM).

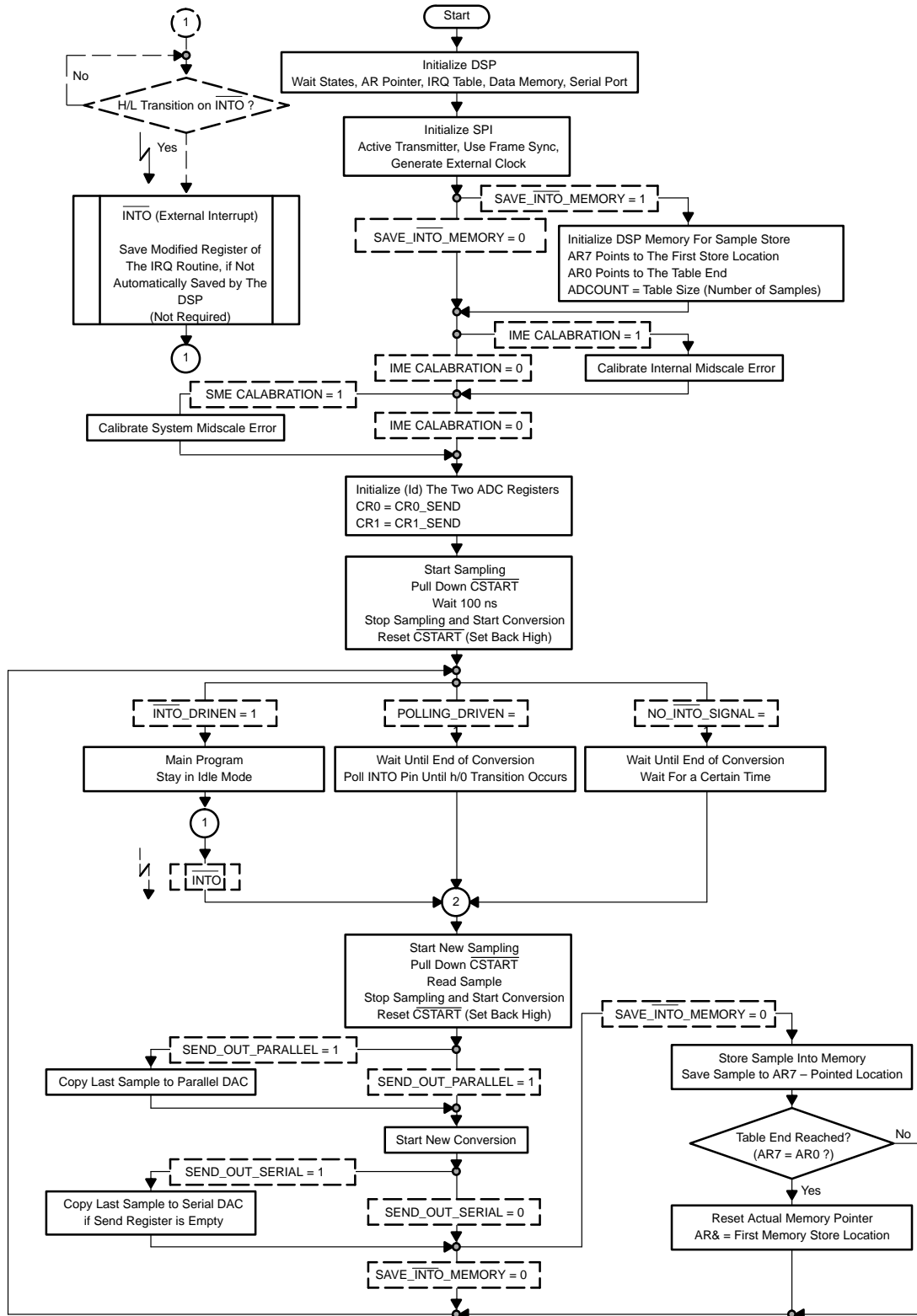


Figure 7. Flow Chart Mono Interrupt Driven Mode Using \overline{CSTART} to Start Conversion

8.5.2.1 Throughput Optimization†

According to the data sheet, the mono interrupt driven mode with $\overline{\text{CSTART}}$ starting the conversion can be described as follows: After the conversion is done ($\overline{\text{INT}}$ set low), the DSP

- selects the converter,
- brings down the $\overline{\text{RD}}$ signal,
- waits until the data are valid,
- reads the data from the ADC and
- resets $\overline{\text{RD}}$ to a high signal level.
- Now, $\overline{\text{CSTART}}$ can be pulled low, for at least 100 ns, and set high to start a new conversion.

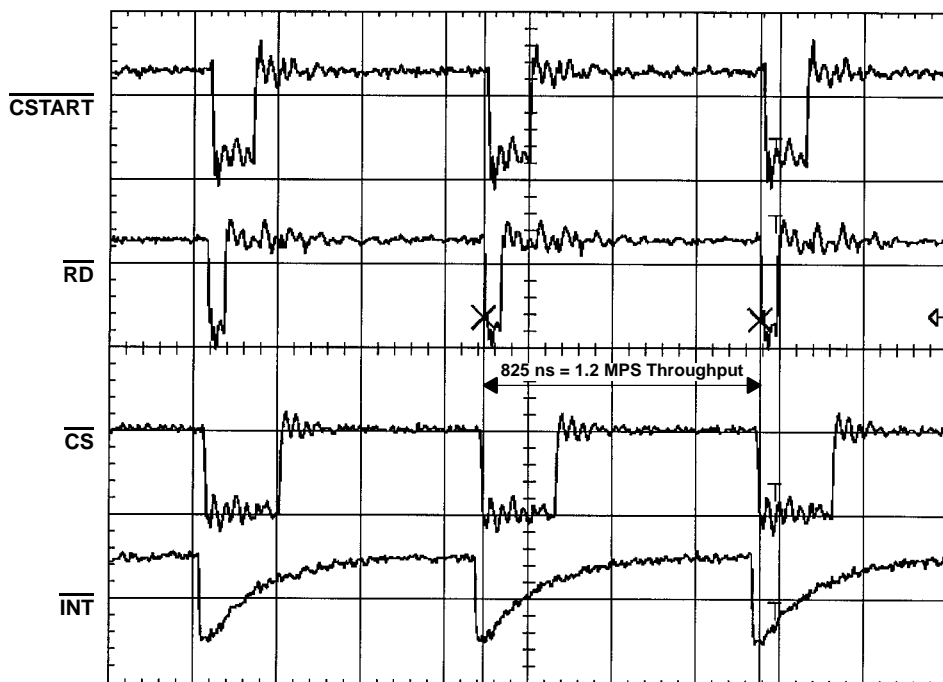
As tests showed, it does not matter at what time the $\overline{\text{CSTART}}$ signal gets pulled low to start the sampling.

Changing the signal flow slightly by pulling $\overline{\text{CSTART}}$ low, before the ADC output data are read on the data bus, will save at least of 100 ns of $\overline{\text{CSTART}}$ low time after read instruction (additional advantage: the longer the analog input is sampled, the more precisely the sampling capacitor will be charged assuming that the noise located by $\overline{\text{RD}}$ is negligible). In this algorithm, $\overline{\text{CSTART}}$ can be taken high right after the data has been read by the DSP without any wait instruction. Therefore, the maximum throughput is gained because the 100-ns sampling time is saved. Test results showed a maximum throughput of more than 1.2 MSPS (approximately 20% of gain in throughput), with the internal ADC clock, when using this strategy (see Figure 8).

A concern is that possible small spikes during conversion at the same time as the data gets read onto the data bus might worsen the analog input signal accuracy. Some measurements could help here to verify the applicability of the throughput optimization.

A concern is that during conversion if any small spikes occurs on the $\overline{\text{CSTART}}$ signal while the ADC data is being read out onto the data bus, then the accuracy of the ADC quantized output data could be affected.

This only works for one TLV1562 (not multiple) because $\overline{\text{CS}}$ is not used.



**Figure 8. Time Optimization (monocst1)
Maximum Performance at 1.2 MSPS with Internal Clock**

8.5.3 Dual Interrupt Driven Mode

The following descriptions explain the software for the data acquisition in Dual Interrupt Driven Mode (using the $\overline{\text{CSTART}}$ signal). The required interface connections are shown in Figure 2.

Program Files:

DUALIRQ1.ASM	Includes the complete software algorithm to control the Dual IRQ Driven Mode
CALIBRAT.ASM	Calibration procedure of the DAC
CONSTANT.ASM	Common file of all modes (constants definition)
VECTORS.ASM	Common file of all modes (IRQ vector table)

Other Files:

linker.cmd	Organization of the DSP memory (data and program memory)
auto.bat	Batch file to start the compiler for the dual interrupt driven software
asm500.exe	54x Code compiler
lnk500.exe	C54x linker

The timing requirements to interface the 'C54x to the ADC are provided in Table 9. The STEP numbers given there can be found again as Marker in the code. This helps to debug and verify the code.

IMPORTANT NOTE: The code has been optimized to maximize the data throughput. It was found that $\overline{\text{CSTART}}$ can be pulled low earlier than the data read instruction is performed by the DSP. This saves the 100-ns wait time in STEP 3 because the data read requires at least 100 ns. Therefore, $\overline{\text{CSTART}}$ gets pulled high directly after data read, and the interface becomes faster and gains throughput. This variation will be found in the code. The data acquisition is done in a small number of steps that explains everything inside the code.

Code verification:

To verify the software, the user must change the code in the DUALIRQ1.ASM file and save those changes. The next step is to recompile the four .ASM files by executing the AUTO.BAT batch file. If compiler and linker finish without error messages, the new output file is ready to load into the DSP program memory (e.g. with the GoDSP development tools) and to execute.

The flow chart in Figure 10 gives a general overview of the software structure (DUALIRQ1.ASM).

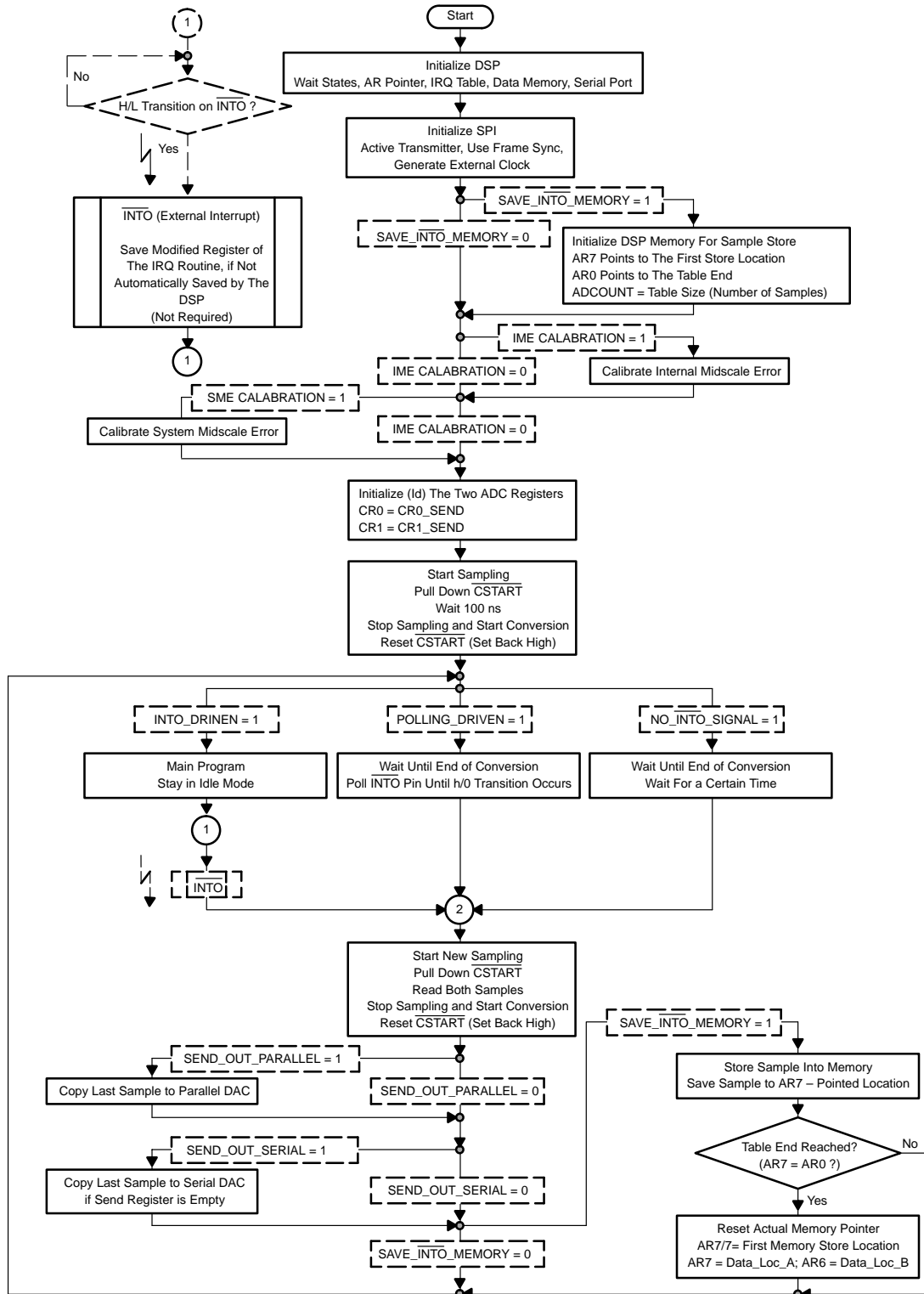


Figure 9. Flow Chart Dual Interrupt Driven Mode (Using CSTART) to Start Conversion

8.5.4 Mono Continuous Mode

The following descriptions explain the software for the data acquisition in Mono Continuous Mode. The required interface connections are shown in Figure 2

Program Files:

MONOCON1.ASM	Includes the complete software algorithm to control the Mono Continuous Mode
CALIBRAT.ASM	Calibration procedure of the DAC
CONSTANT.ASM	Common file of all modes (constants definition)
VECTORS.ASM	Common file of all modes (IRQ vector table)

Other Files:

linker.cmd	Organization of the DSP memory (data and program memory)
auto.bat	Batch file to start the compiler for the mono continuous software
asm500.exe	C54x Code compiler
lnk500.exe	C54x linker

The timing requirements to interface the 'C54x to the ADC are provided in Table 11. The STEP numbers given there can be found again as Marker in the code. This helps to debug and verify the code.

Code verification:

To verify the software, the user must change the code in the MONOCON1.ASM file and save those changes. The next step is to recompile the four .ASM files by executing the AUTO.BAT batch file. If compiler and linker finish without error messages, the new output file is ready to load in the DSP program memory (e.g. with the GoDSP development tools) and to execute.

The flow chart in Figure 11 gives a general overview of the software structure (MONOCON1.ASM).

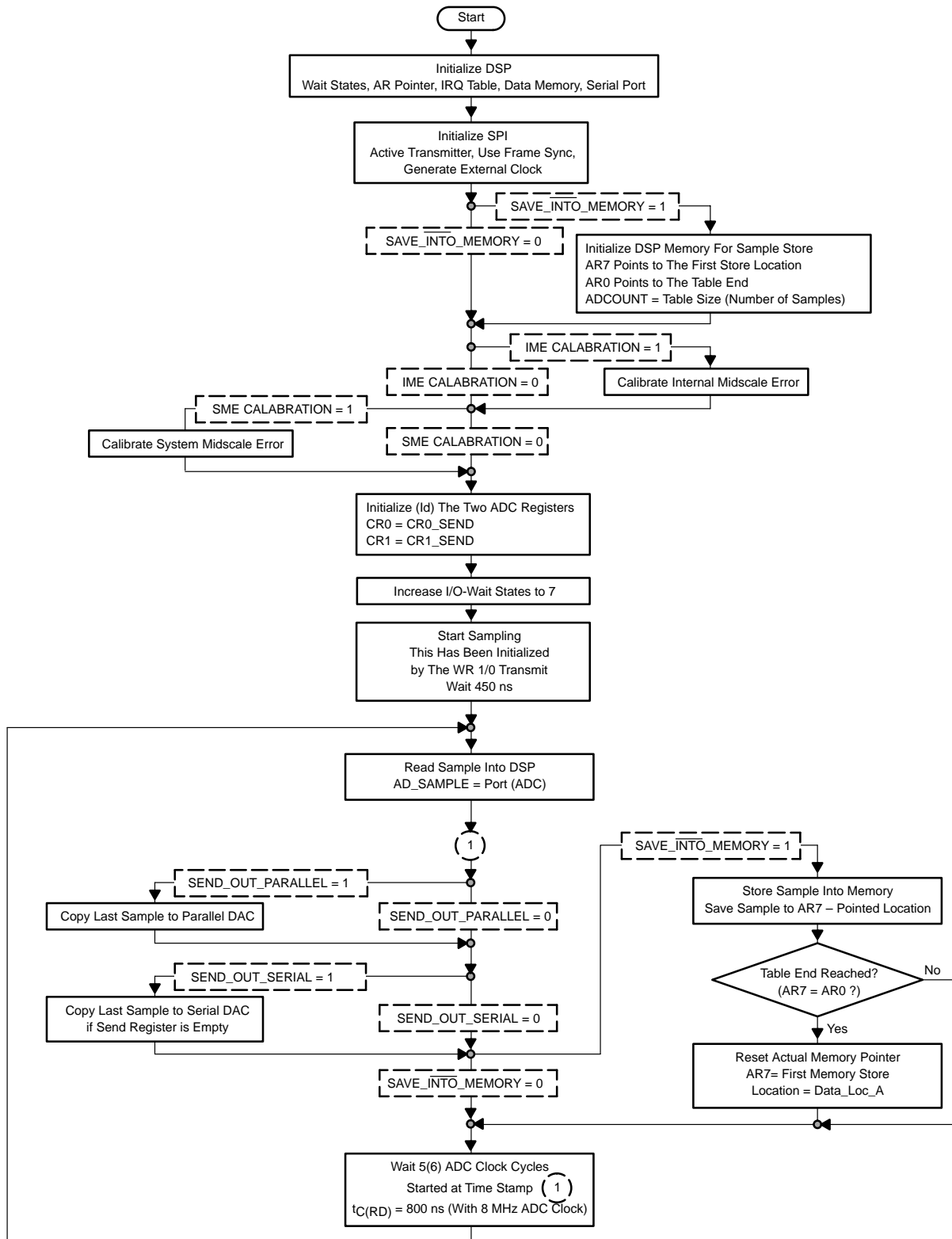


Figure 10. Flow Chart Mono Continuous Mode

8.5.5 Dual Continuous Mode

The following descriptions explain the software for data acquisition in dual continuous mode. The required interface connections are shown in Figure 2.

Program Files:

DUALCON1.ASM	Includes the complete software algorithm to control the Dual Continuous Mode
CALIBRAT.ASM	Calibration procedure of the DAC
CONSTANT.ASM	Common file of all modes (constants definition)
VECTORS.ASM	Common file of all modes (IRQ vector table)

Other Files:

linker.cmd	Organization of the DSP memory (data and program memory)
auto.bat	Batch file to start the compiler for the dual continuous software
asm500.exe	C54x Code compiler
lnk500.exe	C54x linker

The timing requirements to interface the 'C54x to the ADC are provided in Table 12. The STEP numbers given there can be found again as Marker in the code. This helps to debug and verify the code.

Code verification:

To verify the software, the user must change the code in the DUALCON1.ASM file and save those changes. The next step is to recompile the four .ASM files by executing the AUTO.BAT batch file. If compiler and linker finish without error messages, the new output file is ready to load in the DSP program memory (e.g. with the GoDSP development tools) and to execute.

The flow chart in Figure 12 gives a general overview of the software structure (DUALCON1.ASM).

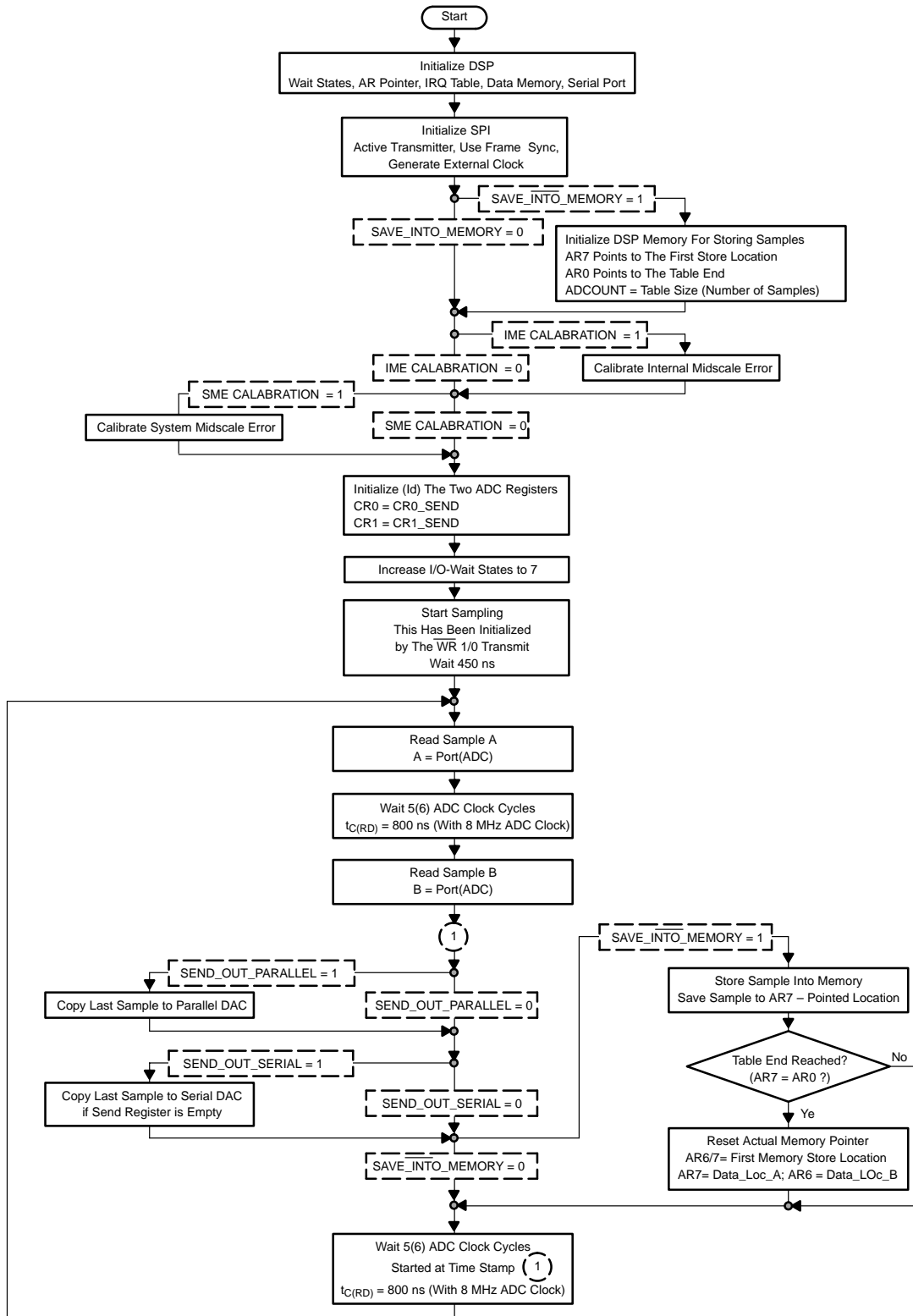


Figure 11. Flow Chart Dual Continuous Mode

8.5.6 C-Callable with Mono Interrupt Driven Mode Using $\overline{\text{CSTART}}$ to Start Conversion

The following descriptions explain the software for the data acquisition with a user friendly C program interface in monomode using the $\overline{\text{CSTART}}$ signal. The required interface connections are shown in Figure 2.

Program Files:

C1562.ASM	Includes the complete software in the C-layer
asm1562.ASM	Includes the complete software algorithm to control the monomode
CONSTANT.ASM	Common file of all modes (constants definition)
VECTORS.ASM	Common file of all modes (IRQ vector table)

Other Files:

linker.cmd	Organization of the DSP memory (data and program memory)
auto.bat	Batch file to start the compiler for the monomode software
C1500.exe	Compiler c-code into assembler
mnem2alg.exe	Mnemonic – algebraic instruction converter
asm500.exe	C54x Code compiler
lnk500.exe	C54x linker
rts.lib	Library to organize boot loader

The timing requirements for interfacing the 'C54x to the ADC are provided in Table 13. The STEP numbers given there can be found again as Marker in the code. This helps to debug and verify the code.

Code verification:

The user only needs to edit the C1562.C – software file and to run the AUTO.BAT to adapt the acquisition. This software samples one of the four channels, with a specified number of samples, and stores each sample into a defined memory location.

To verify the software, the user must change the code in the C1562.ASM file and save those changes. The next step is to recompile the four .ASM files by executing the AUTO.BAT batch file. If compiler and linker finish without error messages, the new output file is ready to load in the DSP program memory (e.g. with the GoDSP development tools) and to execute.

8.6 Source Code

The following paragraphs contain the source code.

8.6.1 Common Software for all Modes (except C-Callable)

The files shown below contained the actual 'C54x program listings and program examples.

8.6.1.1 Constants.asm

```
*****
* TITLE           : TLV1562 ADC Interface routine                *
* FILE            : CONSTANT.ASM                                *
* FUNCTION        : N/A                                         *
* PROTOTYPE       : N/A                                         *
* CALLS           : N/A                                         *
* PRECONDITION    : N/A                                         *
* POSTCONDITION   : N/A                                         *
* SPECIAL COND.   : N/A                                         *
* DESCRIPTION     : definition of constant values for interface software *
* AUTHOR          : AAP Application Group, ICKE, Dallas/Freising *
*                 :                                         *
*                 : CREATED 1998(C) BY TEXAS INSTRUMENTS INCORPORATED. *
* REFERENCE       : TMS320C54x Assembly Language Tools, TI 1997 *
*                 : TMS320C54x DSKPlus User's Guide, TI 1997 *
*                 : Data Aquisition Circuits, TI 1998 *
*****
*****
* SEND WORDS FOR THE ADC TLV1562
*****
* INDEX MODE 0:

CH1           .set 00000h ; Channel selection is Channel 1
CH2           .set 00001h ; Channel selection is Channel 2
CH3           .set 00002h ; Channel selection is Channel 3
CH4           .set 00003h ; Channel selection is Channel 4
PAIR_A        .set 00000h ; Channel selection is Pair A
PAIR_B        .set 00003h ; Channel selection is Pair B

MONO_INT      .set 00000h ; Conversion mode selection is Mono Interrupt
DUAL_INT      .set 00004h ; Conversion mode selection is Dual Interrupt
MONO_CONTINUOUS .set 00008h ; Conversion mode selection is Mono Continuous
DUAL_CONTINUOUS .set 0000Ch ; Conversion mode selection is Dual Continuous

SINGLE_END     .set 00000h ; Input type is Single Ended
DIFFERENTIAL  .set 00010h ; Input type is Differential

CLK_INTERNAL  .set 00000h ; Conversion clock selection is Internal
CLK_EXTERNAL  .set 00020h ; Conversion clock selection is External

CALIB_OP      .set 00000h ; Operate with the calibrated inputs
SYS_OFF_CALIB .set 00040h ; do a system offset calibration
INT_OFF_CALIB .set 00080h ; do a internal offset calibration
```

```

NO_CALIB_OP      .set 000C0h ; Operate without calibrated inputs (no offset)
* INDEX MODE 1:
NO_SW_PWDN      .set 00100h ; Software power down mode disabled
SW_PWDN         .set 00101h ; instruction for software power down

NO_AUTO_PWDN    .set 00100h ; Automatic internal power-down Disabled
AUTO_PWDN       .set 00102h ; Automatic internal power-down Enabled

TWO_COMPLEMENT .set 00100h ; ADC output in 2s complement format
NO_2COMPLEMENT .set 00104h ; ADC output is binary, not in 2s complement

NO_DEBUG        .set 00000h ; Debug mode disabled
DEBUG_MODE      .set 00108h ; Debug mode enabled

RES_10_BIT      .set 00100h ; 10-bit resolution of the ADC
RES_8_BIT       .set 00120h ; 8-bit resolution of the ADC
RES_4_BIT       .set 00110h ; 4-bit resolution of the ADC

RD_CONV_START   .set 00100h ; start Conversion by RD Signal
CST_CONV_START  .set 00140h ; start Conversion by CSTART Signal

; Example to use the constants, decribed on the top:
; set the sending value "send" to sampling Channel 4 with external clock source
; calibrated inputs into Mono Continuous Mode
;
; @send = #(CH4|MONO_CONTINUOUS|SINGLE_END|CLK_EXTERNAL|CALIB_OP);
; port(xxxxh) = @send ; send the value over the Data lines to the TLCV1562
*****
* memory organization (table write of samples) for the C54x
*****
num_data_A      .set 00200h ; Number of data from channel A
num_data_B      .set 00200h ; Number of data from channel B
num_data_C      .set 00200h ; Number of data from channel C
num_data_D      .set 00200h ; Number of data from channel D

data_loc_A      .set 02000h ; Start data location for channel A
data_loc_B      .set 02200h ; Start data location for channel B
data_loc_C      .set 02400h ; Start data location for channel C
data_loc_D      .set 02600h ; Start data location for channel D
TRASH           .set 02000h ; address to waste the first input sample
                  ; after initialization

*****
* bit setting of the serial DAC to match the right mode
*****
TLC5618_LATCH_A .set 08000h ; update output A
TLC5618_LATCH_B .set 00000h ; update B
TLC5618_DOUBLE_LATCH.set 01000h ; update both outputs

TLC5618_FAST_MODE .set 04000h ; fast settling time (2.5us)
TLC5618_SLOW_MODE .set 00000h ; slower settling time (power save)

TLC5618_POWER_UP .set 00000h ; remain active
TLC5618_POWER_DOWN .set 02000h ; go sleep

```


8.6.1.2 Interrupt Vectors

```

*****
* TITLE           : TLV1562 ADC Interface routine          *
* FILE            : VECTORS.ASM                            *
* FUNCTION        : N/A                                    *
* PROTOTYPE       : N/A                                    *
* CALLS           : N/A                                    *
* PRECONDITION    : N/A                                    *
* POSTCONDITION   : N/A                                    *
* SPECIAL COND.   : N/A                                    *
* DESCRIPTION     : definition of of all interrupt vectors  *
*                 Vector Table for the 'C54x DSKplus       *
* AUTHOR          : AAP Application Group, ICKE, Dallas/Freising *
*                 CREATED 1998(C) BY TEXAS INSTRUMENTS INCORPORATED. *
* REFERENCE       : TMS320C54x DSKPlus User's Guide, TI 1997 *
*****

        .title "Vector Table"
                .mmregs
                .width 80
                .length 55
reset    goto _MAIN      ;00; RESET * DO NOT MODIFY IF USING DEBUGGER *
        nop
        nop
nmi      goto START     ;04; non-maskable external interrupt
        nop
        nop
trap2    goto trap2     ;08; trap2 * DO NOT MODIFY IF USING DEBUGGER *
        nop
        nop
        .space 52*16    ;0C-3F: vectors for software interrupts 18-30
int0
;        return_fast   ;come out of the IDLE
;        nop
;        nop
;        nop
        goto IRQ_INT0   ;40; external interrupt int0
        nop
        nop
int1     return_enable  ;44; external interrupt int1
        nop
        nop
        nop
int2     return_enable  ;48; external interrupt int2

```

```
        nop
        nop
        nop
tint    return_enable    ;4C; internal timer interrupt
        nop
        nop
        nop
brint   return_enable    ;50; BSP receive interrupt
        nop
        nop
        nop
bxint   goto BXINT0      ;54; BSP transmit interrupt
        nop
        nop
trint   goto trint       ;58; TDM receive interrupt
        nop
        nop
txint   return_enable    ;5C; TDM transmit interrupt
        nop
        nop
        nop
int3    return_enable    ;60; external interrupt int3
        nop
        nop
        nop
hpiint  goto hpiint      ;64; HPIint * DO NOT MODIFY IF USING DEBUGGER *
        nop
        nop
.space 24*16            ;68-7F; reserved area
```

8.6.1.3 linker.cmd

The linker file for each mode is specified with called file names, but in general looks like the following, made for the Mono Continuous Mode:

```

/*****/
/* File: Linker.lnk COMMAND FILE */
/* .title "COMMAND FILE FOR TLV1562.ASM" */
/* */
/* This CMD file allocates the memory area for the TLV1562 */
/* interface Program */
/*****/
-stack 0x0080
-M monocon1.MAP
-O monocon1.OUT
-e START
monocon1.obj
MEMORY
{
    PAGE 0:    VECT:    origin = 0200h, length = 0080h
              PROG:    origin = 0300h, length = 0400h
    PAGE 1:    RAMB0:   origin = 1800h, length = 1600h
}
SECTIONS
{
    .text      : {} > PROG PAGE = 0
    .vectors   : {} > VECT PAGE = 0
    .data      : {} > RAMB0 PAGE = 1
    .variabl   : {} > RAMB0 PAGE = 1
}

```

8.6.1.4 Auto.bat

The batch file to compile changes is specified for each mode, but in general looks like the following, made for the mono continuous mode:

```

del *.map
del *.obj
del *.out
del *.lst
asm500 monocon1.asm -l -mg -q -s
pause
lnk500 linker.cmd

```

8.6.2 Mono Mode Interrupt Driven Software Using RD to Start Conversion

Mainprogram (Monomode.asm)

```

*****
* TITLE           : TLV1562 ADC Interface routine           *
* FILE            : MONOIDM1.ASM                           *
* FUNCTION        : MAIN                                    *
* PROTOTYPE       : void MAIN ()                           *
* CALLS           : SERIAL_DAC_INI() initialization of the BSPI/serial DAC *
* PRECONDITION    : N/A                                    *
* POSTCONDITION   : N/A                                    *
* SPECIAL COND.   : AR0 protected - in use for the data storage procedure *
*                 AR5 protected - in use for polling IFR   *
*                 (only for software polling solution)     *
*                 AR7 protected - in use for the data storage procedure *
* DESCRIPTION     : main routine to use the mono interrupt driven mode *
* AUTHOR          : AAP Application Group, ICKE, Dallas     *
*                 CREATED 1998(C) BY TEXAS INSTRUMENTS INCORPORATED. *
* REFERENCE       : TMS320C54x User's Guide, TI 1997       *
*                 TMS320C54x DSKPlus User's Guide, TI 1997 *
*                 Data Aquisition Circuits, TI 1998       *
*****

    .title "MONOIDM1"
    .mmregs
    .width 80
    .length 55
    .version 542

* the next 4 lines (setsect) have to be enabled if the DSKplus code generator
* instead of the asm500.exe tools are in use
;    .setsect ".vectors",0x00180,0 ; sections of code
;    .setsect ".text", 0x00200,0 ; these assembler directives specify
;    .setsect ".data", 0x01800,1 ; the absolute addresses of different
;    .setsect ".variabl",0x01800,1 ; sections of code

    .sect ".vectors"
    .copy "vectors.asm"

    .sect ".data"
    .copy "constant.asm"

* ADC conversation
AD_DP      .usect ".variabl", 0 ; pointer address when using any of the following variables
ACT_CHANNEL .usect ".variabl", 1 ; jump address to init. new channel
ADCOUNT    .usect ".variabl", 1 ; counter for one channel
ADMEM      .usect ".variabl", 1 ; points to act. memory save location

```

```

CRO_SEND      .usect ".variabl", 1    ; sent value to register CR0 of the ADC
CR1_SEND      .usect ".variabl", 1    ; sent value to register CR1 of the ADC
ZERO          .usect ".variabl", 1    ; the value zero to send a "Zero Dummy"
ADSAMPLE      .usect ".variabl", 1    ; last read sample from the ADC

* TLC5618 conversation
SERIAL_SEND   .usect ".variabl", 1    ; serial output send word

* other
TEMP         .usect ".variabl", 1    ; temporary variable, can be changed anywhere during
                                     ; the program

* Address Decoder constants:
CSTART       .set  00001h           ; activate A1 when CSTART is choosen
ADC          .set  00002h           ; activate A2 when TLV1562 is choosen
DAC1        .set  00003h           ; activate A3 when DAC1 is choosen
DEACTIV     .set  00000h           ; deactivate the address lines A0, A1 and A2

* set timing mode (use od IRQ, or timer)
POLLING_DRV  .set  00001h           ; software polls the INT0 pin to wait, until conversion
is done
INT0_DRIVEN  .set  00000h           ; software uses Interrupt INT0 to organize conversion
NO_INT0_SIG  .set  00000h           ; INT0 signal not in use, interface is controlled with
timing solution
SAVE_INT0_MEMORY .set  00001h       ; store the samples into DSP memory, defined in
"constants.asm"
SEND_OUT_SERIAL .set  00000h        ; send the samples always to the serial DAC
SEND_OUT_PARALLEL .set  00001h      ; update always the parallel DAC with the last sample
(DAC1)
R10BIT_RESOLUT .set  00001h        ; use maximum resolution of 10-bit
R8BIT_RESOLUT .set  00000h        ; use 8-bit resolution
R4BIT_RESOLUT .set  00000h        ; use fastest mode (4-bit resolution)

INTERNAL_CLOCK .set  00001h        ; use the internal clock of the ADC
EXTERNAL_CLOCK .set  00000h        ; use the external clock of the ADC

AUTO_PWDN_ENABLE .set  00000h      ; ADC goes into power reduced state after conversion

DIFF_INPUT_MODE .set  00001h       ; use differential mode instead of single ended inputs
.sect ".text"
_MAIN:
START:
INITIALIZATION:

* disable IRQ, sign extension mode, ini Stack
    INTM = 1           ; disable IRQ
    SXM = 0           ; no sign extension mode
;    SP = #0280h       ; initialize Stack pointer

```

```

* initialize waitstates:
    DP    = #00000h          ; point to page zero
    @SWWSR = #01000h        ; one I/O wait states

* copy interrupt routine, which are not critical for the EVM to the IRQ table location:
* this is required for the DSKplus kit but has to be changed on other platforms
    DP    = #1                ; point to page 1 (IRQ vector table)
    AR7   = #00200h
    repeat(#3h)
    data(0084h) = *AR7+      ; copy the NMI vector

    AR7   = #00240h
    repeat(#35)
    data(00C0h) = *AR7+      ; copy INT0, INT1,...

* clear all memory locations of the sampling table (table, where the samples will be stored)
    DP    = #AD_DP           ;
    @TEMP  = #00000h        ;
    repeat(#num_data_A-1)
    data(data_loc_A) = @TEMP ; fill memory table 1

    repeat(#num_data_B-1)
    data(data_loc_B) = @TEMP ; fill memory table 2

    repeat(#num_data_C-1)
    data(data_loc_C) = @TEMP ; fill memory table 3

    repeat(#num_data_D-1)
    data(data_loc_D) = @TEMP ; fill memory table 4

.if SEND_OUT_SERIAL
*****
* SERIAL_DAC_INI:
* initialize the serial interface to send out the samples for the serial DAC
* set up the serial interface for a DSP-DAC (5618A) conversation
* initialize the SPI interface and the DAC
* the serial interface will be updated with the last sample if the serial
* buffer is empty (after the last bit has been send)
*****
SERIAL_DAC_INI:
BSPI_INI:
    DP    = #0
    @BSPC = #00038h        ; reset SPI
    @BSPCE = #00101h      ; set clock speed, no Autobuffer Mode
    @BSPC = #0C078h        ; start serial port

.endif
.if (INT0_DRIVEN/POLLING_DRV)

```

```

* reset pending IRQs
    IFR    = #1                ; reset any old interrupt on pin INT0
.endif
.if INTO_DRIVEN
* enable Interrupt INT0
    @IMR   |= #01             ; allow INT0
.endif
* enable global interrupt (this is required even if no IRQ routine is used
* by this program because the GoDSP debugger needs to do its background interrupts)
    INTM   = 0                ; enable global IRQ

* initialize storage table for the ADC samples
    AR7    = #(data_loc_A)    ; point to first data location of the storage table
    AR0    = #(num_data_A+data_loc_A) ; AR0 points to table end
    DP     = #AD_DP          ;
    @ADCOUNT= #(num_data_A)   ; initialize ADCOUNT with the number of
                                required samples

.if POLLING_DRV
    AR5    = #(IFR)          ; AR5 points to the IFR register (only for
                                polling mode)
.endif

    DP     = #AD_DP
    @ZERO  = #00000          ; set the dummy send value
* initialize the send values to set-up the two programmable register of the ADC
    @CR0_SEND = #(CH1|MONO_INT|SINGLE_END|CLK_INTERNAL|NO_CALIB_OP);
    @CR1_SEND = #(NO_SW_PWDN|NO_AUTO_PWDN|NO_2COMPLEMENT|NO_DEBUG|RES_10_BIT|RD_CONV_START);

* change some of the possible modes by variation of the bit setting in the file header
* this next steps can be erased, if the user is running in only one special configuration
.if (R8BIT_RESOLUT)
    @CR1_SEND ^= #RES_10_BIT    ; clear bit for 10-Bit Resolution
    @CR1_SEND |= #RES_8_BIT     ; set 8-Bit conversion mode
.elseif (R4BIT_RESOLUT)
    @CR1_SEND ^= #RES_10_BIT    ; clear bit for 10-Bit Resolution
    @CR1_SEND |= #RES_4_BIT     ; set 8-Bit conversion mode
.endif

.if (EXTERNAL_CLOCK)
    @CR0_SEND ^= #CLK_INTERNAL  ; clear CLK_INTERNAL bit if one
    @CR0_SEND |= #CLK_EXTERNAL  ; set CLK_EXTERNAL mode
.endif

```

```

.if (AUTO_PWDN_ENABLE)
    @CR1_SEND ^= #NO_AUTO_PWDN      ; clear NO_AUTO_PWDN bit if one
    @CR1_SEND |= #AUTO_PWDN        ; set AUTO_PWDN mode
.endif

.if (DIFF_INPUT_MODE)
    @CR0_SEND ^= #SINGLE_END        ; clear single ended input bit if one
    @CR0_SEND |= #DIFFERENTIAL    ; set differential input mode
.endif

*****
* ADC_INI:
* set ADC register CR0/CR1
*****
ADC_INI:
* write CR1:
    port(ADC) = @CR1_SEND          ; Address decoder sets  $\overline{CS}$  low,
                                   ;  $\overline{WR}$  low and send CR1 value to the ADC
    port(DEACTIVE) = @ZERO        ; deselect ADC (CShigh)
    NOP                            ; wait for  $tW(CSH)=50ns$ 

* write CR0
    port(ADC) = @CR0_SEND          ; send CR0 value to the ADC
    port(DEACTIVE) = @ZERO        ; deselect ADC (CShigh)
    NOP                            ; wait for  $tW(CSH)=50ns$ 

*****
* ADC_mono_IRQ_Start:
* read samples and store them into memory
*****
ADC_mono_IRQ_Start:
STEP2: @TEMP = port(ADC)           ; select ADC ( $\overline{CS}$  low) (change address bus signal)
STEP3: repeat(#4)
    NOP                            ; wait for  $tD(CSL-SAMPLE)+1SYSCLK=6$ 
STEP4: XF = 0                      ; clear  $\overline{RD}$ 
STEP5:
    .if POLLING_DRV
* wait until INT- goes low in polling the INT0 pin:
M1:   TC = bit(*AR5,15-0)          ; test, is the  $\overline{INT0}$  Bit in IFR=1?
    if (NTC) goto M1              ; wait until  $\overline{INT}$  signal goes high
    IFR = #1                      ; reset any old interrupt on pin  $\overline{INT0}$ 
    .elseif INT0_DRIVEN
* user main program area (this could execute additional code)
* go into idle state until the INT0 wakes the processor up
USER_MAIN: IDLE(2)                ; the user software could do something else here
    goto USER_MAIN              ;

```



```

.elseif NO_INT0_SIG
* instead of using the  $\overline{\text{INT}}$  signal, the processor waits
* for 6ADCSYSCLK+49ns and reads then the sample
    repeat(#32)
        nop                                ; wait for 34 processor cycles
.endif

* read sample
STEP7: @ADSAMPLE = port(ADC)                ; read the new sample into the DSP
        XF      = 1                          ; set  $\overline{\text{RD}}$ 

.if (SEND_OUT_PARALLEL)
* store sample into the parallel buffer location if choosen
    port(DAC1) = @ADSAMPLE                    ; update DAC output
    @TEMP     = port(ADC)                      ; activate ADC  $\overline{\text{CS}}$  again
.endif

.if (AUTO_PWDN)
* deselect/select the ADC with  $\overline{\text{CS}}$  (requirement in Auto power down mode)
    @TEMP     = port(DEACTIVE)                ; deselect ADC
    @TEMP     = port(ADC)                      ; activate ADC  $\overline{\text{CS}}$  again
    repeat(#18)
        nop                                ; wait for 20 clock cycles [t(APDR)=500ns]
.endif

    XF      = 0                                ; clear  $\overline{\text{RD}}$  (step 4)
    call    STORE                              ; handle storing of the samples into memory and serial DAC

.if INTO_DRIVEN
    return                                    ; return from routine back to IRQ_INT0
.else
    goto    STEP5                              ; go back to receive next sample
.endif
*****
* STORE:
* saving the samples into memory
*****
STORE:
.if SAVE_INT0_MEMORY
* store new sample into DSP data memory
    *AR7+ = data(@ADSAMPLE)                    ; write last sample into memory table
.endif

.if SEND_OUT_SERIAL
* store sample into the serial buffer location

```

```

DP   = #00000h           ; point to page zero
TC   = bitf(@SPC,#01000h) ; test, is the XRDY Bit in SPC=1?
if (TC) goto SEND_SERIAL_END ; don't send something until XDR is empty
; this has been included because the serial DAC TLC5618A is not able to understand
; endless data-stream (the  $\overline{\text{CS}}$  should not become high before end of sending
; the 16th bit)
DP   = #AD_DP           ; reset Data page pointer to variables
A    = @ADSAMPLE<<2     ; leftshift of the sample for a 12-bit format
@ADSAMPLE = A           ;
@ADSAMPLE |= #(TLC5618_LATCH_A|TLC5618_FAST_MODE|TLC5618_POWER_UP) ; set the mode
                                         of the DAC

      data(BDXR) = @ADSAMPLE ; send out the sample to the serial DAC
SEND_SERIAL_END:
  .endif

  .if SAVE_INTO_MEMORY
* test for table end, set pointer back if true
  TC   = (AR0 ==AR7)     ; is AR0 = AR7? (table end reached?)
  if (NTC) goto STORE_END ;
* set pointer back to table start
  AR7   = #(data_loc_A) ; point to first data location of the storage table
  .endif
STORE_END: RETURN ; jump back into data aquisition routine

*****
* IRQ_INT0:
* Interrupt routine of the external interrupt input pin  $\overline{\text{INT0}}$ 
*****
IRQ_INT0:
  call STEP7           ; initialize the next conversion and store results
  return_enable        ; return from IRQ (wake up from the IDLE mode)

*****
* BXINT0:
* Interrupt routine of the serial transmit interrupt of the buffered SPI
*****
BXINT0:
  return_enable        ; interrupt is not in use

.sect ".text"
.copy "TLC5618.asm"
.end

```

8.6.3 Calibration of the ADC

CALIBRAT.ASM

```

*****
* TITLE           : TLV1562 ADC Interface routine           *
* FILE            : CALIBRAT.ASM                           *
* FUNCTION        : CALIBRAT_INTERNAL_MID_SCALE            *
*                 CALIBRAT_SYSTEM_MID_SCALE                *
* CALLS           : N/A                                     *
* PRECONDITION    : N/A                                     *
* POSTCONDITION   : N/A                                     *
* SPECIAL COND.   : N/A                                     *
* DESCRIPTION     : routine to perform a ADC calibration    *
* AUTHOR          : AAP Application Group, ICKE, Dallas     *
*                 CREATED 1998(C) BY TEXAS INSTRUMENTS INCORPORATED. *
* REFERENCE       : TMS320C54x User's Guide, TI 1997       *
*****
    .title "CALIBRAT"
    .mmregs
    .width 80
    .length 55
    .version 542

    .if (IME_CALIBRATION/SME_CALIBRATION)
    .sect ".data"
CR_CALIBRA .usect ".variabl", 1 ; temporary variable, can be changed anywhere during
                                the program

    .sect ".text"
    .if (IME_CALIBRATION)
*****
* CALIBRAT_INTERNAL_MID_SCALE
* performs an internal calibration of the ADC to offset for internal device errors
* basic idea: do a error calibration in mono interrupt driven mode using CSTART
* for conversion but use the channel & single/differential input information already
* set-up in the CR0_send register from
*****
CALIBRAT_INTERNAL_MID_SCALE:
    DP      = #AD_DP                ; initialize data pointer
* clear calibration related bits in CR0:
    @CR0_SEND &= #(NO_CALIB_OP^0FFFFh) ; clear bit for no calibration use
    @CR0_SEND &= #(CALIB_OP^0FFFFh)   ; clear bit for no calibration use
* initialize the send values to setup the two programmable registers of the ADC to calibrate
    data(CR_CALIBRA) = @CR0_SEND      ; load help register with CR0 content
* use calibrated mode in the following for conversion
    @CR0_SEND |= #CALIB_OP            ; set calibration for further use

```

```

* clear mode related bits in CR0 and set MONO_INT:
  @CR0_SEND &= #(MONO_INT^0FFFFh)      ; clear bit for no calibration use
  @CR0_SEND &= #(DUAL_INT^0FFFFh)      ; clear bit for no calibration use
  @CR0_SEND &= #(MONO_CONTINUOUS^0FFFFh); clear bit for no calibration use
  @CR0_SEND &= #(DUAL_CONTINUOUS^0FFFFh); clear bit for no calibration use
  @CR0_SEND |= #MONO_INT                ; set calibration for further use

* clear clock related bits in CR0 and set internal clock mode:
  @CR0_SEND &= #(CLK_INTERNAL^0FFFFh)  ; clear bit for no calibration use
  @CR0_SEND &= #(CLK_EXTERNAL^0FFFFh)  ; clear bit for no calibration use
  @CR0_SEND |= #CLK_INTERNAL            ; set calibration for further use

* set mode for internal offset calibration:
  @CR_CALIBRA |= #INT_OFF_CALIB        ; set internal calibration mode

*****
* verify ADC register CR0/CR1
*****
* write CR1 (to reset old CSTART mode initialization, because otherwise, the ADC never sets
* back its INT- pin to show a sample is available:
  @CR_PROBLEM = #(SW_PWDN|NO_AUTO_PWDN|NO_2COMPLEMENT|NO_DEBUG|RES_10_BIT|RD_CONV_START);
  port(ADC) = @CR_PROBLEM              ; Address decoder sets  $\overline{CS}$  low,
                                       ; WR- low and send CR_PROBLEM value to the ADC

  NOP                                  ; wait for  $tW(CSH)=50ns$ 

* write CR1
* initialize the send values to setup the two programmable registers of the ADC
  @CR_PROBLEM =
#(NO_SW_PWDN|NO_AUTO_PWDN|NO_2COMPLEMENT|NO_DEBUG|RES_10_BIT|CST_CONV_START);
  port(ADC) = @CR_PROBLEM              ; send CR0 value to the ADC
  port(DEACTIVE) = @ZERO                ; deselect ADC ( $\overline{CS}$  high)
  NOP                                  ; wait for  $tW(CSH)=50ns$ 

* write CR0
  port(ADC) = @CR_CALIBRA              ; send CR0 value to the ADC
  port(DEACTIVE) = @ZERO                ; deselect ADC ( $\overline{CS}$  high)
  NOP                                  ; wait for  $tW(CSH)=50ns$ 

*****
* do one sample to perform the calibration
*****
  XF      = 0                          ; clear  $\overline{CSTART}$ 
  repeat(#10)
  nop                                         ; wait for some sampling time
  XF      = 1                              ; reset  $\overline{CSTART}$ 
  repeat(#34)

```

```

nop                                ; wait for 34 cycles until conversion has been finished

    @TEMP = port(ADC)                ; read the sample but don't care about the content
    IFR   = #1                       ; reset any old interrupt on pin  $\overline{INT0}$ 

*****
* set back ADC register CR0/CR1
*****
* write CR1 (to reset old  $\overline{CSTART}$  mode initialization, because otherwise, the ADC never resets
* the  $\overline{INT}$  pin to show a sample is available:
    @CR_PROBLEM = #(SW_PWDN|NO_AUTO_PWDN|NO_2COMPLEMENT|NO_DEBUG|RES_10_BIT|RD_CONV_START);
    port(ADC) = @CR_PROBLEM          ; Address decoder sets  $\overline{CS}$  low,
                                      ; WR- low and send CR_PROBLEM value to the ADC

    NOP                              ; wait for  $tW(CSH)=50ns$ 

* write CR1:
    port(ADC) = @CR1_SEND             ; Address decoder sets  $\overline{CS}$  low,
                                      ; WR- low and send CR1 value to the ADC

    port(DEACTIVE) = @ZERO           ; deselect ADC ( $\overline{CS}$  high)
    NOP                              ; wait for  $tW(CSH)=50ns$ 

* write CR0
    port(ADC) = @CR0_SEND             ; send CR0 value to the ADC
    port(DEACTIVE) = @ZERO           ; deselect ADC ( $\overline{CS}$  high)
    NOP                              ; wait for  $tW(CSH)=50ns$ 

    return                           ; return from call
.endif

.if (SME_CALIBRATION)
*****
* CALIBRAT_SYSTEM_MID_SCALE
* performs an internal calibration of the ADC to offset for the device midscale
* error and input offset
* basic idea: do a error calibration in mono interrupt driven mode using  $\overline{CSTART}$ 
* for conversion, but use the channel & single/differential input information already
* set-up in the CR0_send register from
*****
CALIBRAT_SYSTEM_MID_SCALE:
    DP      = #AD_DP                  ; initialize data pointer

* clear calibration related bits in CR0:
    @CR0_SEND &= #(NO_CALIB_OP^0FFFFh) ; clear bit for no calibration use
    @CR0_SEND &= #(CALIB_OP^0FFFFh)   ; clear bit for no calibration use

* initialize the send values to setup the two programmable registers of the ADC to calibrate
    data(CR_CALIBRA) = @CR0_SEND      ; load help register with CR0 content

```

```

* use calibrated mode in the following for conversion
  @CR0_SEND |= #CALIB_OP                ; set calibration for further use

* clear mode related bits in CR_CALIBRA and set MONO_INT:
  @CR_CALIBRA &= #(MONO_INT^0FFFFh)    ; clear bit for no calibration use
  @CR_CALIBRA &= #(DUAL_INT^0FFFFh)    ; clear bit for no calibration use
  @CR_CALIBRA &= #(MONO_CONTINUOUS^0FFFFh); clear bit for no calibration use
  @CR_CALIBRA &= #(DUAL_CONTINUOUS^0FFFFh); clear bit for no calibration use
  @CR_CALIBRA |= #MONO_INT              ; set calibration for further use

* clear clock related bits in CR_CALIBRA and set internal clock mode:
  @CR_CALIBRA &= #(CLK_INTERNAL^0FFFFh) ; clear bit for no calibration use
  @CR_CALIBRA &= #(CLK_EXTERNAL^0FFFFh) ; clear bit for no calibration use
  @CR_CALIBRA |= #CLK_INTERNAL          ; set calibration for further use

* set mode for intermal offset calibration:
  @CR_CALIBRA |= #SYS_OFF_CALIB         ; set internal calibration mode

*****
* verify ADC register CR0/CR1
*****
* write CR1 (to reset old CSTART mode initialization, because otherwise, the ADC never sets
* back its INT- pin to show a sample is available:
  @CR_PROBLEM = #(SW_PWDN|NO_AUTO_PWDN|NO_2COMPLEMENT|NO_DEBUG|RES_10_BIT|RD_CONV_START);
  port(ADC) = @CR_PROBLEM                ; Address decoder sets CS low,
                                          ; WR low and send CR_PROBLEM value to the ADC

  NOP                                    ; wait for tW(CSH)=50ns

* write CR1
* initialize the send values to setup the two programmable registers of the ADC
  @CR_PROBLEM =
#(NO_SW_PWDN|NO_AUTO_PWDN|NO_2COMPLEMENT|NO_DEBUG|RES_10_BIT|CST_CONV_START);
  port(ADC) = @CR_PROBLEM                ; send CR0 value to the ADC
  port(DEACTIVE) = @ZERO                 ; deselect ADC (CS high)
  NOP                                    ; wait for tW(CSH)=50ns

* write CR0
  port(ADC) = @CR_CALIBRA                ; send CR0 value to the ADC
  port(DEACTIVE) = @ZERO                 ; deselect ADC (CS high)
  NOP                                    ; wait for tW(CSH)=50ns

*****
* do one sample to perform the calibration
*****
  XF      = 0                            ; clear CSTART
  repeat(#10)

```

```

nop                ; wait for some sampling time
XF      = 1       ; reset  $\overline{CSTART}$ 

repeat(#34)
nop                ; wait for 34 cycles until conversion has been finished

    @TEMP = port(ADC) ; read the sample but don't care about the content
    IFR   = #1       ; reset any old interrupt on pin  $\overline{INT0}$ 
*****
* set back ADC register CR0/CR1
*****
* write CR1 (to reset old  $\overline{CSTART}$  mode initialization, because otherwise, the ADC never sets
* back its int- pin to show a sample is available:
    @CR_PROBLEM = #(SW_PWDN|NO_AUTO_PWDN|NO_2COMPLEMENT|NO_DEBUG|RES_10_BIT|RD_CONV_START);
    port(ADC) = @CR_PROBLEM ; Address decoder sets  $\overline{CS}$  low,
                            ;  $\overline{WR}$  low and send CR_PROBLEM value to the ADC

    NOP                ; wait for  $tW(CSH)=50nS$ 

* write CR1:
    port(ADC) = @CR1_SEND ; Address decoder sets  $\overline{CS}$  low,
                            ;  $\overline{WR}$  low and send CR1 value to the ADC

    port(DEACTIVE) = @ZERO ; deselect ADC ( $\overline{CS}$  high)
    NOP                ; wait for  $tW(CSH)=50ns$ 

* write CR0
    port(ADC) = @CR0_SEND ; send CR0 value to the ADC
    port(DEACTIVE) = @ZERO ; deselect ADC ( $\overline{CS}$  high)
    NOP                ; wait for  $tW(CSH)=50ns$ 

    return            ; return from call
.endif
.endif

```

8.6.4 Mono Mode Interrupt Driven Software Using CSTART to Start Conversion

Mainprogram (Monomode.asm)

```

*****
* TITLE           : TLV1562 ADC Interface routine           *
* FILE            : MONOCST1.ASM                           *
* FUNCTION        : MAIN                                    *
* PROTOTYPE       : void MAIN ( )                          *
* CALLS           : N/A                                     *
* PRECONDITION    : N/A                                     *
* POSTCONDITION   : N/A                                     *
* SPECIAL COND.   : AR0 protected - in use for the data storage procedure *
*                  AR5 protected - in use for polling IFR   *
*                  (only for software polling solution)     *
*                  AR7 protected - in use for the data storage procedure *
* DESCRIPTION     : main routine to use the mono interrupt driven mode *
*                  and the CSTART signal to CPU power for the conversion *
*                  time                                       *
* AUTHOR          : AAP Application Group, ICKE, Dallas     *
*                  CREATED 1998(C) BY TEXAS INSTRUMENTS INCORPORATED. *
* REFERENCE       : TMS320C54x User's Guide, TI 1997       *
*                  TMS320C54x DSKPlus User's Guide, TI 1997 *
*                  Data Aquisition Circuits, TI 1998       *
*****
        .title "MONOCST1"
        .mmregs
        .width 80
        .length 55
        .version 542
* the next 4 lines (setsect) have to be enabled if the DSKplus code generator
* instead of the asm500.exe tools are in use
;        .setsect ".vectors",0x00180,0 ; sections of code
;        .setsect ".text", 0x00200,0 ; these assembler directives specify
;        .setsect ".data", 0x01800,1 ; the absolute addresses of different
;        .setsect ".variabl",0x01800,1 ; sections of code
        .sect ".vectors"
        .copy "vectors.asm"

        .sect ".data"
        .copy "constant.asm"
* ADC conversation
AD_DP        .usect ".variabl", 0 ; pointer address when using any of the
                following variables
ACT_CHANNEL  .usect ".variabl", 1 ; jump address to init. new channel

```



```

ADDCOUNT    .usect ".variabl", 1    ; counter for one channel
ADMEM       .usect ".variabl", 1    ; points to act. memory save location

CRO_SEND    .usect ".variabl", 1    ; sent value to register CRO of the ADC
CRI_SEND    .usect ".variabl", 1    ; sent value to register CRI of the ADC
CR_PROBLEM  .usect ".variabl", 1    ; problem with initialization of this mode
; when repeated (reset)
ZERO        .usect ".variabl", 1    ; the value zero to send a "Zero Dummy"

ADSAMPLE    .usect ".variabl",1     ; last read sample from the ADC
* TLC5618 conversation
SERIAL_SEND .usect ".variabl", 1    ; serial output send word

* other
TEMP        .usect ".variabl", 1    ; temporary variable, can be changed anywhere
; during the program

* Address Decoder constants:
RD_CALIBRATION .set 00001h    ; activate A1 when RD_CALIBRATION is choosen
ADC           .set 00002h    ; activate A2 when TLV1562 is choosen
DAC1         .set 00003h    ; activate A3 when DAC1 is choosen
DEACTIVE     .set 00000h    ; deactivate the address lines A0, A1 and A2

* set timing mode (use od IRQ, or timer)
POLLING_DRV  .set 00001h    ; software polls the INT0 pin to wait, until
; conversion is done
INT0_DRIVEN  .set 00000h    ; software uses Interrupt INT0 to organize conversion
NO_INT0_SIG  .set 00000h    ; INT0 signal not in use, interface is controlled
; with timing solution
SAVE_INT0_MEMORY .set 00000h    ; store the samples into DSP memory, defined in
; "constants.asm"
SEND_OUT_SERIAL .set 00000h    ; send the samples always to the serial DAC
SEND_OUT_PARALLEL.set 00001h    ; update always the parallel DAC with the last
; sample (DAC1)
R10BIT_RESOLUT .set 00001h    ; use maximum resolution of 10 bit
R8BIT_RESOLUT  .set 00000h    ; use 8 Bit resolution
R4BIT_RESOLUT  .set 00000h    ; use fastest mode (4 Bit resolution)

INTERNAL_CLOCK .set 00001h    ; use the internal clock of the ADC
EXTERNAL_CLOCK .set 00000h    ; use the external clock of the ADC

AUTO_PWDN_ENABLE .set 00000h    ; ADC goes into power reduced state after conversion
DIFF_INPUT_MODE .set 00000h    ; use differential mode instead of single ended inputs
IME_CALIBRATION .set 00000h    ; do an Internal Midscale Error Calibration
SME_CALIBRATION .set 00000h    ; do a System Midscale Error Calibration
.sect ".text"

```

```

_MAIN:
START:
INITIALIZATION:
* disable IRQ, sign extension mode, ini Stack
    INTM = 1                ; disable IRQ
    SXM  = 0                ; no sign extension mode
;   SP   = #0280h          ; initialize Stack pointer

* initialize waitstates:
    DP   = #00000h         ; point to page zero
    @SWWSR = #01000h      ; one I/O wait states

* copy interrupt routine, which are not critical for the EVM to the IRQ table location:
* this is required for the DSKplus kit but has to be changed on other platforms
    DP   = #1              ; point to page 1 (IRQ vector table)
    AR7  = #00200h
    repeat(#3h)
    data(0084h) = *AR7+    ; copy the NMI vector

    AR7  = #00240h
    repeat(#35)
    data(00C0h) = *AR7+    ; copy INT0, INT1,...

* clear all memory locations of the sampling table (table, where the samples will be stored)
    DP   = #AD_DP          ;
    @TEMP = #00000h        ;
    repeat(#num_data_A-1)
    data(data_loc_A) = @TEMP ; fill memory table 1

    repeat(#num_data_B-1)
    data(data_loc_B) = @TEMP ; fill memory table 2

    repeat(#num_data_C-1)
    data(data_loc_C) = @TEMP ; fill memory table 3

    repeat(#num_data_D-1)
    data(data_loc_D) = @TEMP ; fill memory table 4

.if SEND_OUT_SERIAL
*****
* SERIAL_DAC_INI:
* initialize the serial interface to send out the samples for the serial DAC
* set up the serial interface for a DSP-DAC (5618A) conversation
* initialize the SPI interface and the DAC
* the serial interface will be updated with the last sample if the serial
* buffer is empty (after the last bit has been sent)
*****

```

```

SERIAL_DAC_INI:
BSPI_INI:
    DP      = #0
    @BSPC   = #00038h          ; reset SPI
    @BSPCE  = #00101h          ; set clock speed, no Autobuffer Mode
    @BSPC   = #0C078h          ; start serial port
.endif

.if (INT0_DRIVEN/POLLING_DRV)
* reset pending IRQs
    IFR     = #1                ; reset any old interrupt on pin INT0
.endif

.if INT0_DRIVEN
* enable Interrupt INT0
    DP      = #0
    @IMR    |= #01              ; allow INT0
.endif

* enable global interrupt (this is even required, if no IRQ routine is used
* by this program because the GoDSP debugger needs to do its background interrupts)
    INTM    = 0                  ; enable global IRQ

* initialize storage table for the ADC samples
    AR7     = #(data_loc_A)      ; point to first data location of the storage table
    AR0     = #(num_data_A+data_loc_A); AR0 points to table end
    DP      = #AD_DP            ;
    @ADCOUNT= #(num_data_A)      ; initialize ADCOUNT with the number of required samples

.if POLLING_DRV
    AR5     = #(IFR)            ; AR5 points to the IFR register (only for polling mode)
.endif

    DP      = #AD_DP
    @ZERO   = #00000            ; set the dummy send value

* initialize the send values to set-up the two programmable register of the ADC
    @CR0_SEND = #(CH1|MONO_INT|SINGLE_END|CLK_INTERNAL|NO_CALIB_OP);
    @CR1_SEND = #(NO_SW_PWDN|NO_AUTO_PWDN|NO_2COMPLEMENT|NO_DEBUG|RES_10_BIT|CST_CONV_START);

* change some of the possible modes by variation of the bit setting in the file header
* this next steps can be erased, if the user is running in only one special configuration
.if (R8BIT_RESOLUT)
    @CR1_SEND ^= #RES_10_BIT    ; clear bit for 10-Bit Resolution
    @CR1_SEND |= #RES_8_BIT     ; set 8-Bit conversion mode

```

```

.elseif (R4BIT_RESOLUT)
    @CR1_SEND ^= #RES_10_BIT      ; clear bit for 10-Bit Resolution
    @CR1_SEND |= #RES_4_BIT      ; set 8-Bit conversion mode
.endif

.if (EXTERNAL_CLOCK)
    @CR0_SEND ^= #CLK_INTERNAL  ; clear CLK_INTERNAL bit if one
    @CR0_SEND |= #CLK_EXTERNAL  ; set CLK_EXTERNAL mode
.endif

.if (AUTO_PWDN_ENABLE)
    @CR1_SEND ^= #NO_AUTO_PWDN  ; clear NO_AUTO_PWDN bit if one
    @CR1_SEND |= #AUTO_PWDN     ; set AUTO_PWDN mode
.endif

.if (DIFF_INPUT_MODE)
    @CR0_SEND ^= #SINGLE_END     ; clear single ended input bit if one
    @CR0_SEND |= #DIFFERENTIAL ; set differential input mode
.endif

.if (IME_CALIBRATION)
    call CALIBRAT_INTERNAL_MID_SCALE
.endif

.if (SME_CALIBRATION)
    call CALIBRAT_SYSTEM_MID_SCALE
.endif

*****
* ADC_INI:
* set ADC register CR0/CR1
*****
ADC_INI:
* write CR1 (to reset old CSTART mode initialization, because otherwise, the ADC never sets
* back its int- pin to show a sample is available:
    @CR_PROBLEM = #(SW_PWDN|NO_AUTO_PWDN|NO_2COMPLEMENT|NO_DEBUG|RES_10_BIT|RD_CONV_START);
    port(ADC) = @CR_PROBLEM      ; Address decoder sets  $\overline{CS}$  low,
                                ; WR- low and send CR_PROBLEM value to the ADC

    NOP                          ; wait for  $tW(CSH)=50ns$ 

* write CR1:
    port(ADC) = @CR1_SEND        ; Address decoder sets  $\overline{CS}$  low,
                                ; WR- low and send CR1 value to the ADC

    port(DEACTIVE) = @ZERO       ; deselect ADC ( $\overline{CS}$  high)
    NOP                          ; wait for  $tW(CSH)=50ns$ 

```

```

* write CRO
    port(ADC) = @CR0_SEND          ; send CRO value to the ADC
    port(DEACTIVE) = @ZERO        ; deselect ADC ( $\overline{CS}$  high)
    NOP                            ; wait for  $tW(CSH)=50ns$ 

*****

* ADC_mono_IRQ_Start:
* read samples and store them into memory
*****
ADC_mono_IRQ_Start:
ISTEP2: XF      = 0                ; clear  $\overline{CSTART}$ 
ISTEP3: NOP
        NOP
        NOP                        ; wait for  $TW(CSTARTL)$ 
ISTEP4: XF      = 1                ; set  $\overline{CSTART}$ 

STEP5:
    .if POLLING_DRV
* wait until INT- goes low in polling the INT0 pin:
M1:   TC      = bit(*AR5,15-0)    ; test, is the  $\overline{INT0}$  Bit in IFR=1?
        if (NTC) goto M1          ; wait until  $\overline{INT}$  signal goes high
        IFR    = #1               ; reset any old interrupt on pin  $\overline{INT0}$ 

    .elseif INTO_DRIVEN
* user main program area (this could execute additional code)
* go into idle state until the  $\overline{INT0}$  wakes the processor up
USER_MAIN: IDLE(2)                ; the user software could do something else here
        goto USER_MAIN          ;

    .elseif NO_INT0_SIG
* instead of using the  $\overline{INT}$  signal, the processor waits
* for 6ADCSYSCLK+49ns and reads then the sample
        repeat(#32)
        nop                        ; wait for 34 processor cycles
    .endif

* read sample
STEP2: XF      = 0                ; clear  $\overline{CSTART}$ 
STEP10: @ADSAMPLE = port(ADC)    ; read the new sample into the DSP

    .if (AUTO_PWDN)
* wait 800ns before finishing the sampling (requirement in Auto power down mode)
        repeat(#24)
        nop                        ; wait for 20 clock cycles [ $t(APDR)=500ns$ ]
    .endif

```

```

STEP4: XF      = 1                ; wait for TW(CSTARTL) and set CSTART
      call STORE                  ; store the last sample into the table

      .if INTO_DRIVEN
      return                      ; return from routine back to IRQ_INT0
      .else
      goto STEP5                  ; go back to receive next sample
      .endif

*****
* STORE:
* saving the samples into memory
*****
STORE:
      .if (SEND_OUT_PARALLEL)
* store sample into the parallel buffer location if choosen
      port(DAC1) = @ADSAMPLE      ; update DAC output
      .endif

      .if SAVE_INTO_MEMORY
* store new sample into DSP data memory
      *AR7+ = data(@ADSAMPLE)    ; write last sample into memory table
      .endif

      .if SEND_OUT_SERIAL
* store sample into the serial buffer location
      DP = #00000h                ; point to page zero
      TC = bitf(@SPC,#01000h)    ; test, is the XRDY Bit in SPC=1?
      if (TC) goto SEND_SERIAL_END ; don't send something until XDR is empty
; this has been included because the serial DAC TLC5618A is not able to understand
; endless data-stream (the CS should not become high before end of sending
; the 16th bit)
      DP = #AD_DP                ; reset Data page pointer to variables
      A = @ADSAMPLE<<2          ; leftshift of the sample for a 12 bit format
      @ADSAMPLE = A              ;
      @ADSAMPLE |= #(TLC5618_LATCH_A|TLC5618_FAST_MODE|TLC5618_POWER_UP) ; set the mode of the
DAC
      data(BDXR) = @ADSAMPLE     ; send out the sample to the serial DAC
SEND_SERIAL_END:
      .endif

      .if SAVE_INTO_MEMORY
* test for table end, set pointer back if true
      TC = (AR0 ==AR7)          ; is AR0 = AR7? (table end reached?)
      if (NTC) goto STORE_END   ;
* set pointer back to table start

```

```
    AR7    = #(data_loc_A)          ; point to first data location of the storage table
    .endif
STORE_END: RETURN                  ; jump back into data acquisition routine

*****
* IRQ_INT0:
* Interrupt routine of the external interrupt input pin INT0
*****
IRQ_INT0:
    call  STEP2                    ; initialize the next conversion and store results
    return_enable                  ; return from IRQ (wake up from the IDLE mode)

*****
* BXINT0:
* Interrupt routine of the serial transmit interrupt of the buffered SPI
*****
BXINT0:
    return_enable                  ; interrupt is not in use

.sect ".text"
.copy "calibrat.asm"

.end
```

Constants definition – see 8.6.1.1 Constants.asm

Interrupt Routine handler – see 8.6.1.2 Interrupt Vectors

8.6.5 Dual Interrupt Driven Mode

Mainprogram (DUALIRQ1.asm)

```
*****
* TITLE           : TLV1562 ADC Interface routine           *
* FILE            : DUALIRQ1.ASM                            *
* FUNCTION        : MAIN                                    *
* PROTOTYPE       : void MAIN ()                            *
* CALLS           : N/A                                     *
* PRECONDITION    : N/A                                     *
* POSTCONDITION   : N/A                                     *
* DESCRIPTION     : main routine to use the mono interrupt  *
*                   and the CSTART signal to CPU power for the conversion *
*                   time                                     *
* AUTHOR          : AAP Application Group, ICKE, Dallas     *
*                 CREATED 1998(C) BY TEXAS INSTRUMENTS INCORPORATED. *
* REFERENCE       : TMS320C54x User's Guide, TI 1997       *
*                 : Data Aquisition Circuits, TI 1998     *
*****
```

```

        .title    "DUALIRQ1"
        .mmregs
        .width    80
        .length   55
        .version  542
;        .setsect ".vectors",0x00180,0 ; sections of code
;        .setsect ".text", 0x00200,0 ; these assembler directives specify
;        .setsect ".data", 0x01800,1 ; the absolute addresses of different
;        .setsect ".variabl",0x01800,1 ; sections of code

        .sect ".vectors"
        .copy "vectors.asm"

        .sect ".data"
        .copy "constant.asm"

AD_DP      .usect ".variabl", 0 ;
ACT_CHANNEL .usect ".variabl", 1 ; jump address to init. new channel
ADWORD     .usect ".variabl", 1 ; send-bytes to the ADC
ADCOUNT   .usect ".variabl", 1 ; counter for one channel
ADMEM      .usect ".variabl", 1 ; points to act. memory save location
```



```

CRO_SEND    .usect ".variabl", 1    ; the last value, sent to register CRO
CR1_SEND    .usect ".variabl", 1    ; the last value, sent to register CR1
CR_PROBLEM  .usect ".variabl", 1    ; problem with initialization of this mode
                                         when repeated (reset)

ZERO        .usect ".variabl", 1    ; the value zero to send
TEMP        .usect ".variabl", 1    ; temporary variable

isr_save    .usect ".variabl", 1    ; memory location to save AR7 during
                                         ; interrupts

CH1_ADSAMPLE .usect ".variabl",1    ; last read sample of channel 1
CH2_ADSAMPLE .usect ".variabl",1    ; last read sample of channel 2

* Address Decoder constants:
ADC         .set    00002h          ; activate A0 when TLV1562 is choosen
CSTART     .set    00001h          ; activate A1 when CSTART is choosen
DAC1       .set    00003h          ; activate A2 when DAC1 is choosen
DEACTIVE   .set    00000h          ; deactivate the address lines A0, A1 and A2

* set timing mode (use od IRQ, or timer)
POLLING_DRV .set    00001h          ; software polls the INT0 pin to wait, until
                                         conversion is done
INT0_DRIVEN .set    00000h          ; software uses Interrupt INT0 to wait for end of
                                         conversion
NO_INT0_SIG .set    00000h          ; INT0 signal not in use, timing solution

SAVE_INT0_MEMORY.set    00001h          ; store the samples into DSP memory
SEND_OUT_SERIAL .set    00000h          ; store the last sample always into serial buffer memory
SEND_OUT_PARALLEL.set    00001h          ; store the last sample always into DAC1

R10BIT_RESOLUT .set    00001h          ; use maximum resolution of 10 bit
R8BIT_RESOLUT  .set    00000h          ; use 8 Bit resolution
R4BIT_RESOLUT  .set    00000h          ; use fastest mode (4 Bit resolution)

INTERNAL_CLOCK .set    00001h          ; use the internal clock of the ADC
EXTERNAL_CLOCK .set    00000h          ; use the external clock of the ADC

AUTO_PWDN_ENABLE.set    00000h          ; ADC goes into power reduced state after conversion

DIFF_INPUT_MODE .set    00000h          ; use differential mode instead of single ended inputs

IME_CALIBRATION .set    00000h          ; do an Internal Midscale Error Calibration
SME_CALIBRATION .set    00000h          ; do a System Midscale Error Calibration
    .sect ".text"

_MAIN:
START:
INITIALIZATION:
* disable IRQ, sign extension mode, ini Stack

```

```

    INTM = 1                ; disable IRQ
    SXM  = 0                ; no sign extension mode
;   SP   = #0280h          ; initialize Stack pointer

* initialize waitstates:
    DP   = #00000h         ; point to page zero
    @SWWSR = #01000h      ; one I/O wait states

* copy interrupt routine, which are uncritical by the EVM to the IRQ table location:
* this is required for the DSKplus kit but has to be changed on other platforms
    DP   = #1              ; point to page 1 (IRQ vector table)
    AR7  = #00200h
    repeat(#3h)
    data(0084h) = *AR7+    ; copy the NMI vector

    AR7  = #00240h
    repeat(#35)
    data(00C0h) = *AR7+    ; copy INT0, INT1,...

* clear all memory locations of the sampling table (table, where the samples will be stored)
    DP   = #AD_DP         ;
    @TEMP = #00000h      ;
    repeat(#num_data_A-1)
    data(data_loc_A) = @TEMP ; fill memory table 1

    repeat(#num_data_B-1)
    data(data_loc_B) = @TEMP ; fill memory table 2

    repeat(#num_data_C-1)
    data(data_loc_C) = @TEMP ; fill memory table 3

    repeat(#num_data_D-1)
    data(data_loc_D) = @TEMP ; fill memory table 4

.if SEND_OUT_SERIAL
*****
* SERIAL_DAC_INI:
* initialize the serial interface to send out the samples for the serial DAC
* set up the serial interface for a DSP to DAC (5618A) conversation
* initialize the SPI interface and the DAC
* the serial interface will be updated with the last sample if the serial
* buffer is empty (after the last bit has been send)
*****
SERIAL_DAC_INI:
BSPI_INI:
    DP   = #0
    @BSPC = #00038h      ; reset SPI

```

```

    @BSPCE = #00101h          ; set clock speed, no Autobuffer Mode
    @BSPC  = #0C078h          ; start serial port
.endif

.if (INT0_DRIVEN/POLLING_DRV)
* reset pending IRQs
    IFR = #1                  ; reset any old interrupt on pin INT0
.endif

.if INT0_DRIVEN
* enable Interrupt INT0
    DP = #0
    @IMR |= #01              ; allow INT0
.endif

* enable global interrupt (this is even required, if no IRQ routine is used
* by this program because the GoDSP debugger needs to do its background interrupts)
    INTM = 0                  ; enable global IRQ

* initialize storage table for the ADC samples
    AR7 = #(data_loc_A)      ; point to first data location of the storage table
    AR0 = #(num_data_A+data_loc_A); AR0 points to table end
    DP = #AD_DP              ;
    @ADCOUNT= #(num_data_A)  ; initialize ADCOUNT with the number of required samples

.if POLLING_DRV
    AR5 = #(IFR)             ; AR5 points to the IFR register (only for polling mode)
.endif

    DP = #AD_DP
    @ZERO = #00000          ; set the dummy send value

* initialize the send values to set-up the two programmable register of the ADC
    @CR0_SEND = #(CH1|MONO_INT|SINGLE_END|CLK_INTERNAL|NO_CALIB_OP);
    @CR1_SEND = #(NO_SW_PWDN|NO_AUTO_PWDN|NO_2COMPLEMENT|NO_DEBUG|RES_10_BIT|CST_CONV_START);

* change some of the possible modes by variation of the bit setting in the file header
* this next steps can be erased, if the user is running in only one special configuration
.if (R8BIT_RESOLUT)
    @CR1_SEND ^= #RES_10_BIT ; clear bit for 10-Bit Resolution
    @CR1_SEND |= #RES_8_BIT  ; set 8-Bit conversion mode

.elseif (R4BIT_RESOLUT)
    @CR1_SEND ^= #RES_10_BIT ; clear bit for 10-Bit Resolution
    @CR1_SEND |= #RES_4_BIT  ; set 8-Bit conversion mode
.endif

```

```

.if (EXTERNAL_CLOCK)
    @CR0_SEND ^= #CLK_INTERNAL ; clear CLK_INTERNAL bit if one
    @CR0_SEND |= #CLK_EXTERNAL ; set CLK_EXTERNAL mode
.endif

.if (AUTO_PWDN_ENABLE)
    @CR1_SEND ^= #NO_AUTO_PWDN ; clear NO_AUTO_PWDN bit if one
    @CR1_SEND |= #AUTO_PWDN ; set AUTO_PWDN mode
.endif

.if (DIFF_INPUT_MODE)
    @CR0_SEND ^= #SINGLE_END ; clear single ended input bit if one
    @CR0_SEND |= #DIFFERENTIAL ; set differential input mode
.endif

*****
* Calibration:
* do a calibration of the input if choosen (the location of this instruction
* is only for an EVM test, in practice, the calibration procedure should
* be executed when the inputs are shorted to the correct voltage and after
* calibration, the analog signal is to apply before doing any further signal
* conversion)
* the calibration implementation is more or less inserted as an example
*****
.if (IME_CALIBRATION)
    call CALIBRAT_INTERNAL_MID_SCALE
.endif
.if (SME_CALIBRATION)
    call CALIBRAT_SYSTEM_MID_SCALE
.endif

*****
* ADC_INI:
* set ADC register CR0/CR1
*****
ADC_INI:
* write CR1 (to reset old CSTART mode initialization, because otherwise, the ADC never sets
* back its INT pin to show a sample is available:
    @CR_PROBLEM = #(SW_PWDN|NO_AUTO_PWDN|NO_2COMPLEMENT|NO_DEBUG|RES_10_BIT|RD_CONV_START);
    port(ADC) = @CR_PROBLEM ; Address decoder sets CS low,
                          ; WR- low and send CR_PROBLEM value to the ADC

    NOP ; wait for tW(CSH)=50ns

* write CR1:
    port(ADC) = @CR1_SEND ; Address decoder sets CS low,
                          ; WR- low and send CR1 value to the ADC

```

```

    port(DEACTIVE) = @ZERO          ; deselect ADC ( $\overline{CS}$  high)
    NOP                             ; wait for  $tW(CSH)=50ns$ 

* write CR0
    port(ADC) = @CR0_SEND           ; send CR0 value to the ADC
STEP1: port(DEACTIVE) = @ZERO      ; deselect ADC ( $\overline{CS}$  high)
    NOP                             ;

*****
* ADC_dual_IRQ_Start:
* read samples and store them into memory
*****
ADC_dual_IRQ_Start:
ISTEP2: XF      = 0                ; clear  $\overline{CSTART}$ 
ISTEP3: NOP
    NOP
    NOP                             ; wait for  $TW(CSTARTL)$ 
    .if (AUTO_PWDN_ENABLE)
* wait 800ns before finishing the sampling (requirement in Auto power down mode)
    repeat(#38)
        nop                         ; wait for 40 clock cycles [ $t(APDR)=1000ns$ ]
    .endif
ISTEP4: XF      = 1                ; set  $\overline{CSTART}$ 

STEP5:
    .if POLLING_DRV
* wait until INT- goes low in polling the INT0 pin:
M1:   TC      = bit(*AR5,15-0)     ; test, is the  $\overline{INT0}$  Bit in IFR=1?
    if (NTC) goto M1               ; wait until  $\overline{INT}$  signal went high
    IFR      = #1                  ; reset any old interrupt on pin  $\overline{INT0}$ 

    .elseif INTO_DRIVEN
* user main program area (this could execute additional code)
* go into idle state until the  $\overline{INT0}$  wakes the processor up
USER_MAIN: IDLE(2)                 ; the user software could do something else here
    goto USER_MAIN                ;

    .elseif NO_INT0_SIG
* instead of using the  $\overline{INT}$  signal, the processor waits
* for 6ADCSYSCLK+49ns and reads then the sample
    repeat(#32)
        nop                         ; wait for 34 processor cycles
    .endif

```

```

* read sample
STEP2: XF      = 0                ; clear CSTART
STEP10: @CH1_ADSAMPLE = port(ADC) ; read the new sample into the DSP
STEP14: @CH2_ADSAMPLE = port(ADC) ; read the new sample into the DSP
STEP3:                ; wait for TW(CSTARTL)
        .if (AUTO_PWDN_ENABLE)
* wait 800ns before finishing the sampling (requirement in Auto power down mode)
    repeat(#38)
        nop                ; wait for 40 clock cycles [t(APDR)=1000ns]
        .endif
STEP4: XF      = 1                ; wait for TW(CSTARTL) and set CSTART
        call STORE           ; store the last sample into the table
        .if INTO_DRIVEN
            return           ; return from routine back to IRQ_INT0
        .else
            goto STEP5       ; go back to receive next sample
        .endif

*****
* STORE:
* saving the samples into memory
*****
STORE:
        .if (SEND_OUT_PARALLEL)
* store sample into the parallel buffer location if chosen
    port(DAC1) = @CH1_ADSAMPLE ; update DAC output with sample one
        .endif
        .if SAVE_INTO_MEMORY
* store new sample into DSP data memory
    *AR7+ = data(@CH1_ADSAMPLE) ; write last sample of channel 1 into memory table
    *AR6+ = data(@CH2_ADSAMPLE) ; write last sample of channel 2 into memory table
        .endif
        .if SEND_OUT_SERIAL
* store sample into the serial buffer location
    DP = #00000h                ; point to page zero
    TC = bitf(@SPC,#01000h); test, is the XRDY Bit in SPC=1?
    if (TC) goto SEND_SERIAL_END ; don't send something until XDR is empty
; this has been included because the serial DAC TLC5618A isn't able to understand
; endless data-stream (the CS should not become high before end of sending
; the 16th bit)
    DP = #AD_DP                ; reset Data page pointer to variables
    A = @ADSAMPLE<<2           ; leftshift of the sample for a 12 bit format
    @ADSAMPLE = A              ;

```

```

@ADSAMPLE |= #(TLC5618_LATCH_A|TLC5618_FAST_MODE|TLC5618_POWER_UP) ; set the mode of the
DAC
data(BDXR) = @ADSAMPLE ; send out the sample to the serial DAC
SEND_SERIAL_END:
    .endif
* test for table end, set pointer back if true
    .if SAVE_INT0_MEMORY
        TC = (AR0 == AR7) ; is AR7 = AR0? (table end reached?)
        if (NTC) goto STORE_END ;
* set pointer back to table start
        AR7 = #(data_loc_A) ; point to first date location of the storage table
        AR6 = #(data_loc_B) ; point to first date location of the storage table
    .endif
STORE_END: RETURN ; jump back into data aquisition routine
*****
* IRQ_INT0:
* Interrupt routine of the external interrupt input pin INT0
*****
IRQ_INT0:
    call STEP2 ; initialize the next conversion and store results
    return_enable ; return from IRQ (wake up from the IDLE mode)
*****
* BXINT0:
* Interrupt routine of the serial transmit interrupt of the buffered SPI
*****
BXINT0:
    return_enable ; interrupt is not in use
.sect ".text"
.copy "calibrat.asm"
.end

```

Constants definition – see 8.6.1.1 Constants.asm

Interrupt Routine handler – see 8.6.1.2 Interrupt Vectors

8.6.6 Mono Continuous Mode

Mainprogram (MONOCON1.asm)

```

*****
* TITLE           : TLV1562 ADC Interface routine           *
* FILE            : MONOCON1.ASM                           *
* FUNCTION        : MAIN                                    *
* PROTOTYPE       : void MAIN ()                           *
* CALLS           : N/A                                     *
* PRECONDITION    : N/A                                     *
* POSTCONDITION   : N/A                                     *
* DESCRIPTION     : main routine to use the mono continuous driven mode *
* AUTHOR          : AAP Application Group, ICKE, Dallas     *
*                 : CREATED 1998(C) BY TEXAS INSTRUMENTS INCORPORATED. *
* REFERENCE       : TMS320C54x User's Guide, TI 1997       *
*                 : Data Aquisition Circuits, TI 1998     *
*****

        .title "MONOCON1"
        .mmregs
        .width 80
        .length 55
        .version 542
;       .setsect ".vectors", 0x00180,0 ; sections of code
;       .setsect ".text", 0x00200,0 ; these assembler directives specify
;       .setsect ".data", 0x01800,1 ; the absolute addresses of different
;       .setsect ".variabl", 0x01800,1 ; sections of code
        .sect ".vectors"
        .copy "vectors.asm"
        .sect ".data"
        .copy "constant.asm"
AD_DP      .usect ".variabl", 0 ;
ACT_CHANNEL .usect ".variabl", 1 ; jump address to init. new channel
ADWORD     .usect ".variabl", 1 ; send-bytes to the ADC
ADCOUNT    .usect ".variabl", 1 ; counter for one channel
ADMEM      .usect ".variabl", 1 ; points to act. memory save location
CR0_SEND   .usect ".variabl", 1 ; the last value, sent to register CR0
CR1_SEND   .usect ".variabl", 1 ; the last value, sent to register CR1
CR_PROBLEM .usect ".variabl", 1 ; problem with initialization of this mode when
                    repeated (reset)
ZERO       .usect ".variabl", 1 ; the value zero to send
TEMP       .usect ".variabl", 1 ; temporary variable

```



```

isr_save      .usect ".variabl", 1      ; memory location to save AR7 during
                                           ; interrupts

ADSAMPLE      .usect ".variabl", 1      ; last read sample from the ADC

* Address Decoder constants:
ADC           .set  00002h              ; activate A0 when TLV1562 is choosen
RD_CALIBRATION .set  00001h              ; activate A1 when CSTART is choosen
DAC1          .set  00003h              ; activate A2 when DAC1 is choosen
DEACTIVE      .set  00000h              ; deactivate the address lines A0, A1 and A2
SAVE_INTO_MEMORY .set  00000h          ; store the samples into DSP memory
SEND_OUT_SERIAL .set  00000h           ; store the last sample allways into serial buffer memory
SEND_OUT_PARALLEL.set  00001h         ; store the last sample allways into DAC1
R10BIT_RESOLUT .set  00001h           ; use maximum resolution of 10-bit
R8BIT_RESOLUT  .set  00000h           ; use 8-Bit resolution
R4BIT_RESOLUT  .set  00000h           ; use fastest mode (4-Bit resolution)
INTERNAL_CLOCK .set  00001h           ; use the internal clock of the ADC
EXTERNAL_CLOCK .set  00000h           ; use the external clock of the ADC
DIFF_INPUT_MODE .set  00000h          ; use differential mode instead of single ended inputs
IME_CALIBRATION .set  00000h          ; do an Internal Midscale Error Calibration
SME_CALIBRATION .set  00000h          ; do a System Midscale Error Calibration
    .sect ".text"

_MAIN:
START:
INITIALIZATION:
* disable IRQ, sign extension mode, ini Stack
    INTM = 1                ; disable IRQ
    SXM = 0                 ; no sign extension mode
;    SP = #0280h            ; initialize Stack pointer
* initialize waitstates:
    DP = #00000h           ; point to page zero
    @SWWSR = #01000h       ; one I/O wait states
* copy interrupt routine, which are not critical for the EVM to the IRQ table location:
* this is required for the DSKplus kit but has to be changed on other platforms
    DP = #1                ; point to page 1 (IRQ vector table)
    AR7 = #00200h
    repeat(#3h)
    data(0084h) = *AR7+      ; copy the NMI vector
    AR7 = #00240h
    repeat(#35)
    data(00C0h) = *AR7+      ; copy INT0, INT1, ...
* clear all memory locations of the sampling table (table, where the samples will be stored)
    DP = #AD_DP            ;
    @TEMP = #00000h        ;
    repeat(#num_data_A-1)

```

```

    data(data_loc_A) = @TEMP          ; fill memory table 1
    repeat(#num_data_B-1)
    data(data_loc_B) = @TEMP          ; fill memory table 2
    repeat(#num_data_C-1)
    data(data_loc_C) = @TEMP          ; fill memory table 3
    repeat(#num_data_D-1)
    data(data_loc_D) = @TEMP          ; fill memory table 4
.if SEND_OUT_SERIAL
*****
* SERIAL_DAC_INI:
* initialize the serial interface to send out the samples for the serial DAC
* set up the serial interface for a DSP-DAC (5618A) conversation
* initialize the SPI interface and the DAC
* the serial interface will be updated with the last sample if the serial
* buffer is empty (after the last bit has been send)
*****
SERIAL_DAC_INI:
BSPI_INI:
    DP      = #0
    @BSPC   = #00038h          ; reset SPI
    @BSPCE  = #00101h          ; set clock speed, no Autobuffer Mode
    @BSPC   = #0C078h          ; start serial port
.endif
* enable global interrupt (this is even required, if no IRQ routine is used
* by this program because the GoDSP debugger needs to do its background interrupts)
    INTM    = 0                ; enable global IRQ
* initialize storage table for the ADC samples
    AR7     = #(data_loc_A)    ; point to first data location of the storage table
    AR0     = #(num_data_A+data_loc_A) ; AR0 points to table end
    DP      = #AD_DP           ;
    @ADCOUNT= #(num_data_A)    ; initialize ADCOUNT with the number of required samples
    DP      = #AD_DP
    @ZERO   = #00000           ; set the dummy send value
* initialize the send values to set-up the two programmable register of the ADC
    @CR0_SEND = #(CH1|MONO_CONTINUOUS|SINGLE_END|CLK_INTERNAL|NO_CALIB_OP);
    @CR1_SEND = #(NO_SW_PWDN|NO_AUTO_PWDN|NO_2COMPLEMENT|NO_DEBUG|RES_10_BIT|RD_CONV_START);
* change some of the possible modes by variation of the bit setting in the file header
* this next step can be erased, if the user is running in only one special configuration
.if (R8BIT_RESOLUT)
    @CR1_SEND ^= #RES_10_BIT    ; clear bit for 10-Bit Resolution
    @CR1_SEND |= #RES_8_BIT     ; set 8-Bit conversion mode
.elseif (R4BIT_RESOLUT)
    @CR1_SEND ^= #RES_10_BIT    ; clear bit for 10-Bit Resolution

```

```

    @CR1_SEND |= #RES_4_BIT           ; set 8-Bit conversion mode
.endif
.if (EXTERNAL_CLOCK)
    @CR0_SEND ^= #CLK_INTERNAL       ; clear CLK_INTERNAL bit if one
    @CR0_SEND |= #CLK_EXTERNAL       ; set CLK_EXTERNAL mode
.endif
.if (DIFF_INPUT_MODE)
    @CR0_SEND ^= #SINGLE_END          ; clear single ended input bit if one
    @CR0_SEND |= #DIFFERENTIAL       ; set differential input mode
.endif
*****
* Calibration:
* do a calibration of the input if chosen (the location of this instruction
* is only for an EVM test, in practice, the calibration procedure should
* be executed when the inputs are shorted to the correct voltage and after
* calibration, the analog signal is to apply before doing any further signal
* conversion)
* the calibration implementation is more or less inserted as an example
*****
.if (IME_CALIBRATION)
    call CALIBRAT_INTERNAL_MID_SCALE
.endif
.if (SME_CALIBRATION)
    call CALIBRAT_SYSTEM_MID_SCALE
.endif
*****
* ADC_INI:
* set ADC register CR0/CR1
*****
ADC_INI:
* write CR1:
    port(ADC) = @CR1_SEND             ; Address decoder sets  $\overline{CS}$  low,
                                        ;  $\overline{WR}$ - low and send CR1 value to the ADC
    NOP                               ; wait for  $tW(CSH)=50ns$ 
* write CR0
    port(ADC) = @CR0_SEND             ; send CR0 value to the ADC
STEP1: port(DEACTIVE) = @ZERO        ; deselect ADC ( $\overline{CS}$  high)
STEP2: NOP                            ;
    NOP                               ;
    NOP                               ; wait for  $t(SAMPLE1)=100ns$ 
* initialize longer waitstates:
    DP = #0000h                       ; point to page zero
    @SWWSR = #0700h                   ; one I/O wait states

```

```

    DP = #AD_DP ;
*****
* ADC_mono_con_Start:
* read samples and store them into memory
*****
ADC_mono_con_Start:
    repeat(#12)
        NOP ; wait for t(SAMPLES) (450ns)
STEP6: @ADSAMPLE = port(ADC) ; read the new sample into the DSP
* IMPORTANT: fine-tune the counter number of the next repeat loop in order
* to achieve maximum throughput related to the delay of the store instructions
STEP7: repeat(#7)
    NOP ; wait for t(CONV1) (about 800ns)
STEP8: call STORE ; store the last sample into the table
    goto STEP6 ; go back to receive next sample
*****
* STORE:
* saving the samples into memory
*****
STORE:
    .if (SEND_OUT_PARALLEL)
* store sample into the parallel buffer location if chosen
    port(DAC1) = @ADSAMPLE ; update DAC output
    .endif
    .if SAVE_INTO_MEMORY
* store new sample into DSP data memory
    *AR7+ = data(@ADSAMPLE) ; write last sample into memory table
    .endif
    .if SEND_OUT_SERIAL
* store sample into the serial buffer location
    DP = #00000h ; point to page zero
    TC = bitf(@SPC,#01000h) ; test, is the XRDY Bit in SPC=1?
    if (TC) goto SEND_SERIAL_END ; don't send something until XDR is empty
; this has been included because the serial DAC TLC5618A is not able to understand
; endless data-stream (the CS should not become high before end of sending
; the 16th bit)
    DP = #AD_DP ; reset Data page pointer to variables
    A = @ADSAMPLE<<2 ; leftshift of the sample for a 12-bit format
    @ADSAMPLE = A ;
    @ADSAMPLE |= #(TLC5618_LATCH_A|TLC5618_FAST_MODE|TLC5618_POWER_UP) ; set the
mode of the DAC
    data(BDXR) = @ADSAMPLE ; send out the sample to the serial DAC
SEND_SERIAL_END:

```

```
.endif
.if SAVE_INT0_MEMORY
* test for table end, set pointer back if true
  TC  = (AR0 ==AR7)           ; is AR0 = AR7? (table end reached?)
  if (NTC) goto STORE_END    ;
* set pointer back to table start
  AR7  = #(data_loc_A)       ; point to first data location of the storage table
.endif
STORE_END: RETURN            ; jump back into data acquisition routine
*****
* IRQ_INT0:
* Interrupt routine of the external interrupt input pin INT0
*****
IRQ_INT0:
  return_enable              ; interrupt is not in use
*****
* BXINT0:
* Interrupt routine of the serial transmit interrupt of the buffered SPI
*****
BXINT0:
  return_enable              ; interrupt is not in use
.sect ".text"
.copy "calibrat.asm"
.end
```

Constants definition – see 8.6.1.1 Constants.asm

Interrupt Routine handler – see 8.6.1.2 Interrupt Vectors

8.6.7 Dual Continuous Mode

Mainprogram (DUALCON1.asm)

```

*****
* TITLE           : TLV1562 ADC Interface routine           *
* FILE            : DUALCON1.ASM                           *
* FUNCTION        : MAIN                                    *
* PROTOTYPE       : void MAIN ()                           *
* CALLS           : N/A                                     *
* PRECONDITION    : N/A                                     *
* POSTCONDITION   : N/A                                     *
* DESCRIPTION     : main routine to use the mono continuous driven mode *
* AUTHOR          : AAP Application Group, ICKE, Dallas     *
*                 : CREATED 1998(C) BY TEXAS INSTRUMENTS INCORPORATED. *
* REFERENCE       : TMS320C54x User's Guide, TI 1997       *
*                 : Data Aquisition Circuits, TI 1998     *
*****

        .title "DUALCON1"
        .mmregs
        .width 80
        .length 55
        .version 542
;       .setsect ".vectors", 0x00180,0 ; sections of code
;       .setsect ".text", 0x00200,0 ; these assembler directives specify
;       .setsect ".data", 0x01800,1 ; the absolute addresses of different
;       .setsect ".variabl", 0x01800,1 ; sections of code
        .sect ".vectors"
        .copy "vectors.asm"
        .sect ".data"
        .copy "constant.asm"
AD_DP          .usect ".variabl", 0 ;
ACT_CHANNEL    .usect ".variabl", 1 ; jump address to init. new channel
ADWORD        .usect ".variabl", 1 ; send-bytes to the ADC
ADCOUNT       .usect ".variabl", 1 ; counter for one channel
ADMEM         .usect ".variabl", 1 ; points to act. memory save location
CR0_SEND      .usect ".variabl", 1 ; the last value, sent to register CR0
CR1_SEND      .usect ".variabl", 1 ; the last value, sent to register CR1
CR_PROBLEM    .usect ".variabl", 1 ; problem with initialization of this mode
              when repeated (reset)
ZERO          .usect ".variabl", 1 ; the value zero to send
TEMP         .usect ".variabl", 1 ; temporary variable

```

```

isr_save          .usect ".variabl", 1 ; memory location to save AR7 during
                                   ; interrupts

CH1_ADSAMPLE     .usect ".variabl", 1 ; last readed sample of channel 1
CH2_ADSAMPLE     .usect ".variabl", 1 ; last readed sample of channel 2
* Address Decoder constants:
ADC              .set  00002h      ; activate A0 when TLV1562 is choosen
RD_CALIBRATION  .set  00001h      ; activate A1 when CSTART is choosen
DAC1            .set  00003h      ; activate A2 when DAC1 is choosen
DEACTIVE        .set  00000h      ; deactivate the address lines A0, A1 and A2
SAVE_INT0_MEMORY .set  00001h      ; store the samples into DSP memory
SEND_OUT_SERIAL .set  00000h      ; store the last sample allways into serial buffer memory
SEND_OUT_PARALLEL .set 00001h     ; store the last sample allways into DAC1
R10BIT_RESOLUT .set  00001h      ; use maximum resolution of 10-bit
R8BIT_RESOLUT   .set  00000h      ; use 8-Bit resolution
R4BIT_RESOLUT   .set  00000h      ; use fastest mode (4-Bit resolution)
INTERNAL_CLOCK  .set  00001h      ; use the internal clock of the ADC
EXTERNAL_CLOCK  .set  00000h      ; use the external clock of the ADC
DIFF_INPUT_MODE .set  00000h      ; use differential mode instead of single ended inputs
IME_CALIBRATION .set  00000h      ; do an Internal Midscale Error Calibration
SME_CALIBRATION .set  00000h      ; do a System Midscale Error Calibration
    .sect ".text"
_MAIN:
START:
INITIALIZATION:
* disable IRQ, sign extension mode, ini Stack
    INTM = 1                ; disable IRQ
    SXM  = 0                ; no sign extension mode
;    SP   = #0280h          ; initialize Stack pointer
* initialize waitstates:
    DP   = #00000h          ; point to page zero
    @SWWSR = #01000h        ; one I/O wait states
* copy interrupt routine, which are uncritical by the EVM to the IRQ table location:
* this is required for the DSKplus kit but has to be changed on other platforms
    DP   = #1                ; point to page 1 (IRQ vector table)
    AR7  = #00200h
    repeat(#3h)
    data(0084h) = *AR7+      ; copy the NMI vector
    AR7  = #00240h
    repeat(#35)
    data(00C0h) = *AR7+      ; copy INT0, INT1, ...
* clear all memory locations of the sampling table (table, where the samples will be stored)
    DP   = #AD_DP            ;
    @TEMP = #00000h         ;

```

```

repeat(#num_data_A-1)
data(data_loc_A) = @TEMP          ; fill memory table 1
repeat(#num_data_B-1)
data(data_loc_B) = @TEMP          ; fill memory table 2
repeat(#num_data_C-1)
data(data_loc_C) = @TEMP          ; fill memory table 3
repeat(#num_data_D-1)
data(data_loc_D) = @TEMP          ; fill memory table 4
.if SEND_OUT_SERIAL
*****
* SERIAL_DAC_INI:
* initialize the serial interface to send out the samples for the serial DAC
* set up the serial interface for a DSP-DAC (5618A) conversation
* initialize the SPI interface and the DAC
* the serial interface will be updated with the last sample if the serial
* buffer is empty (after the last bit has been sent)
*****
SERIAL_DAC_INI:
BSPI_INI:
    DP      = #0
    @BSPC   = #00038h          ; reset SPI
    @BSPCE  = #00101h          ; set clock speed, no Autobuffer Mode
    @BSPC   = #0C078h          ; start serial port
.endif
* enable global interrupt (this is even required, if no IRQ routine is used
* by this program because the GoDSP debugger needs to do its background interrupts)
    INTM    = 0                ; enable global IRQ
* initialize storage table for the ADC samples
    AR7     = #(data_loc_A)      ; point to first data location of the storage table
    AR0     = #(num_data_A+data_loc_A) ; AR0 points to table end
    DP      = #AD_DP             ;
    @ADCOUNT= #(num_data_A)      ; initialize ADCOUNT with the number of required samples
    DP      = #AD_DP
    @ZERO   = #00000            ; set the dummy send value
* initialize the send values to set-up the two programmable register of the ADC
    @CR0_SEND = #(CH1|MONO_CONTINUOUS|SINGLE_END|CLK_INTERNAL|NO_CALIB_OP);
    @CR1_SEND = #(NO_SW_PWDN|NO_AUTO_PWDN|NO_2COMPLEMENT|NO_DEBUG|RES_10_BIT|RD_CONV_START);
* change some of the possible modes by variation of the bit setting in the file header
* this next step can be erased, if the user is running in only one special configuration
.if (R8BIT_RESOLUT)
    @CR1_SEND ^= #RES_10_BIT      ; clear bit for 10-Bit Resolution
    @CR1_SEND |= #RES_8_BIT       ; set 8-Bit conversion mode
.elseif (R4BIT_RESOLUT)

```



```

    @CR1_SEND ^= #RES_10_BIT          ; clear bit for 10-Bit Resolution
    @CR1_SEND |= #RES_4_BIT           ; set 8-Bit conversion mode
.endif
.if (EXTERNAL_CLOCK)
    @CR0_SEND ^= #CLK_INTERNAL        ; clear CLK_INTERNAL bit if one
    @CR0_SEND |= #CLK_EXTERNAL        ; set CLK_EXTERNAL mode
.endif
.if (DIFF_INPUT_MODE)
    @CR0_SEND ^= #SINGLE_END           ; clear single ended input bit if one
    @CR0_SEND |= #DIFFERENTIAL        ; set differential input mode
.endif
*****
* Calibration:
* do a calibration of the input if chosen (the location of this instruction
* is only for an EVM test, in practice, the calibration procedure should
* be executed when the inputs are shorted to the correct voltage and after
* calibration, the analog signal is to apply before doing any further signal
* conversion)
* the calibration implementation is more or less inserted as an example
*****
.if (IME_CALIBRATION)
    call CALIBRAT_INTERNAL_MID_SCALE
.endif
.if (SME_CALIBRATION)
    call CALIBRAT_SYSTEM_MID_SCALE
.endif
*****
* ADC_INI:
* set ADC register CR0/CR1
*****
ADC_INI:
* write CR1:
    port(ADC) = @CR1_SEND             ; Address decoder sets  $\overline{CS}$  low,
                                        ;  $\overline{WR}$  low and send CR1 value to the ADC
    NOP                               ; wait for  $tW(CSH)=50ns$ 
* write CR0
    port(ADC) = @CR0_SEND             ; send CR0 value to the ADC
STEP1: port(DEACTIVE) = @ZERO         ; deselect ADC ( $\overline{CS}$  high)
STEP2: NOP                            ;
    NOP                               ;
    NOP                               ; wait for  $t(SAMPLE1)=100ns$ 
* initialize longer waitstates:
    DP = #00000h                     ; point to page zero

```

```

    @SWWSR = #07000h          ; one I/O wait states
    DP     = #AD_DP          ;
*****
* ADC_dual_con_Start:
* read samples and store them into memory
*****
ADC_dual_con_Start:
    repeat(#12)
        NOP                  ; wait for t(SAMPLES) (450ns)
STEP6: @CH1_ADSAMPLE = port(ADC) ; read the new sample into the DSP
STEP7: repeat(#20)
        NOP                  ; wait for t(CONV1) (about 800ns)
STEP10: @CH2_ADSAMPLE = port(ADC); read the new sample into the DSP
* IMPORTANT: fine-tune the counter number of the next repeat loop in order
* to achive maximum throughput related to the delay of the store instructions
STEP11: repeat(#7)
        NOP                  ; wait for t(CONV1) (about 800ns)
STEP12: call  STORE          ; store the last sample into the table
        goto  STEP6          ; go back to receive next sample
*****
* STORE:
* saving the samples into memory
*****
STORE:
    .if (SEND_OUT_PARALLEL)
* store sample into the parallel buffer location if choosen
    port(DAC1) = @CH1_ADSAMPLE ; update DAC output with sample one
    .endif
    .if SAVE_INTO_MEMORY
* store new sample into DSP data memory
    *AR7+ = data(@CH1_ADSAMPLE) ; write last sample of channel 1 into memory table
    *AR6+ = data(@CH2_ADSAMPLE) ; write last sample of channel 2 into memory table
    .endif
    .if SEND_OUT_SERIAL
* store sample into the serial buffer location
    DP = #00000h          ; point to page zero
    TC = bitf(@SPC,#01000h) ; test, is the XRDY Bit in SPC=1?
    if (TC) goto SEND_SERIAL_END ; don't send something until XDR is empty
; this has been included because the serial DAC TLC5618A is not able to understand
; endless data-stream (the CS should not become high before end of sending
; the 16th bit)
    DP = #AD_DP          ; reset Data page pointer to variables
    A = @ADSAMPLE<<2    ; leftshift of the sample for a 12 bit format

```

```

@ADSAMPLE = A                                ;
@ADSAMPLE |= #(TLC5618_LATCH_A|TLC5618_FAST_MODE|TLC5618_POWER_UP) ; set the mode of
                                                the DAC

data(BDXR) = @ADSAMPLE                        ; send out the sample to the serial DAC
SEND_SERIAL_END:
.endif
* test for table end, set pointer back if true
.if SAVE_INTO_MEMORY
    TC    = (AR0 == AR7)                      ; is AR7 = AR0? (table end reached?)
    if (NTC) goto STORE_END                  ;
* set pointer back to table start
    AR7    = #(data_loc_A)                   ; point to first date location of the storage table
    AR6    = #(data_loc_B)                   ; point to first date location of the storage table
.endif
STORE_END: RETURN                            ; jump back into data aquisition routine
*****
* IRQ_INT0:
* Interrupt routine of the external interrupt input pin INT0
*****
IRQ_INT0:
    return_enable                            ; interrupt is not in use
*****
* BXINT0:
* Interrupt routine of the serial transmit interrupt of the buffered SPI
*****
BXINT0:
    return_enable                            ; interrupt is not in use
.sect ".text"
.copy "calibrat.asm"
.end

```

Constants definition – see 8.6.1.1 Constants.asm

Interrupt Routine handler – see 8.6.1.2 Interrupt Vectors

8.6.8 C-Callable

Mainprogram (C1562.c)

```

/* File: C1562.C          */
/* This file will select the parameters to allow a C-call of the ADC sampling */

extern void TLV1562(int, int, int);
main()
{
/* TLV1562(Channel, Save Memory Start address, NUMBER_OF_SAMPLES); */
  TLV1562(1, 0x2000, 0x0080);
          /* 80h samples of channel 1 will be stored beginning on 2000h */
  TLV1562(2, 0x2100, 0x0080);
          /* 80h samples of channel 2 will be stored beginning on 2100h */
  TLV1562(3, 0x2200, 0x0080);
          /* 80h samples of channel 3 will be stored beginning on 2200h */
}

```

Assembler Routine to Control the Interface to the ADC (ASM1562.asm)

```

*****
* TITLE           : TLV1562 ADC Interface routine           *
* FILE            : DUALIRQ1.ASM                            *
* FUNCTION        : MAIN                                    *
* PROTOTYPE       : void MAIN ()                            *
* CALLS           : N/A                                     *
* PRECONDITION    : N/A                                     *
* POSTCONDITION   : N/A                                     *
* DESCRIPTION     : main routine to use the mono interrupt driven mode *
*                  and the CSTART signal to CPU power for the conversion *
*                  time                                       *
* AUTHOR          : AAP Application Group, ICKE, Dallas      *
*                  CREATED 1998(C) BY TEXAS INSTRUMENTS INCORPORATED. *
* REFERENCE       : TMS320C54x User's Guide, TI 1997        *
*                  : Data Aquisition Circuits, TI 1998      *
*****

.title "DUALIRQ1"
.mmregs
.width 80
.length 55
.version 542

```

```

; .setsect ".vectors", 0x00180,0 ; sections of code
; .setsect ".text", 0x00200,0 ; these assembler directives specify
; .setsect ".data", 0x01800,1 ; the absolute addresses of different
; .setsect ".variabl", 0x01800,1 ; sections of code
.sect ".vectors"
.copy "vectors.asm"

.sect ".data"
.copy "constant.asm"
AD_DP .usect ".variabl", 0 ;
ACT_CHANNEL .usect ".variabl", 1 ; jump address to init. new channel
ADWORD .usect ".variabl", 1 ; send-bytes to the ADC
ADCOUNT .usect ".variabl", 1 ; counter for one channel
ADMEM .usect ".variabl", 1 ; points to act. memory save location
CH_NO .usect ".variabl", 1 ; channel number 1 to 4
CRO_SEND .usect ".variabl", 1 ; the last value, sent to register CRO
CRI_SEND .usect ".variabl", 1 ; the last value, sent to register CRI
CR_PROBLEM .usect ".variabl", 1 ; problem with initialization of this mode
when repeated (reset)

ZERO .usect ".variabl", 1 ; the value zero to send
TEMP .usect ".variabl", 1 ; temporary variable
isr_save .usect ".variabl", 1 ; memory location to save AR7 during
; interrupts
ADSAMPLE .usect ".variabl",1 ; last read sample
* Address Decoder constants:
ADC .set 00002h ; activate A0 when TLV1562 is choosen
CSTART .set 00001h ; activate A1 when CSTART is choosen
DAC1 .set 00003h ; activate A2 when DAC1 is choosen
DEACTIVE .set 00000h ; deactivate the address lines A0, A1 and A2
.def _TLV1562
.sect ".text"
START:
INITIALIZATION:
_TLV1562:
    data(ADMEM) = *SP(1) ; read saving location
    data(ADCOUNT) = *SP(2) ; read number of samples
    push(AR6) ; save AR6
    push(AR7) ; save AR7
    CPL = #0 ; do DP pointer addressing
* sign extension mode, ini Stack
    SXM = 0 ; no sign extension mode
* reset pending IRQs
    IFR = #1 ; reset any old interrupt on pin INT0

```

```

* initialize storage table for the ADC samples
    DP  = #AD_DP          ;
    A   += #-1           ; decrement A
    @CH_NO = A           ; read number of sampling channel
    A   = @ADMEM
    AR7 = A              ; point to first data location of the storage table
    A   = @ADCOUNT     ; AR0 points to table end
    B   = @ADMEM
    A   += B
    AR0 = A              ; AR0 is loaded with last save location
    AR5 = #(IFR)        ; AR5 points to the IFR register (only for polling mode)
    DP  = #AD_DP
    @ZERO = #00000      ; set the dummy send value
* initialize the send values to set-up the two programmable register of the ADC
    @CR0_SEND = #(MONO_INT|SINGLE_END|CLK_INTERNAL|NO_CALIB_OP);
    A         = @CR0_SEND
    A         |= @CH_NO
    @CR0_SEND = A
    @CR1_SEND = #(NO_SW_PWDN|NO_AUTO_PWDN|NO_2COMPLEMENT|NO_DEBUG|RES_10_BIT|CST_CONV_START);
*****
* ADC_INI:
* set ADC register CR0/CR1
*****
ADC_INI:
* write CR1 (to reset old CSTART mode initialization, because otherwise, the ADC never sets
* back its int- pin to show a sample is available:
    @CR_PROBLEM = #(SW_PWDN|NO_AUTO_PWDN|NO_2COMPLEMENT|NO_DEBUG|RES_10_BIT|RD_CONV_START);
    port(ADC) = @CR_PROBLEM      ; Address decoder sets  $\overline{CS}$  low,
                                ; WR- low and send CR_PROBLEM value to the ADC
    NOP                          ; wait for  $t_W(CSH)=50ns$ 
* write CR1:
    port(ADC) = @CR1_SEND        ; Address decoder sets  $\overline{CS}$  low,
                                ; WR- low and send CR1 value to the ADC
    port(DEACTIVE) = @ZERO       ; deselect ADC ( $\overline{CS}$  high)
    NOP                          ; wait for  $t_W(CSH)=50ns$ 
* write CR0
    port(ADC) = @CR0_SEND        ; send CR0 value to the ADC
STEP1: port(DEACTIVE) = @ZERO    ; deselect ADC ( $\overline{CS}$  high)
    NOP                          ;
*****
* ADC_mono_IRQ_Start:
* read samples and store them into memory
*****

```

```

ADC_mono_IRQ_Start:
ISTEP2: XF      = 0          ; clear CSTART
ISTEP3: NOP
      NOP
      NOP          ; wait for TW(CSTARTL)
ISTEP4: XF      = 1          ; set CSTART
STEP5:
* wait until INT- goes low in polling the INT0 pin:
M1:   TC      = bit(*AR5,15-0) ; test, is the INT0 Bit in IFR=1?
      if (NTC) goto M1          ; wait until INT- signal went high
      IFR     = #1              ; reset any old interrupt on pin INT0
* read sample
STEP2: XF      = 0          ; clear CSTART
STEP10: @ADSAMPLE = port(ADC) ; read the new sample into the DSP
STEP4: XF      = 1          ; wait for TW(CSTARTL) and set CSTART
*****
* STORE:
* saving the samples into memory
*****
STORE:
* store new sample into DSP data memory
      *AR7+ = data(@ADSAMPLE) ; write last sample into memory table
* test for table end, set pointer back if true
      TC   = (AR0 == AR7)      ; is AR0 = AR7? (table end reached?)
      if (NTC) goto STORE_END ;
* finish conversion
      CPL  = #1                ; do stack pointer addressing
      AR7  = pop()              ; restore AR7
      AR6  = pop()              ; restore AR6
      A    = #0                ; clear ACCU
      RETURN          ; jump back to C-layer
STORE_END:
      goto STEP5          ; go back to receive next sample
*****
* IRQ_INT0:
* Interrupt routine of the external interrupt input pin INT0
*****
IRQ_INT0:
      return_enable          ; return from IRQ (wake up from the IDLE mode)
*****
* BXINT0:
* Interrupt routine of the serial transmit interrupt of the buffered SPI
*****

```

```
BXINT0:
    return_enable          ; interrupt is not in use
.end
```

Vectors.asm

```
*****
* TITLE           : TLV1562 ADC Interface routine          *
* FILE            : VECTORS.ASM                            *
* FUNCTION        : N/A                                    *
* PROTOTYPE       : N/A                                    *
* CALLS           : N/A                                    *
* PRECONDITION    : N/A                                    *
* POSTCONDITION   : N/A                                    *
* SPECIAL COND.   : N/A                                    *
* DESCRIPTION     : definition of of all interrupt vectors  *
*                 Vector Table for the 'C54x DSKplus       *
* AUTHOR          : AAP Application Group, ICKE, Dallas/Freising *
*                 CREATED 1998(C) BY TEXAS INSTRUMENTS INCORPORATED. *
* REFERENCE       : TMS320C54x DSKPlus User's Guide, TI 1997 *
*****

.title "Vector Table"

    .mmregs
    .width 80
    .length 55
    .ref _c_int00

reset goto _c_int00 ;00; RESET * DO NOT MODIFY IF USING DEBUGGER *
    nop
    nop

nmi goto START ;04; non-maskable external interrupt
    nop
    nop

trap2 goto trap2 ;08; trap2 * DO NOT MODIFY IF USING DEBUGGER *
    nop
    nop

.space 52*16 ;0C-3F: vectors for software interrupts 18-30

int0
; return_fast ;come out of the IDLE
; nop
; nop
; nop
goto IRQ_INT0 ;40; external interrupt int0
    nop
    nop

int1 return_enable ;44; external interrupt int1
```

```
    nop
    nop
    nop
int2  return_enable    ;48; external interrupt int2
    nop
    nop
    nop
tint  return_enable    ;4C; internal timer interrupt
    nop
    nop
    nop
brint return_enable    ;50; BSP receive interrupt
    nop
    nop
    nop
bxint goto BXINT0      ;54; BSP transmit interrupt
    nop
    nop
trint goto trint       ;58; TDM receive interrupt
    nop
    nop
txint return_enable    ;5C; TDM transmit interrupt
    nop
    nop
    nop
int3  return_enable    ;60; external interrupt int3
    nop
    nop
    nop
hpiint goto hpiint     ;64; HPIint * DO NOT MODIFY IF USING DEBUGGER *
    nop
    nop
.space 24*16           ;68-7F; reserved area
```

Constants definition – see 8.6.1.1 Constants.asm and for Interrupt Routine handler – see 8.6.1.2 Interrupt Vectors

Auto.bat

```
@ECHO ON
del *.map
del *.obj
del *.out
del *.lst
del *.cnv
cl500.exe -k -n c1562.c
pause
mnem2alg.exe c1562.asm
pause
asm500 asm1562.asm -l -mg -q -s
pause
asm500 c1562.cnv -l -mg -q -s
pause
lnk500 linker.cmd
```

Linker.cmd

```
/*****/
/* File: Linker.lnk COMMAND FILE */
/* .title "COMMAND FILE FOR TLV1562.ASM" */
/* */
/* This CMD file allocates the memory area for the TLV1562 */
/* interface Program */
/*****/
-stack 0x0080
-M asm1562.MAP
-O asm1562.OUT
-v0
-c
-l rts.lib
asm1562.obj
c1562.obj
MEMORY
{
    PAGE 0:    VECT:    origin = 0200h, length = 0080h
              PROG:    origin = 0400h, length = 0300h
    PAGE 1:    RAMB0:   origin = 1900h, length = 1500h
              STAC:    origin = 1800h, length = 0100h
}
SECTIONS
{
```

```
.text : {} > PROG PAGE = 0
.vectors : {} > VECT PAGE = 0
.data : {} > RAMB0 PAGE = 1
.variabl : {} > RAMB0 PAGE = 1
.stack : {} > STAC PAGE = 1
}
```

9 Summary

This application report provides several software application examples and recommendations for simplifying the software, through modifications to the DSP hardware interface circuit. The user can customize any of the number of software routines provided in this document to fit his specific application.

10 References

- TLV1562 Data Sheet
- TMS320C54x Fixed-Point Digital Signal Processor Data Sheet, Literature number SPRS039B
- TMS320C54x DSP Algebraic Instruction Set, Literature number SPRU179
- TMS320C54x DSP Mnemonic Instruction Set, Literature number SPRU172
- TMS320C54x DSP CPU and Peripherals, Literature number SPRU131D
- TMS320C54x Optimizing C Compiler, Literature number SPRU103B
- TMS320C54x Assembly Language Tools, Literature number SPRU102B
- TMS320C54x DSKplus DSP Starter Kit, Literature number SPRU191
- TLV1544 Data Sheet, Literature number SLAS139
- TMS320C54x DSK plus Adapter Kit, Literature number SLAU030