

AMC1100: Replacement of Input Main Sensing Transformer in Inverters with Isolated Amplifier

Ambreesh Tripathi and Harmeet Singh

Analog/Digital Converters

ABSTRACT

This application note describes isolation amplifier design principles that can be used in Input AC main voltage sensing in Inverters. It describes the circuit operation along with the details of some examples. It is intended to give designers an alternative to bulky transformers for many industrial applications apart from Inverters.

Galvanic isolation is required for many circuits found in Telecommunication, Industrial, Medical and Instrumentation systems. This has been traditionally accomplished by means of transformers and optocouplers with transformers being used to couple AC signals and optocouplers used primarily for DC signal coupling. Operator safety and signal quality are also ensured with isolated interconnection.

Introduction

In the current design of Commercial 600 VA - 5 KVA inverters, the AC mains voltage is sensed by stepping down through a bulky 50 Hz transformer by the microcontroller which is powered up by battery through linear regulators. To ensure the operator safety (personal handling battery etc) and signal integrity, galvanic isolation is needed in the design.



→ Input A/C voltage Sensing
Through transformer

Figure 1.

The input AC Voltage Sensing is required in Inverters for changing to inverter mode through relay operation when A/C mains fall below the designated voltage level. Further comparators are also used in addition with transformer for location of zero crossing point of sinusoidal A/C signal.

a) Inverter Block Diagram

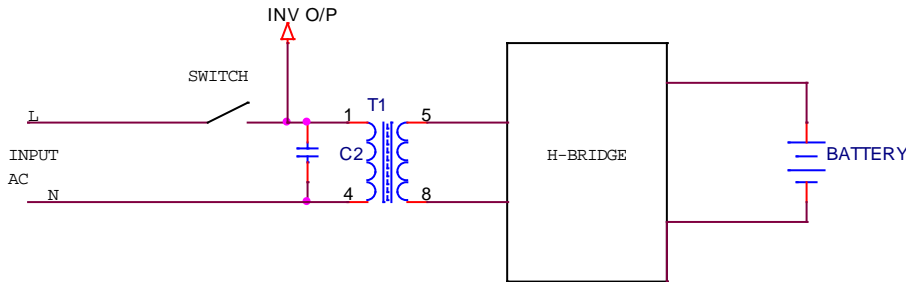


Figure 2.

The diagram in Figure 2 shows the operation of Inverter. Input AC voltage is fed to the transformer through a switch (relay). When input AC is present and is within valid range, the switch is closed and the input AC directly goes to the output load (INV O/P). The same AC fed to transformer, is used to drive the H-bridge consisting of mosfets or IGBTs to charge the battery. If the AC fails or is out of valid range (AC Voltage Sense is required), the switch opens. H-bridge circuit converts battery DC voltage into AC using high frequency PWM (5 kHz to 15 KHz) thus feeding the same transformer which is being used for charging in the first case. The output of transformer contains a capacitor which filters it to make 50 Hz AC.

b) Current Circuit Design for Relay operation (Switching to Inverter or Mains mode by Sensing Input AC)

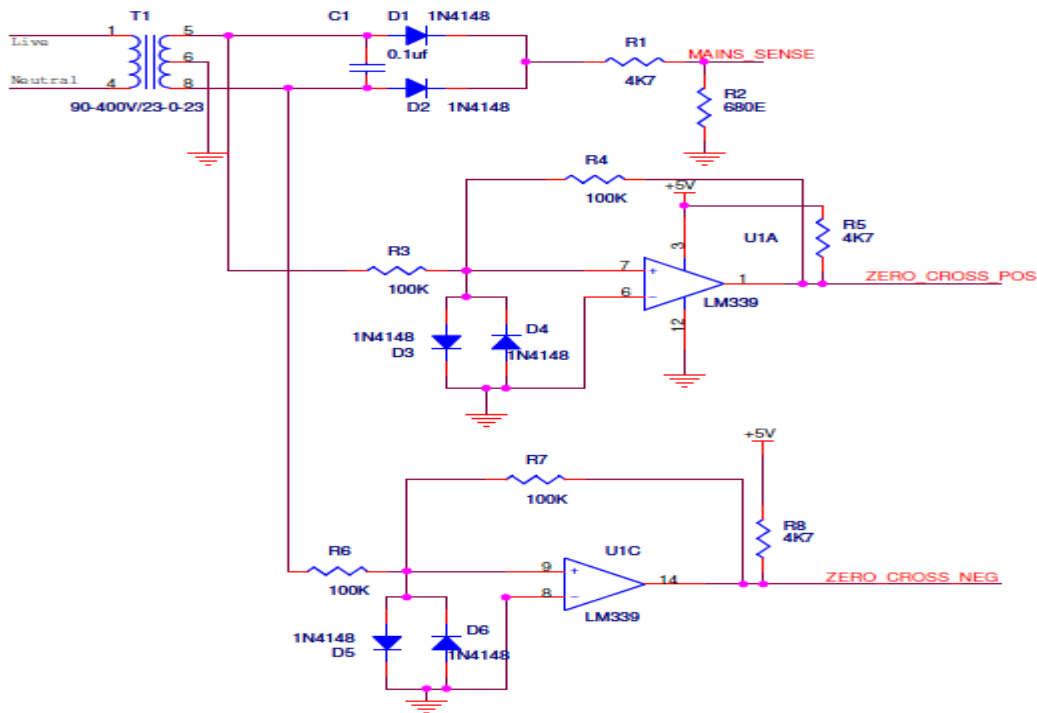


Figure 3.

As seen in Figure 3, a traditional 50 Hz transformer is used to generate a smaller replica of input AC voltage and then rectified further. Main_Sense signal is fed to the ADC of controller which controls the relay operation (Switch to inverter or mains mode). Also, comparators are used to locate the zero crossing of input AC signal and are given to the controller for generating PWM signals to be given to MOSFETS for controlling the charging.

Presenting an Innovative Input AC Voltage Sensing In Inverters

A precision isolation amplifier such as TI’s AMC1100 with an output separated from the input circuitry by a silicon dioxide (SiO₂) barrier is highly resistant to magnetic interference. This barrier has been certified to provide galvanic isolation of up to 4000 VPEAK according to UL1577 and IEC60747-5-2. Used in conjunction with isolated power supplies, this device can prevent noise currents on a high common-mode voltage line from entering the local ground and interfering with or damaging sensitive circuitry.

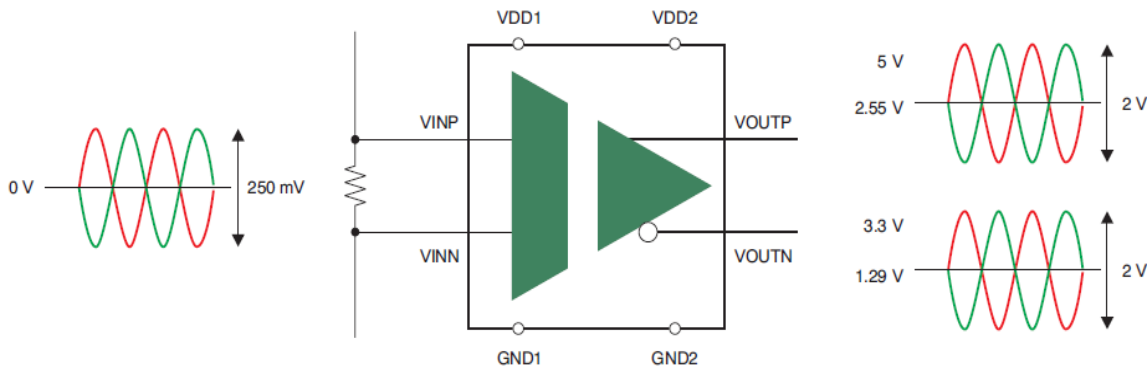


Figure 4.

The linearity and the noise performance of the device are ensured only when the differential analog input voltage remains within ± 250 mV.

a) Application Schematic

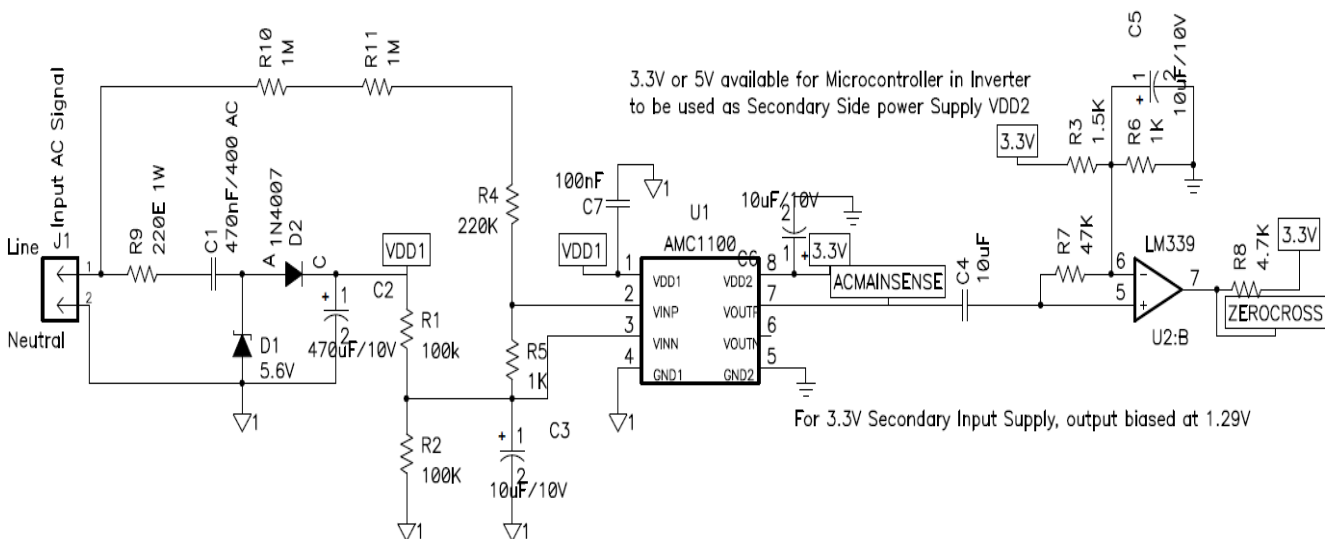


Figure 5.

b) Easy Design Guidelines:

1. From the AC mains input, a cap drop supply (C1, D1, D2, and C2) of 5 V is made with the help of 5.6 V Zener. For tighter regulation LDO can also be added.
2. Range of AC voltage to be sensed is determined. For inverters, it is generally between 90 VAC to 300 VAC.
3. Choose resistor divider at positive pin such that at the maximum AC input, the voltage at the VINP is less than +/- 250 mV. At 300 VAC, the peak value is at 425 V and hence resistor divider (R4 and R5) gives approximate peak of 190 mV at VINP, which is under 250 mV range
4. Based on the input pins (VINN and VINP) at VDD1/2 Volts ie in this case at 2.5 V and this is achieved through R1 and R2.
5. The analog output has a nominal gain of 8 through the AMC1100 isolation amplifier. With an input voltage of ± 250 mV, the nominal output is therefore 2 V. The output voltage is centered on 1.29 V for 3.3 V Secondary Supply and provides a convenient analog input range to the embedded analog-to-digital converters (ADCs) the microcontroller.

c) Layout Guidelines

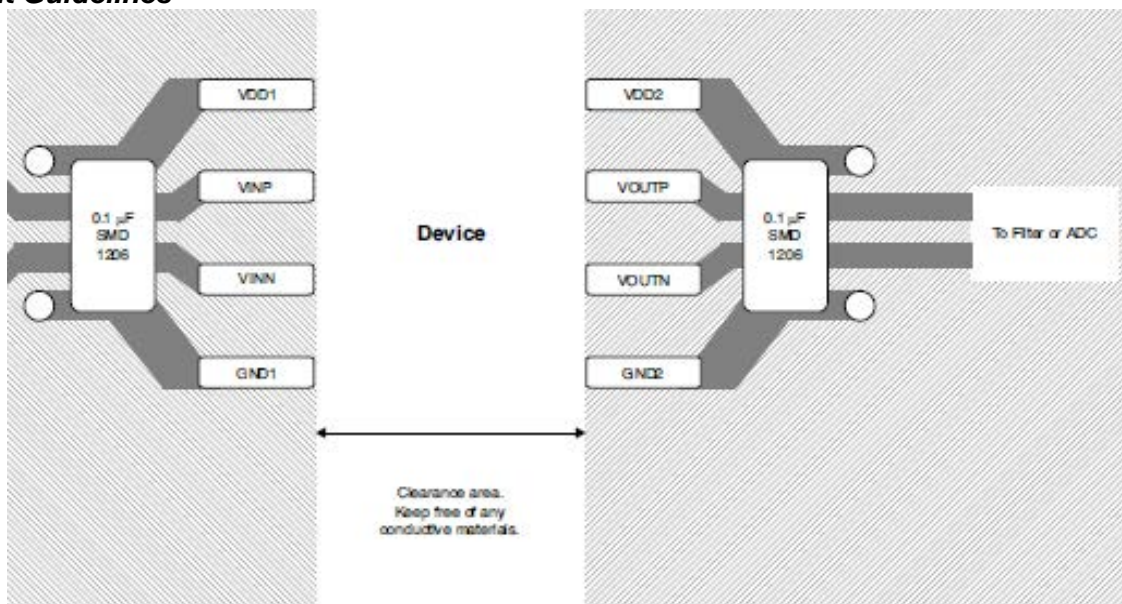


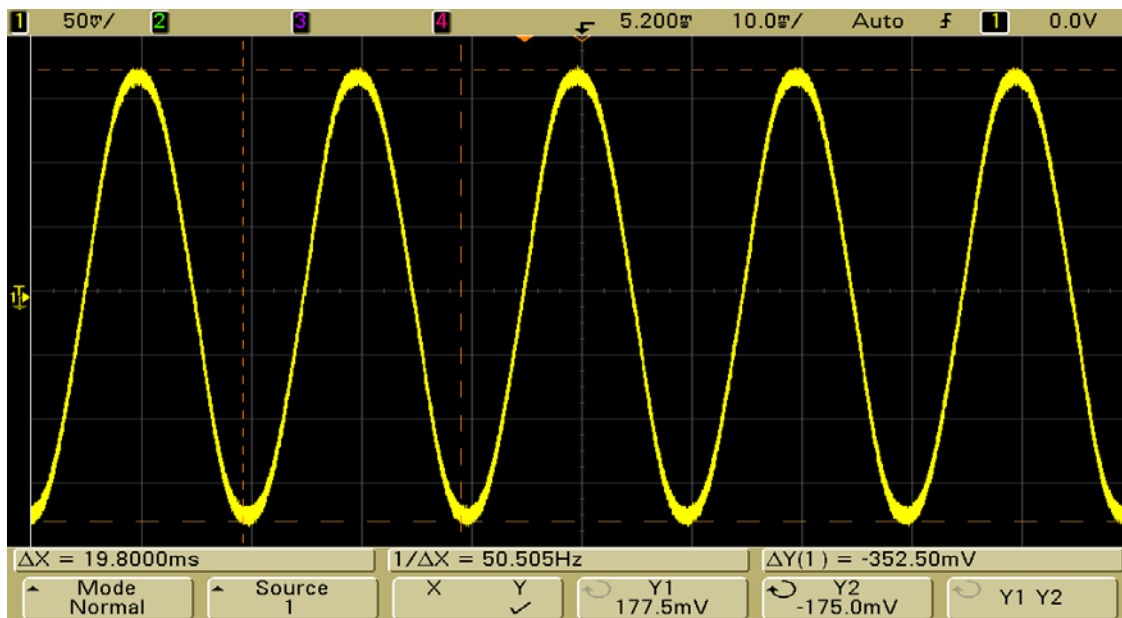
Figure 6.

1. To maintain the isolation barrier and the high common mode transient immunity of the device, the distance between the high-side ground (GND1) and the low-side ground (GND2) should be kept at maximum; that is, the entire area underneath the device should be kept free of any conducting materials.
2. It is recommended placing the bypass and filtering capacitors as close as possible to the AMC1100 to ensure best performance.

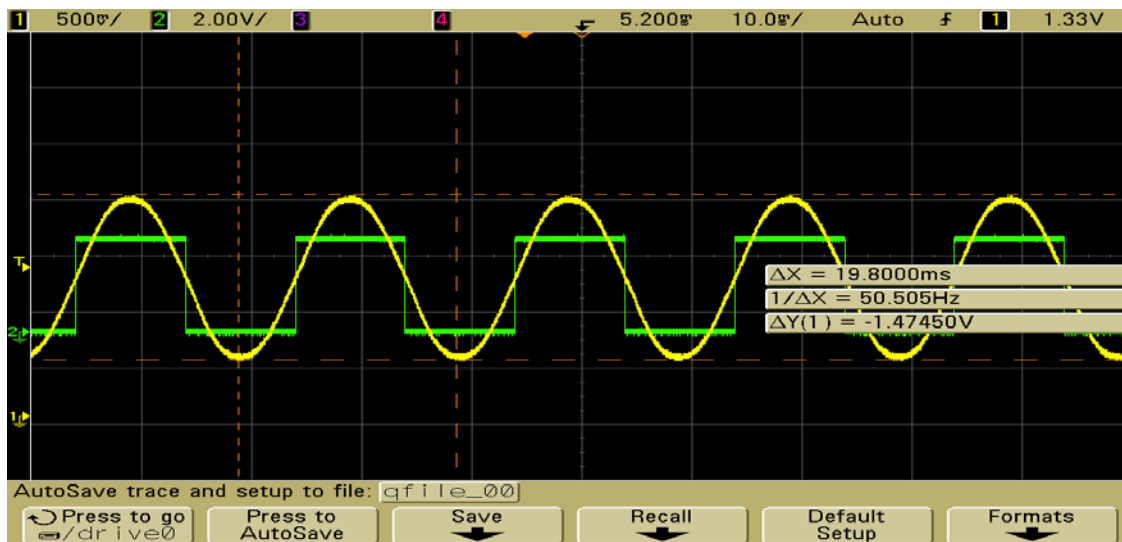
Test Results

a) At 270 VAC Input

1. VINP-VINN

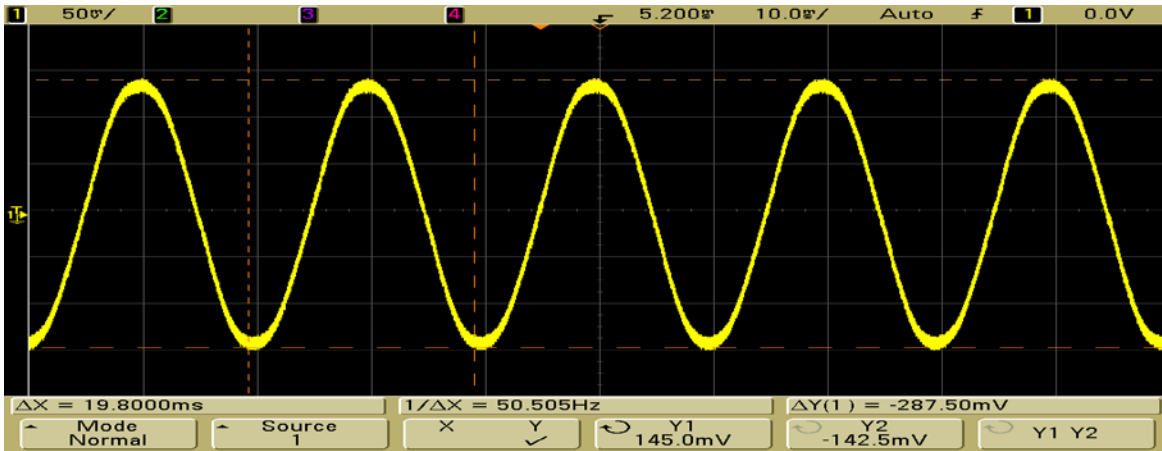


2. VOUTP and Zero Crossing

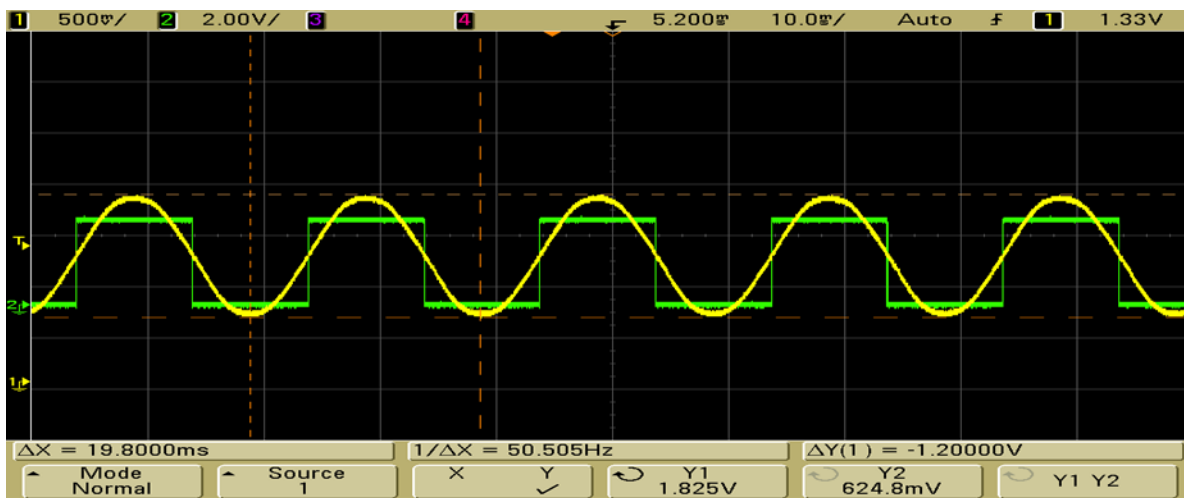


b) At 220VAC Input

1. VINP-VINN

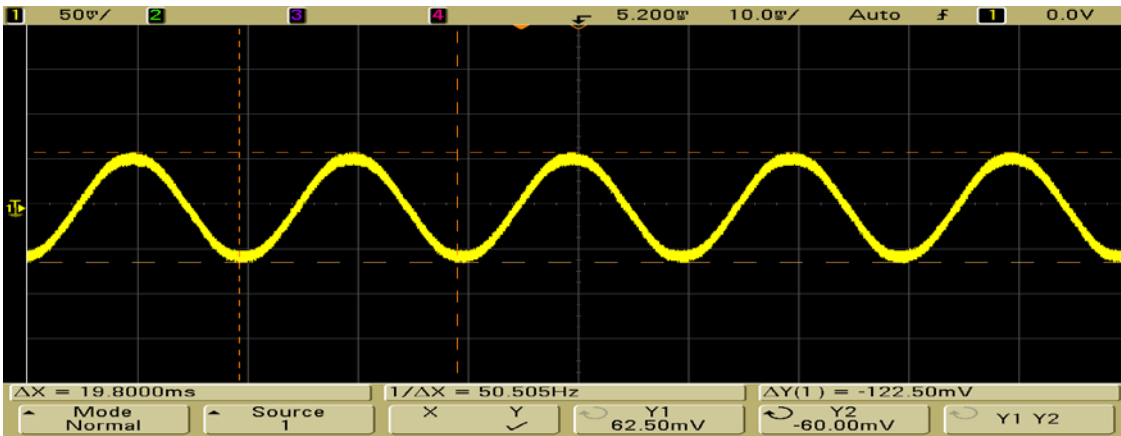


2. VOUTP and Zero Crossing

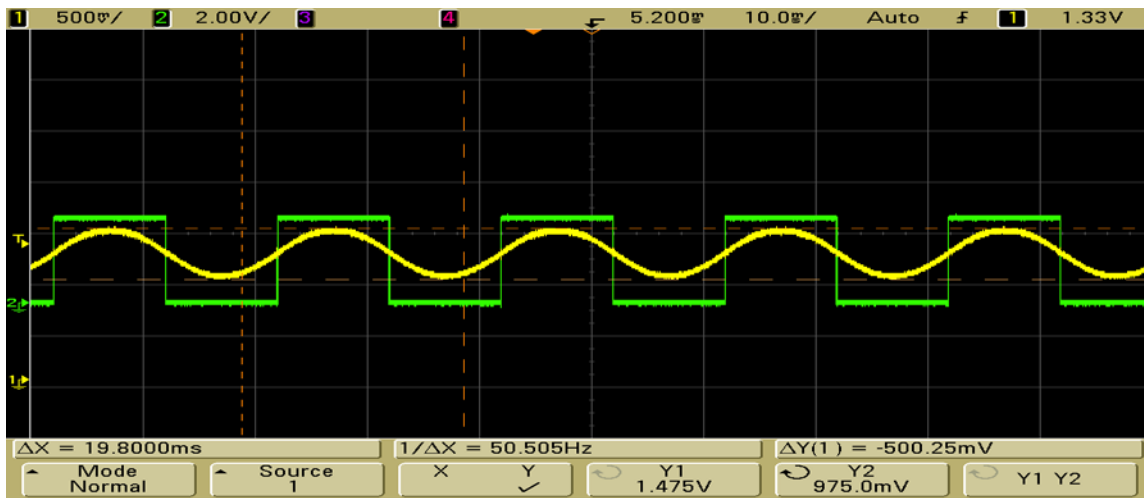


C) At 90 VAC Input

1. VINP-VINN

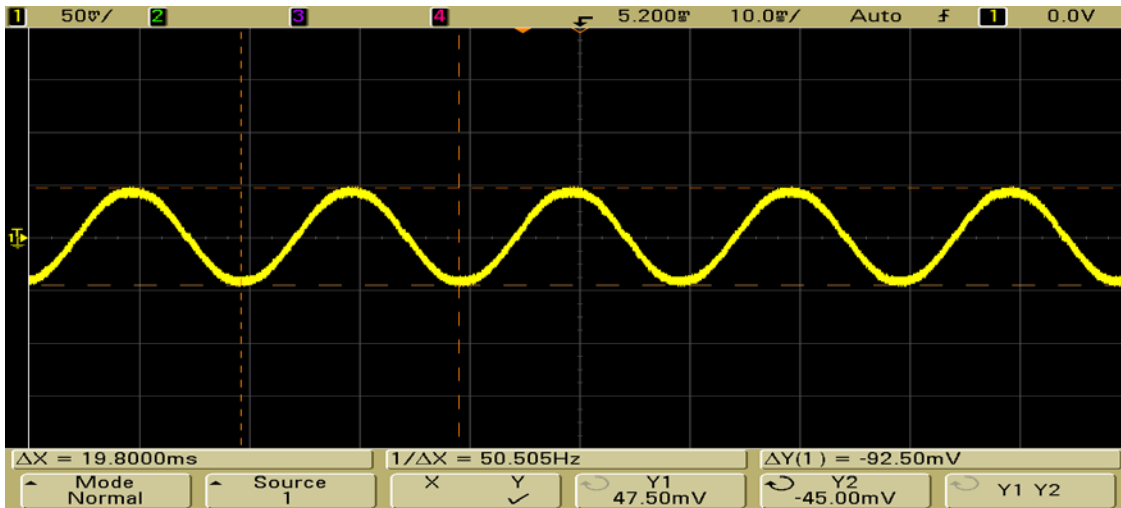


2. VOUTP and Zero Crossing

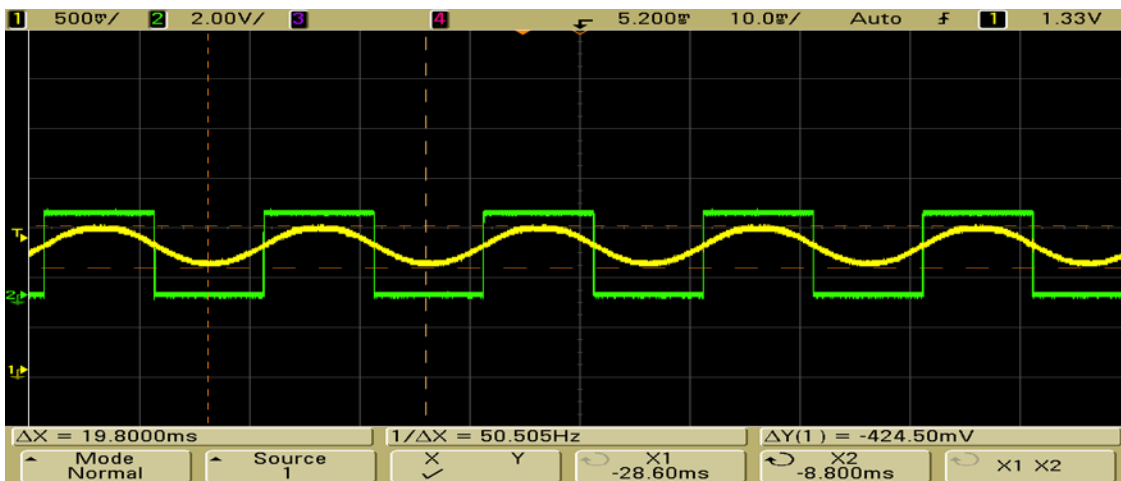


D) At 70VAC Input

1. VINP-VINN



2. VOUTP and Zero Crossing



Future Development – Cap Drop Replacement with Isolated Fly- Buck based Primary side Supply

The Cap Drop power supply will die down at low AC voltages (It does not matter in an inverter application as voltages of interest is in the range of 100 VAC-265 VAC) and hence isolated 5 V from the 12 V battery is required to power up the primary side. Generally 5 V or 3.3 V is available in inverters which is used to power up microcontroller, comparator etc. A simple topology is needed which takes 5 V input and generates 5 V isolated output.

The Isolated **Fly-Buck™ Topology** with the Primary side feedback can be used to provide regulated output voltage.

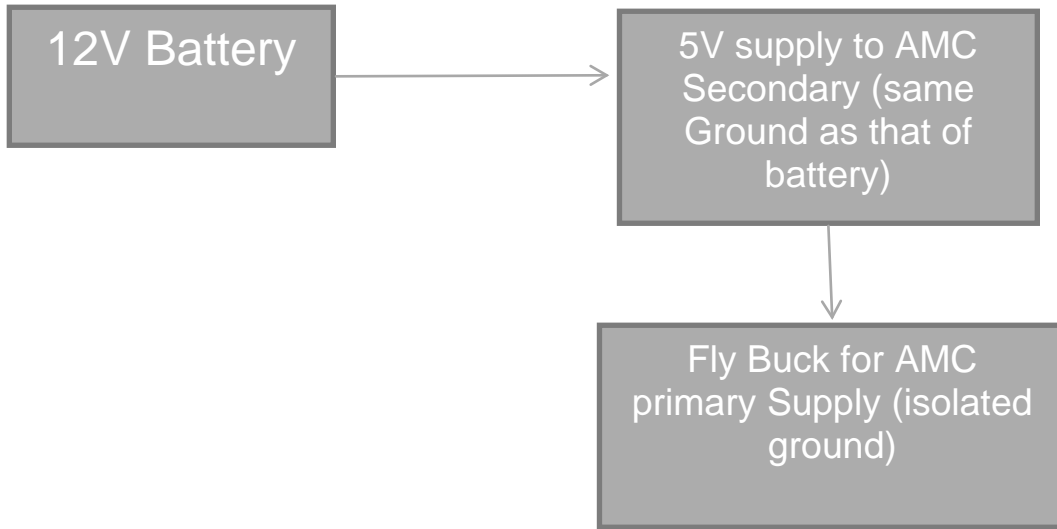


Figure 7.

TI's TPS55010 is a transformer driver that can be used in this application, designed to provide isolated power for isolated interfaces, from 3.3 V or 5 V input supply.

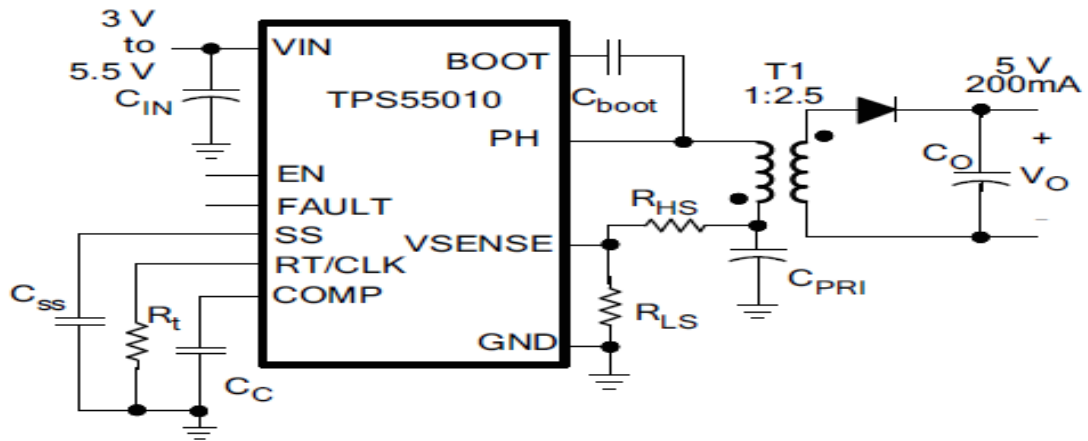


Figure 8.

More Details on the device application can be found in www.ti.com

IMPORTANT NOTICE

Texas Instruments Incorporated and its subsidiaries (TI) reserve the right to make corrections, enhancements, improvements and other changes to its semiconductor products and services per JESD46C and to discontinue any product or service per JESD48B. Buyers should obtain the latest relevant information before placing orders and should verify that such information is current and complete. All semiconductor products (also referred to herein as "components") are sold subject to TI's terms and conditions of sale supplied at the time of order acknowledgment.

TI warrants performance of its components to the specifications applicable at the time of sale, in accordance with the warranty in TI's terms and conditions of sale of semiconductor products. Testing and other quality control techniques are used to the extent TI deems necessary to support this warranty. Except where mandated by applicable law, testing of all parameters of each component is not necessarily performed.

TI assumes no liability for applications assistance or the design of Buyers' products. Buyers are responsible for their products and applications using TI components. To minimize the risks associated with Buyers' products and applications, Buyers should provide adequate design and operating safeguards.

TI does not warrant or represent that any license, either express or implied, is granted under any patent right, copyright, mask work right, or other intellectual property right relating to any combination, machine, or process in which TI components or services are used. Information published by TI regarding third-party products or services does not constitute a license to use such products or services or a warranty or endorsement thereof. Use of such information may require a license from a third party under the patents or other intellectual property of the third party, or a license from TI under the patents or other intellectual property of TI.

Reproduction of significant portions of TI information in TI data books or data sheets is permissible only if reproduction is without alteration and is accompanied by all associated warranties, conditions, limitations, and notices. TI is not responsible or liable for such altered documentation. Information of third parties may be subject to additional restrictions.

Resale of TI components or services with statements different from or beyond the parameters stated by TI for that component or service voids all express and any implied warranties for the associated TI component or service and is an unfair and deceptive business practice. TI is not responsible or liable for any such statements.

Buyer acknowledges and agrees that it is solely responsible for compliance with all legal, regulatory and safety-related requirements concerning its products, and any use of TI components in its applications, notwithstanding any applications-related information or support that may be provided by TI. Buyer represents and agrees that it has all the necessary expertise to create and implement safeguards which anticipate dangerous consequences of failures, monitor failures and their consequences, lessen the likelihood of failures that might cause harm and take appropriate remedial actions. Buyer will fully indemnify TI and its representatives against any damages arising out of the use of any TI components in safety-critical applications.

In some cases, TI components may be promoted specifically to facilitate safety-related applications. With such components, TI's goal is to help enable customers to design and create their own end-product solutions that meet applicable functional safety standards and requirements. Nonetheless, such components are subject to these terms.

No TI components are authorized for use in FDA Class III (or similar life-critical medical equipment) unless authorized officers of the parties have executed a special agreement specifically governing such use.

Only those TI components which TI has specifically designated as military grade or "enhanced plastic" are designed and intended for use in military/aerospace applications or environments. Buyer acknowledges and agrees that any military or aerospace use of TI components which have **not** been so designated is solely at the Buyer's risk, and that Buyer is solely responsible for compliance with all legal and regulatory requirements in connection with such use.

TI has specifically designated certain components which meet ISO/TS16949 requirements, mainly for automotive use. Components which have not been so designated are neither designed nor intended for automotive use; and TI will not be responsible for any failure of such components to meet such requirements.

Products

Audio	www.ti.com/audio
Amplifiers	amplifier.ti.com
Data Converters	dataconverter.ti.com
DLP® Products	www.dlp.com
DSP	dsp.ti.com
Clocks and Timers	www.ti.com/clocks
Interface	interface.ti.com
Logic	logic.ti.com
Power Mgmt	power.ti.com
Microcontrollers	microcontroller.ti.com
RFID	www.ti-rfid.com
OMAP Mobile Processors	www.ti.com/omap
Wireless Connectivity	www.ti.com/wirelessconnectivity

Applications

Automotive and Transportation	www.ti.com/automotive
Communications and Telecom	www.ti.com/communications
Computers and Peripherals	www.ti.com/computers
Consumer Electronics	www.ti.com/consumer-apps
Energy and Lighting	www.ti.com/energy
Industrial	www.ti.com/industrial
Medical	www.ti.com/medical
Security	www.ti.com/security
Space, Avionics and Defense	www.ti.com/space-avionics-defense
Video and Imaging	www.ti.com/video

TI E2E Community e2e.ti.com