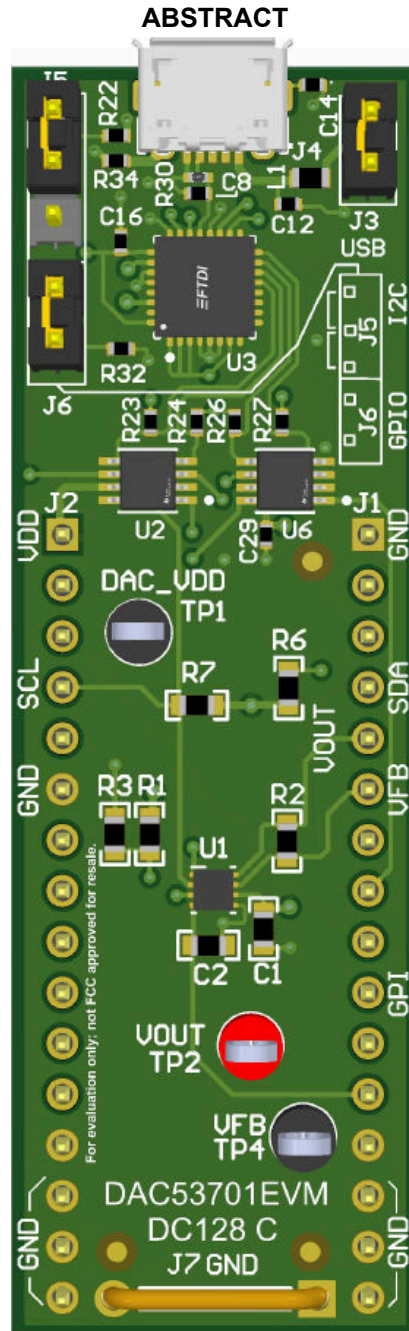


User's Guide

DAC53701EVM User's Guide



This user's guide describes the characteristics, operation, and use of the DAC53701EVM evaluation module (EVM). This EVM is designed to evaluate the performance of the [DAC53701](#) and [DAC43701](#) (DACx3701) commercial, buffered voltage output DACs in a variety of configurations. Throughout this document, the terms evaluation board, evaluation module, and EVM are synonymous with the DAC53701EVM. This document includes a schematic, printed-circuit board (PCB) layouts, and a complete bill of materials.

Table of Contents

1 Overview	3
1.1 Kit Contents.....	3
1.2 Related Documentation from Texas Instruments.....	3
2 System Setup	4
2.1 Software Setup.....	4
2.2 Hardware Setup.....	6
3 Detailed Description	7
3.1 Hardware Description.....	7
3.2 Software Description.....	9
4 Schematic, PCB Layout, and Bill of Materials	12
4.1 Schematic.....	13
4.2 PCB Layout.....	15
4.3 Bill of Materials.....	16
5 Revision History	18

List of Figures

Figure 2-1. Software Installation Path.....	4
Figure 2-2. FTDI USB Drivers.....	5
Figure 2-3. Hardware Setup.....	6
Figure 3-1. DAC53701EVM Hardware Simplified Schematic.....	7
Figure 3-2. DAC53701EVM GUI Connection Detection.....	9
Figure 3-3. High Level Configuration Page.....	10
Figure 3-4. Low Level Configuration Page.....	11
Figure 3-5. Low Level Configuration Page Options.....	11
Figure 4-1. DAC53701EVM Schematic Page 1.....	13
Figure 4-2. DAC53701EVM Schematic Page 2.....	14
Figure 4-3. DAC53701EVM PCB Components Layout.....	15
Figure 4-4. DAC53701EVM PCB Layers.....	15

List of Tables

Table 1-1. Contents of DAC53701EVM Kit.....	3
Table 1-2. Optional Components Not Included With Kit.....	3
Table 1-3. Related Documentation.....	3
Table 2-1. DAC53701EVM Power Supply Inputs.....	6
Table 2-2. DAC53701EVM Jumper Settings.....	6
Table 3-1. DAC53701EVM J1 Pin Definitions.....	8
Table 3-2. DAC53701EVM J2 Pin Definitions.....	8
Table 4-1. DAC53701EVM Bill of Materials.....	16

Trademarks

BoosterPack™ and LaunchPad™ are trademarks of Texas Instruments.

Windows™ is a trademark of Microsoft Corporation.

LabVIEW™ is a trademark of National Instruments.

All trademarks are the property of their respective owners.

1 Overview

The [DAC53701EVM](#) is an easy-to-use platform to evaluate the functionality and performance of the DAC53701 and DAC43701 commercial devices.

The 10-bit DAC53701 and 8-bit DAC43701 (DACx3701) are a pin-compatible family of buffered, voltage-output smart digital-to-analog converters (DACs). The DACx3701 support Hi-Z power-down mode. The DAC output provides a force-sense option for use as a programmable comparator and current sink. The multifunction GPIO, function generation, and nonvolatile memory (NVM) enable these smart DACs for use in applications and design reuse without the need for runtime software. These devices also automatically detect I²C, and PMBus interfaces, and contain an internal reference.

1.1 Kit Contents

[Table 1-1](#) details the contents of the EVM kit. Contact the nearest TI Product Information Center if any component is missing. Make sure to verify the latest versions of the related software at the Texas Instruments website, www.ti.com. [Table 1-2](#) lists the optional components not included with the kit.

Table 1-1. Contents of DAC53701EVM Kit

Item	Quantity
DAC53701EVM evaluation board PCB	1
USB micro-B plug to USB-A plug cable	1

Table 1-2. Optional Components Not Included With Kit

Item	Quantity
BOOSTXL-DAC-PORT digital-to-analog converter (DAC) BoosterPack™ plug-in module	1
TM4C1294 Connected LaunchPad™ Evaluation Kit (EK-TM4C1294XL) (In this document, the LaunchPad Evaluation Kit is referred to as TI launchpad)	1

These optional components are available for purchase from the Texas Instruments website at www.ti.com.

1.2 Related Documentation from Texas Instruments

The following document provides information regarding Texas Instruments integrated circuits used in the assembly of the DAC53701EVM. This user's guide is available from the TI web site under literature number [SLAU841](#). Any letter appended to the literature number corresponds to the document revision that is current at the time of the writing of this document. Newer revisions may be available from the TI web site at www.ti.com, or call the Texas Instruments Literature Response Center at (800) 477-8924 or the Product Information Center at (972) 644-5580. When ordering, identify the document by both title and literature number.

Table 1-3. Related Documentation

Document	Literature Number
DAC53701 product page	SLASEY5
DAC43701 product page	

2 System Setup

2.1 Software Setup

This section provides the procedure for EVM software installation.

2.1.1 Operating Systems

The EVM software is compatible with the Windows™ 10 operating system.

2.1.2 Software Installation

Before software installation, make sure that the DAC53701EVM is not connected to the computer.

The software can be downloaded from the device product folders. After the software is downloaded, navigate to the download folder, and run the DAC53701EVM software installer executable.

When the DAC53701EVM software is launched, an installation dialog window opens and prompts the user to select an installation directory. [Figure 2-1](#) shows that the software path defaults to *C:\Program Files (x86)\Texas Instruments\DAC53701EVM*.

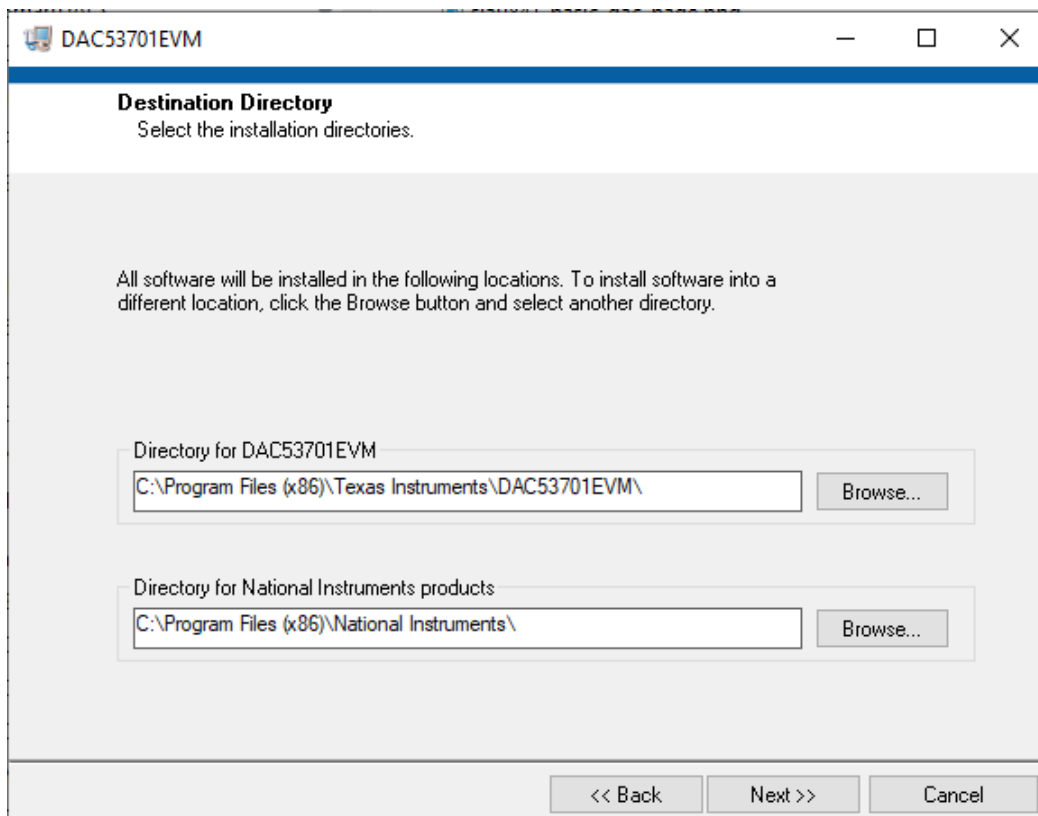


Figure 2-1. Software Installation Path

The software installation also installs the FTDI USB drivers, and automatically copies the required LabVIEW™ software files and drivers to the computer. The FTDI USB drivers install in a second executable. [Figure 2-2](#) shows the window that is automatically launched after the DAC53701EVM software installation is complete.

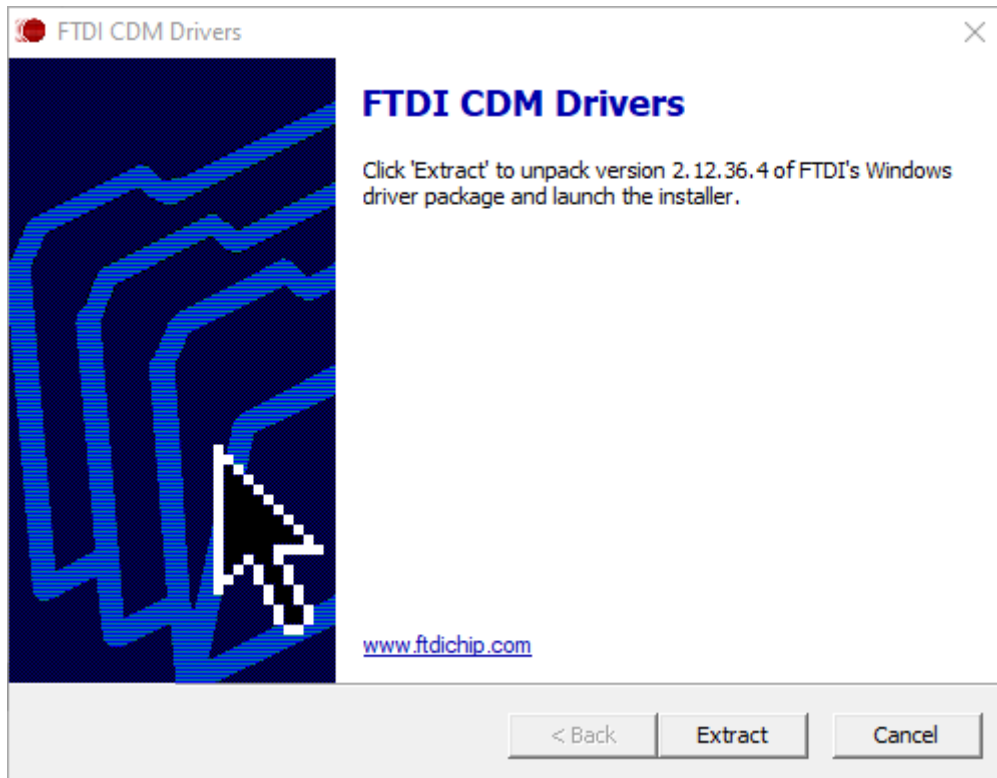


Figure 2-2. FTDI USB Drivers

2.2 Hardware Setup

This section describes the overall system setup for the EVM. A computer runs the software that provides an interface to the DAC53701EVM through the onboard controller.

The USB connection generates 5 V of power for use as the DAC supply voltage (VDD). The onboard controller generates 3.3 V of power for the input/output (IO) signals generated by the controller. These IO signals are level translated to the VDD voltage of the DAC. [Figure 2-3](#) displays the system hardware setup.

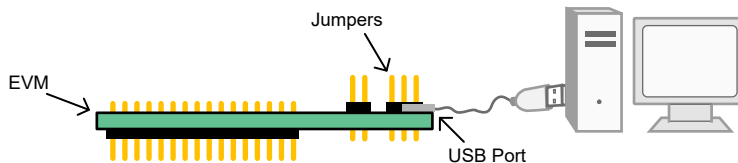


Figure 2-3. Hardware Setup

2.2.1 Electrostatic Discharge Caution

CAUTION

Many of the components on the DAC53701EVM are susceptible to damage by electrostatic discharge (ESD). Observe proper ESD handling precautions when unpacking and handling the EVM, including the use of a grounded wrist strap at an approved ESD workstation.

2.2.2 Power Configurations and Jumper Settings

The DAC53701EVM provides electrical connections to the device supply pins. [Table 2-1](#) shows the connections.

Table 2-1. DAC53701EVM Power Supply Inputs

DAC53701EVM Connector	Supply Name	Voltage Range
J2.1	VDD	1.8 V to 5.5 V (5 V available from the USB); remove J3 if applying an external VDD to the DAC.
J1.1	GND	0 V

The jumper settings on the DAC53701EVM are crucial to the proper operation of the EVM. [Table 2-2](#) provides the details of the configurable jumper settings on the EVM.

Table 2-2. DAC53701EVM Jumper Settings

Jumper	Default Position	Available Option	Description
J3	Closed: 5-V USB supply connected to DAC VDD	Open: 5-V USB supply disconnected from DAC VDD	External or onboard VDD selection
J5	2-3: I ² C enabled	1-2: I ² C disabled	I ² C enable
J6	Closed: GPIOs enabled	Open: GPIOs disabled	Controller GPIO enable

If an external supply is applied to the DAC VDD pin, remove jumper J3 to disconnect the 5-V USB supply from the DAC VDD pin.

GPIO2 from the onboard controller is connected to the DAC GPI pin of the DACx3701. This input can be controlled through the graphical user interface (GUI) using the controls for GPIO2.

GPIO3 from the onboard controller is broken out to J1, pin 8, and is controlled through the GUI using the controls for GPIO3.

To enable the GPIO pins, close jumper J6. To disable the GPIO pins, remove jumper J6.

2.2.3 Connecting the Hardware

After the power and jumper configurations are set up as per [Section 2.2.2](#), connect the USB cable from the DAC53701EVM USB port to the computer.

3 Detailed Description

3.1 Hardware Description

The following sections provide detailed information on the EVM hardware and jumper configuration settings.

3.1.1 Theory of Operation

Figure 3-1 shows a simplified schematic of the DAC53701EVM board. There are two 16-pin connectors that provide access to all of the DAC pins. The GPIO, and I²C signals from the onboard controller are connected to the DAC through two level translators. Each level translator can be independently disabled to disconnect the onboard controller GPIO, and I²C, signals from the DAC signals while the DAC is running in stand-alone mode.

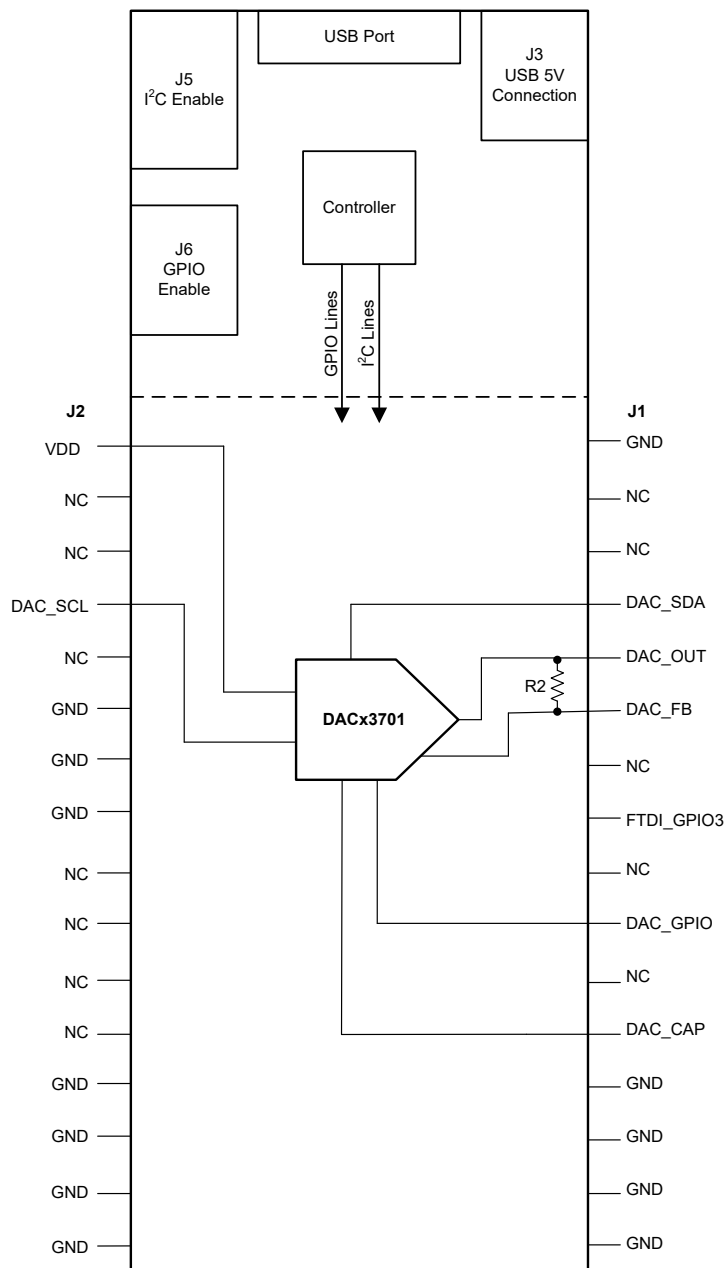


Figure 3-1. DAC53701EVM Hardware Simplified Schematic

3.1.1.1 Signal Definitions

The DAC53701EVM provides access to all DAC pins through connection J1 and J2. [Table 3-1](#) and [Table 3-2](#) list the J1 and J2 pin definitions.

Table 3-1. DAC53701EVM J1 Pin Definitions

Pin#	Signal	Description
1	GND	Ground
2	NC	Not connected
3	NC	Not connected
4	DAC_SDA	I ² C SDA
5	DAC_OUT	Output pin for DAC VOUT
6	DAC_FB	Feedback pin for DAC VOUT
7	NC	Not connected
8	FTDI_GPIO3	GPIO3 output of the onboard controller
9	NC	Not connected
10	DAC_GPIO	GPI Input for DACx3701
11	NC	Not connected
12	DAC_CAP	LDO bypass capacitor
13	GND	Ground
14	GND	Ground
15	GND	Ground
16	GND	Ground

Table 3-2. DAC53701EVM J2 Pin Definitions

Pin#	Signal	Description
1	DAC_VDD	VDD power supply for DAC
2	NC	Not connected
3	NC	Not connected
4	DAC_SCL	I ² C SCL
5	NC	Not connected
6	GND	Ground
7	GND	Ground
8	GND	Ground
9	NC	Not connected
10	NC	Not connected
11	NC	Not connected
12	NC	Not connected
13	GND	Ground
14	GND	Ground
15	GND	Ground
16	GND	Ground

3.2 Software Description

This section describes the features of the DAC53701EVM software, and discusses how to use these features. The software provides basic control of all the DACx3701 registers and functions.

3.2.1 Starting the Software

To launch the software, navigate to the *Texas Instruments* folder under the *Start* menu, and select the *DAC53701EVM* icon.

Figure 3-2 shows that if the onboard controller is connected correctly, the status bar at the bottom of the screen displays *CONNECTED*. If the controller is not properly connected or not connected at all, the status displays *DEMO*. If the GUI is not displaying the *CONNECTED* status while the EVM is connected, unplug and reconnect the EVM, and then relaunch the GUI software.

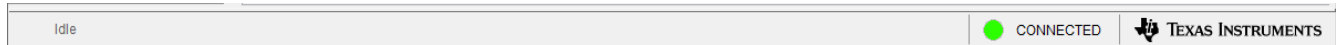


Figure 3-2. DAC53701EVM GUI Connection Detection

3.2.2 Software Features

The DAC53701EVM GUI incorporates interactive functions that help configure an individual DACx3701 device using I²C communication. These functions are built into several GUI pages, as shown in the following subsections. The menu bar on the far left of the GUI allows the user to switch between pages. The menu bar displays the *High Level Configuration* page, and the *Low Level Configuration* page.

Before using the GUI, see the respective device data sheet for detailed DACx3701 programming instructions.

3.2.2.1 High Level Configuration Page

Figure 3-3 shows the *High Level Configuration* page that provides an interface to quickly configure the parameters and relevant register settings for the respective DACx3701 device. The *High Level Configuration* page provides an interface to quickly power up, select the reference and output span, and program the output voltage for the respective DACx3701 device. When VDD is applied, the DACx3701 device starts up in Hi-Z power-down mode by default. The *High Level Configuration* page also provides controls to configure the GPI pin on the respective DACx3701 device, and control the two GPIO outputs of the DAC53701EVM onboard controller. This page provides the settings for the margin-low, margin-high, and nominal DAC outputs. Self-resetting triggers are used to trigger the margin-high and margin-low voltage levels for each DAC channel. The *Code Step* and *Slew Rate* drop-down menu settings are also provided on this page to control the slew of each margin high or low trigger (*Trigger MH* or *Trigger ML*). The DAC waveform drop-down menu selects the waveform to be generated: triangular, saw-tooth, inverse saw-tooth, or square. The *Margin High Code* and *Margin Low Code* settings define the upper and lower bounds of the waveform, respectively. The *Start Function Gen* checkbox starts or stops the defined function generation. The register settings can be programmed or retrieved using the *Program NVM* or *Reload NVM* checkboxes, respectively.

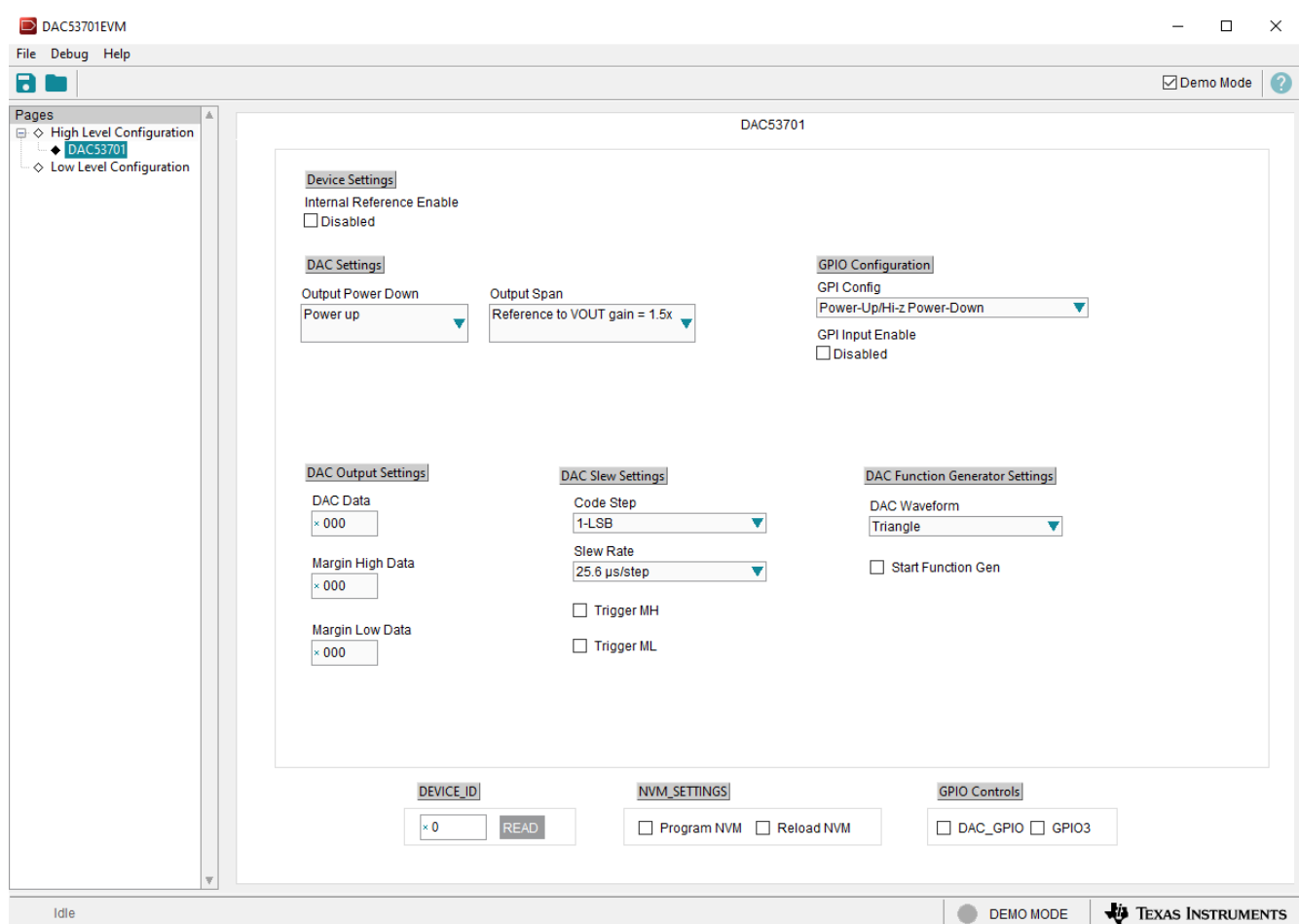


Figure 3-3. High Level Configuration Page

3.2.2.2 Low Level Configuration Page

Figure 3-4 shows the *Low Level Configuration* page that allows access to low-level communication directly with the respective DACx3701 device registers. Select a register on the *Register Map* list to show a description of the values in that register, as well as information on the register address, default value, size, and current value. Data are written to the registers by entering a value in the value column of the GUI.

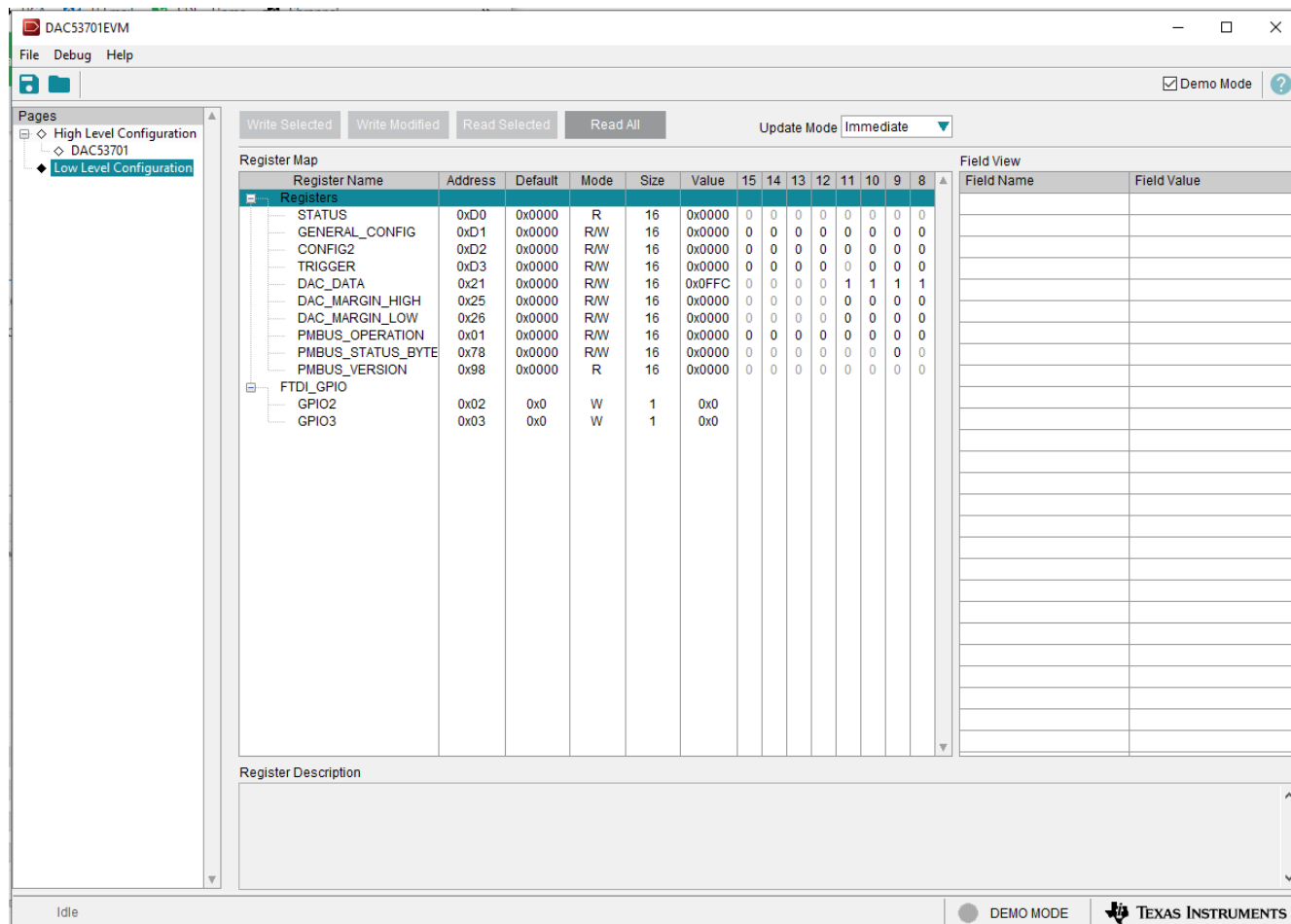


Figure 3-4. Low Level Configuration Page

To store the values of the register map locally, select *Save Configuration* under the *File* menu option. The stored configuration files can be recalled and loaded by selecting *Open Configuration*.

Figure 3-5 shows the four configuration buttons provided on the *Low Level Configuration* page that allow the user to read from and write to the device registers:

- **Write Selected**
- **Write Modified**
- **Read Selected**
- **Read All**

The **Write Modified** button is enabled only in *Deferred Update Mode*. *Deferred Update Mode* initiates a write operation only when the **Write Selected** or **Write Modified** buttons are pressed. By default, *Immediate Update Mode* is selected for the *Low Level Configuration* page write operations.

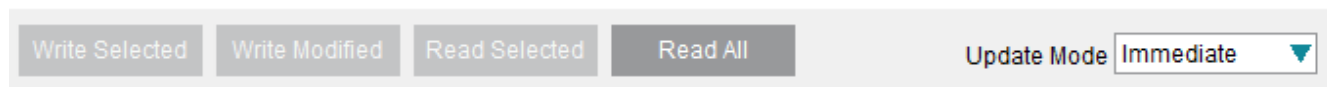
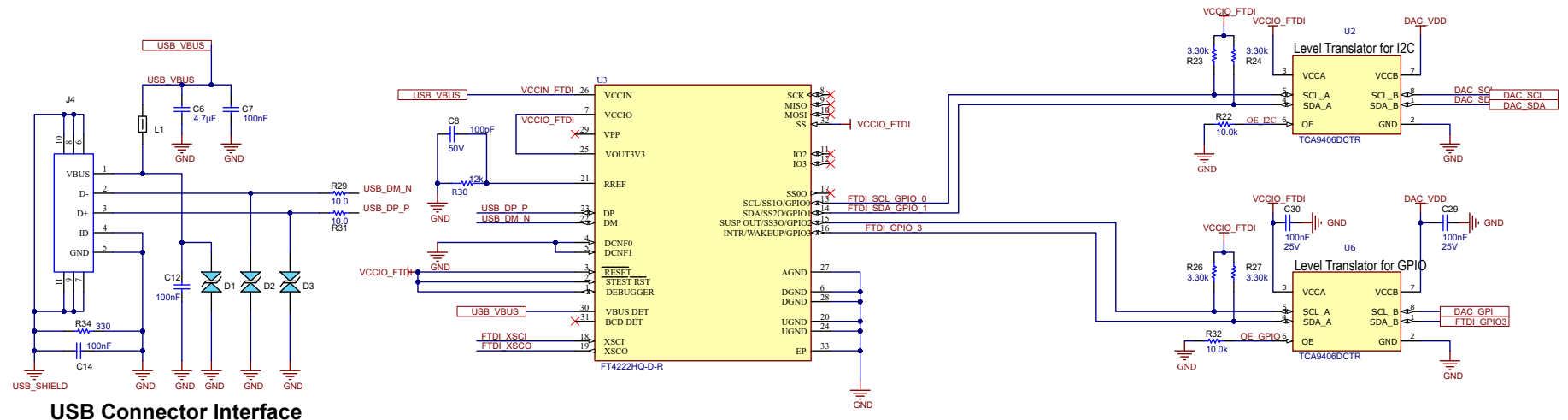


Figure 3-5. Low Level Configuration Page Options

4 Schematic, PCB Layout, and Bill of Materials

This section contains the schematics, printed circuit board (PCB) layout diagrams, and a complete bill of materials for the DAC53701EVM.

4.1 Schematic



USB to SPI/I2C Conversion

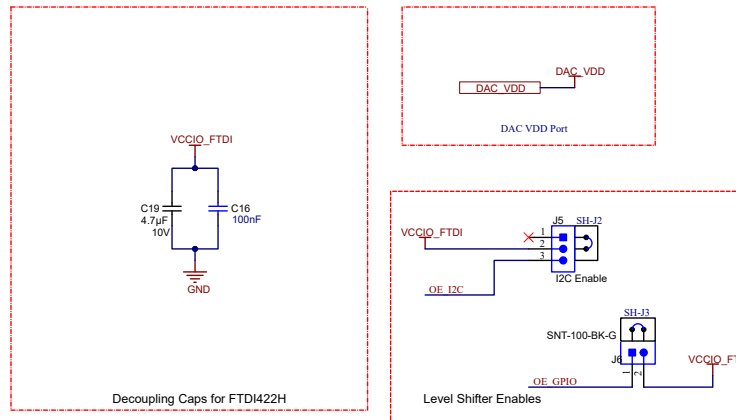
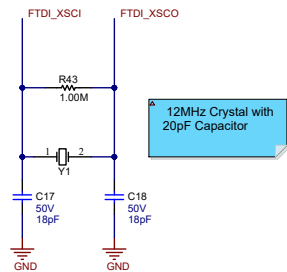


Figure 4-1. DAC53701EVM Schematic Page 1

4.2 PCB Layout

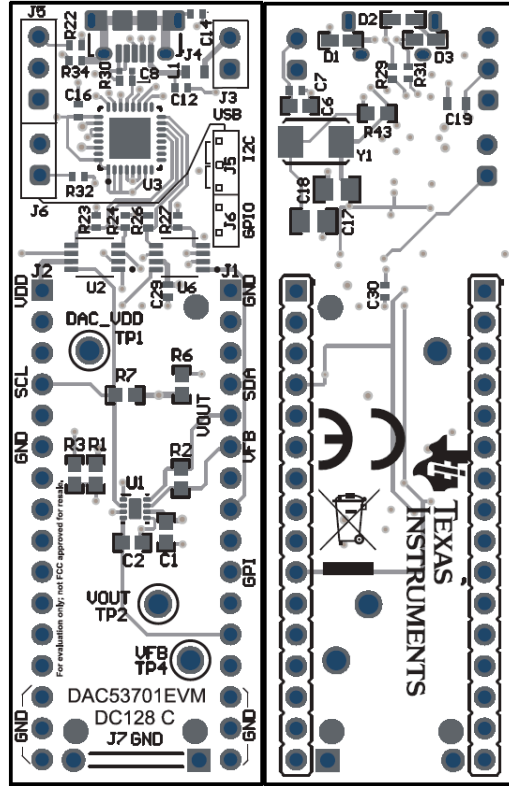


Figure 4-3. DAC53701EVM PCB Components Layout

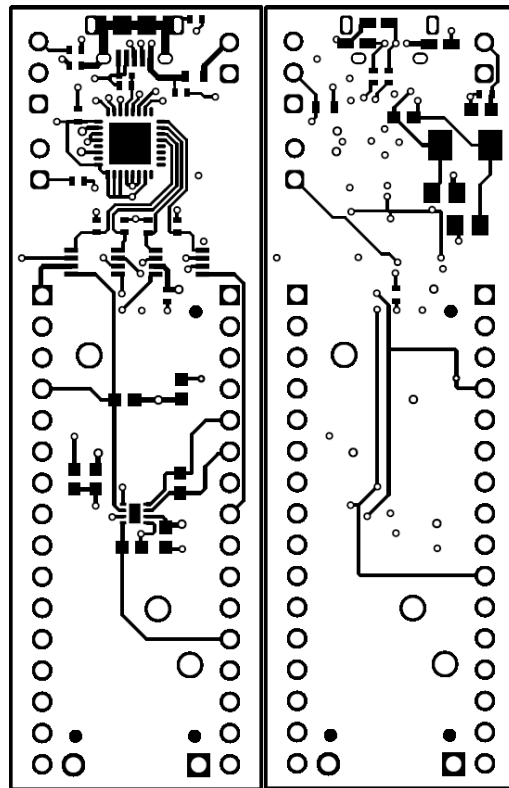


Figure 4-4. DAC53701EVM PCB Layers

4.3 Bill of Materials

Table 4-1. DAC53701EVM Bill of Materials

Designator	Quantity	Value	Description	Package Reference	Part Number	Manufacturer
!PCB	1		Printed Circuit Board		DC159	Any
C1	1	0.1 μ F	CAP, CERM, 0.1 μ F, 50 V, +/- 5%, X7R, 0603	0603	C1608X7R1E104K080AA	TDK
C2	1	2.2 μ F	CAP, CERM, 2.2 μ F, 10 V, +/- 10%, X7R, 0603	0603	C1608X7R1A225K080AC	TDK
C6, C19	2	4.7 μ F	CAP, CERM, 4.7 μ F, 10 V, +/- 20%, X7R, 0603	0603	GRM188Z71A475ME15D	MuRata
C7, C12, C14, C16, C29, C30	6	0.1 μ F	CAP, CERM, 0.1 μ F, 25 V, +/- 10%, X7R, 0402	0402	CC0402KRX7R8BB104	Yageo
C8	1	100 pF	CAP, CERM, 100 pF, 50 V, +/- 10%, X7R, 0402	0402	885012205055	Würth Elektronik
C17, C18	2	18 pF	CAP, CERM, 18 pF, 50 V, +/- 5%, C0G/NP0, 0805	0805	C0805C0G500-180JNE	Venkel
D1, D2, D3	3	24 V	PulseGuard ESD Suppressor, 24VDC, SMT	0603 TVS Diode	PGB1010603MR	Littelfuse
J1, J2	2		Connector Header Through Hole 16 position 0.100" (2.54mm)	HDR16	PEC16SABN	Sullins Connector Solutions
J3, J6	2		Header, 2.54mm, 2x1, Tin, TH	Header, 2.54mm, 2x1, TH	TSW-102-23-T-S	Samtec
J4	1		Receptacle, USB 2.0, Micro-USB Type B, R/A, SMT	USB-micro B USB 2.0, 0.65mm, 5 Pos, R/A, SMT	10118194-0001LF	FCI
J5	1		Header, 2.54mm, 3x1, Gold, TH	Header, 2.54mm, 3x1, TH	TSW-103-08-G-S	Samtec
J7	1		1MM UNINSULATED SHORTING PLUG	2 (1 x 2) Position Shunt Connector - Non-Insulated 0.400" (10.16mm) Gold	952-1873-ND	Harwin Inc.
L1	1	600 Ω	Ferrite Bead, 600 ohm @ 100 MHz, 1 A, 0603	0603	782633601	Würth Elektronik
R1	0	10.0 k Ω	RES, 10.0 k, 1%, 0.1 W, 0603	0603	RC0603FR-0710KL	Yageo
R2	1	0 Ω	RES, 0, 5%, 0.1 W, 0603	0603	RC0603JR-070RL	Yageo America
R3, R6, R7	3	10.0 k Ω	RES, 10.0 k, 1%, 0.1 W, 0603	0603	RC0603FR-0710KL	Yageo America
R22, R32	2	10.0 k Ω	RES, 10.0 k, 1%, 0.063 W, AEC-Q200 Grade 0, 0402	0402	RMCF0402FT10K0	Stackpole Electronics Inc
R23, R24, R26, R27	4	3.30 k Ω	RES, 3.30 k, 1%, 0.063 W, AEC-Q200 Grade 0, 0402	0402	RK73H1ETTP3301F	KOA Speer

Table 4-1. DAC53701EVM Bill of Materials (continued)

Designator	Quantity	Value	Description	Package Reference	Part Number	Manufacturer
R29, R31	2	10.0 Ω	RES, 10.0, 1%, 0.063 W, 0402	0402	RK73H1ETTP10R0F	KOA Speer
R30	1	12 kΩ	12 kOhms ±1% 0.1W, 1/10W Chip Resistor 0402 (1005 Metric) Automotive AEC-Q200 Thick Film	0402	ERJ-2RKF1202X	Panasonic ECG
R34	1	330 Ω	RES, 330, 1%, 0.1 W, AEC-Q200 Grade 0, 0402	0402	ERJ-2RKF3300X	Panasonic
R43	1	1 MΩ	RES, 1.00 M, 1%, 0.1 W, AEC-Q200 Grade 0, 0603	0603	CRCW06031M00FKEA	Vishay-Dale
SH-J1, SH-J2, SH-J3	3	1x2	Shunt, 100mil, Gold plated, Black	Shunt	SNT-100-BK-G	Samtec
TP1, TP4	2		Test Point, Black, Through Hole, RoHS, Bulk	5011	36-5011-ND	Keystone
TP2	1		Test Point, Red, Through Hole, RoHS, Bulk	5010	36-5010-ND	Keystone
U1	1		10-Bit and 8-Bit, Voltage-Output Smart DACs With Nonvolatile Memory and PMBus™ Compatible I2C Interface With GPI Control	WSON8	DAC53701DSGR	Texas Instruments
U2, U6	2		Voltage Level Translator Bidirectional 1 Circuit 2 Channel 24Mbps SM8	SSOP8	TCA9406DCTR	Texas Instruments
U3	1		USB2.0 to QuadSPI/I2C Bridge IC, VQFN-32	VQFN-32	FT4222HQ-D-R	FTDI
Y1	1		Crystal, 12 MHz, 18pF, SMD	ABM3	ABM3-12.000MHZ-B2-T	Abracon Corporation

5 Revision History

NOTE: Page numbers for previous revisions may differ from page numbers in the current version.

Changes from Revision * (October 2020) to Revision A (October 2022)	Page
• Added onboard controller to the EVM instead of requiring an external controller.....	1
• Changed hardware setup instructions to support new onboard controller.....	1
• Changed GUI to support new onboard controller.....	1
• Changed GUI setup instructions and description to support the new GUI.	1

STANDARD TERMS FOR EVALUATION MODULES

1. *Delivery:* TI delivers TI evaluation boards, kits, or modules, including any accompanying demonstration software, components, and/or documentation which may be provided together or separately (collectively, an "EVM" or "EVMs") to the User ("User") in accordance with the terms set forth herein. User's acceptance of the EVM is expressly subject to the following terms.
 - 1.1 EVMs are intended solely for product or software developers for use in a research and development setting to facilitate feasibility evaluation, experimentation, or scientific analysis of TI semiconductor products. EVMs have no direct function and are not finished products. EVMs shall not be directly or indirectly assembled as a part or subassembly in any finished product. For clarification, any software or software tools provided with the EVM ("Software") shall not be subject to the terms and conditions set forth herein but rather shall be subject to the applicable terms that accompany such Software
 - 1.2 EVMs are not intended for consumer or household use. EVMs may not be sold, sublicensed, leased, rented, loaned, assigned, or otherwise distributed for commercial purposes by Users, in whole or in part, or used in any finished product or production system.
2. *Limited Warranty and Related Remedies/Disclaimers:*
 - 2.1 These terms do not apply to Software. The warranty, if any, for Software is covered in the applicable Software License Agreement.
 - 2.2 TI warrants that the TI EVM will conform to TI's published specifications for ninety (90) days after the date TI delivers such EVM to User. Notwithstanding the foregoing, TI shall not be liable for a nonconforming EVM if (a) the nonconformity was caused by neglect, misuse or mistreatment by an entity other than TI, including improper installation or testing, or for any EVMs that have been altered or modified in any way by an entity other than TI, (b) the nonconformity resulted from User's design, specifications or instructions for such EVMs or improper system design, or (c) User has not paid on time. Testing and other quality control techniques are used to the extent TI deems necessary. TI does not test all parameters of each EVM. User's claims against TI under this Section 2 are void if User fails to notify TI of any apparent defects in the EVMs within ten (10) business days after delivery, or of any hidden defects with ten (10) business days after the defect has been detected.
 - 2.3 TI's sole liability shall be at its option to repair or replace EVMs that fail to conform to the warranty set forth above, or credit User's account for such EVM. TI's liability under this warranty shall be limited to EVMs that are returned during the warranty period to the address designated by TI and that are determined by TI not to conform to such warranty. If TI elects to repair or replace such EVM, TI shall have a reasonable time to repair such EVM or provide replacements. Repaired EVMs shall be warranted for the remainder of the original warranty period. Replaced EVMs shall be warranted for a new full ninety (90) day warranty period.

WARNING

Evaluation Kits are intended solely for use by technically qualified, professional electronics experts who are familiar with the dangers and application risks associated with handling electrical mechanical components, systems, and subsystems.

User shall operate the Evaluation Kit within TI's recommended guidelines and any applicable legal or environmental requirements as well as reasonable and customary safeguards. Failure to set up and/or operate the Evaluation Kit within TI's recommended guidelines may result in personal injury or death or property damage. Proper set up entails following TI's instructions for electrical ratings of interface circuits such as input, output and electrical loads.

NOTE:

EXPOSURE TO ELECTROSTATIC DISCHARGE (ESD) MAY CAUSE DEGRADATION OR FAILURE OF THE EVALUATION KIT; TI RECOMMENDS STORAGE OF THE EVALUATION KIT IN A PROTECTIVE ESD BAG.

3 Regulatory Notices:

3.1 United States

3.1.1 Notice applicable to EVMs not FCC-Approved:

FCC NOTICE: This kit is designed to allow product developers to evaluate electronic components, circuitry, or software associated with the kit to determine whether to incorporate such items in a finished product and software developers to write software applications for use with the end product. This kit is not a finished product and when assembled may not be resold or otherwise marketed unless all required FCC equipment authorizations are first obtained. Operation is subject to the condition that this product not cause harmful interference to licensed radio stations and that this product accept harmful interference. Unless the assembled kit is designed to operate under part 15, part 18 or part 95 of this chapter, the operator of the kit must operate under the authority of an FCC license holder or must secure an experimental authorization under part 5 of this chapter.

3.1.2 For EVMs annotated as FCC – FEDERAL COMMUNICATIONS COMMISSION Part 15 Compliant:

CAUTION

This device complies with part 15 of the FCC Rules. Operation is subject to the following two conditions: (1) This device may not cause harmful interference, and (2) this device must accept any interference received, including interference that may cause undesired operation.

Changes or modifications not expressly approved by the party responsible for compliance could void the user's authority to operate the equipment.

FCC Interference Statement for Class A EVM devices

NOTE: This equipment has been tested and found to comply with the limits for a Class A digital device, pursuant to part 15 of the FCC Rules. These limits are designed to provide reasonable protection against harmful interference when the equipment is operated in a commercial environment. This equipment generates, uses, and can radiate radio frequency energy and, if not installed and used in accordance with the instruction manual, may cause harmful interference to radio communications. Operation of this equipment in a residential area is likely to cause harmful interference in which case the user will be required to correct the interference at his own expense.

FCC Interference Statement for Class B EVM devices

NOTE: This equipment has been tested and found to comply with the limits for a Class B digital device, pursuant to part 15 of the FCC Rules. These limits are designed to provide reasonable protection against harmful interference in a residential installation. This equipment generates, uses and can radiate radio frequency energy and, if not installed and used in accordance with the instructions, may cause harmful interference to radio communications. However, there is no guarantee that interference will not occur in a particular installation. If this equipment does cause harmful interference to radio or television reception, which can be determined by turning the equipment off and on, the user is encouraged to try to correct the interference by one or more of the following measures:

- Reorient or relocate the receiving antenna.
- Increase the separation between the equipment and receiver.
- Connect the equipment into an outlet on a circuit different from that to which the receiver is connected.
- Consult the dealer or an experienced radio/TV technician for help.

3.2 Canada

3.2.1 For EVMs issued with an Industry Canada Certificate of Conformance to RSS-210 or RSS-247

Concerning EVMs Including Radio Transmitters:

This device complies with Industry Canada license-exempt RSSs. Operation is subject to the following two conditions:

(1) this device may not cause interference, and (2) this device must accept any interference, including interference that may cause undesired operation of the device.

Concernant les EVMs avec appareils radio:

Le présent appareil est conforme aux CNR d'Industrie Canada applicables aux appareils radio exempts de licence. L'exploitation est autorisée aux deux conditions suivantes: (1) l'appareil ne doit pas produire de brouillage, et (2) l'utilisateur de l'appareil doit accepter tout brouillage radioélectrique subi, même si le brouillage est susceptible d'en compromettre le fonctionnement.

Concerning EVMs Including Detachable Antennas:

Under Industry Canada regulations, this radio transmitter may only operate using an antenna of a type and maximum (or lesser) gain approved for the transmitter by Industry Canada. To reduce potential radio interference to other users, the antenna type and its gain should be so chosen that the equivalent isotropically radiated power (e.i.r.p.) is not more than that necessary for successful communication. This radio transmitter has been approved by Industry Canada to operate with the antenna types listed in the user guide with the maximum permissible gain and required antenna impedance for each antenna type indicated. Antenna types not included in this list, having a gain greater than the maximum gain indicated for that type, are strictly prohibited for use with this device.

Concernant les EVMs avec antennes détachables

Conformément à la réglementation d'Industrie Canada, le présent émetteur radio peut fonctionner avec une antenne d'un type et d'un gain maximal (ou inférieur) approuvé pour l'émetteur par Industrie Canada. Dans le but de réduire les risques de brouillage radioélectrique à l'intention des autres utilisateurs, il faut choisir le type d'antenne et son gain de sorte que la puissance isotrope rayonnée équivalente (p.i.r.e.) ne dépasse pas l'intensité nécessaire à l'établissement d'une communication satisfaisante. Le présent émetteur radio a été approuvé par Industrie Canada pour fonctionner avec les types d'antenne énumérés dans le manuel d'usage et ayant un gain admissible maximal et l'impédance requise pour chaque type d'antenne. Les types d'antenne non inclus dans cette liste, ou dont le gain est supérieur au gain maximal indiqué, sont strictement interdits pour l'exploitation de l'émetteur.

3.3 Japan

3.3.1 *Notice for EVMs delivered in Japan:* Please see http://www.tij.co.jp/lstds/ti_ja/general/eStore/notice_01.page 日本国内に輸入される評価用キット、ボードについては、次のところをご覧ください。
http://www.tij.co.jp/lstds/ti_ja/general/eStore/notice_01.page

3.3.2 *Notice for Users of EVMs Considered "Radio Frequency Products" in Japan:* EVMs entering Japan may not be certified by TI as conforming to Technical Regulations of Radio Law of Japan.

If User uses EVMs in Japan, not certified to Technical Regulations of Radio Law of Japan, User is required to follow the instructions set forth by Radio Law of Japan, which includes, but is not limited to, the instructions below with respect to EVMs (which for the avoidance of doubt are stated strictly for convenience and should be verified by User):

1. Use EVMs in a shielded room or any other test facility as defined in the notification #173 issued by Ministry of Internal Affairs and Communications on March 28, 2006, based on Sub-section 1.1 of Article 6 of the Ministry's Rule for Enforcement of Radio Law of Japan,
2. Use EVMs only after User obtains the license of Test Radio Station as provided in Radio Law of Japan with respect to EVMs, or
3. Use of EVMs only after User obtains the Technical Regulations Conformity Certification as provided in Radio Law of Japan with respect to EVMs. Also, do not transfer EVMs, unless User gives the same notice above to the transferee. Please note that if User does not follow the instructions above, User will be subject to penalties of Radio Law of Japan.

【無線電波を送信する製品の開発キットをお使いになる際の注意事項】 開発キットの中には技術基準適合証明を受けていないものがあります。技術適合証明を受けていないものご使用に際しては、電波法遵守のため、以下のいずれかの措置を取っていただく必要がありますのでご注意ください。

1. 電波法施行規則第6条第1項第1号に基づく平成18年3月28日総務省告示第173号で定められた電波暗室等の試験設備でご使用いただく。
2. 実験局の免許を取得後ご使用いただく。
3. 技術基準適合証明を取得後ご使用いただく。

なお、本製品は、上記の「ご使用にあたっての注意」を譲渡先、移転先に通知しない限り、譲渡、移転できないものとします。

上記を遵守頂けない場合は、電波法の罰則が適用される可能性があることをご留意ください。日本テキサス・インスツルメンツ株式会社
東京都新宿区西新宿 6 丁目 2 4 番 1 号
西新宿三井ビル

3.3.3 *Notice for EVMs for Power Line Communication:* Please see http://www.tij.co.jp/lstds/ti_ja/general/eStore/notice_02.page
電力線搬送波通信についての開発キットをお使いになる際の注意事項については、次のところをご覧ください。http://www.tij.co.jp/lstds/ti_ja/general/eStore/notice_02.page

3.4 European Union

3.4.1 *For EVMs subject to EU Directive 2014/30/EU (Electromagnetic Compatibility Directive):*

This is a class A product intended for use in environments other than domestic environments that are connected to a low-voltage power-supply network that supplies buildings used for domestic purposes. In a domestic environment this product may cause radio interference in which case the user may be required to take adequate measures.

-
- 4 *EVM Use Restrictions and Warnings:*
 - 4.1 EVMS ARE NOT FOR USE IN FUNCTIONAL SAFETY AND/OR SAFETY CRITICAL EVALUATIONS, INCLUDING BUT NOT LIMITED TO EVALUATIONS OF LIFE SUPPORT APPLICATIONS.
 - 4.2 User must read and apply the user guide and other available documentation provided by TI regarding the EVM prior to handling or using the EVM, including without limitation any warning or restriction notices. The notices contain important safety information related to, for example, temperatures and voltages.
 - 4.3 *Safety-Related Warnings and Restrictions:*
 - 4.3.1 User shall operate the EVM within TI's recommended specifications and environmental considerations stated in the user guide, other available documentation provided by TI, and any other applicable requirements and employ reasonable and customary safeguards. Exceeding the specified performance ratings and specifications (including but not limited to input and output voltage, current, power, and environmental ranges) for the EVM may cause personal injury or death, or property damage. If there are questions concerning performance ratings and specifications, User should contact a TI field representative prior to connecting interface electronics including input power and intended loads. Any loads applied outside of the specified output range may also result in unintended and/or inaccurate operation and/or possible permanent damage to the EVM and/or interface electronics. Please consult the EVM user guide prior to connecting any load to the EVM output. If there is uncertainty as to the load specification, please contact a TI field representative. During normal operation, even with the inputs and outputs kept within the specified allowable ranges, some circuit components may have elevated case temperatures. These components include but are not limited to linear regulators, switching transistors, pass transistors, current sense resistors, and heat sinks, which can be identified using the information in the associated documentation. When working with the EVM, please be aware that the EVM may become very warm.
 - 4.3.2 EVMs are intended solely for use by technically qualified, professional electronics experts who are familiar with the dangers and application risks associated with handling electrical mechanical components, systems, and subsystems. User assumes all responsibility and liability for proper and safe handling and use of the EVM by User or its employees, affiliates, contractors or designees. User assumes all responsibility and liability to ensure that any interfaces (electronic and/or mechanical) between the EVM and any human body are designed with suitable isolation and means to safely limit accessible leakage currents to minimize the risk of electrical shock hazard. User assumes all responsibility and liability for any improper or unsafe handling or use of the EVM by User or its employees, affiliates, contractors or designees.
 - 4.4 User assumes all responsibility and liability to determine whether the EVM is subject to any applicable international, federal, state, or local laws and regulations related to User's handling and use of the EVM and, if applicable, User assumes all responsibility and liability for compliance in all respects with such laws and regulations. User assumes all responsibility and liability for proper disposal and recycling of the EVM consistent with all applicable international, federal, state, and local requirements.
 5. *Accuracy of Information:* To the extent TI provides information on the availability and function of EVMs, TI attempts to be as accurate as possible. However, TI does not warrant the accuracy of EVM descriptions, EVM availability or other information on its websites as accurate, complete, reliable, current, or error-free.
 6. *Disclaimers:*
 - 6.1 EXCEPT AS SET FORTH ABOVE, EVMS AND ANY MATERIALS PROVIDED WITH THE EVM (INCLUDING, BUT NOT LIMITED TO, REFERENCE DESIGNS AND THE DESIGN OF THE EVM ITSELF) ARE PROVIDED "AS IS" AND "WITH ALL FAULTS." TI DISCLAIMS ALL OTHER WARRANTIES, EXPRESS OR IMPLIED, REGARDING SUCH ITEMS, INCLUDING BUT NOT LIMITED TO ANY EPIDEMIC FAILURE WARRANTY OR IMPLIED WARRANTIES OF MERCHANTABILITY OR FITNESS FOR A PARTICULAR PURPOSE OR NON-INFRINGEMENT OF ANY THIRD PARTY PATENTS, COPYRIGHTS, TRADE SECRETS OR OTHER INTELLECTUAL PROPERTY RIGHTS.
 - 6.2 EXCEPT FOR THE LIMITED RIGHT TO USE THE EVM SET FORTH HEREIN, NOTHING IN THESE TERMS SHALL BE CONSTRUED AS GRANTING OR CONFERRING ANY RIGHTS BY LICENSE, PATENT, OR ANY OTHER INDUSTRIAL OR INTELLECTUAL PROPERTY RIGHT OF TI, ITS SUPPLIERS/LICENSORS OR ANY OTHER THIRD PARTY, TO USE THE EVM IN ANY FINISHED END-USER OR READY-TO-USE FINAL PRODUCT, OR FOR ANY INVENTION, DISCOVERY OR IMPROVEMENT, REGARDLESS OF WHEN MADE, CONCEIVED OR ACQUIRED.
 7. *USER'S INDEMNITY OBLIGATIONS AND REPRESENTATIONS.* USER WILL DEFEND, INDEMNIFY AND HOLD TI, ITS LICENSORS AND THEIR REPRESENTATIVES HARMLESS FROM AND AGAINST ANY AND ALL CLAIMS, DAMAGES, LOSSES, EXPENSES, COSTS AND LIABILITIES (COLLECTIVELY, "CLAIMS") ARISING OUT OF OR IN CONNECTION WITH ANY HANDLING OR USE OF THE EVM THAT IS NOT IN ACCORDANCE WITH THESE TERMS. THIS OBLIGATION SHALL APPLY WHETHER CLAIMS ARISE UNDER STATUTE, REGULATION, OR THE LAW OF TORT, CONTRACT OR ANY OTHER LEGAL THEORY, AND EVEN IF THE EVM FAILS TO PERFORM AS DESCRIBED OR EXPECTED.
-

8. *Limitations on Damages and Liability:*

8.1 *General Limitations.* IN NO EVENT SHALL TI BE LIABLE FOR ANY SPECIAL, COLLATERAL, INDIRECT, PUNITIVE, INCIDENTAL, CONSEQUENTIAL, OR EXEMPLARY DAMAGES IN CONNECTION WITH OR ARISING OUT OF THESE TERMS OR THE USE OF THE EVMS , REGARDLESS OF WHETHER TI HAS BEEN ADVISED OF THE POSSIBILITY OF SUCH DAMAGES. EXCLUDED DAMAGES INCLUDE, BUT ARE NOT LIMITED TO, COST OF REMOVAL OR REINSTALLATION, ANCILLARY COSTS TO THE PROCUREMENT OF SUBSTITUTE GOODS OR SERVICES, RETESTING, OUTSIDE COMPUTER TIME, LABOR COSTS, LOSS OF GOODWILL, LOSS OF PROFITS, LOSS OF SAVINGS, LOSS OF USE, LOSS OF DATA, OR BUSINESS INTERRUPTION. NO CLAIM, SUIT OR ACTION SHALL BE BROUGHT AGAINST TI MORE THAN TWELVE (12) MONTHS AFTER THE EVENT THAT GAVE RISE TO THE CAUSE OF ACTION HAS OCCURRED.

8.2 *Specific Limitations.* IN NO EVENT SHALL TI'S AGGREGATE LIABILITY FROM ANY USE OF AN EVM PROVIDED HEREUNDER, INCLUDING FROM ANY WARRANTY, INDEMNITY OR OTHER OBLIGATION ARISING OUT OF OR IN CONNECTION WITH THESE TERMS, , EXCEED THE TOTAL AMOUNT PAID TO TI BY USER FOR THE PARTICULAR EVM(S) AT ISSUE DURING THE PRIOR TWELVE (12) MONTHS WITH RESPECT TO WHICH LOSSES OR DAMAGES ARE CLAIMED. THE EXISTENCE OF MORE THAN ONE CLAIM SHALL NOT ENLARGE OR EXTEND THIS LIMIT.

9. *Return Policy.* Except as otherwise provided, TI does not offer any refunds, returns, or exchanges. Furthermore, no return of EVM(s) will be accepted if the package has been opened and no return of the EVM(s) will be accepted if they are damaged or otherwise not in a resalable condition. If User feels it has been incorrectly charged for the EVM(s) it ordered or that delivery violates the applicable order, User should contact TI. All refunds will be made in full within thirty (30) working days from the return of the components(s), excluding any postage or packaging costs.

10. *Governing Law:* These terms and conditions shall be governed by and interpreted in accordance with the laws of the State of Texas, without reference to conflict-of-laws principles. User agrees that non-exclusive jurisdiction for any dispute arising out of or relating to these terms and conditions lies within courts located in the State of Texas and consents to venue in Dallas County, Texas. Notwithstanding the foregoing, any judgment may be enforced in any United States or foreign court, and TI may seek injunctive relief in any United States or foreign court.

Mailing Address: Texas Instruments, Post Office Box 655303, Dallas, Texas 75265
Copyright © 2019, Texas Instruments Incorporated

IMPORTANT NOTICE AND DISCLAIMER

TI PROVIDES TECHNICAL AND RELIABILITY DATA (INCLUDING DATASHEETS), DESIGN RESOURCES (INCLUDING REFERENCE DESIGNS), APPLICATION OR OTHER DESIGN ADVICE, WEB TOOLS, SAFETY INFORMATION, AND OTHER RESOURCES "AS IS" AND WITH ALL FAULTS, AND DISCLAIMS ALL WARRANTIES, EXPRESS AND IMPLIED, INCLUDING WITHOUT LIMITATION ANY IMPLIED WARRANTIES OF MERCHANTABILITY, FITNESS FOR A PARTICULAR PURPOSE OR NON-INFRINGEMENT OF THIRD PARTY INTELLECTUAL PROPERTY RIGHTS.

These resources are intended for skilled developers designing with TI products. You are solely responsible for (1) selecting the appropriate TI products for your application, (2) designing, validating and testing your application, and (3) ensuring your application meets applicable standards, and any other safety, security, regulatory or other requirements.

These resources are subject to change without notice. TI grants you permission to use these resources only for development of an application that uses the TI products described in the resource. Other reproduction and display of these resources is prohibited. No license is granted to any other TI intellectual property right or to any third party intellectual property right. TI disclaims responsibility for, and you fully indemnify TI and its representatives against any claims, damages, costs, losses, and liabilities arising out of your use of these resources.

TI's products are provided subject to [TI's Terms of Sale](#), [TI's General Quality Guidelines](#), or other applicable terms available either on ti.com or provided in conjunction with such TI products. TI's provision of these resources does not expand or otherwise alter TI's applicable warranties or warranty disclaimers for TI products. Unless TI explicitly designates a product as custom or customer-specified, TI products are standard, catalog, general purpose devices.

TI objects to and rejects any additional or different terms you may propose.

Copyright © 2026, Texas Instruments Incorporated

Last updated 10/2025