



## ABSTRACT

This document describes the known exceptions to the functional specifications (advisories).

---

## Table of Contents

|   |    |
|---|----|
| <b>1 Functional Advisories</b> .....  | 2  |
| <b>2 Preprogrammed Software Advisories</b> .....                                | 2  |
| <b>3 Debug Only Advisories</b> .....  | 2  |
| <b>4 Fixed by Compiler Advisories</b> .....                                     | 3  |
| <b>5 Nomenclature, Package Symbolization, and Revision Identification</b> ..... | 4  |
| 5.1 Device Nomenclature.....  | 4  |
| 5.2 Package Markings.....   | 4  |
| 5.3 Memory-Mapped Hardware Revision (TLV Structure).....                        | 5  |
| <b>6 Advisory Descriptions</b> .....  | 6  |
| <b>7 Revision History</b> .....   | 21 |

## 1 Functional Advisories

Advisories that affect the device's operation, function, or parametrics.

✓ The check mark indicates that the issue is present in the specified revision.

| Errata Number | Rev A |
|---------------|-------|
| CPU44         | ✓     |
| DMA3          | ✓     |
| DMA4          | ✓     |
| DMA13         | ✓     |
| FLASH19       | ✓     |
| FLASH24       | ✓     |
| FLASH27       | ✓     |
| FLL3          | ✓     |
| FLL8          | ✓     |
| LCDA5         | ✓     |
| LCDA6         | ✓     |
| LCDA7         | ✓     |
| TA12          | ✓     |
| TA16          | ✓     |
| TA21          | ✓     |
| TAB22         | ✓     |
| TB2           | ✓     |
| TB16          | ✓     |
| TB24          | ✓     |
| USCI20        | ✓     |
| USCI21        | ✓     |
| USCI22        | ✓     |
| USCI23        | ✓     |
| USCI24        | ✓     |
| USCI25        | ✓     |
| USCI26        | ✓     |
| USCI28        | ✓     |
| USCI30        | ✓     |
| USCI34        | ✓     |
| USCI35        | ✓     |
| USCI40        | ✓     |
| XOSC5         | ✓     |
| XOSC8         | ✓     |
| XOSC9         | ✓     |

## 2 Preprogrammed Software Advisories

Advisories that affect factory-programmed software.

✓ The check mark indicates that the issue is present in the specified revision.

The device does not have any errata for this category.

## 3 Debug Only Advisories

Advisories that affect only debug operation.

✓ The check mark indicates that the issue is present in the specified revision.

| Errata Number          | Rev A |
|------------------------|-------|
| <a href="#">EEM20</a>  | ✓     |
| <a href="#">JTAG23</a> | ✓     |

## 4 Fixed by Compiler Advisories

Advisories that are resolved by compiler workaround. Refer to each advisory for the IDE and compiler versions with a workaround.

✓ The check mark indicates that the issue is present in the specified revision.

| Errata Number         | Rev A |
|-----------------------|-------|
| <a href="#">CPU19</a> | ✓     |

Refer to the following MSP430 compiler documentation for more details about the CPU bugs workarounds.

### TI MSP430 Compiler Tools (Code Composer Studio IDE)

- [MSP430 Optimizing C/C++ Compiler](#): Check the `--silicon_errata` option
- [MSP430 Assembly Language Tools](#)

### MSP430 GNU Compiler (MSP430-GCC)

- [MSP430 GCC Options](#): Check `-msilicon-errata=` and `-msilicon-errata-warn=` options
- [MSP430 GCC User's Guide](#)

### IAR Embedded Workbench

- [IAR workarounds for msp430 hardware issues](#)

## 5 Nomenclature, Package Symbolization, and Revision Identification

The revision of the device can be identified by the revision letter on the [Package Markings](#) or by the [HW\\_ID](#) located inside the TLV structure of the device.

### 5.1 Device Nomenclature

To designate the stages in the product development cycle, TI assigns prefixes to the part numbers of all MSP MCU devices. Each MSP MCU commercial family member has one of two prefixes: MSP or XMS. These prefixes represent evolutionary stages of product development from engineering prototypes (XMS) through fully qualified production devices (MSP).

**XMS** – Experimental device that is not necessarily representative of the final device's electrical specifications

**MSP** – Fully qualified production device

Support tool naming prefixes:

**X**: Development-support product that has not yet completed Texas Instruments internal qualification testing.

**null**: Fully-qualified development-support product.

XMS devices and X development-support tools are shipped against the following disclaimer:

"Developmental product is intended for internal evaluation purposes."

MSP devices have been characterized fully, and the quality and reliability of the device have been demonstrated fully. TI's standard warranty applies.




Predictions show that prototype devices (XMS) have a greater failure rate than the standard production devices. TI recommends that these devices not be used in any production system because their expected end-use failure rate still is undefined. Only qualified production devices are to be used.

TI device nomenclature also includes a suffix with the device family name. This suffix indicates the temperature range, package type, and distribution format.

### 5.2 Package Markings

#### PZ100

#### LQFP (PZ) 100 Pin

|  |  |
|--|--|
| <br>NNNNNNNN<br>M430Fxxxx<br>REV #<br>○         | # = Die revision<br>○ = Pin 1 location<br>N = Lot trace code |
| <br>NNNNNNNG4<br>M430Fxxxx<br>Rev #<br>○        | # = Die revision<br>○ = Pin 1 location<br>N = Lot trace code |
| <br>NNNNNNNG4<br>MSP430™<br>Fxxxx<br>Rev #<br>○ | # = Die revision<br>○ = Pin 1 location<br>N = Lot trace code |

NOTE: Package marking with "TM" applies only to devices released after 2011.

### **5.3 Memory-Mapped Hardware Revision (TLV Structure)**

This device does not support reading the hardware revision from memory.

Further guidance on how to locate the TLV structure and read out the HW\_ID can be found in the device User's Guide.

## 6 Advisory Descriptions

### CPU19 *CPU Module*

**Category** Compiler-Fixed

**Function** CPUOFF modification may result in unintentional register read

**Description** If an instruction that modifies the CPUOFF bit in the Status Register is followed by an instruction with an indirect addressed operand (e.g. MOV @R8, R9, RET, POP, POPM), an unintentional register read operation can occur during the wakeup of the CPU. If the unintentional read occurs to a read sensitive register (e.g. UCB0RXBUF, TAIV), which changes its value or the value of other registers (IFG's), the bug leads to lost interrupts or wrong register read values.

**Workaround** Insert a NOP instruction after each CPUOFF instruction.

OR

Refer to the table below for compiler-specific fix implementation information. Note that compilers implementing the fix may lead to double stack usage when RET/RETA follows the compiler-inserted NOP.

| IDE/Compiler                                    | Version Number                    | Notes   |
|---|-----------------------------------|---|
| IAR Embedded Workbench                          | IAR EW430 v6.20.1 until v6.40     | User is required to add the compiler or assembler flag option below. --hw_workaround=nop_after_lpm  |
| IAR Embedded Workbench                          | IAR EW430 v6.40 or later          | Workaround is automatically enabled   |
| TI MSP430 Compiler Tools (Code Composer Studio) | 15.12.0.LTS                       | User is required to add the compiler or assembler flag option below. --silicon_errata=CPU19   |
| MSP430 GNU Compiler (MSP430-GCC)                | MSP430-GCC 4.9 build 389 or later | User is required to add the compiler or assembler flag option below. -msilicon-errata=cpu19 -msilicon-errata-warn=cpu19 generates a warning in addition |
| MSP430 GNU Compiler (MSP430-GCC)                | MSP430-GCC 5.x build 14 or later  | User is required to add the compiler or assembler flag option below. -msilicon-errata=cpu19 -msilicon-errata-warn=cpu19 generates a warning in addition |

### CPU44 *CPU Module*

**Category** Functional

**Function** Incorrect address fetching during interrupt decoding

**Description** The CPU uses the default reset address if an interrupt is fired during the same time window as the module interrupt is being disabled. The failure only occurs at high temperature and/or when the frequency is near the maximum allowable range for the current VCC.

- Workaround**
- 1) Keep the system frequency lower from the maximum allowable value for the system VCC.  
OR
  - 2) Use the DINT before clearing the module interrupt enable (IE) bit.  
Example for USCI\_A0:

```

__disable_interrupt(); // Workaround
IE2 &= ~(UCA0TXIE);
__enable_interrupt();

```

### DMA3 *DMA Module*

---

**Category** Functional

**Function** Read-modify-write instructions may corrupt DMA address registers

**Description** When a 16-bit wide read-modify-write instruction (such as add.w and sub.w) is directly used on a DMA address register (DMAxSA or DMAxDA), the register contents will get corrupted.

- Workaround**
1. Do not use 16-bit wide read-modify-write instructions on DMA address registers. Instead, in case address calculations are necessary, do the calculations first, and then assign the result to the DMA address registers.  
OR
  2. Use 20-bit wide read-modify-write instructions (such as addx.a, subx.a) on the DMA address registers if needed.

### DMA4 *DMA Module*

---

**Category** Functional

**Function** Corrupted write access to 20-bit DMA registers

**Description** When a 20-bit wide write to a DMA address register (DMAxSA or DMAxDA) is interrupted by a DMA transfer, the register contents may be unpredictable.

- Workaround**
1. Design the application to guarantee that no DMA access interrupts 20-bit wide accesses to the DMA address registers.

OR

2. When accessing the DMA address registers, enable the Read Modify Write disable bit (DMARMWDIS = 1) or temporarily disable all active DMA channels (DMAEN = 0).

OR

3. Use word access for accessing the DMA address registers. Note that this limits the values that can be written to the address registers to 16-bit values (lower 64K of Flash).

### DMA13 *DMA Module*

---

**Category** Functional

**Function** Clearing the DMAONFETCH bit may result in unpredictable code execution

|                    |   |
|--------------------|---|
| <b>Description</b> | If the DMA module is used with DMACTL1.DMAONFETCH = 0, DMA transfer requests occur immediately upon receiving the request. This may result in unpredictable code execution by the CPU.  |
| <b>Workaround</b>  | Always ensure that DMACTL1.DMAONFETCH = 1. Note that this needs to be set explicitly by the user and is not the default setting for the DMACTL1 register.   |
| <br>               |   |
| <b>EEM20</b>       | <b><i>EEM Module</i></b>  |
| <hr/>              |   |
| <b>Category</b>    | Debug   |
| <b>Function</b>    | Debugger might clear interrupt flags  |
| <b>Description</b> | During debugging read-sensitive interrupt flags might be cleared as soon as the debugger stops. This is valid in both single-stepping and free run modes.   |
| <b>Workaround</b>  | None.   |
| <br>               |   |
| <b>FLASH19</b>     | <b><i>FLASH Module</i></b>  |
| <hr/>              |   |
| <b>Category</b>    | Functional  |
| <b>Function</b>    | EEL feature does not work for code execution from RAM   |
| <b>Description</b> | When the program is executed from RAM, the flash controller EEI feature does not work. The erase cycle is suspended and the interrupt is serviced, but there is a problem while resuming with the erase cycle.<br><br>Addresses applied to flash are different than the actual values while resuming erase cycle after ISR execution.   |
| <b>Workaround</b>  | None  |
| <br>               |   |
| <b>FLASH24</b>     | <b><i>FLASH Module</i></b>  |
| <hr/>              |   |
| <b>Category</b>    | Functional  |
| <b>Function</b>    | Write or erase emergency exit can cause failures  |
| <b>Description</b> | When a flash write or erase is abruptly terminated, the following flash accesses by the CPU may be unreliable resulting in erroneous code execution. The abrupt termination can be the result of one the following events:<br>1) The flash controller clock is configured to be sourced by an external crystal. An oscillator fault occurs thus stopping this clock abruptly.<br>or<br>2) The Emergency Exit bit (EMEX in FCTL3) when set forces a write or an erase operation to be terminated before normal completion.<br>or<br>3) The Enable Emergency Interrupt Exit bit (EEIEX in FCTL1) when set with GIE=1 can lead to an interrupt causing an emergency exit during a Flash operation. |
| <b>Workaround</b>  | 1) Use the internal DCO as the flash controller clock provided from MCLK or SMCLK.<br>or<br>2) After setting EMEX = 1, wait for a sufficient amount of time before Flash is accessed again.<br>or<br>3) No Workaround. Do not use EEIEX bit.  |



|                    |  |
|--------------------|--|
| <b>FLASH27</b>     | <b><i>FLASH Module</i></b>   |
| <b>Category</b>    | Functional   |
| <b>Function</b>    | EEl feature can disrupt segment erase  |
| <b>Description</b> | <p>When a flash segment erase operation is active with EEl feature selected (EEI=1 in FLCTL1) and GIE=0, the following can occur:</p> <p>An interrupt event causes the flash erase to be stopped, and the flash controller expects an RETI to resume the erase. Because GIE=0, interrupts are not serviced and RETI will never happen.</p>                                       |
| <b>Workaround</b>  | <p>1) Do not set bit EEI=1 when GIE = 0.<br/>or,<br/>2) Force an RETI instruction during the erase operation during the check for BUSY=1 (FCTL3).</p> <p>Sample code:</p> <pre>MOV R5, 0(R5) ; Dummy write, erase segment LOOP: BIT #BUSY, &amp;FCTL3 ; test busy bit JMP SUB_RETI ; Force RETI instruction JNZ LOOP ; loop while BUSY=1</pre> <pre>SUB_RETI: PUSH SR RETI</pre> |
| <b>FLL3</b>        | <b><i>FLL Module</i></b>   |
| <b>Category</b>    | Functional   |
| <b>Function</b>    | FLLDx = 11 for /8 may generate an unstable MCLK frequency  |
| <b>Description</b> | When setting the FLL to higher frequencies using FLLDx = 11 (/8) the output frequency of the FLL may have a larger frequency variation (e.g. averaged over 2sec) as well as a lower average output frequency than expected when compared to the other FLLDx bit settings.  |
| <b>Workaround</b>  | None   |
| <b>FLL8</b>        | <b><i>FLL Module</i></b>   |
| <b>Category</b>    | Functional   |
| <b>Function</b>    | Low frequency oscillator fault detection not functional  |
| <b>Description</b> | When external digital clock source is selected for LFXT1 (bit LFXT1DIG=1 in register FLL_CTL1), oscillator faults may not be detected and the LFOF bit(in register FLL_CTL0)will not be set. User must ensure that an oscillator fault does not occur when external digital clock source is used in low-frequency mode.  |
| <b>Workaround</b>  | None.  |
| <b>JTAG23</b>      | <b><i>JTAG Module</i></b>  |
| <b>Category</b>    | Debug  |

|                    |   |
|--------------------|---|
| <b>Function</b>    | PSA checksum calculation does not work in marginal read mode.   |
| <b>Description</b> | If the PSA checksum is calculated via JTAG interface in marginal read mode the MRG0 and MRG1 bits in the FCTL4 register are reset.  |
| <b>Workaround</b>  | None.   |
| <b>LCDA5</b>       | <b><i>LCDA Module</i></b>   |
| <b>Category</b>    | Functional  |
| <b>Function</b>    | Wrong cycle time for first cycle of COMx/Sx signals   |
| <b>Description</b> | The time of the first cycle of COMx/Sx signals after enabling the LCD_A module is only half of the selected value. All following cycles are correct   |
| <b>Workaround</b>  | Not required, because it does not influence the LCD function.   |
| <b>LCDA6</b>       | <b><i>LCDA Module</i></b>   |
| <b>Category</b>    | Functional  |
| <b>Function</b>    | Internal charge pump not functional in static mode  |
| <b>Description</b> | When LCD_A module is configured in static mode (bits LCDMXx = 00b in LCDACTL), the internal charge pump (bit LCDCPEN=1 in LCDAVCTL0 register) is not functional. However, the charge pump is functional in 2-mux, 3-mux and 4-mux modes.  |
| <b>Workaround</b>  | For static mode operation of the LCD_A, do not enable charge pump; instead, source LCD voltage externally (bit VLCDEXT=1 in register LCDAVCTL0) at pin LCDCAP.  |
| <b>LCDA7</b>       | <b><i>LCDA Module</i></b>   |
| <b>Category</b>    | Functional  |
| <b>Function</b>    | Higher current consumption when using shared LCD ports as fast toggling outputs   |
| <b>Description</b> | If a shared LCD pin (segment or com line) is used as digital fast toggling output (f>10kHz) and the VLCD is >0V (BG enabled) the device current consumption increases with higher toggling frequencies.   |
| <b>Workaround</b>  | <ol style="list-style-type: none"> <li>1. Do not use shared LCD pins as fast toggling outputs if an LCD is used.</li> <li>2. Reduce the toggle frequency of the shared pin to &lt;10kHz.</li> </ol>   |
| <b>TA12</b>        | <b><i>TA Module</i></b>   |
| <b>Category</b>    | Functional  |
| <b>Function</b>    | Interrupt is lost (slow ACLK)   |
| <b>Description</b> | Timer_A counter is running with slow clock (external TACLK or ACLK) compared to MCLK. The compare mode is selected for the capture/compare channel and the CCRx register is incremented by one with the occurring compare interrupt (if TAR = CCRx). Due to the fast MCLK the CCRx register increment (CCRx = CCRx+1) happens before the Timer_A counter has incremented again. Therefore the next compare interrupt should happen at once with the next Timer_A counter increment (if TAR = CCRx + 1). This interrupt gets lost. |

**Workaround** Switch capture/compare mode to capture mode before the CCRx register increment. Switch back to compare mode afterwards.

**TA16** *TA Module*

**Category** Functional

**Function** First increment of TAR erroneous when IDx > 00

**Description** The first increment of TAR after any timer clear event (POR/TACLr) happens immediately following the first positive edge of the selected clock source (INCLK, SMCLK, ACLK or TACLK). This is independent of the clock input divider settings (ID0, ID1). All following TAR increments are performed correctly with the selected IDx settings.

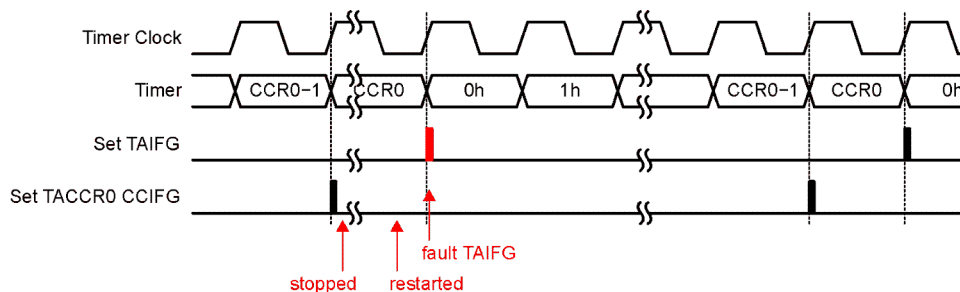
**Workaround** None

**TA21** *TA Module*

**Category** Functional

**Function** TAIFG Flag is erroneously set after Timer A restarts in Up Mode

**Description** In Up Mode, the TAIFG flag should only be set when the timer counts from TACCR0 to zero. However, if the Timer A is stopped at TAR = TACCR0, then cleared (TAR=0) by setting the TACLr bit, and finally restarted in Up Mode, the next rising edge of the TACLK will erroneously set the TAIFG flag.



**Workaround** None.

**TAB22** *TAB Module*

**Category** Functional

**Function** Timer\_A/Timer\_B register modification after Watchdog Timer PUC

**Description** Unwanted modification of the Timer\_A/Timer\_B registers TACTL/TBCTL and TAIV/TBIV can occur when a PUC is generated by the Watchdog Timer(WDT) in Watchdog mode and any Timer\_A/Timer\_B counter register TACCRx/TBCCRx is incremented/ decremented (Timer\_A/Timer\_B does not need to be running).

**Workaround** Initialize TACTL/TBCTL register after the reset occurs using a MOV instruction (BIS/BIC may not fully initialize the register). TAIV/TBIV is automatically cleared following this initialization.

Example code:

```
MOV.W #VAL, &TACTL
or
```

**MOV.W #VAL, &TBCTL**

Where, VAL=0, if Timer is not used in application otherwise, user defined per desired function.

**TB2**
**TB Module**
**Category**

Functional

**Function**

Interrupt is lost (slow ACLK)

**Description**

Timer\_B counter is running with slow clock (external TBCLK or ACLK) compared to MCLK. The compare mode is selected for the capture/compare channel and the CCRx register is incremented by 1 with the occurring compare interrupt (if TBR = CCRx). Due to the fast MCLK, the CCRx register increment ( $CCR_x = CCR_x + 1$ ) happens before the Timer\_B counter has incremented again. Therefore, the next compare interrupt should happen at once with the next Timer\_B counter increment (if  $TBR = CCR_x + 1$ ). This interrupt is lost.

**Workaround**

Switch capture/compare mode to capture mode before the CCRx register increment. Switch back to compare mode afterward.

**TB16**
**TB Module**
**Category**

Functional

**Function**

 First increment of TBR erroneous when  $ID_x > 00$ 
**Description**

The first increment of TBR after any timer clear event (POR/TBCLR) happens immediately following the first positive edge of the selected clock source (INCLK, SMCLK, ACLK, or TBCLK). This is independent of the clock input divider settings (ID0, ID1). All following TBR increments are performed correctly with the selected IDx settings.

**Workaround**

None

**TB24**
**TB Module**
**Category**

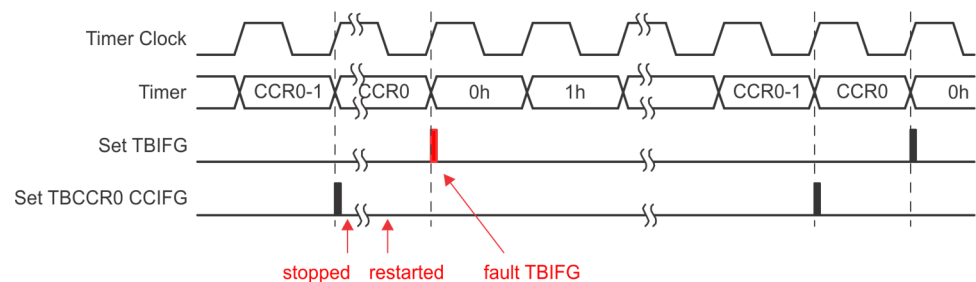
Functional

**Function**

TBIFG Flag is erroneously set after Timer B restarts in Up Mode

**Description**

In Up Mode, the TBIFG flag should only be set when the timer resets from TBCCR0 to zero. However, if the Timer B is stopped at  $TBR = TBCCR0$ , then cleared ( $TBR=0$ ) by setting the TBCLR bit, and finally restarted in Up Mode, the next rising edge of the TBCLK will erroneously set the TBIFG flag.


**Workaround**

None.

| <b>USCI20</b>      | <b><i>USCI Module</i></b>   |
|--------------------|---|
| <b>Category</b>    | Functional  |
| <b>Function</b>    | I2C Mode Multi-master transmitter issue   |
| <b>Description</b> | <p>When configured for I2C master-transmitter mode, and used in a multi-master environment, the USCI module can cause unpredictable bus behavior if all of the following four conditions are true:</p> <ul style="list-style-type: none"> <li>1 - Two masters are generating SCL</li> <li>And</li> <li>2 - The slave is stretching the SCL low phase of an ACK period while outputting NACK on SDA</li> <li>And</li> <li>3 - The slave drives ACK on SDA after the USCI has already released SCL, and then the SCL bus line gets released</li> <li>And</li> <li>4 - The transmit buffer has not been loaded before the other master continues communication by driving SCL low</li> </ul> <p>The USCI will remain in the SCL high phase until the transmit buffer is written. After the transmit buffer has been written, the USCI will interfere with the current bus activity and may cause unpredictable bus behavior.</p> |
| <b>Workaround</b>  | <ul style="list-style-type: none"> <li>1 - Ensure that slave doesn't stretch the SCL low phase of an ACK period</li> <li>Or</li> <li>2 - Ensure that the transmit buffer is loaded in time</li> <li>Or</li> <li>3 - Do not use the multi-master transmitter mode</li> </ul>   |

| <b>USCI21</b>      | <b><i>USCI Module</i></b>  |
|--------------------|--|
| <b>Category</b>    | Functional   |
| <b>Function</b>    | UART IrDA receive filter   |
| <b>Description</b> | <p>The IrDA receive filter can be used to filter pulses with length UCAIRRXFL configured in UCAXIRRCTL register. If UCIRRXFE is set the IrDA receive decoder may filter out pulses longer than the configured filter length depending on frequency of BRCLK. This is resulting in framing errors or corrupted data on the receiver side.</p> |
| <b>Workaround</b>  | <p>Depending on the used baud rate and the configured filter length a maximum frequency for BRCLK needs to be set to avoid this issue:</p> <p>For baud rates equal and higher than 115.000 the maximum allowed BRCLK frequency is equal to the max specified system frequency.</p>   |

$$\text{Max BRCLK} = \frac{\text{Filter Length} + 64}{2} \times \frac{\text{Baud Rate} \times 16}{3 \times 10^6}$$

| Baud Rate | Filter Length<br>UCIRRXFL (dec) | Max BRCLK (MHz) |
|-----------|---------------------------------|-----------------|
| 9600      | 64                              | 3.28            |
|           | 32                              | 2.46            |
|           | 16                              | 2.05            |
|           | 8                               | 1.84            |
|           | 4                               | 1.74            |
|           | 2                               | 1.69            |
|           | 1                               | 1.66            |
|           | 0                               | 1.64            |
| 19200     | 64                              | 6.55            |
|           | 32                              | 4.92            |
|           | 16                              | 4.1             |
|           | 8                               | 3.69            |
|           | 4                               | 3.48            |
|           | 2                               | 3.38            |
|           | 1                               | 3.33            |
|           | 0                               | 3.28            |
| 38400     | 64                              | 13.11           |
|           | 32                              | 9.83            |
|           | 16                              | 8.19            |
|           | 8                               | 7.37            |
|           | 4                               | 6.96            |
|           | 2                               | 6.76            |
|           | 1                               | 6.66            |
|           | 0                               | 6.55            |
| 56000     | 64                              | 19.11           |
|           | 32                              | 14.34           |
|           | 16                              | 11.95           |
|           | 8                               | 10.75           |
|           | 4                               | 10.15           |
|           | 2                               | 9.86            |
|           | 1                               | 9.71            |
|           | 0                               | 9.56            |

**USCI22*****USCI Module*****Category**

Functional

**Function**

I2C Master Receiver with 10-bit slave addressing

**Description**

Unexpected behavior of the USCI\_B can occur when configured in I2C master receive mode with 10-bit slave addressing under the following conditions:

- 1) The USCI sends first byte of slave address, the slave sends an ACK and when second address byte is sent, the slave sends a NACK.
- 2) Master sends a repeat start condition (If UCTXSTT=1).
- 3) The first address byte following the repeated start is acknowledged.

However, the second address byte is not sent, instead the Master incorrectly starts to receive data and sets UCBxRXIFG=1.

**Workaround**

Do not use repeated start condition instead set the stop condition UCTXSTP=1 in the NACK ISR prior to the following start condition (USTXSTT=1).

**USCI23*****USCI Module*****Category**

Functional

**Function**

UART transmit mode with automatic baud rate detection

|                    |  |
|--------------------|--|
| <b>Description</b> | Erroneous behavior of the USCI_A can occur when configured in UART transmit mode with automatic baud rate detection. During transmission if a "Transmit break" is initiated (UCTXBRK=1), the USCI_A will not deliver a stop bit of logic high, instead, it will send a logic low during the subsequent synch period. |
| <b>Workaround</b>  | 1) Follow User's Guide instructions for transmitting a break/synch field following UCSWRST=1.<br>Or,<br>2) Set UCTXBRK=1 before an active transmission, i.e. check for bit UCBUSY=0 and then set UCTXBRK=1.  |

**USCI24** *USCI Module*

---

|                    |  |
|--------------------|--|
| <b>Category</b>    | Functional   |
| <b>Function</b>    | Incorrect baud rate information during UART automatic baud rate detection mode   |
| <b>Description</b> | Erroneous behavior of the USCI_A can occur when configured in UART mode with automatic baud rate detection. After automatic baud rate measurement is complete, the UART updates UCAXBR0 and UCAXBR1. Under Oversampling mode (UCOS16=1), for baud rates that should result in UCAXBRx=0x0002, the UART incorrectly reports it as UCAXBRx=0x5555. |
| <b>Workaround</b>  | When break/synch is detected following the automatic baud rate detection, the flag UCBRK flag is set to 1. Check if UCAXBRx=0x5555 and correct it to 0x0002.   |

**USCI25** *USCI Module*

---

|                    |  |
|--------------------|--|
| <b>Category</b>    | Functional   |
| <b>Function</b>    | TXIFG is not reset when NACK is received in I2C mode   |
| <b>Description</b> | When the USCI_B module is configured as an I2C master transmitter the TXIFG is not reset after a NACK is received if the master is configured to send a restart (UCTXSTT=1 & UCTXSTP=0). |
| <b>Workaround</b>  | Reset TXIFG in software within the NACKIFG interrupt service routine   |

**USCI26** *USCI Module*

---

|                    |   |
|--------------------|---|
| <b>Category</b>    | Functional  |
| <b>Function</b>    | Tbuf parameter violation in I2C multi-master mode   |
| <b>Description</b> | In multi-master I2C systems the timing parameter Tbuf (bus free time between a stop condition and the following start) is not guaranteed to match the I2C specification of 4.7us in standard mode and 1.3us in fast mode. If the UCTXSTT bit is set during a running I2C transaction, the USCI module waits and issues the start condition on bus release causing the violation to occur.<br>Note: It is recommended to check if UCBBUSY bit is cleared before setting UCTXSTT=1. |
| <b>Workaround</b>  | None  |

**USCI28** *USCI Module*

---

|                 |            |
|-----------------|------------|
| <b>Category</b> | Functional |
|-----------------|------------|

|                    |   |
|--------------------|---|
| <b>Function</b>    | Timing of USCI I2C interrupts may cause device reset due to automatic clear of an IFG.  |
| <b>Description</b> | <p>When certain USCI I2C interrupt flags (IFG) are set and an automatic flag-clearing event on the I2C bus occurs, it results in an errant ISR call to the reset vector. This will only happen when the IFG is cleared within a critical time window (~6 CPU clock cycles) after a USCI interrupt request occurs and before the interrupt servicing is initiated. The affected interrupts are UCBxTXIFG, UCSTPIFG, UCSTTIFG and UCNACKIFG.</p> <p>The automatic flag-clearing scenarios are described in the following situations:</p> <p>(1) A pending UCBxTXIFG interrupt request is cleared on the falling SCL clock edge following a NACK.</p> <p>(2) A pending UCSTPIFG, UCSTTIFG, or UCNACKIFG interrupt request is cleared by a following Start condition.</p>   |
| <b>Workaround</b>  | <p>(1) Polling the affected flags instead of enabling the interrupts.<br/>or</p> <p>(2) Ensuring the above mentioned flag-clearing events occur after a time delay of 6 CPU clock cycles has elapsed since the interrupt request occurred and was accepted.<br/>or</p> <p>(3) At program start, check any applicable enabled IE bits such as UCBxTXIE, UCBxRXIE, UCSTTIE, UCSTPIE or UCNACKIE for a reset (A PUC will clear all of the IE bits of interest). If no PUC occurred then the device ran into the above mentioned errant condition and the program counter will need to be restored using an RETI instruction.</p> <p>; ----- Workaround (3) example for TXIFG -----<br/>Note: For assembly code use code snippet shown below and insert prior to user code</p> <pre>main bit.b #UCBxTXIE ,&amp;IE2 ; if TXIE is set, errant call occurred jz start_normal ; if not start main program reti ; else return from interrupt call start_normal ... ; Application code continues</pre> <p>Note: For C code the workaround will need to be executed prior to the CSTARTUP routine. The steps for modifying the CSTARTUP routine are IDE dependent. Examples for Code Composer and IAR Embedded Workbench are shown below.</p> <p>IAR Embedded Workbench:</p> <ol style="list-style-type: none"> <li>1) The file cstartup.s43 is found at: ...\\IAR Systems\\&lt; Current Embedded Workbench Version &gt;\\430\\src\\lib\\430</li> <li>2) Create a local copy of this file and link it to the project. Do not rename the file.</li> <li>3) In the copy insert the following code prior to stack pointer initialization as shown:</li> </ol> <pre>#define IE2 (0x0001) BIT.B #0x08,&amp;IE2 ; if TXIE is set, errant call occurred JZ Start_Normal ; if not start main program RETI ; else return from interrupt call // Initialize SP to point to the top of the stack. Start_Normal MOV #SFE(CSTACK), SP // Ensure that main is called.</pre> <p>Code Composer:</p> <ol style="list-style-type: none"> <li>1) The file boot.c is found at ...\\Texas Instruments\\&lt; Current Code Composer Version &gt;</li> </ol> |



- \tools\compiler\MSP430\lib\rtssrc.zip  
 2) Extract the file from rtssrc.zip and create a local copy. Link the copy to the project. Do not rename this file.  
 3) In the copy insert the following code prior to stack pointer initialization as shown:

```
__asm("\t BIT.B\t #0x08,&0x0001"); // if TXIE is set, errant call occurred
__asm("\t JZ\t Start_Normal"); // if not start main program
__asm("\t RETI"); // else return from interrupt call
__asm("Start_Normal");

/*----- */
/* Initialize stack pointer. Stack grows toward lower memory. */
/*----- */
```

Insert the code here:

```
/*----- */
/* C_INT00() - C ENVIRONMENT ENTRY POINT */
/*----- */
#pragma CLINK(_c_int00)
extern void __interrupt _c_int00()
{
//
STACK_INIT();
```

**USCI30**

***USCI Module***

**Category**

Functional

**Function**

I2C mode master receiver / slave receiver

**Description**

When the USCI I2C module is configured as a receiver (master or slave), it performs a double-buffered receive operation. In a transaction of two bytes, once the first byte is moved from the receive shift register to the receive buffer the byte is acknowledged and the state machine allows the reception of the next byte.

If the receive buffer has not been cleared of its contents by reading the UCBxRXBUF register while the 7th bit of the following data byte is being received, an error condition may occur on the I2C bus. Depending on the USCI configuration the following may occur:

- 1) If the USCI is configured as an I2C master receiver, an unintentional repeated start condition can be triggered or the master switches into an idle state (I2C communication aborted). The reception of the current data byte is not successful in this case.
- 2) If the USCI is configured as I2C slave receiver, the slave can switch to an idle state stalling I2C communication. The reception of the current data byte is not successful in this case. The USCI I2C state machine will notify the master of the aborted reception with a NACK.

Note that the error condition described above occurs only within a limited window of the 7th bit of the current byte being received. If the receive buffer is read outside of this window (before or after), then the error condition will not occur.

**Workaround**

- a) The error condition can be avoided altogether by servicing the UCBxRXIFG in a timely manner. This can be done by (a) servicing the interrupt and ensuring UCBxRXBUF is read promptly or (b) Using the DMA to automatically read bytes from receive buffer upon

UCBxRXIFG being set.

OR

b) In case the receive buffer cannot be read out in time, test the I2C clock line before the UCBxRXBUF is read out to ensure that the critical window has elapsed. This is done by checking if the clock line low status indicator bit UCSCLLOW is set for atleast three USCI bit clock cycles i.e.  $3 \times t(\text{BitClock})$ .

Note that the last byte of the transaction must be read directly from UCBxRXBUF. For all other bytes follow the workaround:

Code flow for workaround

- (1) Enter RX ISR for reading receiving bytes
- (2) Check if UCSCLLOW.UCBxSTAT == 1
- (3) If no, repeat step 2 until set
- (4) If yes, repeat step 2 for a time period  $> 3 \times t(\text{BitClock})$  where  $t(\text{BitClock}) = 1/f(\text{BitClock})$
- (5) If window of  $3 \times t(\text{BitClock})$  cycles has elapsed, it is safe to read UCBxRXBUF

## USCI34

### USCI Module

---

#### Category

Functional

#### Function

I2C multi-master transmit may lose first few bytes.

#### Description

In an I2C multi-master system (UCMM =1), under the following conditions:

- (1)the master is configured as a transmitter (UCTR =1)

AND

- (2)the start bit is set (UCTXSTT =1);

if the I2C bus is unavailable, then the USCI module enters an idle state where it waits and checks for bus release. While in the idle state it is possible that the USCI master updates its TXIFG based on clock line activity due to other master/slave communication on the bus. The data byte(s) loaded in TXBUF while in idle state are lost and transmit pointers initialized by the user in the transmit ISR are updated incorrectly.

#### Workaround

Verify that the START condition has been sent (UCTXSTT =0) before loading TXBUF with data.

Example:

```
#pragma vector = USCIAB0TX_VECTOR
__interrupt void USCIAB0TX_ISR(void)
{
// Workaround for USCI34
if(UCB0CTL1&UCTXSTT)
{
// TXData = pointer to the transmit buffer start
// PTxData = pointer to transmit in the ISR
PTxData = TXData; // restore the transmit buffer pointer if the Start bit is set
}
//
if(IFG2&UCB0TXIFG)
```

```

{
if (PTxData <= PTxDataEnd) // Check TX byte counter
{
UCB0TXBUF = *PTxData++; // Load TX buffer
}
else
{
UCB0CTL1 |= UCTXSTP; // I2C stop condition
IFG2 &= ~UCB0TXIFG; // Clear USCI_B0 TX int flag
__bic_SR_register_on_exit(CPUOFF); // Exit LPM0
}
}
}

```

## USCI35

### **USCI Module**

---

#### Category

Functional

#### Function

Violation of setup and hold times for (repeated) start in I2C master mode

#### Description

In I2C master mode, the setup and hold times for a (repeated) START,  $t_{SU,STA}$  and  $t_{HD,STA}$  respectively, can be violated if SCL clock frequency is greater than 50kHz in standard mode (100kbps). As a result, a slave can receive incorrect data or the I2C bus can be stalled due to clock stretching by the slave.

#### Workaround

If using repeated start, ensure SCL clock frequencies is < 50kHz in I2C standard mode (100 kbps).

## USCI40

### **USCI Module**

---

#### Category

Functional

#### Function

SPI Slave Transmit with clock phase select = 1

#### Description

In SPI slave mode with clock phase select set to 1 (UCAxCTLW0.UCCKPH=1), after the first TX byte, all following bytes are shifted by one bit with shift direction dependent on UCMSB. This is due to the internal shift register getting pre-loaded asynchronously when writing to the USCIA TXBUF register. TX data in the internal buffer is shifted by one bit after the RX data is received.

#### Workaround

Reinitialize TXBUF before using SPI and after each transmission.  
If transmit data needs to be repeated with the next transmission, then write back previously read value:

```
UCAxTXBUF = UCAxTXBUF;
```

## XOSC5

### **XOSC Module**

---

#### Category

Functional

#### Function

LF crystal failures may not be properly detected by the oscillator fault circuitry

#### Description

The oscillator fault error detection of the LFXT1 oscillator in low frequency mode (XTS = 0) may not work reliably causing a failing crystal to go undetected by the CPU, i.e. OFIFG will not be set.

|                    |  |
|--------------------|--|
| <b>Workaround</b>  | None   |
| <b>XOSC8</b>       | <b><i>XOSC Module</i></b>  |
| <b>Category</b>    | Functional   |
| <b>Function</b>    | ACLK failure when crystal ESR is below 40 kOhm.  |
| <b>Description</b> | When ACLK is sourced by a low frequency crystal with an ESR below 40 kOhm, the duty cycle of ACLK may fall below the specification; the OFIFG may become set or in some instances, ACLK may stop completely. |
| <b>Workaround</b>  | Please refer to "XOSC8 Guidance" found at <a href="#">SLAA423</a> for information regarding working with this erratum.   |
| <b>XOSC9</b>       | <b><i>XOSC Module</i></b>  |
| <b>Category</b>    | Functional   |
| <b>Function</b>    | XT1 Oscillator may not function as expected in HF mode   |
| <b>Description</b> | XT1 oscillator does not work correctly in high frequency mode at supply voltages below 2.0V with crystal frequency > 4MHz.   |
| <b>Workaround</b>  | None. When XT1 oscillator is used in HF mode with crystal frequency > 4MHz ensure a supply voltage > 2.2V.   |

## 7 Revision History

NOTE: Page numbers for previous revisions may differ from page numbers in the current version.

### Changes from October 9, 2019 to May 11, 2021

**Page**

- Changed the document format and structure; updated the numbering format for tables, figures, and cross references throughout the document.....6

## IMPORTANT NOTICE AND DISCLAIMER

TI PROVIDES TECHNICAL AND RELIABILITY DATA (INCLUDING DATA SHEETS), DESIGN RESOURCES (INCLUDING REFERENCE DESIGNS), APPLICATION OR OTHER DESIGN ADVICE, WEB TOOLS, SAFETY INFORMATION, AND OTHER RESOURCES "AS IS" AND WITH ALL FAULTS, AND DISCLAIMS ALL WARRANTIES, EXPRESS AND IMPLIED, INCLUDING WITHOUT LIMITATION ANY IMPLIED WARRANTIES OF MERCHANTABILITY, FITNESS FOR A PARTICULAR PURPOSE OR NON-INFRINGEMENT OF THIRD PARTY INTELLECTUAL PROPERTY RIGHTS.

These resources are intended for skilled developers designing with TI products. You are solely responsible for (1) selecting the appropriate TI products for your application, (2) designing, validating and testing your application, and (3) ensuring your application meets applicable standards, and any other safety, security, regulatory or other requirements.

These resources are subject to change without notice. TI grants you permission to use these resources only for development of an application that uses the TI products described in the resource. Other reproduction and display of these resources is prohibited. No license is granted to any other TI intellectual property right or to any third party intellectual property right. TI disclaims responsibility for, and you will fully indemnify TI and its representatives against, any claims, damages, costs, losses, and liabilities arising out of your use of these resources.

TI's products are provided subject to [TI's Terms of Sale](#) or other applicable terms available either on [ti.com](http://ti.com) or provided in conjunction with such TI products. TI's provision of these resources does not expand or otherwise alter TI's applicable warranties or warranty disclaimers for TI products.

TI objects to and rejects any additional or different terms you may have proposed.

Mailing Address: Texas Instruments, Post Office Box 655303, Dallas, Texas 75265  
Copyright © 2022, Texas Instruments Incorporated