

# TUSB1044 USB TYPE-C™ 10Gbps Multi-Protocol Bidirectional Linear Redriver

## 1 Features

- Protocol agnostic reversible 4 channel linear redriver supporting up to 10Gbps
  - USB Type-C with USB 3.1 Gen 2 and DisplayPort 2.1 as alternate mode
- Supports processors with USB 3.1 and DisplayPort mux integrated for Type-C applications
- Supports signal conditioning inside Type-C cable
- Cross-point mux for SBU signals
- Linear equalization up to 11dB at 4.05GHz
- GPIO and I<sup>2</sup>C control for channel direction and equalization
- Advanced power management by monitoring USB power states and snooping DP link training
- Configuration through GPIO or I<sup>2</sup>C
- Hot-plug capable
- Single 3.3V supply
- Industrial temperature: –40°C to 85°C (TUSB1044I)
- Commercial temperature: 0°C to 70°C (TUSB1044)
- 4mm × 6mm, 0.4mm Pitch, 40-pin QFN package

## 2 Applications

- Tablets
- Notebooks
- Desktops
- Docking stations

## 3 Description

The TUSB1044 is a USB Type-C Alt Mode redriver switch supporting data rates up to 10Gbps. This protocol-agnostic linear redriver is capable of supporting USB Type-C Alt Mode interfaces including DisplayPort.

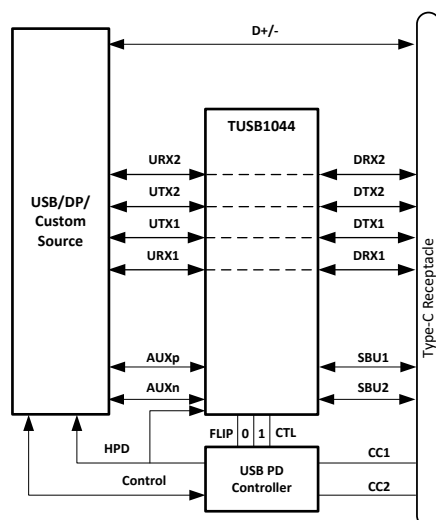
The TUSB1044 provides several levels of receive linear equalization to compensate for inter-symbol interference (ISI) due to cable and board trace loss. Operates on a single 3.3V supply and comes in a commercial and industrial temperature range.

All four lanes of the TUSB1044 are reversible making it a versatile signal conditioner that can be used in many applications.

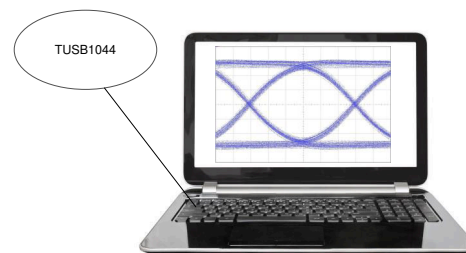
### Package Information<sup>(1)</sup>

PART NUMBER	PACKAGE	PACKAGE SIZE <sup>(2)</sup>
TUSB1044	RNQ (WQFN, 40)	6mm × 4mm
TUSB1044I	RNQ (WQFN, 40)	6mm × 4mm

- (1) For all available packages, see the orderable addendum at the end of the data sheet.
- (2) The package size (length × width) is a nominal value and includes pins, where applicable.



**Simplified Schematic**



## Table of Contents

<b>1 Features</b> .....	1	6.5 Programming.....	35
<b>2 Applications</b> .....	1	6.6 Register Maps.....	37
<b>3 Description</b> .....	1	<b>7 Application and Implementation</b> .....	46
<b>4 Pin Configuration and Functions</b> .....	3	7.1 Application Information.....	46
<b>5 Specifications</b> .....	6	7.2 Typical Application.....	46
5.1 Absolute Maximum Ratings.....	6	7.3 System Examples.....	50
5.2 ESD Ratings.....	6	7.4 Power Supply Recommendations.....	56
5.3 Recommended Operating Conditions.....	6	7.5 Layout.....	57
5.4 Thermal Information.....	6	<b>8 Device and Documentation Support</b> .....	59
5.5 Electrical Characteristics.....	7	8.1 Documentation Support.....	59
5.6 Switching Characteristics.....	10	8.2 Receiving Notification of Documentation Updates...59	
5.7 Timing Requirements.....	10	8.3 Support Resources.....	59
5.8 Typical Characteristics.....	15	8.4 Trademarks.....	59
<b>6 Detailed Description</b> .....	19	8.5 Electrostatic Discharge Caution.....	59
6.1 Overview.....	19	8.6 Glossary.....	59
6.2 Functional Block Diagram.....	20	<b>9 Revision History</b> .....	59
6.3 Feature Description.....	21	<b>10 Mechanical, Packaging, and Orderable Information</b> .....	60
6.4 Device Functional Modes.....	22		

## 4 Pin Configuration and Functions

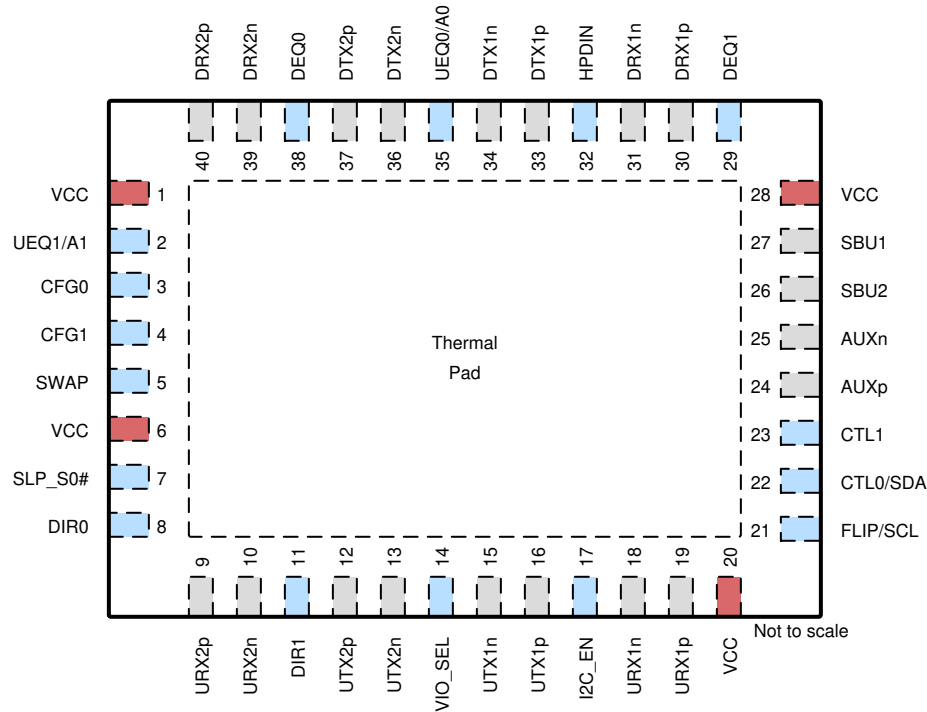


Figure 4-1. RNQ Package 40-Pin (WQFN) Top View

### Pin Functions

PIN		I/O	DESCRIPTION
NO.	NAME		
1	VCC	P	3.3 V Power Supply
2	UEQ1/A1	4 Level I	This pin along with UEQ0 sets the high-frequency equalizer gain for upstream facing URX1, URX2, UTX1, UTX2 receivers. In I2C Mode, this pin will also set TUSB1044 I2C address. Refer to <a href="#">Table 6-9</a> .
3	CFG0	4 Level I	CFG0. This pin along with CFG1 will select VOD linearity range and DC gain for all the downstream and upstream channels. Refer to <a href="#">Table 6-8</a> for VOD linearity range and DC gain options.
4	CFG1	4 Level I	CFG1. This pin along with CFG0 will set VOD linearity range and DC gain for all the downstream and upstream channels. Refer to <a href="#">Table 6-8</a> for VOD linearity range and DC gain options.
5	SWAP	2 Level I (PD)	This pin swaps all the channel directions and EQ settings of downstream facing and upstream facing data path inputs. 0 – Do not swap channel directions and EQ settings (Default) 1 – Swap channel directions and EQ settings.
6	VCC	P	3.3V Power Supply
7	SLP_S0#	2 Level I (PD)	This pin when asserted low will disable Receiver Detect functionality. While this pin is low and TUSB1044 is in U2/U3, TUSB1044 will disable LOS and LFPS detection circuitry and RX termination for both channels will remain enabled. If this pin is low and TTUSB1044 is in Disconnect state, the RX detect functionality will be disabled and RX termination for both channels will be disabled. 0 – RX Detect disabled 1 – RX Detect enabled (Default)
8	DIR0	2 Level I (PD)	This pin along with DIR1 sets the data path signal direction format. Refer to <a href="#">Table 6-4</a> for signal direction formats. 0 - Source Side (DFP) Alt Mode format 1 - Sink Side (UFP) Alt Mode format
9	URX2p	Diff I/O	Differential positive input/output for upstream facing RX2 port.
10	URX2n	Diff I/O	Differential negative input/output for upstream facing RX2 port.
11	DIR1	2 Level I/O (PD)	This pin along with DIR0 sets the data path signal direction format. Refer to <a href="#">Table 6-4</a> for signal direction formats. 0 - DisplayPort Alt Mode format 1 - Custom Alt Mode format
12	UTX2p	Diff I/O	Differential positive input/output for upstream facing TX2 port.

## Pin Functions (continued)

PIN		I/O	DESCRIPTION
NO.	NAME		
13	UTX2n	Diff I/O	Differential negative input/output for upstream facing TX2 port.
14	VIO_SEL	4 Level I/O	This pin selects I/O voltage levels for the 2-level GPIO configuration pins and the I2C interface: 0 = 3.3-V configuration I/O voltage, 3.3-V I <sup>2</sup> C interface (Default) R = 3.3-V configuration I/O voltage, 1.8-V I <sup>2</sup> C interface F = 1.8-V configuration I/O voltage, 3.3-V I <sup>2</sup> C interface 1 = 1.8-V configuration I/O voltage, 1.8-V I <sup>2</sup> C interface.
15	UTX1n	Diff I/O	Differential negative input/output for upstream facing TX1 port.
16	UTX1p	Diff I/O	Differential positive input/output for upstream facing TX1 port.
17	I2C_EN	4 Level I	I2C Programming or Pin Strap Programming Select. 0 = GPIO Mode, AUX Snoop Enabled (I <sup>2</sup> C disabled) R = TI Test Mode (I <sup>2</sup> C enabled) F = GPIO Mode, AUX Snoop Disabled (I <sup>2</sup> C disabled) 1 = I2C enabled.
18	URX1n	Diff I/O	Differential negative input/output for upstream facing RX1 port.
19	URX1p	Diff I/O	Differential positive input/output for upstream facing RX1 port.
20	VCC	P	3.3V Power Supply
21	FLIP/SCL	2 Level I (PD) (Failsafe)	In GPIO mode, this is Flip control pin, otherwise this pin is I <sup>2</sup> C clock.
22	CTL0/SDA	2 Level I (PD) (Failsafe)	In GPIO mode, this is a USB3.1 Switch control pin, otherwise this pin is I <sup>2</sup> C data.
23	CTL1	2 Level I (PD)	DP Alt mode Switch Control Pin. In GPIO mode, this pin will enable or disable DisplayPort functionality. Otherwise DisplayPort functionality is enabled and disabled through I2C registers. L = DisplayPort Disabled. H = DisplayPort Enabled. In I2C Mode, this pin is not used by TUSB1044.
24	AUXp	I/O, CMOS	AUXp. DisplayPort AUX positive I/O connected to the DisplayPort source or sink through an AC coupling capacitor. In addition to AC coupling capacitor, this pin also requires a 100-kΩ resistor to GND between the AC coupling capacitor and the AUXp pin if the TUSB1044 is used on the DisplayPort source side, or a 1-MΩ resistor to DP_PWR (3.3V) between the AC coupling capacitor and the AUXp pin if TUSB1044 is used on the DisplayPort sink side. This pin along with AUXn is used by the TUSB1044 for AUX snooping and is routed to SBU1/2 based on the orientation of the Type-C plug.
25	AUXn	I/O, CMOS	AUXn. DisplayPort AUX I/O connected to the DisplayPort source or sink through an AC coupling capacitor. In addition to AC coupling capacitor, this pin also requires a 100-kΩ resistor to DP_PWR (3.3V) between the AC coupling capacitor and the AUXn pin if the TUSB1044 is used on the DisplayPort source side, or a 1-MΩ resistor to GND between the AC coupling capacitor and the AUXn pin if TUSB1044 is used on the DisplayPort sink side. This pin along with AUXp is used by the TUSB1044 for AUX snooping and is routed to SBU1/2 based on the orientation of the Type-C plug.
26	SBU2	I/O, CMOS	SBU2. When the TUSB1044 is used on the DisplayPort source side, this pin should be DC coupled to the SBU2 pin of the Type-C receptacle. When the TUSB1044 is used on the DisplayPort sink side, this pin should be DC coupled to the SBU1 pin of the Type-C receptacle. A 2-MΩ resistor to GND is also recommended.
27	SBU1	I/O, CMOS	SBU1. When the TUSB1044 is used on the DisplayPort source side, this pin should be DC coupled to the SBU1 pin of the Type-C receptacle. When the TUSB1044 is used on the DisplayPort sink side, this pin should be DC coupled to the SBU2 pin of the Type-C receptacle. A 2-MΩ resistor to GND is also recommended.
28	VCC	P	3.3V Power Supply
29	DEQ1	4 Level I	This pin along with DEQ0 sets the high-frequency equalizer gain for downstream facing DRX1, DRX2, DTX1, DTX2 receivers.
30	DRX1p	Diff I/O	Differential positive input/output for downstream facing RX1 port.
31	DRX1n	Diff I/O	Differential negative input/output for downstream facing RX1 port.
32	HPDIN	2 Level I (PD)	This pin is an input for Hot Plug Detect received from DisplayPort sink. When HPDIN is low for greater than 2ms, all DisplayPort lanes are disabled and AUX to SBU switch will remain closed. When HPDIN is high, the enabled DisplayPort lanes from AUX snoop or registers will be active.
33	DTX1p	Diff I/O	Differential positive input/output for downstream facing TX1 port.
34	DTX1n	Diff I/O	Differential negative input/output for downstream facing TX1 port.
35	UEQ0/A0	4 Level I	This pin along with UEQ1 sets the high-frequency equalizer gain for upstream facing URX1, URX2, UTX1, UTX2 receivers. In I2C mode, this pin will also set TUSB1044 I2C address. Refer to <a href="#">Table 6-9</a> .
36	DTX2n	Diff I/O	Differential negative input/output for downstream facing TX2 port.
37	DTX2p	Diff I/O	Differential positive input/output for downstream facing TX2 port.

**Pin Functions (continued)**

PIN		I/O	DESCRIPTION
NO.	NAME		
38	DEQ0	4 Level I	This pin along with DEQ1 sets the high-frequency equalizer gain for downstream facing URX1, URX2, UTX1, UTX2 receivers.
39	DRX2n	Diff I/O	Differential negative input/output for downstream facing RX2 port.
40	DRX2p	Diff I/O	Differential positive input/output for downstream facing RX2 port.
Thermal Pad		GND	Ground

## 5 Specifications

### 5.1 Absolute Maximum Ratings

over operating free-air temperature range (unless otherwise noted)<sup>(1)</sup>

		MIN	MAX	UNIT
V <sub>CC</sub>	Supply voltage range	-0.3	4	V
V <sub>IN_DIFF</sub>	Differential voltage at differential input pins.		±2.5	V
V <sub>IN_SE</sub>	Single-ended input voltage at differential input pins.	-0.5	4	V
V <sub>IN_CMOS</sub>	Input voltage at CMOS inputs	-0.3	4	V
T <sub>stg</sub>	Storage temperature	-65	150	°C

- (1) Stresses beyond those listed under *Absolute Maximum Rating* may cause permanent damage to the device. These are stress ratings only, which do not imply functional operation of the device at these or any other conditions beyond those indicated under *Recommended Operating Condition*. Exposure to absolute-maximum-rated conditions for extended periods may affect device reliability.

### 5.2 ESD Ratings

			VALUE	UNIT
V <sub>(ESD)</sub>	Electrostatic discharge	Human body model (HBM), per ANSI/ESDA/ JEDEC JS-001, all pins <sup>(1)</sup>	±5000	V
		Charged device model (CDM), per JEDEC specification JESD22-C101, all pins <sup>(2)</sup>	±1500	

- (1) JEDEC document JEP155 states that 500-V HBM allows safe manufacturing with a standard ESD control process.  
(2) JEDEC document JEP157 states that 250-V CDM allows safe manufacturing with a standard ESD control process.

### 5.3 Recommended Operating Conditions

over operating free-air temperature range (unless otherwise noted)

		MIN	NOM	MAX	UNIT
V <sub>CC</sub>	Supply voltage	3	3.3	3.6	V
V <sub>I2C</sub>	Supply that external resistors on SDA and SCL are pulled up to.	1.7		3.6	V
V <sub>PSN</sub>	Power supply noise on V <sub>CC</sub>			100	mV
T <sub>A</sub>	TUSB1044 Ambient temperature	0		70	°C
T <sub>A</sub>	TUSB1044i Ambient temperature	-40		85	°C
T <sub>J</sub>	TUSB1044 Junction temperature			105	°C
	TUSB1044i Junction temperature			125	°C

### 5.4 Thermal Information

	THERMAL METRIC <sup>(1)</sup>	TUSB1044		UNIT
		RNQ (WQFN)		
		40 PINS		
R <sub>θJA</sub>	Junction-to-ambient thermal resistance	37.6		°C/W
R <sub>θJC(top)</sub>	Junction-to-case (top) thermal resistance	20.7		°C/W
R <sub>θJB</sub>	Junction-to-board thermal resistance	9.5		°C/W
Ψ <sub>JT</sub>	Junction-to-top characterization parameter	0.2		°C/W
Ψ <sub>JB</sub>	Junction-to-board characterization parameter	9.4		°C/W
R <sub>θJC(bot)</sub>	Junction-to-case (bottom) thermal resistance	2.3		°C/W

- (1) For more information about traditional and new thermal metrics, see the [Semiconductor and IC Package Thermal Metrics](#) application report.

## 5.5 Electrical Characteristics

over operating free-air temperature and voltage range (unless otherwise noted)

PARAMETER		TEST CONDITIONS	MIN	TYP	MAX	UNIT
<b>Power</b>						
P <sub>USB-ACTIVE</sub>	Average power when configured for USB 3.1 only mode.	Link in U0 with GEN2 data transmission; EQ control pins = NC; K28.5 pattern at 10 Gbps; V <sub>ID</sub> = 1000mVp-p; V <sub>OD</sub> Linearity = 900mVp-p; CTL1 = L; CTL0 = H		297		mW
P <sub>USB-DP-ACTIVE</sub>	Average power when configured for USB 3.1 and 2 lane DP.	Link in U0 with GEN2 data transmission and DP active; EQ control pins = NC; K28.5 pattern at 10 Gbps; V <sub>ID</sub> = 1000mVp-p; V <sub>OD</sub> Linearity = 900mVp-p; CTL1 = H; CTL0 = H		578		mW
P <sub>CUSTOM-ACTIVE</sub>	Average power when configured for USB 3.1 and 2 channel custom alt mode.	Link in U0 with GEN2 data transmission and custom alt mode active; EQ control pins = NC; K28.5 pattern at 10 Gbps; V <sub>ID</sub> = 1000mVp-p; V <sub>OD</sub> Linearity = 900mVp-p; CTL1 = H; CTL0 = H		578		mW
P <sub>4DP-ACTIVE</sub>	Average power when configured for Four DP lanes	Four active DP lanes; EQ control pins = NC; K28.5 pattern at 10 Gbps; V <sub>ID</sub> = 1000mVp-p; V <sub>OD</sub> Linearity = 900mVp-p; CTL1 = H; CTL0 = L		564		mW
P <sub>USB-NC</sub>	Average power when configured for USB3.1 only and nothing connected to TXP/N pins.	No USB device connected; CTL1 = L; CTL0 = H		2.5		mW
P <sub>USB-U2U3</sub>	Average power when configured for USB3.1 only and link in U2 or U3 state.	Link in U2 or U3 state; CTL1 = L; CTL0 = H		2		mW
P <sub>SHUTDOWN</sub>	Average power when device in Shutdown	CTL1 = L; CTL0 = L; I2C_EN = 0;		0.65		mW
<b>4-State CMOS Inputs(UEQ[1:0];DEQ[1:0], CFG[1:0], A[1:0], I2C_EN, VIO_SEL)</b>						
I <sub>IH</sub>	High-level input current	V <sub>CC</sub> = 3.6 V; V <sub>IN</sub> = 3.6 V	20		80	μA
I <sub>IL</sub>	Low-level input current	V <sub>CC</sub> = 3.6 V; V <sub>IN</sub> = 0 V	-160		-40	μA
4-Level V <sub>TH</sub>	Threshold 0 / R	V <sub>CC</sub> = 3.3 V		0.55		V
	Threshold R/ Float	V <sub>CC</sub> = 3.3 V		1.65		V
	Threshold Float / 1	V <sub>CC</sub> = 3.3 V		2.7		V
R <sub>PU</sub>	Internal pull up resistance			35		kΩ
R <sub>PD</sub>	Internal pull-down resistance			95		kΩ
<b>2-State CMOS Input (CTL0, CTL1, FLIP, HPDIN, SLP_S0#, SWAP, DIR[1:0]).</b>						
V <sub>IH-3.3V</sub>	High-level input voltage	V <sub>CC</sub> = 3.3V; VIO_SEL = "0" or "R";	2		3.6	V
V <sub>IL-3.3V</sub>	Low-level input voltage	V <sub>CC</sub> = 3.3V; VIO_SEL = "0" or "R";	0		0.8	V
V <sub>IH-1.8V</sub>	High-level input voltage	V <sub>CC</sub> = 3.3V; VIO_SEL = "F" or "1";	1.2		3.6	V
V <sub>IL-1.8V</sub>	Low-level input voltage	V <sub>CC</sub> = 3.3V; VIO_SEL = "F" or "1";	0		0.4	V
R <sub>PD_CTL1</sub>	Internal pull-down resistance for CTL1, CTL0, DIR0, DIR1, FLIP, SLP_S0#.			500		kΩ
R <sub>PD_HPDI</sub>	Internal pull-down resistance for HPDIN			500		kΩ
R <sub>PD_SWA</sub>	Internal pull-down resistance for SWAP.			200		kΩ
I <sub>IH</sub>	High-level input current	V <sub>IN</sub> = 3.6 V	-25		25	μA
I <sub>IL</sub>	Low-level input current	V <sub>IN</sub> = GND, V <sub>CC</sub> = 3.6 V	-25		25	μA
<b>I2C Control Pins SCL, SDA</b>						
V <sub>IH-3.3V</sub>	High-level input voltage.	V <sub>CC</sub> = 3.3V; VIO_SEL = "0" or "F"; I2C Mode Enabled;	2		3.6	V

## 5.5 Electrical Characteristics (continued)

over operating free-air temperature and voltage range (unless otherwise noted)

PARAMETER		TEST CONDITIONS	MIN	TYP	MAX	UNIT
V <sub>IL-3.3V</sub>	Low-level input voltage.	V <sub>CC</sub> = 3.3V; VIO_SEL = "0" or "F"; I2C Mode Enabled;	0		0.8	V
V <sub>IH-1.8V</sub>	High-level input voltage.	V <sub>CC</sub> = 3.3V; VIO_SEL = "R" or "1"; I2C Mode Enabled;	1.2		3.6	V
V <sub>IL-1.8V</sub>	Low-level input voltage.	V <sub>CC</sub> = 3.3V; VIO_SEL = "R" or "1"; I2C Mode Enabled;	0		0.4	V
V <sub>OL</sub>	Low-level output voltage	I2C_EN ! = 0; I <sub>OL</sub> = 3 mA	0		0.4	V
I <sub>OL</sub>	Low-level output current	I2C_EN ! = 0; V <sub>OL</sub> = 0.4 V	20			mA
I <sub>I_I2C</sub>	Input current on SDA pin	0.1*V <sub>I2C</sub> < Input voltage < 3.3 V	-10		10	μA
C <sub>I_I2C</sub>	Input capacitance		0.5		5	pF
<b>USB Gen 2 Differential Receiver (UTX1P/N, UTX2P/N, DRX1P/N, DRX2P/N)</b>						
V <sub>RX-DIFF-PP</sub>	Input differential peak-peak voltage swing dynamic range	AC-coupled differential peak-to-peak signal measured post CTLE through a reference channel		2000		mVpp
V <sub>RX-DC-CM</sub>	Common-mode voltage bias in the receiver (DC)			0		V
R <sub>RX-DIFF-DC</sub>	Differential input impedance (DC)	Present after a GEN 2 device is detected on TXP/TXN	72		120	Ω
R <sub>RX-CM-DC</sub>	Receiver DC Common Mode impedance	Present after a GEN 2 device is detected on TXP/TXN	18		30	Ω
Z <sub>RX-HIGH-IMP-DC-POS</sub>	Common-mode input impedance with termination disabled (DC)	Present when no GEN 2 device is detected on TXP/TXN. Measured over the range of 0-500 mV with respect to GND.	25			kΩ
V <sub>SIGNAL-DET-DIFF-PP</sub>	Input Differential peak-to-peak Signal Detect Assert Level	10 Gbps PRBS7 pattern; low loss input channel;		80		mV
V <sub>RX-IDLE-DET-DIFF-PP</sub>	Input Differential peak-to-peak Signal Detect De-assert Level	10 Gbps PRBS7 pattern; low loss input channel;		60		mV
V <sub>RX-LFPS-DET-DIFF-PP</sub>	Low-frequency Periodic Signaling (LFPS) Detect Threshold	Below the minimum is squelched.	100		300	mV
C <sub>RX</sub>	RX input capacitance to GND	At 5 GHz			0.3	pF
RL <sub>RX-DIFF</sub>	Differential Return Loss	50 MHz – 2.5 GHz at 90 Ω		-13		dB
RL <sub>RX-DIFF</sub>		5 GHz at 90 Ω		-12		dB
RL <sub>RX-CM</sub>	Common Mode Return Loss	50 MHz – 5 GHz at 90 Ω		-10.5		dB
EQ <sub>SSP</sub>	Receiver equalization at maximum setting	UEQ[1:0] and DEQ[1:0]. at 5 GHz.		10		dB
<b>USB Gen 2 Differential Transmitter (DTX1P/N, DTX2P/N, URX1P/N, URX2P/N)</b>						
V <sub>TX-DIFF-PP</sub>	Transmitter dynamic differential voltage swing range.			1500		mVpp
V <sub>TX-RCV-DETECT</sub>	Amount of voltage change allowed during Receiver Detection	At 3.3 V			600	mV
V <sub>TX-CM-IDLE-DELTA</sub>	Transmitter idle common-mode voltage change while in U2/U3 and not actively transmitting LFPS	measured at the connector side of the AC coupling caps with 50 ohm load	-600		600	mV
V <sub>TX-DC-CM</sub>	Common-mode voltage bias in the transmitter (DC)			1.75	2.3	V
V <sub>TX-CM-AC-PP-ACTIVE</sub>	Tx AC Common-mode voltage active	Rx EQ setting matches input channel loss; Max mismatch from Txp + Txn for both time and amplitude; -40°C to 85°C;			100	mVpp
V <sub>TX-IDLE-DIFF-AC-PP</sub>	AC Electrical idle differential peak-to-peak output voltage	At package pins	0		10	mV



## 5.5 Electrical Characteristics (continued)

over operating free-air temperature and voltage range (unless otherwise noted)

PARAMETER		TEST CONDITIONS	MIN	TYP	MAX	UNIT
V <sub>TX-IDLE-DIFF-DC</sub>	DC Electrical idle differential output voltage	At package pins after low-pass filter to remove AC component	0		14	mV
R <sub>TX-DIFF</sub>	Differential impedance of the driver		75		120	Ω
C <sub>AC-COUPLING</sub>	AC Coupling capacitor		75		265	nF
R <sub>TX-CM</sub>	Common-mode impedance of the driver	Measured with respect to AC ground over 0-500 mV	18		30	Ω
I <sub>TX-SHORT</sub>	TX short circuit current	TX + /- shorted to GND			74	mA
RL <sub>TX-DIFF</sub>	Differential Return Loss	50 MHz – 2.5 GHz at 90 Ω		-13		dB
RL <sub>TX-DIFF</sub>	Differential Return Loss	5 GHz at 90 Ω		-10.5		dB
RL <sub>TX-CM</sub>	Common Mode Return Loss	50 MHz – 5 GHz at 90 Ω		-10		dB
<b>AC Characteristics</b>						
Crosstalk	Differential Cross Talk between TX and RX signal Pairs	At 5 GHz		-30		dB
G <sub>LF</sub>	Low-frequency voltage gain for 0dB setting.	At 100 MHz; 200 mVpp < V <sub>ID</sub> < 2000 mVpp; 0 dB DC Gain;	-1	0	1	dB
CP <sub>1 dB-LF-1100</sub>	Low-frequency 1-dB compression point	At 100 MHz; 200 mVpp < V <sub>ID</sub> < 2000 mVpp; 1100mVpp linearity setting;		1100		mVpp
CP <sub>1 dB-HF-1100</sub>	High-frequency 1-dB compression point	At 5 GHz; 200 mVpp < V <sub>ID</sub> < 2000 mVpp; 1100mVpp linearity setting;		1200		mVpp
f <sub>LF</sub>	Low-frequency cutoff	200 mVpp < V <sub>ID</sub> < 2000 mVpp		22	50	kHz
D <sub>J</sub>	TX output deterministic jitter	200 mVpp < V <sub>ID</sub> < 2000 mVpp, PRBS7, 10 Gbps		0.07		Upp
D <sub>J</sub>	TX output deterministic jitter	200 mVpp < V <sub>ID</sub> < 2000 mVpp, PRBS7, 8.1 Gbps		0.07		Upp
T <sub>J</sub>	TX output total jitter	200 mVpp < V <sub>ID</sub> < 2000 mVpp, PRBS7, 10 Gbps		0.11		Upp
T <sub>J</sub>	TX output total jitter	200 mVpp < V <sub>ID</sub> < 2000 mVpp, PRBS7, 8.1 Gbps		0.11		Upp
<b>DisplayPort Receiver (UTX1P/N, UTX2P/N, URX1P/N, URX2P/N)</b>						
V <sub>ID_PP</sub>	Peak-to-peak input differential dynamic voltage range			1500		V
V <sub>IC</sub>	Input Common Mode Voltage			0		V
C <sub>AC</sub>	AC coupling capacitance		75		265	nF
EQ <sub>DP</sub>	Receiver Equalizer	DPEQ1, DPEQ0 at 4.05 GHz		9.5		dB
d <sub>R</sub>	Data rate	UHBR10			10.0	Gbps
R <sub>ti</sub>	Input Termination resistance		80	100	120	Ω
<b>DisplayPort Transmitter (DTX1P/N, DTX2P/N, DRX1P/N, DRX2P/N)</b>						
V <sub>TX-DIFFPP</sub>	VOD dynamic range			1500		mV
<b>AUXP/N and SBU1/2</b>						
R <sub>ON</sub>	Output ON resistance	V <sub>CC</sub> = 3.3 V; V <sub>I</sub> = 0 to 0.4 V for AUXP; V <sub>I</sub> = 2.7 V to 3.6 V for AUXN		5	12	Ω
ΔR <sub>ON</sub>	ON resistance mismatch within pair	V <sub>CC</sub> = 3.3 V; V <sub>I</sub> = 0 to 0.4 V for AUXP; V <sub>I</sub> = 2.7 V to 3.6 V for AUXN			1.3	Ω
R <sub>ON_FLAT</sub>	ON resistance flatness (RON max – RON min) measured at identical VCC and temperature	V <sub>CC</sub> = 3.3 V; V <sub>I</sub> = 0 to 0.4 V for AUXP; V <sub>I</sub> = 2.7 V to 3.6 V for AUXN			2	Ω
V <sub>AUXP_DC_CM</sub>	AUX Channel DC common mode voltage for AUXP and SBU1.	V <sub>CC</sub> = 3.3 V	0		0.4	V

## 5.5 Electrical Characteristics (continued)

over operating free-air temperature and voltage range (unless otherwise noted)

PARAMETER		TEST CONDITIONS	MIN	TYP	MAX	UNIT
V <sub>AUXN_D C_CM</sub>	AUX Channel DC common mode voltage for AUXN and SBU2	V <sub>CC</sub> = 3.3 V	2.7		3.6	V

## 5.6 Switching Characteristics

over operating free-air temperature range (unless otherwise noted)

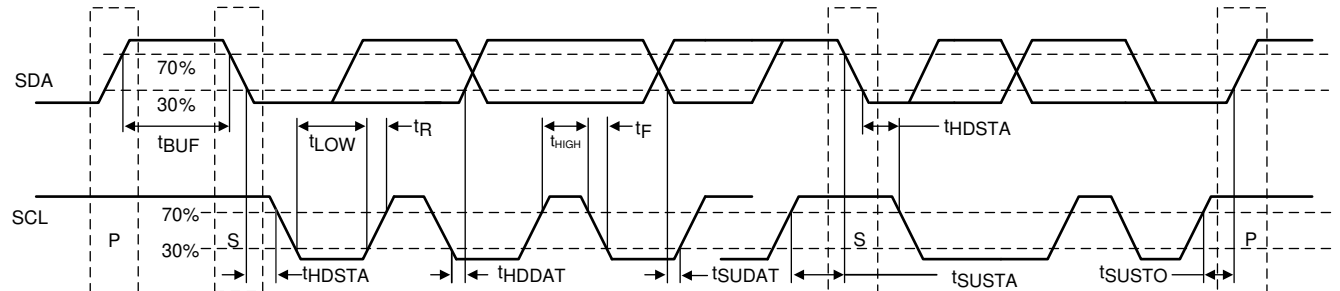
PARAMETER		TEST CONDITIONS	MIN	TYP	MAX	UNIT
<b>USB 3.1</b>						
t <sub>IDLEEntry</sub>	Delay from U0 to electrical idle	Refer to <a href="#">Figure 5-4</a>		0.16		ns
t <sub>IDLEExit_U1</sub>	U1 exist time: break in electrical idle to the transmission of LFPS	Refer to <a href="#">Figure 5-4</a>		0.16		ns
t <sub>IDLEExit_U2U3</sub>	U2/U3 exit time: break in electrical idle to transmission of LFPS			5		μs
t <sub>RXDET_INTVL</sub>	RX detect interval while in Disconnect				12	ms
t <sub>IDLEExit_DISC</sub>	Disconnect Exit Time			12		ms
t <sub>Exit_SHTDN</sub>	Shutdown Exit Time	CTL0 = V <sub>cc</sub> /2 to U2U3		0.5		ms
t <sub>DIFF_DLY</sub>	Differential Propagation Delay	Refer to <a href="#">Figure 5-3</a>			300	ps
t <sub>PWRUPACTIVE</sub>	Time when V <sub>cc</sub> reaches 70% to device active				1	ms
t <sub>RF</sub>	Output Rise/Fall Time	20%-80% of differential voltage measured 1.7 inch from the output pin; Input signal rise/fall faster than 35ps; Refer to <a href="#">Figure 5-5</a>		35		ps
t <sub>RF-MM</sub>	Output Rise/Fall time mismatch	20%-80% of differential voltage measured 1.7 inch from the output pin			2.6	ps
<b>AUXP/N and SBU1/2</b>						
t <sub>AUX_PD</sub>	Switch propagation delay	Refer to <a href="#">Figure 5-3</a>			1050	ps
t <sub>AUX_SW_OFF</sub>	Switching time CTL1 to switch OFF.	Refer to <a href="#">Figure 5-7</a>			500	ns
t <sub>AUX_SW_ON</sub>	Switching time CTL1 to switch ON	Refer to <a href="#">Figure 5-6</a>			500	ns
t <sub>AUX_INTRA</sub>	Intra-pair output skew				100	ps

## 5.7 Timing Requirements

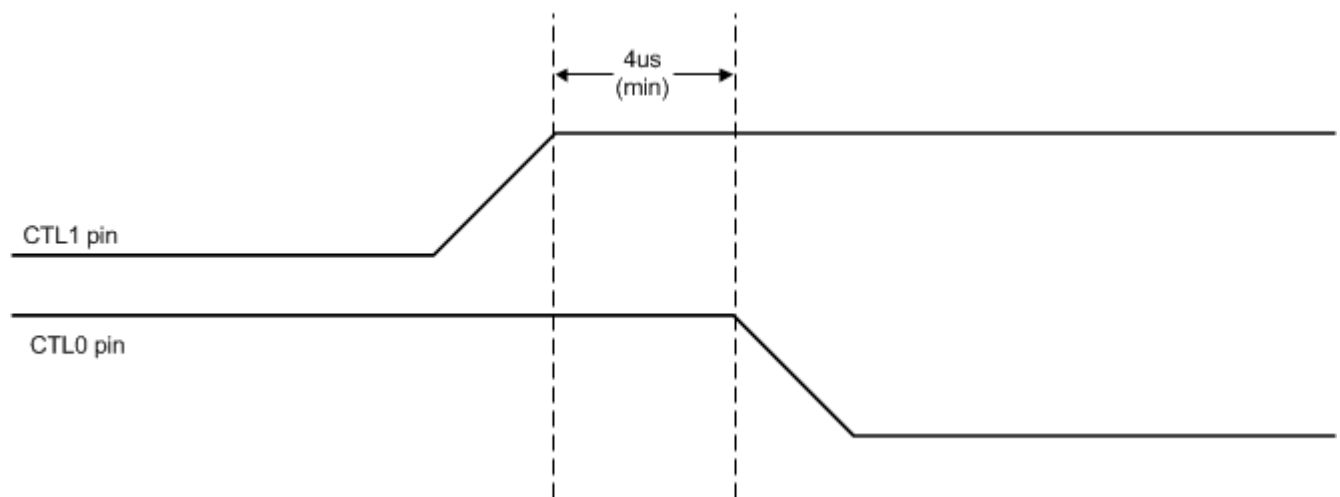
		MIN	NOM	MAX	UNIT
<b>I2C Timing</b>					
f <sub>SCL</sub>	I2C clock frequency			1	MHz
t <sub>BUF</sub>	Bus free time between START and STOP conditions	0.5			μs
t <sub>HDSTA</sub>	Hold time after repeated START condition. After this period, the first clock pulse is generated	0.26			μs
t <sub>LOW</sub>	Low period of the I2C clock	0.5			μs
t <sub>HIGH</sub>	High period of the I2C clock	0.26			μs
t <sub>SUSTA</sub>	Setup time for a repeated START condition	0.26			μs
t <sub>HDDAT</sub>	Data hold time	0			μs
t <sub>SUDAT</sub>	Data setup time	50			ns

### 5.7 Timing Requirements (continued)

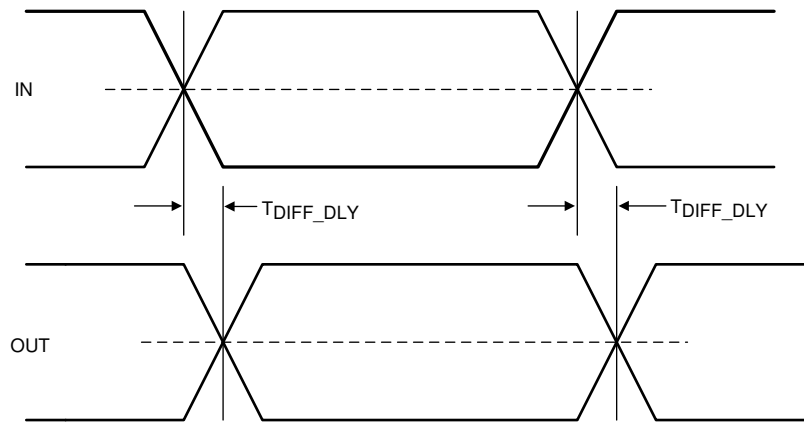
		MIN	NOM	MAX	UNIT
$t_R$	Rise time of both SDA and SCL signals			120	ns
$t_F$	Fall time of both SDA and SCL signals	$20 \times (V_{I2C}/5.5V)$		120	ns
$t_{SUSTO}$	Setup time for STOP condition	0.26			$\mu s$
$C_{BUS}$	Capacitive load for each bus line			100	pF
<b>HPDIN and CTL1</b>					
$t_{CTL1\_DEBOUNCE}$	CTL1 and HPDIN debounce time when transitioning from H to L. DP lanes will be disabled if low is greater than min value.	2.5			ms
<b>USB3.1 and DisplayPort mode transition requirement GPIO mode</b>					
$t_{GP\_USB\_4DP}$	Min overlap of CTL0 and CTL1 when transitioning from USB 3.1 only mode to 4-Lane DisplayPort mode or vice versa. Refer to <a href="#">Figure 5-2</a>	4			$\mu s$
<b>Power-on timings</b>					
$t_{d\_pg}$	$V_{CC(MIN)}$ to Internal power good asserted high. Refer to <a href="#">Figure 5-8</a>			500	$\mu s$
$t_{cfg\_su}$	CFG pins setup. Refer to <a href="#">Figure 5-8</a>	350			$\mu s$
$t_{cfg\_hd}$	CFG pin hold. Refer to <a href="#">Figure 5-8</a>	10			$\mu s$
$t_{ctl\_db}$	CTL[1:0] and FLIP pin debounce. Refer to <a href="#">Figure 5-8</a>			16	ms
$t_{VCC\_RAMP}$	VCC supply ramp requirement. Refer to <a href="#">Figure 5-8</a>	0.1		100	ms



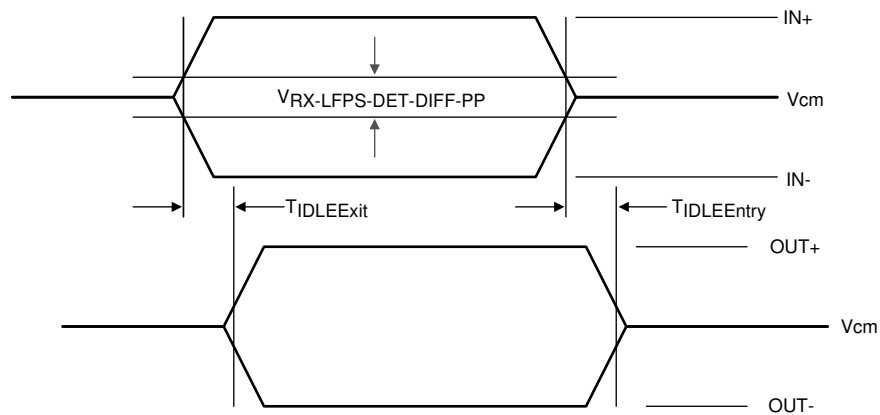
**Figure 5-1. I2C Timing Diagram Definitions**



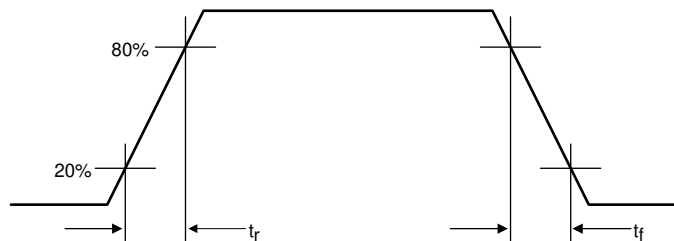
**Figure 5-2. USB3.1 to 4-Lane DisplayPort in GPIO Mode**



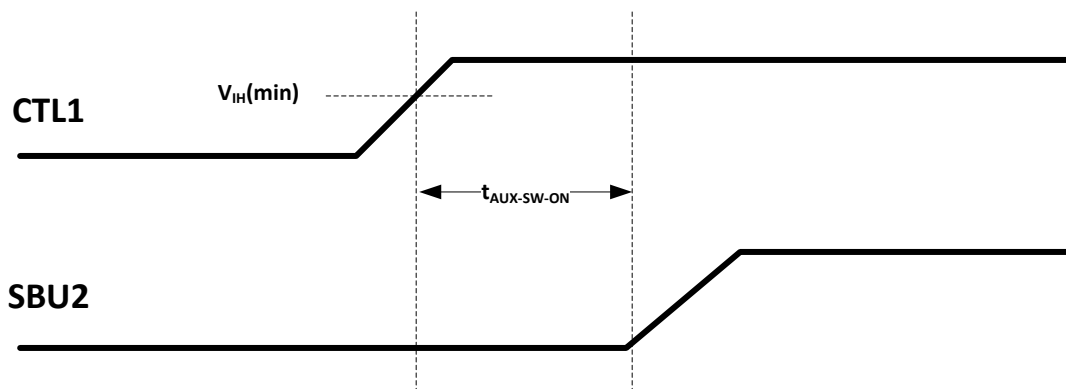
**Figure 5-3. Propagation Delay**



**Figure 5-4. Electrical Idle Mode Exit and Entry Delay**

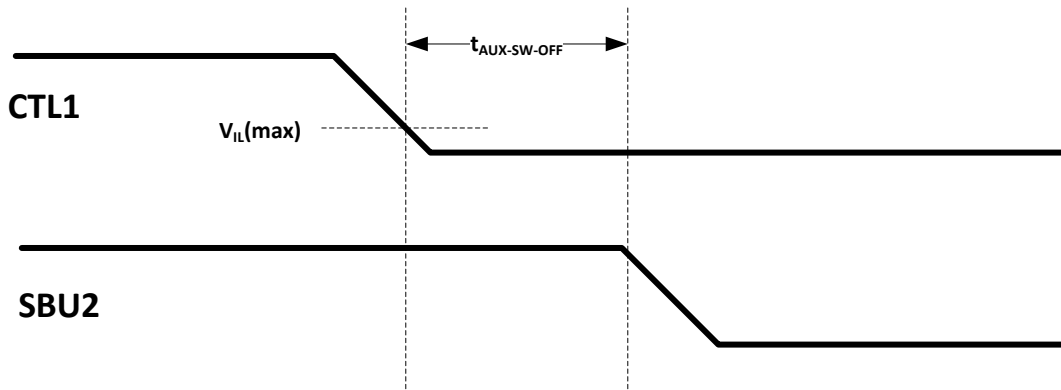


**Figure 5-5. Output Rise and Fall Times**



Copyright © 2017, Texas Instruments Incorporated

**Figure 5-6. AUX to SBU Switch ON Timing Diagram**



Copyright © 2017, Texas Instruments Incorporated

**Figure 5-7. AUX to SBU Switch OFF Timing Diagram**

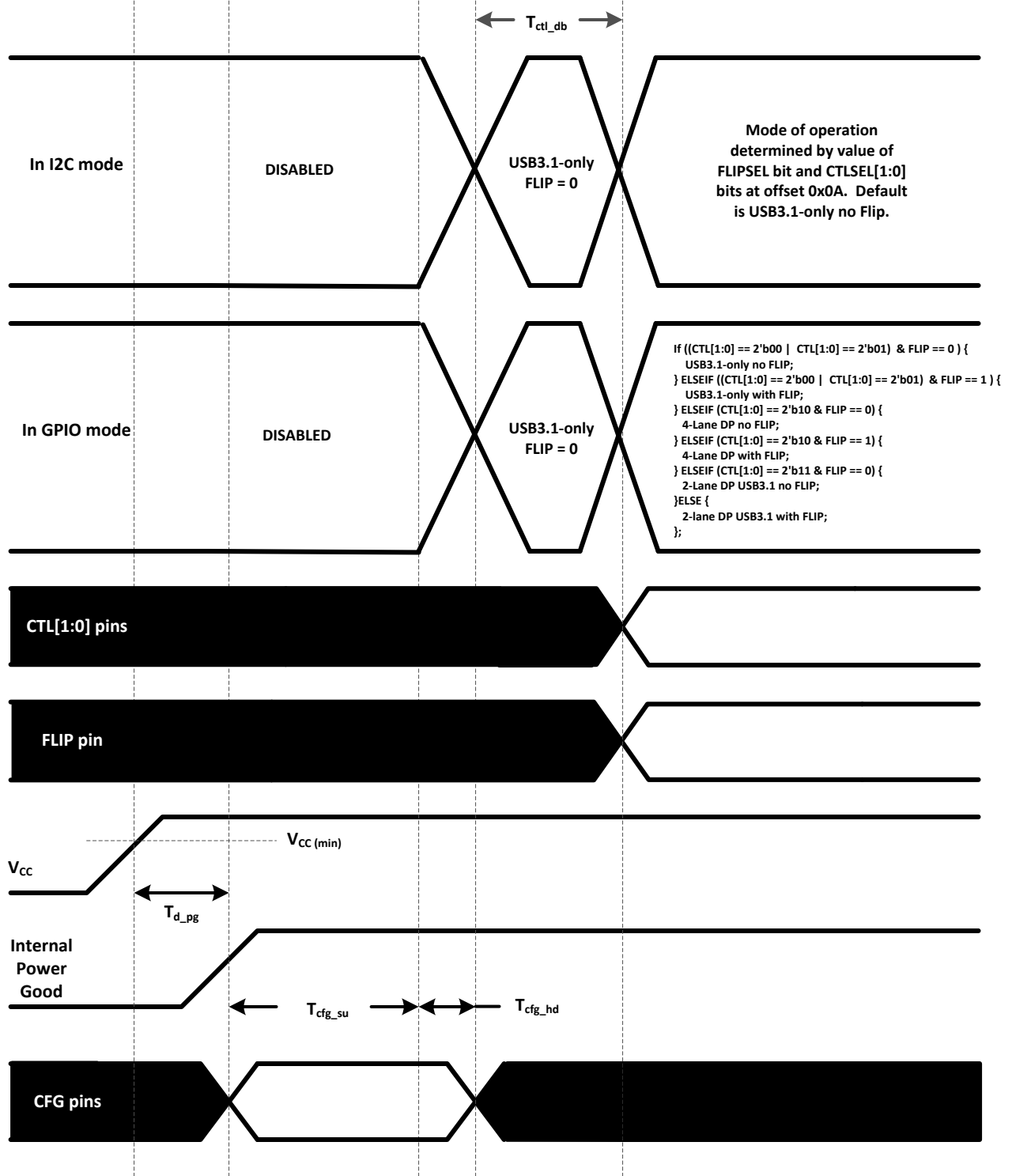
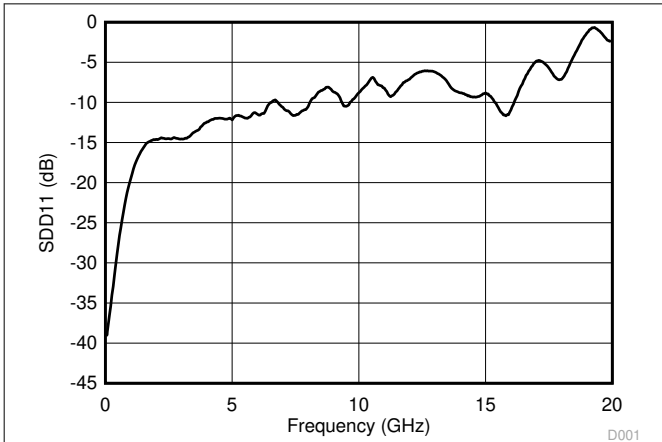
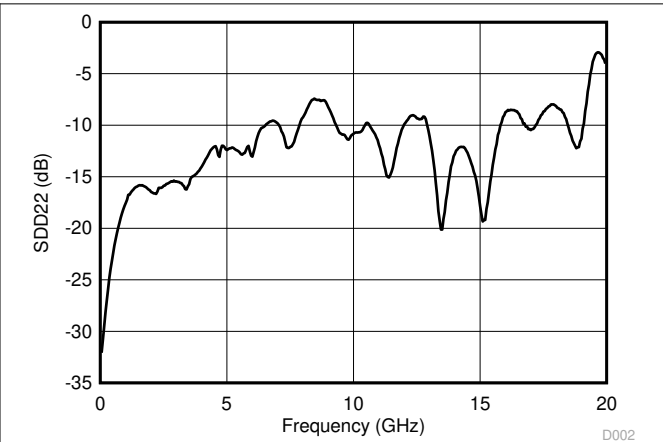


Figure 5-8. Power-Up Timing Diagram

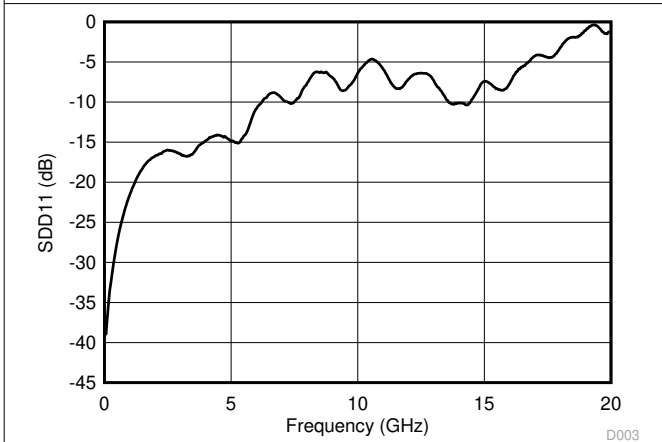
### 5.8 Typical Characteristics



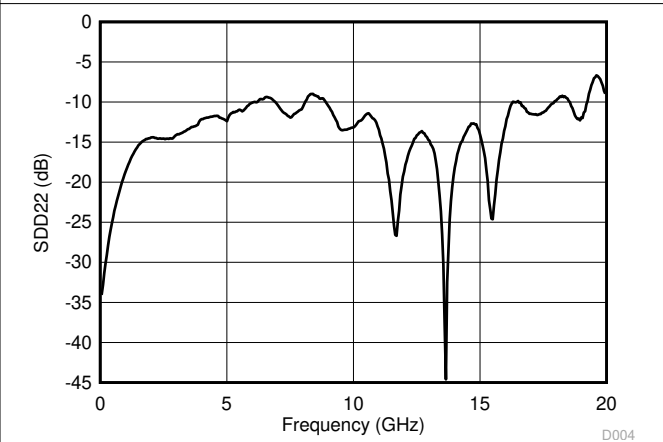
**Figure 5-9. Input Return Loss Performance of the Downstream Ports**



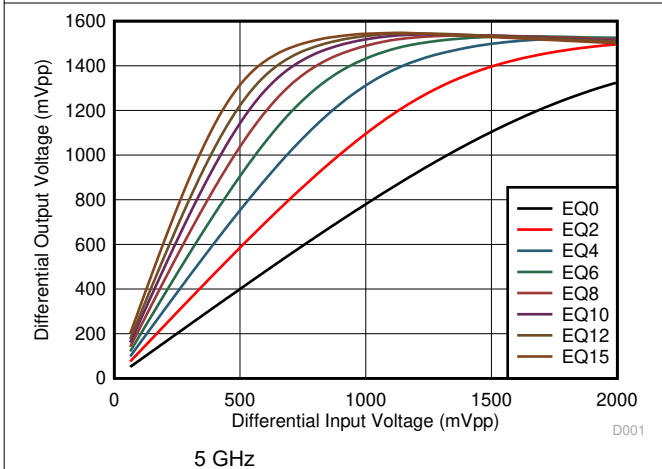
**Figure 5-10. Output Return Loss Performance of the Downstream Ports**



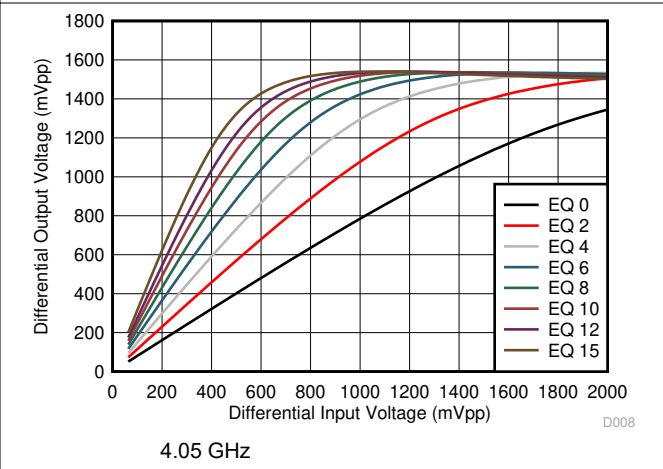
**Figure 5-11. Input Return Loss Performance of the Upstream Ports**



**Figure 5-12. Output Return Loss Performance of the Upstream Ports**



**Figure 5-13. Downstream-to-Upstream Linearity Performance at 5 GHz**



**Figure 5-14. Downstream-to-Upstream Linearity Performance at 4.05 GHz**

### 5.8 Typical Characteristics (continued)

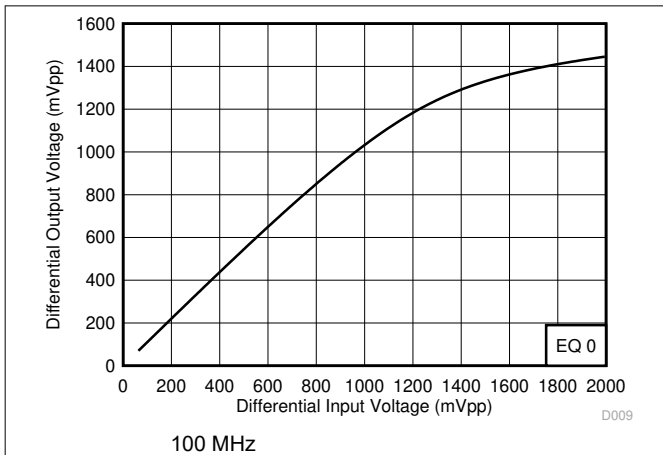


Figure 5-15. Downstream-to-Upstream Linearity Performance at 100 MHz

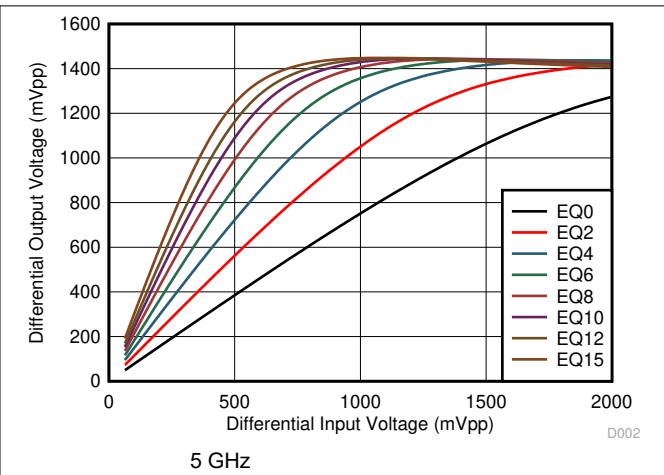


Figure 5-16. Upstream-to-Downstream Linearity Performance at 5 GHz

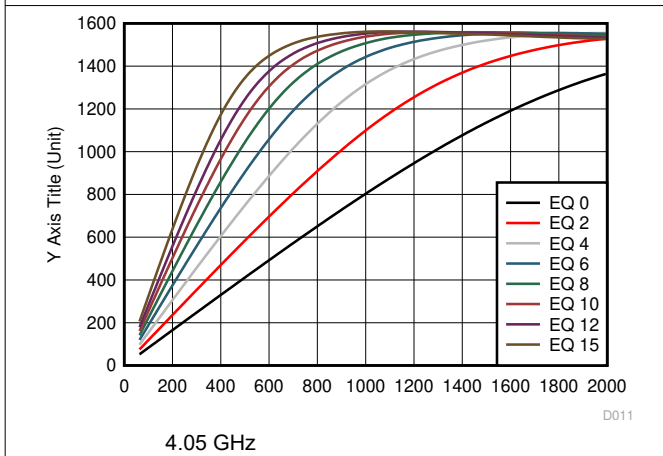


Figure 5-17. Upstream-to-Downstream Linearity Performance at 4.05 GHz

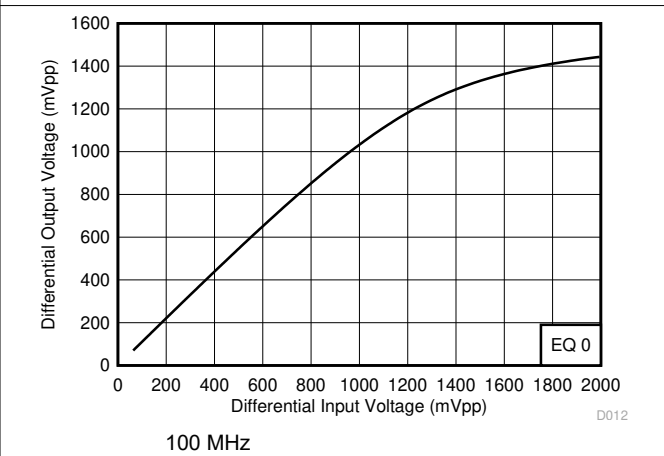
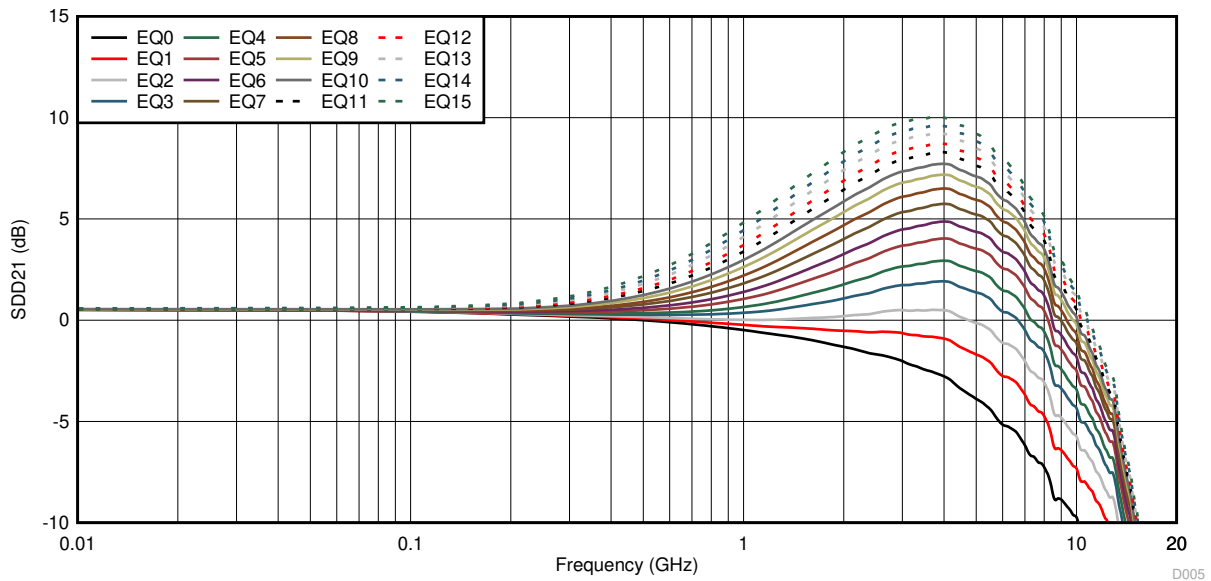
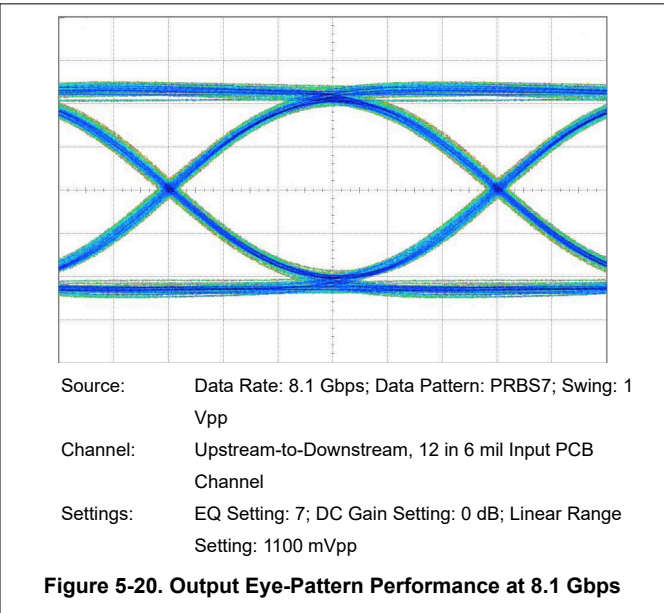
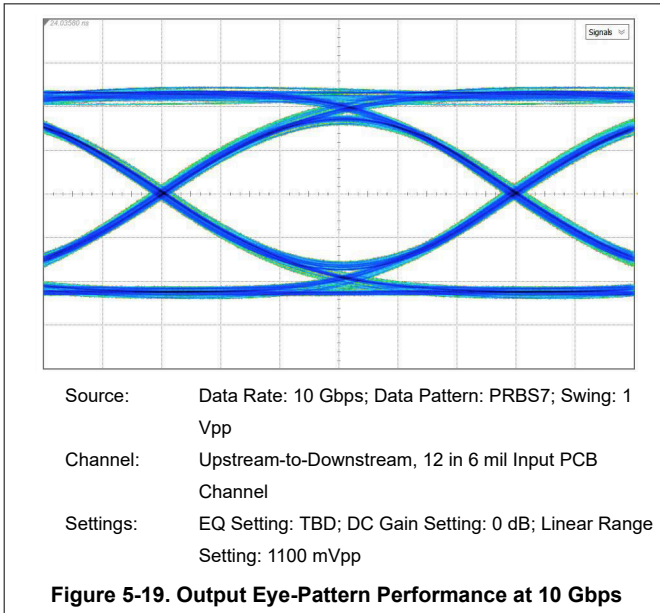


Figure 5-18. Upstream-to-Downstream Linearity Performance at 100 MHz



### 5.8 Typical Characteristics (continued)



**Figure 5-21. Upstream-to-Downstream EQ Settings Curves**

### 5.8 Typical Characteristics (continued)

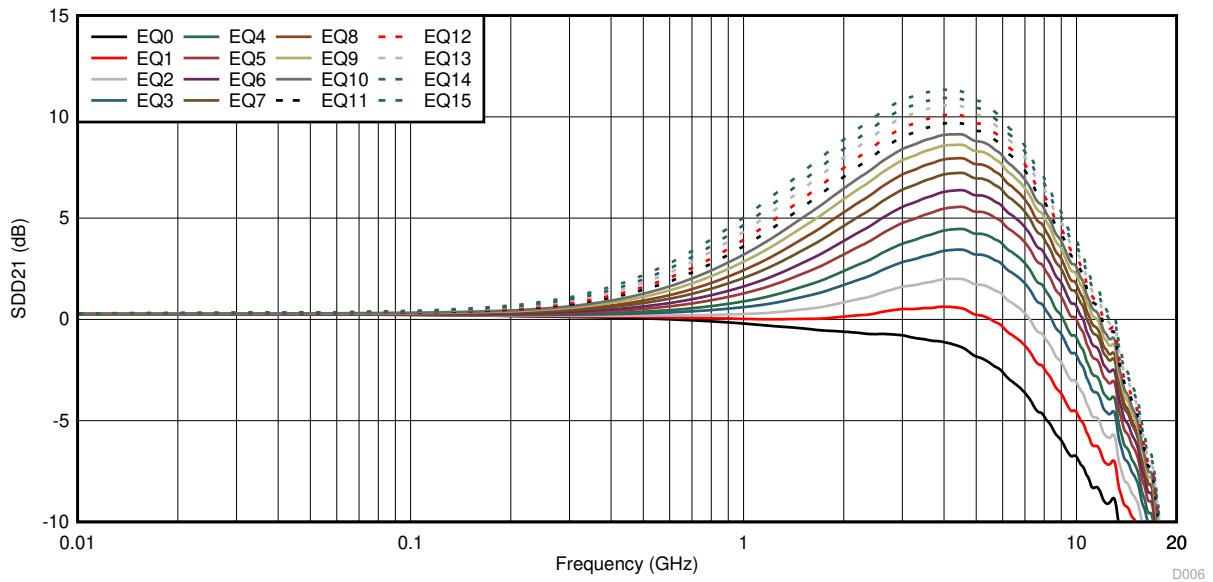


Figure 5-22. Downstream-to-Upstream EQ Settings Curves

## 6 Detailed Description

### 6.1 Overview

The TUSB1044 is a USB Type-C Alt Mode redriver switch supporting data rates up to 10.0 Gbps. This device implements 5th generation USB redriver technology. The device is used for configurations C, D, E, and F from the VESA DisplayPort Alt Mode on USB Type-C Standard. It can also be configured to support custom USB Type-C alternate modes.

The TUSB1044 provides several levels of receive equalization to compensate for cable and board trace loss due to inter-symbol interference (ISI) when USB 3.1 Gen 2 or DisplayPort (or other Alt modes) signals travel across a PCB or cable. This device requires a 3.3V power supply. It comes for both commercial temperature range and industrial temperature range operation.

For host (source) or device (sink) applications, the TUSB1044 enables the system to pass both transmitter compliance and receiver jitter tolerance tests for USB 3.1 Gen 2 and DisplayPort version 2.1 UHBR10. The re-driver recovers incoming data by applying equalization that compensates for channel loss, and drives out signals with a high differential voltage. Each channel has a receiver equalizer with selectable gain settings. Equalization control for upstream and downstream facing ports can be set using UEQ[1:0], and DEQ[1:0] pins respectively or through the I<sup>2</sup>C interface.

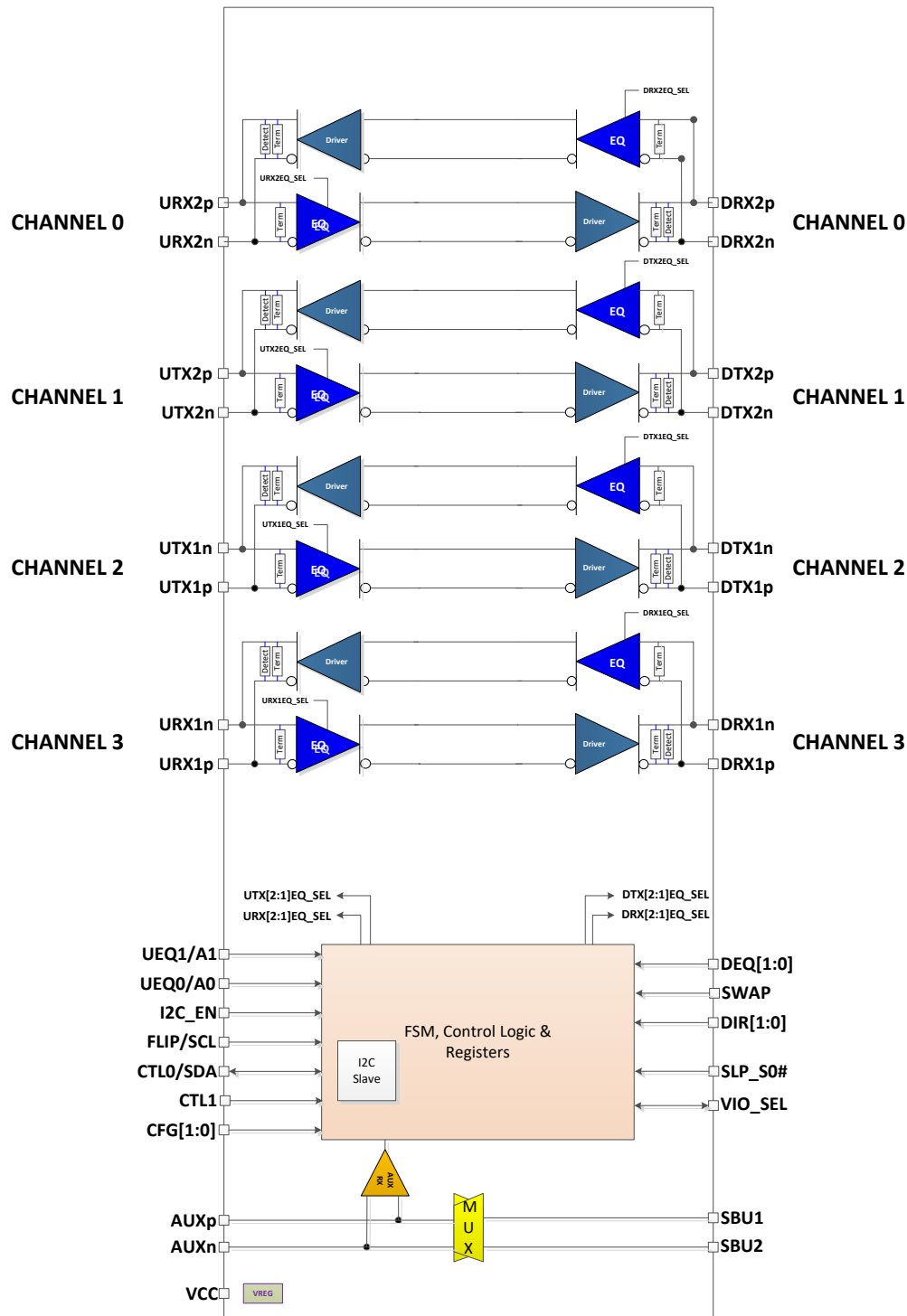
Moreover, the CFG[1:0] or the equivalent I<sup>2</sup>C registers provide the ability to control the EQ DC gain and the voltage linearity range for all the channels (Refer to [Table 6-8](#)). This flexible control makes it easy to set up the device to pass various standard compliance requirements.

The TUSB1044 advanced state machine makes it transparent to hosts and devices. After power up, the TUSB1044 periodically performs receiver detection on the TX pairs. If it detects a USB 3.1 receiver, the RX termination is enabled, and the TUSB1044 is ready to re-drive.

The TUSB1044 provides extremely flexible data path signal direction control using the CTL[1:0], FLIP, DIR[1:0], and SWAP pins or through the I<sup>2</sup>C interface. Refer to [Table 6-4](#) for detailed information on the input to output signal pin mapping.

The device ultra-low-power architecture operates at a 3.3V power supply and achieves enhanced performance. The automatic LFPS De-Emphasis control further enables the system to be USB 3.1 compliant.

## 6.2 Functional Block Diagram



## 6.3 Feature Description

### 6.3.1 USB 3.1

The TUSB1044 supports USB 3.1 data rates up to 10 Gbps. The TUSB1044 supports all the USB defined power states (U0, U1, U2, and U3). Because the TUSB1044 is a linear redriver, it can't decode USB3.1 physical layer traffic. The TUSB1044 monitors the actual physical layer conditions like receiver termination, electrical idle, LFPS, and SuperSpeed signaling rate to determine the USB power state of the USB3.1 interface.

The TUSB1044 features an intelligent low frequency periodic signaling (LFPS) detector. The LFPS detector automatically senses the low frequency signals and disables receiver equalization functionality. When not receiving LFPS, the TUSB1044 enables receiver equalization based on the UEQ[1:0] and DEQ[1:0] pins or values programmed into UEQ[3:0]\_SEL, and DEQ[3:0]\_SEL registers.

### 6.3.2 DisplayPort

The TUSB1044 supports up to 4 DisplayPort lanes at data rates up to 10.0 Gbps (UHBR10). The TUSB1044, when configured in DisplayPort mode, monitors the native AUX traffic as it traverses between DisplayPort source and DisplayPort sink. For the purposes of reducing power, the TUSB1044 manages the number of active DisplayPort lanes based on the content of the AUX transactions. The TUSB1044 snoops native AUX writes to DisplayPort sink's DPCD registers 00101h (LANE\_COUNT\_SET) and 00600h (SET\_POWER\_STATE). TUSB1044 disable or enable lanes based on value written to LANE\_COUNT\_SET. The TUSB1044 disables all lanes when SET\_POWER\_STATE is in the D3. Otherwise, active lanes are based on value of LANE\_COUNT\_SET.

DisplayPort AUX snooping is enabled by default but can be disabled by changing the AUX\_SNOOP\_DISABLE register. Once AUX snoop is disabled, management of TUSB1044 DisplayPort lanes are controlled through various configuration registers.

### 6.3.3 4-Level Inputs

The TUSB1044 has (I2C\_EN, UEQ[1:0], DEQ[1:0], CFG[1:0], and A[1:0]) 4-level inputs pins that are used to control the equalization gain, voltage linearity range, and place TUSB1044 into different modes of operation. These 4-level inputs utilize a resistor divider to help set the 4 valid levels and provide a wider range of control settings. There is an internal pull-up and a pull-down resistors. These resistors, together with the external resistor connection combine to achieve the desired voltage level.

**Table 6-1. 4-Level Control Pin Settings**

LEVEL	SETTINGS
0	Option 1: Tie 1 K $\Omega$ 5% to GND. Option 2: Tie directly to GND.
R	Tie 20 K $\Omega$ 5% to GND.
F	Float (leave pin open)
1	Option 1: Tie 1 K $\Omega$ 5% to V <sub>CC</sub> . Option 2: Tie directly to V <sub>CC</sub> .

#### Note

All four-level inputs are latched on rising edge of internal reset. After  $T_{\text{cfg\_hd}}$ , the internal pull-up and pull-down resistors will be isolated in order to save power.

### 6.3.4 Receiver Linear Equalization

The purpose of receiver equalization is to compensate for channel insertion loss and inter-symbol interference in the system. The receiver overcomes these losses by attenuating the low frequency components of the signals with respect to the high frequency components. The proper gain setting should be selected to match the channel insertion loss. Two 4-level input pins enable up to 16 possible equalization settings. The upstream path, and the downstream path each have their own two 4-level inputs for equalization settings; UEQ[1:0] and DEQ[1:0] respectively. The TUSB1044 also provides the flexibility of adjusting equalization settings through I2C registers URX[2:1]EQ\_SEL, UTX[2:1]EQ\_SEL, DRX[2:1]EQ\_SEL, and DTX[2:1]EQ\_SEL for each individual channel and for each direction (upstream or downstream).

## 6.4 Device Functional Modes

### 6.4.1 Device Configuration in GPIO mode

The TUSB1044 is in GPIO configuration when I2C\_EN = "0" or I2C\_EN = "F". The TUSB1044 supports operational combinations with USB and two different Type-C Alternate Modes. One combination includes USB and Alternate Mode DisplayPort, and the other combination includes USB and custom Alternate Mode. For each operational combination the data path directions can be further set using the DIR[1:0] pins or through I2C to enable the device to operate in the source or sink sides. Please refer to [Table 6-2](#) for all the configuration of all the operational modes.

When the device is set to operate in a USB and Alternate Mode DisplayPort the following configurations can be further set: USB3.1 only, 2 DisplayPort lanes + USB3.1, or 4 DisplayPort lanes (no USB3.1). The CTL1 pin controls whether DisplayPort mode is enabled. The combination of CTL1 and CTL0 selects between USB3.1 only, 2 lanes of DisplayPort, or 4-lanes of DisplayPort as detailed in [Table 6-2](#). The AUXP/N to SBU1/2 mapping is controlled based on [Table 6-3](#).

When the device is set to operate in a USB and custom Alternate Mode, the following configurations can be further set: USB3.1 only, 2 Channels of custom Alternate Mode + USB3.1, or 4 Channels of custom Alternate Mode (no USB3.1). The CTL1 pin controls whether custom Alternate Mode is enabled. The combination of CTL1 and CTL0 selects between USB3.1 only, 2 channels of custom Alternate Mode, or 4 channels of custom Alternate Mode as detailed in [Table 6-2](#). The AUXP/N to SBU1/2 mapping is controlled based on [Table 6-3](#).

Further data path direction control can be achieved using the SWAP pin. When set high, the SWAP pin reverses the data path direction on all the channels and swaps the equalization settings of the upstream and downstream facing input ports. This pin may be found useful in active cable application with TUSB1044 installed on only one end. The SWAP pin can be set based on which cable end is plugged to the source or sink side receptacle

After power-up (VCC from 0 V to 3.3 V), the TUSB1044 will default to USB3.1 mode. The USB PD controller, upon detecting no device attached to Type-C port or USB3.1 operation not required by attached device, must take TUSB1044 out of USB3.1 mode by transitioning the CTL0 pin from L to H and back to L.

**Table 6-2. GPIO Configuration Control**

DIR1 PIN	DIR0 PIN	CTL1 PIN	CTL0 PIN	FLIP PIN	TUSB1044 CONFIGURATION	VESA DisplayPort ALT MODE DFP_D Configuration
USB + DisplayPort Alternate Mode (Source Side)						
L	L	L	L	L	Power Down	—
L	L	L	L	H	Power Down	—
L	L	L	H	L	One Port USB 3.1 - No Flip	—
L	L	L	H	H	One Port USB 3.1 – With Flip	—
L	L	H	L	L	4 Lane DP - No Flip	C and E
L	L	H	L	H	4 Lane DP – with Flip	C and E
L	L	H	H	L	One Port USB 3.1 + 2 Lane DP- No Flip	D and F
L	L	H	H	H	One Port USB 3.1 + 2 Lane DP– with Flip	D and F
USB + DisplayPort Alternate Mode (Sink Side)						

**Table 6-2. GPIO Configuration Control (continued)**

DIR1 PIN	DIR0 PIN	CTL1 PIN	CTL0 PIN	FLIP PIN	TUSB1044 CONFIGURATION	VESA DisplayPort ALT MODE DFP_D Configuration
L	H	L	L	L	Power Down	–
L	H	L	L	H	Power Down	–
L	H	L	H	L	One Port USB 3.1 - No Flip	–
L	H	L	H	H	One Port USB 3.1 – With Flip	–
L	H	H	L	L	4 Lane DP - No Flip	C and E
L	H	H	L	H	4 Lane DP – With Flip	C and E
L	H	H	H	L	One Port USB 3.1 + 2 Lane DP- No Flip	D and F
L	H	H	H	H	One Port USB 3.1 + 2 Lane DP– With Flip	D and F
USB + Custom Alternate Mode (Source Side)						
H	L	L	L	L	Power Down	–
H	L	L	L	H	Power Down	–
H	L	L	H	L	One Port USB 3.1 - No Flip	–
H	L	L	H	H	One Port USB 3.1 – With Flip	–
H	L	H	L	L	4 Channel Custom Alt Mode - No Flip	–
H	L	H	L	H	4 Channel Custom Alt Mode– With Flip	–
H	L	H	H	L	One Port USB 3.1 + 2 Channel Custom Alt Mode- No Flip	–
H	L	H	H	H	One Port USB 3.1 + 2 Channel Custom Alt Mode – With Flip	–
USB + Custom Alternate Mode (Sink Side)						
H	H	L	L	L	Power Down	-
H	H	L	L	H	Power Down	-
H	H	L	H	L	One Port USB 3.1 - No Flip	-
H	H	L	H	H	One Port USB 3.1 – With Flip	-
H	H	H	L	L	4 Channel Custom Alt Mode - No Flip	-
H	H	H	L	H	4 Channel Custom Alt Mode– With Flip	-
H	H	H	H	L	One Port USB 3.1 + 2 Channel Custom Alt Mode- No Flip	-
H	H	H	H	H	One Port USB 3.1 + 2 Channel Custom Alt Mode – With Flip	-

**Table 6-3. GPIO AUXP/N to SBU1/2 Mapping**

CTL1 pin	FLIP pin	Mapping
H	L	AUXP -> SBU1 AUXN -> SBU2
H	H	AUXP -> SBU2 AUXN -> SBU1
L > 2ms	X	Open

Table 6-4 details the TUSB1044 mux routing. This table is valid for GPIO Mode. This table is also valid for I2C mode if CH\_SWAP\_SEL = 4'b0000 or 4'b1111.

**Table 6-4. INPUT to OUTPUT Mapping**

					SWAP = L			SWAP = H		
					From	From	To	From	From	To
DIR1 PIN	DIR0 PIN	CTL1 PIN	CTL0 PIN	FLIP PIN	Rx EQ Control PINS	Input PIN	Output PIN	Rx EQ Control PINS	Input PIN	Output PIN
USB + DisplayPort Alternate Mode (Source Side)										
L	L	L	L	L	NA	NA	NA	NA	NA	NA
L	L	L	L	H	NA	NA	NA	NA	NA	NA
L	L	L	H	L	DEQ[1:0]	DRX1P	URX1P (SSRXP)	DEQ[1:0]	URX1P (SSTXP)	DRX1P
					DEQ[1:0]	DRX1N	URX1N (SSRXN)	DEQ[1:0]	URX1N (SSTXN)	DRX1N
					UEQ[1:0]	UTX1P (SSTXP)	DTX1P	UEQ[1:0]	DTX1P	UTX1P (SSRXP)
					UEQ[1:0]	UTX1N (SSTXN)	DTX1N	UEQ[1:0]	DTX1N	UTX1N (SSRXN)
L	L	L	H	H	DEQ[1:0]	DRX2P	URX2P (SSRXP)	DEQ[1:0]	URX2P (SSTXP)	DRX2P
					DEQ[1:0]	DRX2N	URX2N (SSRXN)	DEQ[1:0]	URX2N (SSTXN)	DRX2N
					UEQ[1:0]	UTX2P (SSTXP)	DTX2P	UEQ[1:0]	DTX2P	UTX2P (SSRXP)
					UEQ[1:0]	UTX2N (SSTXN)	DTX2N	UEQ[1:0]	DTX2N	UTX2N (SSRXN)
L	L	H	L	L	UEQ[1:0]	URX2P (DP0P)	DRX2P	UEQ[1:0]	DRX2P	URX2P (DP0P)
					UEQ[1:0]	URX2N (DP0N)	DRX2N	UEQ[1:0]	DRX2N	URX2N (DP0N)
					UEQ[1:0]	UTX2P (DP1P)	DTX2P	UEQ[1:0]	DTX2P	UTX2P (DP1P)
					UEQ[1:0]	UTX2N (DP1N)	DTX2N	UEQ[1:0]	DTX2N	UTX2N (DP1N)
					UEQ[1:0]	UTX1P (DP2P)	DTX1P	UEQ[1:0]	DTX1P	UTX1P (DP2P)
					UEQ[1:0]	UTX1N (DP2N)	DTX1N	UEQ[1:0]	DTX1N	UTX1N (DP2N)
					UEQ[1:0]	URX1P (DP3P)	DRX1P	UEQ[1:0]	DRX1P	URX1P (DP3P)
					UEQ[1:0]	URX1N (DP3N)	DRX1N	UEQ[1:0]	DRX1N	URX1N (DP3N)



**Table 6-4. INPUT to OUTPUT Mapping (continued)**

					SWAP = L			SWAP = H		
DIR1 PIN	DIR0 PIN	CTL1 PIN	CTL0 PIN	FLIP PIN	From Rx EQ Control PINS	From Input PIN	To Output PIN	From Rx EQ Control PINS	From Input PIN	To Output PIN
L	L	H	L	H	UEQ[1:0]	URX1P (DP0P)	DRX1P	UEQ[1:0]	DRX1P	URX1P (DP0P)
					UEQ[1:0]	URX1N (DP0N)	DRX1N	UEQ[1:0]	DRX1N	URX1N (DP0N)
					UEQ[1:0]	UTX1P (DP1P)	DTX1P	UEQ[1:0]	DTX1P	UTX1P (DP1P)
					UEQ[1:0]	UTX1N (DP1N)	DTX1N	UEQ[1:0]	DTX1N	UTX1N (DP1N)
					UEQ[1:0]	UTX2P (DP2P)	DTX2P	UEQ[1:0]	DTX2P	UTX2P (DP2P)
					UEQ[1:0]	UTX2N (DP2N)	DTX2N	UEQ[1:0]	DTX2N	UTX2N (DP2N)
					UEQ[1:0]	URX2P (DP3P)	DRX2P	UEQ[1:0]	DRX2P	URX2P (DP3P)
					UEQ[1:0]	URX2N (DP3N)	DRX2N	UEQ[1:0]	DRX2N	URX2N (DP3N)
L	L	H	H	L	DEQ[1:0]	DRX1P	URX1P (SSRXP)	DEQ[1:0]	URX1P (SSTXP)	DRX1P
					DEQ[1:0]	DRX1N	URX1N (SSRXN)	DEQ[1:0]	URX1N (SSTXN)	DRX1N
					UEQ[1:0]	UTX1P (SSTXP)	DTX1P	UEQ[1:0]	DTX1P	UTX1P (SSRXP)
					UEQ[1:0]	UTX1N (SSTXN)	DTX1N	UEQ[1:0]	DTX1N	UTX1N (SSRXN)
					UEQ[1:0]	URX2P (DP0P)	DRX2P	UEQ[1:0]	DRX2P	URX2P (DP0P)
					UEQ[1:0]	URX2N (DP0N)	DRX2N	UEQ[1:0]	DRX2N	URX2N (DP0N)
					UEQ[1:0]	UTX2P (DP1P)	DTX2P	UEQ[1:0]	DTX2P	UTX2P (DP1P)
					UEQ[1:0]	UTX2N (DP1N)	DTX2N	UEQ[1:0]	DTX2N	UTX2N (DP1N)
L	L	H	H	H	DEQ[1:0]	DRX2P	URX2P (SSRXP)	DEQ[1:0]	URX2P (SSTXP)	DRX2P
					DEQ[1:0]	DRX2N	URX2N (SSRXN)	DEQ[1:0]	URX2N (SSTXN)	DRX2N
					UEQ[1:0]	UTX2P (SSTXP)	DTX2P	UEQ[1:0]	DTX2P	UTX2P (SSRXP)
					UEQ[1:0]	UTX2N (SSTXN)	DTX2N	UEQ[1:0]	DTX2N	UTX2N (SSRXN)
					UEQ[1:0]	URX1P (DP0P)	DRX1P	UEQ[1:0]	DRX1P	URX1P (DP0P)
					UEQ[1:0]	URX1N (DP0N)	DRX1N	UEQ[1:0]	DRX1N	URX1N (DP0N)
					UEQ[1:0]	UTX1P (DP1P)	DTX1P	UEQ[1:0]	DTX1P	UTX1P (DP1P)
					UEQ[1:0]	UTX1N (DP1N)	DTX1N	UEQ[1:0]	DTX1N	UTX1N (DP1N)

USB + DisplayPort Alternate Mode (Sink Side)

**Table 6-4. INPUT to OUTPUT Mapping (continued)**

					SWAP = L			SWAP = H		
					From	From	To	From	From	To
DIR1 PIN	DIR0 PIN	CTL1 PIN	CTL0 PIN	FLIP PIN	Rx EQ Control PINS	Input PIN	Output PIN	Rx EQ Control PINS	Input PIN	Output PIN
L	H	L	L	L	NA	NA	NA	NA	NA	NA
L	H	L	L	H	NA	NA	NA	NA	NA	NA
L	H	L	H	L	UEQ[1:0]	UTX2P	DTX2P (SSRXP)	UEQ[1:0]	DTX2P (SSTXP)	UTX2P
					UEQ[1:0]	UTX2N	DTX2N (SSRXN)	UEQ[1:0]	DTX2N (SSTXN)	UTX2N
					DEQ[1:0]	DRX2P (SSTXP)	URX2P	DEQ[1:0]	URX2P	DRX2P (SSRXP)
					DEQ[1:0]	DRX2N (SSTXN)	URX2N	DEQ[1:0]	URX2N	DRX2N (SSRXN)
L	H	L	H	H	UEQ[1:0]	UTX1P	DTX1P (SSRXP)	UEQ[1:0]	DTX1P (SSTXP)	UTX1P
					UEQ[1:0]	UTX1N	DTX1N (SSRXN)	UEQ[1:0]	DTX1N (SSTXN)	UTX1N
					DEQ[1:0]	DRX1P (SSTXP)	URX1P	DEQ[1:0]	URX1P	DRX1P (SSRXP)
					DEQ[1:0]	DRX1N (SSTXN)	URX1N	DEQ[1:0]	URX1N	DRX1N (SSRXN)
L	H	H	L	L	UEQ[1:0]	URX2P	DRX2P (DP3P)	UEQ[1:0]	DRX2P (DP3P)	URX2P
					UEQ[1:0]	URX2N	DRX2N (DP3N)	UEQ[1:0]	DRX2N (DP3N)	URX2N
					UEQ[1:0]	UTX2P	DTX2P (DP2P)	UEQ[1:0]	DTX2P (DP2P)	UTX2P
					UEQ[1:0]	UTX2N	DTX2N (DP2N)	UEQ[1:0]	DTX2N (DP2N)	UTX2N
					UEQ[1:0]	UTX1P	DTX1P (DP1P)	UEQ[1:0]	DTX1P (DP1P)	UTX1P
					UEQ[1:0]	UTX1N	DTX1N (DP1N)	UEQ[1:0]	DTX1N (DP1N)	UTX1N
					UEQ[1:0]	URX1P	DRX1P (DP0P)	UEQ[1:0]	DRX1P (DP0P)	URX1P
					UEQ[1:0]	URX1N	DRX1N (DP0N)	UEQ[1:0]	DRX1N (DP0N)	URX1N

**Table 6-4. INPUT to OUTPUT Mapping (continued)**

					SWAP = L			SWAP = H		
					From	From	To	From	From	To
DIR1 PIN	DIR0 PIN	CTL1 PIN	CTL0 PIN	FLIP PIN	Rx EQ Control PINS	Input PIN	Output PIN	Rx EQ Control PINS	Input PIN	Output PIN
L	H	H	L	H	UEQ[1:0]	URX1P	DRX1P (DP3P)	UEQ[1:0]	DRX1P (DP3P)	URX1P
					UEQ[1:0]	URX1N	DRX1N (DP3N)	UEQ[1:0]	DRX1N (DP3N)	URX1N
					UEQ[1:0]	UTX1P	DTX1P (DP2P)	UEQ[1:0]	DTX1P (DP2P)	UTX1P
					UEQ[1:0]	UTX1N	DTX1N (DP2N)	UEQ[1:0]	DTX1N (DP2N)	UTX1N
					UEQ[1:0]	UTX2P	DTX2P (DP1P)	UEQ[1:0]	DTX2P (DP1P)	UTX2P
					UEQ[1:0]	UTX2N	DTX2N (DP1N)	UEQ[1:0]	DTX2N (DP1N)	UTX2N
					UEQ[1:0]	URX2P	DRX2P (DP0P)	UEQ[1:0]	DRX2P (DP0P)	URX2P
					UEQ[1:0]	URX2N	DRX2N (DP0N)	UEQ[1:0]	DRX2N (DP0N)	URX2N
L	H	H	H	L	DEQ[1:0]	DRX2P (SSRXP)	URX2P	DEQ[1:0]	URX2P	DRX2P (SSRXP)
					DEQ[1:0]	DRX2N (SSRXN)	URX2N	DEQ[1:0]	URX2N	DRX2N (SSRXN)
					UEQ[1:0]	UTX2P	DTX2P (SSTXP)	UEQ[1:0]	DTX2P (SSTXP)	UTX2P
					UEQ[1:0]	UTX2N	DTX2N (SSTXN)	UEQ[1:0]	DTX2N (SSTXN)	UTX2N
					UEQ[1:0]	URX1P	DRX1P (DP0P)	UEQ[1:0]	DRX1P (DP0P)	URX1P
					UEQ[1:0]	URX1N	DRX1N (DP0N)	UEQ[1:0]	DRX1N (DP0N)	URX1N
					UEQ[1:0]	UTX1P	DTX1P (DP1P)	UEQ[1:0]	DTX1P (DP1P)	UTX1P
					UEQ[1:0]	UTX1N	DTX1N (DP1N)	UEQ[1:0]	DTX1N (DP1N)	UTX1N
L	H	H	H	H	DEQ[1:0]	DRX1P (SSRXP)	URX1P	DEQ[1:0]	URX1P	DRX1P (SSRXP)
					DEQ[1:0]	DRX1N (SSRXN)	URX1N	DEQ[1:0]	URX1N	DRX1N (SSRXN)
					UEQ[1:0]	UTX1P	DTX1P (SSTXP)	UEQ[1:0]	DTX1P (SSTXP)	UTX1P
					UEQ[1:0]	UTX1N	DTX1N (SSTXN)	UEQ[1:0]	DTX1N (SSTXN)	UTX1N
					UEQ[1:0]	URX2P	DRX2P (DP0P)	UEQ[1:0]	DRX2P (DP0P)	URX2P
					UEQ[1:0]	URX2N	DRX2N (DP0N)	UEQ[1:0]	DRX2N (DP0N)	URX2N
					UEQ[1:0]	UTX2P	DTX2P (DP1P)	UEQ[1:0]	DTX2P (DP1P)	UTX2P
					UEQ[1:0]	UTX2N	DTX2N (DP1N)	UEQ[1:0]	DTX2N (DP1N)	UTX2N

USB + Custom Alternate Mode (Source Side)

**Table 6-4. INPUT to OUTPUT Mapping (continued)**

					SWAP = L			SWAP = H		
					From	From	To	From	From	To
DIR1 PIN	DIR0 PIN	CTL1 PIN	CTL0 PIN	FLIP PIN	Rx EQ Control PINS	Input PIN	Output PIN	Rx EQ Control PINS	Input PIN	Output PIN
H	L	L	L	L	NA	NA	NA	NA	NA	NA
H	L	L	L	H	NA	NA	NA	NA	NA	NA
H	L	L	H	L	DEQ[1:0]	DRX1P	URX1P (SSRXP)	DEQ[1:0]	URX1P (SSTXP)	DRX1P
					DEQ[1:0]	DRX1N	URX1N (SSRXN)	DEQ[1:0]	URX1N (SSTXN)	DRX1N
					UEQ[1:0]	UTX1P (SSTXP)	DTX1P	UEQ[1:0]	DTX1P	UTX1P (SSRXP)
					UEQ[1:0]	UTX1N (SSTXN)	DTX1N	UEQ[1:0]	DTX1N	UTX1N (SSRXN)
H	L	L	H	H	DEQ[1:0]	DRX2P	URX2P (SSRXP)	DEQ[1:0]	URX2P (SSTXP)	DRX2P
					DEQ[1:0]	DRX2N	URX2N (SSRXN)	DEQ[1:0]	URX2N (SSTXN)	DRX2N
					UEQ[1:0]	UTX2P (SSTXP)	DTX2P	UEQ[1:0]	DTX2P	UTX2P (SSRXP)
					UEQ[1:0]	UTX2N (SSTXN)	DTX2N	UEQ[1:0]	DTX2N	UTX2N (SSRXN)
H	L	H	L	L	DEQ[1:0]	DRX2P	URX2P (LN1RXP)	DEQ[1:0]	URX2P (LN1RXP)	DRX2P
					DEQ[1:0]	DRX2N	URX2N (LN1RXN)	DEQ[1:0]	URX2N (LN1RXN)	DRX2N
					UEQ[1:0]	UTX2P (LN1TXP)	DTX2P	UEQ[1:0]	DTX2P	UTX2P (LN1TXP)
					UEQ[1:0]	UTX2N (LN1TXN)	DTX2N	UEQ[1:0]	DTX2N	UTX2N (LN1TXN)
					UEQ[1:0]	UTX1P (LN0TXP)	DTX1P	UEQ[1:0]	DTX1P	UTX1P (LN0TXP)
					UEQ[1:0]	UTX1N (LN0TXN)	DTX1N	UEQ[1:0]	DTX1N	UTX1N (LN0TXN)
					DEQ[1:0]	DRX1P	URX1P (LN0RXP)	DEQ[1:0]	URX1P (LN0RXP)	DRX1P
					DEQ[1:0]	DRX1N	URX1N (LN0RXN)	DEQ[1:0]	URX1N (LN0RXN)	DRX1N
H	L	H	L	H	DEQ[1:0]	DRX1P	URX1P (LN1RXP)	DEQ[1:0]	URX1P (LN1RXP)	DRX1P
					DEQ[1:0]	DRX1N	URX1N (LN1RXN)	DEQ[1:0]	URX1N (LN1RXN)	DRX1N
					UEQ[1:0]	UTX1P (LN1TXP)	DTX1P	UEQ[1:0]	DTX1P	UTX1P (LN1TXP)
					UEQ[1:0]	UTX1N (LN1TXN)	DTX1N	UEQ[1:0]	DTX1N	UTX1N (LN1TXN)
					UEQ[1:0]	UTX2P (LN0TXP)	DTX2P	UEQ[1:0]	DTX2P	UTX2P (LN0TXP)
					UEQ[1:0]	UTX2N (LN0TXN)	DTX2N	UEQ[1:0]	DTX2N	UTX2N (LN0TXN)

**Table 6-4. INPUT to OUTPUT Mapping (continued)**

					SWAP = L			SWAP = H		
DIR1 PIN	DIR0 PIN	CTL1 PIN	CTL0 PIN	FLIP PIN	From Rx EQ Control PINS	From Input PIN	To Output PIN	From Rx EQ Control PINS	From Input PIN	To Output PIN
H	L	H	H	L	DEQ[1:0]	DRX2P	URX2P (LN0RXP)	DEQ[1:0]	URX2P (LN0RXP)	DRX2P
					DEQ[1:0]	DRX2N	URX2N (LN0RXN)	DEQ[1:0]	URX2N (LN0RXN)	DRX2N
					DEQ[1:0]	DRX1P	URX1P (SSRXP)	DEQ[1:0]	URX1P (SSTXP)	DRX1P
					DEQ[1:0]	DRX1N	URX1N (SSRXN)	DEQ[1:0]	URX1N (SSTXN)	DRX1N
					UEQ[1:0]	UTX1P (SSTXP)	DTX1P	UEQ[1:0]	DTX1P	UTX1P (SSRXP)
					UEQ[1:0]	UTX1N (SSTXN)	DTX1N	UEQ[1:0]	DTX1N	UTX1N (SSRXN)
					UEQ[1:0]	UTX2P (LN0TXP)	DTX2P	UEQ[1:0]	DTX2P	UTX2P (LN0TXP)
					UEQ[1:0]	UTX2N (LN0TXN)	DTX2N	UEQ[1:0]	DTX2N	UTX2N (LN0TXN)
					DEQ[1:0]	DRX2P	URX2P (LN0RXP)	DEQ[1:0]	URX2P (LN0RXP)	DRX2P
					DEQ[1:0]	DRX2N	URX2N (LN0RXN)	DEQ[1:0]	URX2N (LN0RXN)	DRX2N
H	L	H	H	H	DEQ[1:0]	DRX2P	URX2P (SSRXP)	DEQ[1:0]	URX2P (SSTXP)	DRX2P
					DEQ[1:0]	DRX2N	URX2N (SSRXN)	DEQ[1:0]	URX2N (SSTXN)	DRX2N
					UEQ[1:0]	UTX2P (SSTXP)	DTX2P	UEQ[1:0]	DTX2P	UTX2P (SSRXP)
					UEQ[1:0]	UTX2N (SSTXN)	DTX2N	UEQ[1:0]	DTX2N	UTX2N (SSRXN)
					UEQ[1:0]	UTX1P (LN0TXP)	DTX1P	UEQ[1:0]	DTX1P	UTX1P (LN0TXP)
					UEQ[1:0]	UTX1N (LN0TXN)	DTX1N	UEQ[1:0]	DTX1N	UTX1N (LN0TXN)
					DEQ[1:0]	DRX1P	URX1P (LN0RXP)	DEQ[1:0]	URX1P (LN0RXP)	DRX1P
					DEQ[1:0]	DRX1N	URX1N (LN0RXN)	DEQ[1:0]	URX1N (LN0RXN)	DRX1N
USB + Custom Alternate Mode (Sink Side)										
H	H	L	L	L	NA	NA	NA	NA	NA	NA
H	H	L	L	H	NA	NA	NA	NA	NA	NA
H	H	L	H	L	UEQ[1:0]	UTX2P	DTX2P (SSRXP)	UEQ[1:0]	DTX2P (SSTXP)	UTX2P
					UEQ[1:0]	UTX2N	DTX2N (SSRXN)	UEQ[1:0]	DTX2N (SSTXN)	UTX2N
					DEQ[1:0]	DRX2P (SSTXP)	URX2P	DEQ[1:0]	URX2P	DRX2P (SSRXP)
					DEQ[1:0]	DRX2N (SSTXN)	URX2N	DEQ[1:0]	URX2N	DRX2N (SSRXN)

**Table 6-4. INPUT to OUTPUT Mapping (continued)**

					SWAP = L			SWAP = H		
					From	From	To	From	From	To
DIR1 PIN	DIR0 PIN	CTL1 PIN	CTL0 PIN	FLIP PIN	Rx EQ Control PINS	Input PIN	Output PIN	Rx EQ Control PINS	Input PIN	Output PIN
H	H	L	H	H	UEQ[1:0]	UTX1P	DTX1P (SSRXP)	UEQ[1:0]	DTX1P (SSTXP)	UTX1P
					UEQ[1:0]	UTX1N	DTX1N (SSRXN)	UEQ[1:0]	DTX1N (SSTXN)	UTX1N
					DEQ[1:0]	DRX1P (SSTXP)	URX1P	DEQ[1:0]	URX1P	DRX1P (SSRXP)
					DEQ[1:0]	DRX1N (SSTXN)	URX1N	DEQ[1:0]	URX1N	DRX1N (SSRXN)
H	H	H	L	L	DEQ[1:0]	DRX2P	URX2P (LN1TXP)	DEQ[1:0]	URX2P (LN1TXP)	DRX2P
					DEQ[1:0]	DRX2N	URX2N (LN1TXN)	DEQ[1:0]	URX2N (LN1TXN)	DRX2N
					UEQ[1:0]	UTX2P (LN1RXP)	DTX2P	UEQ[1:0]	DTX2P	UTX2P (LN1RXP)
					UEQ[1:0]	UTX2N (LN1RXN)	DTX2N	UEQ[1:0]	DTX2N	UTX2N (LN1RXN)
					UEQ[1:0]	UTX1P (LN0RXP)	DTX1P	UEQ[1:0]	DTX1P	UTX1P (LN0RXP)
					UEQ[1:0]	UTX1N (LN0RXN)	DTX1N	UEQ[1:0]	DTX1N	UTX1N (LN0RXN)
					DEQ[1:0]	DRX1P	URX1P (LN0RXP)	DEQ[1:0]	URX1P (LN0RXP)	DRX1P
					DEQ[1:0]	DRX1N	URX1N (LN0RXN)	DEQ[1:0]	URX1N (LN0RXN)	DRX1N
H	H	H	L	H	DEQ[1:0]	DRX2P	URX2P (LN0RXP)	DEQ[1:0]	URX2P (LN0RXP)	DRX2P
					DEQ[1:0]	DRX2N	URX2N (LN0RXN)	DEQ[1:0]	URX2N (LN0RXN)	DRX2N
					UEQ[1:0]	UTX2P (LN0RXP)	DTX2P	UEQ[1:0]	DTX2P	UTX2P (LN0RXP)
					UEQ[1:0]	UTX2N (LN0RXN)	DTX2N	UEQ[1:0]	DTX2N	UTX2N (LN0RXN)
					UEQ[1:0]	UTX1P (LN0RXP)	DTX1P	UEQ[1:0]	DTX1P	UTX1P (LN0RXP)
					UEQ[1:0]	UTX1N (LN0RXN)	DTX1N	UEQ[1:0]	DTX1N	UTX1N (LN0RXN)
					DEQ[1:0]	DRX1P	URX1P (LN0TXP)	DEQ[1:0]	URX1P (LN0TXP)	DRX1P
					DEQ[1:0]	DRX1N	URX1N (LN0TXN)	DEQ[1:0]	URX1N (LN0TXN)	DRX1N

**Table 6-4. INPUT to OUTPUT Mapping (continued)**

					SWAP = L			SWAP = H		
					From	From	To	From	From	To
DIR1 PIN	DIR0 PIN	CTL1 PIN	CTL0 PIN	FLIP PIN	Rx EQ Control PINS	Input PIN	Output PIN	Rx EQ Control PINS	Input PIN	Output PIN
H	H	H	H	L	UEQ[1:0]	UTX2P	DTX2P (SSRXP)	UEQ[1:0]	DTX2P (SSTXP)	UTX2P
					UEQ[1:0]	UTX2N	DTX2N (SSRXN)	UEQ[1:0]	DTX2N (SSTXN)	UTX2N
					DEQ[1:0]	DRX2P (SSTXP)	URX2P	DEQ[1:0]	URX2P	DRX2P (SSRXP)
					DEQ[1:0]	DRX2N (SSTXN)	URX2N	DEQ[1:0]	URX2N	DRX2N (SSRXN)
					UEQ[1:0]	UTX1P	DTX1P (LN0RXP)	UEQ[1:0]	DTX1P (LN0RXP)	UTX1P
					UEQ[1:0]	UTX1N	DTX1N(LN0RXN)	UEQ[1:0]	DTX1N(LN0RXN)	UTX1N
					DEQ[1:0]	DRX1P (LN0TXP)	URX1P	DEQ[1:0]	URX1P	DRX1P (LN0TXP)
					DEQ[1:0]	DRX1N (LN0TXN)	URX1N	DEQ[1:0]	URX1N	DRX1N (LN0TXN)
H	H	H	H	H	UEQ[1:0]	UTX1P	DTX1P (SSRXP)	UEQ[1:0]	DTX1P (SSSXP)	UTX1P
					UEQ[1:0]	UTX1N	DTX1N (SSRXN)	UEQ[1:0]	DTX1N (SSSXN)	UTX1N
					DEQ[1:0]	DRX1P (SSTXP)	URX1P	DEQ[1:0]	URX1P	DRX1P (SSRXP)
					DEQ[1:0]	DRX1N (SSTXN)	URX1N	DEQ[1:0]	URX1N	DRX1N (SSRXN)
					DEQ[1:0]	DRX2P	URX2P (LN0TXP)	DEQ[1:0]	URX2P (LN0TXP)	DRX2P
					DEQ[1:0]	DRX2N	URX2N (LN0TXN)	DEQ[1:0]	URX2N (LN0TXN)	DRX2N
					UEQ[1:0]	UTX2P (LN0RXP)	DTX2P	UEQ[1:0]	DTX2P	UTX2P (LN0RXP)
					UEQ[1:0]	UTX2N (LN0RXN)	DTX2N	UEQ[1:0]	DTX2N	UTX2N (LN0RXN)

### 6.4.2 Device Configuration in I2C Mode

The TUSB1044 is in I2C mode when I2C\_EN is equal to “1”. The same configurations defined in GPIO mode are also available in I2C mode. The TUSB1044 USB3.1, DisplayPort, and custom Alternate Mode configuration is controlled based on [Table 6-5](#). The AUXP/N to SBU1/2 mapping control is based on [Table 6-5](#).

**Table 6-5. I2C Configuration Control**

Registers					TUSB1044 Configuration	VESA DisplayPort Alt Mode DFP_D Configuration
DIRSEL1	DIRSEL0	CTLSEL1	CTLSEL0	FLIPSEL		
USB + DisplayPort Alternate Mode (Source Side)						
L	L	L	L	L	Power Down	–
L	L	L	L	H	Power Down	–
L	L	L	H	L	One Port USB 3.1 - No Flip	–
L	L	L	H	H	One Port USB 3.1 – With Flip	–
L	L	H	L	L	4 Lane DP - No Flip	C and E
L	L	H	L	H	4 Lane DP – With Flip	C and E

**Table 6-5. I2C Configuration Control (continued)**

Registers					TUSB1044 Configuration	VESA DisplayPort Alt Mode DFP_D Configuration
DIRSEL1	DIRSEL0	CTLSEL1	CTLSEL0	FLIPSEL		
L	L	H	H	L	One Port USB 3.1 + 2 Lane DP- No Flip	D and F
L	L	H	H	H	One Port USB 3.1 + 2 Lane DP- With Flip	D and F
USB + DisplayPort Alternate Mode (Sink Side)						
L	H	L	L	L	Power Down	–
L	H	L	L	H	Power Down	–
L	H	L	H	L	One Port USB 3.1 - No Flip	–
L	H	L	H	H	One Port USB 3.1 – With Flip	–
L	H	H	L	L	4 Lane DP - No Flip	C and E
L	H	H	L	H	4 Lane DP – With Flip	C and E
L	H	H	H	L	One Port USB 3.1 + 2 Lane DP- No Flip	D and F
L	H	H	H	H	One Port USB 3.1 + 2 Lane DP- With Flip	D and F
USB + Custom Alternate Mode (Source Side)						
H	L	L	L	L	Power Down	–
H	L	L	L	H	Power Down	–
H	L	L	H	L	One Port USB 3.1 - No Flip	–
H	L	L	H	H	One Port USB 3.1 – With Flip	–
H	L	H	L	L	4 Channel Custom Alt Mode - No Flip	–
H	L	H	L	H	4 Channel Custom Alt Mode– With Flip	–
H	L	H	H	L	One Port USB 3.1 + 2 Channel Custom Alt Mode- No Flip	–
H	L	H	H	H	One Port USB 3.1 + 2 Channel Custom Alt Mode – With Flip	–
USB + Custom Alternate Mode (Sink Side)						
H	H	L	L	L	Power Down	–
H	H	L	L	H	Power Down	–
H	H	L	H	L	One Port USB 3.1 - No Flip	–
H	H	L	H	H	One Port USB 3.1 – With Flip	–
H	H	H	L	L	4 Channel Custom Alt Mode - No Flip	–
H	H	H	L	H	4 Channel Custom Alt Mode– With Flip	–
H	H	H	H	L	One Port USB 3.1 + 2 Channel Custom Alt Mode- No Flip	–
H	H	H	H	H	One Port USB 3.1 + 2 Channel Custom Alt Mode – With Flip	–



**Table 6-6. I2C AUXP/N to SBU1/2 Mapping**

Registers			
AUX_SBU_OVR	CTLSEL1	FLIPSEL	Mapping
00	H	L	AUXp -> SBU1 AUXn -> SBU2
00	H	H	AUXp -> SBU2 AUXn -> SBU1
00	L	X	Open
01	X	X	AUXp -> SBU1 AUXn -> SBU2
10	X	X	AUXp -> SBU2 AUXn -> SBU1
11	X	X	Open

### 6.4.3 DisplayPort Mode

The TUSB1044 supports up to four DisplayPort lanes at data rates up to 10.0 Gbps. TUSB1044 can be enabled for DisplayPort through GPIO control or through I2C register control. When in GPIO mode, DisplayPort is controlled based on [Table 6-2](#). When not in GPIO mode, enable of DisplayPort functionality is controlled through I2C registers.

### 6.4.4 Custom Alternate Mode

The TUSB1044 supports up to two lanes (or 4 channels) of custom Alternate Mode at data rates up to 10 Gbps. TUSB1044 can be enabled for custom Alternate Mode through GPIO control or through I2C register control. Custom Alternate mode is not supported for GPIO mode which has AUX snoop disabled. When in GPIO mode, custom Alternate Mode is controlled based on [Table 6-2](#). When not in GPIO mode, enable of custom Alternate Mode functionality is controlled through I2C registers. In I2C mode, the operation of this mode requires leaving AUX\_SNOOP\_DISABLE register 13h bit 7 at 0.

### 6.4.5 Linear EQ Configuration

TUSB1044 receiver lanes have controls for receiver equalization for upstream and downstream facing ports. The receiver equalization gain value can be controlled either through I2C registers or through GPIOs. [Table 6-7](#) details the gain value for each available combination when TUSB1044 is in GPIO mode. These same options are also available per channel and for upstream and downstream facing ports in I2C mode by updating registers URX[2:1]EQ\_SEL, UTX[2:1]EQ\_SEL, DRX[2:1]EQ\_SEL, and DTX[2:1]EQ\_SEL.

**Table 6-7. TUSB1044 Receiver Equalization GPIO Control**

EQ Setting #	Downstream Facing Ports using 1100mV linearity setting				Upstream Facing Port using 1100mV linearity setting			
	DEQ1 pin Level	DEQ0 pin Level	EQ GAIN 5GHz (dB)	EQ GAIN 4.05GHz (dB)	UEQ1 pin Level	UEQ0 pin Level	EQ GAIN 5GHz (dB)	EQ GAIN 4.05GHz (dB)
0	0	0	-2.1	-1.4	0	0	-4.4	-3.3
1	0	R	0	0.4	0	R	-2.2	-1.5
2	0	F	1.5	1.7	0	F	0.7	0.0
3	0	1	3.0	3.2	0	1	0.9	1.4
4	R	0	4.0	4.1	R	0	1.9	2.4
5	R	R	5.0	5.2	R	R	3.0	3.5
6	R	F	5.9	6.1	R	F	3.8	4.3
7	R	1	6.7	6.9	R	1	4.7	5.2
8	F	0	7.4	7.7	F	0	5.4	6.0
9	F	R	8.0	8.3	F	R	6.0	6.6
10	F	F	8.5	8.8	F	F	6.5	7.2
11	F	1	9.0	9.4	F	1	7.1	7.7

**Table 6-7. TUSB1044 Receiver Equalization GPIO Control (continued)**

	Downstream Facing Ports using 1100mV linearity setting				Upstream Facing Port using 1100mV linearity setting			
12	1	0	9.4	9.8	1	0	7.5	8.1
13	1	R	9.8	10.3	1	R	7.9	8.6
14	1	F	10.1	10.6	1	F	8.3	9.0
15	1	1	10.5	11.0	1	1	8.6	9.4

#### 6.4.6 Adjustable VOD Linear Range and DC Gain

The CFG0 and CFG1 pins can be used to adjust the TUSB1044 differential output voltage (VOD) swing linear range and receiver equalization DC gain for both downstream and upstream data path directions. [Table 6-8](#) details the available options.

**Table 6-8. VOD Linear Range and DC Gain**

Setting #	CFG1 pin Level	CFG0 pin Level	Downstream DC Gain (dB)	Upstream DC Gain (dB)	Downstream VOD Linear Range (mVpp)	Upstream VOD Linear Range (mVpp)
0	0	0	1	0	900	900
1	0	R	0	1	900	900
2	0	F	0	0	900	900
3	0	1	1	1	900	900
4	R	0	0	0	1100	1100
5	R	R	1	0	1100	1100
6	R	F	0	1	1100	1100
7	R	1	2	2	1100	1100
8	F	0	Reserved	Reserved	Reserved	Reserved
9	F	R	Reserved	Reserved	Reserved	Reserved
10	F	F	0	0	1300	1300
11	F	1	Reserved	Reserved	Reserved	Reserved
12	1	0	Reserved	Reserved	Reserved	Reserved
13	1	R	Reserved	Reserved	Reserved	Reserved
14	1	F	Reserved	Reserved	Reserved	Reserved
15	1	1	Reserved	Reserved	Reserved	Reserved

#### 6.4.7 USB3.1 Modes

The TUSB1044 monitors the physical layer conditions like receiver termination, electrical idle, LFPS, and SuperSpeed signaling rate to determine the state of the USB3.1 interface. Depending on the state of the USB 3.1 interface, the TUSB1044 can be in one of four primary modes of operation when USB 3.1 is enabled (CTL0 = H or CTLSEL0 = 1b1): Disconnect, U2/U3, U1, and U0.

The Disconnect mode is the state in which TUSB1044 has not detected far-end termination on both upstream facing port (UFP) or downstream facing port (DFP). The disconnect mode is the lowest power mode of each of the four modes. The TUSB1044 remains in this mode until far-end receiver termination has been detected on both UFP and DFP. The TUSB1044 immediately exits this mode and enter U0 once far-end termination is detected.

Once in U0 mode, the TUSB1044 redrives all traffic received on UFP and DFP. U0 is the highest power mode of all USB3.1 modes. The TUSB1044 remains in U0 mode until electrical idle occurs on both UFP and DFP. Upon detecting electrical idle, the TUSB1044 immediately transitions to U1.

The U1 mode is the intermediate mode between U0 mode and U2/U3 mode. In U1 mode, the TUSB1044 UFP and DFP receiver termination remain enabled. The UFP and DFP transmitter DC common mode is maintained. The power consumption in U1 is similar to power consumption of U0.

Next to the disconnect mode, the U2 and U3 mode is next lowest power state. While in this mode, the TUSB1044 periodically performs far-end receiver detection. Anytime the far-end receiver termination is not detected on either UFP or DFP, the TUSB1044 leaves the U2 and U3 mode and transition to the Disconnect mode. It also monitors for a valid LFPS. Upon detection of a valid LFPS, the TUSB1044 immediately transitions to the U0 mode. In U2 and U3 mode, the TUSB1044 receiver terminations remains enabled, but the TX DC common mode voltage is not maintained.

When SLP\_S0# is asserted low, it disables Receiver Detect functionality. While SLP\_S0# is low and TUSB1044 is in U2 and U3, TUSB1044 disables LOS and LFPS detection circuitry and RX termination for both channels remains enabled. This allows even lower TUSB1044 power consumption while in the U2 and U3 mode. Once SLP\_S0# is asserted high, the TUSB1044 will again start performing far-end receiver detection as well as monitor LFPS so it can know when to exit the U2 and U3 mode.

When SLP\_S0# is asserted low and the TUSB1044 is in Disconnect mode, the TUSB1044 will remain in Disconnect mode and never perform far-end receiver detection. This allows even lower TUSB1044 power consumption while in the Disconnect mode. Once SLP\_S0# is asserted high, the TUSB1044 will again start performing far-end receiver detection so it can know when to exit the Disconnect mode.

## 6.5 Programming

For further programmability, the TUSB1044 can be controlled using I<sup>2</sup>C. The SCL and SDA terminals are used for I<sup>2</sup>C clock and I<sup>2</sup>C data respectively.

**Table 6-9. I2C Slave Address**

TUSB1044 I2C Slave Address									
UEQ1/A1 Pin Level	UEQ0/A0 Pin Level	Bit 7 (MSB)	Bit 6	Bit 5	Bit 4	Bit 3	Bit 2	Bit 1	Bit 0 (W/R)
0	0	1	0	0	0	1	0	0	0/1
0	R	1	0	0	0	1	0	1	0/1
0	F	1	0	0	0	1	1	0	0/1
0	1	1	0	0	0	1	1	1	0/1
R	0	0	1	0	0	0	0	0	0/1
R	R	0	1	0	0	0	0	1	0/1
R	F	0	1	0	0	0	1	0	0/1
R	1	0	1	0	0	0	1	1	0/1
F	0	0	0	1	0	0	0	0	0/1
F	R	0	0	1	0	0	0	1	0/1
F	F	0	0	1	0	0	1	0	0/1
F	1	0	0	1	0	0	1	1	0/1
1	0	0	0	0	1	1	0	0	0/1
1	R	0	0	0	1	1	0	1	0/1
1	F	0	0	0	1	1	1	0	0/1
1	1	0	0	0	1	1	1	1	0/1

### 6.5.1 Use The Following Procedure to Write to TUSB1044 I<sup>2</sup>C Registers:

1. The master initiates a write operation by generating a start condition (S), followed by the TUSB1044 7-bit address and a zero-value “W/R” bit to indicate a write cycle .
2. The TUSB1044 acknowledges the address cycle.
3. The master presents the sub-address (I<sup>2</sup>C register within TUSB1044) to be written, consisting of one byte of data, MSB-first.

4. The TUSB1044 acknowledges the sub-address cycle.
5. The master presents the first byte of data to be written to the I<sup>2</sup>C register.
6. The TUSB1044 acknowledges the byte transfer.
7. The master may continue presenting additional bytes of data to be written, with each byte transfer completing with an acknowledge from the TUSB1044.
8. The master terminates the write operation by generating a stop condition (P).

#### **6.5.2 Use The Following Procedure to Read the TUSB1044 I<sup>2</sup>C Registers:**

1. The master initiates a read operation by generating a start condition (S), followed by the TUSB1044 7-bit address and a one-value “W/R” bit to indicate a read cycle
2. The TUSB1044 acknowledges the address cycle.
3. The TUSB1044 transmit the contents of the memory registers MSB-first starting at register 00h or last read sub-address+1. If a write to the T I<sup>2</sup>C register occurred prior to the read, then the TUSB1044 shall start at the sub-address specified in the write.
4. The TUSB1044 shall wait for either an acknowledge (ACK) or a not-acknowledge (NACK) from the master after each byte transfer; the I<sup>2</sup>C master acknowledges reception of each data byte transfer.
5. If an ACK is received, the TUSB1044 transmits the next byte of data.
6. The master terminates the read operation by generating a stop condition (P).

#### **6.5.3 Use The Following Procedure for Setting a Starting Sub-Address for I<sup>2</sup>C Reads:**

1. The master initiates a write operation by generating a start condition (S), followed by the TUSB1044 7-bit address and a zero-value “W/R” bit to indicate a write cycle.
2. The TUSB1044 acknowledges the address cycle.
3. The master presents the sub-address (I<sup>2</sup>C register within TUSB1044) to be written, consisting of one byte of data, MSB-first.
4. The TUSB1044 acknowledges the sub-address cycle.
5. The master terminates the write operation by generating a stop condition (P).

---

#### **Note**

If no sub-addressing is included for the read procedure, and reads start at register offset 00h and continue byte by byte through the registers until the I<sup>2</sup>C master terminates the read operation. If a I<sup>2</sup>C address write occurred prior to the read, then the reads start at the sub-address specified by the address write.

---

## 6.6 Register Maps

### 6.6.1 TUSB1044 Registers

Table 6-10 lists the memory-mapped registers for the TUSB1044. All register offset addresses not listed in Table 6-10 should be considered as reserved locations and the register contents should not be modified.

**Table 6-10. TUSB1044 Registers**

Offset	Acronym	Register Name	Section
Ah	General_1	General Registers 1	<a href="#">Go</a>
Bh	General_2	General Registers 2	<a href="#">Go</a>
Ch	General_3	General Registers 3	<a href="#">Go</a>
10h	UFP2_EQ	UFP2 EQ Control	<a href="#">Go</a>
11h	UFP1_EQ	UFP1 EQ Control	<a href="#">Go</a>
12h	DisplayPort_1	AUX Snoop Status	<a href="#">Go</a>
13h	DisplayPort_2	DP Lane Enable/Disable Control	<a href="#">Go</a>
1Bh	SOFT_RESET	I2C and DPCD Soft Resets	<a href="#">Go</a>
20h	DFP2_EQ	DFP2 EQ Control	<a href="#">Go</a>
21h	DFP1_EQ	DFP1 EQ Control	<a href="#">Go</a>
22h	USB3_MISC	Misc USB3 Controls	<a href="#">Go</a>
23h	USB3_LOS	USB3 LOS Threshold Controls	<a href="#">Go</a>

Complex bit access types are encoded to fit into small table cells. Table 6-11 shows the codes that are used for access types in this section.

**Table 6-11. TUSB1044 Access Type Codes**

Access Type	Code	Description
Read Type		
R	R	Read
RH	H R	Set or cleared by hardware Read
Write Type		
H	H	Set or cleared by hardware
W	W	Write
WSH	H W WS	Set or cleared by hardware Write
Reset or Default Value		
-n		Value after reset or the default value
Register Array Variables		
i,j,k,l,m,n		When these variables are used in a register name, an offset, or an address, they refer to the value of a register array where the register is part of a group of repeating registers. The register groups form a hierarchical structure and the array is represented with a formula.
y		When this variable is used in a register name, an offset, or an address it refers to the value of a register array.

### 6.6.1.1 General\_1 Register (Offset = Ah) [reset = 1h]

General\_1 is shown in [Figure 6-1](#) and described in [Table 6-12](#).

Return to [Summary Table](#).

**Figure 6-1. General\_1 Register**

7	6	5	4	3	2	1	0
RESERVED	RESERVED	SWAP_SEL	EQ_OVERRIDE	HPDIN_OVERR IDE	FLIP_SEL	CTLSEL[1:0]	
R-0h	R/W-0h	R/W-0h	R/W-0h	R/W-0h	R/W-0h	R/W-1h	

**Table 6-12. General\_1 Register Field Descriptions**

Bit	Field	Type	Reset	Description
7	RESERVED	R	0h	Reserved
6	RESERVED	R/W	0h	Reserved
5	SWAP_SEL	R/W	0h	Setting this field performs a global direction swap on all the channels. 0h = Channel directions and EQ settings are in normal mode 1h = Reverse all channel directions and EQ settings for the input ports.
4	EQ_OVERRIDE	R/W	0h	Setting this field will allow software to use EQ settings from registers instead of value sampled from pins. 0h = EQ settings based on sampled state of EQ pins. 1h = EQ settings based on programmed value of each of the EQ registers.
3	HPDIN_OVERRIDE	R/W	0h	Overrides HPDIN pin state. 0h = HPD_IN based on HPD_IN pin. 1h = HPD_IN high.
2	FLIP_SEL	R/W	0h	FLIPSEL 0h = Normal Orientation 1h = Flip orientation.
1-0	CTLSEL[1:0]	R/W	1h	Controls the DP and USB modes. 0h = Disabled. All RX and TX for USB3 and DisplayPort are disabled. 1h = USB3.1 only enabled. 2h = Four Lanes of DisplayPort enabled. 3h = USB3.1 and Two DisplayPort Lanes.

### 6.6.1.2 General\_2 Register (Offset = Bh) [reset = 0h]

General\_2 is shown in [Figure 6-2](#) and described in [Table 6-13](#).

Return to [Summary Table](#).

**Figure 6-2. General\_2 Register**

7	6	5	4	3	2	1	0
RESERVED				CH_SWAP_SEL			
R-0h				R/W-0h			

**Table 6-13. General\_2 Register Field Descriptions**

Bit	Field	Type	Reset	Description
7-4	RESERVED	R	0h	Reserved
3-0	CH_SWAP_SEL	R/W	0h	Swaps direction (TX to Rx and Rx to Tx) and EQ settings of individual channels. Channels are numbered from 0 to 3. 1 bit per lane. 0h = Channel and EQ settings normal. 1h = Reverse channel direction and EQ setting.

### 6.6.1.3 General\_3 Register (Offset = Ch) [reset = 0h]

General\_3 is shown in [Figure 6-3](#) and described in [Table 6-14](#).

Return to [Summary Table](#).

**Figure 6-3. General\_3 Register**

7	6	5	4	3	2	1	0
RESERVED	VOD_DCGAIN_OVERRIDE	VOD_DCGAIN_SEL				DIR_SEL	
R-0h	R/W-0h	R/W-0h				R/W-0h	

**Table 6-14. General\_3 Register Field Descriptions**

Bit	Field	Type	Reset	Description
7	RESERVED	R	0h	Reserved
6	VOD_DCGAIN_OVERRIDE	R/W	0h	Setting of this field will allow software to use VOD linearity range and DC gain settings from registers instead of value sampled from pins 0h = VOD linearity and DC gain settings based on sampled CFG[2:1] pins. 1h = EQ settings based on programmed value of each VOD linearity and DC Gain registers.
5-2	VOD_DCGAIN_SEL	R/W	0h	Field selects VOD linearity range and DC gain for all the channels and in all directions. When VOD_DCGAIN_OVERRIDE = 0b, this field reflects the sampled state of CFG[1:0] pins. When VOD_DCGAIN_OVERRIDE = 1b software can change the VOD linearity range and DC gain for all the channels and in all directions based on value written to this field. Each CFG is a 2-bit value. The register-to-CFG1/0 mapping is: [5:2] = {CFG1[1:0], CFG0[1:0]} where CFGx[1:0] mapping is: 0h = 0 1h = R 2h = F 3h = 1

**Table 6-14. General\_3 Register Field Descriptions (continued)**

Bit	Field	Type	Reset	Description
1-0	DIR_SEL	R/W	0h	Sets the operation mode. 0h = USB + DP Alt Mode Source 1h = USB + DP Alt Mode Sink. 2h = USB + Custom Alt Mode Source 3h = USB + Custom Alt Mode Sink.

**6.6.1.4 UFP2\_EQ Register (Offset = 10h) [reset = 0h]**

UFP2\_EQ is shown in [Figure 6-4](#) and described in [Table 6-15](#).

Return to [Summary Table](#).

**Figure 6-4. UFP2\_EQ Register**

7	6	5	4	3	2	1	0
UTX2EQ_SEL				URX2EQ_SEL			
R/W-0h				R/W-0h			

**Table 6-15. UFP2\_EQ Register Field Descriptions**

Bit	Field	Type	Reset	Description
7-4	UTX2EQ_SEL	R/W	0h	Field selects EQ for UTX2P/N pins. When EQ_OVERRIDE = 0b, this field reflects the sampled state of UEQ[1:0] pins. When EQ_OVERRIDE = 1b, software can change the EQ setting for UTX2P/N pins based on value written to this field.
3-0	URX2EQ_SEL	R/W	0h	Field selects EQ for URX2P/N pins. When EQ_OVERRIDE = 0b, this field reflects the sampled state of UEQ[1:0] pins. When EQ_OVERRIDE = 1b, software can change the EQ setting for URX2P/N pins based on value written to this field.

**6.6.1.5 UFP1\_EQ Register (Offset = 11h) [reset = 0h]**

UFP1\_EQ is shown in [Figure 6-5](#) and described in [Table 6-16](#).

Return to [Summary Table](#).

**Figure 6-5. UFP1\_EQ Register**

7	6	5	4	3	2	1	0
UTX1EQ_SEL				URX1EQ_SEL			
R/W-0h				R/W-0h			

**Table 6-16. UFP1\_EQ Register Field Descriptions**

Bit	Field	Type	Reset	Description
7-4	UTX1EQ_SEL	R/W	0h	Field selects EQ for UTX1P/N pins. When EQ_OVERRIDE = 0b, this field reflects the sampled state of UEQ[1:0] pins. When EQ_OVERRIDE = 1b, software can change the EQ setting for UTX1P/N pins based on value written to this field.
3-0	URX1EQ_SEL	R/W	0h	Field selects EQ for URX1P/N pins. When EQ_OVERRIDE = 0b, this field reflects the sampled state of UEQ[1:0] pins. When EQ_OVERRIDE = 1b, software can change the EQ setting for URX1P/N pins based on value written to this field.



### 6.6.1.6 DisplayPort\_1 Register (Offset = 12h) [reset = 0h]

DisplayPort\_1 is shown in [Figure 6-6](#) and described in [Table 6-17](#).

Return to [Summary Table](#).

**Figure 6-6. DisplayPort\_1 Register**

7	6	5	4	3	2	1	0
RESERVED	SET_POWER_STATE		LANE_COUNT_SET				
R-0h	RH-0h		RH-0h				

**Table 6-17. DisplayPort\_1 Register Field Descriptions**

Bit	Field	Type	Reset	Description
7	RESERVED	R	0h	Reserved
6-5	SET_POWER_STATE	RH	0h	This field represents the snooped value of the AUX write to DPCD address 0x00600. When AUX_SNOOP_DISABLE = 0b, the enable/disable of DP lanes based on the snooped value. When AUX_SNOOP_DISABLE = 1b, then DP lane enable/disable are determined by state of DPx_DISABLE registers, where x = 0, 1, 2, or 3. This field is reset to 0h by hardware when CTLSEL1 changes from a 1b to a 0b.
4-0	LANE_COUNT_SET	RH	0h	This field represents the snooped value of AUX write to DPCD address 0x00101 register. When AUX_SNOOP_DISABLE = 0b, DP lanes enabled specified by the snoop value. Unused DP lanes will be disabled to save power. When AUX_SNOOP_DISABLE = 1b, then DP lanes enable/disable are determined by DPx_DISABLE registers, where x = 0, 1, 2, or 3. This field is reset to 0h by hardware when CTLSEL1 changes from a 1b to a 0b.

### 6.6.1.7 DisplayPort\_2 Register (Offset = 13h) [reset = 0h]

DisplayPort\_2 is shown in [Figure 6-7](#) and described in [Table 6-18](#).

Return to [Summary Table](#).

**Figure 6-7. DisplayPort\_2 Register**

7	6	5	4	3	2	1	0
AUX_SNOOP_DISABLE	RESERVED	AUX_SBU_OVR		DP3_DISABLE	DP2_DISABLE	DP1_DISABLE	DP0_DISABLE
R/W-0h	R-0h	R/W-0h		R/W-0h	R/W-0h	R/W-0h	R/W-0h

**Table 6-18. DisplayPort\_2 Register Field Descriptions**

Bit	Field	Type	Reset	Description
7	AUX_SNOOP_DISABLE	R/W	0h	Controls whether DP lanes are enabled based on AUX snooped value or registers. 0h = AUX snoop enabled. 1h = AUX snoop disabled. DP lanes are controlled by registers.
6	RESERVED	R	0h	Reserved
5-4	AUX_SBU_OVR	R/W	0h	This field overrides the AUXP/N to SBU1/2 connect and disconnect based on CTL1 and FLIP. Changing this field to 1b will allow traffic to pass through AUX to SBU regardless of the state of CTLSEL1 and FLIPSEL register. 0h = AUX to SBU connection determined by CTLSEL1 and FLIPSEL 1h = AUXP -> SBU1 and AUXN -> SBU2 2h = AUXP -> SBU2 and AUXN -> SBU1 3h = AUX to SBU open.
3	DP3_DISABLE	R/W	0h	When AUX_SNOOP_DISABLE = 1b, this field can be used to enable or disable DP lane 3. When AUX_SNOOP_DISABLE = 0b, changes to this field will have no effect on lane 3 functionality. 0h = DP Lane 3 enabled. 1h = DP Lane 3 disabled.
2	DP2_DISABLE	R/W	0h	When AUX_SNOOP_DISABLE = 1b, this field can be used to enable or disable DP lane 2. When AUX_SNOOP_DISABLE = 0b, changes to this field will have no effect on lane 2 functionality. 0h = DP Lane 2 enabled. 1h = DP Lane 2 disabled.
1	DP1_DISABLE	R/W	0h	When AUX_SNOOP_DISABLE = 1b, this field can be used to enable or disable DP lane 1. When AUX_SNOOP_DISABLE = 0b, changes to this field will have no effect on lane 1 functionality. 0h = DP Lane 1 enabled. 1h = DP Lane 1 disabled.
0	DP0_DISABLE	R/W	0h	When AUX_SNOOP_DISABLE = 1b, this field can be used to enable or disable DP lane 0. When AUX_SNOOP_DISABLE = 0b, changes to this field will have no effect on lane 0 functionality. 0h = DP Lane 0 enabled. 1h = DP Lane 0 disabled.

### 6.6.1.8 SOFT\_RESET Register (Offset = 1Bh) [reset = 0h]

SOFT\_RESET is shown in [Figure 6-8](#) and described in [Table 6-19](#).

Return to [Summary Table](#).

**Figure 6-8. SOFT\_RESET Register**

7	6	5	4	3	2	1	0
I2C_RST	DPCD_RST	RESERVED					
RH/WS-0h	RH/WS-0h	R-0h					

**Table 6-19. SOFT\_RESET Register Field Descriptions**

Bit	Field	Type	Reset	Description
7	I2C_RST	RH/WS	0h	Resets I2C registers to default values. This field is self-clearing.
6	DPCD_RST	RH/WS	0h	Resets DPCD registers to default values. This field is self-clearing.
5-0	RESERVED	R	0h	Reserved

### 6.6.1.9 DFP2\_EQ Register (Offset = 20h) [reset = 0h]

DFP2\_EQ is shown in [Figure 6-9](#) and described in [Table 6-20](#).

Return to [Summary Table](#).

**Figure 6-9. DFP2\_EQ Register**

7	6	5	4	3	2	1	0
DTX2EQ_SEL				DRX2EQ_SEL			
R/W-0h				R/W-0h			

**Table 6-20. DFP2\_EQ Register Field Descriptions**

Bit	Field	Type	Reset	Description
7-4	DTX2EQ_SEL	R/W	0h	Field selects EQ for DTX2P/N pins. When EQ_OVERRIDE = 0b, this field reflects the sampled state of DEQ[1:0] pins. When EQ_OVERRIDE = 1b, software can change the EQ setting for DTX2P/N pins based on value written to this field.
3-0	DRX2EQ_SEL	R/W	0h	Field selects EQ for DRX2P/N pins. When EQ_OVERRIDE = 0b, this field reflects the sampled state of DEQ[1:0] pins. When EQ_OVERRIDE = 1b, software can change the EQ setting for DRX2P/N pins based on value written to this field.

### 6.6.1.10 DFP1\_EQ Register (Offset = 21h) [reset = 0h]

DFP1\_EQ is shown in [Figure 6-10](#) and described in [Table 6-21](#).

Return to [Summary Table](#).

**Figure 6-10. DFP1\_EQ Register**

7	6	5	4	3	2	1	0
DTX1EQ_SEL				DRX1EQ_SEL			
R/W-0h				R/W-0h			

**Table 6-21. DFP1\_EQ Register Field Descriptions**

Bit	Field	Type	Reset	Description
7-4	DTX1EQ_SEL	R/W	0h	Field selects EQ for DTX1P/N pins. When EQ_OVERRIDE = 0b, this field reflects the sampled state of DEQ[1:0] pins. When EQ_OVERRIDE = 1b, software can change the EQ setting for DTX1P/N pins based on value written to this field.
3-0	DRX1EQ_SEL	R/W	0h	Field selects EQ for DRX1P/N pins. When EQ_OVERRIDE = 0b, this field reflects the sampled state of DEQ[1:0] pins. When EQ_OVERRIDE = 1b, software can change the EQ setting for DRX1P/N pins based on value written to this field.

### 6.6.1.11 USB3\_MISC Register (Offset = 22h) [reset = 4h]

USB3\_MISC is shown in [Figure 6-11](#) and described in [Table 6-22](#).

Return to [Summary Table](#).

**Figure 6-11. USB3\_MISC Register**

7	6	5	4	3	2	1	0
CM_ACTIVE	LFPS_EQ	U2U3_LFPS_D EBOUNCE	DISABLE_U2U 3_RXDET	DFP_RXDET_INTERVAL		USB_COMPLIANCE_CTRL	
RH-0h	R/W-0h	R/W-0h	R/W-0h	R/W-1h		R/W-0h	

**Table 6-22. USB3\_MISC Register Field Descriptions**

Bit	Field	Type	Reset	Description
7	CM_ACTIVE	RH	0h	Compliance mode status. 0h = Not in USB3.1 compliance mode. 1h = In USB3.1 compliance mode.
6	LFPS_EQ	R/W	0h	Controls whether settings of EQ based on URX[2:1]EQ_SEL, UTX[2:1]EQ_SEL, DRX[2:1]EQ_SEL, and DTX[2:1]EQ_SEL applies to received LFPS signal. 0h = EQ set to zero when receiving LFPS 1h = EQ set by the related registers when receiving LFPS.
5	U2U3_LFPS_DEBOUNCE	R/W	0h	Controls whether or not incoming LFPS is debounced or not. 0h = No debounce of LFPS before U2/U3 exit. 1h = 200us debounce of LFPS before U2/U3 exit.
4	DISABLE_U2U3_RXDET	R/W	0h	Controls whether or not Rx.Detect is performed in U2/U3 state. 0h = Rx.Detect in U2/U3 enabled. 1h = Rx.Detect in U2/U3 disabled.

**Table 6-22. USB3\_MISC Register Field Descriptions (continued)**

Bit	Field	Type	Reset	Description
3-2	DFP_RXDET_INTERVAL	R/W	1h	This field controls the Rx.Detect interval for the downstream facing port (DTX1P/N and DTX2P/N). 0h = 8ms 1h = 12ms 2h = Reserved 3h = Reserved.
1-0	USB_COMPLIANCE_CTR L	R/W	0h	Controls whether compliance mode is determined by FSM or register. 0h = Compliance mode determined by FSM. 1h = Compliance mode enabled in DFP direction. 2h = Compliance mode enabled in UFP direction. 3h = Compliance mode disabled.

**6.6.1.12 USB3\_LOS Register (Offset = 23h) [reset = 23h]**

USB3\_LOS is shown in [Figure 6-12](#) and described in [Table 6-23](#).

Return to [Summary Table](#).

**Figure 6-12. USB3\_LOS Register**

7	6	5	4	3	2	1	0
RESERVED		CFG_LOS_HYST			CFG_LOS_VTH		
R-0h		R/W-4h			R/W-3h		

**Table 6-23. USB3\_LOS Register Field Descriptions**

Bit	Field	Type	Reset	Description
7-6	RESERVED	R	0h	Reserved
5-3	CFG_LOS_HYST	R/W	4h	Controls LOS hysteresis defined as 20 log (LOS de-assert threshold/LOS assert threshold). 0h = 0.15 dB 1h = 0.85 dB 2h = 1.45 dB 3h = 2.00 dB 4h = 2.70 dB 5h = 3.00 dB 6h = 3.40 dB 7h = 3.80 dB
2-0	CFG_LOS_VTH	R/W	3h	Controls LOS assert threshold voltage 0h = 67 mV 1h = 72 mV 2h = 79 mV 3h = 85 mV 4h = 91 mV 5h = 97 mV 6h = 105 mV 7h = 112 mV

## 7 Application and Implementation

### Note

Information in the following applications sections is not part of the TI component specification, and TI does not warrant its accuracy or completeness. TI's customers are responsible for determining suitability of components for their purposes, as well as validating and testing their design implementation to confirm system functionality.

### 7.1 Application Information

The TUSB1044 is a linear redriver designed specifically to compensate for intersymbol interference (ISI) jitter caused by signal attenuation through a passive medium like PCB traces and cables. Because the TUSB1044 has four independent inputs, it can be optimized to correct ISI on all those seven inputs through 16 different equalization choices. Placing the TUSB1044 between a USB3.1 Host/DisplayPort 2.1 GPU and a USB3.1 Type-C receptacle can correct signal integrity issues resulting in a more robust system.

### 7.2 Typical Application

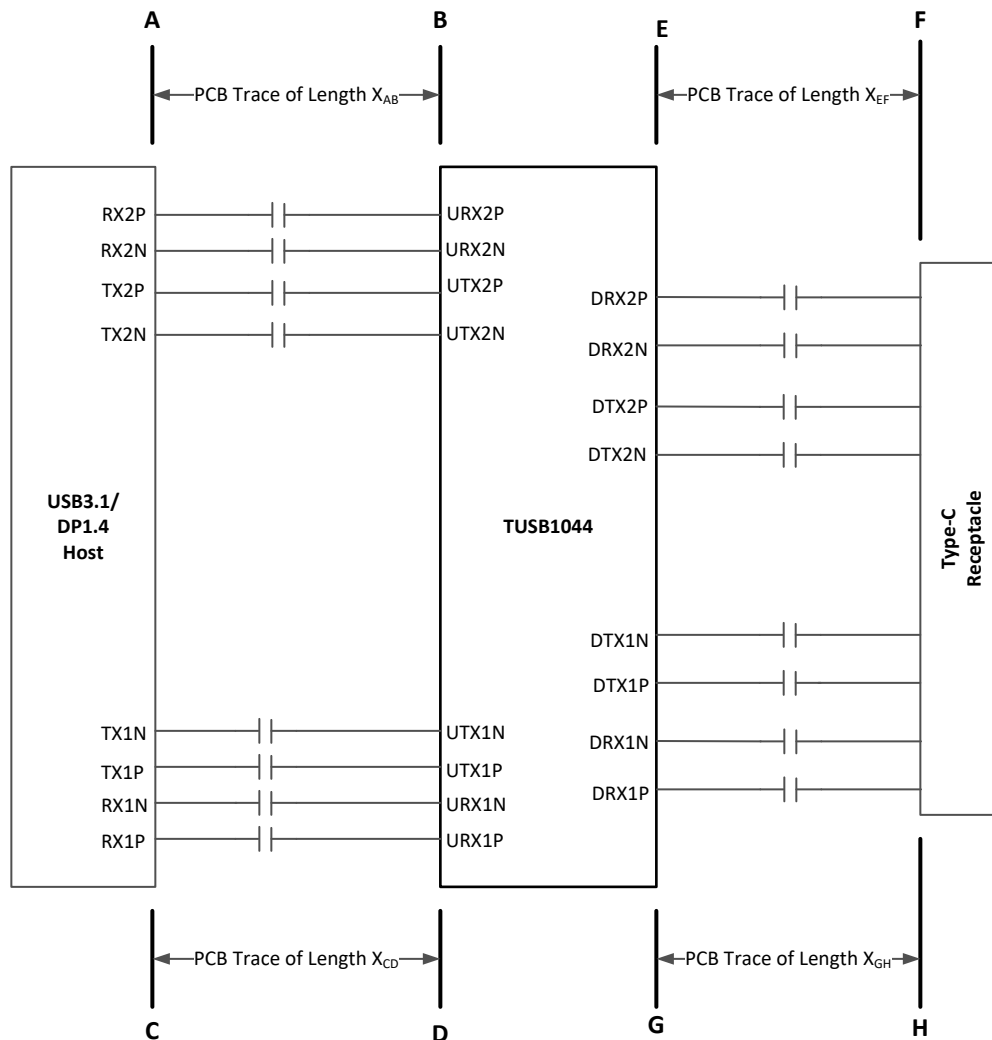


Figure 7-1. TUSB1044 in a Host Application

## 7.2.1 Design Requirements

For this design example, use the parameters shown in [Table 7-1](#).

**Table 7-1. Design Parameters**

PARAMETER	VALUE
A to B PCB trace length, $X_{AB}$	8 inches (assuming 1 dB/inch at 5GHz).
C to D PCB trace length, $X_{CD}$	8 inches (assuming 1 dB/inch at 5GHz).
E to F PCB trace length, $X_{EF}$	1.5 inches (assuming 1 dB/inch at 5GHz).
G to H PCB trace length, $X_{GH}$	1.5 inches (assuming 1 dB/inch at 5GHz).
PCB trace width	4 mils
AC-coupling capacitor (75 nF to 265 nF)	220 nF
VCC supply (3 V to 3.6 V)	3.3 V
I2C Mode or GPIO Mode	I2C Mode.
1.8V or 3.3V I2C Interface	3.3V I2C. Pull-up the I2C_EN pin to 3.3V with a 1K ohm resistor.

## 7.2.2 Detailed Design Procedure

A typical usage of the TUSB1044 device is shown in [Figure 7-2](#). The device can be controlled either through its GPIO pins or through its I<sup>2</sup>C interface. In [Figure 7-2](#), a Type-C PD controller is used to configure the device through the I<sup>2</sup>C interface. In I<sup>2</sup>C mode, the equalization settings for each receiver can be independently controlled through I<sup>2</sup>C registers. For this reason, all of the equalization pins (UEQ[1:0] and DEQ[1:0]) can be left unconnected. If these pins are left unconnected, the TUSB1044 7-bit I<sup>2</sup>C slave address is 12h because both UEQ1/A1 and UEQ0/A0 are at pin level "F". If a different I<sup>2</sup>C slave address is desired, UEQ1/A1 and UEQ0/A0 pins should be set to a level which produces the desired I<sup>2</sup>C slave address.

Recent ECN (Engineering Change Notice) to the USB3.1 specification allows for AC-coupling capacitors between USB receptacle and the USB3.1 receiver pins of a device/host/hub. The TUSB1044 does support the additional AC-capacitor as depicted in [Figure 7-2](#) on pins DRX2P/N and DRX1P/N. This AC-coupling capacitor should be no smaller than 297 nF. A value of 330 nF is recommended.

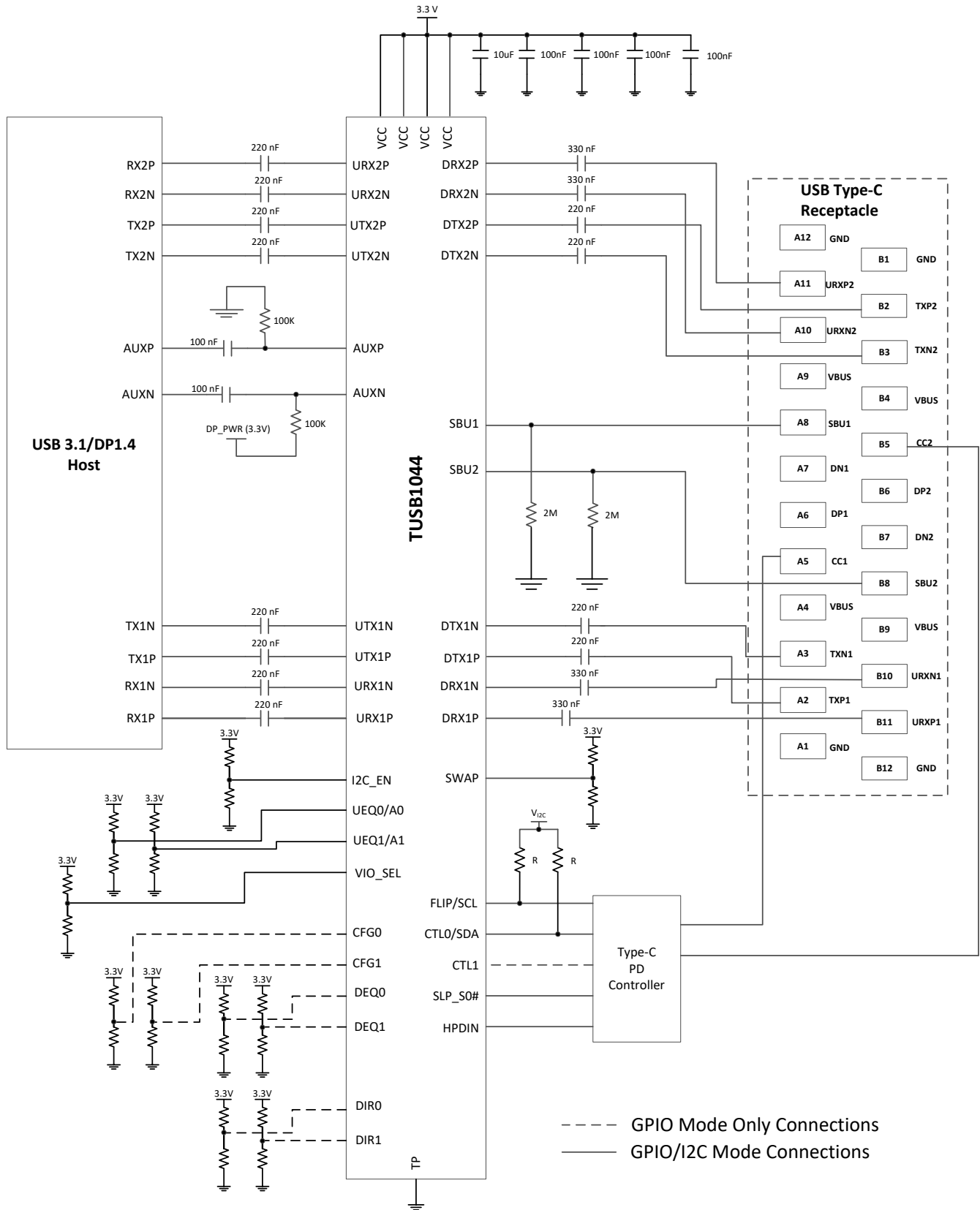
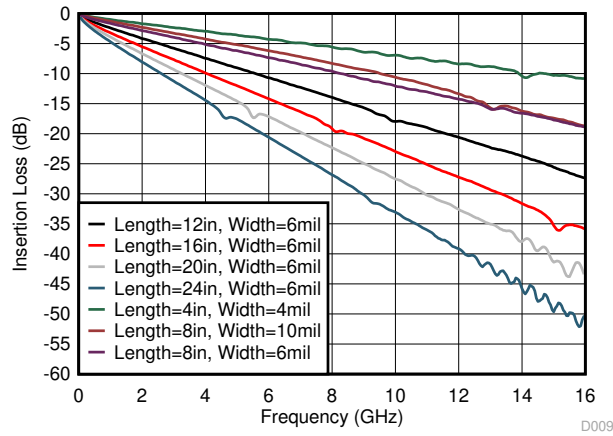


Figure 7-2. Typical Application Circuit



### 7.2.3 Application Curve



**Figure 7-3. Insertion Loss of FR4 PCB Traces**

### 7.3 System Examples

#### 7.3.1 USB 3.1 only (USB/DP Alternate Mode)

The TUSB1044 is in USB3.1 only when the CTL1 pin is low and CTL0 pin is high.

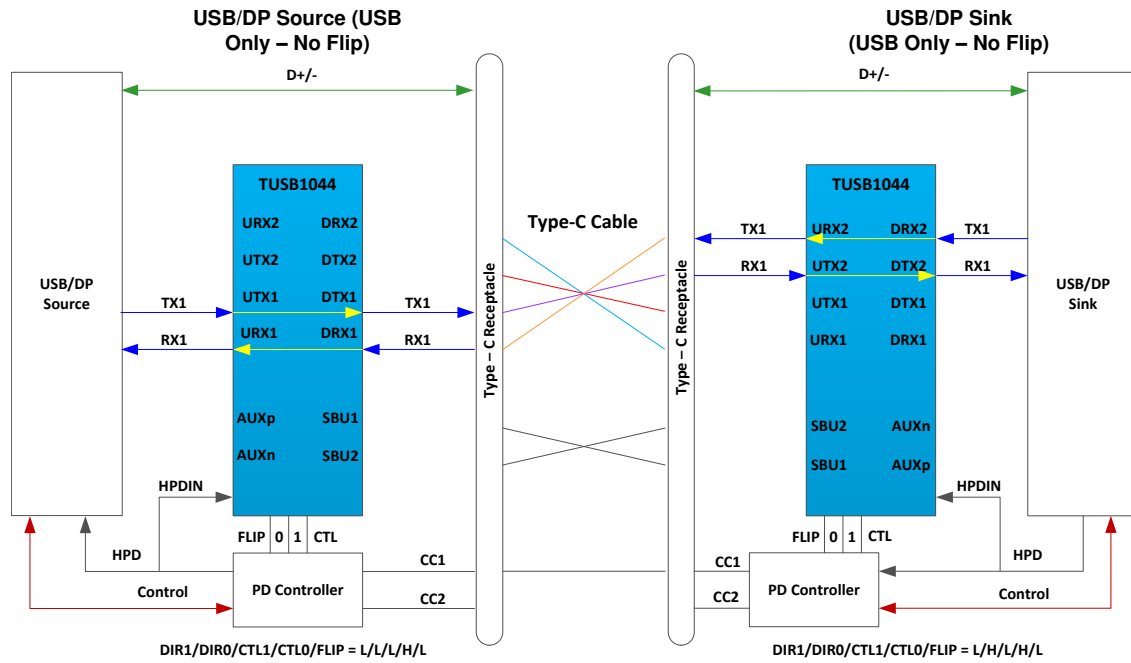


Figure 7-4. USB3.1 Only – No Flip

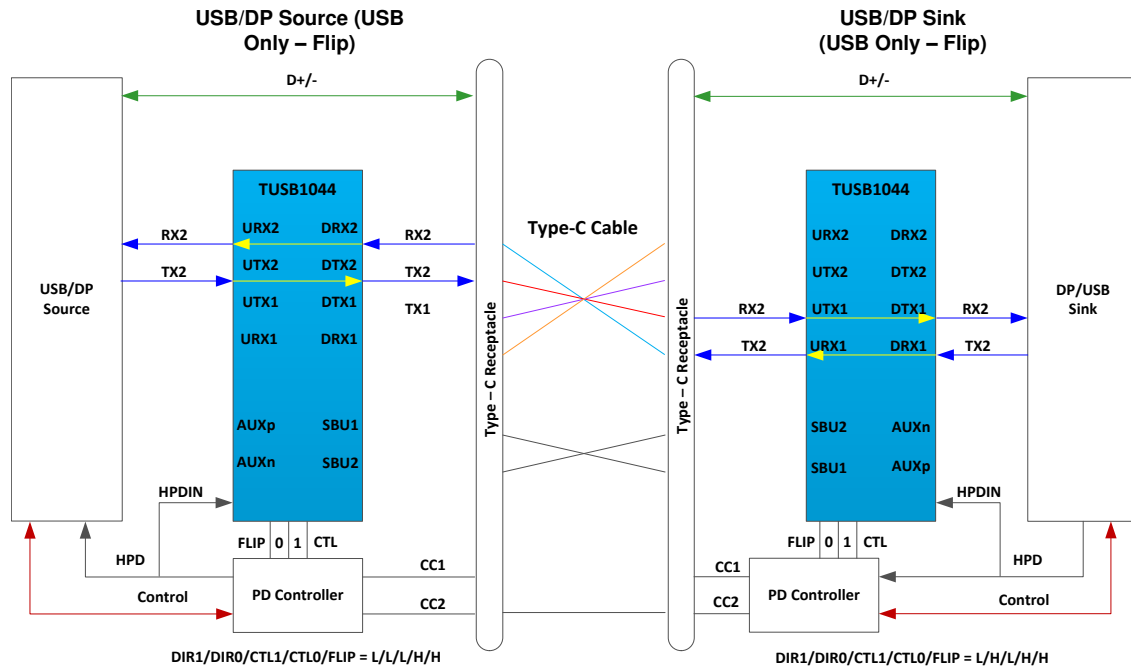


Figure 7-5. USB3.1 Only – With Flip

### 7.3.2 USB3.1 and 2 lanes of DisplayPort

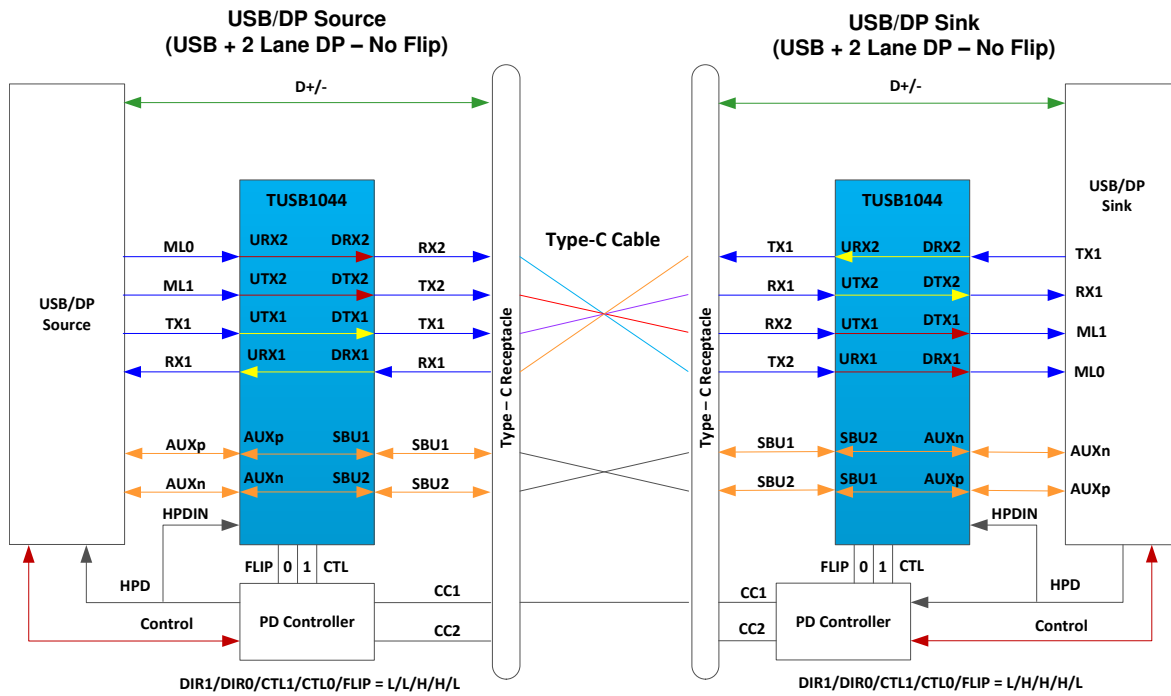


Figure 7-6. USB3.1 + 2 Lane DP – No Flip

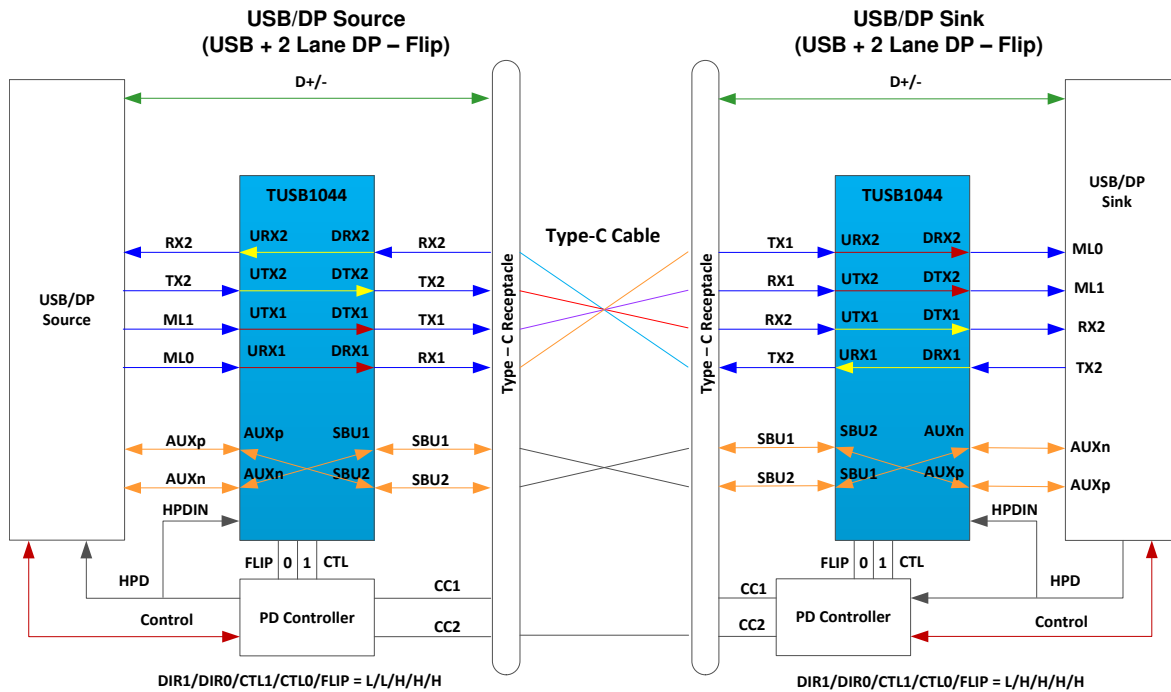
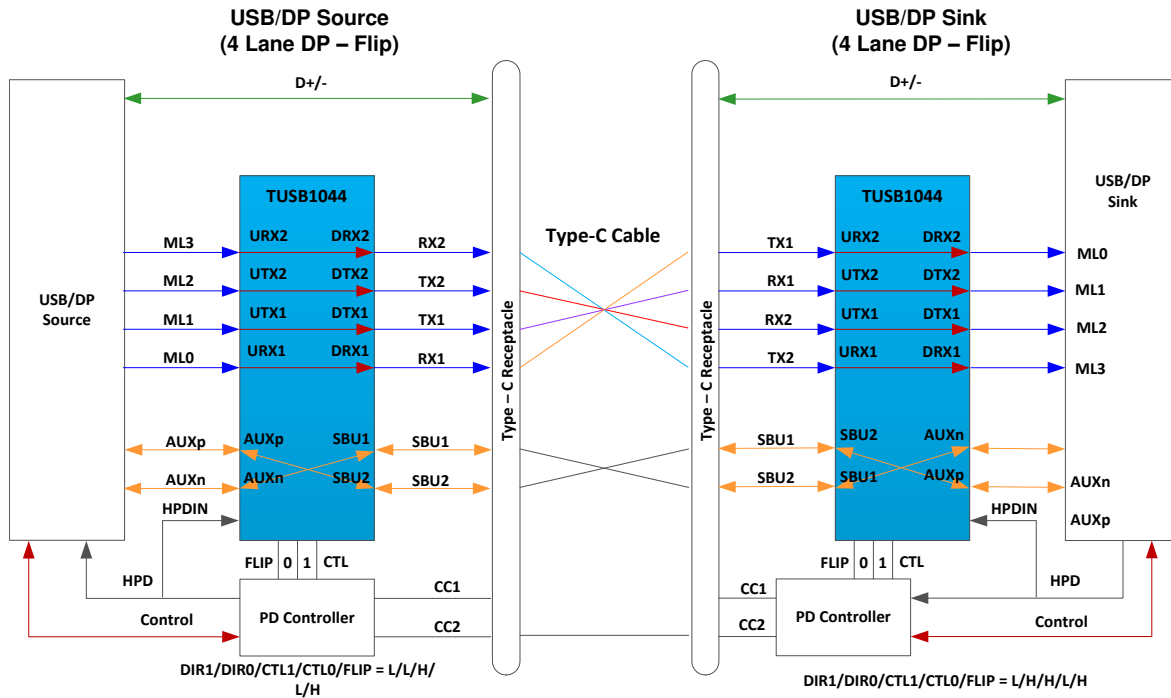
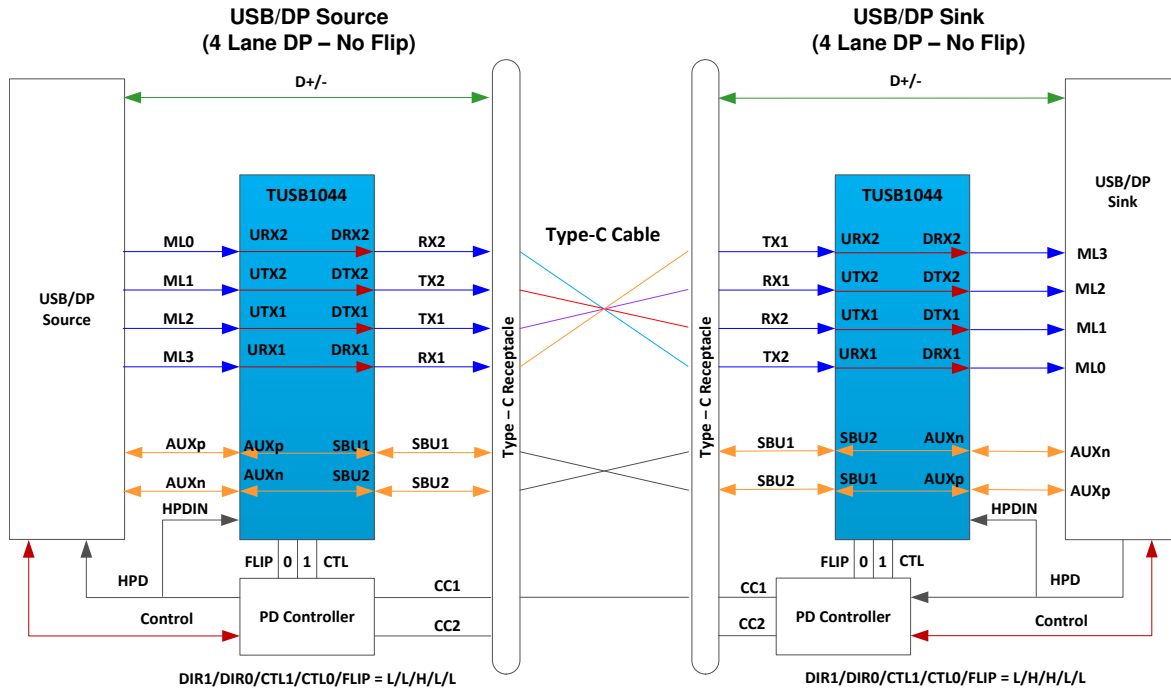


Figure 7-7. USB 3.1 + 2 Lane DP – Flip

### 7.3.3 DisplayPort Only



### 7.3.4 USB 3.1 only (USB/Custom Alternate Mode)

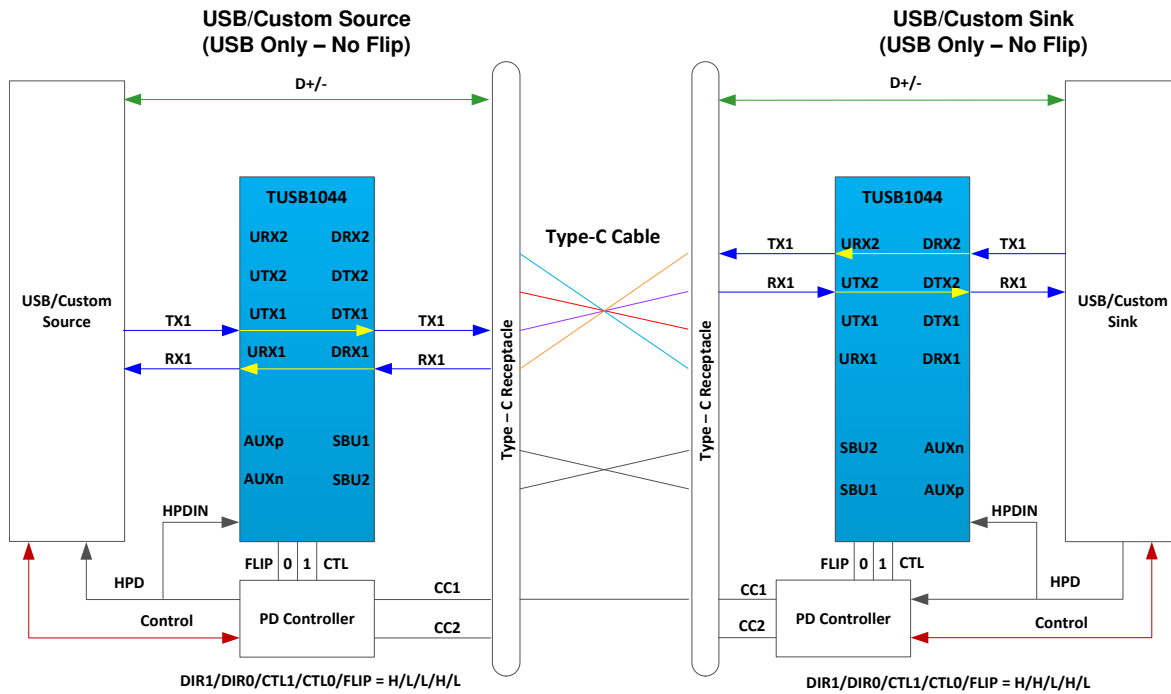


Figure 7-10. USB3.1 Only – No Flip

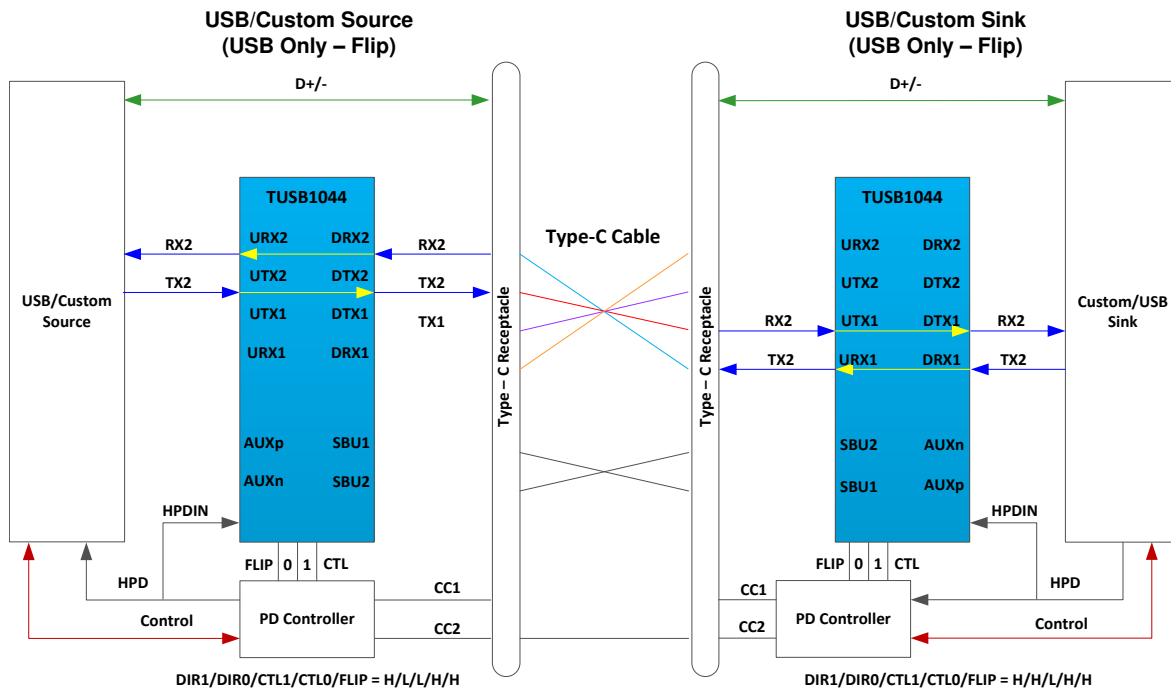


Figure 7-11. USB3.1 Only – With Flip

### 7.3.5 USB3.1 and 1 Lane of Custom Alt Mode

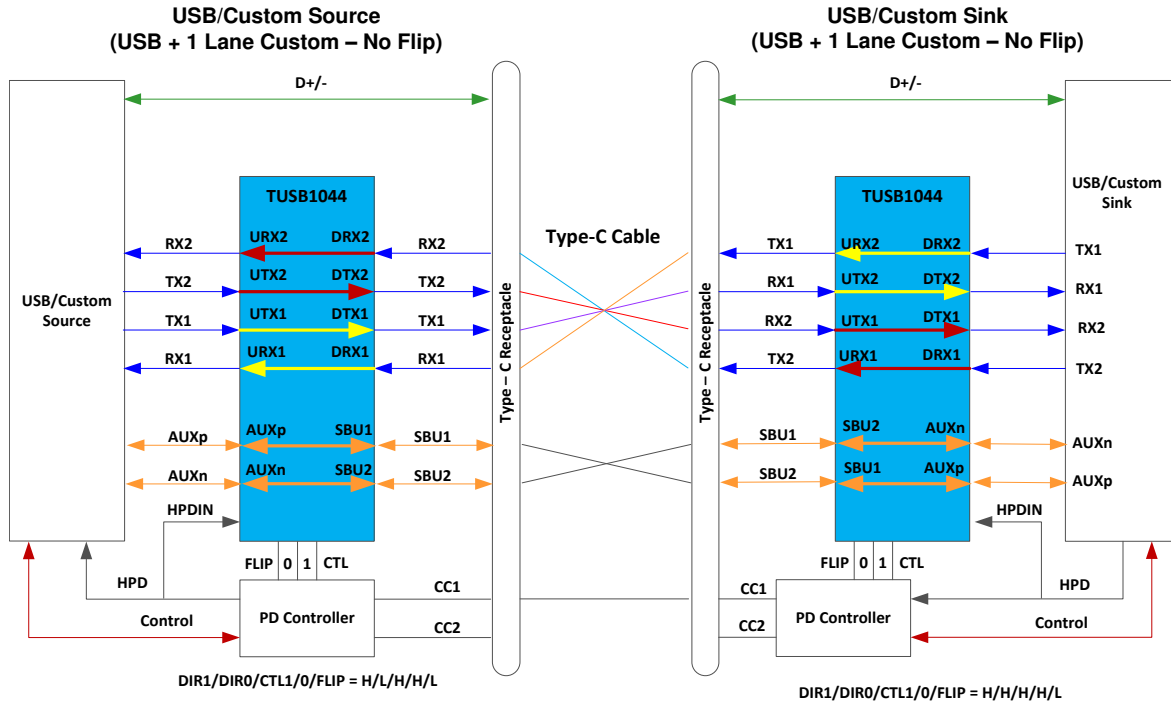


Figure 7-12. USB3.1 + 1 Lane Custom Alt Mode – No Flip

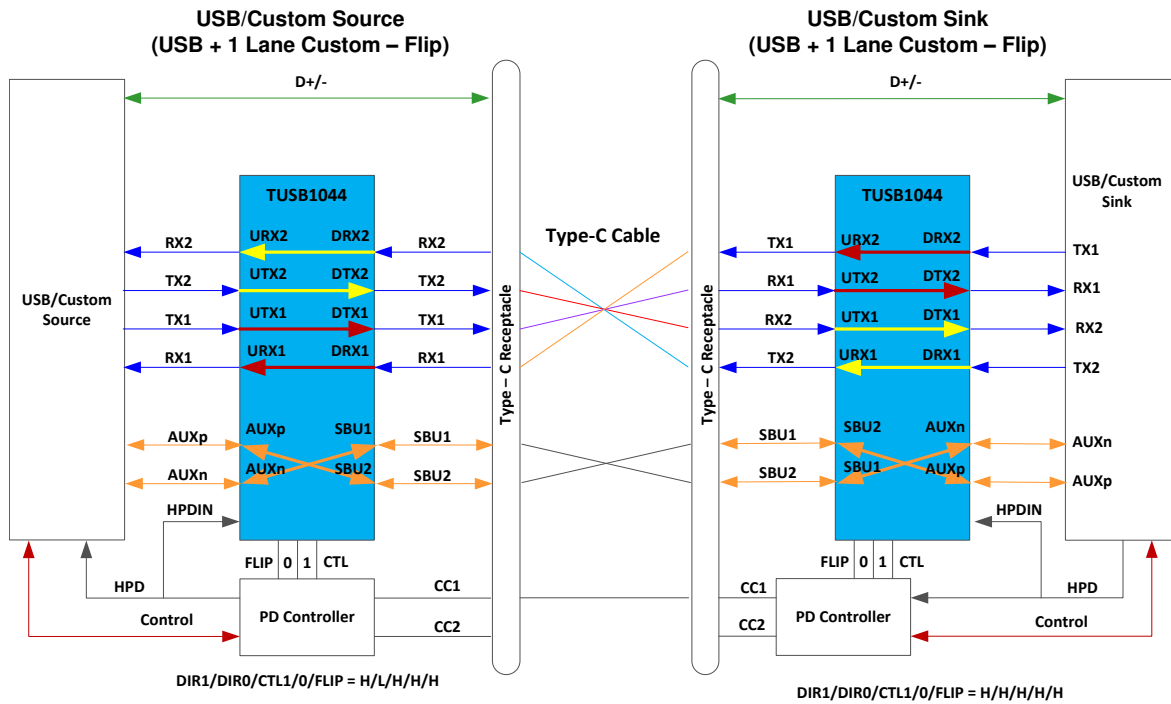


Figure 7-13. USB 3.1 + 1 Lane Custom Alt. Mode – Flip

### 7.3.6 USB3.1 and 2 Lane of Custom Alt Mode

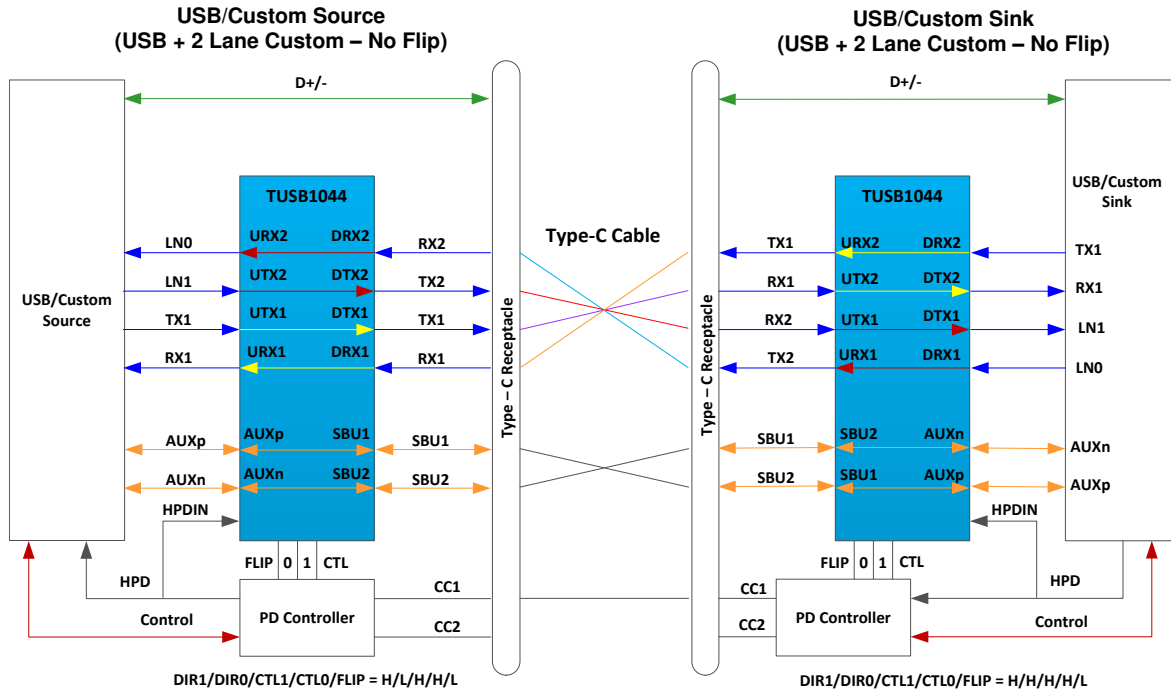


Figure 7-14. Two Lane Custom Alternate Mode – No Flip

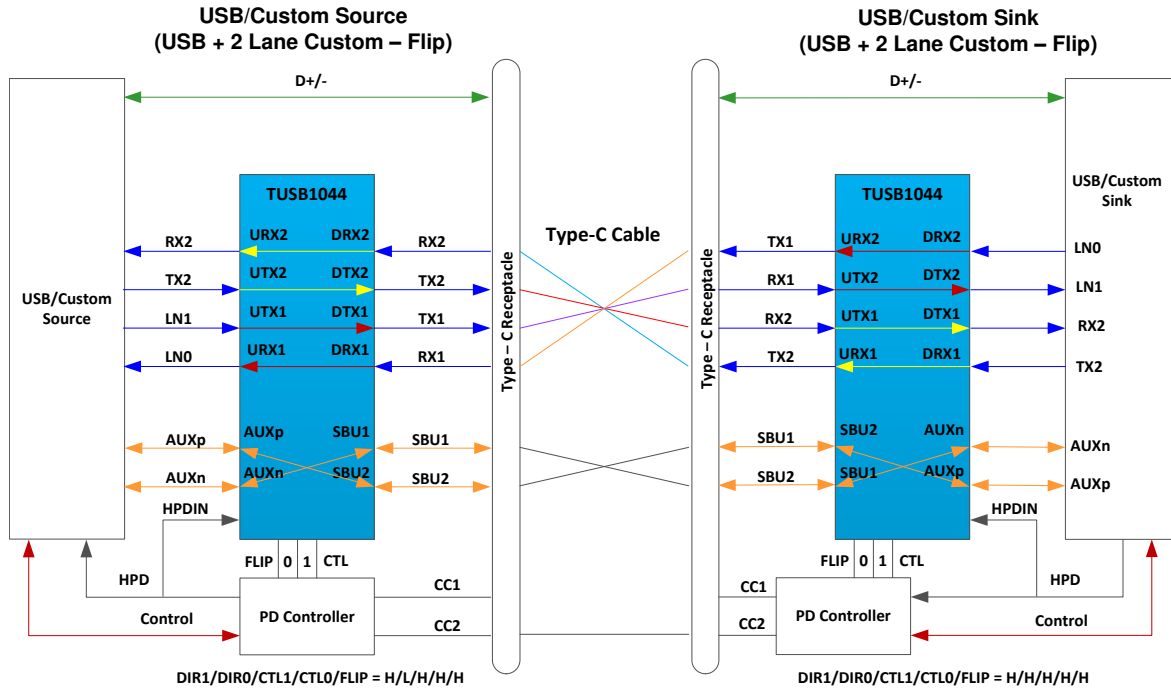


Figure 7-15. Two Lane Custom Alternate Mode – With Flip

### 7.3.7 USB3.1 and 4 Lane of Custom Alt Mode

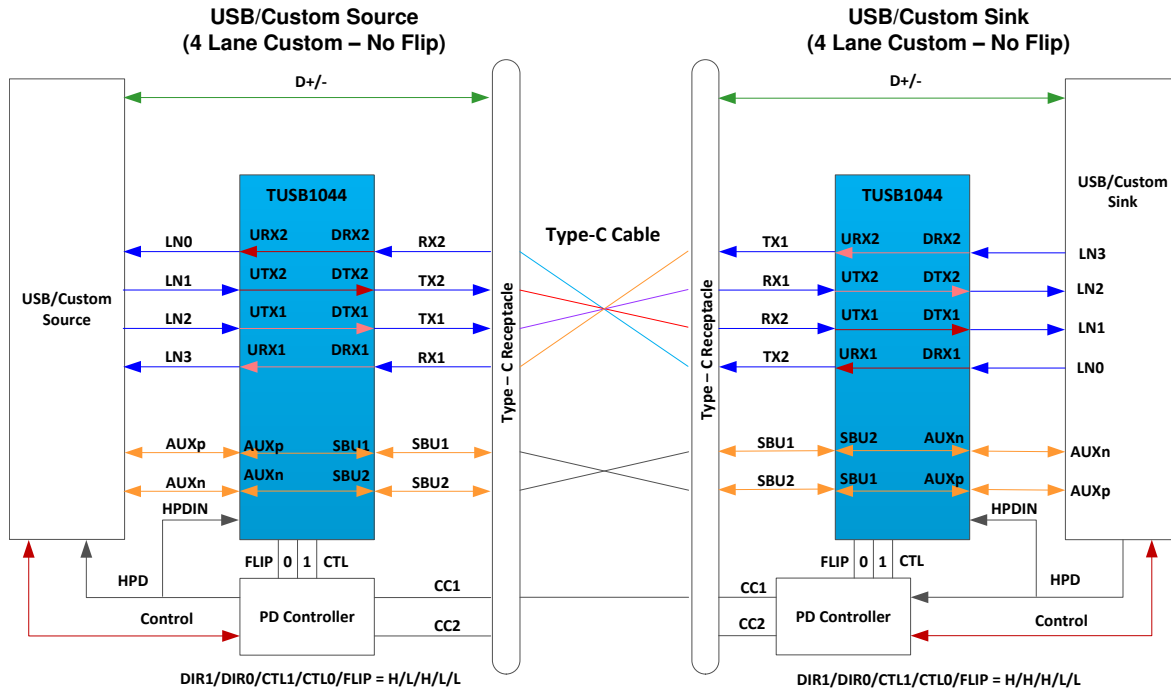


Figure 7-16. Four Lane Custom Alternate Mode – No Flip

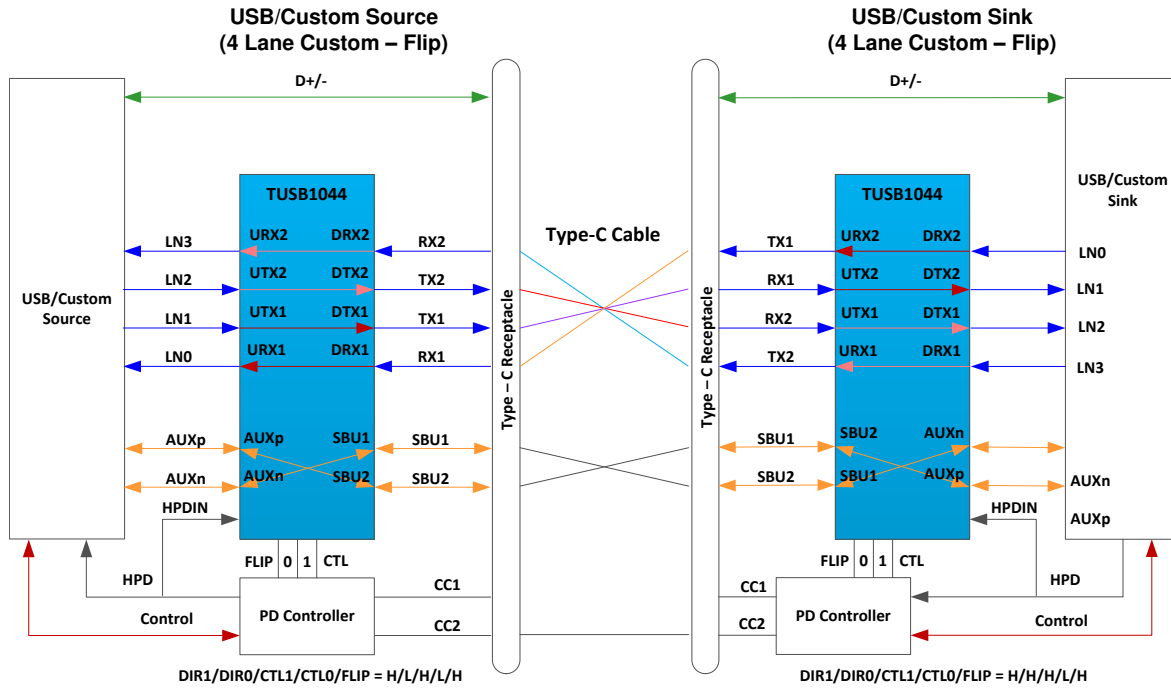


Figure 7-17. Four Lane Custom Alternate Mode – With Flip

### 7.4 Power Supply Recommendations

The TUSB1044 is designed to operate with a 3.3-V power supply. Levels above those listed in the **BLANKXREF** table should not be used. If using a higher voltage system power supply, a voltage regulator can be used to



step down to 3.3 V. Decoupling capacitors should be used to reduce noise and improve power supply integrity. A 0.1- $\mu$ F capacitor should be used on each power pin.

## 7.5 Layout

### 7.5.1 Layout Guidelines

1. RXP/N and TXP/N pairs should be routed with controlled 90- $\Omega$  differential impedance ( $\pm 15\%$ ).
2. Keep away from other high speed signals.
3. Intra-pair routing should be kept to within 2 mils.
4. Length matching should be near the location of mismatch.
5. Each pair should be separated at least by 3 times the signal trace width.
6. The use of bends in differential traces should be kept to a minimum. When bends are used, the number of left and right bends should be as equal as possible and the angle of the bend should be  $\geq 135$  degrees. This will minimize any length mismatch causes by the bends and therefore minimize the impact bends have on EMI.
7. Route all differential pairs on the same of layer.
8. The number of VIAS should be kept to a minimum. It is recommended to have no more than 1 VIA between TUSB1044 and Type-C connector and no more than 1 VIA between TUSB1044 and USB3.1 Device/Host.
9. Keep traces on layers adjacent to ground plane.
10. Do NOT route differential pairs over any plane split.
11. Adding Test points will cause impedance discontinuity; and therefore, negatively impacts signal performance. If test points are used, the test points should be placed in series and symmetrically. The test points must not be placed in a manner that causes a stub on the differential pair.
12. Assuming 1 dB/inch loss at 5 GHz, the trace length between TUSB1044 and Type-C connector should be no more than 1.5 inches.
13. Assuming 1 dB/inch loss at 5 GHz, the trace length between TUSB1044 and the USB 3.1 Host/Device should be no more than 8 inches.
14. ESD protection devices and EMI suppression devices need to be carefully selected and have to have excellent transient performance at 10 Gbps with flat shunt capacitance characteristics over  $\pm 650$  mV voltage range. Note small-signal insertion loss characteristics are insufficient to determine suitability of non-linear devices (ESD devices) for 10Gbps operation

### 7.5.2 Layout Example

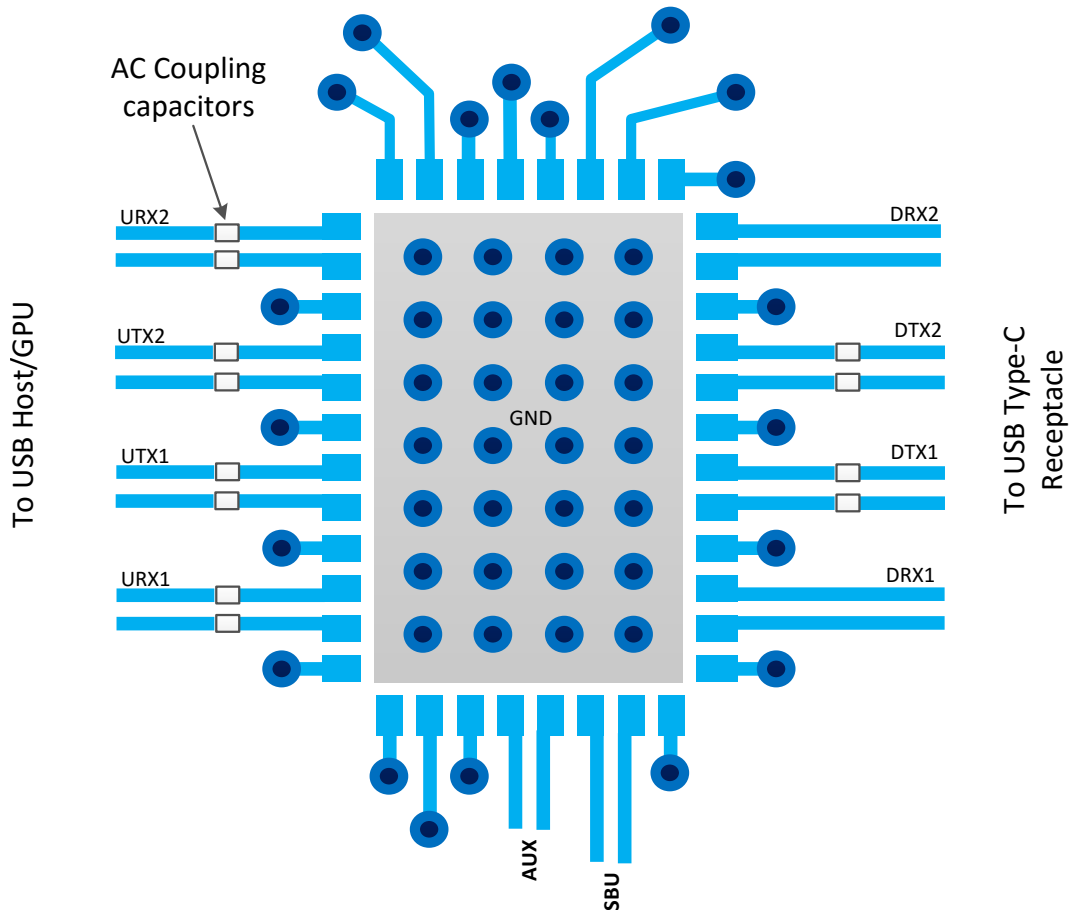


Figure 7-18. Example Layout

## 8 Device and Documentation Support

### 8.1 Documentation Support

#### 8.1.1 Related Documentation

The documents identified in this section are referenced within this specification. Most references with the text will use a document tag, identified as [Document Tag], instead of the complete document title to simplify the text.

For related documentation, see the following:

- Texas Instruments, [USB31] Universal Serial Bus 3.1 Specification
- Texas Instruments, [TYPE C] Universal Serial Bus Type C Cable and Connector Specification

#### 8.2 Receiving Notification of Documentation Updates

To receive notification of documentation updates, navigate to the device product folder on [ti.com](http://ti.com). Click on *Notifications* to register and receive a weekly digest of any product information that has changed. For change details, review the revision history included in any revised document.

#### 8.3 Support Resources

[TI E2E™ support forums](#) are an engineer's go-to source for fast, verified answers and design help — straight from the experts. Search existing answers or ask your own question to get the quick design help you need.

Linked content is provided "AS IS" by the respective contributors. They do not constitute TI specifications and do not necessarily reflect TI's views; see TI's [Terms of Use](#).

#### 8.4 Trademarks

TI E2E™ is a trademark of Texas Instruments.  
All trademarks are the property of their respective owners.

#### 8.5 Electrostatic Discharge Caution



This integrated circuit can be damaged by ESD. Texas Instruments recommends that all integrated circuits be handled with appropriate precautions. Failure to observe proper handling and installation procedures can cause damage.

ESD damage can range from subtle performance degradation to complete device failure. Precision integrated circuits may be more susceptible to damage because very small parametric changes could cause the device not to meet its published specifications.

#### 8.6 Glossary

[TI Glossary](#) This glossary lists and explains terms, acronyms, and definitions.

## 9 Revision History

NOTE: Page numbers for previous revisions may differ from page numbers in the current version.

<b>Changes from Revision C (October 2018) to Revision D (April 2024)</b>	<b>Page</b>
• Changed condition for I2C $V_{IH-3.3V}$ From VIO_SEL = "0" or "R". To VIO_SEL = "0" or "F".....	7
• Changed condition for I2C $V_{IL-3.3V}$ From VIO_SEL = "0" or "R". To VIO_SEL = "0" or "F".....	7
• Changed condition for I2C $V_{IH-1.8V}$ From VIO_SEL = "F" or "1". To VIO_SEL = "R" or "1".....	7
• Changed condition for I2C $V_{IL-1.8V}$ From VIO_SEL = "F" or "1". To VIO_SEL = "R" or "1".....	7
• Changed $d_R$ maximum from 8.1 Gbps to 10.0 Gbps .....	7
• Changed 8.1 Gbps to 10.0 Gbps.....	19
• Changed DisplayPort 1.4 to DisplayPort 2.1.....	19
• Changed HBR3 to UHBR10.....	19

<b>Changes from Revision B (April 2018) to Revision C (October 2018)</b>	<b>Page</b>
• Added pull-down indicator (PD) in the I/O column on SWAP, SLP_S0#, DIR0, DIR1, FLIP. CTL0 pins. ....	3

**TUSB1044**

SLLSF47D – FEBRUARY 2018 – REVISED APRIL 2024

• Added junction temperature of 105°C for TUSB1044. ....	6
• Changed junction temperature from 105°C to 125°C for TUSB1044I .....	6
• Changed R <sub>PD_CTL1</sub> From: Internal pull-down resistance for CTL1 To: Internal pull-down resistance for CTL1, CTL0, DIR0, DIR1, FLIP, and SLP_S0#.....	7
• Added R <sub>PD_SWAP</sub> parameter of 200kΩ.....	7

---

<b>Changes from Revision A (February 2018) to Revision B (April 2018)</b>	<b>Page</b>
---	-------------

---

• Changed the Simplified Schematic.....	1
---	---

---

<b>Changes from Revision * (February 2018) to Revision A (February 2018)</b>	<b>Page</b>
--	-------------

---

• Changed text in the <i>Detailed Design Procedure</i> From: "This AC-coupling capacitor should be no more than 220 nF." To: This AC-coupling capacitor should be no smaller than 297 nF. A value of 330 nF is recommended.".....	47
• Changed 220 nF to 330 nF on DRX2P, DRX2N and DRX1P, DRX1N in <a href="#">Figure 7-2</a> .....	47

---

## 10 Mechanical, Packaging, and Orderable Information

The following pages include mechanical, packaging, and orderable information. This information is the most current data available for the designated devices. This data is subject to change without notice and revision of this document. For browser-based versions of this data sheet, refer to the left-hand navigation.

**PACKAGING INFORMATION**

Orderable Device	Status (1)	Package Type	Package Drawing	Pins	Package Qty	Eco Plan (2)	Lead finish/ Ball material (6)	MSL Peak Temp (3)	Op Temp (°C)	Device Marking (4/5)	Samples
TUSB1044IRNQR	ACTIVE	WQFN	RNQ	40	3000	RoHS & Green	NIPDAU	Level-1-260C-UNLIM	-40 to 85	TUSB44	Samples
TUSB1044IRNQT	ACTIVE	WQFN	RNQ	40	250	RoHS & Green	NIPDAU	Level-1-260C-UNLIM	-40 to 85	TUSB44	Samples
TUSB1044RNQR	ACTIVE	WQFN	RNQ	40	3000	RoHS & Green	NIPDAU	Level-1-260C-UNLIM	0 to 70	TUSB44	Samples
TUSB1044RNQT	ACTIVE	WQFN	RNQ	40	250	RoHS & Green	NIPDAU	Level-1-260C-UNLIM	0 to 70	TUSB44	Samples

(1) The marketing status values are defined as follows:

**ACTIVE:** Product device recommended for new designs.

**LIFEBUY:** TI has announced that the device will be discontinued, and a lifetime-buy period is in effect.

**NRND:** Not recommended for new designs. Device is in production to support existing customers, but TI does not recommend using this part in a new design.

**PREVIEW:** Device has been announced but is not in production. Samples may or may not be available.

**OBSOLETE:** TI has discontinued the production of the device.

(2) **RoHS:** TI defines "RoHS" to mean semiconductor products that are compliant with the current EU RoHS requirements for all 10 RoHS substances, including the requirement that RoHS substance do not exceed 0.1% by weight in homogeneous materials. Where designed to be soldered at high temperatures, "RoHS" products are suitable for use in specified lead-free processes. TI may reference these types of products as "Pb-Free".

**RoHS Exempt:** TI defines "RoHS Exempt" to mean products that contain lead but are compliant with EU RoHS pursuant to a specific EU RoHS exemption.

**Green:** TI defines "Green" to mean the content of Chlorine (Cl) and Bromine (Br) based flame retardants meet JS709B low halogen requirements of <=1000ppm threshold. Antimony trioxide based flame retardants must also meet the <=1000ppm threshold requirement.

(3) MSL, Peak Temp. - The Moisture Sensitivity Level rating according to the JEDEC industry standard classifications, and peak solder temperature.

(4) There may be additional marking, which relates to the logo, the lot trace code information, or the environmental category on the device.

(5) Multiple Device Markings will be inside parentheses. Only one Device Marking contained in parentheses and separated by a "-" will appear on a device. If a line is indented then it is a continuation of the previous line and the two combined represent the entire Device Marking for that device.

(6) Lead finish/Ball material - Orderable Devices may have multiple material finish options. Finish options are separated by a vertical ruled line. Lead finish/Ball material values may wrap to two lines if the finish value exceeds the maximum column width.

**Important Information and Disclaimer:**The information provided on this page represents TI's knowledge and belief as of the date that it is provided. TI bases its knowledge and belief on information provided by third parties, and makes no representation or warranty as to the accuracy of such information. Efforts are underway to better integrate information from third parties. TI has taken and

continues to take reasonable steps to provide representative and accurate information but may not have conducted destructive testing or chemical analysis on incoming materials and chemicals. TI and TI suppliers consider certain information to be proprietary, and thus CAS numbers and other limited information may not be available for release.

In no event shall TI's liability arising out of such information exceed the total purchase price of the TI part(s) at issue in this document sold by TI to Customer on an annual basis.

**TAPE AND REEL INFORMATION**

**QUADRANT ASSIGNMENTS FOR PIN 1 ORIENTATION IN TAPE**


\*All dimensions are nominal

Device	Package Type	Package Drawing	Pins	SPQ	Reel Diameter (mm)	Reel Width W1 (mm)	A0 (mm)	B0 (mm)	K0 (mm)	P1 (mm)	W (mm)	Pin1 Quadrant
TUSB1044IRNQR	WQFN	RNQ	40	3000	330.0	12.4	4.3	6.3	1.1	8.0	12.0	Q2
TUSB1044IRNQT	WQFN	RNQ	40	250	180.0	12.4	4.3	6.3	1.1	8.0	12.0	Q2
TUSB1044RNQR	WQFN	RNQ	40	3000	330.0	12.4	4.3	6.3	1.1	8.0	12.0	Q2
TUSB1044RNQT	WQFN	RNQ	40	250	180.0	12.4	4.3	6.3	1.1	8.0	12.0	Q2

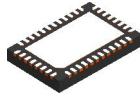
**TAPE AND REEL BOX DIMENSIONS**


\*All dimensions are nominal

Device	Package Type	Package Drawing	Pins	SPQ	Length (mm)	Width (mm)	Height (mm)
TUSB1044IRNQR	WQFN	RNQ	40	3000	367.0	367.0	35.0
TUSB1044IRNQT	WQFN	RNQ	40	250	210.0	185.0	35.0
TUSB1044RNQR	WQFN	RNQ	40	3000	367.0	367.0	35.0
TUSB1044RNQT	WQFN	RNQ	40	250	210.0	185.0	35.0



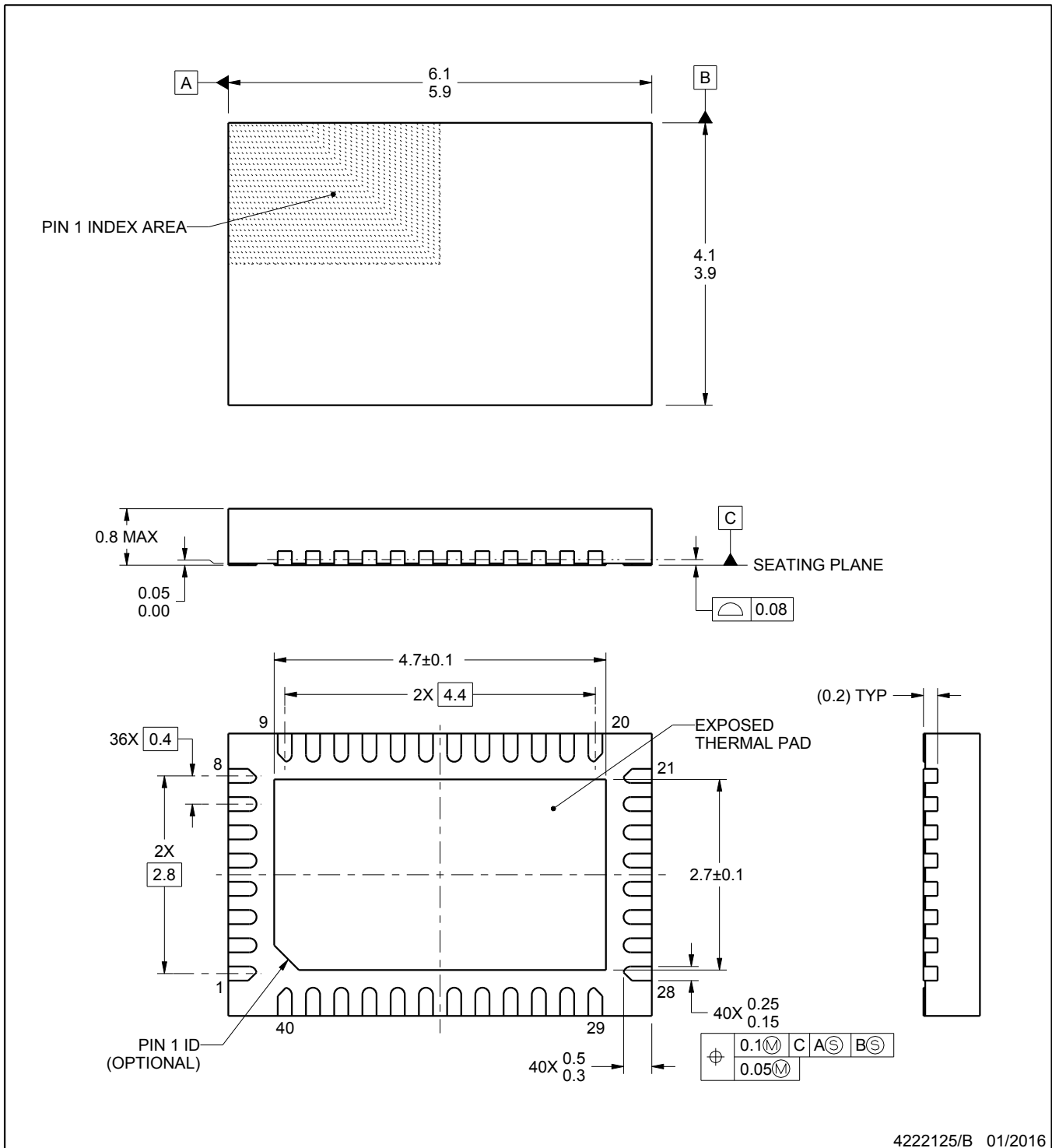
# RNQ0040A



# PACKAGE OUTLINE

## WQFN - 0.8 mm max height

PLASTIC QUAD FLATPACK - NO LEAD



4222125/B 01/2016

### NOTES:

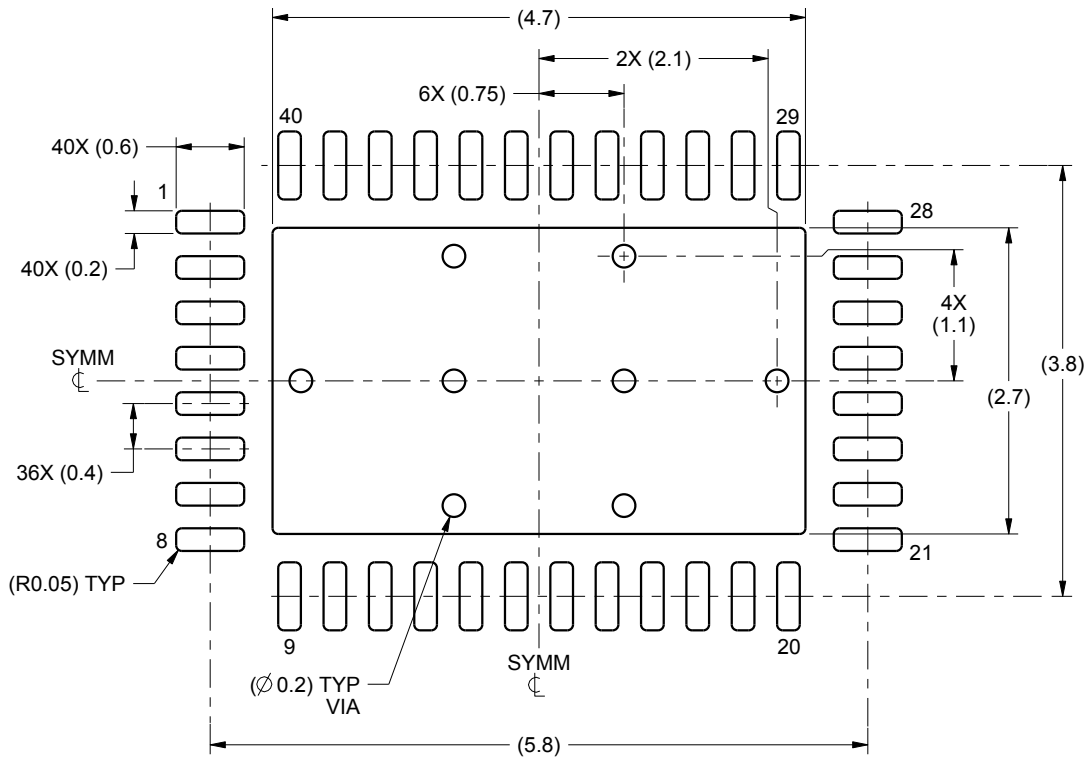
1. All linear dimensions are in millimeters. Any dimensions in parenthesis are for reference only. Dimensioning and tolerancing per ASME Y14.5M.
2. This drawing is subject to change without notice.
3. The package thermal pad must be soldered to the printed circuit board for thermal and mechanical performance.

# EXAMPLE BOARD LAYOUT

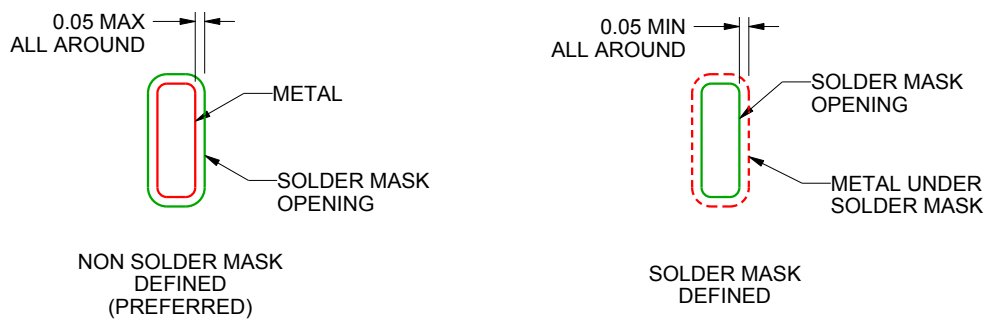
**RNQ0040A**

**WQFN - 0.8 mm max height**

PLASTIC QUAD FLATPACK - NO LEAD



LAND PATTERN EXAMPLE  
SCALE:15X



SOLDER MASK DETAILS

4222125/B 01/2016

NOTES: (continued)

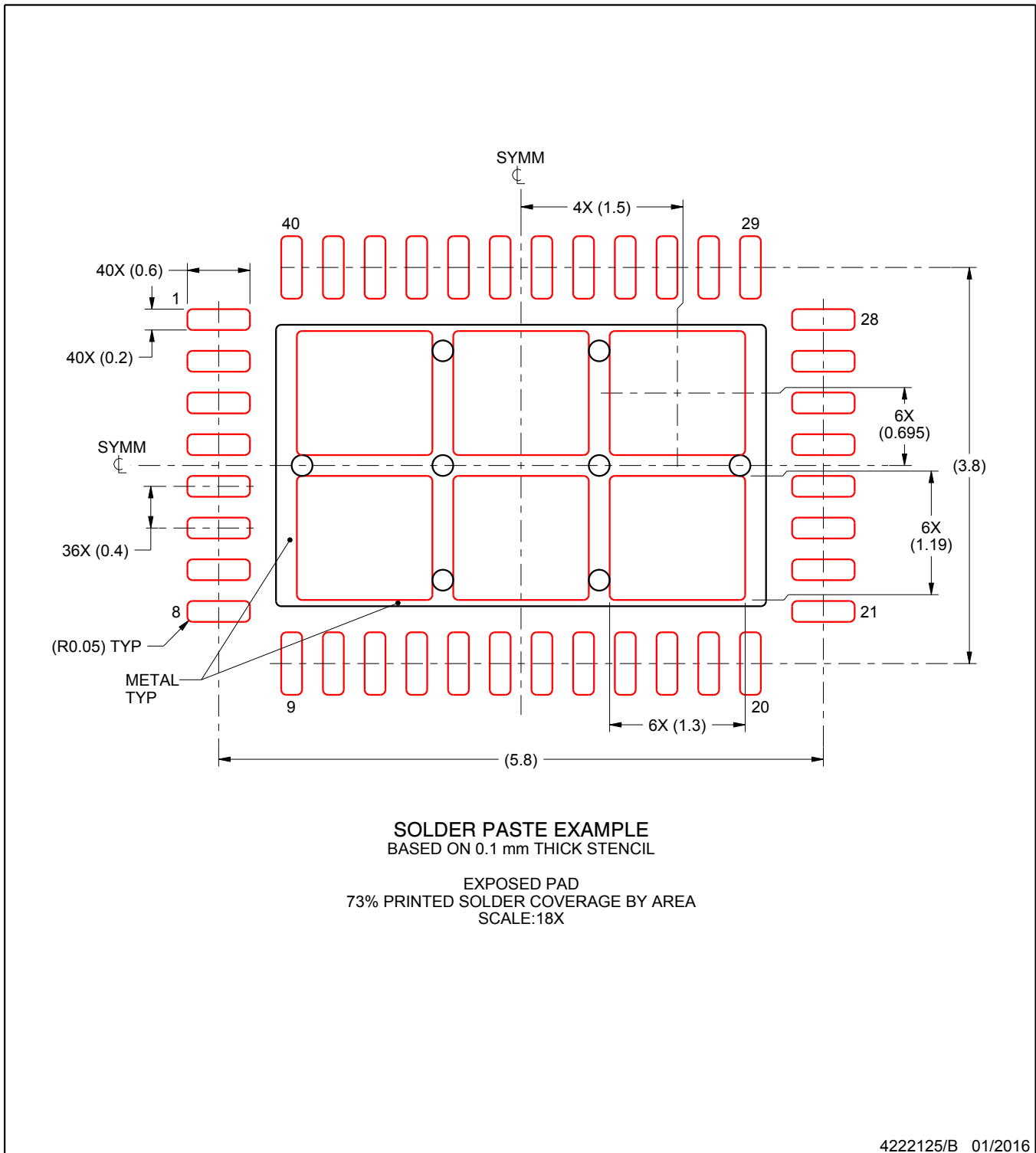
4. This package is designed to be soldered to a thermal pad on the board. For more information, see Texas Instruments literature number SLUA271 ([www.ti.com/lit/slua271](http://www.ti.com/lit/slua271)).

# EXAMPLE STENCIL DESIGN

RNQ0040A

WQFN - 0.8 mm max height

PLASTIC QUAD FLATPACK - NO LEAD



NOTES: (continued)

5. Laser cutting apertures with trapezoidal walls and rounded corners may offer better paste release. IPC-7525 may have alternate design recommendations.

## IMPORTANT NOTICE AND DISCLAIMER

TI PROVIDES TECHNICAL AND RELIABILITY DATA (INCLUDING DATA SHEETS), DESIGN RESOURCES (INCLUDING REFERENCE DESIGNS), APPLICATION OR OTHER DESIGN ADVICE, WEB TOOLS, SAFETY INFORMATION, AND OTHER RESOURCES "AS IS" AND WITH ALL FAULTS, AND DISCLAIMS ALL WARRANTIES, EXPRESS AND IMPLIED, INCLUDING WITHOUT LIMITATION ANY IMPLIED WARRANTIES OF MERCHANTABILITY, FITNESS FOR A PARTICULAR PURPOSE OR NON-INFRINGEMENT OF THIRD PARTY INTELLECTUAL PROPERTY RIGHTS.

These resources are intended for skilled developers designing with TI products. You are solely responsible for (1) selecting the appropriate TI products for your application, (2) designing, validating and testing your application, and (3) ensuring your application meets applicable standards, and any other safety, security, regulatory or other requirements.

These resources are subject to change without notice. TI grants you permission to use these resources only for development of an application that uses the TI products described in the resource. Other reproduction and display of these resources is prohibited. No license is granted to any other TI intellectual property right or to any third party intellectual property right. TI disclaims responsibility for, and you will fully indemnify TI and its representatives against, any claims, damages, costs, losses, and liabilities arising out of your use of these resources.

TI's products are provided subject to [TI's Terms of Sale](#) or other applicable terms available either on [ti.com](https://www.ti.com) or provided in conjunction with such TI products. TI's provision of these resources does not expand or otherwise alter TI's applicable warranties or warranty disclaimers for TI products.

TI objects to and rejects any additional or different terms you may have proposed.

Mailing Address: Texas Instruments, Post Office Box 655303, Dallas, Texas 75265  
Copyright © 2024, Texas Instruments Incorporated