

TPA6040A4 Audio Power Amplifier Evaluation Module

Contents

1	Introduction	1
2	Operation	3
3	Schematic and Bill of Materials	5

List of Figures

1	TI TPA6040A4 Audio Power Amplifier EVM – Top View	2
2	TPA6040A4 EVM Schematic	5
3	TPA6040A4 EVM – Top Side Layout	6
4	TPA6040A4 EVM – Bottom Side Layout	6

List of Tables

1	Gain Settings	4
---	---------------------	---

1 Introduction

1.1 Description

The TPA6040A4 evaluation module consists of a single 2-W stereo speaker amplifier and 85-mW DirectPath™ headphone amplifier complete with a small number of external components mounted on a circuit board that can be used to drive speakers and headphones directly with external analog audio sources as inputs. The TPA6040A4 also contains an LDO capable of outputting 4.75 V with a maximum load of 120 mA.

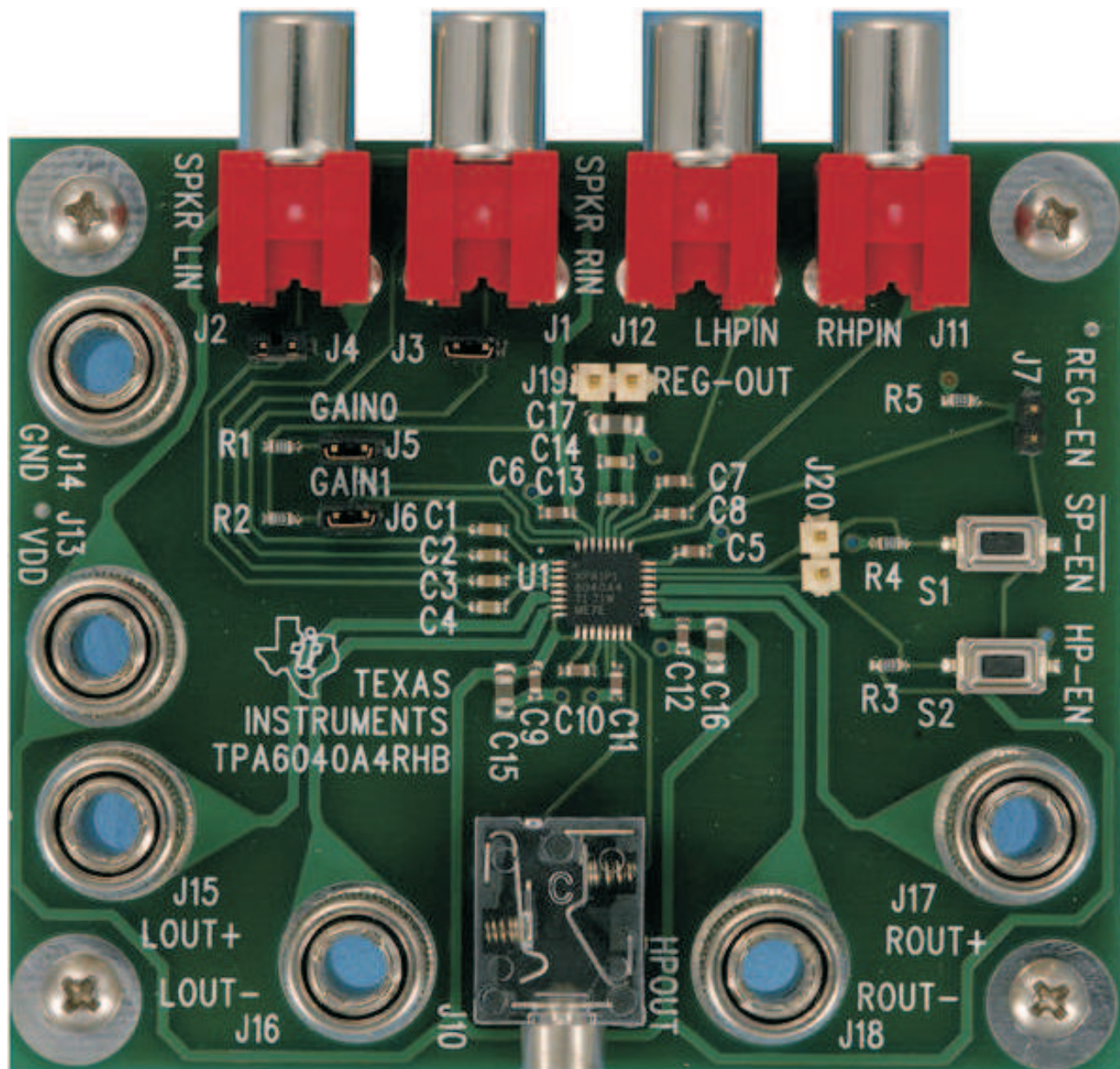


Figure 1. TI TPA6040A4 Audio Power Amplifier EVM – Top View

1.2 TPA6040A4 EVM Specifications

Supply voltage range, VDD	4.5 V to 5.5 V
Supply current, IDD	1 A, maximum
Speaker amplifier output power per channel, P_O : 4 Ω , VDD = 5V, THD+N=10%	2 W
Headphone output power per channel, P_O : 32 Ω , VDD = 5V, THD+N=10%	85 mW

2 Operation

2.1 Quick Start List for Stand-Alone Operation

2.1.1 Speaker Amplifier

Follow these steps to use the TPA6040A4 EVM stand-alone or when connecting it into existing circuits or equipment. Connections to the EVM can be made by inserting stripped wire or using banana plugs for the power supply and output connections. The inputs accept standard RCA plugs.

2.1.2 Power Supply

1. Ensure that all external power sources are set to OFF.
2. Connect an external regulated power supply adjusted to 5 V to the module VDD (**J13**) and GND (**J14**) banana jacks, taking care to observe marked polarity.

2.1.3 Evaluation Module Preparations

Inputs and Outputs

1. If connecting to a fully differential input or a grounded input (the shield of the RCA is GND), remove jumpers **J3** and **J4** from the EVM. If connecting to a floating source like a portable CD, install jumpers **J3** and **J4**. After setting the J3 and J4 jumpers appropriately, connect the input source to either the speaker inputs (**J1** and **J2**) or the headphone inputs (**J11** and **J12**) or both.
2. Connect a speaker across +LOUT (**J15**) and –LOUT (**J16**). Connect another speaker across +ROUT (**J17**) and –ROUT (**J18**).
3. Install both gain jumpers GAIN0 (**J5**) and GAIN1 (**J6**). This sets the gain of the amplifier to the lowest level, 6 dB.
4. Connect a set of headphones to the headphone output jack (**J10**).

Control Inputs

1. **Speaker Enable:** This terminal is active-low. A LOW on the device terminal (<0.8 V) enables the amplifier; a HIGH (>2 V) on the device terminal places the amplifier in the SHUTDOWN state. Holding down switch **S1** places the amplifier in the SHUTDOWN state. Releasing **S1** returns the amplifier to the active state.
2. **Headphone Enable:** This terminal is active-high. A LOW on the device terminal (<0.8 V) shuts down the headphone amplifier; a HIGH (>2 V) on the device terminal places the headphone amplifier in the active state. Holding down switch **S2** places the headphone amplifier in the SHUTDOWN state. Releasing **S2** returns the headphone amplifier to the active state.
3. **GAIN0/GAIN1:** Together, these terminals determine the gain of the amplifier. See [Table 1](#). Installing a jumper in **J5** or **J6** sets the respective terminal to GND. Removing the jumper sets the respective terminals to VDD. Removing jumpers **INCREASES** the gain while installing jumpers **DECREASES** the gain. Logic levels are TTL-compatible.

Table 1. Gain Settings

GAIN0 (J5)⁽¹⁾	GAIN1 (J6)⁽¹⁾	Amplifier Gain (dB)
ON	ON	6
ON	OFF	10
OFF	ON	15.6
OFF	OFF	21.6

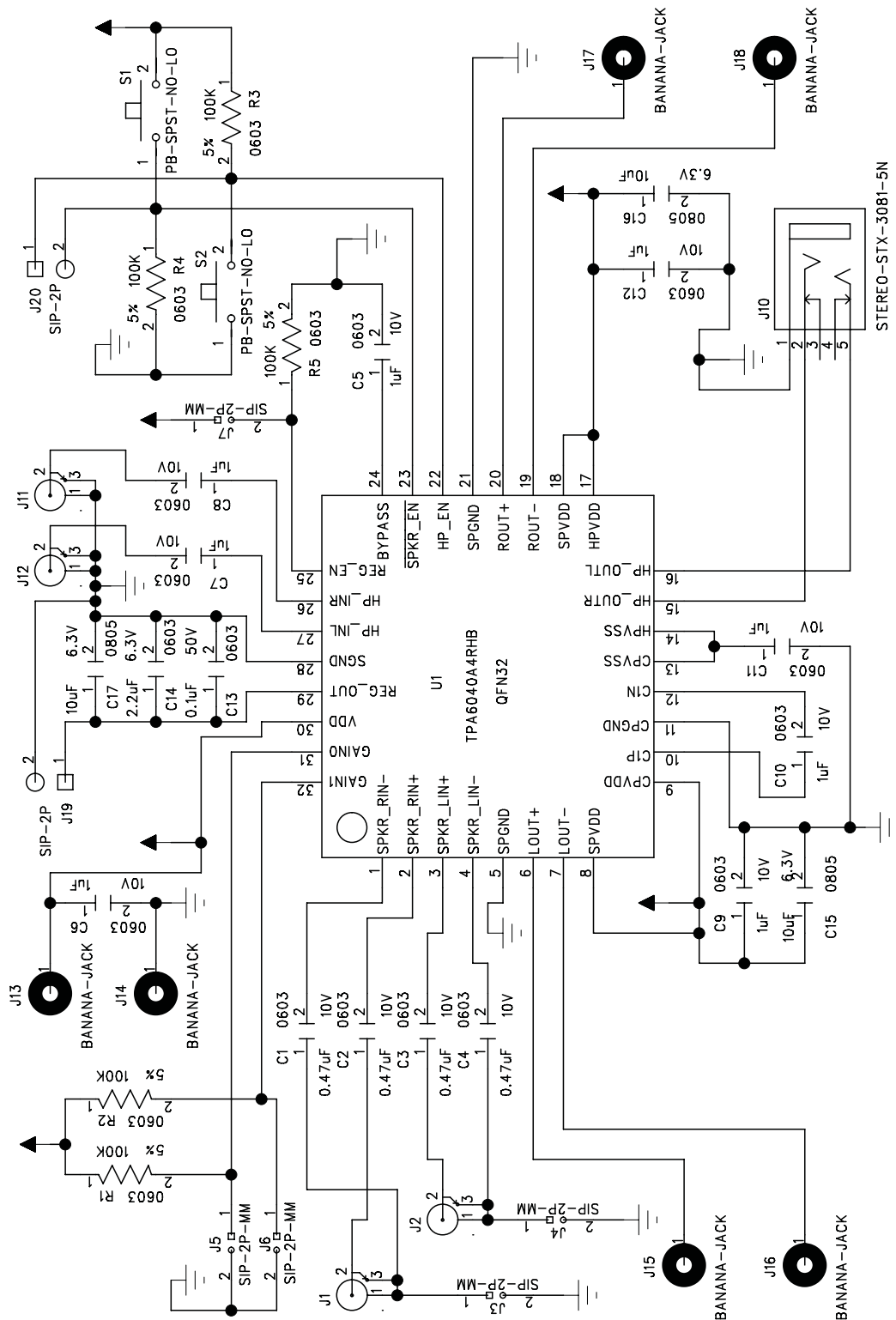
⁽¹⁾ OFF = Jumper REMOVED; ON = Jumper INSTALLED

2.1.4 Power Up

1. Verify correct voltage and input polarity and turn the external power supplies ON. The EVM should begin operation.
2. Adjust the input signal.
3. Adjust the control inputs to the desired settings.
4. Adjust the amplifier gain by installing/removing the gain jumpers, **J5** and **J6**.

3 Schematic and Bill of Materials

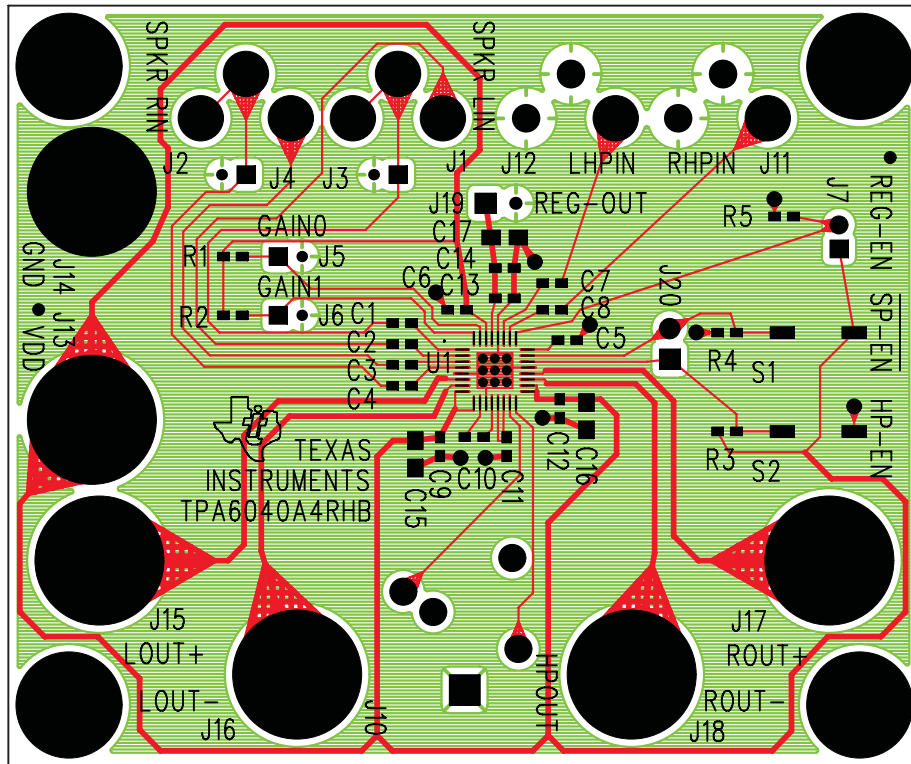
3.1 TPA6040A4 EVM Schematic



S001

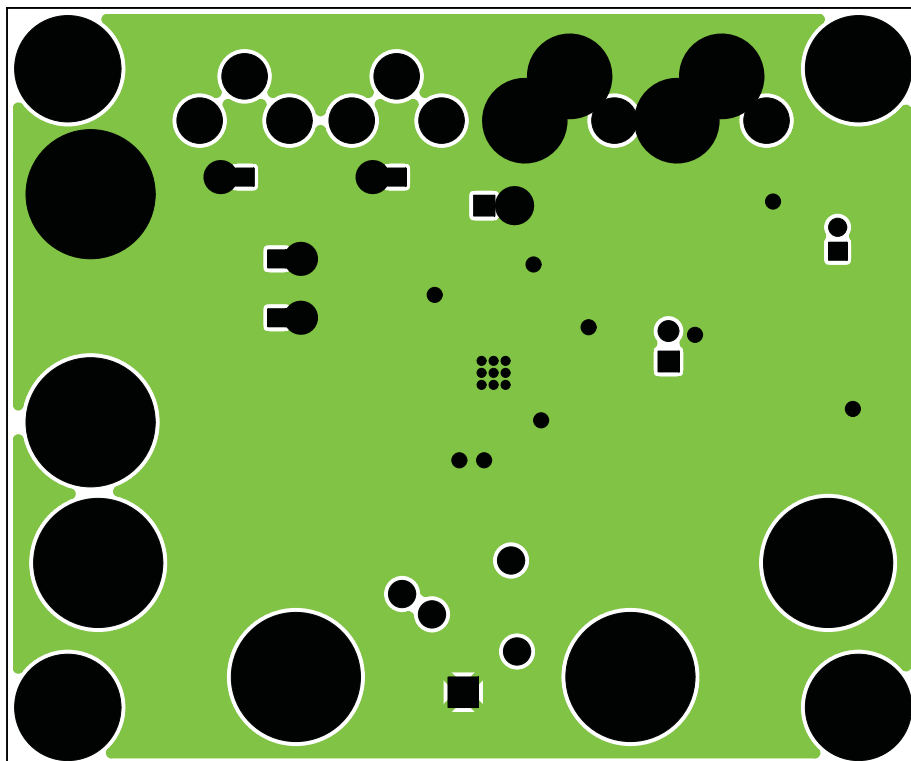
Figure 2. TPA6040A4 EVM Schematic

3.2 TPA6040A4 EVM PCB Layers



K001

Figure 3. TPA6040A4 EVM – Top Side Layout



K002

Figure 4. TPA6040A4 EVM – Bottom Side Layout

3.3 TPA6040A4 EVM Bill of Materials

REF.	DESCRIPTION	SIZE	QTY	MFG	PART NO.	VENDOR NO.
C1–C4	Capacitor, ceramic, 0.47- μ F, \pm 10%, X5R, 10-V	0603	4	TDK	C1608X5R1A474K	Digi-Key/445-1320-2-ND
C5–C12	Capacitor, ceramic, 1- μ F, \pm 10%, X5R, 10-V	0603	8	TDK	C1608X5R1A105KT	Digi-Key/445-1321-2
C13	Capacitor, ceramic, 0.1- μ F, \pm 10%, X7R, 50-V	0603	1	TDK	C1608X7R1H104KT	Digi-Key/445-1314-2
C14	Capacitor, ceramic, 2.2- μ F, 6.3 V, X5R, 20%	0603	1	TDK	C1608X5R0J225M	Digi-Key/445-1323-1-ND
C15–C17	Capacitor, ceramic, 10- μ F, 6.3 V, Y5R, 20%	0805	3	TDK	C2012X5R0J106	Digi-Key/445-1363-1-ND
R1–R5	Resistor, chip, 100 k Ω , 1/10W, 5%	0603	5	Panasonic	ERJ-3GEYJ104V	Digi-Key/P100KG
J1, J2, J11, J12	Phono jack, PC mount, switched		4	Switchcraft	PJLAN1X1U03	Newark/16C1860
J3–J7	Header, 2 position, male	2 mm	5	Norcomp	2163-36-01-P2	Digi-Key/2163S-36
J10	Headphone jack		3	Kycon, Inc.	STX-3081-5N	Mouser/806-STX-3081-5t
J15–J18	Banana jack w/knurled thumbnut (nickel plate)		6	Johnson	111-2223-001	Digi-Key/J587
J19, J20	2 pin 0.1 in. breakaway header	0.1 in.	2	Sullins	PBX26SAAN	Digi-Key/PBC36SAAN
S1, S2	Switch, momentary, SMD, low profile		2	Panasonic	EVQ-PPBA25	Digi-Key/P8086S
U1	TPA6040A4 2-W stereo audio power amplifier	RTV (S-PQFP-N32)	1	TI	TPA6040A4	
32-pin QFN 5-mm sq. and 0,5-mm spacing and exposed thermal pad						

IMPORTANT NOTICE

Texas Instruments Incorporated and its subsidiaries (TI) reserve the right to make corrections, modifications, enhancements, improvements, and other changes to its products and services at any time and to discontinue any product or service without notice. Customers should obtain the latest relevant information before placing orders and should verify that such information is current and complete. All products are sold subject to TI's terms and conditions of sale supplied at the time of order acknowledgment.

TI warrants performance of its hardware products to the specifications applicable at the time of sale in accordance with TI's standard warranty. Testing and other quality control techniques are used to the extent TI deems necessary to support this warranty. Except where mandated by government requirements, testing of all parameters of each product is not necessarily performed.

TI assumes no liability for applications assistance or customer product design. Customers are responsible for their products and applications using TI components. To minimize the risks associated with customer products and applications, customers should provide adequate design and operating safeguards.

TI does not warrant or represent that any license, either express or implied, is granted under any TI patent right, copyright, mask work right, or other TI intellectual property right relating to any combination, machine, or process in which TI products or services are used. Information published by TI regarding third-party products or services does not constitute a license from TI to use such products or services or a warranty or endorsement thereof. Use of such information may require a license from a third party under the patents or other intellectual property of the third party, or a license from TI under the patents or other intellectual property of TI.

Reproduction of information in TI data books or data sheets is permissible only if reproduction is without alteration and is accompanied by all associated warranties, conditions, limitations, and notices. Reproduction of this information with alteration is an unfair and deceptive business practice. TI is not responsible or liable for such altered documentation.

Resale of TI products or services with statements different from or beyond the parameters stated by TI for that product or service voids all express and any implied warranties for the associated TI product or service and is an unfair and deceptive business practice. TI is not responsible or liable for any such statements.

TI products are not authorized for use in safety-critical applications (such as life support) where a failure of the TI product would reasonably be expected to cause severe personal injury or death, unless officers of the parties have executed an agreement specifically governing such use. Buyers represent that they have all necessary expertise in the safety and regulatory ramifications of their applications, and acknowledge and agree that they are solely responsible for all legal, regulatory and safety-related requirements concerning their products and any use of TI products in such safety-critical applications, notwithstanding any applications-related information or support that may be provided by TI. Further, Buyers must fully indemnify TI and its representatives against any damages arising out of the use of TI products in such safety-critical applications.

TI products are neither designed nor intended for use in military/aerospace applications or environments unless the TI products are specifically designated by TI as military-grade or "enhanced plastic." Only products designated by TI as military-grade meet military specifications. Buyers acknowledge and agree that any such use of TI products which TI has not designated as military-grade is solely at the Buyer's risk, and that they are solely responsible for compliance with all legal and regulatory requirements in connection with such use.

TI products are neither designed nor intended for use in automotive applications or environments unless the specific TI products are designated by TI as compliant with ISO/TS 16949 requirements. Buyers acknowledge and agree that, if they use any non-designated products in automotive applications, TI will not be responsible for any failure to meet such requirements.

Following are URLs where you can obtain information on other Texas Instruments products and application solutions:

Products		Applications	
Amplifiers	amplifier.ti.com	Audio	www.ti.com/audio
Data Converters	dataconverter.ti.com	Automotive	www.ti.com/automotive
DSP	dsp.ti.com	Broadband	www.ti.com/broadband
Interface	interface.ti.com	Digital Control	www.ti.com/digitalcontrol
Logic	logic.ti.com	Military	www.ti.com/military
Power Mgmt	power.ti.com	Optical Networking	www.ti.com/opticalnetwork
Microcontrollers	microcontroller.ti.com	Security	www.ti.com/security
Low Power Wireless	www.ti.com/lpw	Telephony	www.ti.com/telephony
		Video & Imaging	www.ti.com/video
		Wireless	www.ti.com/wireless

Mailing Address: Texas Instruments, Post Office Box 655303, Dallas, Texas 75265
Copyright © 2007, Texas Instruments Incorporated