

TPA3126D2 Evaluation Module

This user's guide describes the operation of the TPA3126D2EVM. The user's guide also provides design information such as PCB layout, bill of materials (BOM), and schematic.

Contents

1	Hardware Overview.....	2
2	Operation	2
3	Board Layouts, Bill of Materials, and Schematic	5

List of Figures

1	TPA3126D2EVM.....	2
2	TPA3126D2EVM Top Overlay	5
3	TPA3126D2EVM Bottom Overlay	6
4	TPA3126D2EVM Schematic	9

List of Tables

1	TPA3126D2EVM Specification.....	2
2	Power Requirements	3
3	TPA3126D2EVM Setting 1	4
4	TPA3126D2EVM Setting 2	4
5	TPA3126D2EVM Setting 3	4
6	TPA3126D2EVM Bill of Materials.....	7

Trademarks

All trademarks are the property of their respective owners.

1 Hardware Overview

The TPA3126D2EVM customer evaluation module demonstrates the integrated circuits TPA3126D2 from Texas Instruments (TI). The TPA3126D2 is a 50-W (per channel) efficient stereo digital amplifier power stage for driving two bridge-tied speakers or a single parallel bridge-tied load. This document covers EVM specifications and design documentation.

Figure 1 illustrates the TPA3126D2EVM board.

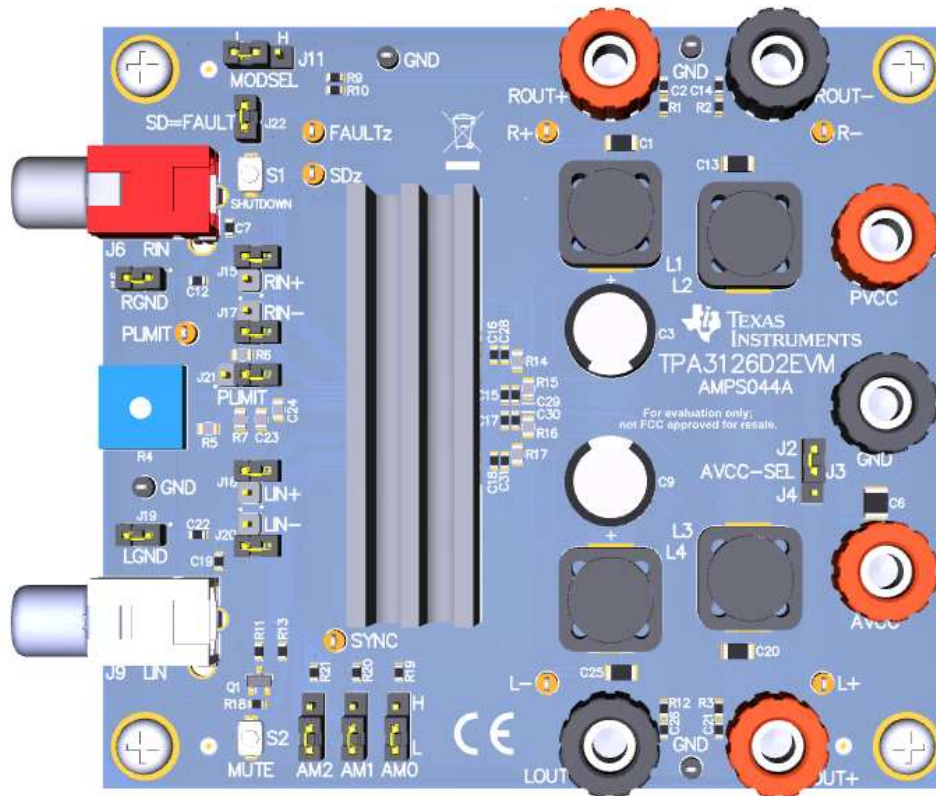


Figure 1. TPA3126D2EVM

Table 1 lists the TPA3126D2EVM specifications.

Table 1. TPA3126D2EVM Specification

Key Parameters	Value
Power supply voltage	4.5 V to 26 V
Number of channels	2 bridge-tied load (BTL) stereo
Load impedance	3.2 Ω to 8 Ω
Output power BTL	50 W per channel
Output power PBTL	100 W

2 Operation

This chapter describes the TPA3126D2EVM board in regards to power supply and system interfaces. The chapter provides information regarding handling and unpacking, absolute operating conditions, and a description of the factory default switch and jumper configurations.

The following sections provide a step-by-step guide to configuring the TPA3126D2EVM for device evaluation.

2.1 Electrostatic Discharge Warning

Many of the components on the TPA3126D2EVM are susceptible to damage by electrostatic discharge (ESD). Customers are advised to observe proper ESD handling precautions when unpacking and handling the EVM.

CAUTION

Failure to observe ESD handling procedures may result in damage to EVM components.

2.2 Unpacking the EVM

When opening the TPA3126D2EVM package, ensure that the following item is included:

- A 1-piece TPA3126D2EVM board using one TPA3126D2.

If the EVM is missing, contact the Texas Instruments Product Information Center nearest you to inquire about a replacement.

2.3 Power Supply Setup

A power supply or separate PVCC/AVCC is required to power up the EVM. Because most of the pins are PVCC compliant, the PVCC supply can also be used to power the analog supply (AVCC) and to pull up the logic pins for shutdown (SD) control, and fault detection (FAULT). [Table 2](#) lists the power requirements.

Table 2. Power Requirements

Description	Voltage Range	Current Requirement	Minimum Wire Size
PVCC/AVCC	4.5 to 26 V	8 A	24 AWG

CAUTION

Applying voltages above the limitations given in [Table 2](#) may cause permanent damage to your hardware.

2.4 Evaluation Module Preparations

Complete the following steps to prepare the EVM for use:

1. Ensure that the external power source is set to OFF.
2. Connect the external regulated power supply adjusted from 4.5 V to 26 V to the module PVCC and GND banana jacks, taking care to observe marked polarity.

2.5 Inputs and Outputs

Use the following instructions for input and output connections:

1. Connect audio inputs, either differential or single-ended, to the LIN and RIN RCA phono plugs for BTL operation. To enable individual channel shutdown feature, tie RINP and RINN directly to Ground (without capacitors) and OUTPL and OUTNL should be working normally in BTL configuration. For PBTL operation, apply a single input, differential or single ended, to the RIN RCA phono plug and tie LINP and LINN directly to Ground (without capacitors).
2. For a BTL Configuration, connect a Load(s) across the outputs (OUTL+ and OUTL-) and (OUTR+ and OUTR-). For PBTL configuration, connect a single load from one of the left speaker jacks to one of the right speaker jacks depending on how the filters are loaded.

2.6 Power Up

Complete the following steps to power up the EVM board:

1. Verify correct voltage and input polarity and turn the external power supplies ON. The EVM should begin operation.
2. Adjust the audio source for the correct volume.

2.7 Recommended Settings

This section contains the recommended settings for stereo, single-channel, and mono output.

Table 3 lists the settings for a single-ended input with auto recovery, Plimit, and BTL (stereo output).

Table 3. TPA3126D2EVM Setting 1

Setting	Description
J6 (RIN)	R channel audio input
J9 (LIN)	L channel audio input
JP1(GNDR+) and JP3(GNDR-),set to OUT	R channel on
JP4(GNDL+) and JP6(GNDL-), set to OUT	L channel on
JP2 (RGND), set to IN	Single ended input (R channel)
JP5 (LGND), set to IN	Single ended input (L channel)
JP7, set to IN	Set PLIMIT
R4	Change PLMIT voltage value
JP8 (/SD=/FAULT) set to IN	Auto recovery mode
J11 (MODESEL=L)	Low idle-loss mode

Table 4 lists the settings for a single-ended input with auto recovery, Plimit, and BTL (single-channel output).

Table 4. TPA3126D2EVM Setting 2

Setting	Description
J6 (RIN)	No audio input
J9 (LIN)	L channel audio input
JP1(GNDR+) and JP3(GNDR-),set to IN	R channel off
JP4(GNDR+) and JP6(GNDR-),set to OUT	L channel on
JP5 (LGND), set to IN	Single ended input (L channel)
JP7, set to IN	Set PLIMIT
R4	Change PLMIT voltage value
JP8 (/SD=/FAULT) set to IN	Auto recovery mode
J11 (MODESEL=L)	Low idle-loss mode

Table 5 lists the settings for a single-ended input with auto recovery, Plimit, and PBTL (mono output).

Table 5. TPA3126D2EVM Setting 3

Setting	Description
J6 (RIN)	R channel audio input
J9 (LIN)	No audio input
JP1(GNDR+) and JP3(GNDR-),set to OUT	R channel on
JP4(GNDL+) and JP6(GNDL-), set to IN	L channel off, PBTL mode
JP2, set to IN	Single ended input (R channel)
JP7, set to IN	Set PLIMIT
R4	Change PLMIT voltage value

Table 5. TPA3126D2EVM Setting 3 (continued)

Setting	Description
JP8 (/SD=/FAULT) set to IN	Auto recovery mode
J11 (MODESEL=L)	Low idle-loss mode

2.8 Separate PVCC/AVCC Supply Support

By supplying a voltage of AVCC which is lower than PVCC (that is PVCC = 24 V and AVCC = 12 V), the power dissipation on internal LDO is reduced. This gives customers the flexibility to choose between extreme low-idle current mode (J3, 1 and 2 set to in, with separate AVCC) and single power supply mode (J3, 2 and 3 set to in, without AVCC).

3 Board Layouts, Bill of Materials, and Schematic

3.1 TPA3126D2EVM Board Layouts

Figure 2 and Figure 3 illustrate the board layouts for the EVM.

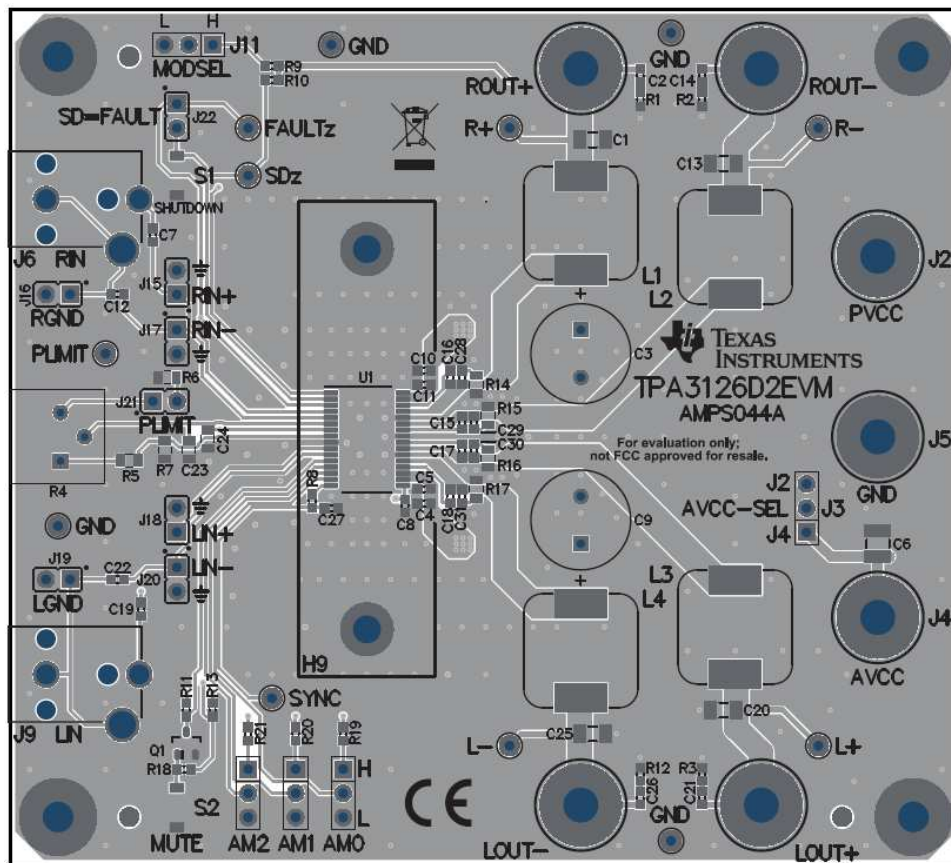


Figure 2. TPA3126D2EVM Top Overlay

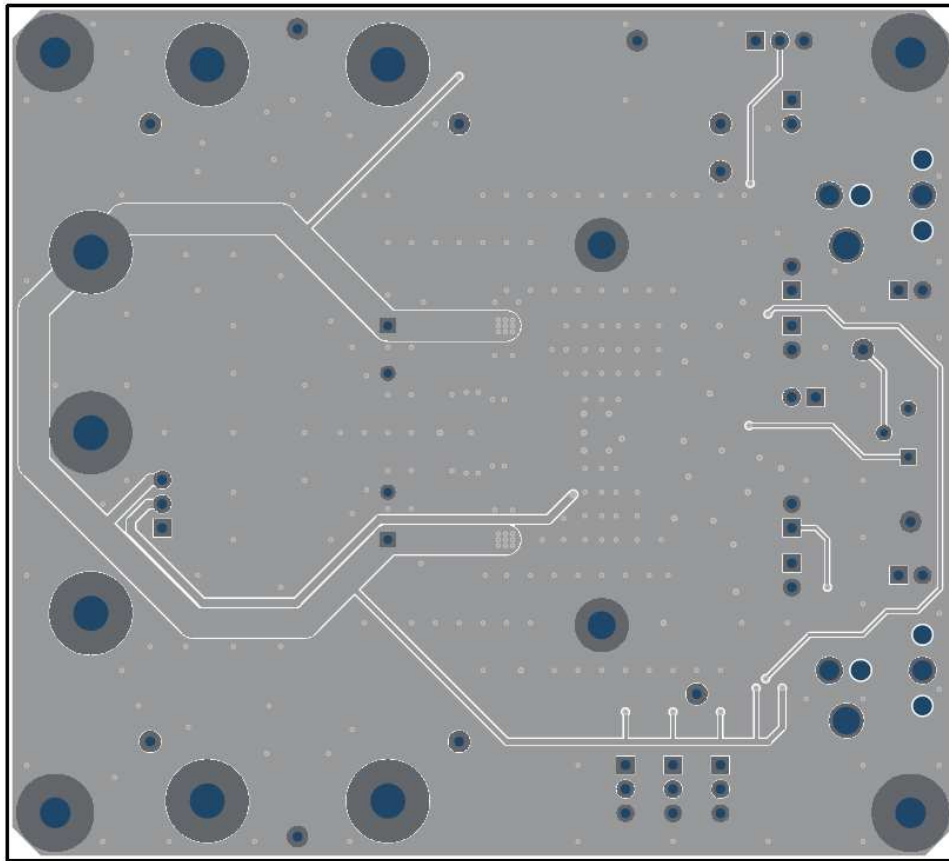


Figure 3. TPA3126D2EVM Bottom Overlay

3.2 Bill of Materials

Table 6 displays the BOM for this EVM.

Table 6. TPA3126D2EVM Bill of Materials⁽¹⁾

Designator	Qty	Value	Description	Package Reference	Part Number	Manufacturer	Alternate Part Number	Alternate Manufacturer
PCB	1		Printed Circuit Board		AMPS044	Any		
C1, C13, C20, C25	4	0.68 μ F	CAP, CERM, 0.68 μ F, 50 V, \pm 10%, X7R, 1206	1206	GRM31MR71H684KA88L	MuRata		
C2, C14, C21, C26	4	0.01 μ F	CAP, CERM, 0.01 μ F, 50 V, \pm 10%, X7R, 0603	0603	GRM188R71H103KA01D	MuRata		
C3, C9	2	220 μ F	CAP, AL, 220 μ F, 35 V, \pm 20%, 0.09 Ω , AEC-Q200 Grade 2, TH	10 \times 12.5 mm	EEU-FC1V221	Panasonic		
C4, C10	2	0.1 μ F	CAP, CERM, 0.1 μ F, 50 V, \pm 10%, X7R, 0603	0603	GCM188R71H104KA57D	MuRata		
C5, C11	2	1000 pF	CAP, CERM, 1000 pF, 50 V, \pm 5%, C0G/NP0, 0603	0603	GRM1885C1H102JA01D	MuRata		
C6	1	10 μ F	CAP, CERM, 10 μ F, 35 V, \pm 10%, X7R, 1210	1210	GRM32ER7YA106KA12L	MuRata		
C7, C12, C19, C22	4	1 μ F	CAP, CERM, 1 μ F, 16 V, \pm 10%, X7R, 0603	0603	GRM188R71C105KA12D	MuRata		
C8	1	1 μ F	CAP, CERM, 1 μ F, 35 V, \pm 10%, X7R, 0603	0603	C1608X7R1V105K080AC	TDK		
C15, C16, C17, C18	4	0.22 μ F	CAP, CERM, 0.22 μ F, 25 V, \pm 10%, X7R, 0603	0603	GRM188R71E224KA88D	MuRata		
C23, C24	2	1 μ F	CAP, CERM, 1 μ F, 16 V, \pm 10%, X7R, 0805	0805	C0805C105K4RACTU	Kemet		
C27	1	47 pF	CAP, CERM, 47 pF, 50 V, \pm 5%, C0G/NP0, 0603	0603	GRM1885C1H470JA01D	MuRata		
H1, H2, H3, H4	4		Machine Screw, Round, 4-40 \times 1/4, Nylon, Phillips Panhead	Screw	NY PMS 440 0025 PH	B&F Fastener Supply		
H5, H6, H7, H8	4			Standoff	1902C	Keystone		
H9	1		Heat Sink for TI MOD 50 \times 13.9 mm	HEAT SINK, 50 \times 13.9 mm	ATS-TI10P-521-C1-R1	Advanced Thermal Solutions		
J1, J2, J4, J8	4		Binding Post, RED, TH	11.4 \times 27.2 mm	7006	Keystone		
J3, J11, J12, J13, J14	5		Header, 100 mil, 3 \times 1, Gold, TH	PBC03SAAN	PBC03SAAN	Sullins Connector Solutions		
J5, J7, J10	3		Binding Post, BLACK, TH	11.4 \times 27.2 mm	7007	Keystone		
J6	1		RCA Jack, Red, R/A, TH	PC Mount Phono Jack-Red, TH	971	Keystone		
J9	1		RCA Jack, White, R/A, TH	PC Mount Phono Jack-White, TH	970	Keystone		
J15, J16, J17, J18, J19, J20, J21, J22	8		Header, 100 mil, 2 \times 1, Gold, TH	Sullins 100 mil, 1 \times 2, 230 mil above insulator	PBC02SAAN	Sullins Connector Solutions		
L1, L2, L3, L4	4	10 μ H	Inductor, Shielded Drum Core, Ferrite, 10 μ H, 7.1 A, 0.01294 Ω , SMD	SMD	7447709100	Würth Elektronik		
Q1	1	40 V	Transistor, NPN, 40 V, 0.6 A, SOT-23	SOT-23	MMBT2222ALT1G	ON Semiconductor		

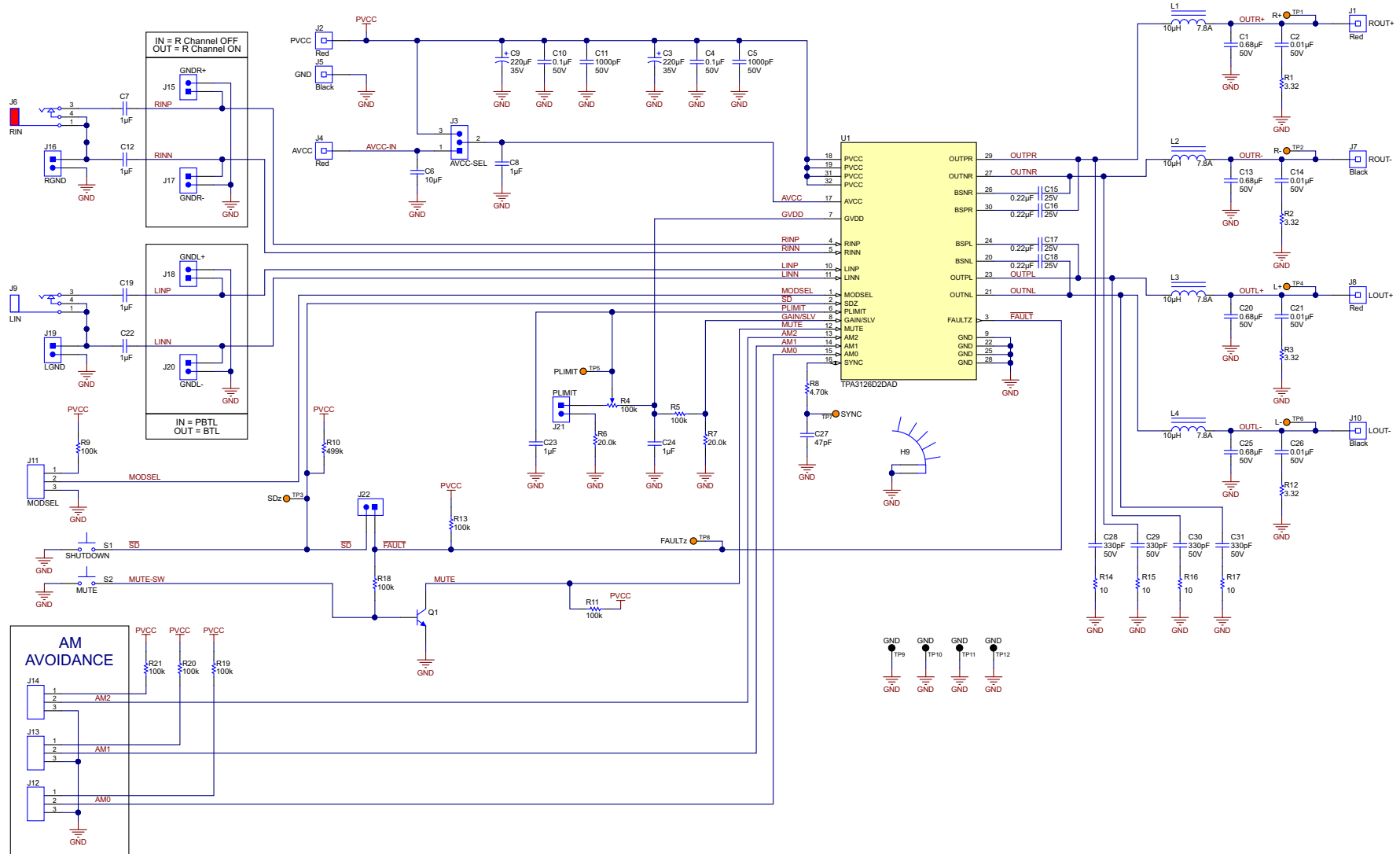
⁽¹⁾ Unless otherwise noted in the Alternate Part Number and/or Alternate Manufacturer columns, all parts may be substituted with equivalents.

Table 6. TPA3126D2EVM Bill of Materials⁽¹⁾ (continued)

Designator	Qty	Value	Description	Package Reference	Part Number	Manufacturer	Alternate Part Number	Alternate Manufacturer
R1, R2, R3, R12	4	3.32	RES, 3.32, 1%, 0.1 w, 0603	0603	RC0603FR-073R32L	Yageo America		
R4	1	100 k	TRIMMER, 100 k Ω , 0.5 W, TH	375 x 190 x 375 mil	3386P-1-104LF	Bourns		
R5	1	100 k	RES, 100 k, 1%, 0.125 W, 0805	0805	ERJ-6ENF1003V	Panasonic		
R6, R7	2	20.0 k	RES, 20.0 K, 1%, 0.125 w, 0805	0805	ERJ-6ENF2002V	Panasonic		
R8	1	4.70 k	RES, 4.70 K, 0.1%, 0.1 W, 0603	0603	RG1608P-472-B-T5	Susumu Co Ltd		
R9, R11, R13, R18, R19, R20, R21	7	100 k	RES, 100 k, 1%, 0.1 W, 0603	0603	RC0603FR-07100KL	Yageo America		
R10	1	499 k	RES, 499 k, 1%, 0.1 W, 0603	0603	RC0603FR-07499KL	Yageo America		
S1, S2	2		Switch, Tactile, SPST-NO, 0.05 A, 12 V, SMT	Switch, 4.4 x 2 x 2.9 mm	TL1015AF160QG	E-Switch		
SH-J1, SH-J2, SH-J3, SH-J4, SH-J5, SH-J6, SH-J7, SH-J8, SH-J9, SH-J10, SH-J11, SH-J12, SH-J13	13	1 x 2	Shunt, 100 mil, Gold plated, Black	Shunt	SNT-100-BK-G	Samtec	969102-0000-DA	3M
TP1, TP2, TP3, TP4, TP5, TP6, TP7, TP8	8		Test Point, Miniature, Orange, TH	Orange Miniature Testpoint	5003	Keystone		
TP9, TP10, TP11, TP12	4		Test Point, Miniature, Black, TH	Black Miniature Testpoint	5001	Keystone		
U1	1		2 x 50-W, Analog Input, Stereo, Class-d Audio Amplifier with Low Idle Power Dissipation, DAD0032A (TSSOP-32)	DAD0032A	TPA3126D2DAD	Texas Instruments	TPA3126D2DAD	Texas Instruments
C28, C29, C30, C31	0	330 pF	CAP, CERM, 330 pF, 50 V, \pm 5%, C0G/NP0, 0603	0603	GRM1885C1H331JA01D	MuRata		
FID1, FID2, FID3	0		Fiducial mark. There is nothing to buy or mount.	N/A	N/A	N/A		
R14, R15, R16, R17	0	10	RES, 10, 5%, 0.125 W, 0805	0805	CRCW080510R0JNEA	Vishay-Dale		

3.3 TPA3126D2EVM Schematic

The schematics for TPA3126D2EVM are illustrated in Figure 4



Copyright © 2018, Texas Instruments Incorporated

Figure 4. TPA3126D2EVM Schematic

IMPORTANT NOTICE FOR TI DESIGN INFORMATION AND RESOURCES

Texas Instruments Incorporated ("TI") technical, application or other design advice, services or information, including, but not limited to, reference designs and materials relating to evaluation modules, (collectively, "TI Resources") are intended to assist designers who are developing applications that incorporate TI products; by downloading, accessing or using any particular TI Resource in any way, you (individually or, if you are acting on behalf of a company, your company) agree to use it solely for this purpose and subject to the terms of this Notice.

TI's provision of TI Resources does not expand or otherwise alter TI's applicable published warranties or warranty disclaimers for TI products, and no additional obligations or liabilities arise from TI providing such TI Resources. TI reserves the right to make corrections, enhancements, improvements and other changes to its TI Resources.

You understand and agree that you remain responsible for using your independent analysis, evaluation and judgment in designing your applications and that you have full and exclusive responsibility to assure the safety of your applications and compliance of your applications (and of all TI products used in or for your applications) with all applicable regulations, laws and other applicable requirements. You represent that, with respect to your applications, you have all the necessary expertise to create and implement safeguards that (1) anticipate dangerous consequences of failures, (2) monitor failures and their consequences, and (3) lessen the likelihood of failures that might cause harm and take appropriate actions. You agree that prior to using or distributing any applications that include TI products, you will thoroughly test such applications and the functionality of such TI products as used in such applications. TI has not conducted any testing other than that specifically described in the published documentation for a particular TI Resource.

You are authorized to use, copy and modify any individual TI Resource only in connection with the development of applications that include the TI product(s) identified in such TI Resource. NO OTHER LICENSE, EXPRESS OR IMPLIED, BY ESTOPPEL OR OTHERWISE TO ANY OTHER TI INTELLECTUAL PROPERTY RIGHT, AND NO LICENSE TO ANY TECHNOLOGY OR INTELLECTUAL PROPERTY RIGHT OF TI OR ANY THIRD PARTY IS GRANTED HEREIN, including but not limited to any patent right, copyright, mask work right, or other intellectual property right relating to any combination, machine, or process in which TI products or services are used. Information regarding or referencing third-party products or services does not constitute a license to use such products or services, or a warranty or endorsement thereof. Use of TI Resources may require a license from a third party under the patents or other intellectual property of the third party, or a license from TI under the patents or other intellectual property of TI.

TI RESOURCES ARE PROVIDED "AS IS" AND WITH ALL FAULTS. TI DISCLAIMS ALL OTHER WARRANTIES OR REPRESENTATIONS, EXPRESS OR IMPLIED, REGARDING TI RESOURCES OR USE THEREOF, INCLUDING BUT NOT LIMITED TO ACCURACY OR COMPLETENESS, TITLE, ANY EPIDEMIC FAILURE WARRANTY AND ANY IMPLIED WARRANTIES OF MERCHANTABILITY, FITNESS FOR A PARTICULAR PURPOSE, AND NON-INFRINGEMENT OF ANY THIRD PARTY INTELLECTUAL PROPERTY RIGHTS.

TI SHALL NOT BE LIABLE FOR AND SHALL NOT DEFEND OR INDEMNIFY YOU AGAINST ANY CLAIM, INCLUDING BUT NOT LIMITED TO ANY INFRINGEMENT CLAIM THAT RELATES TO OR IS BASED ON ANY COMBINATION OF PRODUCTS EVEN IF DESCRIBED IN TI RESOURCES OR OTHERWISE. IN NO EVENT SHALL TI BE LIABLE FOR ANY ACTUAL, DIRECT, SPECIAL, COLLATERAL, INDIRECT, PUNITIVE, INCIDENTAL, CONSEQUENTIAL OR EXEMPLARY DAMAGES IN CONNECTION WITH OR ARISING OUT OF TI RESOURCES OR USE THEREOF, AND REGARDLESS OF WHETHER TI HAS BEEN ADVISED OF THE POSSIBILITY OF SUCH DAMAGES.

You agree to fully indemnify TI and its representatives against any damages, costs, losses, and/or liabilities arising out of your non-compliance with the terms and provisions of this Notice.

This Notice applies to TI Resources. Additional terms apply to the use and purchase of certain types of materials, TI products and services. These include; without limitation, TI's standard terms for semiconductor products (<http://www.ti.com/sc/docs/stdterms.htm>), [evaluation modules](#), and [samples](http://www.ti.com/sc/docs/sampterm.htm) (<http://www.ti.com/sc/docs/sampterm.htm>).

Mailing Address: Texas Instruments, Post Office Box 655303, Dallas, Texas 75265
Copyright © 2018, Texas Instruments Incorporated