



bq26501 Single Cell Battery Fuel Gauge Evaluation Module

User's Guide

EVM IMPORTANT NOTICE (CATEGORY B)

IMPORTANT: TI is providing the enclosed **HPA033** evaluation module under the following conditions:

This evaluation module (EVM) being provided by Texas Instruments (TI) is intended for use for **ENGINEERING DEVELOPMENT OR EVALUATION PURPOSES ONLY** and is not considered by Texas Instruments to be fit for commercial use. As such, this EVM may not be complete in terms of design and/or manufacturing related protective considerations including product safety measures typically found in the end-product incorporating the module. As a prototype, this product does not fall within the scope of the European Union Directive on electromagnetic compatibility and on low voltage and therefore may not meet the technical requirements of the directive. This EVM is not subject to the EU marking requirements.

- Should this EVM not meet the specifications indicated in the User's Guide the EVM may be returned within 30 days from the date of delivery for a full refund. **THE FOREGOING WARRANTY IS THE EXCLUSIVE WARRANTY MADE BY TI AND IS IN LIEU OF ALL OTHER WARRANTIES, EXPRESSED, IMPLIED, OR STATUTORY, INCLUDING ANY WARRANTY OF MERCHANTABILITY OR FITNESS FOR ANY PARTICULAR PURPOSE.**
- The user assumes all responsibility and liability for proper and safe handling of the EVM. The user acknowledge that the use of the EVM could present serious hazards and that it is the user's responsibility to take all precautions for the handling and use of the EVMs in accordance with good laboratory practices. Please be aware that the products received may not be regulatory compliant or agency certified (FCC, UL, etc.). Due to the open construction of the product, it is the user's responsibility to take any and all appropriate precautions with regard to electrostatic discharge.
- **NEITHER PARTY WILL BE LIABLE TO THE OTHER FOR ANY INDIRECT, SPECIAL, INCIDENTAL, OR CONSEQUENTIAL DAMAGES.**
- TI is currently dealing with various customers for products, and therefore our arrangement with the user **will not be exclusive.**
- TI assumes **no liability for applications assistance, customer product design, software performance, or infringement of patents or services described herein.**
- Please read the User's Guide and specifically the section in the User's Guide pertaining to warnings and restrictions prior to handling the product. This section contains important information regarding high temperature and voltages which TI recommends to be read before handling the EVMs. In case of any doubt regarding safety, please contact the TI application engineer.
- Persons handling the product should have electronics training and observe good laboratory practice standards.
- No license is granted under any patent right or other intellectual property right of TI covering or relating to any combination, machine, or process in which such TI products or services might be or are used.
- This Agreement is subject to the laws of the State of Texas, excluding the body of conflicts of laws and the United Nations Convention on the International Sale of Goods, and will be subject to the exclusive jurisdiction of the courts of the State of Texas.

DYNAMIC WARNINGS AND RESTRICTIONS

It is important to operate this EVM within the maximum input voltage ranges specified in Table 4.

Exceeding the specified input range may cause unexpected operation and/or irreversible damage to the EVM. If there are questions concerning the input range, please contact a TI field representative prior to connecting the input power.

Applying loads outside of the specified output range may result in unintended operation and/or possible permanent damage to the EVM. Please consult the EVM User's Guide prior to connecting any load to the EVM output. If there is uncertainty as to the load specification, please contact a TI field representative.

During normal operation, some circuit components may have case temperatures greater than 50°C. The EVM is designed to operate properly with certain components above 50°C as long as the input and output ranges are maintained. These components include but are not limited to linear regulators, switching transistors, pass transistors, and current sense resistors. These types of devices can be identified using the EVM schematic located in the EVM User's Guide. When placing measurement probes near these devices during operation, please be aware that these devices may be very warm to the touch.

Mailing Address:

Texas Instruments
Post Office Box 655303
Dallas, Texas 75265

Copyright © 2004, Texas Instruments Incorporated

bq26501 Single Cell Battery Fuel Gauge Evaluation Module

Portable Power Products

ABSTRACT

The bq26501EVM is a complete evaluation system for the bq26501 single cell Li-Ion and Li-Polymer battery gas gauge device. The EVM includes one bq26501 circuit module, an EV2300 PC interface board for gas gauge evaluation, a USB cable, CD ROM including windows-based PC software and support documentation.

Contents

| | | |
|----------|--|-----------|
| 1 | Introduction | 6 |
| 1.1 | Features | 6 |
| 1.2 | Kit Contents | 6 |
| 1.3 | Ordering Information | 6 |
| 2 | bq26501EVM Based Circuit Module | 7 |
| 2.1 | Test Points | 7 |
| 3 | bq26501EVM Circuit Module Schematic | 7 |
| 3.1 | Schematic | 7 |
| 4 | Circuit Module Physical Layouts | 9 |
| 4.1 | Board Layout | 9 |
| 5 | bq26501EVM Circuit Module List of Materials | 9 |
| 6 | bq26501EVM Circuit Module Performance Specification Summary | 10 |
| 7 | EVM Hardware and Software Setup | 11 |
| 7.1 | Software Installation | 11 |
| 7.2 | Hardware Connection | 12 |
| 7.2.1 | Connecting the bq26501EVM circuit module to a battery pack | 12 |
| 7.2.2 | PC interface connection | 12 |
| 8 | Operation | 13 |
| 8.1 | Starting the Program | 13 |
| 8.2 | Initialization | 14 |
| 8.2.1 | Loading the sense resistor value | 14 |
| 8.2.2 | Programming the bq26501 EEPROM | 13 |
| 8.2.3 | Resetting the bq26501 | 15 |
| 8.3 | Configuring the Register Screen | 14 |
| 8.4 | The Pro Screen | 15 |
| 8.5 | Data Logging | 16 |

List of Figures

| | |
|--|-----------|
| Figure 1. bq26501EVM Schematic | 8 |
| Figure 2. bq26501EVM Circuit Module Layout | 9 |
| Figure 3. bq26501EVM Circuit Module Connection to Cells and System Load/Charger | 12 |
| Figure 4. Initial Register Screen | 13 |
| Figure 5. EEPROM Screen | 14 |
| Figure 6. Pro Screen | 15 |

List of Tables

| | |
|---|-----------|
| Table 1. Ordering Information | 6 |
| Table 2. Test Points | 7 |
| Table 3. List of Materials | 11 |
| Table 4. Performance Specification Summary | 11 |
| Table 5. Circuit Module-to-PC Interface Board Connection | 12 |
| Table 6. Example Data Logging | 16 |

1 Introduction

The bq26501EVM is a complete evaluation system for the bq26501 single cell Li-Ion and Li-Polymer battery gas gauge device. The EVM includes one bq26501 circuit module, an EV2300 PC interface board for gas gauge evaluation, a USB cable, CD ROM including windows-based PC software and support documentation. The circuit module includes one bq26501, a current sense resistor and all other components on-board necessary to calculate remaining battery capacity and predict at rate time to empty. The circuit module connects directly across the cell in a battery. With the PC interface board and software, the user can read the bq26501 data registers, program the on-chip configuration EEPROM, and evaluate the functions of the bq26501 under different charge and discharge conditions.

1.1 Features

- Complete evaluation system for the bq26501 battery gas gauge
- Populated circuit module for quick setup
- PC software and interface board for easy evaluation
- Software allows EEPROM programming and data logging for system analysis

1.2 Kit Contents

1. bq26501 circuit module with sense resistor
2. PC interface board (EV2300 for USB interface)
3. CD ROM including windows-based PC software and support documentation
4. USB cable
5. Set of support documentation

1.3 Ordering Information

Table 1. Ordering Information

| EVM PART NUMBER | PC INTERFACE BOARD | CHEMISTRY | PACK VOLTAGE | CAPACITY |
|-----------------|--------------------|-----------|----------------|-----------------|
| bq26501EVM | USB | Li-Ion | 2.6 V to 4.5 V | 100 to 2000 mah |

2 bq26501EVM Based Circuit Module

The bq26501EVM based circuit module is an example circuit for battery fuel gauging of a single cell Li-Ion/Li-Polymer battery pack. There are two separate circuits on the EVM module. One is the active bq26501 fuel gauging circuitry; the other is the logic and power control to program the on-chip configuration EEPROM of the bq26501. In a typical application, only the active fuel gauging circuitry is required. The EEPROM programming circuitry would be required in a test setup to configure the bq26501 for the application by programming the EEPROM.

Contacts on the circuit module provide direct connection to the cell (J1–1, J2–2), the serial communications port (J1–3). The system load and charger connect across J1–1 and J2–1.

2.1 Test Points

Table 2. Test Points

| TEST POINT | SIGNAL NAME | DESCRIPTION |
|------------|--|--|
| J1–1 | PACK+ | Cell positive/pack positive |
| J1–2 | GPIO | GPIO pin of the bq26501 |
| J1–3 | HDQ | Serial communications port |
| J2–1 | PACK– | Pack negative |
| J2–2 | BAT– | Cell negative |
| J3–1 | 21V | High voltage for EEPROM programming |
| J3–2 | PROG | Input for timing of EEPROM programming pulse |
| J3–3 | VSS | Programming ground |
| J4 | 1–2 jumper position for programming EEPROM 2–3 jumper position for normal bq26501 operation (fuel gauging) | |

3 bq26501EVM Circuit Module Schematic

The schematic shows the circuit for the bq26501EVM implementation.

3.1 Schematic

Figure 1 shows the bq26501EVM circuit module schematic diagram.

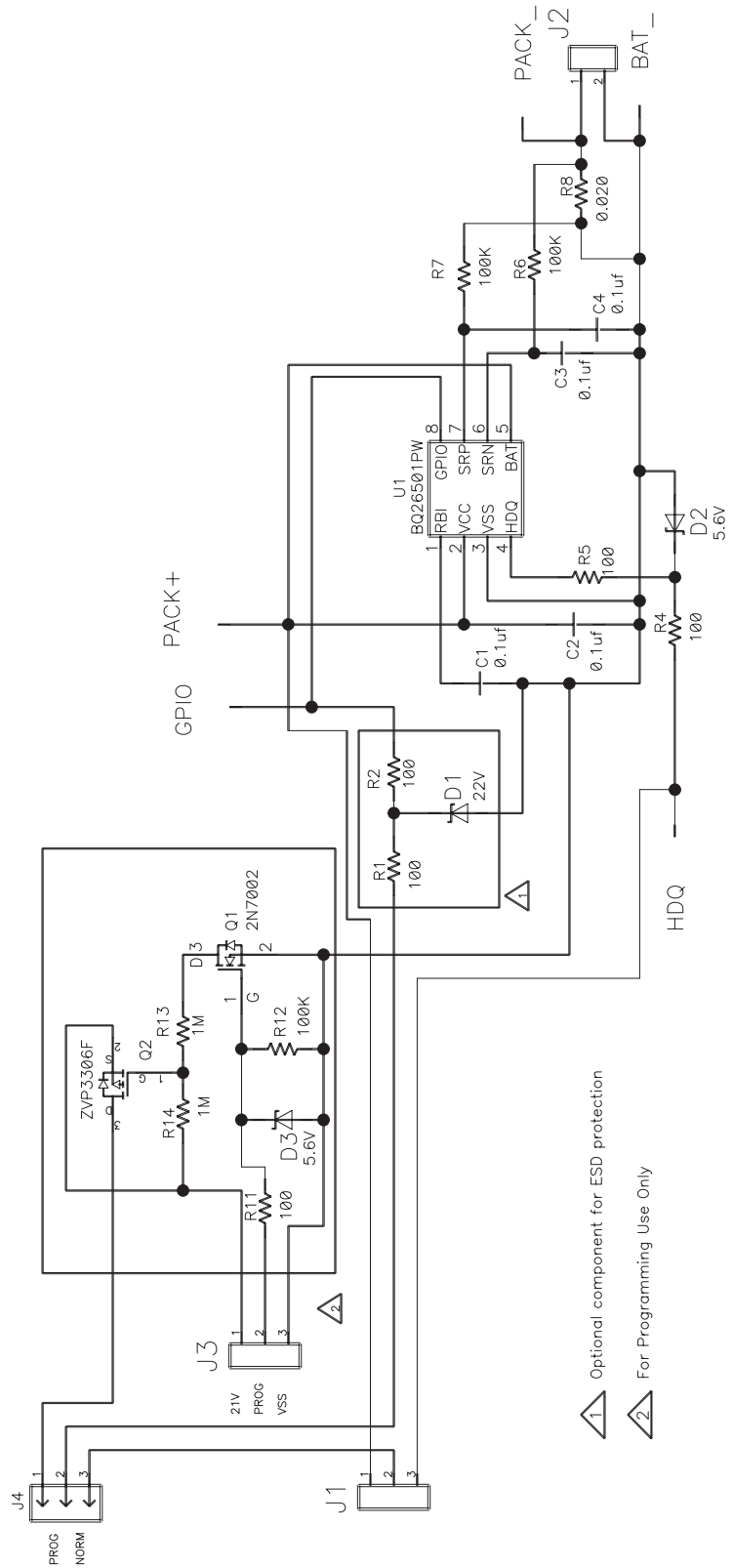


Figure 1. bq26501EVM Schematic

4 Circuit Module Physical Layouts

This chapter contains the board layout and assembly drawings for the bq26501EVM circuit module.

4.1 Board Layout

Figure 2, 3, 4 and 5 shows the PCB layers and assembly drawing for the bq26501EVM circuit module.

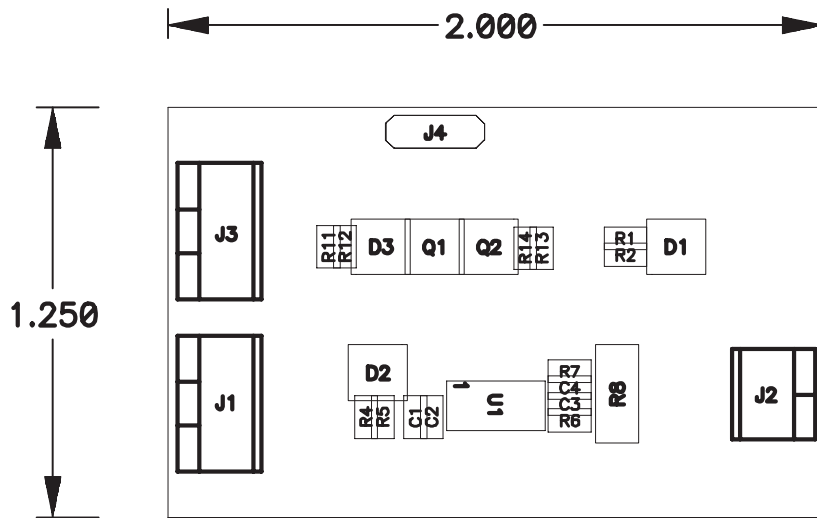


Figure 2. bq26501EVM Topside Assembly

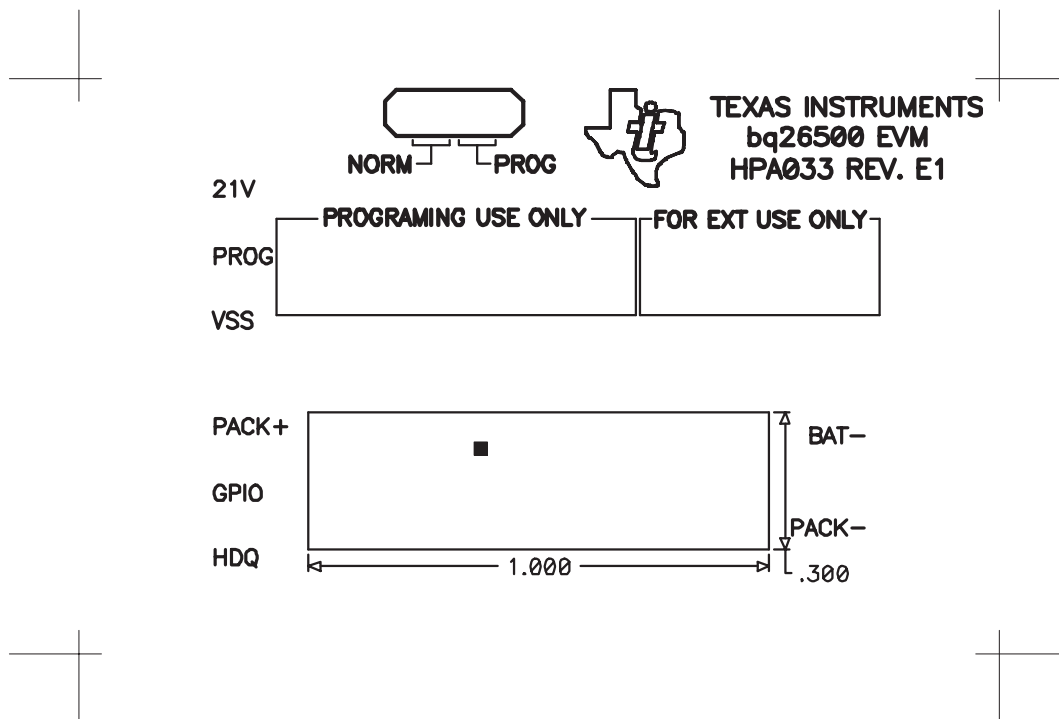


Figure 3. bq26501EVM Silkscreen

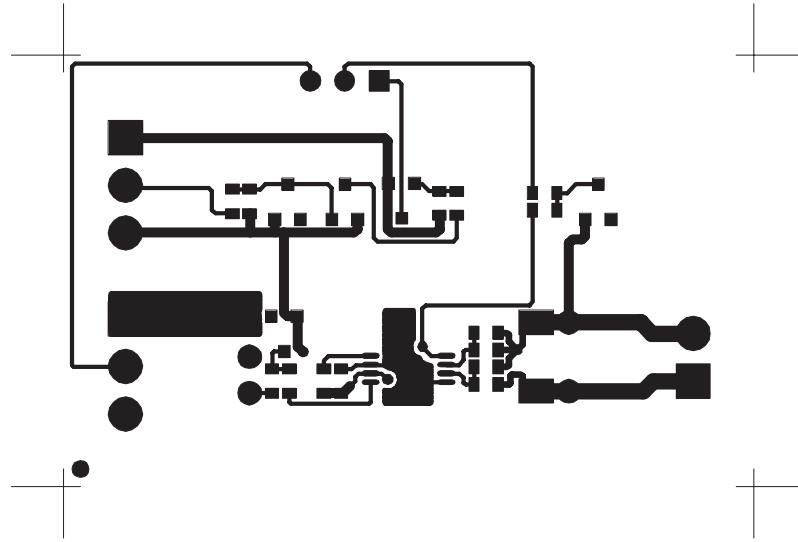


Figure 4. bq26501EVM Layer 1 Layout

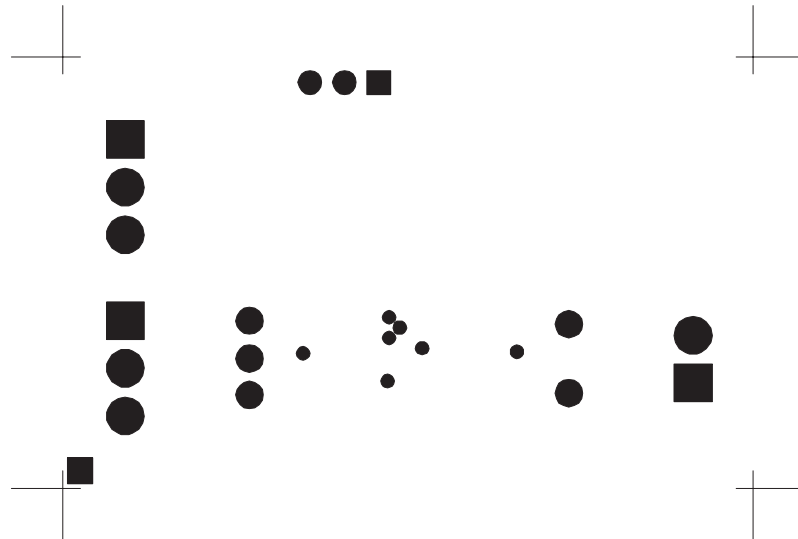


Figure 5. bq26501EVM Layer 2 Layout

5 bq26501EVM Circuit Module List of Materials

List of materials required for the bq26501EVM circuit module.

Table 3. List of Materials

| REFDES | QTY | DESCRIPTION | MFR | PART NUMBER |
|---------------------|-----|---|-------------------|----------------|
| C1, C2, C3, C4 | 4 | Capacitor, ceramic, 0.1 μ F, 16 V, X7R, 603 | muRata | GRM39X7R104K16 |
| D1 | 1 | Diode, Zener, 22 V, 350 mW, SOT23 | Diodes, Inc. | BZX84C22 |
| D2, D3 | 2 | Diode, Zener, 5.6 V, 350 mW, SOT23 | Diodes, Inc. | BZX84C5V6T |
| Q1 | 1 | MOSFET, N-channel, 2N7002, 60 V, 115 mA, 1.2 Ω , SOT23 | Vishay–Liteon | 2N7002DICT |
| Q2 | 1 | MOSFET, P-channel, ZVP3306F, –60 V, 0.09 A, 14 Ω , SOT23 | Zetex | ZVP3306F |
| R1, R2, R4, R5, R11 | 5 | Resistor, chip, 100 Ω , 1/16 W, 5%, 603 | Std | Std |
| R13, R14 | 2 | Resistor, Chip, 1 M, 1/16 W, 5%, 603 | Std | Std |
| R6, R7, R12 | 3 | Resistor, Chip, 100 k Ω , 1/16 W, 5%, 603 | Std | Std |
| R8 | 1 | Resistor, Chip, 0.020 Ω , 1/2 W, 2%, 2010 | Dale | WSL2010–R020 |
| U1 | 1 | Single cell Li-Ion/Polymer gas gauge device, TSSOP–08 | Texas Instruments | bq26501PW |
| J1, J3 | 2 | Terminal blocks, 3 position | OST | ED1515 |
| J2 | 1 | Terminal blocks, 2 position | OST | ED1514 |
| J4 | 1 | Header, 3-pin, 100-mil spacing, (36-pin strip) | Sullins | PTC36SAAN |
| N/A | 1 | Shunt | Any | HPA033 |
| N/A | 1 | PCB | Any | HPA033 |

6 bq26501EVM Circuit Module Performance Specification Summary

This section summarizes the performance specifications of the bq26501EVM circuit module. Table 4 gives the performance specifications of the circuit.

Table 4. Performance Specification Summary

| SPECIFICATION | MIN | TYP | MAX | UNITS |
|------------------------------|-----|-----|-----|-------|
| Input Voltage PACK+/BAT– | 2.6 | | 4.5 | V |
| Charge and Discharge Current | | | 3 | A |

NOTES: 1. Charge and discharge max. is limited by the PCB design and power dissipation of the 20-m Ω 1/2-W sense resistor included in the kit.

7 EVM Hardware and Software Setup

This section describes how to install the bq26501EVM PC software and how to connect the different components of the EVM.

7.1 Software Installation

The following steps install the bq26501 evaluation software:

1. Insert CD ROM into a CD ROM drive.
2. Select the CD ROM drive using **My Computer** or **File Manager**.
3. Select the ReadMeFirst.txt file.
4. Follow the instructions to install USB drivers for EV2300.
5. After installing the USB drivers for EV2300, double-click on the Setup.exe icon.
6. The setup program installs a windows application group.

7.2 Hardware Connection

There are three hardware components to the bq26501EVM:

- The bq26501EVM circuit module,
- The PC interface board,
- And the PC.

7.2.1 Connecting the bq26501EVM circuit module to a battery pack

Figure 6. shows how to connect the bq26501EVM circuit module to a Li-Ion cell and the system load/charger.

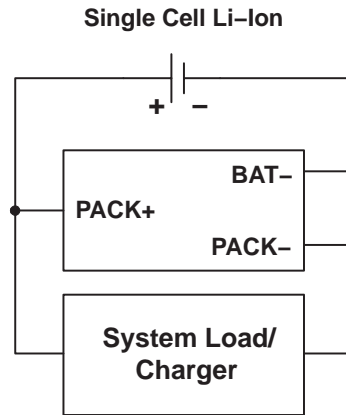


Figure 6. bq26501EVM Circuit Module Connection to Cells and System Load/Charger

7.2.2 PC Interface Connection

The following steps configure the hardware for interface to the PC:

1. Connect colored wires that are included with EV2300 to bq26501EVM using Table 5 as a guide.
2. Connect the connector with colored wires to the HDQ connector that is on EV2300. HDQ connection is located on the top right of EV2300.
3. Connect the PC USB cable to the EV2300 and the PC USB port.

The bq26501EVM is now set up for operation.

Table 5. Circuit Module-to-EV2300 Connection

| BQ26501EVM | COLOR |
|------------|-------|
| HDQ | BROWN |
| PACK- | BLACK |
| PROG | WHITE |
| PACK+(1) | RED |

NOTES: (1) This connection is not useful when using a system load, charger or a power source (battery or external power supply).

8 Operation

This section details the operation of the bq26501EVM software.

8.1 Starting the Program

Run the program from the **Start|Programs|Texas Instruments|bq26501 Battery Monitor** menu sequence. The software defaults to PC USB port for communication. If the EV2300 is connected to USB port, the program should load and display the initial data screen.

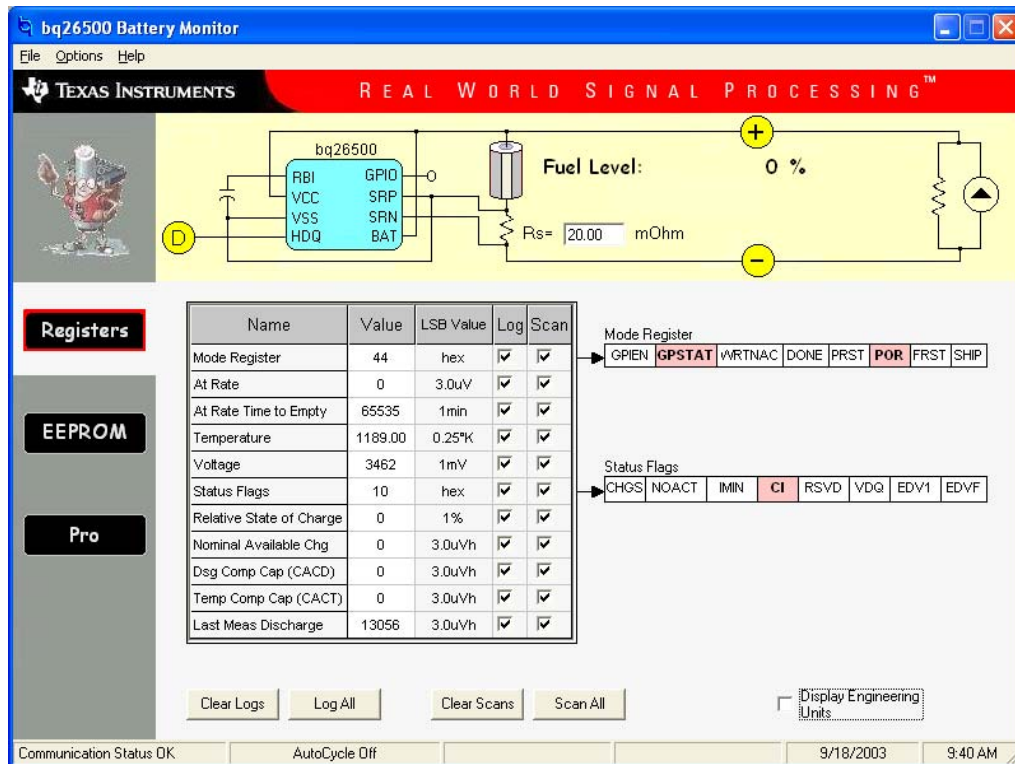


Figure 7. Initial Register Screen

If the EV2300 is not connected to a USB port, the program will display a USB error message and then display the initial data screen with no data in the register locations.

The com port can be changed by selecting the port under the options menu.

8.2 Initialization

This section describes the settings that must be made before the bq26501 is evaluated.

8.2.1 Loading the sense resistor value

The bq26501EVM comes with a 20-m Ω sense resistor on the circuit board. Make sure the sense resistor value is entered in the R_S box at the top of the initial register screen. This value is used by the PC program to convert the bq26501 data set to engineering units. Checking the display engineering units box displays the data set in engineering units. No check mark displays the data set just as the bq26501 calculates them, ie, in units of 3.0-uVh counts.

8.2.2 Programming the bq26501 EEPROM

Each bq26501 is programmed at the factory with default values in the EEPROM. The values in EEPROM should be changed to match specific applications. The EEPROM values can be read by using the EEPROM screen.

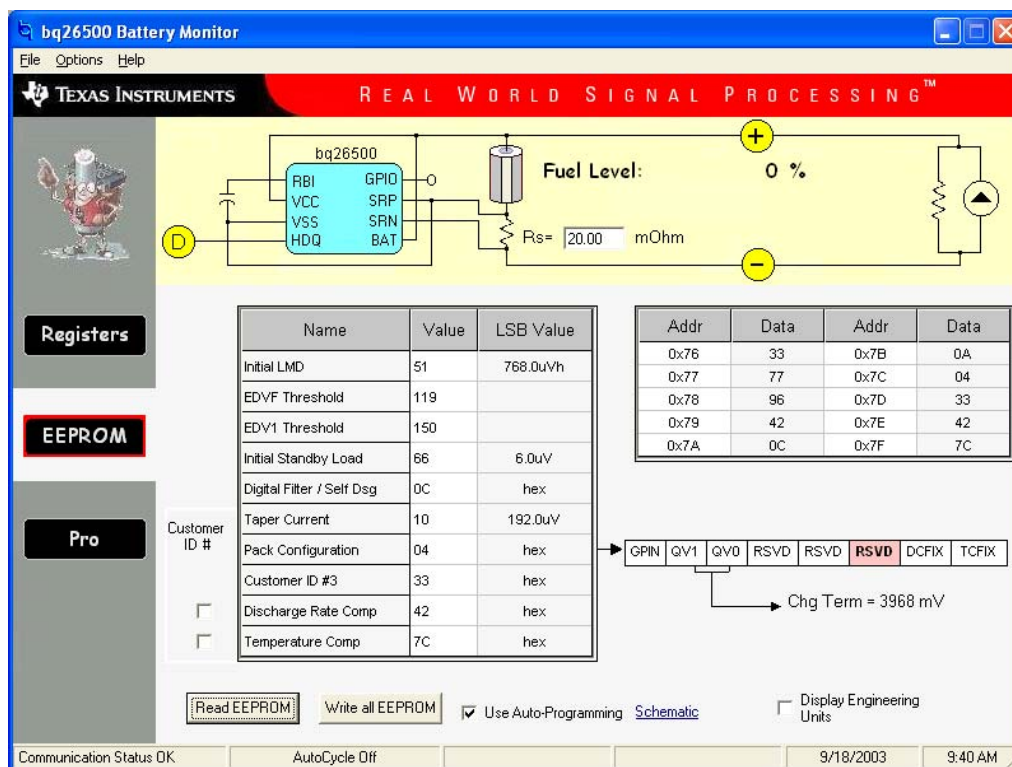


Figure 8. EEPROM Screen

The values in the EEPROM can be easily changed using the EVM's auto programming feature. To use the auto program feature:

1. Make sure VOUT of the EV2300 is connected to PROG of the EVM
2. Connect a 21-V supply across 21 V (J3-1) and VSS (J3-3)
3. Click on the **use auto-programming** box to enable auto EEPROM programming

To change the EEPROM values simply click on the value to be changed, enter the new value, and press enter.

The EEPROM values can be stored in a file on the PC by using the File|Save Gas Gauge Flash Constants command from the pull down menu. Similarly, a saved file can be load by using the File|Open Gas Gauge Flash Constants command. Once the file is called up, the Write all EEPROM button can be used to write all the EEPROM values at once.

NOTE: Changing EEPROM data affects critical aspects of the bq26501 operation. Please review the bq26501 data sheet to determine how to develop new data for the EEPROM based on your application. It is recommend to first save the default EEPROM data as a file first before changing the data. In this way, the default data programming can easily be restored.

The bq26501 automatically uses the new EEPROM in its calculations once programmed.

8.2.3 Resetting the bq26501

The bq26501 can be reset at anytime by using the Options|Special Options|Reset bq26501 from the pulldown menu. When reset, the bq26501 loads the configuration values from EEPROM and set the remaining capacity registers to zero.

8.3 Configuring the Register Screen

The register screen has options for setting which data set values are to be scanned by the program. Scanning can be turned on or off using the Options|Scan pull down command. The items to be scanned are set by clicking on the corresponding Scan box in each row of data. A check mark in the box indicates that that data item will be scanned and updated on the PC display.

8.4 The Pro Screen

The pro screens allows the data location in the bq26501 to be addressed individually by entering the address to be read or the address and data to be written.

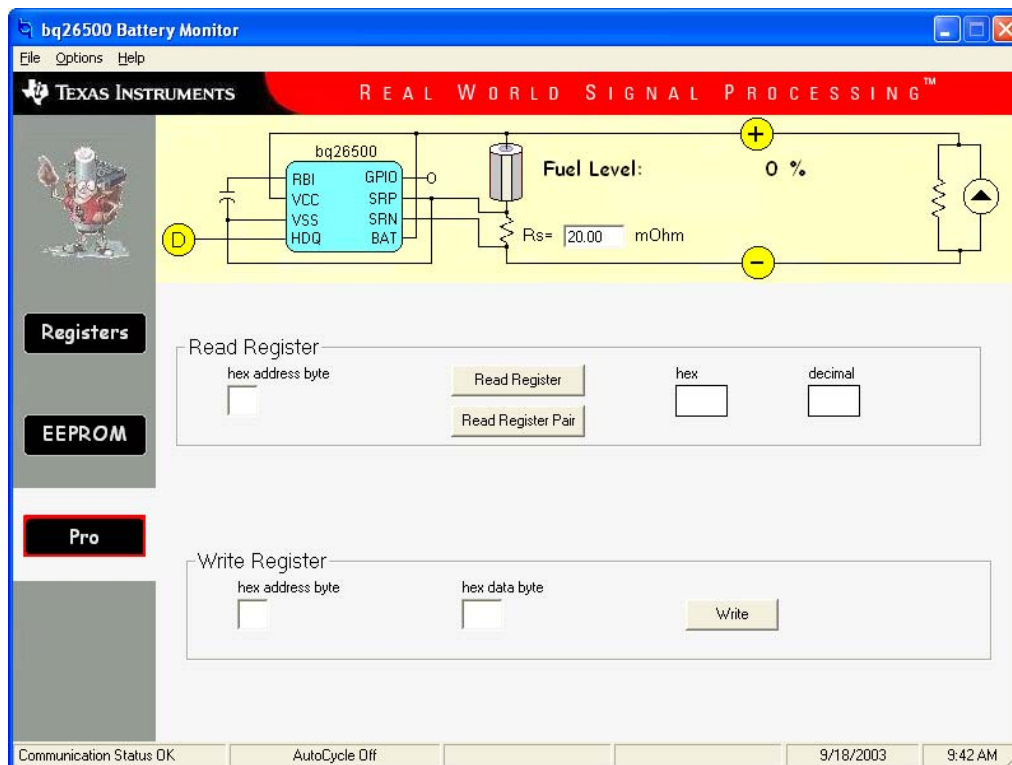


Figure 9. Pro Screen

8.5 Data Logging

The bq26501 registers can be logged by using the data log function. To log the data and create a log file:

1. Select the registers to log by clicking on the corresponding **Log** box in each row of data.
2. **File|Start Data Log** from the pull-down menu.
3. Enter the name of the data log file in the **Name Datalog File** box
4. Click on the **Open** button
5. To stop the data logging select **File|Close Data Log** from the pull-down menu

The file can be imported into a text editor, spreadsheet, or word processor program.

Table 6. Example Data Log

| SAMPLE | STAMP | ELAPSED (s) | VOLTAGE | NAC | TEMP COMP |
|--------|---------|-------------|---------|---------|-----------|
| 1 | 3:31:30 | 10 | 3829 | 1084.58 | 1084.58 |
| 2 | 3:31:40 | 20 | 3829 | 1086.26 | 1086.26 |
| 3 | 3:31:50 | 30 | 3832 | 1087.48 | 1087.48 |
| 4 | 3:32:00 | 40 | 3800 | 1087.48 | 1087.48 |
| 5 | 3:32:10 | 50 | 3786 | 1087.48 | 1087.48 |
| 6 | 3:32:20 | 60 | 3786 | 1087.48 | 1087.48 |
| 7 | 3:32:30 | 70 | 3630 | 1087.78 | 1087.78 |
| 8 | 3:32:40 | 80 | 3622 | 1084.12 | 1064.91 |
| 9 | 3:32:50 | 90 | 3614 | 1081.68 | 1062.47 |
| 10 | 3:33:00 | 100 | 3609 | 1078.02 | 1060.03 |
| 11 | 3:33:10 | 110 | 3603 | 1075.74 | 1033.34 |
| 12 | 3:33:20 | 120 | 3754 | 1075.74 | 1033.34 |
| 13 | 3:33:30 | 130 | 3762 | 1075.74 | 1033.34 |
| 14 | 3:33:40 | 140 | 3765 | 1075.74 | 1033.34 |
| 15 | 3:33:50 | 150 | 3767 | 1075.74 | 1033.34 |
| 16 | 3:34:00 | 160 | 3622 | 1073.91 | 1032.73 |
| 17 | 3:34:10 | 170 | 3609 | 1072.69 | 1032.73 |
| 18 | 3:34:20 | 180 | 3598 | 1070.25 | 1032.73 |
| 19 | 3:34:30 | 190 | 3593 | 1065.52 | 1032.73 |
| 20 | 3:34:40 | 200 | 3695 | 1065.52 | 1032.73 |
| 21 | 3:34:50 | 210 | 3810 | 1065.52 | 1032.73 |
| 22 | 3:35:00 | 220 | 3810 | 1065.52 | 1032.73 |
| 23 | 3:35:10 | 230 | 3813 | 1065.52 | 1032.73 |
| 24 | 3:35:20 | 240 | 3767 | 1065.52 | 1032.73 |

IMPORTANT NOTICE

Texas Instruments Incorporated and its subsidiaries (TI) reserve the right to make corrections, modifications, enhancements, improvements, and other changes to its products and services at any time and to discontinue any product or service without notice. Customers should obtain the latest relevant information before placing orders and should verify that such information is current and complete. All products are sold subject to TI's terms and conditions of sale supplied at the time of order acknowledgment.

TI warrants performance of its hardware products to the specifications applicable at the time of sale in accordance with TI's standard warranty. Testing and other quality control techniques are used to the extent TI deems necessary to support this warranty. Except where mandated by government requirements, testing of all parameters of each product is not necessarily performed.

TI assumes no liability for applications assistance or customer product design. Customers are responsible for their products and applications using TI components. To minimize the risks associated with customer products and applications, customers should provide adequate design and operating safeguards.

TI does not warrant or represent that any license, either express or implied, is granted under any TI patent right, copyright, mask work right, or other TI intellectual property right relating to any combination, machine, or process in which TI products or services are used. Information published by TI regarding third-party products or services does not constitute a license from TI to use such products or services or a warranty or endorsement thereof. Use of such information may require a license from a third party under the patents or other intellectual property of the third party, or a license from TI under the patents or other intellectual property of TI.

Reproduction of information in TI data books or data sheets is permissible only if reproduction is without alteration and is accompanied by all associated warranties, conditions, limitations, and notices. Reproduction of this information with alteration is an unfair and deceptive business practice. TI is not responsible or liable for such altered documentation.

Resale of TI products or services with statements different from or beyond the parameters stated by TI for that product or service voids all express and any implied warranties for the associated TI product or service and is an unfair and deceptive business practice. TI is not responsible or liable for any such statements.

Following are URLs where you can obtain information on other Texas Instruments products and application solutions:

| Products | | Applications | |
|------------------|--|---------------------|--|
| Amplifiers | amplifier.ti.com | Audio | www.ti.com/audio |
| Data Converters | dataconverter.ti.com | Automotive | www.ti.com/automotive |
| DSP | dsp.ti.com | Broadband | www.ti.com/broadband |
| Interface | interface.ti.com | Digital Control | www.ti.com/digitalcontrol |
| Logic | logic.ti.com | Military | www.ti.com/military |
| Power Mgmt | power.ti.com | Optical Networking | www.ti.com/opticalnetwork |
| Microcontrollers | microcontroller.ti.com | Security | www.ti.com/security |
| | | Telephony | www.ti.com/telephony |
| | | Video & Imaging | www.ti.com/video |
| | | Wireless | www.ti.com/wireless |

Mailing Address: Texas Instruments
Post Office Box 655303 Dallas, Texas 75265