

*EVM User's Guide: TPSM8287A06BASEVM, TPSM8287A12BBSEVM,
TPSM8287A10BAHEVM, TPSM8287A15BBHEVM*

Parallelable, I²C, Remote Sense 6A, 10A, 12A, 15A Power Module Evaluation Module

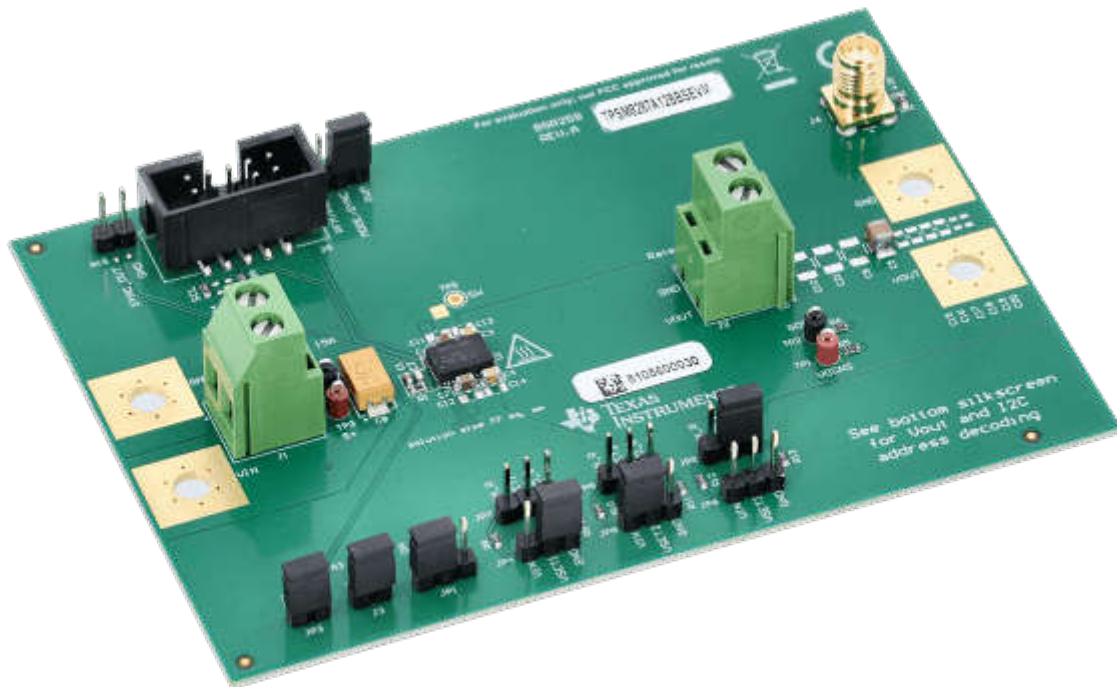


Description

The TPSM8287AxxxxxEVM evaluation module (EVM) facilitates the evaluation of the TPSM8287Axx, which supports up to 15A load current in a pin-to-pin compatible step-down power module with an I²C interface, remote sense, and frequency synchronization in a 4.5mm × 6.8mm over molded QFN package. The EVMs provide an adjustable output voltage, with 0.8% accuracy, between 0.4V and 3.35V from input voltages from 2.7V to 6V.

Features

- 6A, 10A, 12A, and 15A output current power module with integrated inductor in an over molded QFN package
- Excellent thermal performance ($\theta_{JA} = 19.5 \text{ }^{\circ}\text{C/W}$)
- 4.5mm x 6.8mm power module provides 77mm² total solution-size
- Start-up output voltage adjustable through jumpers to 1 of 59 values
- Highly accurate output voltage with remote sense and adjustable control loop compensation



1 Evaluation Module Overview

1.1 Introduction

The TPSM8287AxxxxxEVM enables evaluation of the TPSM8287Axx power module in a typical, stand-alone, step-down converter application. The TPSM8287Axx are high-efficiency, high-accuracy, small and thin point-of-load (POL) power modules in applications such as the core supply for FPGAs, ASICs, DDR memory, optical modules, storage, test and measurement, and other space-limited applications.

1.2 Kit Contents

The TPSM8287AxxxxxEVM box (the kit) includes a PCB (BSR259) with which to evaluate the TPSM8287Axx device in a typical stand-alone (not paralleled) application. To evaluate the device using TI's TPSM8287Axx EVM GUI to operate the I²C bus, order the [USB2ANY adapter EVM](#) separately.

1.3 Specification

[Table 1-1](#) provides a summary of the TPSM8287AxxxxxEVM performance specifications.

Table 1-1. Performance Specification Summary

| SPECIFICATION | TEST CONDITIONS | MIN | TYP | MAX | UNIT |
|----------------|--------------------------------|-----|-----|------|------|
| Input voltage | | 2.7 | 5 | 6 | V |
| Output voltage | $V_{IN} > V_{OUT} + 1.4V$ | 0.4 | 0.9 | 3.35 | V |
| Output current | TPSM8287A06BASEVM (BSR259-001) | 0 | | 6 | A |
| | TPSM8287A12BBSEVM (BSR259-002) | 0 | | 12 | A |
| | TPSM8287A10BAHEVM (BSR259-003) | 0 | | 10 | A |
| | TPSM8287A15BBHEVM (BSR259-004) | 0 | | 15 | A |

1.4 Device Information

The TPSM8287Axx is a family of pin-to-pin compatible 6A, 10A, 12A, and 15A power modules, which integrate the inductor. The devices use an I²C interface to fine tune the output voltage to precisely match the needs of processor cores. The devices can be operated without the I²C interface to provide a high current, fixed-output-voltage power supply.

2 Hardware

2.1 Safety Instructions

WARNING



Hot surface. Contact can cause burns. Do not touch.

WARNING

High currents can be present on the input and output.

2.2 Header Information

| | |
|--------------------------|---|
| J1 – VIN/GND | Input and return connections from the input supply to the EVM. This connector accepts up to 12 AWG wire. |
| MH1/2 – VIN/GND | Alternate input and return connections from the input supply to the EVM. These holes are sized for M4 or #8 bolts. |
| J2 – VOUT/GND | Input and return connections from the EVM to the load. This connector accepts up to 12 AWG wire. |
| MH3/4 – VOUT/GND | Alternate input and return connections from the EVM to the load. These holes are sized for M4 or #8 bolts. |
| J3 – PG/GND | The PG output appears on pin 2 of this header with ground on pin 1. |
| J4 – SYNC_OUT/GND | The SYNC_OUT signal appears on pin 1 of this header with ground on pin 2. |
| J6 – VOUT SMA | Measure the output voltage waveform at this SMA connector. |

2.3 Jumper Information

| | |
|----------------------------|---|
| JP1 – EN | EN pin input jumper. Place the supplied jumper across ON and EN to turn on the module. Place the jumper across OFF and EN to turn off the module. With the jumper installed across ON and EN, users can create a precise turn-on voltage with R2 and R18. Keep the value of R2 above 15kΩ. |
| JP2 – MODE/SYNC | MODE/SYNC pin input jumper. Place the supplied jumper across PWM and MODE/SYNC to operate the IC in Forced PWM mode. Place the jumper across PFM/PWM and MODE/SYNC to operate the IC in PFM/PWM mode. Remove the jumper to apply a synchronization signal on the MODE/SYNC pin. |
| JP3 – PG Pull-up | PG pin pull-up voltage jumper. Place the supplied jumper on JP3 to connect the PG pin pullup resistor to VIN. Alternatively, the jumper can be removed and a different voltage can be supplied on pin 1 to pull up the PG pin to a different level. This externally applied voltage must remain below 6.5V. |
| JP4 and JP7 – VSET1 | VSET1 setting jumper. Place the supplied jumper on either JP4 and JP7 but not both. |
| JP5 and JP8 – VSET2 | VSET2 setting jumper. Place the supplied jumper on either JP5 and JP8 but not both. |
| JP6 and JP9 – VSET3 | VSET3 setting jumper. Place the supplied jumper on either JP6 and JP9 but not both. |

To properly set the start-up voltage, the 3 jumpers for VSETx must be set before VIN is applied. Changing the jumpers after VIN is applied has no effect.

WARNING

Before applying VIN, verify that all 3 jumpers are installed: to JP4 or JP7, JP5 or JP8, and JP6 or JP9.

Do not leave the VSETx pins floating.

2.4 Interfaces

| | |
|----------------------------|--|
| J5 – I²C | I ² C adapter connection. Connect the 10-pin ribbon cable from the USB2ANY adapter EVM to this header to communicate with the device over the I ² C bus through the TPSM8287Axx EVM GUI. This header is keyed to prevent backwards installation. The TPSM8287AxxxxEVM does not require the USB2ANY EVM to operate. |
|----------------------------|--|

2.5 Test Points

| | |
|-------------------------|--|
| TP1/2 – VOUT/GND | Output voltage sense connections. Measure the output voltage at this point. |
| TP3/4 – VIN/GND | Input voltage sense connections. Measure the input voltage at this point. |
| TP5 – SW | SW node test point. Measure the SW node at this point. This test point is not installed. |

3 Software

The TPSM8287Axx EVM GUI is provided on the [TPSM8287A12BBSEVM](#) tool folder to communicate with the device over the I²C bus through the USB2ANY adapter EVM. A valid input voltage must be applied.

The GUI automatically connects to the EVM. If this does not happen, then click either the *Connect* button at the top right of the GUI or the *link* symbol at the very bottom left of the GUI.

4 Implementation Results

The TPSM8287AxxxxEVM was used to take all the data in the [TPSM8287Ax 2.7V to 6V Input, 6A, 10A, 12A and 15A, Parallel-able Synchronous Step-Down Power Module with I²C Interface and Remote Sense data sheet](#). See the device data sheet for the performance of this EVM.

4.1 Evaluation Setup

4.1.1 Ripple Measurement Setup

The SMA connector, J6, is used to measure the output voltage ripple and transient response. Connect the SMA connector directly to the oscilloscope with a coaxial (coax) cable, instead of using a 10x oscilloscope probe, to achieve the best results. This enables the use of the smallest V/div setting on the oscilloscope to view the ripple. The EVM contains a 49.9Ω resistor in series with the SMA connector to block reflections on the coax cable. Either the high-impedance or 50Ω terminated setting on the oscilloscope can be used.

4.1.2 Operation With Output Voltages Above 2V

When operating with output voltages above 2V, add another 220μF output cap (at C9) to maintain stable operation with the reduced effective output capacitance at the higher output voltage.

4.1.3 Loop Response Measurement

The loop response can be measured by replacing R5 with a 10Ω resistor and applying the injection signal across. [Figure 4-5](#), [Figure 4-6](#), [Figure 4-7](#), and [Figure 4-8](#) show the loop response measurement results.

4.1.4 Precise Turn-on Voltage

With the jumper on JP1 installed, R2 and R18 can be modified to create a precise turn-on voltage. See [Achieving a Clean Start-up by Using a DC/DC Converter with a Precise Enable-pin Threshold technical brief](#) for details. Keep the value of R2 above 15kΩ.

4.2 Performance Data and Results

Figure 4-1 shows the thermal performance of the TPSM8287A12BBSEVM.

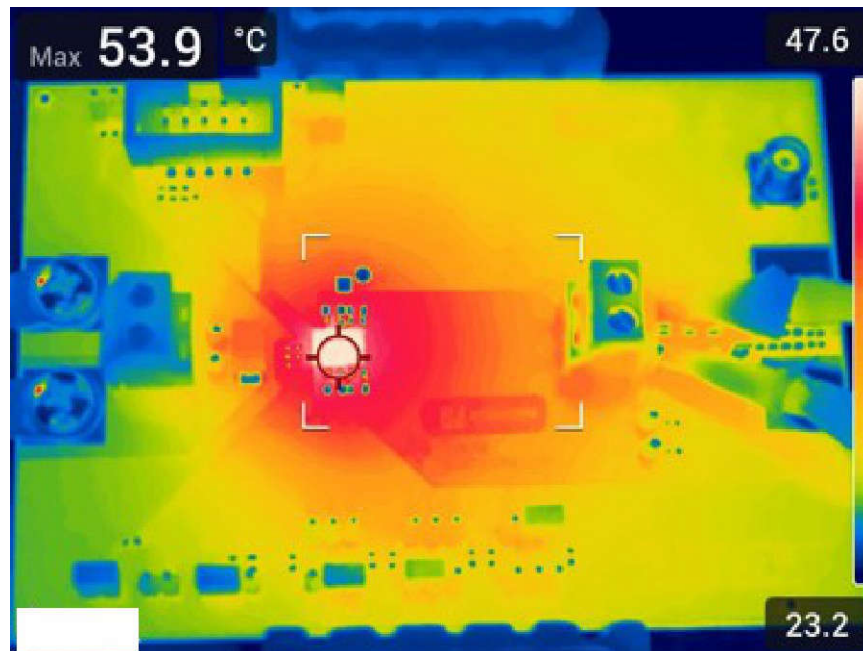


Figure 4-1. Thermal Performance (TPSM8287A12BBSEVM, $V_{IN} = 5V$, $V_{OUT} = 0.9V$, $I_{OUT} = 12A$)

Figure 4-2 shows the thermal performance of the TPSM8287A06BASEVM.



Figure 4-2. Thermal Performance (TPSM8287A06BASEVM, $V_{IN} = 5V$, $V_{OUT} = 0.9V$, $I_{OUT} = 6A$)

Figure 4-3 shows the thermal performance of the TPSM8287A10BAHEVM.



Figure 4-3. Thermal Performance (TPSM8287A10BAHEVM, $V_{IN} = 5V$, $V_{OUT} = 0.9V$, $I_{OUT} = 10A$)

Figure 4-4 shows the thermal performance of the TPSM8287A15BBHEVM.



Figure 4-4. Thermal Performance (TPSM8287A15BBHEVM, $V_{IN} = 5V$, $V_{OUT} = 0.9V$, $I_{OUT} = 15A$)

Figure 4-5 shows the loop response measurement of the TPSM8287A12BBSEVM.

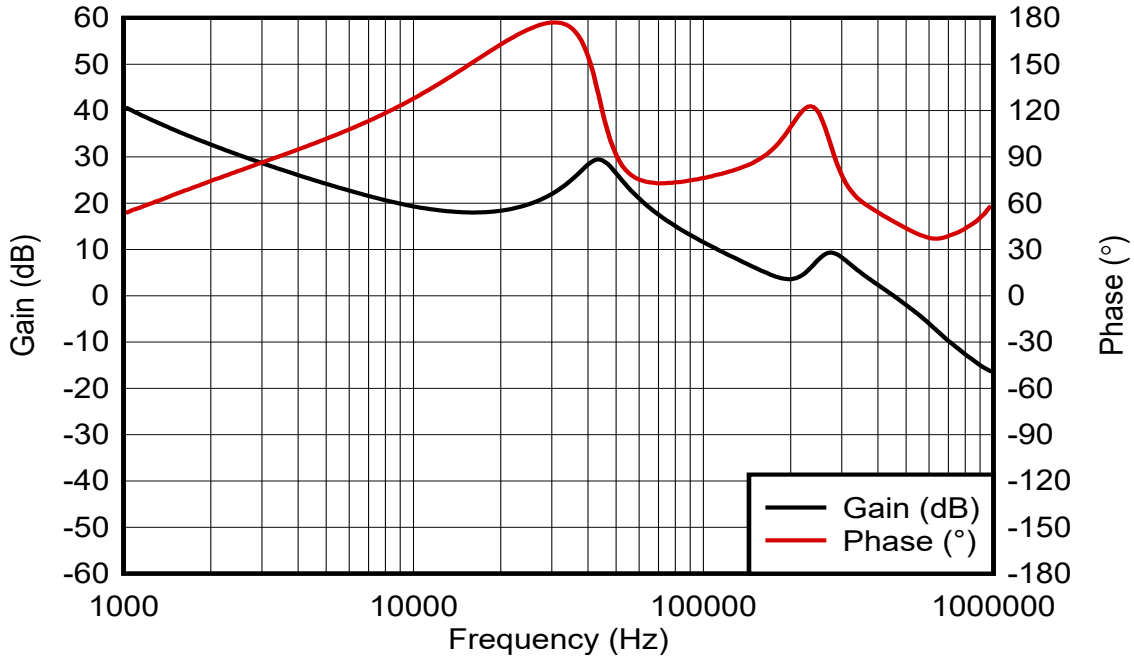


Figure 4-5. Loop Response Measurement ($V_{IN} = 5V$, $V_{OUT} = 0.9V$, $I_{OUT} = 12A$)

Figure 4-6 shows the loop response measurement of the TPSM8287A06BASEVM.

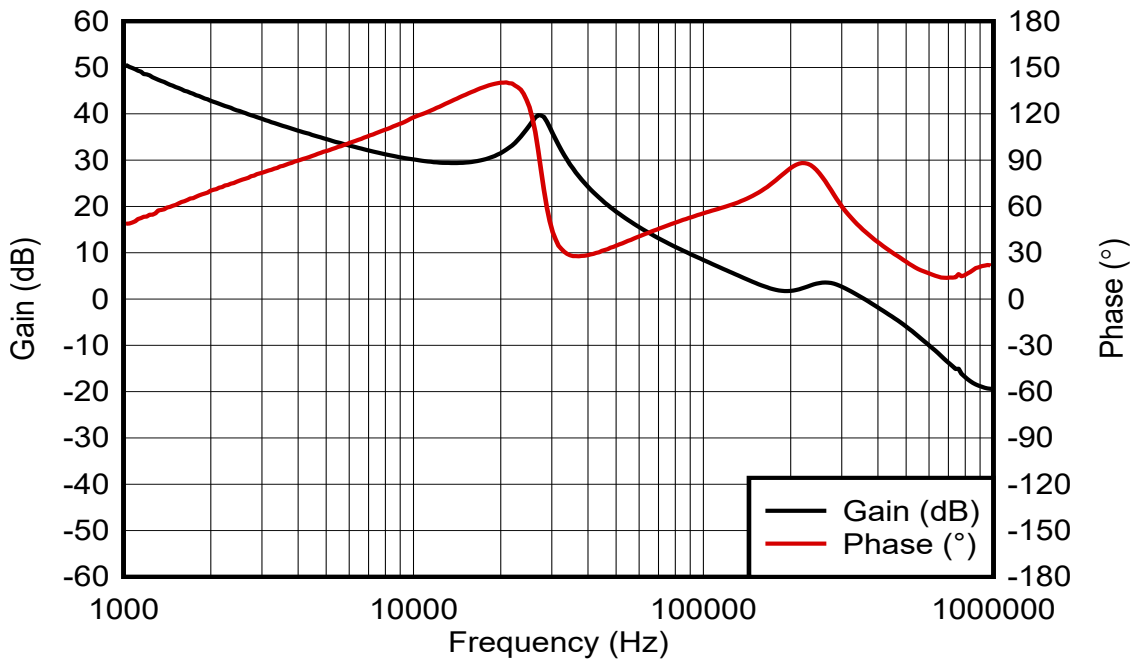


Figure 4-6. Loop Response Measurement ($V_{IN} = 5V$, $V_{OUT} = 0.9V$, $I_{OUT} = 6A$)

Figure 4-7 shows the loop response measurement of the TPSM8287A10BAHEVM.

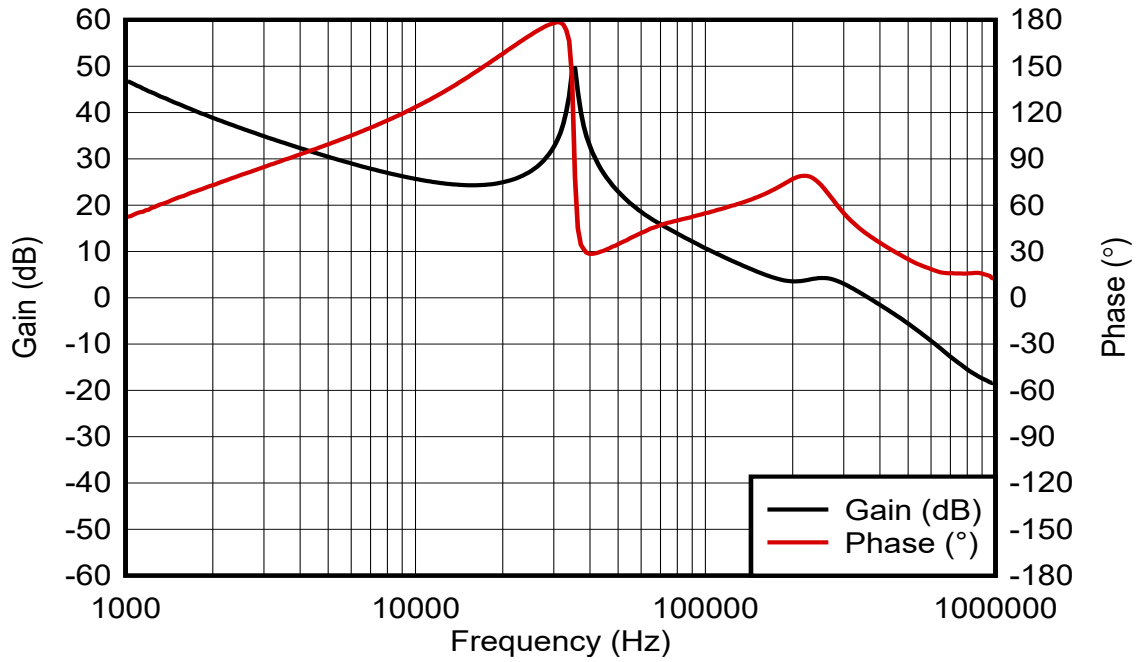


Figure 4-7. Loop Response Measurement ($V_{IN} = 5V$, $V_{OUT} = 0.9V$, $I_{OUT} = 10A$)

Figure 4-8 shows the loop response measurement of the TPSM8287A15BBHEVM.

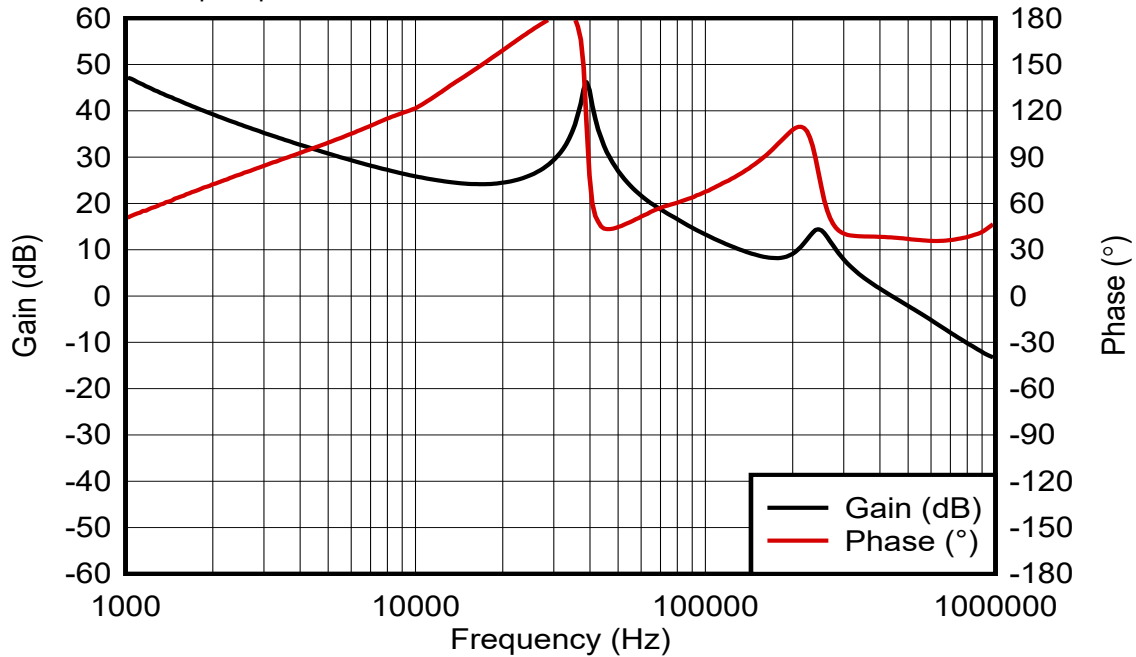


Figure 4-8. Loop Response Measurement ($V_{IN} = 5V$, $V_{OUT} = 0.9V$, $I_{OUT} = 15A$)

5 Hardware Design Files

5.1 Schematics

Figure 5-1, Figure 5-2, Figure 5-3, and Figure 5-4 show the EVM schematics.

The TPSM8287A06BASEVM uses the TPSM8287A06BASRDVR IC.

The TPSM8287A12BBSEVM uses the TPSM8287A12BBSRDVR IC.

The TPSM8287A10BAHEVM uses the TPSM8287A10BAHRDWR IC.

The TPSM8287A15BBHEVM uses the TPSM8287A15BBHRDWR IC.

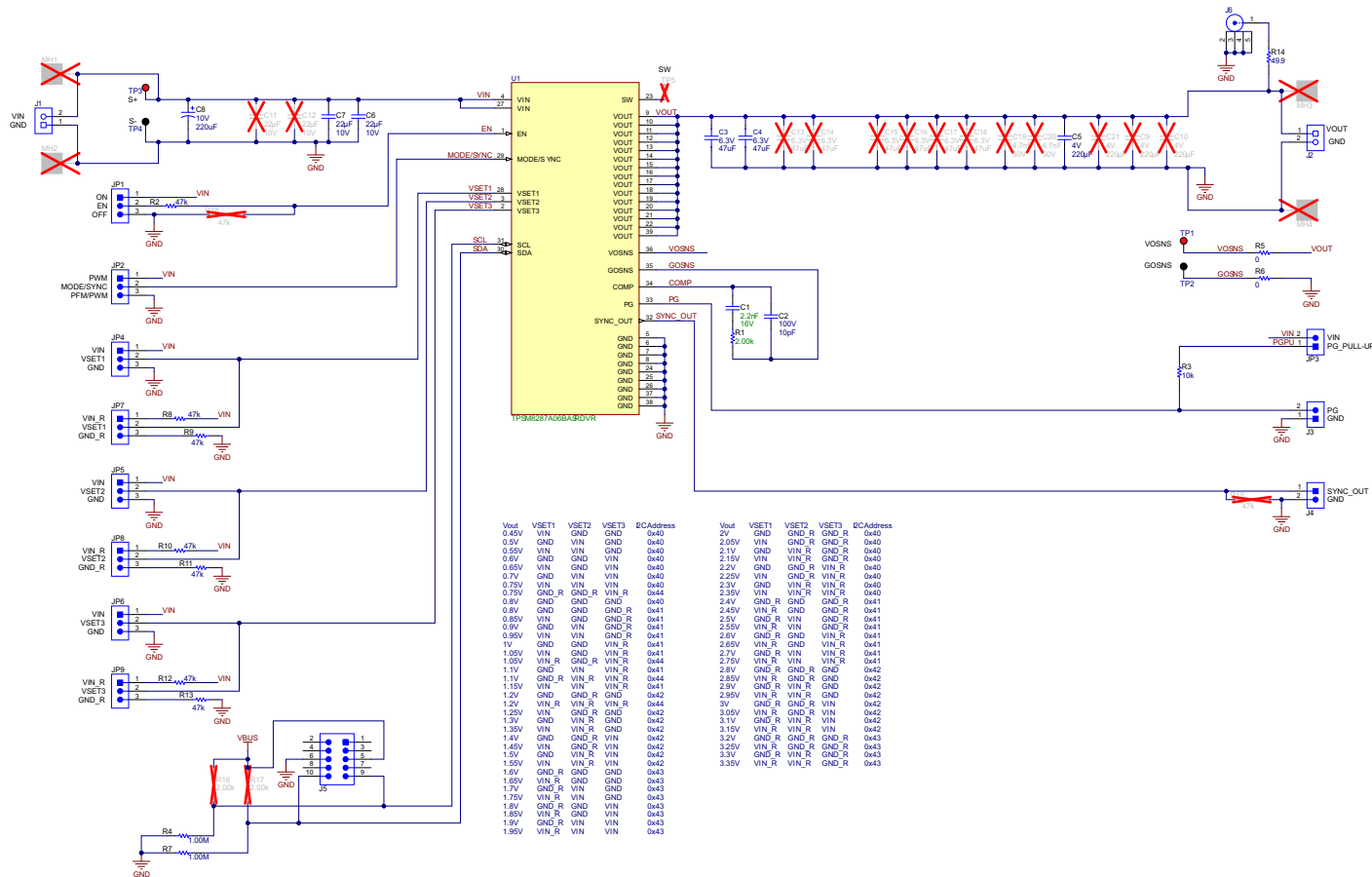


Figure 5-1. TPSM8287A06BASEVM Schematic

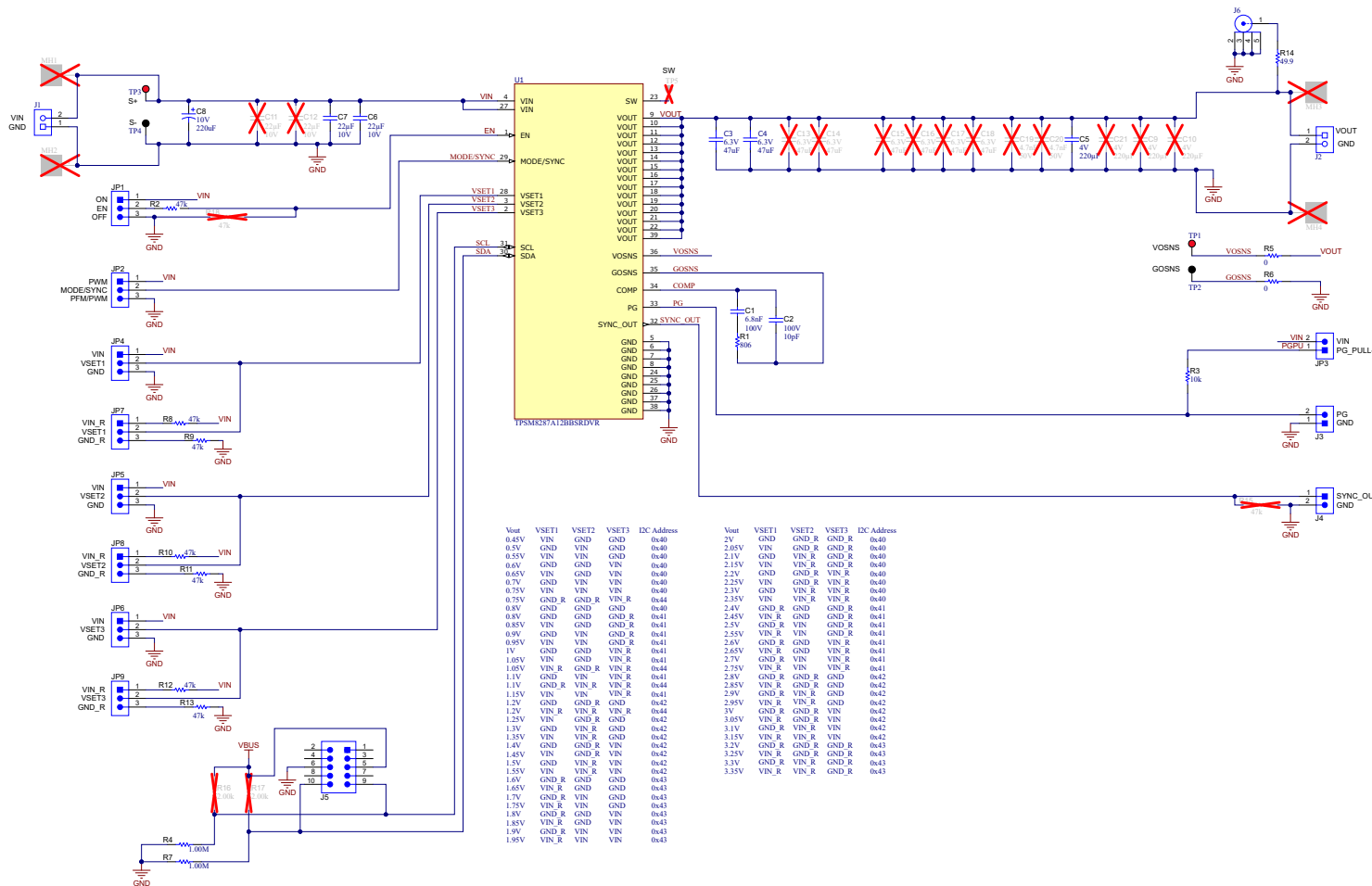


Figure 5-2. TPMS8287A12BBSEVM Schematic

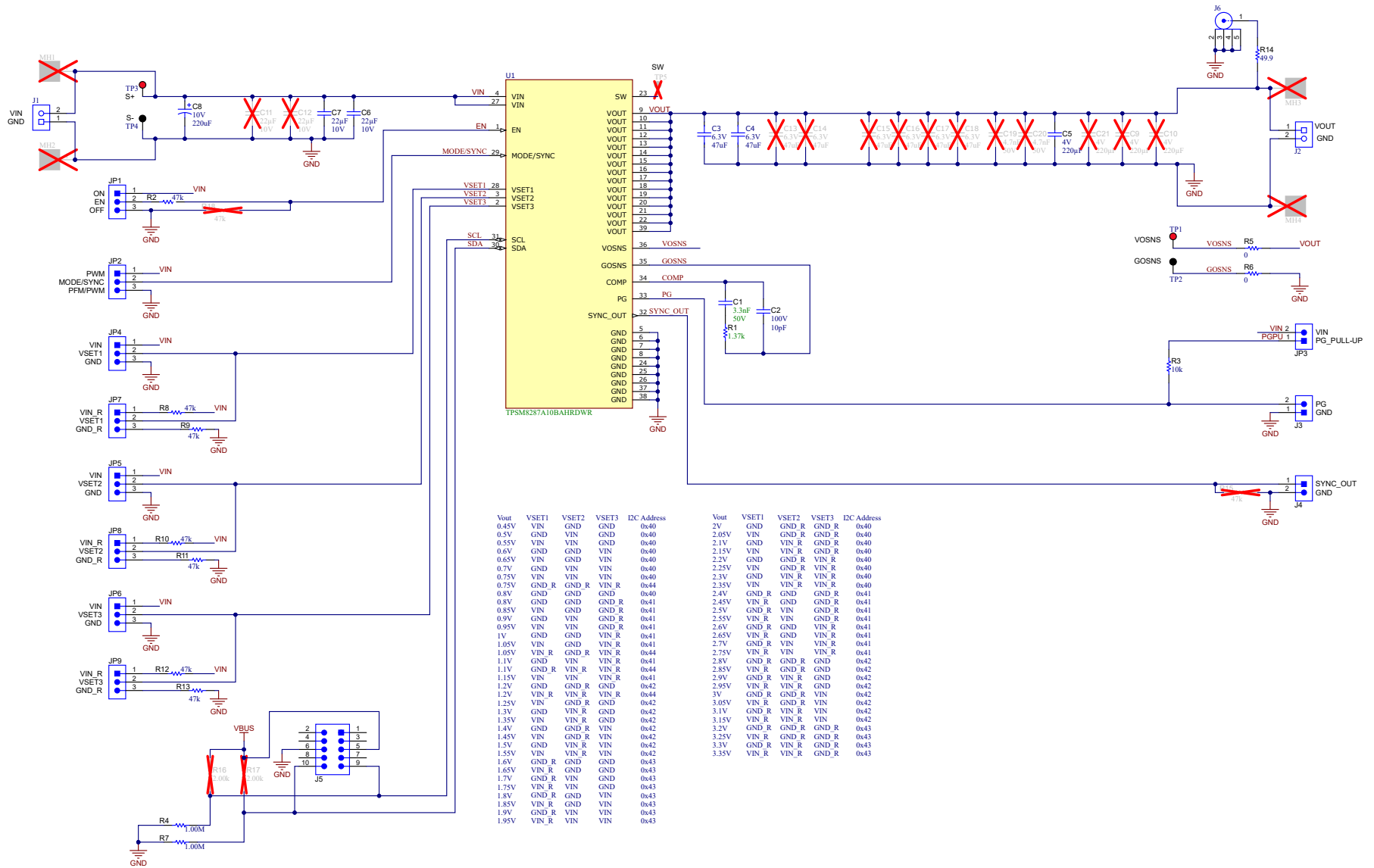


Figure 5-3. TPSM8287A10BAHEVM Schematic

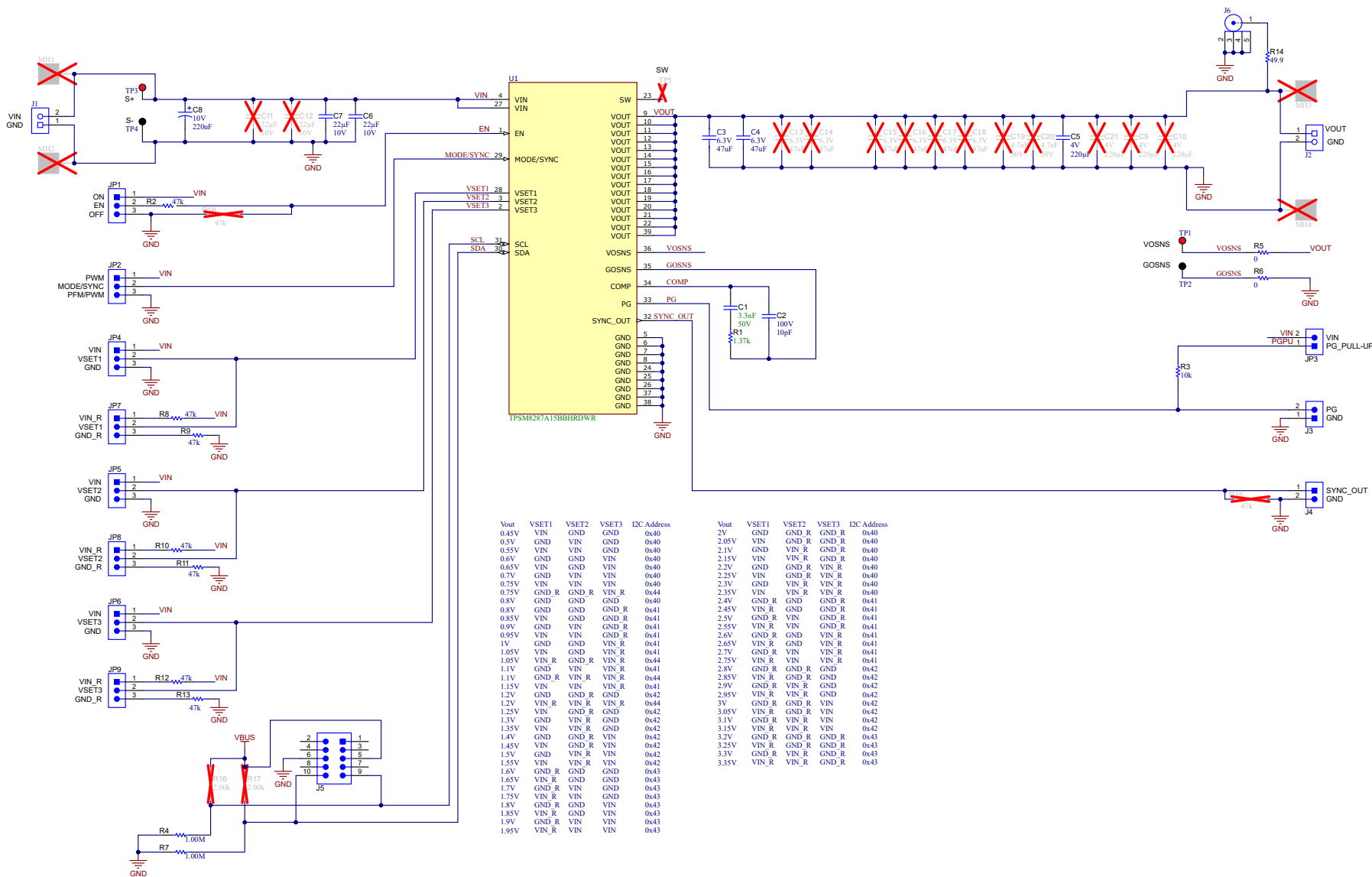


Figure 5-4. TPMS8287A15BBHEVM Schematic

5.2 PCB Layouts

This section provides the TPSM8287AxxxxxEVM board layout (BSR259). The Gerber files are available on the [TPSM8287A12BBSEVM](#) tool folder. All six layers use 2-ounce copper.

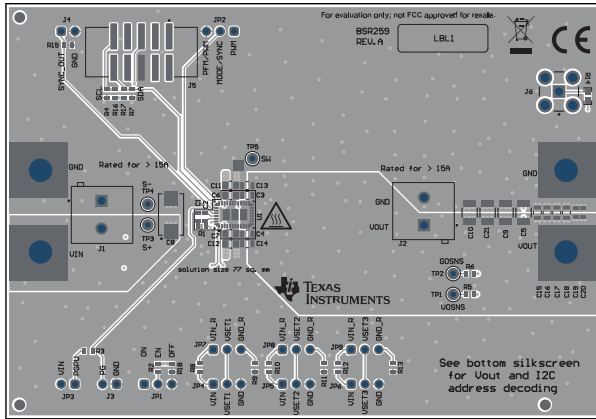


Figure 5-5. Top Assembly

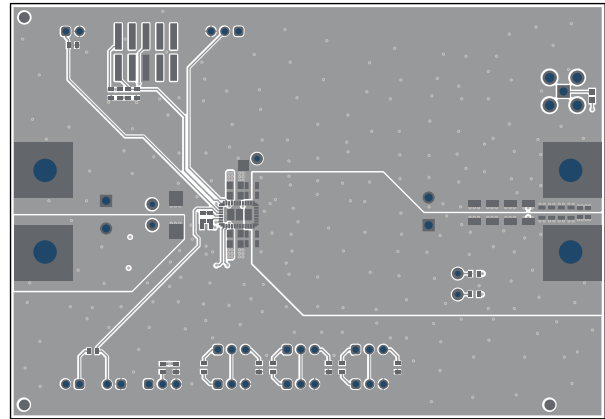


Figure 5-6. Top Layer

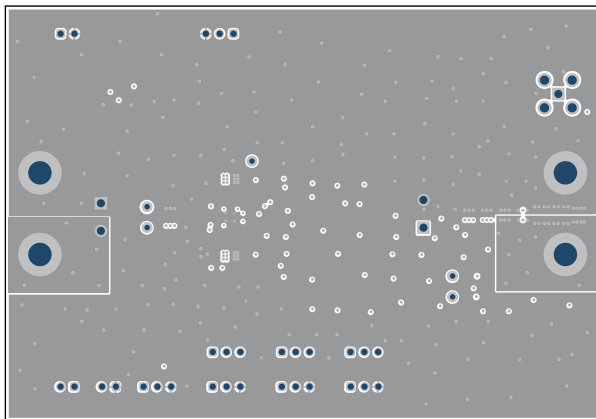


Figure 5-7. Internal Layer 1

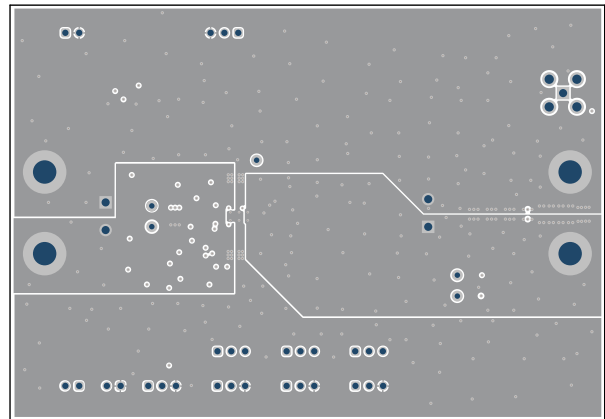


Figure 5-8. Internal Layer 2

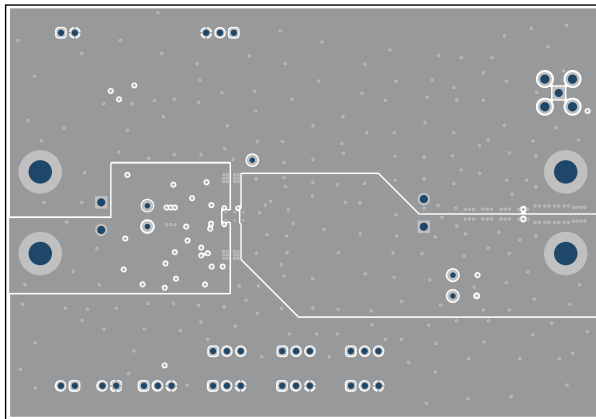


Figure 5-9. Internal Layer 3

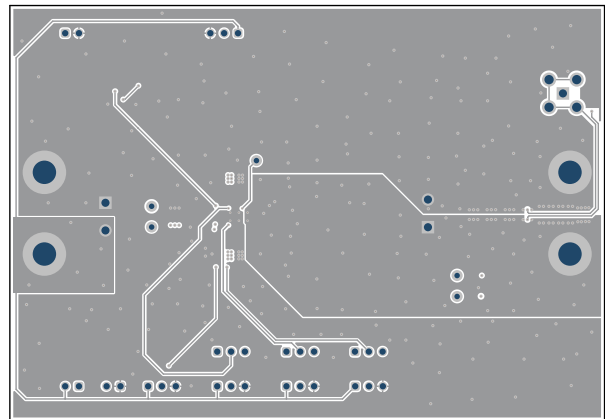
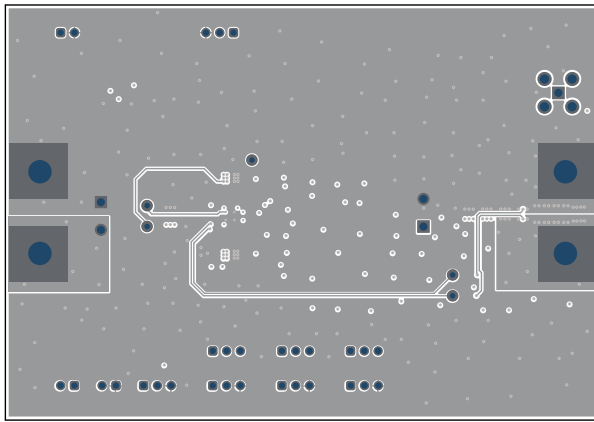
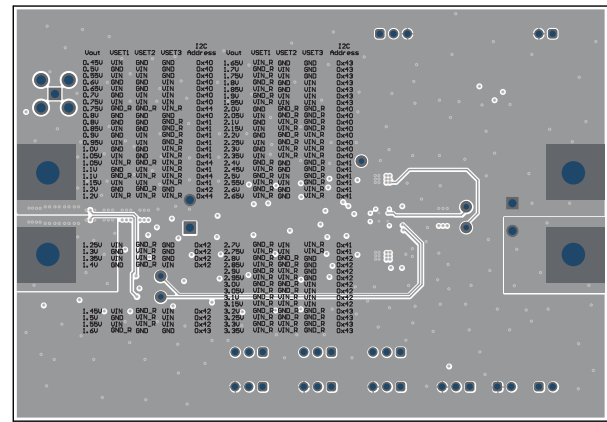


Figure 5-10. Internal Layer 4


Figure 5-11. Bottom Layer

Figure 5-12. Bottom Assembly (Mirrored)

5.3 Bill of Materials (BOM)

Table 5-1 lists the BOM for this EVM.

Table 5-1. TPSM8287AxxxxxEVM (BSR259-00x) Bill of Materials

| QUANTITY | | | | REF DES | VALUE | DESCRIPTION | SIZE | PART NUMBER | MANUFACTURER |
|----------|------|------|------|--------------------------------------|--------|---|---------------|--------------------|-------------------|
| -001 | -002 | -003 | -004 | | | | | | |
| 0 | 1 | 0 | 0 | C1 | 6800pF | Ceramic Capacitor, 16V, X7R | 0603 | Std | Std |
| 1 | 0 | 0 | 0 | C1 | 2200pF | Ceramic Capacitor, 16V, X7R | 0603 | Std | Std |
| 0 | 0 | 1 | 1 | C1 | 3300pF | Ceramic Capacitor, 16V, X7R | 0603 | Std | Std |
| 1 | 1 | 1 | 1 | C2 | 10pF | Ceramic Capacitor, 100V, C0G/NP0 | 0603 | Std | Std |
| 2 | 2 | 2 | 2 | C3, C4 | 47μF | Ceramic Capacitor, 6.3V, X6S | 0805 | GRM21BC80J476ME01L | Murata |
| 1 | 1 | 1 | 1 | C5 | 220μF | Ceramic Capacitor, 4V, X6S | 1210 | GRM32EC80G227ME05L | Murata |
| 2 | 2 | 2 | 2 | C6, C7 | 22μF | Ceramic Capacitor, 10V, X7R | 0805 | GRM21BZ71A226ME15L | Murata |
| 1 | 1 | 1 | 1 | C8 | 220μF | Tantalum Capacitor, 10V, 50mΩ ESR | 7343 | TPSD227M010R0050 | AVX |
| 0 | 1 | 0 | 0 | R1 | 806Ω | Resistor 1%, 0.1 W | 0603 | Std | Std |
| 1 | 0 | 0 | 0 | R1 | 2.00kΩ | Resistor 1%, 0.1 W | 0603 | Std | Std |
| 0 | 0 | 1 | 1 | R1 | 1.37kΩ | Resistor 1%, 0.1 W | 0603 | Std | Std |
| 7 | 7 | 7 | 7 | R2, R8, R9, R10, R11, R12, R13 | 47kΩ | Resistor 5%, 0.1 W | 0603 | Std | Std |
| 1 | 1 | 1 | 1 | R3 | 10kΩ | Resistor 5%, 0.1 W | 0603 | Std | Std |
| 2 | 2 | 2 | 2 | R4, R7 | 1.0MΩ | Resistor 5%, 0.1 W | 0603 | Std | Std |
| 2 | 2 | 2 | 2 | R5, R6 | 0Ω | Resistor 5%, 0.1 W | 0603 | Std | Std |
| 1 | 1 | 1 | 1 | R14 | 49.9Ω | Resistor 1%, 0.1 W | 0603 | Std | Std |
| 1 | 0 | 0 | 0 | U1 | | 6A, Parallelable Synchronous Step-Down Power Module with I ² C Interface and Remote Sense | 4.5mm × 6.8mm | TPSM8287A06BASRDVR | Texas Instruments |
| 0 | 1 | 0 | 0 | U1 | | 12A, Parallelable Synchronous Step-Down Power Module with I ² C Interface and Remote Sense | 4.5mm × 6.8mm | TPSM8287A12BBSRDVR | Texas Instruments |
| 0 | 0 | 1 | 0 | U1 | | 10A, Parallelable Synchronous Step-Down Power Module with I ² C Interface and Remote Sense | 4.5mm × 6.8mm | TPSM8287A10BAHRDWR | Texas Instruments |
| 0 | 0 | 0 | 1 | U1 | | 15A, Parallelable Synchronous Step-Down Power Module with I ² C Interface and Remote Sense | 4.5mm × 6.8mm | TPSM8287A15BBHRDWR | Texas Instruments |

6 Additional Information

6.1 Trademarks

All trademarks are the property of their respective owners.

7 Revision History

NOTE: Page numbers for previous revisions may differ from page numbers in the current version.

| Changes from Revision A (October 2023) to Revision B (April 2024) | Page |
|---|-------------|
| • Added TPSM8287A10BAHEVM and TPSM8287A15BBHEVM throughout document..... | 1 |
| • Added TPSM8287A10BAHEVM and TPSM8287A15BBHEVM to <i>Performance Specification Summary</i> table..... | 2 |
| • Changed VOUT to VIN for TP3/4..... | 4 |
| • Added Figure 4-3 , Figure 4-4 , Figure 4-7 , and Figure 4-8 | 5 |
| • Added <i>TPSM8287A10BAHEVM Schematic</i> and <i>TPSM8287A15BBHEVM Schematic</i> | 9 |
| • Added TPSM8287A10BAHEVM and TPSM8287A15BBHEVM to <i>Bill of Materials</i> table..... | 15 |

| Changes from Revision * (August 2023) to Revision A (October 2023) | Page |
|--|-------------|
| • Added TPSM8287A06BASEVM throughout document..... | 1 |
| • Added TPSM8287A06BASEVM to <i>Performance Specification Summary</i> table..... | 2 |
| • Added Figure 4-2 and Figure 4-3 | 5 |
| • Added <i>TPSM8287A06BASEVM Schematic</i> | 9 |
| • Added TPSM8287A06BASEVM to <i>Bill of Materials</i> table..... | 15 |

IMPORTANT NOTICE AND DISCLAIMER

TI PROVIDES TECHNICAL AND RELIABILITY DATA (INCLUDING DATA SHEETS), DESIGN RESOURCES (INCLUDING REFERENCE DESIGNS), APPLICATION OR OTHER DESIGN ADVICE, WEB TOOLS, SAFETY INFORMATION, AND OTHER RESOURCES "AS IS" AND WITH ALL FAULTS, AND DISCLAIMS ALL WARRANTIES, EXPRESS AND IMPLIED, INCLUDING WITHOUT LIMITATION ANY IMPLIED WARRANTIES OF MERCHANTABILITY, FITNESS FOR A PARTICULAR PURPOSE OR NON-INFRINGEMENT OF THIRD PARTY INTELLECTUAL PROPERTY RIGHTS.

These resources are intended for skilled developers designing with TI products. You are solely responsible for (1) selecting the appropriate TI products for your application, (2) designing, validating and testing your application, and (3) ensuring your application meets applicable standards, and any other safety, security, regulatory or other requirements.

These resources are subject to change without notice. TI grants you permission to use these resources only for development of an application that uses the TI products described in the resource. Other reproduction and display of these resources is prohibited. No license is granted to any other TI intellectual property right or to any third party intellectual property right. TI disclaims responsibility for, and you will fully indemnify TI and its representatives against, any claims, damages, costs, losses, and liabilities arising out of your use of these resources.

TI's products are provided subject to [TI's Terms of Sale](#) or other applicable terms available either on [ti.com](https://www.ti.com) or provided in conjunction with such TI products. TI's provision of these resources does not expand or otherwise alter TI's applicable warranties or warranty disclaimers for TI products.

TI objects to and rejects any additional or different terms you may have proposed.

Mailing Address: Texas Instruments, Post Office Box 655303, Dallas, Texas 75265
Copyright © 2024, Texas Instruments Incorporated