

Improved Overvoltage Protection for TPS61040/1

Jatan Naik

PMP Portable Power

Like many boost converters, the TPS6104x does not have internal overvoltage protection (OVP). Therefore, if the feedback loop opens suddenly, e.g., when a WLED burns out and opens or a series switch used to turn off the WLED is opened, there is a risk that the open-loop converter will boost the output above its 28-V maximum rating. As recommended in the TPS6104x data sheet ([SLVS413](#)), a Zener diode from V_{OUT} to ground is one method of providing overvoltage protection. However, this method can result in significant current flow through the Zener diode to ground. This application report presents an improved overvoltage protection circuit using a Zener diode.

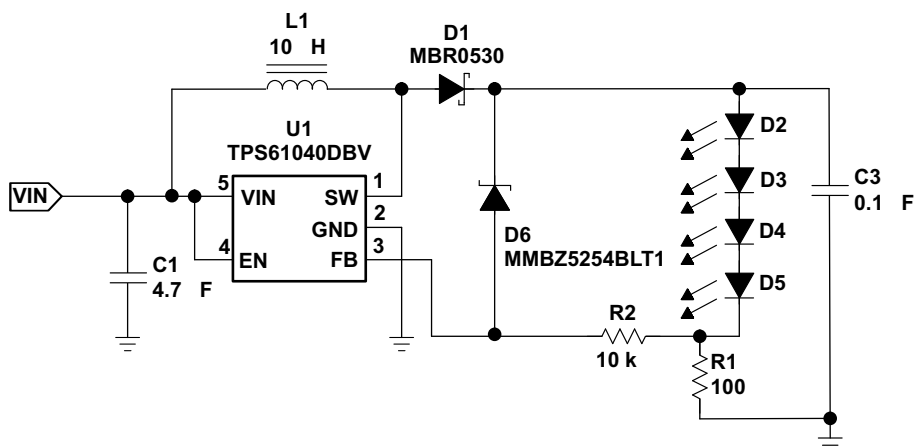


Figure 1. Improved OVP Circuit in WLED Application

As seen in [Figure 1](#), adding a 28-V or less rated Zener diode from the cathode of D1 to the FB pin prevents the output voltage from increasing in the event of an LED failure. The Zener clamps the output voltage once the voltage drop across it exceeds its breakdown voltage. When using the circuit shown, care must be taken to choose a proper value for R2. If the value of R2 is too high, then the ± 1 - μ A leakage current into the FB pin will alter the feedback voltage and reduce regulation accuracy. If the value of R2 is too low, then the TPS61040 outputs a large amount of current in the event of an open-loop condition, because R2 does not significantly impede the Zener avalanche current. Values of R2 between 10 k Ω and 100 k Ω are generally acceptable.

IMPORTANT NOTICE

Texas Instruments Incorporated and its subsidiaries (TI) reserve the right to make corrections, modifications, enhancements, improvements, and other changes to its products and services at any time and to discontinue any product or service without notice. Customers should obtain the latest relevant information before placing orders and should verify that such information is current and complete. All products are sold subject to TI's terms and conditions of sale supplied at the time of order acknowledgment.

TI warrants performance of its hardware products to the specifications applicable at the time of sale in accordance with TI's standard warranty. Testing and other quality control techniques are used to the extent TI deems necessary to support this warranty. Except where mandated by government requirements, testing of all parameters of each product is not necessarily performed.

TI assumes no liability for applications assistance or customer product design. Customers are responsible for their products and applications using TI components. To minimize the risks associated with customer products and applications, customers should provide adequate design and operating safeguards.

TI does not warrant or represent that any license, either express or implied, is granted under any TI patent right, copyright, mask work right, or other TI intellectual property right relating to any combination, machine, or process in which TI products or services are used. Information published by TI regarding third-party products or services does not constitute a license from TI to use such products or services or a warranty or endorsement thereof. Use of such information may require a license from a third party under the patents or other intellectual property of the third party, or a license from TI under the patents or other intellectual property of TI.

Reproduction of information in TI data books or data sheets is permissible only if reproduction is without alteration and is accompanied by all associated warranties, conditions, limitations, and notices. Reproduction of this information with alteration is an unfair and deceptive business practice. TI is not responsible or liable for such altered documentation.

Resale of TI products or services with statements different from or beyond the parameters stated by TI for that product or service voids all express and any implied warranties for the associated TI product or service and is an unfair and deceptive business practice. TI is not responsible or liable for any such statements.

Following are URLs where you can obtain information on other Texas Instruments products and application solutions:

Products		Applications	
Amplifiers	amplifier.ti.com	Audio	www.ti.com/audio
Data Converters	dataconverter.ti.com	Automotive	www.ti.com/automotive
DSP	dsp.ti.com	Broadband	www.ti.com/broadband
Interface	interface.ti.com	Digital Control	www.ti.com/digitalcontrol
Logic	logic.ti.com	Military	www.ti.com/military
Power Mgmt	power.ti.com	Optical Networking	www.ti.com/opticalnetwork
Microcontrollers	microcontroller.ti.com	Security	www.ti.com/security
		Telephony	www.ti.com/telephony
		Video & Imaging	www.ti.com/video
		Wireless	www.ti.com/wireless

Mailing Address: Texas Instruments
Post Office Box 655303 Dallas, Texas 75265

Copyright © 2006, Texas Instruments Incorporated