

Using the TPS3839/1 as an Adjustable Supply Voltage Supervisor

Darwin Fernandez

Portable Linear Solution/Supervisors

ABSTRACT

The TPS3839 is a family of ultra-low quiescent current supply voltage supervisors (SVS) that monitor a single voltage rail.

Because this device is a fixed-voltage monitor, designers must implement different voltage versions of the TPS3839 for specific voltage rails in their system. However, its low quiescent current of 150 nA makes it suitable for use as an adjustable SVS. This application report describes a simple solution and design considerations for using the TPS3839 as an adjustable SVS for monitoring different voltage rails and implements a design example using the TPS3839A09.

Contents

1	Introduction	2
2	TPS3839 Adjustable Solution	3
	2.1 Design Calculations	3
3	Design Considerations	4
	3.1 Trigger Threshold Time Delay	4
	3.2 Threshold Accuracy	5
4	Design Example	6
5	Conclusion	7

List of Figures

1	TPS3839G12 Typical Circuit for Monitoring a 1.2-V Rail	2
2	TPS3839 as an Adjustable SVS	3
3	RESET Delay Time After the Rail Voltage Reaches its Trigger Voltage	4
4	Effects of Trigger Voltage Accuracy with Various Divider Currents	5
5	TPS3839A09 RESET Profile for a Resistor Divider Current 100x I _{DD}	6
6	TPS3839A09 RESET Profile for a Resistor Divider Current 10x I _{DD}	7

1 Introduction

The TPS3831 is a family of ultra-low current supply voltage supervisors (SVS) that monitor a single voltage rail. Because this device is a fixed-voltage monitor, it is typically configured as shown in [Figure 1](#). The TPS3839 asserts a $\overline{\text{RESET}}$ signal, letting the host know that some system voltage is too low and action must be taken, whenever the V_{DD} supply voltage drops below the threshold voltage V_{th} . In each case, all of the voltages monitored are critical to ensure the proper operation of the entire system. Sometimes the fixed V_{th} , at which the SVS triggers, does not meet an application's specific needs; therefore, designers must rely on an adjustable SVS to trigger at a different V_{th} . This application report describes a simple solution to use a fixed SVS, such as the TPS3839, as an adjustable SVS that can trigger at a different rail voltage.

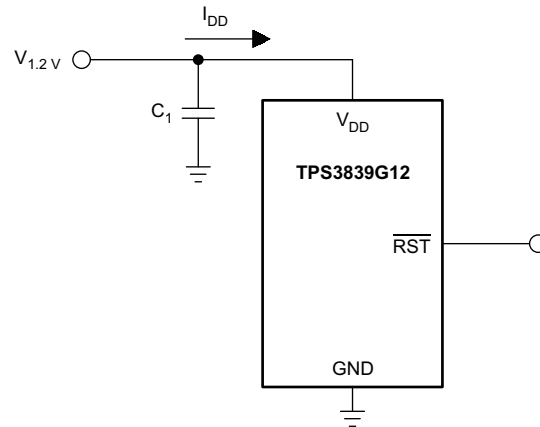


Figure 1. TPS3839G12 Typical Circuit for Monitoring a 1.2-V Rail

2 TPS3839 Adjustable Solution

Figure 2 shows a simple solution for making an adjustable SVS by adding a resistor divider at the V_{DD} input of the TPS3839. By setting the resistor divider, the voltage at which to trigger $V_{Trigger}$ can be varied for different voltage rails. In addition, this allows for higher voltage rails to be sensed without exceeding the absolute maximum ratings of the IC.

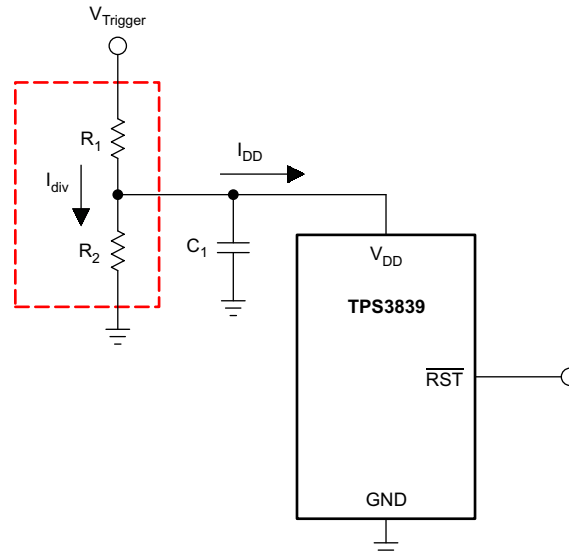


Figure 2. TPS3839 as an Adjustable SVS

2.1 Design Calculations

In order to keep an accurate trigger voltage, a practical guideline is that the current through the resistor divider I_{div} should be 100 times the current into the device I_{DD} . That is,

$$I_{div} \geq 100 \times I_{DD} (\text{Max}) \quad (1)$$

$$\frac{V_{Trigger}}{R_1 + R_2} \geq 100 \times I_{DD} (\text{Max}) \quad (2)$$

The voltage, $V_{Trigger}$, at which to trigger a reset, $\overline{\text{RESET}}$, is calculated using Equation 3 where V_{th} is the negative-going threshold voltage specified in the datasheet.

$$V_{th} = \frac{V_{Trigger}}{R_1 + R_2} \times R_2 \quad (3)$$

Combining Equation 2 and Equation 3 yields Equation 4, or the maximum bottom resistance R_2 must be to meet the minimum divider current requirement. Equation 5 is the resulting top resistance R_1 that sets $V_{Trigger}$.

$$R_2 \leq \frac{V_{th}}{100 \times I_{DD} (\text{Max})} \quad (4)$$

and

$$R_1 = \left(\frac{V_{Trigger}}{V_{th}} - 1 \right) \times R_2 \quad (5)$$

3 Design Considerations

3.1 Trigger Threshold Time Delay

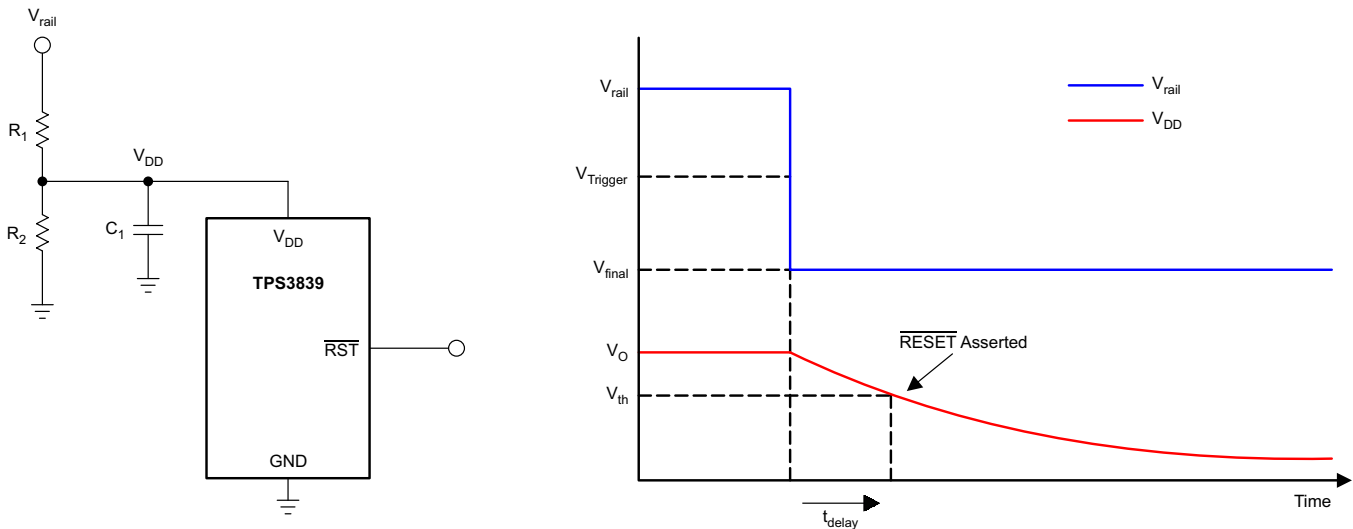


Figure 3. RESET Delay Time After the Rail Voltage Reaches its Trigger Voltage

For most SVSs, a capacitance, C_1 , on V_{DD} is required. When a resistor divider is added to the V_{DD} input of the SVS, there is a time delay between the rail voltage reaching $V_{Trigger}$ and the TPS3839 asserting a RESET. Figure 3 shows this for a rail step from V_{rail} to a final voltage, V_{final} , that passes through $V_{trigger}$. Therefore, selecting lower resistor divider values triggers a faster time delay when triggering a RESET. Equation 6 shows this relationship. V_{th} (actual) is calculated in the next section.

$$\text{Delay Time } T_{\text{Delay}} = -\frac{R_1 R_2 C_1}{K_1} \times \ln \left[\frac{K_1 V_{th(\text{actual})} - K_2}{K_1 V_0 - K_2} \right] \quad (6)$$

Where:

$$K_1 = R_1 + R_2$$

$$K_2 = R_2 V_{final} - I_{DD} R_1 R_2$$

$$\text{Initial Voltage on } V_{DD} \ V_0 = \frac{V_{rail} R_2}{R_1 + R_2}$$

3.2 Threshold Accuracy

As stated in the previous section, the divider current should be at least be 100 times the current through input of TPS3839 to prevent a trigger voltage offset due to the supply current into the device. This is shown in Figure 4 and is explained in detail in the application report, *Optimizing Resistor Dividers at a Comparator (SLVA450)*. Lower resistor divider values (higher I_{div}) have a more accurate trigger threshold and yield shorter time delay. The drawback is that the circuit consumes more current and can be a significant drain on battery life and run time. However, a given application may allow that the resistor divider can be increased (less I_{div}) if less accuracy and a longer time delay meets system requirements. V_{th} (actual) is calculated in Equation 7.

$$V_{th(actual)} = R_2 \frac{(V_{Trigger} - I_{DD}R_1)}{(R_1 + R_2)} \quad (7)$$

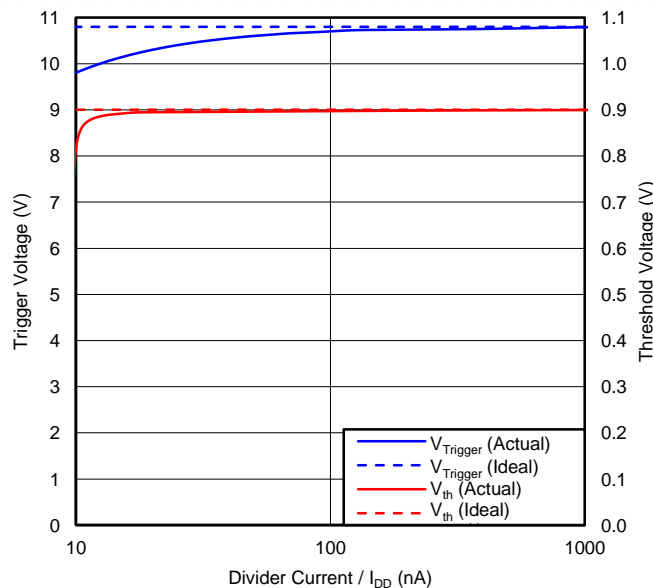


Figure 4. Effects of Trigger Voltage Accuracy with Various Divider Currents

Adding a resistor divider to the SVS system means the tolerance of the resistors ($\%Tol_R$) must be taken into account for the overall accuracy of the SVS ($\%Tol_{SVS}$). A common misconception is that using two resistors of a particular tolerance in the divider corresponds to an error of $\pm 2\%Tol_R$. In fact, this is usually not the case. Application note (SLVA450) describes this in detail. In summary, the added tolerance with the resistor divider is shown in Equation 8. The error is actually inversely proportional to the divider ratio and decreases linearly as the trigger voltage approaches the threshold voltage.

$$\pm \%Tol_R (Actual) = 2 \times \left(1 - \frac{V_{th}}{V_{Trigger}} \right) \times \%Tol_R (Specified) \quad (8)$$

4 Design Example

The following design example uses the TPS3839A09 under the following conditions for monitoring an 11-V rail and triggers a reset when the rail drops 50% of its nominal voltage (5.5 V):

- $V_{\text{rail}} = 11 \text{ V}$
- $V_{\text{Trigger}} = 5.5$
- $I_{\text{DD}} (\text{Max}) = 500 \text{ nA}$
- $V_{\text{th}} = 0.9 \text{ V}$ (TPS3839A09)

Using Equation 4 and Equation 5, R_1 and R_2 was chosen to be

$$R_1 = 70 \text{ k}\Omega$$

$$R_2 = 13.5 \text{ k}\Omega$$

Figure 5 shows the resulting waveform for a sudden drop to 5 V (V_{final}) in the 11-V rail. The time delay can be measured as 2.57 ms. In this configuration the current through the resistor divider is approximately 50 μA (or $100\times I_{\text{DD}}$). Using Equation 6, the calculated delay time is 2.6ms.

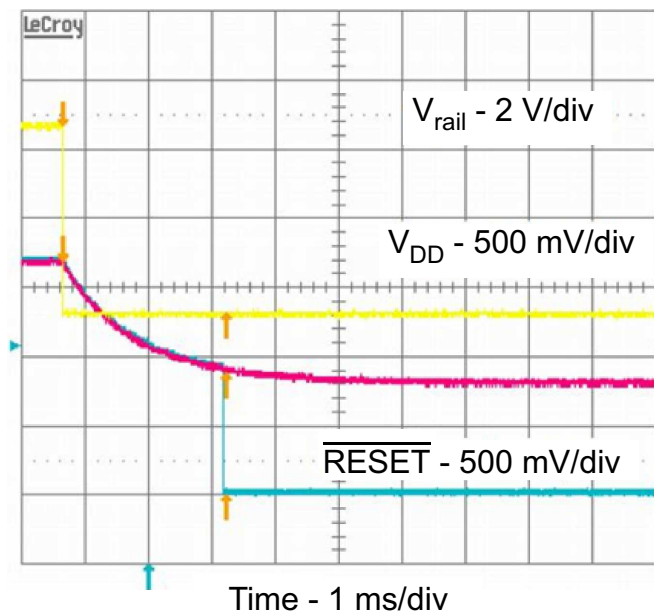


Figure 5. TPS3839A09 $\overline{\text{RESET}}$ Profile for a Resistor Divider Current $100\times I_{\text{DD}}$

To reduce the current through the resistor divider, thus prolonging battery life, the resistor divider can be increased. Figure 6 shows the resulting waveform for the divider current 10 times the supply current. Where R_1 is 700 k Ω and R_2 is 135 k Ω . Because the resistance has increased, the time delay has increased to approximately 22.1 ms. Using Equation 6, the calculated time is 21.6 ms.

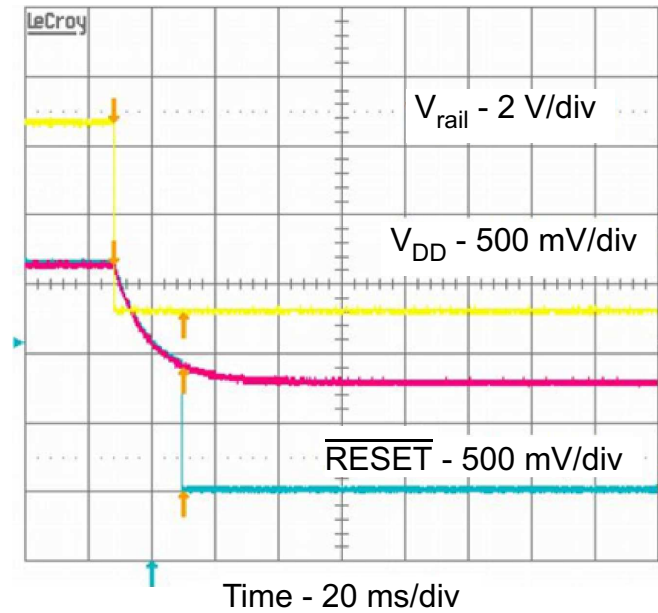


Figure 6. TPS3839A09 $\overline{\text{RESET}}$ Profile for a Resistor Divider Current $10 \times I_{DD}$

5 Conclusion

This application report has demonstrated a simple circuit and design considerations for using the TPS3839 as an adjustable SVS. The addition of a resistor divider at the input of the SVS creates a user programmable voltage threshold that can go as low the fixed threshold version V_{th} .

IMPORTANT NOTICE

Texas Instruments Incorporated and its subsidiaries (TI) reserve the right to make corrections, enhancements, improvements and other changes to its semiconductor products and services per JESD46, latest issue, and to discontinue any product or service per JESD48, latest issue. Buyers should obtain the latest relevant information before placing orders and should verify that such information is current and complete. All semiconductor products (also referred to herein as "components") are sold subject to TI's terms and conditions of sale supplied at the time of order acknowledgment.

TI warrants performance of its components to the specifications applicable at the time of sale, in accordance with the warranty in TI's terms and conditions of sale of semiconductor products. Testing and other quality control techniques are used to the extent TI deems necessary to support this warranty. Except where mandated by applicable law, testing of all parameters of each component is not necessarily performed.

TI assumes no liability for applications assistance or the design of Buyers' products. Buyers are responsible for their products and applications using TI components. To minimize the risks associated with Buyers' products and applications, Buyers should provide adequate design and operating safeguards.

TI does not warrant or represent that any license, either express or implied, is granted under any patent right, copyright, mask work right, or other intellectual property right relating to any combination, machine, or process in which TI components or services are used. Information published by TI regarding third-party products or services does not constitute a license to use such products or services or a warranty or endorsement thereof. Use of such information may require a license from a third party under the patents or other intellectual property of the third party, or a license from TI under the patents or other intellectual property of TI.

Reproduction of significant portions of TI information in TI data books or data sheets is permissible only if reproduction is without alteration and is accompanied by all associated warranties, conditions, limitations, and notices. TI is not responsible or liable for such altered documentation. Information of third parties may be subject to additional restrictions.

Resale of TI components or services with statements different from or beyond the parameters stated by TI for that component or service voids all express and any implied warranties for the associated TI component or service and is an unfair and deceptive business practice. TI is not responsible or liable for any such statements.

Buyer acknowledges and agrees that it is solely responsible for compliance with all legal, regulatory and safety-related requirements concerning its products, and any use of TI components in its applications, notwithstanding any applications-related information or support that may be provided by TI. Buyer represents and agrees that it has all the necessary expertise to create and implement safeguards which anticipate dangerous consequences of failures, monitor failures and their consequences, lessen the likelihood of failures that might cause harm and take appropriate remedial actions. Buyer will fully indemnify TI and its representatives against any damages arising out of the use of any TI components in safety-critical applications.

In some cases, TI components may be promoted specifically to facilitate safety-related applications. With such components, TI's goal is to help enable customers to design and create their own end-product solutions that meet applicable functional safety standards and requirements. Nonetheless, such components are subject to these terms.

No TI components are authorized for use in FDA Class III (or similar life-critical medical equipment) unless authorized officers of the parties have executed a special agreement specifically governing such use.

Only those TI components which TI has specifically designated as military grade or "enhanced plastic" are designed and intended for use in military/aerospace applications or environments. Buyer acknowledges and agrees that any military or aerospace use of TI components which have **not** been so designated is solely at the Buyer's risk, and that Buyer is solely responsible for compliance with all legal and regulatory requirements in connection with such use.

TI has specifically designated certain components which meet ISO/TS16949 requirements, mainly for automotive use. Components which have not been so designated are neither designed nor intended for automotive use; and TI will not be responsible for any failure of such components to meet such requirements.

Products

Audio	www.ti.com/audio
Amplifiers	amplifier.ti.com
Data Converters	dataconverter.ti.com
DLP® Products	www.dlp.com
DSP	dsp.ti.com
Clocks and Timers	www.ti.com/clocks
Interface	interface.ti.com
Logic	logic.ti.com
Power Mgmt	power.ti.com
Microcontrollers	microcontroller.ti.com
RFID	www.ti-rfid.com
OMAP Applications Processors	www.ti.com/omap
Wireless Connectivity	www.ti.com/wirelessconnectivity

Applications

Automotive and Transportation	www.ti.com/automotive
Communications and Telecom	www.ti.com/communications
Computers and Peripherals	www.ti.com/computers
Consumer Electronics	www.ti.com/consumer-apps
Energy and Lighting	www.ti.com/energy
Industrial	www.ti.com/industrial
Medical	www.ti.com/medical
Security	www.ti.com/security
Space, Avionics and Defense	www.ti.com/space-avionics-defense
Video and Imaging	www.ti.com/video

TI E2E Community

e2e.ti.com