

## **TPS65987 Evaluation Module**

This document is the user guide for the TPS65987 Evaluation Module (TPS65987EVM). The TPS65987EVM allows for evaluation of the TPS65987 IC as part of a stand-alone testing kit for development and testing of USB Type-C and Power Delivery (PD) end products. Out of the box, the TPS65987EVM is configured to emulate a single port laptop computer. The TP65987EVM also contains a TPD6S300A device for protection.

### **Contents**

1	Introduction .....	2
2	Setup .....	4
3	Using the TPS65987EVM .....	7
4	Schematic and Bill of Materials .....	8

### **List of Figures**

1	TPS65987EVM Board.....	2
2	TPS65987EVM Block Level Diagram .....	3
3	Power Path Jumper Configuration for Source or Sink .....	4
4	USB Type-C™ and External Module Connectors .....	8
5	FTDI Device and Connector .....	9
6	USB PD Controller and Memory .....	10
7	USB PD Power Paths .....	11
8	Variable DC/DC Controller .....	12
9	Buck and Boost DC/DC Convertors .....	13

### **List of Tables**

1	Jumper Configuration .....	4
2	Connector Functionality .....	5
3	Test Points.....	5
4	LEDs.....	5
5	S1 Switch Bank .....	6
6	S4 Switch Bank .....	6
7	Push Buttons .....	6
8	TPS65987EVM Bill of Materials .....	14

### **Trademarks**

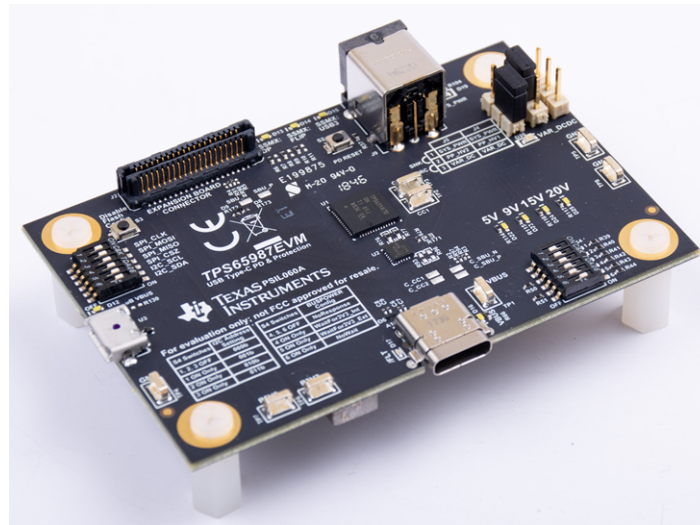
USB Type-C is a trademark of USB Implementers Forum.  
All other trademarks are the property of their respective owners.

## 1 Introduction

Texas Instrument's (TI's) TPS65987 evaluation module helps designers evaluate the operation and performance of the TPS65987 device.

The TPS65987 device is a USB Type-C and Power Delivery (PD) controller providing cable plug and orientation detection at the USB Type-C connector. Upon cable detection, the TPS65987 communicates on the CC wire using the USB PD protocol. When cable detection and USB PD negotiation are complete, the TPS65987 device enables the appropriate power path and configures Alternate Mode settings for external multiplexers. The TPS65987D device has two internal power paths that can be source or sink with current rating up to 5 A. The EVM is customizable through the TPS65987 Application Customization Tool. Additionally, the EVM is equipped with an FTDI chip for flashing a new project through SPI or I2C for debugging and development.

Figure 1 shows the TPS65987EVM board and Figure 2 shows a block level diagram.



**Figure 1. TPS65987EVM Board**

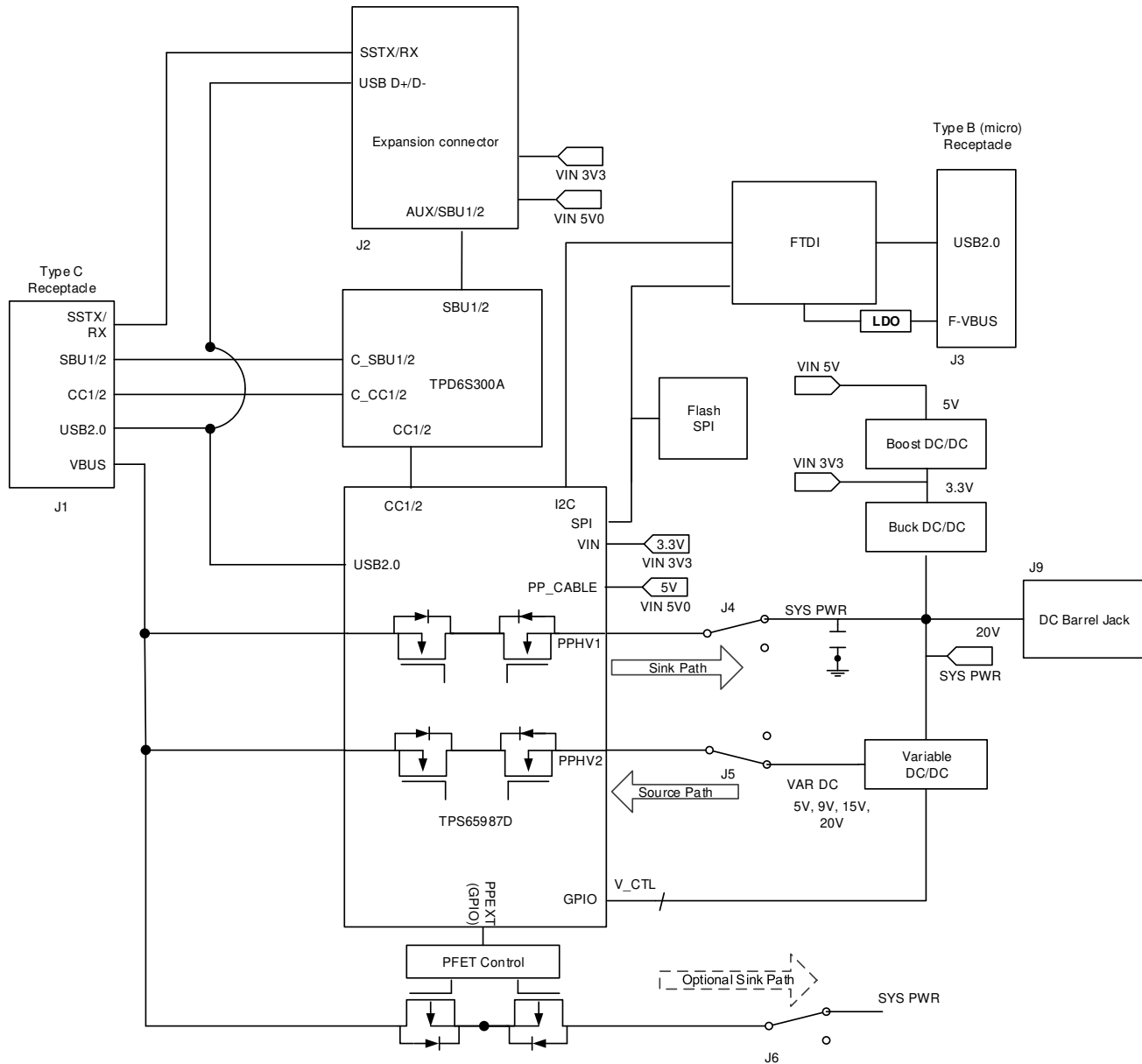


Figure 2. TPS65987EVM Block Level Diagram

### 1.1 Items Required for Operation

The following is required to operate the EVM:

- TPS65987EVM
- 20-V barrel jack adapter or dc power supply
- Active or e-marked USB Type-C cables
- USB Type-A to USB Micro-B cable ( for configuration customization, debugging and updating FW flash)
- [TPS65987D USB Type-C and USB PD Controller with Integrated Power Switches](#) data sheet
- [TPS6598x configuration tool](#)
- [TPS6598x Application Customization Tool](#) user's guide
- [How to evaluate and configure TI's USB type-C PD Controllers](#) training videos

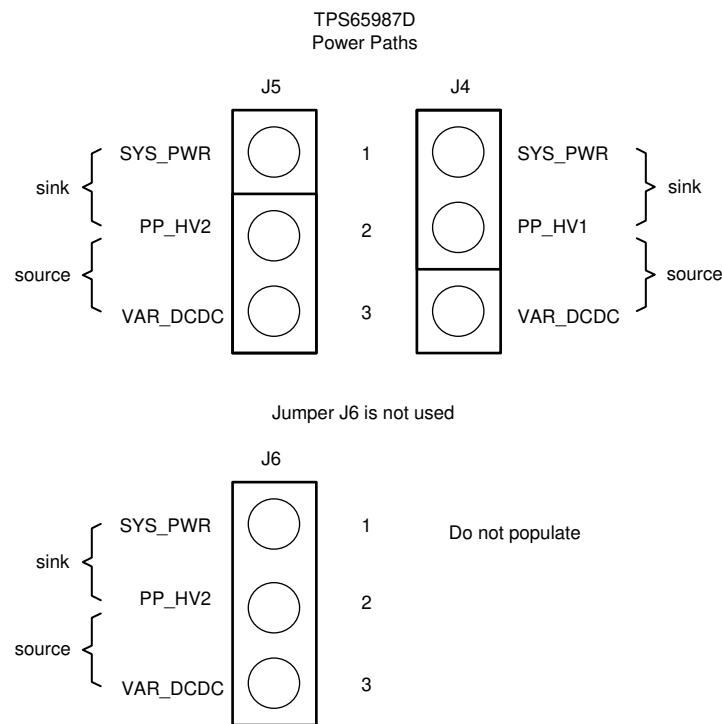
## 2 Setup

This section describes the header and jumper connections on the EVM and getting started using the TPS65987EVM.

### 2.1 Jumper Configuration

Out of the box, the TPS65987EVM is configured to use TPS65987's PPHV1 as sink path (J4) and PPHV2 as source path (J5), which matches the configuration of firmware already programmed in the device. Recovery FW can be programmed using the Application customization tool. In order to do that open the Application customization tool, go to File menu Device/Re Flash EVM Firmware (recovery), and select EVM Recovery File tps65987\_evm\_flash\_image.bin.

Remember, the jumper configuration in the hardware must match the source and sink paths in the software, *Application Customization Tool (GUI)*. See [Figure 3](#) and [Table 1](#) for the jumper configuration.



**Figure 3. Power Path Jumper Configuration for Source or Sink**

**Table 1. Jumper Configuration**

Jumper	Description
J4	TPS65987D power path: Jump pins 1-2 to sink on PP_HV1 (default)
J5	TPS65987D power path: Jump pins 2-3 to source on PP_HV2 (default)

## 2.2 Connector Functionality

Table 2 lists the TPS65987EVM connector and functionality.

**Table 2. Connector Functionality**

Designator	Description
J1	USB Type-C connector: TI recommends using an active or e-marked USB Type-c cable
J2	Expansion board connector: Option to connect to external module.
J3	Micro-B connector: Connect to a PC to flash a project on the PD controller. You must download the <a href="#">TPS6598x configuration tool (GUI)</a> to flash a project properly.
J9	Barrel jack connector: Use a 19-V to 20-V DC supply. A standard Dell or HP notebook adapter (or similar) will provide the required power.

## 2.3 Test Points

Table 3 lists the TPS65987EVM test points.

**Table 3. Test Points**

Test Point	Label	Description
TP1	VBUS	$V_{BUS}$ voltage on the USB Type-C connector. Sourcing and sinking is always in reference to $V_{BUS}$ (Source to $V_{BUS}$ or sink from $V_{BUS}$ ).
TP2	CC1	System side CC1. This could be VCONN or CC depending on polarity flip of the USB Type-C cable.
TP3	CC2	System side CC2. This could be VCONN or CC depending on polarity flip of the USB Type-C cable.
TP4, TP5, TP8	GND	Ground reference for entire board
TP6	P3V3	Output of 3.3-V DC/DC convertor to power up all ICs on the EVM
TP7	P5V0	Output of 5-V DC/DC convertor used for PP_CABLE (VCONN)

## 2.4 LEDs

Table 4 lists the TPS65987EVM LEDs.

**Table 4. LEDs**

Designator	Label	Description
D12	$\mu$ B VBUS	White LED that shows when the $\mu$ B port is connected (FTDI for GUI).
D13	SSMX: DP	White LED that shows when the TPS65987D device has enabled this signal for external module super-speed MUX (depending on version of EVM the silkscreen may appear to show this signal swapped with SSMX: USB3)
D14	SSMX: FLIP	White LED that shows when the TPS65987D device has enabled this signal for external module super-speed MUX
D15	SSMX: USB3	White LED that shows when the TPS65987D device has enabled this signal for external module super-speed MUX
D16	VBUS	White LED that shows when $V_{BUS}$ has a voltage of 5 V, 9 V, 15 V, or 20 V
D19	SYS_PWR	Blue LED that shows when the barrel jack is connected
D20	VAR_DCDC	Green LED that shows when there is a voltage on the variable DC/DC controller (U9). When the EVM acts as a source, D20 lights up.
D22	PDO_0	White LED that shows when there is a 5-V PD contract (only shown when sourcing)
D22	PDO_1	White LED that shows when there is a 9-V PD contract (only shown when sourcing)
D24	PDO_2	White LED that shows when there is a 15-V PD contract (only shown when sourcing)
D25	PDO_3	White LED that shows when there is a 20-V PD contract (only shown when sourcing)
D17	/FLT	Red LED that shows when there is an fault occurred TPD6S300A device

## 2.5 Switches

Table 5, Table 6, and Table 7 lists the TPS65987EVM switches. For S1, make sure to leave all six switches in the ON position (to the right) for flashing a project and debugging. For S4 Switch: EVM out of the box should have S4->4 (BP\_WaitFor3V3\_Internal) as on(right). This ensures that PD controller enables internal paths in dead battery mode. This switch can be turned off(left) if EVM is used as source only. Note, S4[1, 2, 3] only one switch should be in "ON" position at a time, same way for S4[4, 5, 6].

**Table 5. S1 Switch Bank**

Switch (S1)	Description
1: SPI_CLK	Connects SPI_CLK node from FTDI to TPS65987D, EEPROM when the switch is in the ON position (to the right), and disconnects when in the OFF position (to the left)
2: SPI_MOSI	Connects SPI_MOSI node from FTDI to TPS65987D, EEPROM when the switch is in the ON position (to the right), and disconnects when in the OFF position (to the left)
3: SPI_MISO	Connects SPI_MISO node from FTDI to TPS65987D, EEPROM when the switch is in the ON position (to the right), and disconnects when in the OFF position (to the left)
4: SPI_CSZ	Connects SPI_CSZ node from FTDI to TPS65987D, EEPROM when the switch is in the ON position (to the right), and disconnects when in the OFF position (to the left)
5: I2C_SCL	Connects I2C_SCL node from FTDI to TPS65987D, EEPROM when the switch is in the ON position (to the right), and disconnects when in the OFF position (to the left)
6: I2C_SDA	Connects I2C_SDA node from FTDI to TPS65987D, EEPROM when the switch is in the ON position (to the right), and disconnects when in the OFF position (to the left)

**Table 6. S4 Switch Bank**

Switch (S4)	Description
1, 2, 3 OFF	I2C address selection: 000b
1 ON Only	I2C address selection: 001b
2 ON Only	I2C address selection: 010b
3 ON Only	I2C address selection: 011b
4, 5, 6 OFF	Dead battery mode: BP_NoResponse
4 ON Only	Dead battery mode: BP_WaitFor3V3_Internal
5 ON Only	Dead battery mode: BP_WaitFor3V3_External
6 ON Only	Dead battery mode: BP_NoWait

**Table 7. Push Buttons**

Designator	Label	Description
S2	PD Reset	This switch is a push-button that pulls the HRESET pin (44) of the TPS65987D device high when pressed. Releasing the push-button pulls HRESET low again, and the TPS65987D device goes through a soft reset, which consists of reloading firmware from RAM. If a valid configuration is present in RAM, the TPS65987D device will not reload configuration from the external flash.
S3	Disable Flash Config	This push button switch will hold the SPI Miso line to GND. Use this button when booting the device. If this button is pressed when the device is booting, the TPS65987D device does not load its configuration from the SPI Flash and instead boots into a default ROM configuration.

### 3 Using the TPS65987EVM

This section discusses how to power the EVM, configure the firmware, and how to debug.

#### 3.1 Powering the TPS65987EVM

The main power supply for the EVM is the barrel jack (J9), which accepts 19 V to 20 V via a barrel jack adapter. The EVM can also be powered with an external power supply on SYS\_PWR (pin 1 of J4, J5, or J6). The input voltage can range from 5 V to 20 V, but configure the appropriate power profile for PP\_HV in the firmware using the configuration tool. The EVM can also be powered as a sink through a USB Type-C cable from a source adaptor, EVM, or device.

#### 3.2 Firmware Configurations

Out of the box, the TPS65987EVM is configured to emulate a single port laptop computer. This configuration can be used to source or sink power known as (DRP), and this configuration sets DFP\_D (Downward Facing Port). If different configurations are required to test your system, use the [TPS6598x configuration tool\(GUI\)](#) to create a configuration or load a different configuration template.

#### 3.3 Debugging the EVM

The following checks can help resolve issues when connecting the EVM to another EVM or USB Type-C device and no status LEDs are on:

Make sure that a firmware image is loaded on the TPS65987EVM, using the [TPS6598x configuration tool\(GUI\)](#).

- Make sure the CC lines are toggling for dual-role port functionality.
- Make sure the following system supplies:
  - P3V3 = 3.3 V
  - P5V0 = 5 V
  - Barrel jack / SYS\_PWR = 20 V (when plugged in)
  - VAR\_DCDC = 5 V (when barrel jack is plugged in without a USB Type-C attached cable or device)
  - V<sub>BUS</sub> = 5 V, 9 V, 15 V, or 20 V (when USB Type-C port is attached to another EVM or device)

## 4 Schematic and Bill of Materials

### 4.1 Schematic

Figure 4 to Figure 9 illustrate the TPS65987EVM schematics.

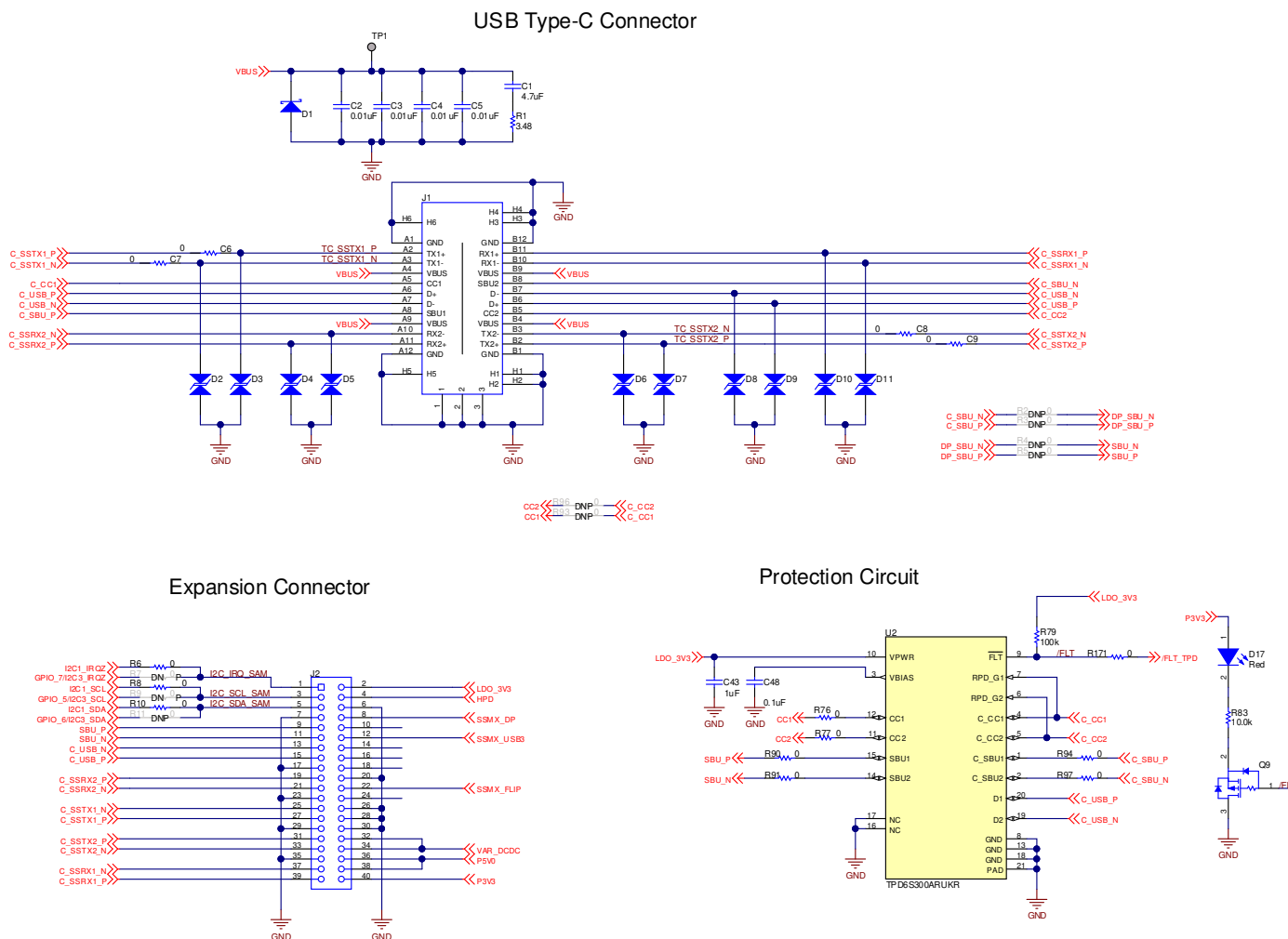
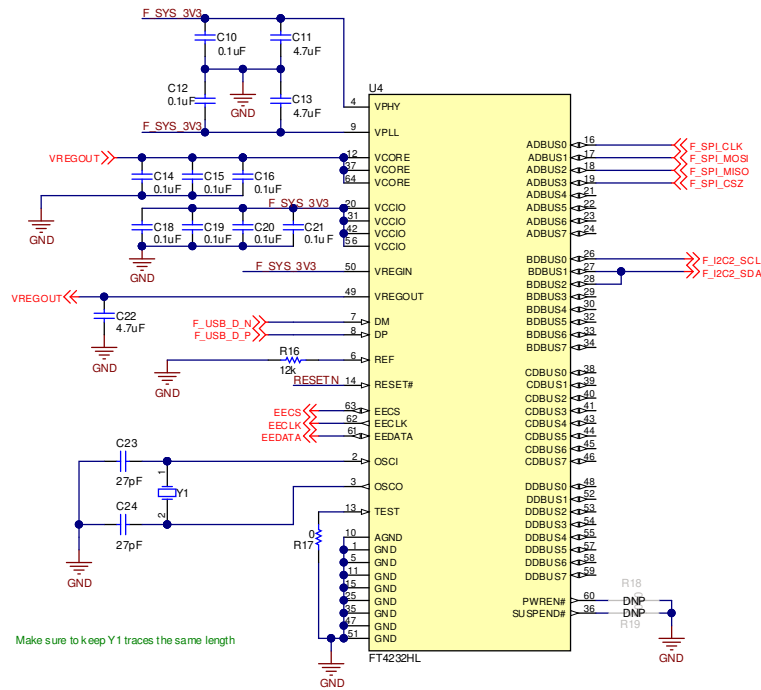


Figure 4. USB Type-C™ and External Module Connectors

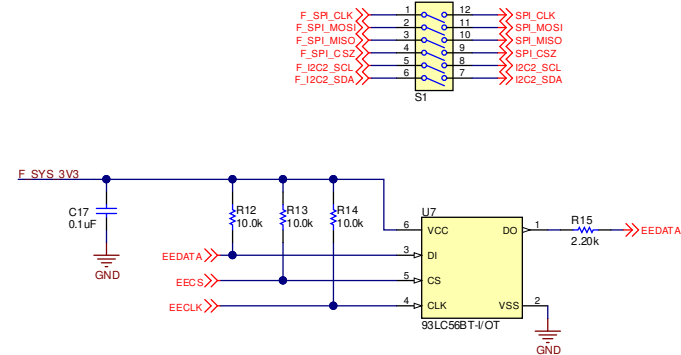


FTDI Chip

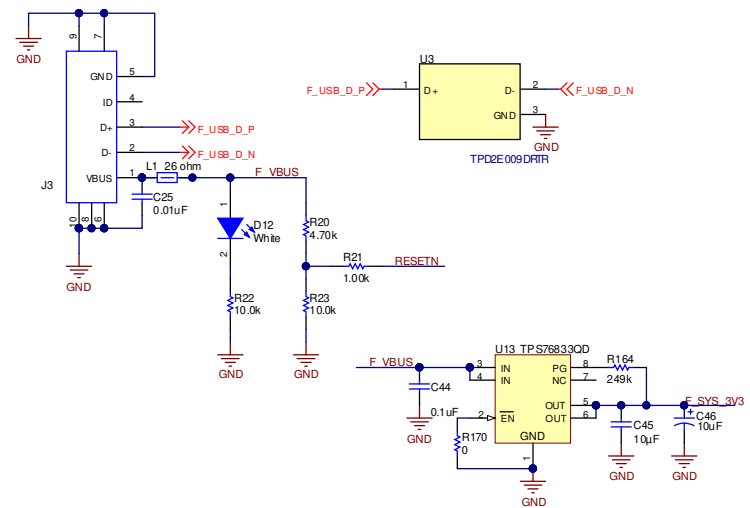


Make sure to keep Y1 traces the same length

FTDI Switches and Memory



Micro-B Connector



ULINK2 Debugger

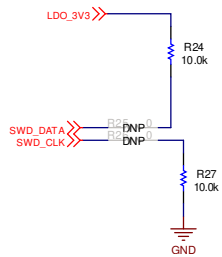
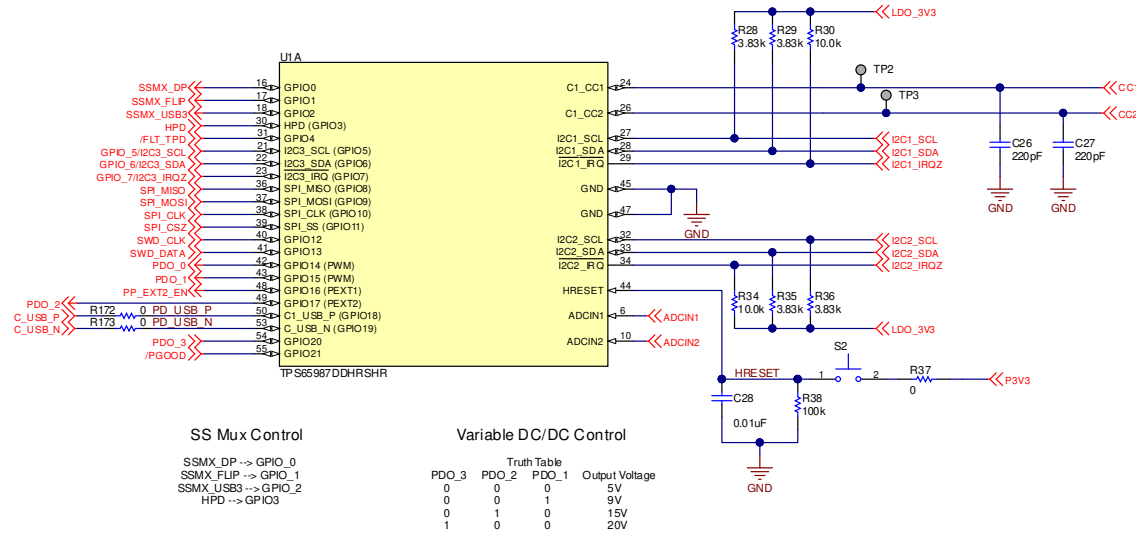


Figure 5. FTDI Device and Connector

USB PD Controller

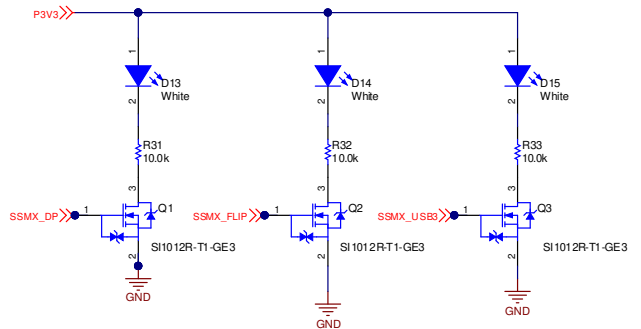


**SS Mux Control**  
 SSMX\_DP -> GPIO\_0  
 SSMX\_FLIP -> GPIO\_1  
 SSMX\_USB3 -> GPIO\_2  
 HPD -> GPIO3

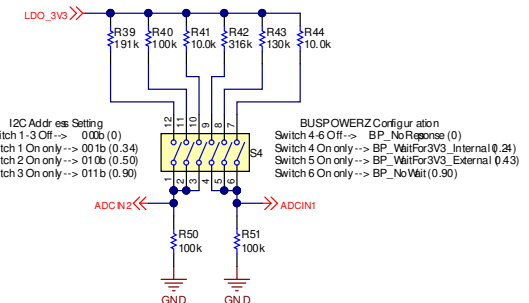
**Variable DC/DC Control**

Truth Table			
PDO_3	PDO_2	PDO_1	Output Voltage
0	0	0	5V
0	0	1	9V
0	1	0	15V
1	0	0	20V

SS Mux Control LED's



ADCIN1:2 Resistor Divider Setting



EEPROM

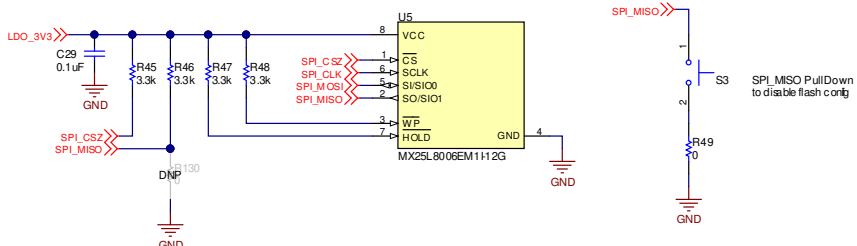
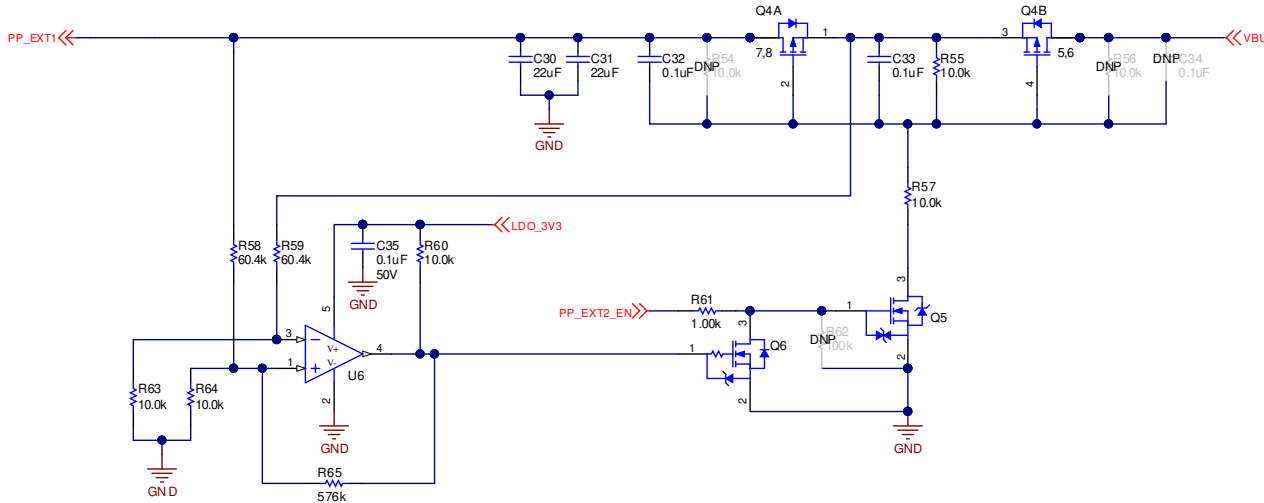
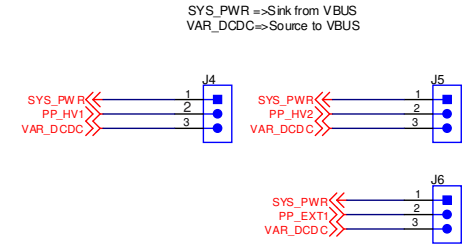


Figure 6. USB PD Controller and Memory

### External Power Path (PD Controller)



### PP Jumpers



### USB PD Power Path

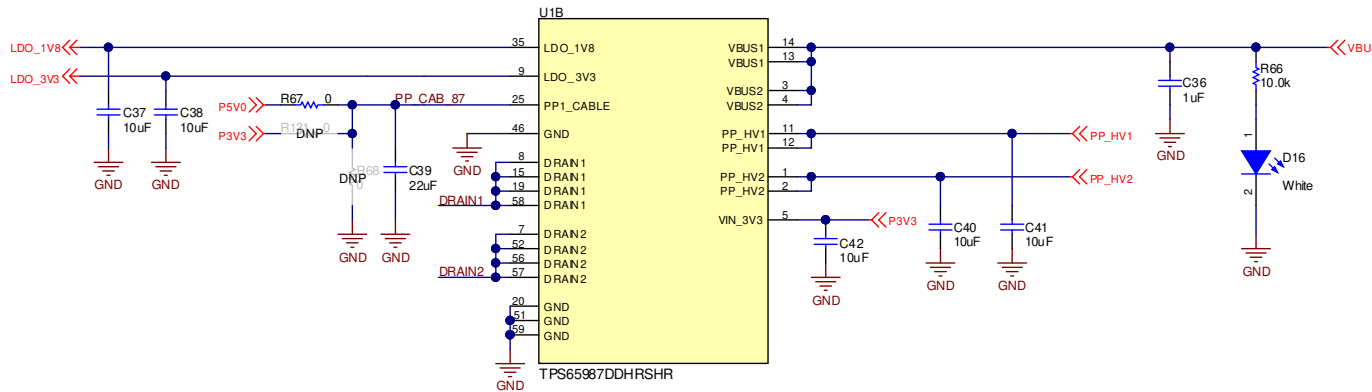
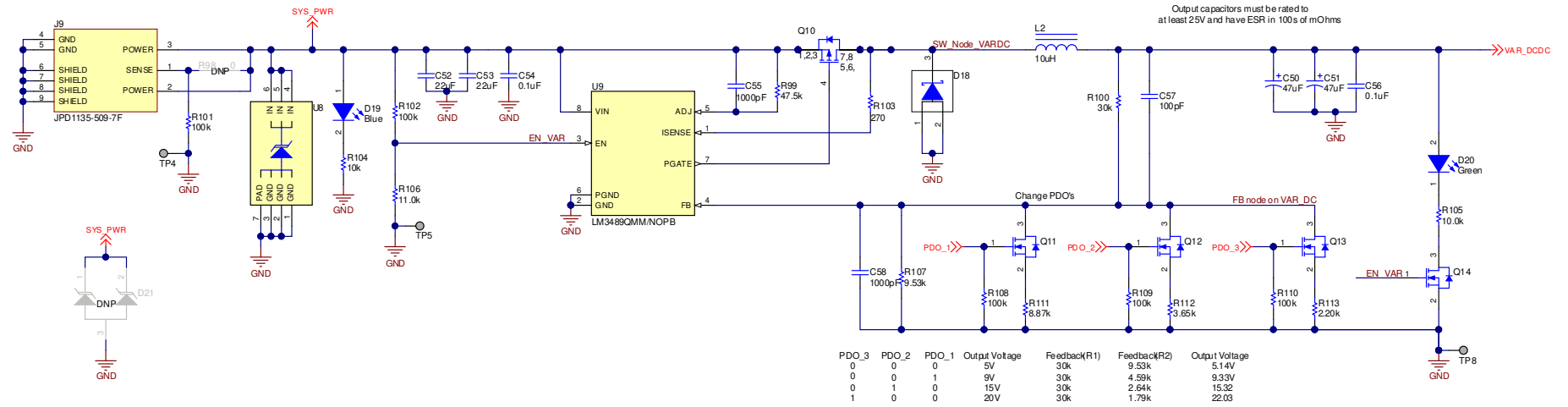
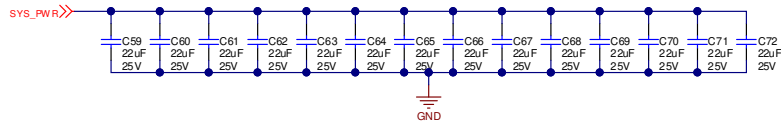


Figure 7. USB PD Power Paths

Variable DC/DC Converter: 5V, 9V, 15V, 20V



Fast Role Swap Caps



Var. DC/DC Control LED's

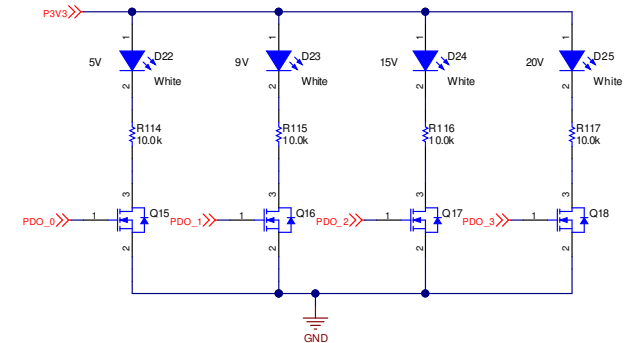
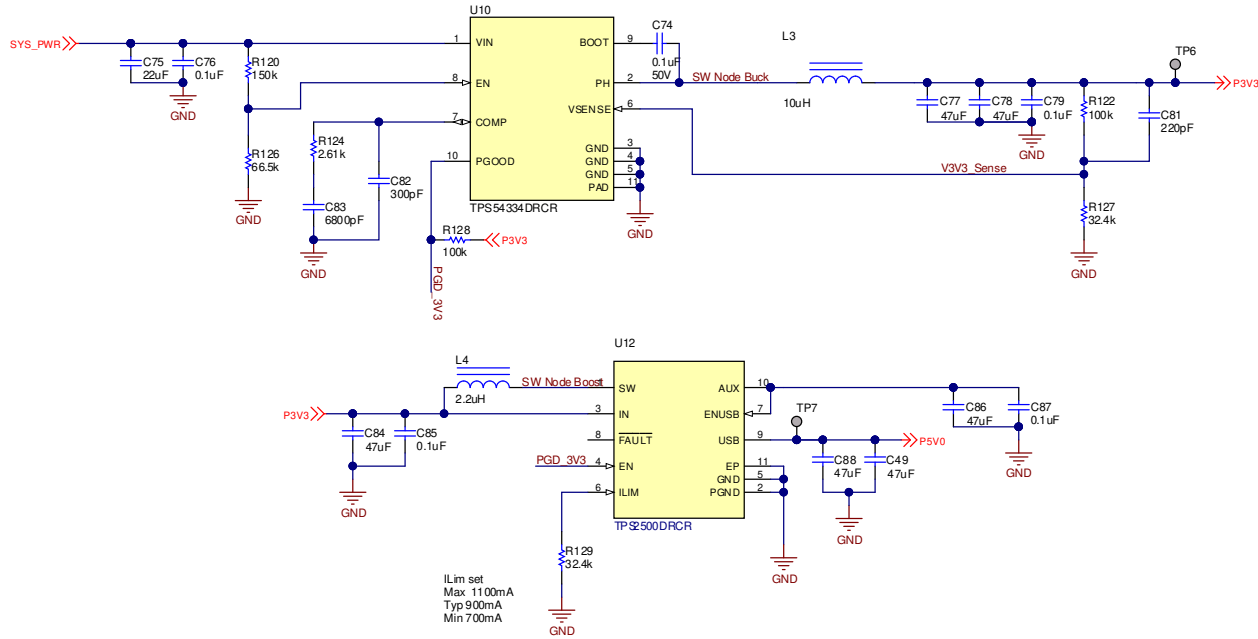


Figure 8. Variable DC/DC Controller

Buck Converter: SYS\_PW R => 3.3V  
&  
Boost Converter: 3.3V => 5V



Barrel Jack Detection

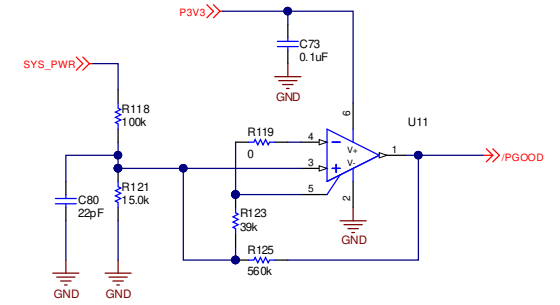


Figure 9. Buck and Boost DC/DC Converters

## 4.2 Bill of Materials

Table 8 lists the TPS65987EVM BOM.

**Table 8. TPS65987EVM Bill of Materials**

Designator	Quantity	Value	Description	PackageReference	PartNumber	Manufacturer	Alternate PartNumber	Alternate Manufacturer
!PCB1	1		Printed Circuit Board		PSIL060	Any	-	-
C1	1	4.7 uF	CAP, CERM, 4.7 $\mu$ F, 35 V, +/- 10%, X5R, 0603	0603	GRM188R6YA475KE15D	MuRata		
C2, C3, C4, C5, C28	5	0.01 uF	CAP, CERM, 0.01 $\mu$ F, 50 V, +/- 10%, C0G/NPO, 0402	0402	GCM155R71H103KA55D	MuRata		
C6, C7, C8, C9, R170	5	0	RES, 0, 5%, .05 W, AEC-Q200 Grade 0, 0201	0201	ERJ-1GN0R00C	Panasonic		
C10, C12, C35, C44, C48, C74, C76, C79, C85, C87	10	0.1 uF	CAP, CERM, 0.1 uF, 50 V, +/- 10%, X7R, AEC-Q200 Grade 1, 0402	0402	GCM155R71H104KE02D	MuRata		
C11, C13, C22	3	4.7 uF	CAP, CERM, 4.7 uF, 10 V, +/- 20%, X5R, 0402	0402	C1005X5R1A475M050BC	TDK		
C14, C15, C16, C17, C18, C19, C20, C21	8	0.1 uF	CAP, CERM, 0.1 $\mu$ F, 50 V, +/- 10%, X7R, AEC-Q200 Grade 1, 0402	0402	CGA2B3X7R1H104K050BD	TDK		
C23, C24	2	27 pF	CAP, CERM, 27 pF, 50 V, +/- 1%, C0G/NPO, 0603	0603	CL10C270FB8NNNC	Samsung Electro-Mechanics		
C25	1	0.01 uF	CAP, CERM, 0.01 $\mu$ F, 50 V, +/- 5%, X7R, 0402	0402	C0402C103J5RACTU	Kemet		
C26, C27	2	220 pF	CAP, CERM, 220 pF, 25 V, +/- 10%, X7R, 0201	0201	GRM033R71E221KA01D	MuRata		
C29	1	0.1 uF	CAP, CERM, 0.1 $\mu$ F, 16 V, +/- 10%, X7R, 0402	0402	885012205037	Würth Elektronik		
C30, C31, C52, C53, C59, C60, C61, C62, C63, C64, C65, C66, C67, C68, C69, C70, C71, C72, C75	19	22 uF	CAP, CERM, 22 $\mu$ F, 25 V, +/- 20%, X5R, 0805	0805	GRM21BR61E226ME44L	MuRata	C2012X5R1V226M125 AC, [NoValue]	
C32, C33, C56, C73	4	0.1 uF	CAP, CERM, 0.1 $\mu$ F, 35 V, +/- 10%, X5R, 0402	0402	GMK105BJ104KV-F	Taiyo Yuden		
C36	1	1 uF	CAP, CERM, 1 $\mu$ F, 50 V, +/- 10%, X7R, 0603	0603	UMK107AB7105KA-T	Taiyo Yuden		
C37, C38, C42	3	10 uF	CAP, CERM, 10 $\mu$ F, 10 V, +/- 20%, X5R, 0402	0402	CL05A106MP5NUNC	Samsung Electro-Mechanics		

**Table 8. TPS65987EVM Bill of Materials (continued)**

Designator	Quantity	Value	Description	PackageReference	PartNumber	Manufacturer	Alternate PartNumber	Alternate Manufacturer
C39	1	22 uF	CAP, CERM, 22 $\mu$ F, 10 V, +/- 20%, X5R, 0603	0603	C1608X5R1A226M080AC	TDK		
C40, C41	2	10 uF	CAP, CERM, 10 $\mu$ F, 25 V, +/- 20%, X5R, 0603	0603	GRM188R61E106MA73D	MuRata		
C43	1	1 uF	CAP, CERM, 1 $\mu$ F, 16 V, +/- 10%, X5R, 0402	0402	EMK105BJ105KVHF	Taiyo Yuden		
C45	1	10 uF	CAP, CERM, 10 $\mu$ F, 10 V, +/- 20%, X5R, 0402	0402	0402ZD106MAT2A	AVX		
C46	1	10 uF	CAP, TA, 10 uF, 10 V, +/- 10%, 2.5 ohm, SMD	3528-21	293D106X9010B2TE3	Vishay-Sprague		
C49, C84, C86, C88	4	47 uF	CAP, CERM, 47 $\mu$ F, 6.3 V, +/- 20%, X5R, 0603	0603	GRM188R60J476ME15D	MuRata		
C50, C51	2	47 uF	CAP, TA, 47 $\mu$ F, 35 V, +/- 20%, 0.9 ohm, AEC-Q200 Grade 1, SMD	7343-43	TAJE476M035RNJ	AVX		
C54	1	0.1 uF	CAP, CERM, 0.1 $\mu$ F, 50 V, +/- 10%, X6S, 0402	0402	C1005X7R1H104K050BB	TDK		
C55, C58	2	1000 pF	CAP, CERM, 1000 pF, 50 V, +/- 20%, X7R, 0402	0402	C1005X7R1H102M050BE	TDK		
C57	1	100 pF	CAP, CERM, 100 pF, 50 V, +/- 10%, X7R, 0402	0402	CC0402KRX7R9BB101	Yageo America		
C77, C78	2	47 uF	CAP, CERM, 47 $\mu$ F, 6.3 V, +/- 20%, X5R, 0805	0805	GRM21BR60J476ME15L	MuRata		
C80	1	22 pF	CAP, CERM, 22 pF, 50 V, +/- 5%, C0G/NP0, AEC-Q200 Grade 1, 0402	0402	GCM1555C1H220JA16D	MuRata		
C81	1	220 pF	CAP, CERM, 220 pF, 50 V, +/- 10%, X7R, AEC-Q200 Grade 1, 0201	0201	CGA1A2X7R1H221K030BA	TDK		
C82	1	300 pF	CAP, CERM, 300 pF, 25 V, +/- 5%, C0G/NP0, 0402	0402	C0402C301J3GAC7867	Kemet	GCM1555C1H301JA16D	
C83	1	6800 pF	CAP, CERM, 6800 pF, 50 V, +/- 10%, X7R, 0402	0402	GRM155R71H682KA88D	MuRata		
D1	1	30 V	Diode, Schottky, 30 V, 2 A, 2-XFDFN	2-XFDFN	NSR20F30NXT5G	ON Semiconductor		
D2, D3, D4, D5, D6, D7, D8, D9, D10, D11	10		1-Channel ESD Protection Diode for USB Type-C and Thunderbolt 3, DPL0002A (X2SON-2)	DPL0002A	TPD1E01B04DPLR	Texas Instruments	TPD1E01B04DPLT	Texas Instruments
D12, D13, D14, D15, D16, D22, D23, D24, D25	9	White	LED, White, SMD	0402, White	LW QH8G-Q2S2-3K5L-1	OSRAM	LW QH8G-Q2OO-3K5L-1	
D17	1	Red	LED, Red, SMD	0402	APHHS1005SURCK	Kingbright		
D18	1	40 V	Diode, Schottky, 40 V, 10 A, PowerDI5	PowerDI5	PDS1040L-13	Diodes Inc.		
D19	1	Blue	LED, Blue, SMD	1.6x0.8mm	LTST-C193TBKT-5A	Lite-On		
D20	1	Green	LED, Green, SMD	LED_0603	150060GS75000	Würth Elektronik		

**Table 8. TPS65987EVM Bill of Materials (continued)**

Designator	Quantity	Value	Description	PackageReference	PartNumber	Manufacturer	Alternate PartNumber	Alternate Manufacturer
H1, H2, H3, H4	4		Machine Screw, Round, #4-40 x 1/4, Nylon, Philips panhead	Screw	NY PMS 440 0025 PH	B&F Fastener Supply		
H5, H6, H7, H8	4		Standoff, Hex, 0.5"L #4-40 Nylon	Standoff	1902C	Keystone		
J1	1		Connector, Receptacle, USB Type C, R/A, SMT	Connector, Receptacle, USB Type C, SMT	20-0000016-01	Lintes Technology		
J2	1		Socket, 0.8mm, 20x2, Gold, SMT	Socket, 0.8mm, 20x2, Gold, SMT	LSEM-120-03.0-F-DV-A-N-K-TR	Samtec		
J3	1		Connector, Receptacle, Micro-USB Type AB, R/A, Bottom Mount SMT	Connector, Receptacle, Micro-USB Type AB, R/A, Bottom Mount SMT	ZX62RD-AB-5P8(30)	Hirose Electric Co. Ltd.	ZX62RD-AB-5P8	
J4, J5, J6	3		Header, 100mil, 3x1, Gold, TH	3x1 Header	TSW-103-07-G-S	Samtec		
J9	1		Connector, DC Power Jack, R/A, 3 Pos, TH	Power connector	JPD1135-509-7F	Foxconn		
L1	1	26 ohm	Ferrite Bead, 26 ohm at 100 MHz, 6 A, 0603	0603	BLM18SG260TN1D	MuRata		
L2	1	10 uH	Inductor, Shielded, Powdered Iron, 10 uH, 7.5 A, 0.03 ohm, AEC-Q200 Grade 1, SMD	11x10mm	SRP1038A-100M	Bourns		
L3	1	10 uH	Inductor, Shielded, 10 uH, 4 A, 0.068 ohm, SMD	7.2 mm x 6.65 mm	ASPI-0630LR-100M-T15	Abracon Corporation	-	-
L4	1	2.2 uH	Inductor, Shielded, Powdered Iron, 2.2 uH, 4.7 A, 0.035 ohm, AEC-Q200 Grade 1, SMD	4.1x4.1mm	78438356022	Würth Elektronik		
Q1, Q2, Q3	3	20 V	MOSFET, N-CH, 20 V, 0.6 A, SOT-416	SOT-416	SI1012R-T1-GE3	Vishay-Siliconix		None
Q4	1	-30 V	MOSFET, 2-CH, P-CH, -30 V, -60 A, 610x604x515mm	610x604x515mm	SI7997DP-T1-GE3	Vishay-Siliconix		None
Q5	1	30 V	MOSFET, N-CH, 30 V, 0.35 A, AEC-Q101, SOT-323	SOT-323	NX3008NBKW,115	Nexperia		None
Q6	1	20 V	MOSFET, N-CH, 20 V, 0.5 A, YJM0003A (PICOSTAR-3)	YJM0003A	CSD15380F3	Texas Instruments		None
Q9	1	-20 V	MOSFET, P-CH, -20 V, -0.76 A, SOT-416	SOT-416	NTA4151PT1G	ON Semiconductor		None
Q10	1	-30V	MOSFET, P-CH, -30 V, -11 A, FET, 3x0.8x3mm	FET, 3x0.8x3mm	AON7403	AOS		None
Q11, Q12, Q13	3	20 V	MOSFET, N-CH, 20 V, 1.05 A, SOT-23	SOT-23	BSH105,215	Nexperia		None
Q14, Q15, Q16, Q17, Q18	5	30 V	MOSFET, N-CH, 30 V, 0.18 A, SOT-323	SOT-323	NX3020NAKW,115	Nexperia		None
R1	1	3.48	RES, 3.48, 1%, 0.063 W, AEC-Q200 Grade 0, 0402	0402	CRCW04023R48FKED	Vishay-Dale		



**Table 8. TPS65987EVM Bill of Materials (continued)**

Designator	Quantity	Value	Description	PackageReference	PartNumber	Manufacturer	Alternate PartNumber	Alternate Manufacturer
R6, R8, R10	3	0	RES, 0, 5%, 0.1 W, AEC-Q200 Grade 0, 0402	0402	ERJ-2GE0R00X	Panasonic		
R12, R13, R14, R22, R23, R30, R32, R33, R34, R41, R44, R55, R57, R60, R63, R64, R66, R105, R114, R115, R116, R117	23	10.0 k	RES, 10.0 k, 1%, 0.1 W, 0402	0402	ERJ-2RKF1002X	Panasonic		
R15	1	2.20 k	RES, 2.20 k, 1%, 0.063 W, 0402	0402	RC0402FR-072K2L	Yageo America		
R16	1	12 k	RES, 12 k, 5%, 0.063 W, 0402	0402	CRCW040212K0JNED	Vishay-Dale		
R17, R119	2	0	RES, 0, 5%, 0.063 W, AEC-Q200 Grade 0, 0402	0402	CRCW04020000Z0ED	Vishay-Dale		
R20	1	4.70 k	RES, 4.70 k, 1%, 0.1 W, 0402	0402	ERJ-2RKF4701X	Panasonic		
R21, R61	2	1.00 k	RES, 1.00 k, 1%, 0.1 W, 0402	0402	ERJ-2RKF1001X	Panasonic		
R24, R27	2	10.0 k	RES, 10.0 k, 1%, 0.1 W, 0603	0603	RC0603FR-0710KL	Yageo		
R28, R29, R35, R36	4	3.83 k	RES, 3.83 k, 1%, 0.063 W, AEC-Q200 Grade 0, 0402	0402	CRCW04023K83FKED	Vishay-Dale		
R31	1	10.0 k	RES, 10.0 k, 0.5%, 0.063 W, AEC-Q200 Grade 0, 0402	0402	CRCW040210K0DHEDP	Vishay-Dale		
R37, R49, R67, R76, R77	5	0	RES, 0, 5%, 0.063 W, 0402	0402	RC0402JR-070RL	Yageo America		
R38, R40, R50, R51, R101, R102, R108, R109, R110, R118, R122, R128	12	100 k	RES, 100 k, 1%, 0.063 W, AEC-Q200 Grade 0, 0402	0402	CRCW0402100KFKED	Vishay-Dale		
R39	1	191 k	RES, 191 k, 1%, 0.063 W, AEC-Q200 Grade 0, 0402	0402	CRCW0402191KFKED	Vishay-Dale		
R42	1	316 k	RES, 316 k, 1%, 0.063 W, AEC-Q200 Grade 0, 0402	0402	CRCW0402316KFKED	Vishay-Dale		
R43	1	130 k	RES, 130 k, 1%, 0.063 W, AEC-Q200 Grade 0, 0402	0402	CRCW0402130KFKED	Vishay-Dale		
R45, R46, R47, R48	4	3.3 k	RES, 3.3 k, 5%, 0.063 W, AEC-Q200 Grade 0, 0402	0402	CRCW04023K30JNED	Vishay-Dale		
R58, R59	2	60.4 k	RES, 60.4 k, 1%, 0.063 W, AEC-Q200 Grade 0, 0402	0402	CRCW040260K4FKED	Vishay-Dale		
R65	1	576 k	RES, 576 k, 1%, 0.063 W, AEC-Q200 Grade 0, 0402	0402	CRCW0402576KFKED	Vishay-Dale		
R79	1	100 k	RES, 100 k, 5%, 0.05 W, 0201	0201	RC0201JR-7D100KL	Yageo America		

**Table 8. TPS65987EVM Bill of Materials (continued)**

Designator	Quantity	Value	Description	PackageReference	PartNumber	Manufacturer	Alternate PartNumber	Alternate Manufacturer
R83	1	10.0 k	RES, 10.0 k, 1%, 0.063 W, 0402	0402	RC0402FR-0710KL	Yageo America		
R90, R91, R94, R97, R171, R172, R173	7	0	RES, 0, 5%, 0.05 W, 0201	0201	CRCW02010000Z0ED	Vishay-Dale		
R99	1	47.5 k	RES, 47.5 k, 1%, 0.063 W, AEC-Q200 Grade 0, 0402	0402	CRCW040247K5FKED	Vishay-Dale		
R100	1	30 k	RES, 30 k, 5%, 0.063 W, AEC-Q200 Grade 0, 0402	0402	CRCW040230K0JNED	Vishay-Dale		
R103	1	270	RES, 270, 5%, 0.063 W, AEC-Q200 Grade 0, 0402	0402	CRCW0402270RJNED	Vishay-Dale		
R104	1	10 k	RES, 10 k, 5%, 0.1 W, 0603	0603	RC0603JR-0710KL	Yageo		
R106	1	11.0 k	RES, 11.0 k, 1%, 0.063 W, AEC-Q200 Grade 0, 0402	0402	CRCW040211K0FKED	Vishay-Dale		
R107	1	9.53 k	RES, 9.53 k, 1%, 0.063 W, AEC-Q200 Grade 0, 0402	0402	CRCW04029K53FKED	Vishay-Dale		
R111	1	8.87 k	RES, 8.87 k, 1%, 0.063 W, AEC-Q200 Grade 0, 0402	0402	CRCW04028K87FKED	Vishay-Dale		
R112	1	3.65 k	RES, 3.65 k, 1%, 0.063 W, AEC-Q200 Grade 0, 0402	0402	CRCW04023K65FKED	Vishay-Dale		
R113	1	2.20 k	RES, 2.20 k, 1%, 0.063 W, AEC-Q200 Grade 0, 0402	0402	CRCW04022K20FKED	Vishay-Dale		
R120	1	150 k	RES, 150 k, 1%, 0.063 W, AEC-Q200 Grade 0, 0402	0402	CRCW0402150KFKED	Vishay-Dale		
R121	1	15.0 k	RES, 15.0 k, 1%, 0.063 W, AEC-Q200 Grade 0, 0402	0402	CRCW040215K0FKED	Vishay-Dale		
R123	1	39 k	RES, 39 k, 5%, 0.063 W, AEC-Q200 Grade 0, 0402	0402	CRCW040239K0JNED	Vishay-Dale		
R124	1	2.61 k	RES, 2.61 k, 1%, 0.063 W, AEC-Q200 Grade 0, 0402	0402	CRCW04022K61FKED	Vishay-Dale		
R125	1	560 k	RES, 560 k, 5%, 0.063 W, AEC-Q200 Grade 0, 0402	0402	CRCW0402560KJNED	Vishay-Dale		
R126	1	66.5 k	RES, 66.5 k, 1%, 0.063 W, AEC-Q200 Grade 0, 0402	0402	CRCW040266K5FKED	Vishay-Dale		
R127, R129	2	32.4 k	RES, 32.4 k, 1%, 0.063 W, AEC-Q200 Grade 0, 0402	0402	CRCW040232K4FKED	Vishay-Dale		
R164	1	249 k	RES, 249 k, 1%, 0.1 W, AEC-Q200 Grade 0, 0603	0603	CRCW0603249KFKEA	Vishay-Dale		
S1, S4	2		DIP Switch, SPST, 6Pos, Slide, SMT	8.75x6.2mm	TDA06H0SB1	C&K Components		
S2, S3	2		SWITCH TACTILE SPST-NO 0.05-A ,12 V	3x1.6x2.5mm	B3U-1000P	Omron Electronic Components		
SH-J1, SH-J2	2	1x2	Shunt, 100mil, Gold plated, Black	Shunt	SNT-100-BK-G	Samtec	969102-0000-DA	3M

**Table 8. TPS65987EVM Bill of Materials (continued)**

Designator	Quantity	Value	Description	PackageReference	PartNumber	Manufacturer	Alternate PartNumber	Alternate Manufacturer
TP1, TP2, TP3, TP4, TP5, TP6, TP7, TP8	7		Test Point, Miniature, SMT	Test Point, Miniature, SMT	5019	Keystone		
U1	1		USB Type-C and USB PD Controller with Integrated Power Switches, RSH0056E (VQFN-56)	RSH0056E	TPS65987DDHRSHR	Texas Instruments	TPS65987DDHRSHT	Texas Instruments
U2	1		USB Type-C Port Protector: Short-to-VBUS Overvoltage and IEC ESD Protection, RUK0020B (WQFN-20)	RUK0020B	TPD6S300ARUKR	Texas Instruments		Texas Instruments
U3	1		ESD Protection Array for High-Speed Data Interfaces, 2 Channels, -40 to +85 degC, 3-pin SOT (DRT), Green (RoHS & no Sb/Br)	DRT0003A	TPD2E009DRTR	Texas Instruments		
U4	1		Quad High Speed USB to Multipurpose UART/MPSSE IC	LQFP_10x10mm	FT4232HL	FTDI		
U5	1		8Mb, 86MHz, NOR Flash, SOP-8	8-SOP	MX25L8006EM11-12G	Macronix International Co., LTD		
U6	1		2.2-V to 36-V, microPower Comparator, DBV0005A (SOT-23-5)	DBV0005A	TLV1701AIDBVR	Texas Instruments	TLV1701AIDBVT	Texas Instruments
U7	1		2K Microwire Compatible Serial EEPROM, SOT-23-6	SOT-23-6	93LC56B-I/OT	Microchip	93LC56BT-I/OT	
U8	1		22-V Precision Surge Protection Clamp, DRV0006A (WSON-6)	DRV0006A	TVS2200DRVR	Texas Instruments		Texas Instruments
U9	1		Automotive Grade 4.5-35 V, Hysteretic Non-Synchronous PFET Buck Controller with Enable Pin, DGK0008A (VSSOP-8)	DGK0008A	LM3489QMM/NOPB	Texas Instruments		Texas Instruments
U10	1		4.2-V to 28-V Input voltage, 3-A Output current Synchronous buck Converter with 570kHz fixed frequency, DRC0010J (VSON-10)	DRC0010J	TPS54334DRCR	Texas Instruments	TPS54334DRCT	Texas Instruments
U11	1		Nanopower, 1.8 V, SOT23 Push-Pull Comparator with Voltage Reference, DCK0006A (SOT-SC70-6)	DCK0006A	TLV3012AIDCKR	Texas Instruments	TLV3012AIDCKT	Texas Instruments
U12	1		Integrated USB Power Switch with Boost Converter, DRC0010J (VSON-10)	DRC0010J	TPS2500DRCR	Texas Instruments		
U13	1		Single Output Fast Transient Response LDO, 1 A, Fixed 3.3 V Output, 2.7 to 10 V Input, with Low IQ, 8-pin SOIC (D), -40 to 125 degC, Green (RoHS & no Sb/Br)	D0008A	TPS76833QD	Texas Instruments		
Y1	1		CRYSTAL, 12 MHz, 20 pF, SMD	7x2.3x4.1mm	ECS-120-20-3X-TR	ECS Inc.		
C34	0	0.1 uF	CAP, CERM, 0.1 uF, 35 V,+/- 10%, X5R, 0402	0402	GMK105BJ104KV-F	Taiyo Yuden		
D21	0	24 V	Diode, TVS, Uni, 24 V, 70 Vc, SOT-23	SOT-23	PESD24VS2UT,215	Nexperia		

**Table 8. TPS65987EVM Bill of Materials (continued)**

Designator	Quantity	Value	Description	PackageReference	PartNumber	Manufacturer	Alternate PartNumber	Alternate Manufacturer
FID1, FID2, FID3, FID4, FID5, FID6	0		Fiducial mark. There is nothing to buy or mount.	N/A	N/A	N/A		
R2, R3, R4, R5	0	0	RES, 0, 5%, 0.05 W, 0201	0201	CRCW02010000Z0ED	Vishay-Dale		
R7, R9, R11	0	0	RES, 0, 5%, 0.1 W, AEC-Q200 Grade 0, 0402	0402	ERJ-2GE0R00X	Panasonic		
R18, R19	0	0	RES, 0, 5%, 0.063 W, AEC-Q200 Grade 0, 0402	0402	CRCW04020000Z0ED	Vishay-Dale		
R25, R26	0	0	RES, 0, 5%, 0.1 W, AEC-Q200 Grade 0, 0603	0603	CRCW06030000Z0EA	Vishay-Dale		
R54, R56	0	10.0 k	RES, 100 k, 1%, 0.063 W, 0402	0402	ERJ-2RKF1002X	Panasonic		
R62	0	100 k	RES, 100 k, 1%, 0.063 W, AEC-Q200 Grade 0, 0402	0402	CRCW0402100KFKED	Vishay-Dale		
R68, R93, R96, R130, R131	0	0	RES, 0, 5%, 0.063 W, 0402	0402	RC0402JR-070RL	Yageo America		
R98	0	0	RES, 0, 5%, 0.125 W, AEC-Q200 Grade 0, 0805	0805	ERJ-6GEY0R00V	Panasonic		

---

## Revision History

Changes from Original (April 2019) to A Revision	Page
• Updated <a href="#">Section 1.1</a> . .....	3
• Updated <a href="#">Table 1</a> . .....	4
• Updated <a href="#">Table 2</a> . .....	5
• Updated <a href="#">Table 4</a> . .....	5
• Updated <a href="#">Section 3.2</a> . .....	7
• Updated <a href="#">Figure 4</a> title. ....	8

---

## IMPORTANT NOTICE AND DISCLAIMER

TI PROVIDES TECHNICAL AND RELIABILITY DATA (INCLUDING DATA SHEETS), DESIGN RESOURCES (INCLUDING REFERENCE DESIGNS), APPLICATION OR OTHER DESIGN ADVICE, WEB TOOLS, SAFETY INFORMATION, AND OTHER RESOURCES "AS IS" AND WITH ALL FAULTS, AND DISCLAIMS ALL WARRANTIES, EXPRESS AND IMPLIED, INCLUDING WITHOUT LIMITATION ANY IMPLIED WARRANTIES OF MERCHANTABILITY, FITNESS FOR A PARTICULAR PURPOSE OR NON-INFRINGEMENT OF THIRD PARTY INTELLECTUAL PROPERTY RIGHTS.

These resources are intended for skilled developers designing with TI products. You are solely responsible for (1) selecting the appropriate TI products for your application, (2) designing, validating and testing your application, and (3) ensuring your application meets applicable standards, and any other safety, security, regulatory or other requirements.

These resources are subject to change without notice. TI grants you permission to use these resources only for development of an application that uses the TI products described in the resource. Other reproduction and display of these resources is prohibited. No license is granted to any other TI intellectual property right or to any third party intellectual property right. TI disclaims responsibility for, and you will fully indemnify TI and its representatives against, any claims, damages, costs, losses, and liabilities arising out of your use of these resources.

TI's products are provided subject to [TI's Terms of Sale](#) or other applicable terms available either on [ti.com](http://ti.com) or provided in conjunction with such TI products. TI's provision of these resources does not expand or otherwise alter TI's applicable warranties or warranty disclaimers for TI products.

TI objects to and rejects any additional or different terms you may have proposed.

Mailing Address: Texas Instruments, Post Office Box 655303, Dallas, Texas 75265  
Copyright © 2022, Texas Instruments Incorporated