

**ABSTRACT**

This user's guide describes the setup and use of the TPS929240EVM evaluation module (EVM). This EVM helps the user evaluate the features of the Texas Instruments TPS929240-Q1, which is an automotive 24-channel LED driver with FlexWire interface, to address increasing needs of individual control of each LED string. This document includes hardware setup instructions, software instructions, a schematic diagram, a bill of materials and printed-circuit board layout drawings.

**WARNING**

Hot surface! Contact may cause burns. Do not touch!

Some components may reach high temperatures $>55^{\circ}\text{C}$ when the board is powered on. The user must not touch the board at any point during operation or immediately after operating, as high temperatures may be present.

Table of Contents

1 What You Get	3
2 What You Need In Addition	3
3 How to Get Started	3
4 Board Layout	14

List of Figures

Figure 1-1. TPS929240EVM Kit.....	3
Figure 3-1. Hardware Setup without CAN Transceiver.....	4
Figure 3-2. TPS929240EVM Jumper Configurations without TPS929120CANEVM Connected.....	4
Figure 3-3. Hardware Setup with CAN Transceiver.....	5
Figure 3-4. TPS929240EVM Jumper Configurations with TPS929120CANEVM Connected.....	6
Figure 3-5. TPS929120CANEVM Jumper Configurations.....	7
Figure 3-6. TPS929240-Q1 Gallery Page.....	7
Figure 3-7. GUI and GUI Composer Download Page.....	8
Figure 3-8. GUI Composer Runtime Installation.....	8
Figure 3-9. Firmware Update Prompt Window.....	9
Figure 3-10. USB2ANY Firmware Loader.....	10
Figure 3-11. TPS929240EVM GUI Connection Status.....	11
Figure 3-12. TPS929240EVM GUI LED Control Page.....	11
Figure 3-13. TPS929240EVM GUI Diagnostics Page.....	12
Figure 3-14. TPS929240EVM GUI EEPROM Page.....	12
Figure 3-15. TPS929240EVM GUI Register Page.....	13
Figure 3-16. TPS929240EVM GUI Debug Page.....	13
Figure 4-1. Top Layer Routing.....	14
Figure 4-2. Bottom Layer Routing (Mirrored).....	14
Figure 4-3. TPS929240EVM Schematic Diagram.....	15

List of Tables

Table 3-1. TPS929240EVM Jumpers Setting without TPS929240CANEVM Connected.....	5
Table 3-2. TPS929240EVM Jumpers Setting with TPS929240CANEVM Connected.....	6
Table 4-1. Bill of Materials (BOM).....	16

Trademarks

All trademarks are the property of their respective owners.

1 What You Get

The TPS929240EVM kit (Figure 1-1) contains:

- USB2ANY
 - Ribbon cable
 - USB cable
- TPS929240EVM
- TPS929120CANEVM
- DB-09 cable

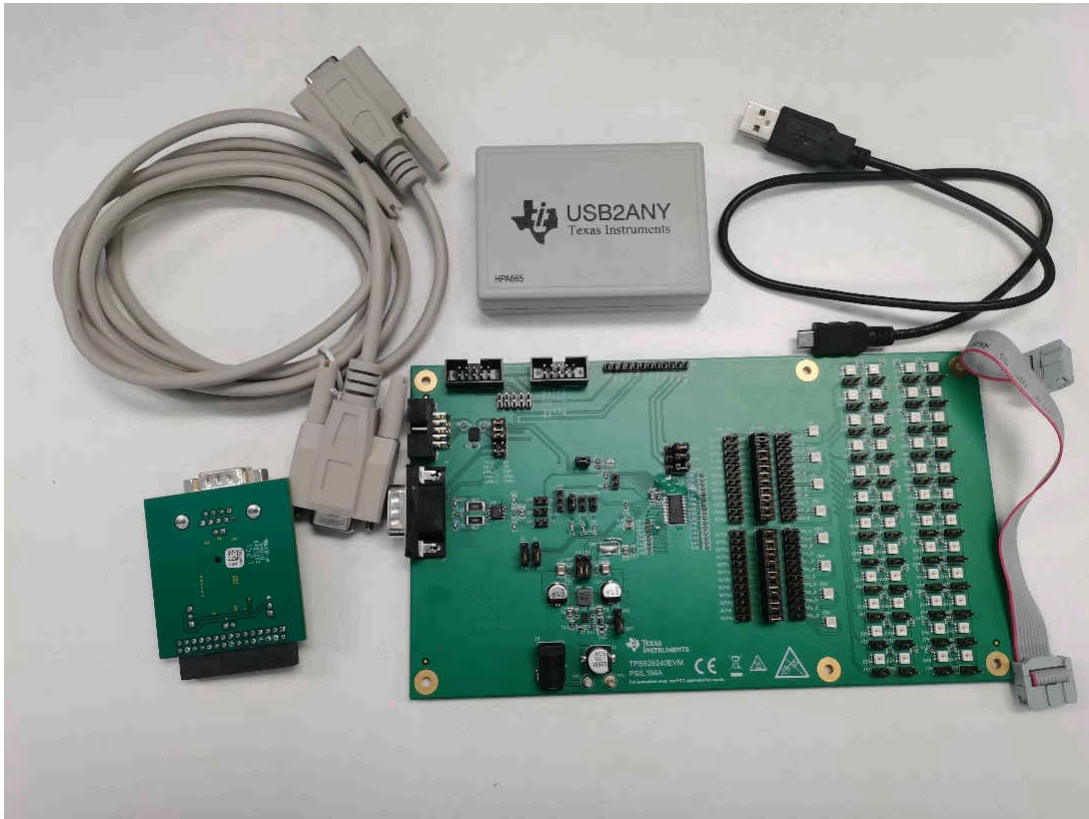


Figure 1-1. TPS929240EVM Kit

2 What You Need In Addition

The following additional items are required to run the TPS929240EVM:

- PC with TPS929240EVM GUI installed or to run the on-line TPS929240EVM GUI
- 12-V DC power supply

3 How to Get Started

3.1 Hardware Setup

There are two hardware setups to simulate the communication between MCU and TPS929240-Q1 directly or through CAN transceiver. And TPS929240EVM contains a buck in the board. You can decide whether to use it by "J3", "J22", "J79."

3.1.1 Communication without CAN Transceiver

Figure 3-1 shows the hardware setup when TPS929120CANEVM is not used. Figure 3-2 shows the jumper configurations for the TPS929240EVM without TPS929120CANEVM connected. This jumper is the default jumper configuration shipped with the board.

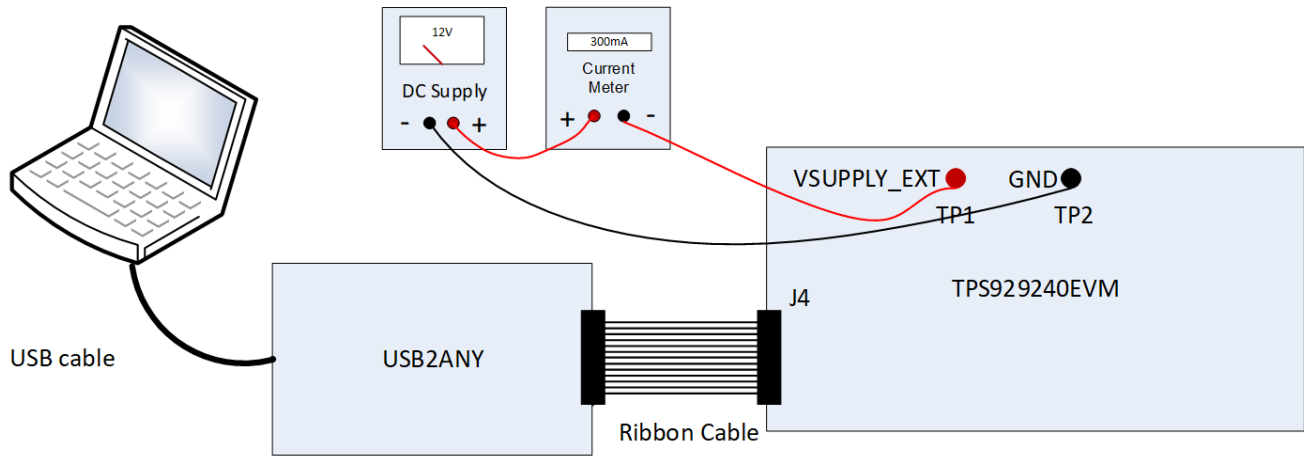


Figure 3-1. Hardware Setup without CAN Transceiver

- Connect a 12-V power supply to TP1 (VSUPPLY_EXT) and TP2 (GND).
- Connect USB2ANY tool to PC through the USB cable.
- Connect USB2ANY tool to the J4 connector of TPS929240EVM through ribbon cable.

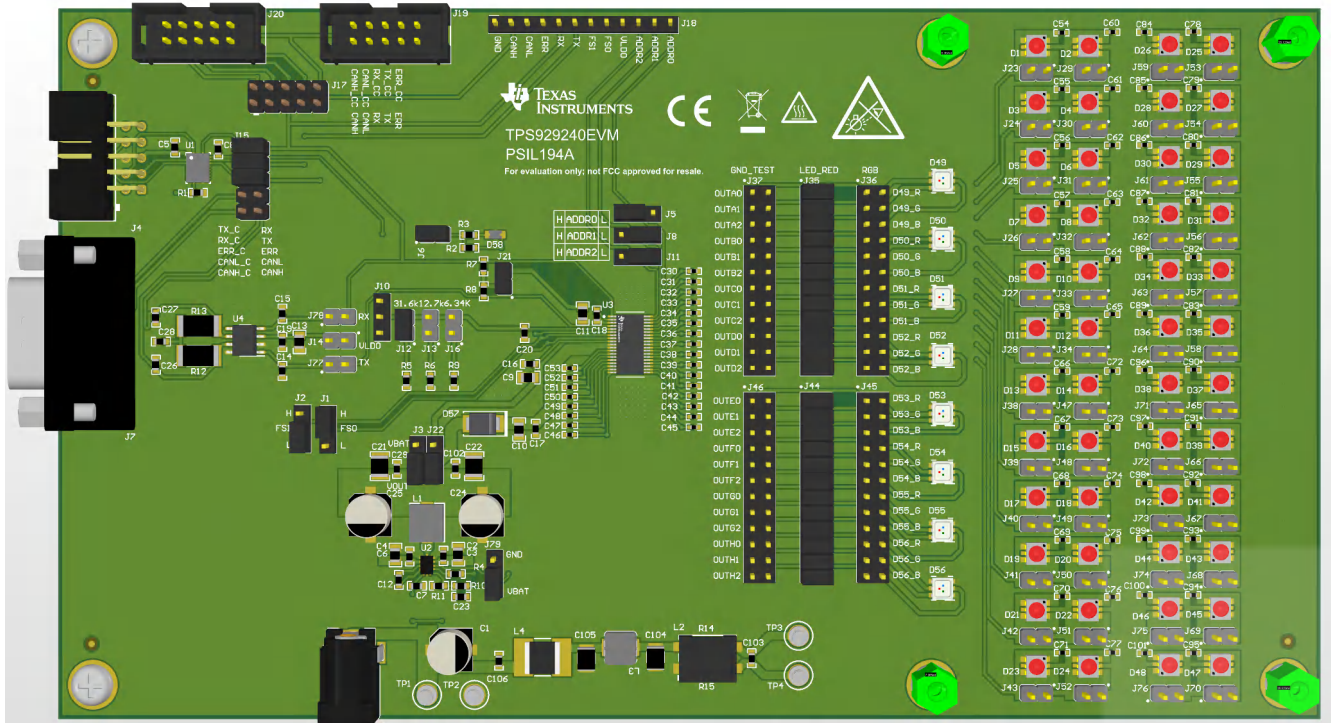


Figure 3-2. TPS929240EVM Jumper Configurations without TPS929120CANEVM Connected

Table 3-1. TPS929240EVM Jumpers Setting without TPS929240CANEVM Connected

HEADER	SETTING
J6, J12, J21, J35, J44	Short
J17, J10, J13, J16, J36, J37, J45, J46, J78, J77, J14	Open
J15	Short "TX_C" to "RX", "RX_C" to "TX", "ERR_C" to "ERR"
J11	Short "ADDR2" to "L"
J8	Short "ADDR1" to "L"
J5	Short "ADDR0" to "H"
J1	Short "FS0" to "H"
J2	Short "FS1" to "L"
J3, J22	Short to "VOUT"
J79	Short to "VBAT"
All headers paralleled with LEDs	Open

3.1.2 Communication with CAN Transceiver

Figure 3-3 shows the hardware setup when TPS929120CANEVM is used. Figure 3-4 shows the jumper configurations for TPS929240EVM with TPS929120CANEVM connected.

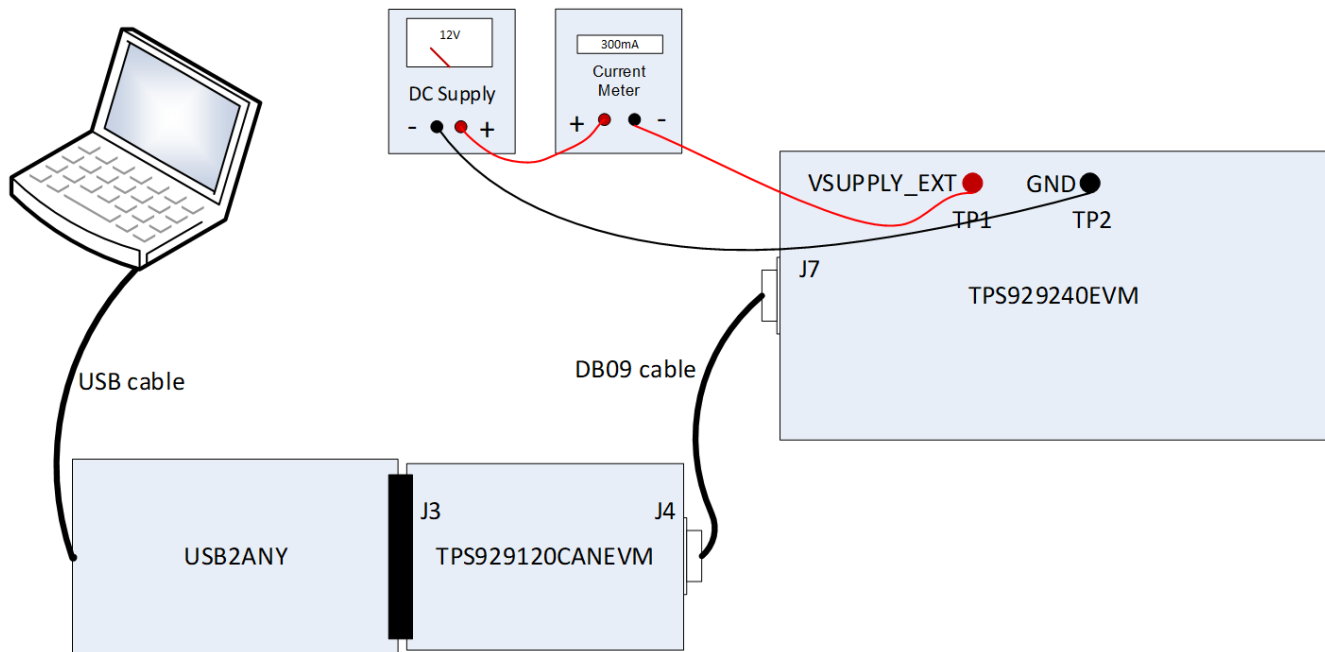


Figure 3-3. Hardware Setup with CAN Transceiver

- Connect a 12-V power supply to TP1 (VSUPPLY_EXT) and TP2 (GND).
- Connect USB2ANY tool to PC through USB cable.
- Plug TPS929120CANEVM to USB2ANY tool through the J3 header of TPS929240CANEVM.
- Connect TPS929120CANEVM to TPS929240EVM through the J4 connector of TPS929240CANEVM and the J7 connector of TPS929240EVM with DB-09 cable.

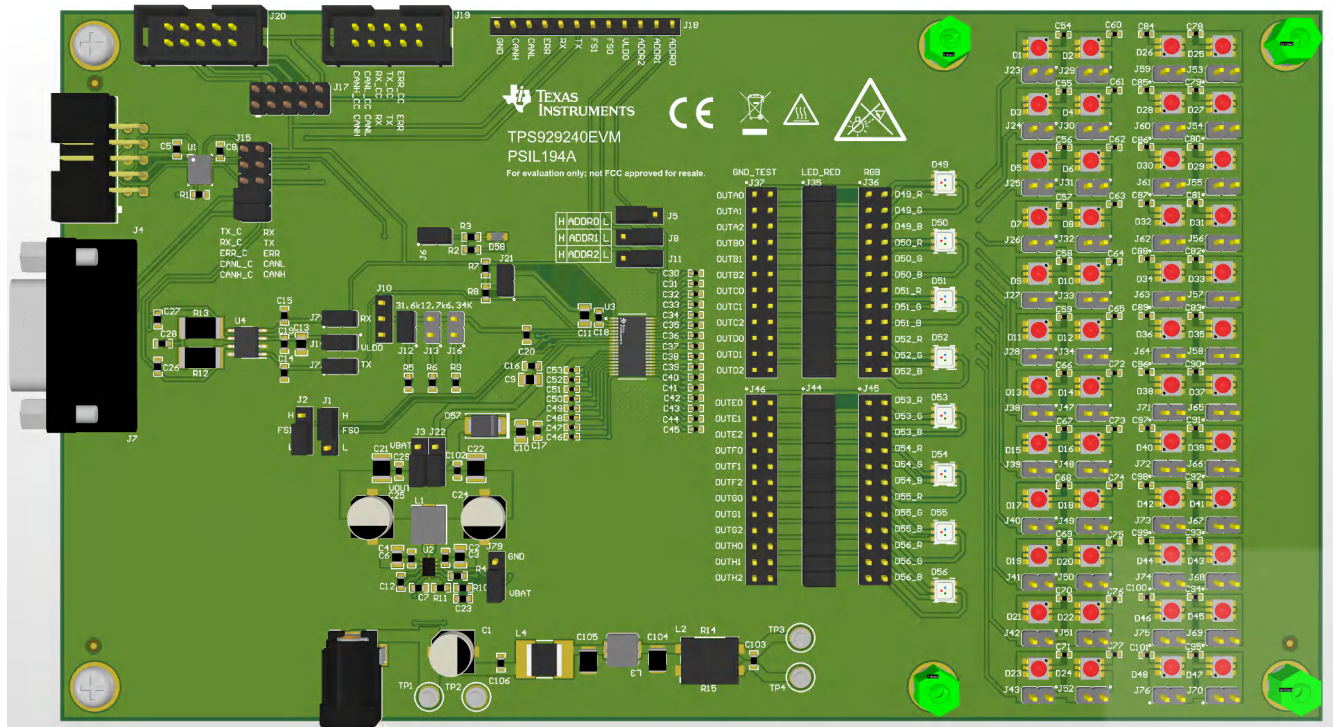


Figure 3-4. TPS929240EVM Jumper Configurations with TPS929120CANEVM Connected

Table 3-2. TPS929240EVM Jumpers Setting with TPS929240CANEVM Connected

HEADER	SETTING
J6, J12, J14, J21, J77, J78, J35, J44	Short
J17, J10, J13, J16, J36, J37, J45, J46	Open
J15	Short "CANH_C" to "CANH", "CANL_C" to "CANL"
J11	Short "ADDR2" to "L"
J8	Short "ADDR1" to "L"
J5	Short "ADDR0" to "H"
J1	Short "FS0" to "H"
J2	Short "FS1" to "L"
J3, J22	Short to "VOUT"
J79	Short to "VBAT"
All headers paralleled with LEDs	Open

Figure 3-5 shows the jumper configurations for TPS929120CANEVM. For header J5, short "+ 5 V" to "+ 5 V_U2A". For header J6, short "+ 3.3 V" to "+ 3.3 V_U2A".

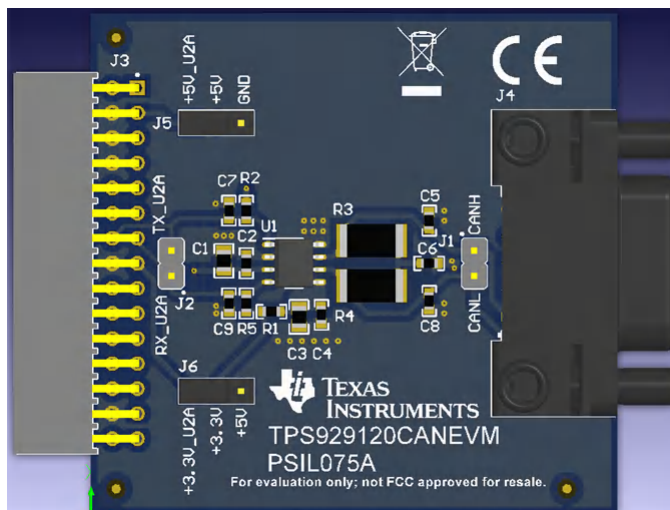


Figure 3-5. TPS929120CANEVM Jumper Configurations

3.2 Software Installation

There are two types of the GUI, online version and desktop version.

3.2.1 Run Applications Through Online

Go to the [TPS929240-Q1 EVM web page](#). Scroll down to the "Order Now" section and click the "Start Evaluation" button to reach to the TPS929240-Q1 gallery page. Login to user account privileges can be required to open the gallery page. All GUI versions are shown ordered from left to right on the gallery page as shown in [Figure 3-6](#). Left most application icon shows the latest version. Clicking the application icon to open the online version GUI. There may be prompt to download and install the browser extension and TI Cloud Agent for the first time. Follow the steps to install the browser extension and TI Cloud Agent Applications.

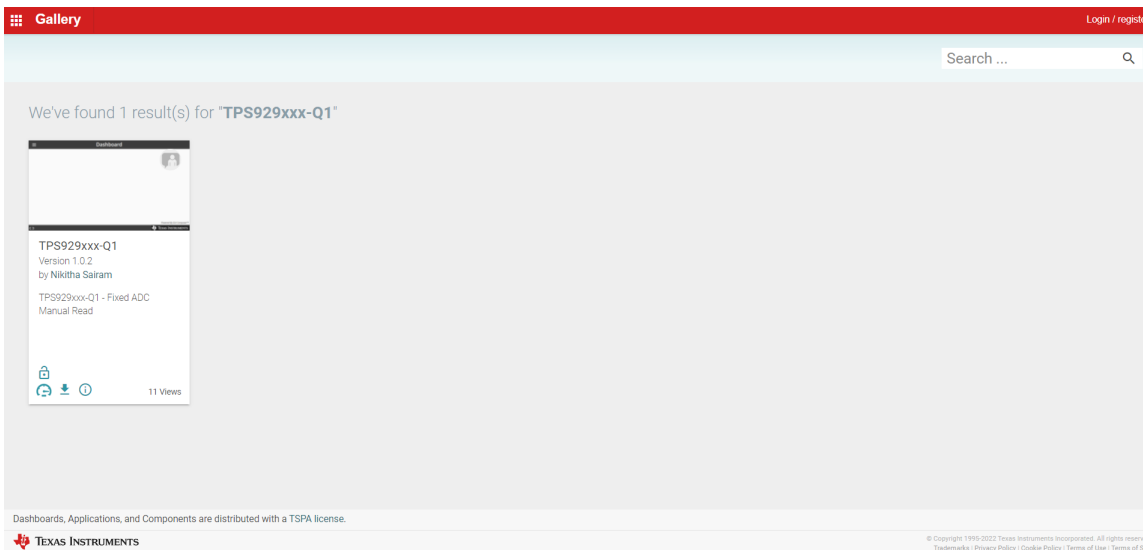


Figure 3-6. TPS929240-Q1 Gallery Page

3.2.2 Run Applications on Desktop

Click the "Download" button under the "Order Now" section to download the TPS929240EVM GUI installation zip file to local computer, or you can download it from the application icon as showed in [Figure 3-7](#) by hovering the cursor over the download button and selecting the appropriate platform. Then extract the zip folder and install the GUI using the exe - TPS929240-Q1-1.0.5.setup-win_7.3.0. Make sure the network is connected while installing the GUI.

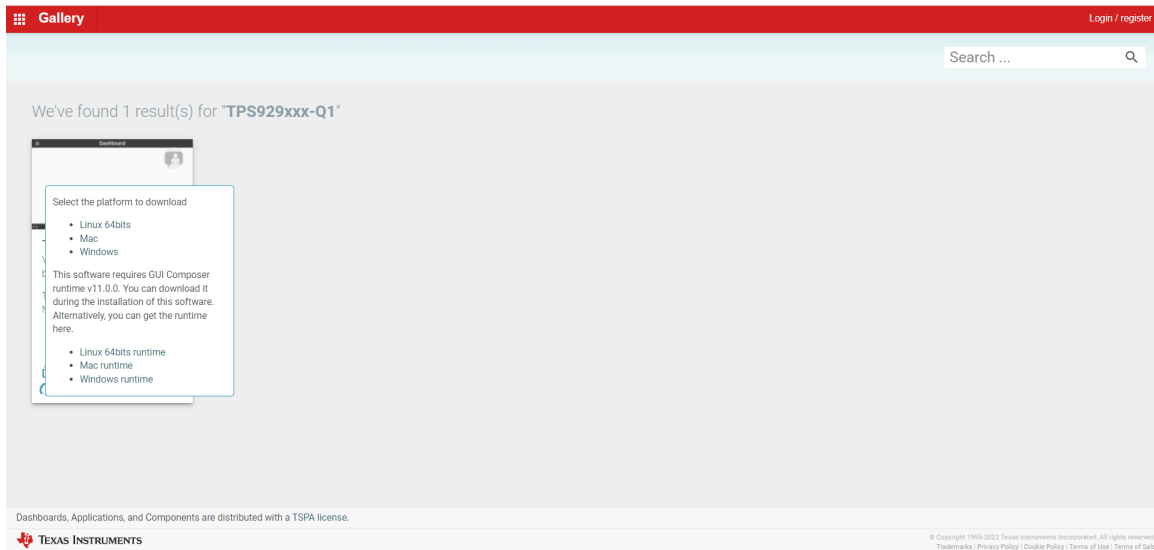


Figure 3-7. GUI and GUI Composer Download Page

Follow the on-screen instructions by clicking the "Next" button to accept the license, default installation directory and to install the GUI Composer Runtime engine. Either provide a location for the downloaded GUI Composer Installer, or choose to download from the web. The GUI Composer Installer can be downloaded from the gallery page as showed in [Figure 3-7](#) by selecting the appropriate platform. Continue to click on the "Next" button to complete the GUI Composer Runtime installation.

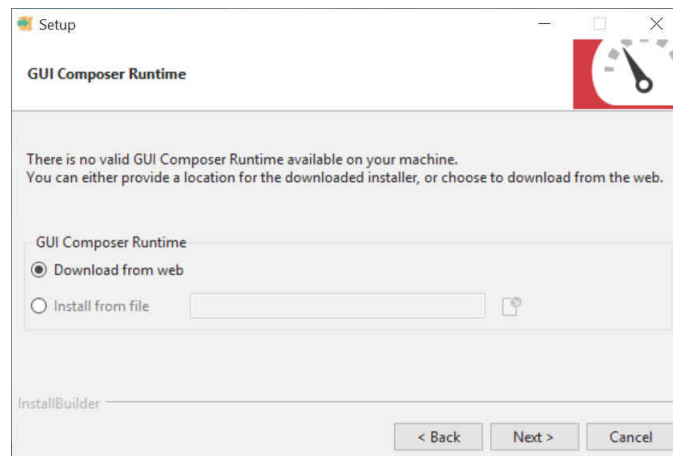


Figure 3-8. GUI Composer Runtime Installation

After the GUI Composer installation, it continues to install the TPS929240EVM GUI. Follow the on-screen instructions by clicking the "Next" button to finish the GUI installation. After installed, a shortcut to the GUI is found on the desktop and also in the start-up menu under the Texas Instruments folder.

3.3 Firmware Update

After opening the GUI, the GUI tries to connect the EVM board. At the moment, the GUI detects the firmware version of the connected USB2ANY tool automatically. If the firmware version is not mapping with the recommended version for the GUI, there is a prompt as shown in [Figure 3-9](#) to help user update the firmware in the USB2ANY. Click the update button to begin the firmware update process. After firmware update succeeds, click the finish button to close the prompt window. Then the GUI tries to connect the EVM board again with the defined device address. After it connects successfully, there is a 3 confirmation sync-up prompt windows, the connected LEDs type (Monochrome or REG), Fail-Safe state (0 or 1) and EEPROM programming Mode (Chip select or External address). For each confirmation window, just click on the correct image mapping to the current EVM setup.

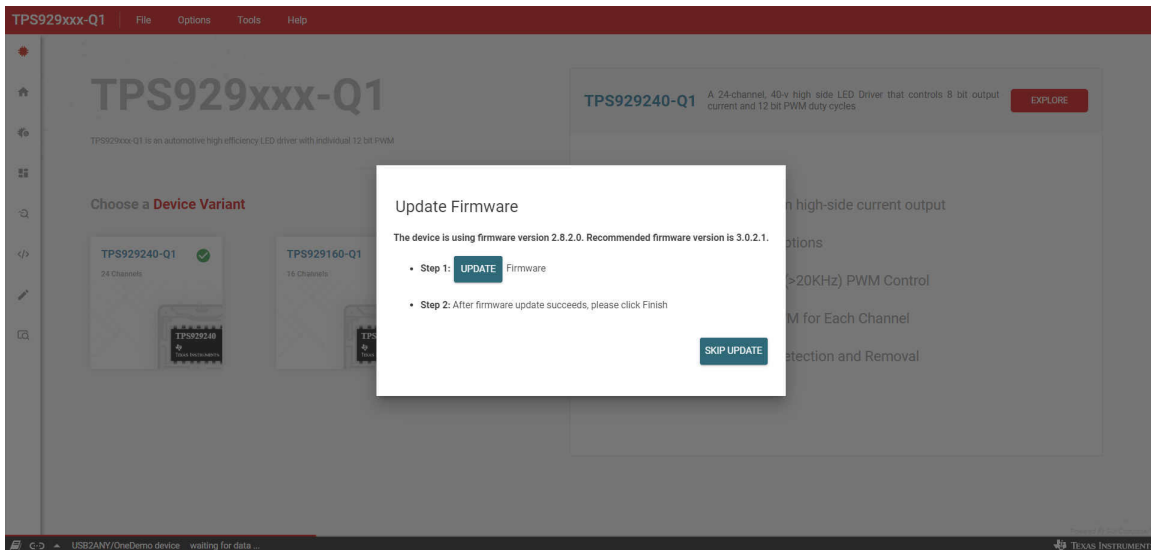


Figure 3-9. Firmware Update Prompt Window

If the firmware version of the USB2ANY tool is lower than 2.8.2.0 there is not firmware update prompt as showed in [Figure 3-9](#). Upgrade the firmware version to 2.8.2.0 manually. Go to [USB2ANY Interface Adaptor web page](#), scroll down to "Key Document" section and click "USB2ANY Explorer Software" to download the installation file. Extract the zip file and install the USB2ANY Explorer using the "USB2ANY Explorer-2.8.2.0 Setup" exe file. After USB2ANY Explorer installation, open the software with USB2ANY tool connected to the computer. Please make sure that the GUI is closed while opening the USB2ANY Explorer. After the explorer is opened, there is a "USB2ANY Firmware Requirement" prompt. Click the "OK" button to continue. Follow the instructions on the "USB2ANY Firmware Loader" as showed in [Figure 3-10](#) to update the firmware.

After upgrading the USB2ANY firmware version to 2.8.2.0, close the USB2ANY Explorer and open the TPS929240EVM GUI again. While trying to connect the EVM board, the firmware upgrade window as showed in [Figure 3-9](#) appears.

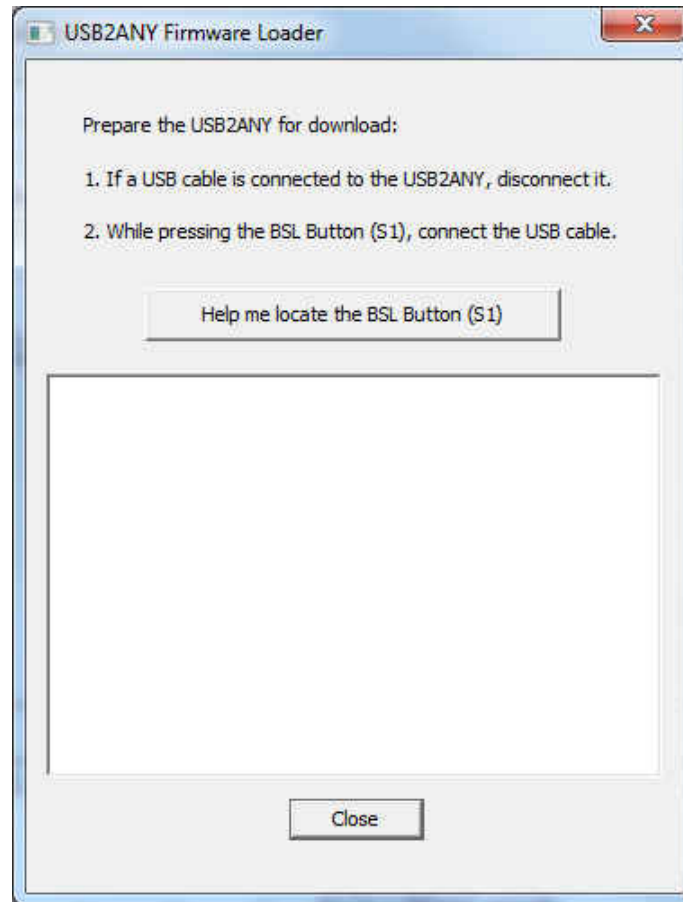


Figure 3-10. USB2ANY Firmware Loader

3.4 GUI Function

This section provides instructions to run the TPS929240EVM using the TPS929240EVM GUI.

3.4.1 Connection Status

Make sure to power up the EVM board and connect it to the PC through USB2ANY tool before opening the on-line version GUI or desktop version GUI. If the GUI has been opened but the USB2ANY has not been connected to the PC, make sure the USB2ANY has been connected to the powered-up EVM board when plugging it into the PC. Other operation orders may lead to the GUI working abnormally. After this action happens, please refresh the on-line version GUI or re-run the desktop version GUI.

The GUI supports both hardware setups with CAN board connected or not connected. When CAN board connected, the CAN checkbox on the "Device Address" widget must be checked. When the CAN board is not connected, leave the CAN checkbox unchecked. Before changing hardware setup, remove the USB2ANY cable plug from PC.

Before using the GUI, make sure the hardware is connected successfully. Check the connection status on the home page where there is a green check mark on the left side of the TPS929240-Q1 body, which means the USB2ANY is connected to the computer successfully. If there is a red X mark, it means the hardware is not connected. Reconnect the device.

After hardware is connected, either "Hardware Connected" or "Hardware not Connected" shows on the bottom left corner of the GUI. The button to connect or disconnect the GUI to hardware is also available there. Click the button to connect to hardware if hardware is not connected or to disconnect from hardware while hardware connected.

To connect the GUI to device successfully, set the correct device address on the GUI to map the real device address. See the [TPS929240-Q1 12-Channel Automotive 40-V High-Side LED Driver with FlexWire data sheet](#)

for instructions to set the device address. The default device address setting value of the GUI is 0x01 when you open the GUI.

On the EVM board, the ADDR0, ADDR1 and ADDR2 can be configured as High or Low through "J5", "J8" and "J11" connectors. On the GUI page you can directly enter the specified value through the "Device Address" widget.

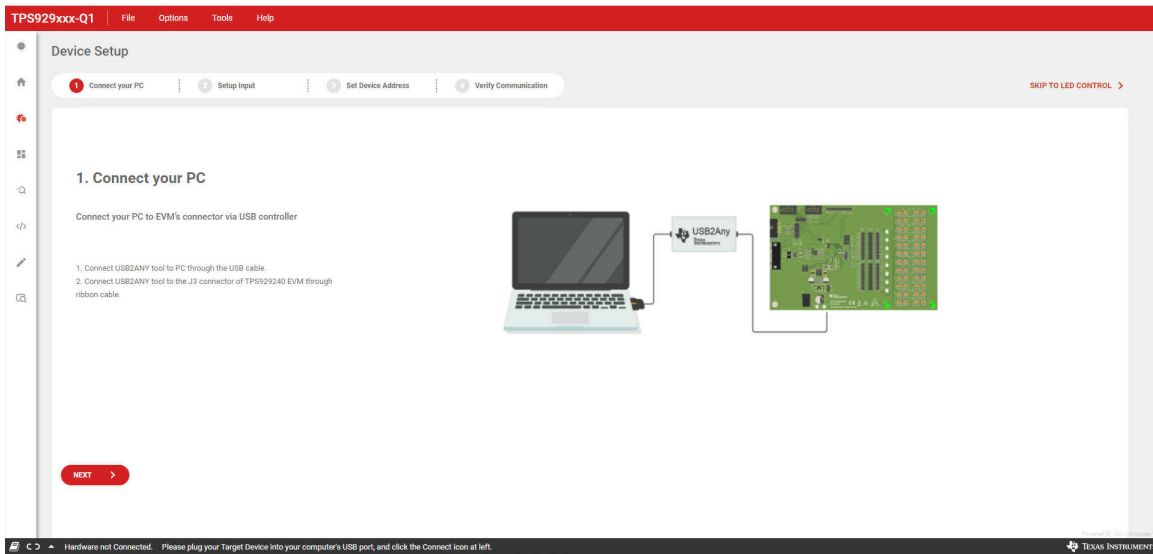


Figure 3-11. TPS929240EVM GUI Connection Status

3.4.2 LED Control Page

Figure 3-12 shows the registers page. On the left side, you can select one or more channels to control. On the right side, you can change the current and PWM of the selected channel. The ADC value and error flag is shown on the right. The green button called "Device Configuration" is used to make an advanced setup.

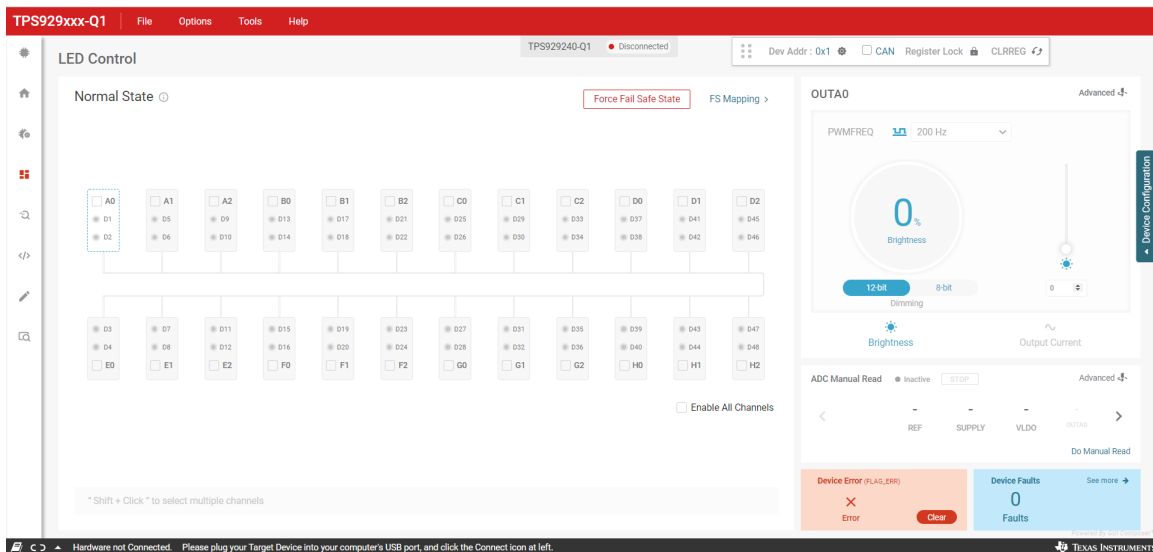


Figure 3-12. TPS929240EVM GUI LED Control Page

3.4.3 Diagnostics Page

The diagnostics page monitors the status of each channel of the TPS929240EVM and shows the corresponding protection features.

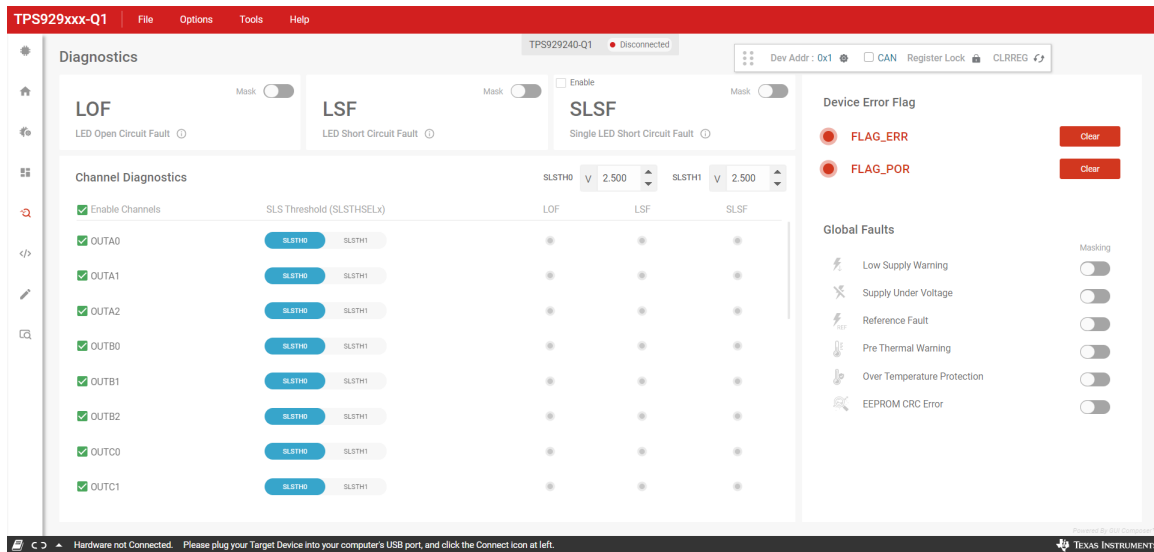


Figure 3-13. TPS929240EVM GUI Diagnostics Page

3.4.4 EEPROM Programming Page

The device supports two programming modes for different applications: either with chip select or external address select. [Figure 3-14](#) shows the EEPROM programming page. Click "Enter Programming Mode" to enter the EEPROM mode and change the corresponding register value. "Read EEPROM" is used to get the value from the TPS929240EVM. After changing the value, click "Write EEPROM" button. Then the all the current configuration value really overwrites the corresponding EEPROM registers.

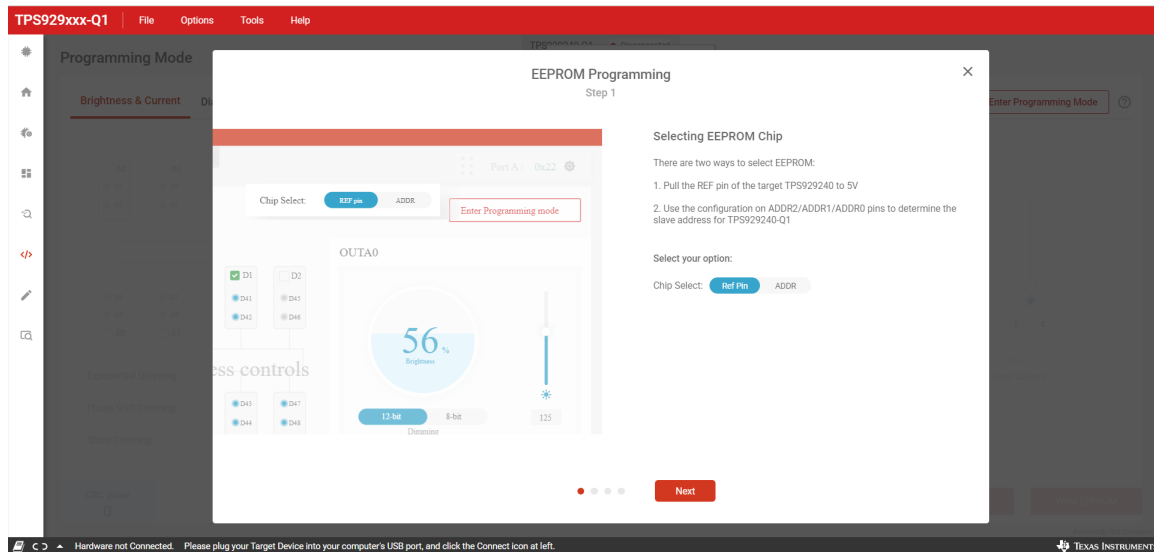


Figure 3-14. TPS929240EVM GUI EEPROM Page

3.4.5 Registers Page

[Figure 3-15](#) shows the registers page. All the configuration and EEPROM registers are available on this page. Clicking on the row of the register automatically updates the corresponding field view on the right side of the page. The register value can be modified through clicking the "Value" column or double clicking the "Bits" column. The modified value is effective immediately if "Immediate" function is selected on the top right corner. The modified value does not take effect until you click "WRITE REGISTER" button with "Deferred" function selected. Click "READ REGISTER" button only reads the selected register. All registers' value can be read back or set one time through clicking "READ ALL REGISTERS" or "WRITE ALL REGISTERS".

Modifying the EEPROM registers' value on the register map page does not overwrite the real EEPROM registers' value. Real EEPROM registers' value can be modified only through EEPROM programming page.

Jumping to other pages from the programming page or clicking "Exit PROG mode" button automatically forces the device exit EEPROM programming mode through clearing CONF_STAYINEEP method, which means the newly modified EEPROM registers value do not update to corresponding configuration registers after exiting EEPROM programming mode. CLR_REG can be set through register map page to update configuration registers with the latest EEPROM registers value immediately. For other detailed operation instructions, see the walkthrough wizard of this page.

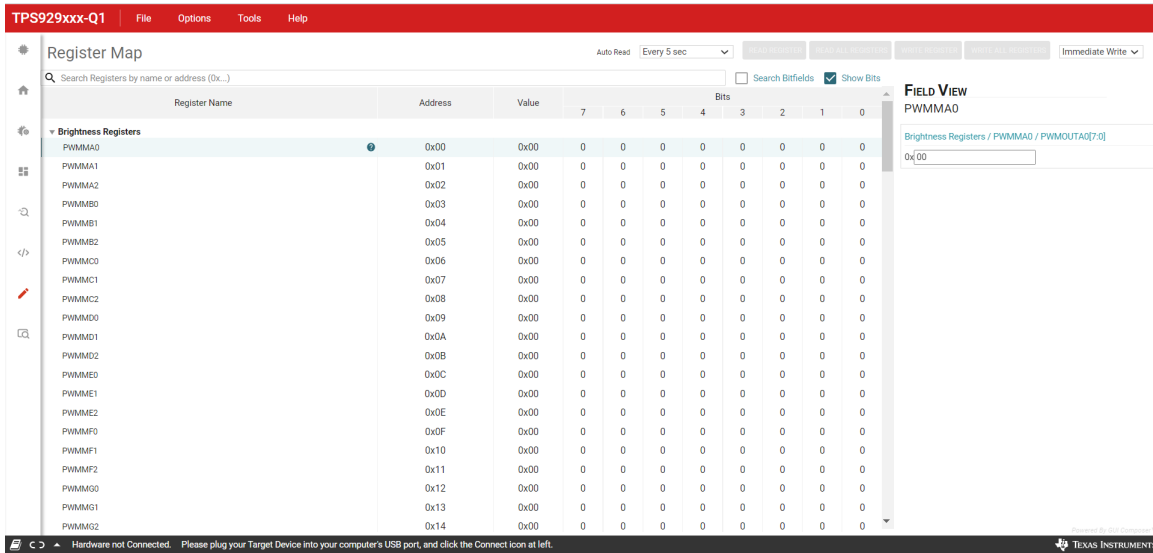


Figure 3-15. TPS929240EVM GUI Register Page

3.4.6 Debug Page

Figure 3-16 shows the debug function of the GUI. This function can calculate the corresponding CRC value based on the communication protocol of the TPS929240 and send the complete data. This page allows you to program and debug the TPS929240.

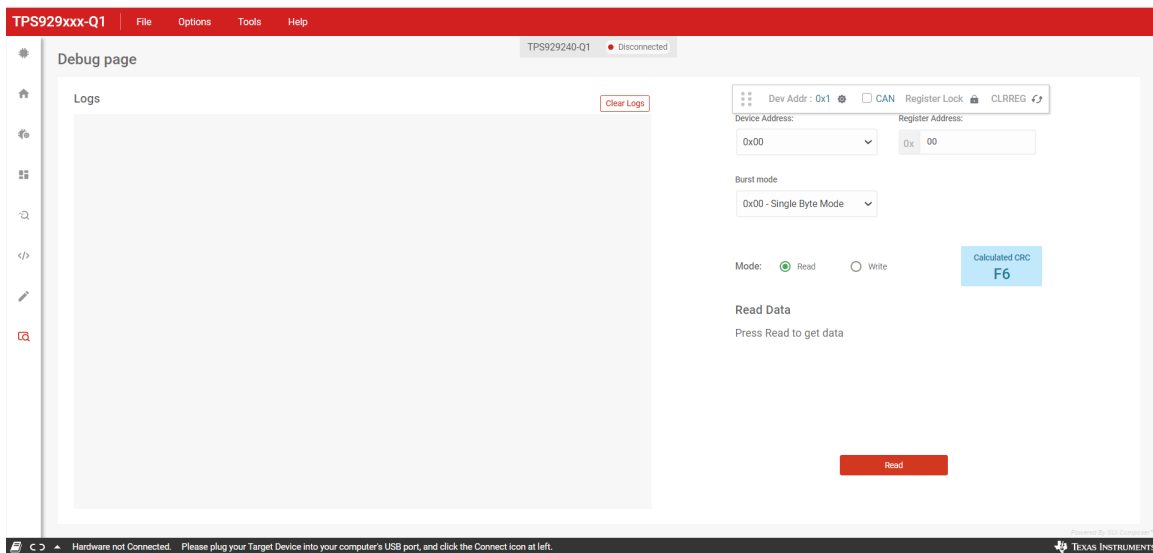


Figure 3-16. TPS929240EVM GUI Debug Page

4 Board Layout

Figure 4-1 and Figure 4-2 show the PCB layout of TPS929240EVM.

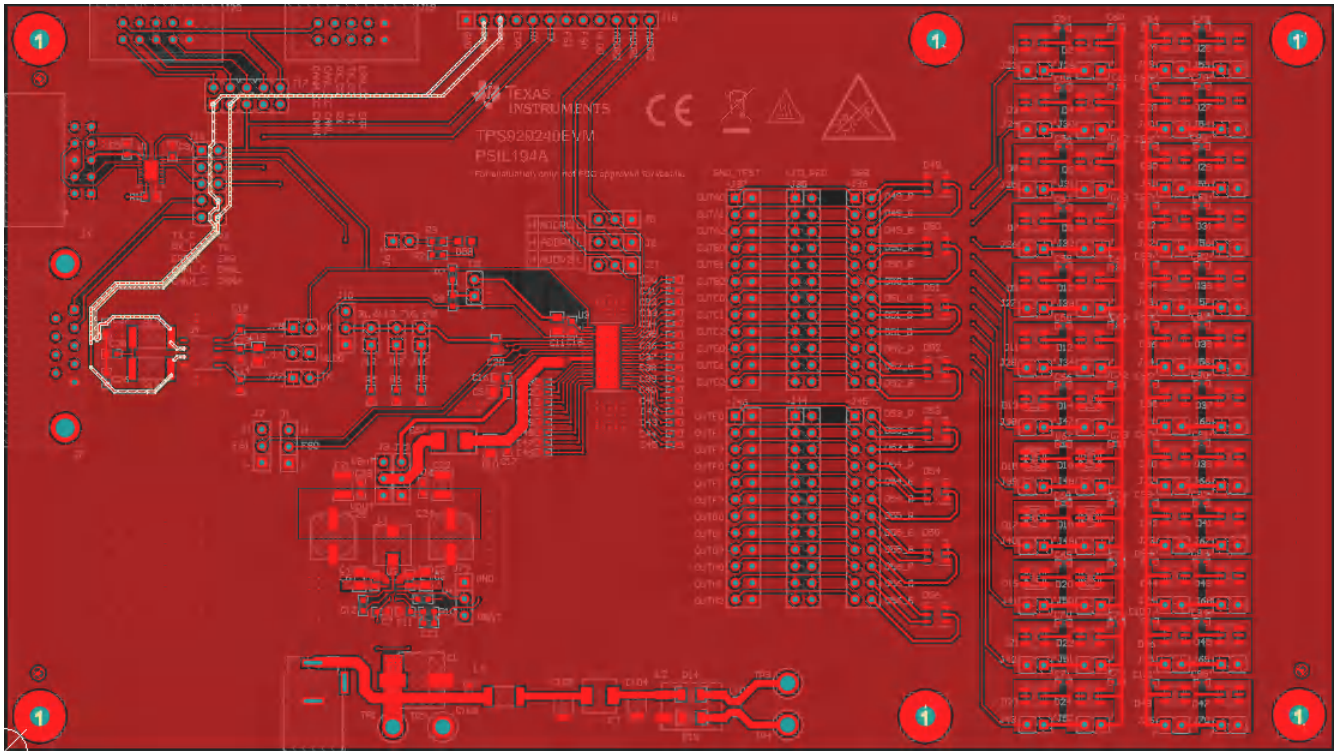


Figure 4-1. Top Layer Routing

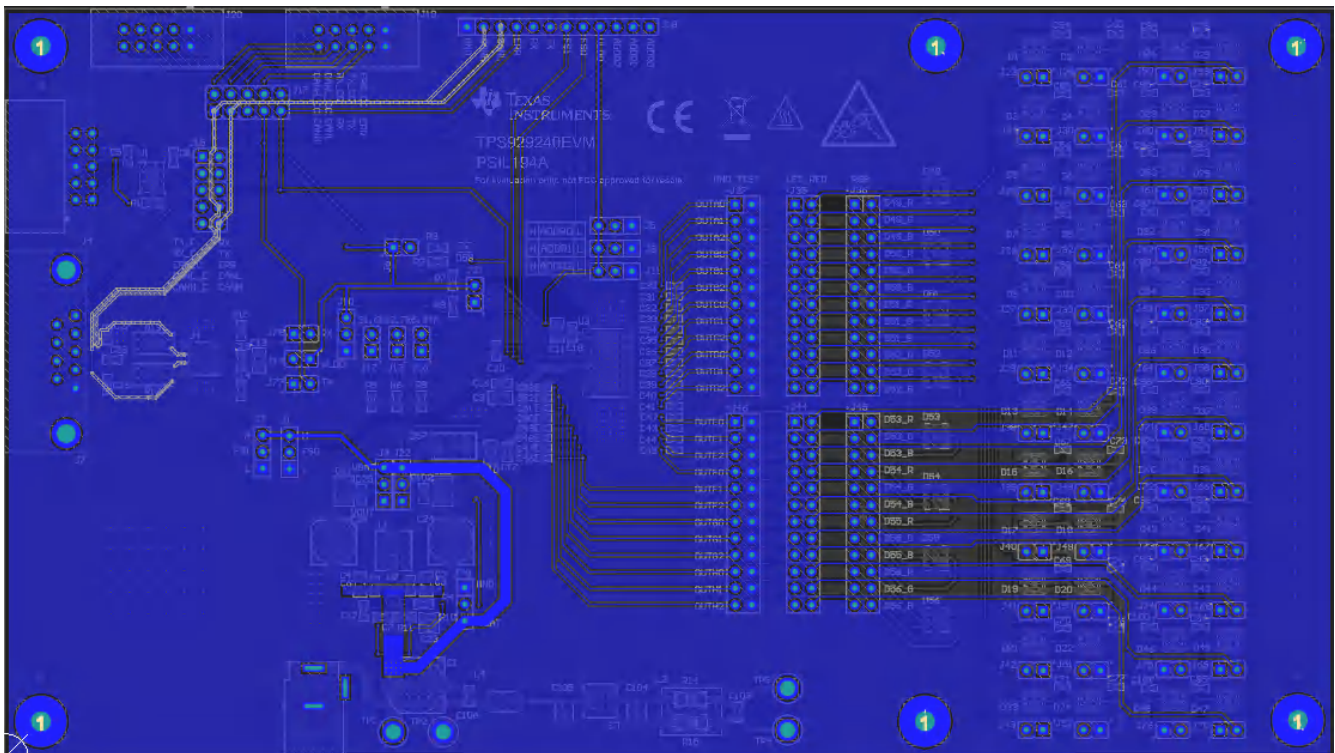


Figure 4-2. Bottom Layer Routing (Mirrored)

4.1 Schematic

Figure 4-3 is the TPS929240EVM schematic.

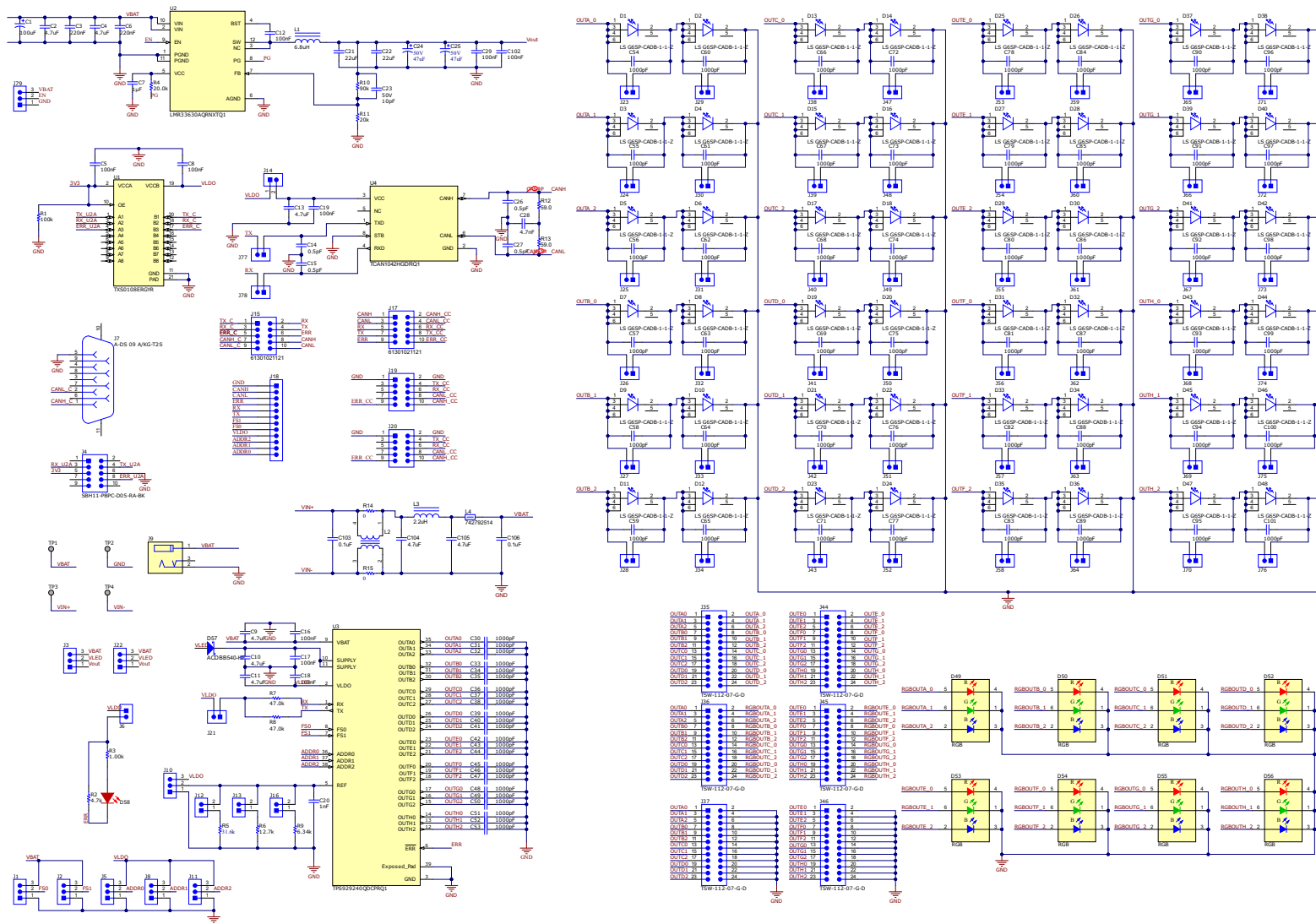


Figure 4-3. TPS929240EVM Schematic Diagram

4.2 BOM

Table 4-1 lists the TPS929240EVM BOM.

Table 4-1. Bill of Materials (BOM)

DESIGNATOR	DESCRIPTION	MANUFACTURER	PART NUMBER	QTY
C1	CAP, AL, 100 uF, 50 V, +/- 20%, SMD	Chemi-Con	EMVA500ADA101MHA0G	1
C2, C4, C9, C10, C11, C13	CAP, CERM, 4.7 uF, 50 V, +/- 10%, X5R, 0805	TDK	C2012X5R1H475K125AB	6
C3, C6	CAP, CERM, 0.22 uF, 50 V, +/- 10%, X7R, 0603	TDK	C1608X7R1H224K080AB	2
C5, C8, C12, C16, C17, C18, C19, C29, C102	CAP, CERM, 0.1 uF, 25 V, +/- 10%, X7R, 0603	AVX	06033C104KAT2A	9
C7	CAP, CERM, 1 uF, 25 V, +/- 10%, X7R, AEC-Q200 Grade 1, 0603	TDK	CGA3E1X7R1E105K080AD	1
C14, C15, C26, C27	CAP, CERM, 0.5 pF, 50 V, +/- 50%, C0G/NP0, 0603	Kemet	C0603C508C5GACTU	4
C20	CAP, CERM, 1000 pF, 50 V, +/- 5%, X7R, AEC-Q200 Grade 1, 0603	Kemet	C0603C102J5RACAUTO	1
C21, C22	CAP, CERM, 22 uF, 25 V, +/- 10%, X5R, 1210	Samsung Electro-Mechanics	CL32A226KAJNNNE	2
C23	CAP, CERM, 10 pF, 50 V, +/- 5%, C0G/NP0, 0603	MuRata	GRM1885C1H100JA01D	1
C24, C25	CAP, AL, 47 uF, 50 V, +/- 20%, 0.68 ohm, SMD	Nichicon	UUD1H470MCL1GS	2
C28	CAP, CERM, 4700 pF, 100 V, +/- 10%, X7R, AEC-Q200 Grade 1, 0603	TDK	CGA3E2X7R2A472K080AA	1
C30, C31, C32, C33, C34, C35, C36, C37, C38, C39, C40, C41, C42, C43, C44, C45, C46, C47, C48, C49, C50, C51, C52, C53, C54, C55, C56, C57, C58, C59, C60, C61, C62, C63, C64, C65, C66, C67, C68, C69, C70, C71, C72, C73, C74, C75, C76, C77, C78, C79, C80, C81, C82, C83, C84, C85, C86, C87, C88, C89, C90, C91, C92, C93, C94, C95, C96, C97, C98, C99, C100, C101	CAP, CERM, 1000 pF, 50 V, +/- 10%, X7R, AEC-Q200 Grade 1, 0402	TDK	CGA2B2X7R1H102K050BA	72
C103, C106	CAP, CERM, 0.1 uF, 16 V, +/- 10%, X7R, AEC-Q200 Grade 1, 0603	TDK	CGJ3E2X7R1C104K080AA	2
C104, C105	CAP, CERM, 4.7 uF, 50 V, +/- 20%, X7R, AEC-Q200 Grade 1, 1210	TDK	CGA6P3X7R1H475M250AB	2
D1, D2, D3, D4, D5, D6, D7, D8, D9, D10, D11, D12, D13, D14, D15, D16, D17, D18, D19, D20, D21, D22, D23, D24, D25, D26, D27, D28, D29, D30, D31, D32, D33, D34, D35, D36, D37, D38, D39, D40, D41, D42, D43, D44, D45, D46, D47, D48	LED, Super Red, SMD	OSRAM	LS G6SP-CADB-1-1-Z	48
D49, D50, D51, D52, D53, D54, D55, D56	LED, RGB, SMD	OSRAM	LRTB GVSG-UEVE-24+AMAQ-29+SCUC-HR	8
D57	Diode, Schottky, 40 V, 5 A, AEC-Q101, SMB	Comchip Technology	ACDDB540-HF	1
D58	LED, Red, SMD	OSRAM	LS R976-NR-1	1

Table 4-1. Bill of Materials (BOM) (continued)

DESIGNATOR	DESCRIPTION	MANUFACTURER	PART NUMBER	QTY
H1, H2, H3, H4, H13, H16	Machine Screw, Round, #4-40 x 1/4, Nylon, Philips panhead	B&F Fastener Supply	NY PMS 440 0025 PH	6
H5, H6, H7, H8, H12, H15	Standoff, Hex, 0.5"L #4-40 Nylon	Keystone	1902C	6
H9, H10, H11, H14	Standoff, Hex, Male/Female, 4-40, Nylon, 1/2"	Keystone	4802	4
J1, J2, J3, J5, J8, J10, J11, J22, J79	Header, 100mil, 3x1, Gold, TH	Sullins Connector Solutions	PBC03SAAN	9
J4	Header(shrouded), 2.54mm, 5x2, Gold, R/A, TH	Sullins Connector Solutions	SBH11-PBPC-D05-RA-BK	1
J6, J12, J13, J14, J16, J21, J23, J24, J25, J26, J27, J28, J29, J30, J31, J32, J33, J34, J38, J39, J40, J41, J42, J43, J47, J48, J49, J50, J51, J52, J53, J54, J55, J56, J57, J58, J59, J60, J61, J62, J63, J64, J65, J66, J67, J68, J69, J70, J71, J72, J73, J74, J75, J76, J77, J78	Header, 100mil, 2x1, Gold, TH	Sullins Connector Solutions	PBC02SAAN	56
J7	D-Sub, 2.77mm, 9 Pos, Tin, R/A, TH	Assman WSW	A-DS 09 A/KG-T2S	1
J9	WR-DC DC Power Jack, R/A, TH	Würth Elektronik	694106301002	1
J15, J17	Header, 2.54 mm, 5x2, Gold, TH	Würth Elektronik	61301021121	2
J18	Header, 100mil, 12x1, Gold, TH	Samtec	TSW-112-07-G-S	1
J19, J20	Header(shrouded), 2.54mm, 5x2, Gold, TH	Sullins Connector Solutions	SBH11-PBPC-D05-ST-BK	2
J35, J36, J37, J44, J45, J46	Header, 100mil, 12x2, Gold, TH	Samtec	TSW-112-07-G-D	6
L1	Inductor, Shielded, Ferrite, 6.8 uH, 4 A, 0.0762 ohm, SMD	Bourns	SRP5030T-6R8M	1
L2	Coupled inductor, 5 A, 0.01 ohm, SMD	TDK	ACM9070-701-2PL-TL01	1
L3	Inductor, Shielded Drum Core, Powdered Iron, 2.2 uH, 5.5 A, 0.025 ohm, SMD	Vishay-Dale	IHLP2020CZER2R2M11	1
L4	Ferrite Bead, 600 ohm @ 100 MHz, 3 A, 1812	Würth Elektronik	742792514	1
R1	RES, 100 k, 1%, 0.1 W, AEC-Q200 Grade 0, 0603	Vishay-Dale	CRCW0603100KFKEA	1
R2	RES, 4.7 k, 5%, 0.1 W, AEC-Q200 Grade 0, 0603	Panasonic	ERJ-3GEYJ472V	1
R3	RES, 1.00 k, 1%, 0.1 W, 0603	Panasonic	ERJ-3EKF1001V	1
R4	RES, 20.0 k, 1%, 0.1 W, AEC-Q200 Grade 0, 0603	Vishay-Dale	CRCW060320K0FKEA	1
R5	RES, 31.6 k, 1%, 0.1 W, 0603	Vishay-Dale	CRCW060331K6FKEA	1
R6	RES, 12.7 k, 1%, 0.1 W, AEC-Q200 Grade 0, 0603	Vishay-Dale	CRCW060312K7FKEA	1
R7, R8	RES, 47.0 k, 1%, 0.1 W, 0603	Yageo	RC0603FR-0747KL	2
R9	RES, 6.34 k, 1%, 0.1 W, 0603	Yageo	RC0603FR-076K34L	1
R10	RES, 100 k, 1%, 0.1 W, 0603	Yageo	RC0603FR-07100KL	1
R11	RES, 24.9 k, 1%, 0.1 W, 0603	Yageo	RC0603FR-0724K9L	1
R12, R13	RES, 59.0, 1%, 1 W, AEC-Q200 Grade 0, 2512	Stackpole Electronics Inc	RMCF2512FT59R0	2
R14, R15	RES, 0, 5%, 0.25 W, AEC-Q200 Grade 0, 1206	Vishay-Dale	CRCW12060000Z0EA	2

Table 4-1. Bill of Materials (BOM) (continued)

DESIGNATOR	DESCRIPTION	MANUFACTURER	PART NUMBER	QTY
SH-J1, SH-J2, SH-J3, SH-J4, SH-J5, SH-J6, SH-J7, SH-J8, SH-J9, SH-J10, SH-J11, SH- J12, SH-J13, SH-J14, SH- J15, SH-J16, SH-J17, SH- J18, SH-J19, SH-J20, SH- J21, SH-J22, SH-J23, SH- J24, SH-J25, SH-J26, SH- J27, SH-J28, SH-J29, SH- J30, SH-J31, SH-J32, SH- J33, SH-J34, SH-J35, SH- J36, SH-J37, SH-J38	Shunt, 100mil, Flash Gold, Black	Sullins Connector Solutions	SPC02SYAN	38
TP1, TP2, TP3, TP4	Terminal, Turret, TH, Double	Keystone	1502-2	4
U1	8-Bit Bidirectional Voltage-Level Shifter For Open-Drain And Push-Pull Application, RGY0020A (VQFN-20)	Texas Instruments	TXS0108ERGYR	1
U2	Automotive 3.8-V to 36-V 3-A Synchronous Step-Down Voltage Regulator, RNX0012B (VQFN-HR-12)	Texas Instruments	LMR33630AQRNXTQ1	1
U3	24-Channel Automotive 40-V High-Side (O)LED Driver	Texas Instruments	TPS929240QDCPRQ1	1
U4	Automotive Fault Protected CAN Transceiver With Flexible Data-Rate, D0008A (SOIC-8)	Texas Instruments	TCAN1042HGDRQ1	1

STANDARD TERMS FOR EVALUATION MODULES

1. *Delivery:* TI delivers TI evaluation boards, kits, or modules, including any accompanying demonstration software, components, and/or documentation which may be provided together or separately (collectively, an "EVM" or "EVMs") to the User ("User") in accordance with the terms set forth herein. User's acceptance of the EVM is expressly subject to the following terms.
 - 1.1 EVMs are intended solely for product or software developers for use in a research and development setting to facilitate feasibility evaluation, experimentation, or scientific analysis of TI semiconductors products. EVMs have no direct function and are not finished products. EVMs shall not be directly or indirectly assembled as a part or subassembly in any finished product. For clarification, any software or software tools provided with the EVM ("Software") shall not be subject to the terms and conditions set forth herein but rather shall be subject to the applicable terms that accompany such Software
 - 1.2 EVMs are not intended for consumer or household use. EVMs may not be sold, sublicensed, leased, rented, loaned, assigned, or otherwise distributed for commercial purposes by Users, in whole or in part, or used in any finished product or production system.
2. *Limited Warranty and Related Remedies/Disclaimers:*
 - 2.1 These terms do not apply to Software. The warranty, if any, for Software is covered in the applicable Software License Agreement.
 - 2.2 TI warrants that the TI EVM will conform to TI's published specifications for ninety (90) days after the date TI delivers such EVM to User. Notwithstanding the foregoing, TI shall not be liable for a nonconforming EVM if (a) the nonconformity was caused by neglect, misuse or mistreatment by an entity other than TI, including improper installation or testing, or for any EVMs that have been altered or modified in any way by an entity other than TI, (b) the nonconformity resulted from User's design, specifications or instructions for such EVMs or improper system design, or (c) User has not paid on time. Testing and other quality control techniques are used to the extent TI deems necessary. TI does not test all parameters of each EVM. User's claims against TI under this Section 2 are void if User fails to notify TI of any apparent defects in the EVMs within ten (10) business days after delivery, or of any hidden defects with ten (10) business days after the defect has been detected.
 - 2.3 TI's sole liability shall be at its option to repair or replace EVMs that fail to conform to the warranty set forth above, or credit User's account for such EVM. TI's liability under this warranty shall be limited to EVMs that are returned during the warranty period to the address designated by TI and that are determined by TI not to conform to such warranty. If TI elects to repair or replace such EVM, TI shall have a reasonable time to repair such EVM or provide replacements. Repaired EVMs shall be warranted for the remainder of the original warranty period. Replaced EVMs shall be warranted for a new full ninety (90) day warranty period.

WARNING

Evaluation Kits are intended solely for use by technically qualified, professional electronics experts who are familiar with the dangers and application risks associated with handling electrical mechanical components, systems, and subsystems.

User shall operate the Evaluation Kit within TI's recommended guidelines and any applicable legal or environmental requirements as well as reasonable and customary safeguards. Failure to set up and/or operate the Evaluation Kit within TI's recommended guidelines may result in personal injury or death or property damage. Proper set up entails following TI's instructions for electrical ratings of interface circuits such as input, output and electrical loads.

NOTE:

EXPOSURE TO ELECTROSTATIC DISCHARGE (ESD) MAY CAUSE DEGRADATION OR FAILURE OF THE EVALUATION KIT; TI RECOMMENDS STORAGE OF THE EVALUATION KIT IN A PROTECTIVE ESD BAG.

3 Regulatory Notices:

3.1 United States

3.1.1 Notice applicable to EVMs not FCC-Approved:

FCC NOTICE: This kit is designed to allow product developers to evaluate electronic components, circuitry, or software associated with the kit to determine whether to incorporate such items in a finished product and software developers to write software applications for use with the end product. This kit is not a finished product and when assembled may not be resold or otherwise marketed unless all required FCC equipment authorizations are first obtained. Operation is subject to the condition that this product not cause harmful interference to licensed radio stations and that this product accept harmful interference. Unless the assembled kit is designed to operate under part 15, part 18 or part 95 of this chapter, the operator of the kit must operate under the authority of an FCC license holder or must secure an experimental authorization under part 5 of this chapter.

3.1.2 For EVMs annotated as FCC – FEDERAL COMMUNICATIONS COMMISSION Part 15 Compliant:

CAUTION

This device complies with part 15 of the FCC Rules. Operation is subject to the following two conditions: (1) This device may not cause harmful interference, and (2) this device must accept any interference received, including interference that may cause undesired operation.

Changes or modifications not expressly approved by the party responsible for compliance could void the user's authority to operate the equipment.

FCC Interference Statement for Class A EVM devices

NOTE: This equipment has been tested and found to comply with the limits for a Class A digital device, pursuant to part 15 of the FCC Rules. These limits are designed to provide reasonable protection against harmful interference when the equipment is operated in a commercial environment. This equipment generates, uses, and can radiate radio frequency energy and, if not installed and used in accordance with the instruction manual, may cause harmful interference to radio communications. Operation of this equipment in a residential area is likely to cause harmful interference in which case the user will be required to correct the interference at his own expense.

FCC Interference Statement for Class B EVM devices

NOTE: This equipment has been tested and found to comply with the limits for a Class B digital device, pursuant to part 15 of the FCC Rules. These limits are designed to provide reasonable protection against harmful interference in a residential installation. This equipment generates, uses and can radiate radio frequency energy and, if not installed and used in accordance with the instructions, may cause harmful interference to radio communications. However, there is no guarantee that interference will not occur in a particular installation. If this equipment does cause harmful interference to radio or television reception, which can be determined by turning the equipment off and on, the user is encouraged to try to correct the interference by one or more of the following measures:

- Reorient or relocate the receiving antenna.
- Increase the separation between the equipment and receiver.
- Connect the equipment into an outlet on a circuit different from that to which the receiver is connected.
- Consult the dealer or an experienced radio/TV technician for help.

3.2 Canada

3.2.1 For EVMs issued with an Industry Canada Certificate of Conformance to RSS-210 or RSS-247

Concerning EVMs Including Radio Transmitters:

This device complies with Industry Canada license-exempt RSSs. Operation is subject to the following two conditions:

(1) this device may not cause interference, and (2) this device must accept any interference, including interference that may cause undesired operation of the device.

Concernant les EVMs avec appareils radio:

Le présent appareil est conforme aux CNR d'Industrie Canada applicables aux appareils radio exempts de licence. L'exploitation est autorisée aux deux conditions suivantes: (1) l'appareil ne doit pas produire de brouillage, et (2) l'utilisateur de l'appareil doit accepter tout brouillage radioélectrique subi, même si le brouillage est susceptible d'en compromettre le fonctionnement.

Concerning EVMs Including Detachable Antennas:

Under Industry Canada regulations, this radio transmitter may only operate using an antenna of a type and maximum (or lesser) gain approved for the transmitter by Industry Canada. To reduce potential radio interference to other users, the antenna type and its gain should be so chosen that the equivalent isotropically radiated power (e.i.r.p.) is not more than that necessary for successful communication. This radio transmitter has been approved by Industry Canada to operate with the antenna types listed in the user guide with the maximum permissible gain and required antenna impedance for each antenna type indicated. Antenna types not included in this list, having a gain greater than the maximum gain indicated for that type, are strictly prohibited for use with this device.

Concernant les EVMs avec antennes détachables

Conformément à la réglementation d'Industrie Canada, le présent émetteur radio peut fonctionner avec une antenne d'un type et d'un gain maximal (ou inférieur) approuvé pour l'émetteur par Industrie Canada. Dans le but de réduire les risques de brouillage radioélectrique à l'intention des autres utilisateurs, il faut choisir le type d'antenne et son gain de sorte que la puissance isotrope rayonnée équivalente (p.i.r.e.) ne dépasse pas l'intensité nécessaire à l'établissement d'une communication satisfaisante. Le présent émetteur radio a été approuvé par Industrie Canada pour fonctionner avec les types d'antenne énumérés dans le manuel d'usage et ayant un gain admissible maximal et l'impédance requise pour chaque type d'antenne. Les types d'antenne non inclus dans cette liste, ou dont le gain est supérieur au gain maximal indiqué, sont strictement interdits pour l'exploitation de l'émetteur.

3.3 Japan

3.3.1 *Notice for EVMs delivered in Japan:* Please see http://www.tij.co.jp/lstds/ti_ja/general/eStore/notice_01.page 日本国内に輸入される評価用キット、ボードについては、次のところをご覧ください。
http://www.tij.co.jp/lstds/ti_ja/general/eStore/notice_01.page

3.3.2 *Notice for Users of EVMs Considered "Radio Frequency Products" in Japan:* EVMs entering Japan may not be certified by TI as conforming to Technical Regulations of Radio Law of Japan.

If User uses EVMs in Japan, not certified to Technical Regulations of Radio Law of Japan, User is required to follow the instructions set forth by Radio Law of Japan, which includes, but is not limited to, the instructions below with respect to EVMs (which for the avoidance of doubt are stated strictly for convenience and should be verified by User):

1. Use EVMs in a shielded room or any other test facility as defined in the notification #173 issued by Ministry of Internal Affairs and Communications on March 28, 2006, based on Sub-section 1.1 of Article 6 of the Ministry's Rule for Enforcement of Radio Law of Japan,
2. Use EVMs only after User obtains the license of Test Radio Station as provided in Radio Law of Japan with respect to EVMs, or
3. Use of EVMs only after User obtains the Technical Regulations Conformity Certification as provided in Radio Law of Japan with respect to EVMs. Also, do not transfer EVMs, unless User gives the same notice above to the transferee. Please note that if User does not follow the instructions above, User will be subject to penalties of Radio Law of Japan.

【無線電波を送信する製品の開発キットをお使いになる際の注意事項】 開発キットの中には技術基準適合証明を受けていないものがあります。技術適合証明を受けていないものご使用に際しては、電波法遵守のため、以下のいずれかの措置を取っていただく必要がありますのでご注意ください。

1. 電波法施行規則第6条第1項第1号に基づく平成18年3月28日総務省告示第173号で定められた電波暗室等の試験設備でご使用いただく。
2. 実験局の免許を取得後ご使用いただく。
3. 技術基準適合証明を取得後ご使用いただく。

なお、本製品は、上記の「ご使用にあたっての注意」を譲渡先、移転先に通知しない限り、譲渡、移転できないものとします。

上記を遵守頂けない場合は、電波法の罰則が適用される可能性があることをご留意ください。日本テキサス・インスツルメンツ株式会社
東京都新宿区西新宿 6 丁目 2 4 番 1 号
西新宿三井ビル

3.3.3 *Notice for EVMs for Power Line Communication:* Please see http://www.tij.co.jp/lstds/ti_ja/general/eStore/notice_02.page
電力線搬送波通信についての開発キットをお使いになる際の注意事項については、次のところをご覧ください。http://www.tij.co.jp/lstds/ti_ja/general/eStore/notice_02.page

3.4 European Union

3.4.1 *For EVMs subject to EU Directive 2014/30/EU (Electromagnetic Compatibility Directive):*

This is a class A product intended for use in environments other than domestic environments that are connected to a low-voltage power-supply network that supplies buildings used for domestic purposes. In a domestic environment this product may cause radio interference in which case the user may be required to take adequate measures.

-
4. *EVM Use Restrictions and Warnings:*
 - 4.1 EVMS ARE NOT FOR USE IN FUNCTIONAL SAFETY AND/OR SAFETY CRITICAL EVALUATIONS, INCLUDING BUT NOT LIMITED TO EVALUATIONS OF LIFE SUPPORT APPLICATIONS.
 - 4.2 User must read and apply the user guide and other available documentation provided by TI regarding the EVM prior to handling or using the EVM, including without limitation any warning or restriction notices. The notices contain important safety information related to, for example, temperatures and voltages.
 - 4.3 *Safety-Related Warnings and Restrictions:*
 - 4.3.1 User shall operate the EVM within TI's recommended specifications and environmental considerations stated in the user guide, other available documentation provided by TI, and any other applicable requirements and employ reasonable and customary safeguards. Exceeding the specified performance ratings and specifications (including but not limited to input and output voltage, current, power, and environmental ranges) for the EVM may cause personal injury or death, or property damage. If there are questions concerning performance ratings and specifications, User should contact a TI field representative prior to connecting interface electronics including input power and intended loads. Any loads applied outside of the specified output range may also result in unintended and/or inaccurate operation and/or possible permanent damage to the EVM and/or interface electronics. Please consult the EVM user guide prior to connecting any load to the EVM output. If there is uncertainty as to the load specification, please contact a TI field representative. During normal operation, even with the inputs and outputs kept within the specified allowable ranges, some circuit components may have elevated case temperatures. These components include but are not limited to linear regulators, switching transistors, pass transistors, current sense resistors, and heat sinks, which can be identified using the information in the associated documentation. When working with the EVM, please be aware that the EVM may become very warm.
 - 4.3.2 EVMs are intended solely for use by technically qualified, professional electronics experts who are familiar with the dangers and application risks associated with handling electrical mechanical components, systems, and subsystems. User assumes all responsibility and liability for proper and safe handling and use of the EVM by User or its employees, affiliates, contractors or designees. User assumes all responsibility and liability to ensure that any interfaces (electronic and/or mechanical) between the EVM and any human body are designed with suitable isolation and means to safely limit accessible leakage currents to minimize the risk of electrical shock hazard. User assumes all responsibility and liability for any improper or unsafe handling or use of the EVM by User or its employees, affiliates, contractors or designees.
 - 4.4 User assumes all responsibility and liability to determine whether the EVM is subject to any applicable international, federal, state, or local laws and regulations related to User's handling and use of the EVM and, if applicable, User assumes all responsibility and liability for compliance in all respects with such laws and regulations. User assumes all responsibility and liability for proper disposal and recycling of the EVM consistent with all applicable international, federal, state, and local requirements.
 5. *Accuracy of Information:* To the extent TI provides information on the availability and function of EVMs, TI attempts to be as accurate as possible. However, TI does not warrant the accuracy of EVM descriptions, EVM availability or other information on its websites as accurate, complete, reliable, current, or error-free.
 6. *Disclaimers:*
 - 6.1 EXCEPT AS SET FORTH ABOVE, EVMS AND ANY MATERIALS PROVIDED WITH THE EVM (INCLUDING, BUT NOT LIMITED TO, REFERENCE DESIGNS AND THE DESIGN OF THE EVM ITSELF) ARE PROVIDED "AS IS" AND "WITH ALL FAULTS." TI DISCLAIMS ALL OTHER WARRANTIES, EXPRESS OR IMPLIED, REGARDING SUCH ITEMS, INCLUDING BUT NOT LIMITED TO ANY EPIDEMIC FAILURE WARRANTY OR IMPLIED WARRANTIES OF MERCHANTABILITY OR FITNESS FOR A PARTICULAR PURPOSE OR NON-INFRINGEMENT OF ANY THIRD PARTY PATENTS, COPYRIGHTS, TRADE SECRETS OR OTHER INTELLECTUAL PROPERTY RIGHTS.
 - 6.2 EXCEPT FOR THE LIMITED RIGHT TO USE THE EVM SET FORTH HEREIN, NOTHING IN THESE TERMS SHALL BE CONSTRUED AS GRANTING OR CONFERRING ANY RIGHTS BY LICENSE, PATENT, OR ANY OTHER INDUSTRIAL OR INTELLECTUAL PROPERTY RIGHT OF TI, ITS SUPPLIERS/LICENSORS OR ANY OTHER THIRD PARTY, TO USE THE EVM IN ANY FINISHED END-USER OR READY-TO-USE FINAL PRODUCT, OR FOR ANY INVENTION, DISCOVERY OR IMPROVEMENT, REGARDLESS OF WHEN MADE, CONCEIVED OR ACQUIRED.
 7. *USER'S INDEMNITY OBLIGATIONS AND REPRESENTATIONS.* USER WILL DEFEND, INDEMNIFY AND HOLD TI, ITS LICENSORS AND THEIR REPRESENTATIVES HARMLESS FROM AND AGAINST ANY AND ALL CLAIMS, DAMAGES, LOSSES, EXPENSES, COSTS AND LIABILITIES (COLLECTIVELY, "CLAIMS") ARISING OUT OF OR IN CONNECTION WITH ANY HANDLING OR USE OF THE EVM THAT IS NOT IN ACCORDANCE WITH THESE TERMS. THIS OBLIGATION SHALL APPLY WHETHER CLAIMS ARISE UNDER STATUTE, REGULATION, OR THE LAW OF TORT, CONTRACT OR ANY OTHER LEGAL THEORY, AND EVEN IF THE EVM FAILS TO PERFORM AS DESCRIBED OR EXPECTED.
-

8. *Limitations on Damages and Liability:*

8.1 *General Limitations.* IN NO EVENT SHALL TI BE LIABLE FOR ANY SPECIAL, COLLATERAL, INDIRECT, PUNITIVE, INCIDENTAL, CONSEQUENTIAL, OR EXEMPLARY DAMAGES IN CONNECTION WITH OR ARISING OUT OF THESE TERMS OR THE USE OF THE EVMS , REGARDLESS OF WHETHER TI HAS BEEN ADVISED OF THE POSSIBILITY OF SUCH DAMAGES. EXCLUDED DAMAGES INCLUDE, BUT ARE NOT LIMITED TO, COST OF REMOVAL OR REINSTALLATION, ANCILLARY COSTS TO THE PROCUREMENT OF SUBSTITUTE GOODS OR SERVICES, RETESTING, OUTSIDE COMPUTER TIME, LABOR COSTS, LOSS OF GOODWILL, LOSS OF PROFITS, LOSS OF SAVINGS, LOSS OF USE, LOSS OF DATA, OR BUSINESS INTERRUPTION. NO CLAIM, SUIT OR ACTION SHALL BE BROUGHT AGAINST TI MORE THAN TWELVE (12) MONTHS AFTER THE EVENT THAT GAVE RISE TO THE CAUSE OF ACTION HAS OCCURRED.

8.2 *Specific Limitations.* IN NO EVENT SHALL TI'S AGGREGATE LIABILITY FROM ANY USE OF AN EVM PROVIDED HEREUNDER, INCLUDING FROM ANY WARRANTY, INDEMNITY OR OTHER OBLIGATION ARISING OUT OF OR IN CONNECTION WITH THESE TERMS, , EXCEED THE TOTAL AMOUNT PAID TO TI BY USER FOR THE PARTICULAR EVM(S) AT ISSUE DURING THE PRIOR TWELVE (12) MONTHS WITH RESPECT TO WHICH LOSSES OR DAMAGES ARE CLAIMED. THE EXISTENCE OF MORE THAN ONE CLAIM SHALL NOT ENLARGE OR EXTEND THIS LIMIT.

9. *Return Policy.* Except as otherwise provided, TI does not offer any refunds, returns, or exchanges. Furthermore, no return of EVM(s) will be accepted if the package has been opened and no return of the EVM(s) will be accepted if they are damaged or otherwise not in a resalable condition. If User feels it has been incorrectly charged for the EVM(s) it ordered or that delivery violates the applicable order, User should contact TI. All refunds will be made in full within thirty (30) working days from the return of the components(s), excluding any postage or packaging costs.

10. *Governing Law:* These terms and conditions shall be governed by and interpreted in accordance with the laws of the State of Texas, without reference to conflict-of-laws principles. User agrees that non-exclusive jurisdiction for any dispute arising out of or relating to these terms and conditions lies within courts located in the State of Texas and consents to venue in Dallas County, Texas. Notwithstanding the foregoing, any judgment may be enforced in any United States or foreign court, and TI may seek injunctive relief in any United States or foreign court.

Mailing Address: Texas Instruments, Post Office Box 655303, Dallas, Texas 75265
Copyright © 2019, Texas Instruments Incorporated

IMPORTANT NOTICE AND DISCLAIMER

TI PROVIDES TECHNICAL AND RELIABILITY DATA (INCLUDING DATA SHEETS), DESIGN RESOURCES (INCLUDING REFERENCE DESIGNS), APPLICATION OR OTHER DESIGN ADVICE, WEB TOOLS, SAFETY INFORMATION, AND OTHER RESOURCES "AS IS" AND WITH ALL FAULTS, AND DISCLAIMS ALL WARRANTIES, EXPRESS AND IMPLIED, INCLUDING WITHOUT LIMITATION ANY IMPLIED WARRANTIES OF MERCHANTABILITY, FITNESS FOR A PARTICULAR PURPOSE OR NON-INFRINGEMENT OF THIRD PARTY INTELLECTUAL PROPERTY RIGHTS.

These resources are intended for skilled developers designing with TI products. You are solely responsible for (1) selecting the appropriate TI products for your application, (2) designing, validating and testing your application, and (3) ensuring your application meets applicable standards, and any other safety, security, regulatory or other requirements.

These resources are subject to change without notice. TI grants you permission to use these resources only for development of an application that uses the TI products described in the resource. Other reproduction and display of these resources is prohibited. No license is granted to any other TI intellectual property right or to any third party intellectual property right. TI disclaims responsibility for, and you will fully indemnify TI and its representatives against, any claims, damages, costs, losses, and liabilities arising out of your use of these resources.

TI's products are provided subject to [TI's Terms of Sale](#) or other applicable terms available either on ti.com or provided in conjunction with such TI products. TI's provision of these resources does not expand or otherwise alter TI's applicable warranties or warranty disclaimers for TI products.

TI objects to and rejects any additional or different terms you may have proposed.

Mailing Address: Texas Instruments, Post Office Box 655303, Dallas, Texas 75265
Copyright © 2022, Texas Instruments Incorporated