

AN-1965 LM25011 Evaluation Board

1 Introduction

The LM25011EVAL evaluation board provides the design engineer with a fully functional buck regulator, employing the constant on-time (COT) operating principle. This evaluation board provides a 5V output over an input range of 8V to 42V. The circuit delivers load currents to 1.5A, with current limit set at a nominal 1.75A.

The board's specification are:

- Input Voltage: 8V to 42V
- Output Voltage: 5.02V
- Maximum load current: 1.5A
- Minimum load current: 0A
- Current Limit: $\approx 1.75A$
- Measured Efficiency: 94.1% ($V_{IN} = 8V$, $I_{OUT} = 300\text{ mA}$)
- Nominal Switching Frequency: 750 kHz
- Size: 2.6 in. x 1.6 in.

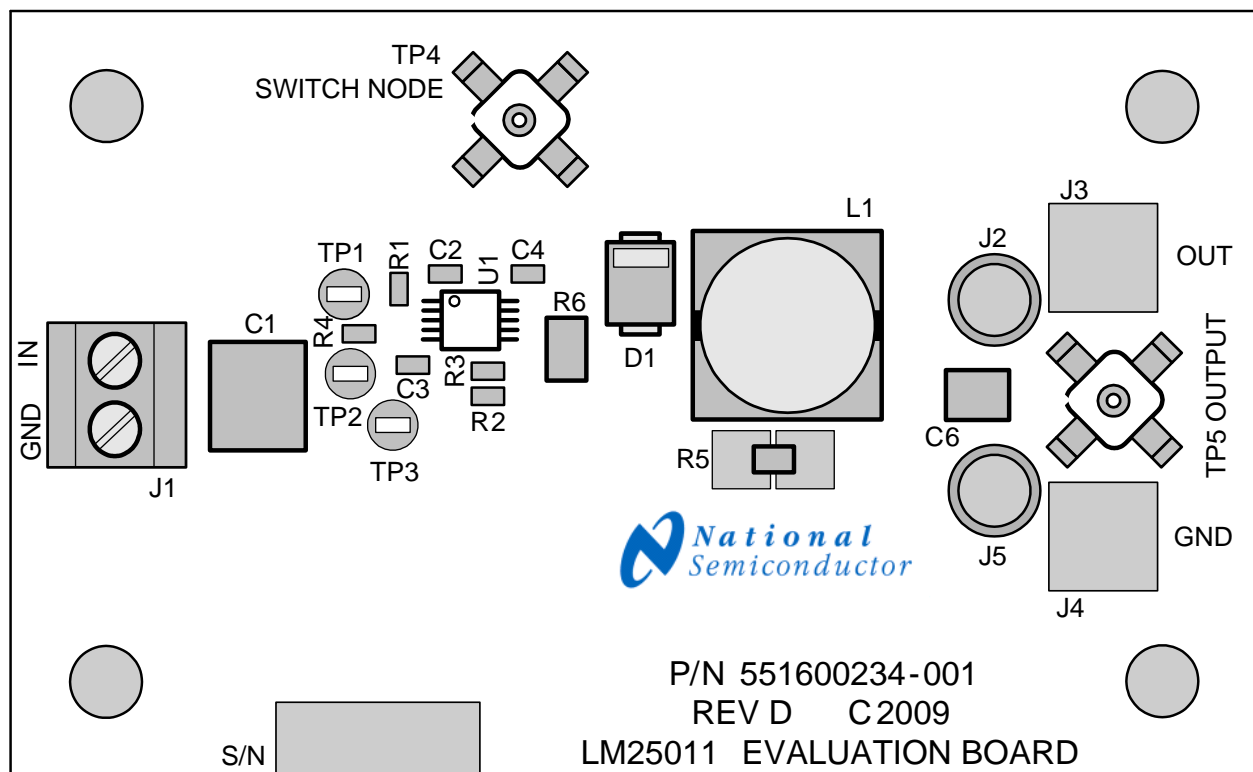


Figure 1. Evaluation Board - Top Side

All trademarks are the property of their respective owners.

2 Theory of Operation

Refer to the evaluation board schematic in [Figure 4](#), which contains a simplified block diagram of the LM25011. When the circuit is in regulation, the buck switch is on each cycle for a time determined by R1 and VIN according to the equation:

$$t_{ON} = \frac{4.1 \times 10^{-11} \times (R1 + 500\Omega)}{V_{IN} - 0.6V} + 15 \text{ ns} \quad (1)$$

The on-time of this evaluation board ranges from ≈ 893 ns at VIN = 8V, to ≈ 172 ns at VIN = 42V. The on-time varies inversely with VIN to maintain a nearly constant switching frequency. At the end of each on-time the Minimum Off-Timer ensures the buck switch is off for at least 150 ns. In normal operation, the off-time is much longer. During the off-time, the load current is supplied by the output capacitor (C6). When the output voltage falls sufficiently that the voltage at FB is below 2.51V, the regulation comparator initiates a new on-time period. The current limit threshold, is ≈ 1.75 A. Refer to the [LM25011/11Q/11A/11AQ 42V, 2A Constant On-Time Switching Regulator with Adjustable Current Limit \(SNVS617\)](#) data sheet for a more detailed block diagram, and a complete description of the various functional blocks.

3 Board Layout and Probing

The pictorial in [Figure 1](#) shows the placement of the circuit components. The following should be kept in mind when the board is powered:

- When operating at high input voltage and high load current, forced air flow may be necessary.
- The LM25011, and diode D1 may be hot to the touch when operating at high input voltage and high load current.
- Use CAUTION when probing the circuit at high input voltages to prevent injury, as well as possible damage to the circuit.
- At maximum load current the wire size and length used to connect the load becomes important. Ensure there is not a significant drop in the wires between this evaluation board and the load.

4 Board Connection/Start-up

The input connections are made to the J1 connector. The load is connected to the OUT and GND terminals (J2 through J5). Ensure the wires are adequately sized for the intended load current. Before start-up a voltmeter should be connected to the input terminals, and to the output terminals (J2 through J5). The load current should be monitored with an ammeter or a current probe. It is recommended that the input voltage be increased gradually to 8V, at which time the output voltage should be 5V. If the output voltage is correct with 8V at VIN, then increase the input voltage as desired and proceed with evaluating the circuit. DO NOT EXCEED 45V AT VIN.

5 Current Limit

Current limit detection occurs during the off-time by monitoring the voltage across the external current sense resistor R6. Referring to [Figure 4](#), during the off-time the recirculating current flows through the inductor, through the load, through the sense resistor, and through D1 to the inductor. If the voltage across the sense resistor exceeds the threshold the current limit comparator output switches to delay the start of the next on-time period. The next on-time starts when the recirculating current decreases such that the voltage across R6 reduces to the threshold and the voltage at FB is below 2.51V. The operating frequency is typically lower due to longer-than-normal off-times. When current limit is detected, the on-time is reduced by $\approx 40\%$ if the voltage at the FB pin is below its threshold when the voltage across R6 reduces to its threshold (VOUT is low due to current limiting). The current limit threshold (the valley of the inductor's current waveform) in this evaluation board is set at 1.73A by using a 75 mohm sense resistor. The load current, at current limit detection, is that threshold plus one half the inductor's ripple current, which ranges from 177 mAp-p (at VIN = 8V) to 424 mAp-p (at VIN = 42V). See [Figure 2](#).

The current limit threshold can be changed by replacing the sense resistor (R6) using the equation:

$$R6 = \frac{130 \text{ mV}}{I_{LIM}} \quad (2)$$

where I_{LIM} is the desired current limit threshold. The minimum and maximum values listed in the datasheet for the current limit threshold voltage (V_{ILIM}) should be taken into account to ensure current limit detection does not occur at less than the maximum normal load current. The maximum normal load current must not exceed 2A. If the sense resistor value is changed, check that there is sufficient ripple voltage across it, as described in the [Section 6](#) section.

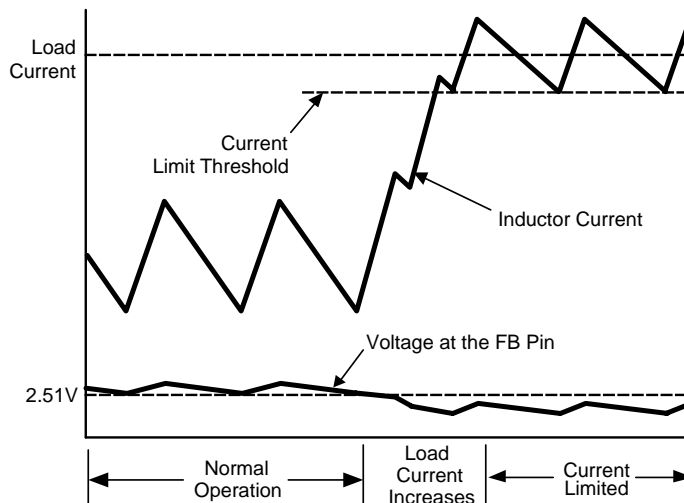


Figure 2. Normal and Current Limit Operation

6 Ripple Requirements

The LM25011 requires a minimum of 10 mVp-p ripple voltage at the CS pin. That ripple voltage is generated by the decreasing recirculating current (the inductor's ripple current) through R6 during the off-time. See [Figure 3](#).

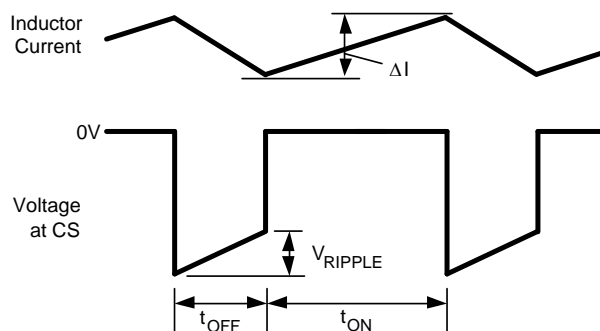


Figure 3. Ripple Voltage

The ripple voltage is equal to:

$$V_{RIPPLE} = \Delta I \times R6 \quad (3)$$

where ΔI is the inductor current ripple amplitude, and R6 is the current sense resistor at the CS pin. In this evaluation board the inductor's minimum ripple current is 177 mAp-p and R6 is 75 mohms, resulting in 13.3 mV for V_{RIPPLE} . If the sense resistor value is changed in order to obtain a new current limit threshold, check that sufficient ripple voltage exists at the CS pin using the above equation. If the calculation results in less than 10 mV, the inductor value must be reduced, or the switching frequency reduced (by increasing R1), in order to increase the ripple current (ΔI). The inductor's ripple current amplitude can be calculated from the following equation:

$$\Delta I = \frac{(V_{IN} - V_{OUT}) \times t_{ON}}{L1} \quad (4)$$

where t_{ON} is the on-time, and L1 is the inductor value. The minimum ripple current amplitude occurs at the minimum input voltage. Alternately, the ripple current can be viewed on a scope by replacing R5 with a wire loop suitable for a scope's current probe.

7 Power Good Output

The Power Good output (PGD pin) indicates when the voltage at the FB pin is close to the internal 2.51V reference voltage. The rising threshold at the FB pin for the PGD output to switch high is 95% of the internal reference. The falling threshold for the PGD output to switch low is approximately 3.3% below the rising threshold. See [Figure 14](#). To use the PGD output on this evaluation board an external pull-up voltage, not exceeding 7V, must be applied to TP1. The Power Good status is then available at TP2. A 10 k Ω pull-up resistor (R4) is provided on the board.

8 Soft-Start

The soft-start feature allows the converter to gradually reach a steady state operating point, thereby reducing startup stresses and current surges. Upon turn-on, when V_{IN} reaches its under-voltage lock-out threshold an internal 10 μ A current source charges the external capacitor at the SS pin to 2.51V. The ramping voltage at SS ramps the non-inverting input of the regulation comparator, and the output voltage, in a controlled manner. See [Figure 12](#) and [Figure 13](#). For proper operation, the soft-start capacitor should be no smaller than 1000 pF.

On this evaluation board the soft-start time is ≈ 5 ms, set by C3. To change the soft-start time replace C3, using the following equation:

$$C3 = \frac{t_{SS} \times (10 \mu\text{A})}{2.51\text{V}} = t_{SS} \times 3.98 \times 10^{-6} \quad (5)$$

An internal switch grounds the SS pin if the input voltage at VIN is below its under-voltage lock-out threshold or if the Thermal Shutdown activates.

9 Shutdown Function

The LM25011 can be remotely shutdown by grounding the SS pin, accessible at TP3 on this evaluation board. Releasing the pin allows normal operation to resume.

10 Tracking Function

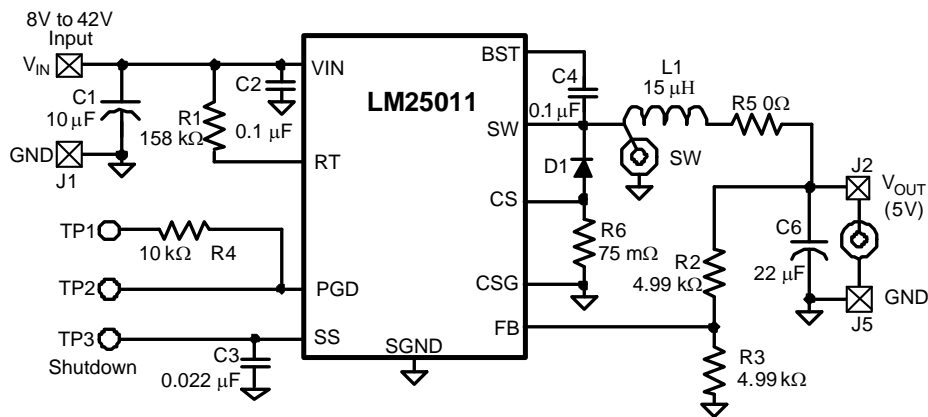
The LM25011 can be employed as a tracking regulator by applying the controlling voltage to the SS pin, accessible on this evaluation board at TP3. The regulator's output voltage tracks the applied voltage, gained up by the ratio of the feedback resistors. The applied voltage at the SS pin must be within the range of 0.5V to 2.6V. The absolute maximum rating for the SS pin is 3.0V. The tracking voltage applied to the SS pin must be current limited to a maximum of 1 mA.

11 Monitor The Inductor Current

The inductor's current can be monitored or viewed on a scope with a current probe. Remove R5, and install an appropriate current loop across the two large pads where R5 was located. In this way the inductor's ripple current and peak current can be accurately determined.

12 Scope Probe Adapters

Scope probe adapters are provided on this evaluation board for monitoring the waveform at the SW pin, and at the circuit's output (V_{OUT}), without using the probe's ground lead which can pick up noise from the switching waveforms. The probe adapters are suitable for Tektronix P6137 or similar probes, with a 0.135" diameter.


Figure 4. Complete Evaluation Board Schematic
Table 1. Bill of Materials

Item	Description	Mfg., Part Number	Package	Value
C1	Ceramic Capacitor	TDK C5750X7R1H106K	2220	10 µF, 50V
C2	Ceramic Capacitor	TDK C1608X7R1H104K	0603	0.1 µF, 50V
C3	Ceramic Capacitor	TDK C1608X7R1H223K	0603	0.022 µF, 50V
C4	Ceramic Capacitor	TDK C1608X7R1H104K	0603	0.1 µF, 50V
C6	Ceramic Capacitor	TDK C3225X7R1C226K	1210	22 µF, 16V
D1	Schottky Diode	Central Semi CMSH3-60M	SMB	60V, 3A
L1	Power Inductor	TDK SLF10145T-150M2R2	10 mm x 10 mm	15 µH, 2A
R1	Resistor	Vishay CRCW0603158KFKTA	0603	158 kΩ
R2	Resistor	Vishay CRCW06034K99FKTA	0603	4.99 kΩ
R3	Resistor	Vishay CRCW06034K99FKTA	0603	4.99 kΩ
R4	Resistor	Vishay CRCW060310K0FKTA	0603	10 kΩ
R5	Resistor	Vishay CRCW08050000Z0	0805	0Ω Jumper
R6	Resistor	Rohm MCR18EZHF5R075 or Panasonic ERJ-LO8UF75MV	1206	75 mohm
U1	Switching Regulator	Texas Instruments LM25011	VSSOP	

13 Circuit Performance

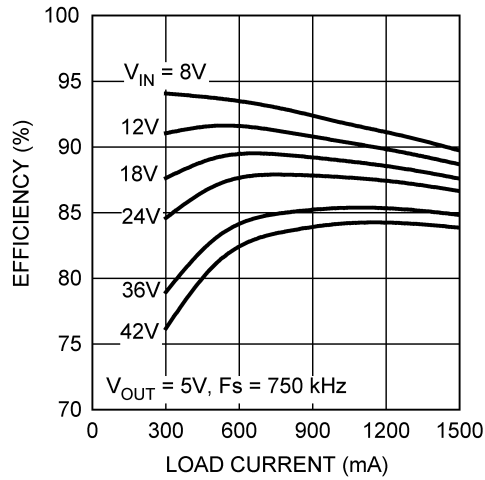


Figure 5. Efficiency vs Load Current

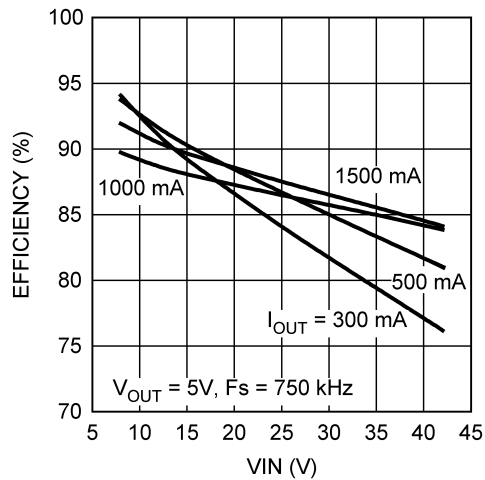


Figure 6. Efficiency vs Input Voltage

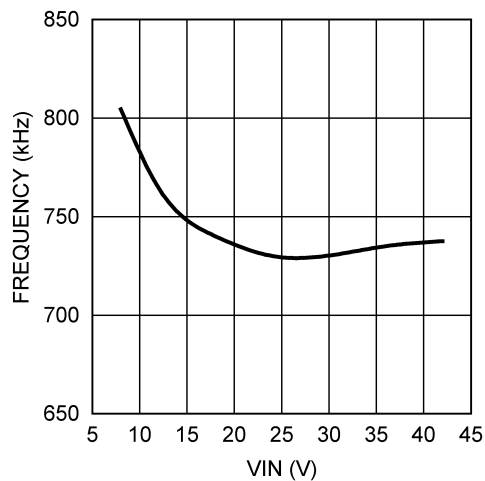


Figure 7. Switching Frequency vs. Input Voltage

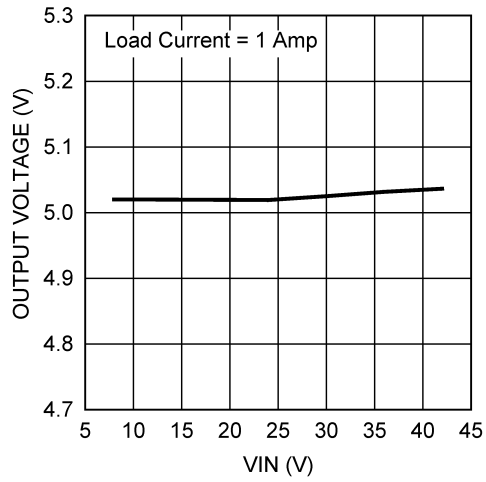


Figure 8. Line Regulation

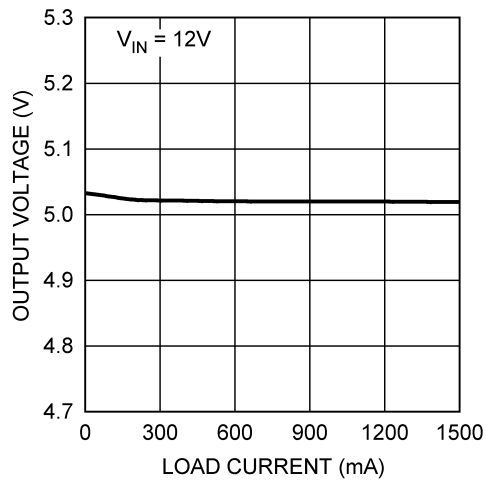
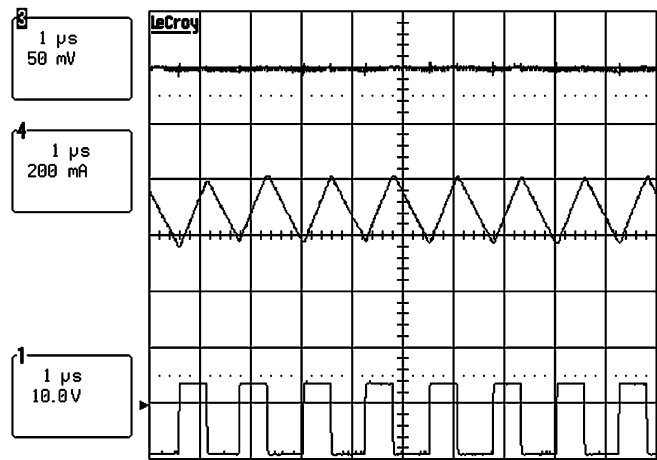


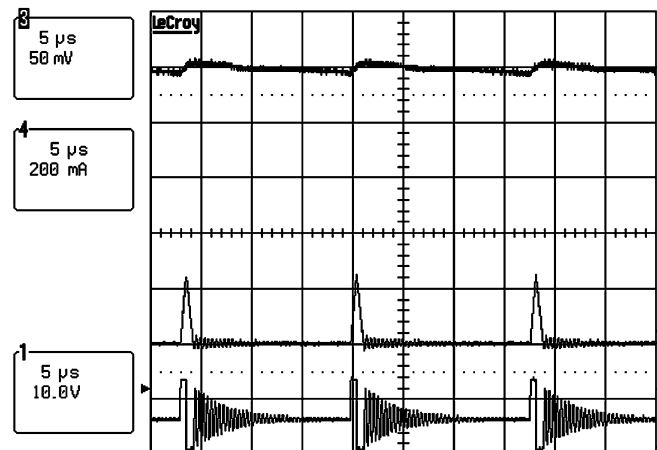
Figure 9. Load Regulation

14 Typical Waveforms



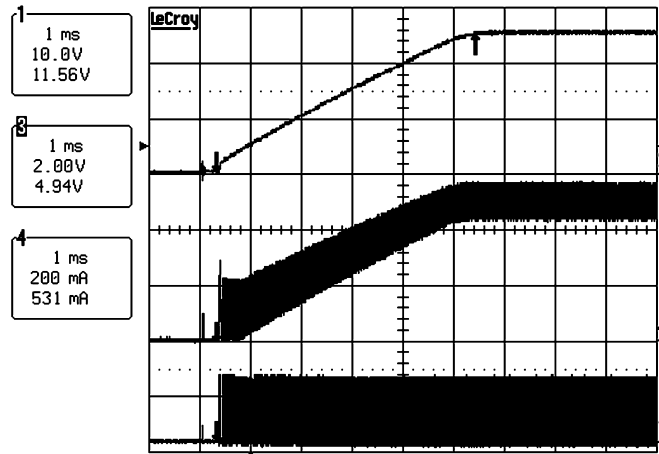
Trace 3 = V_{OUT} (AC Coupled)
 Trace 4 = Inductor Current
 Trace 1 = SW Node
 $V_{in} = 12V$, $I_{out} = 500\text{ mA}$

Figure 10. Continuous Conduction Mode



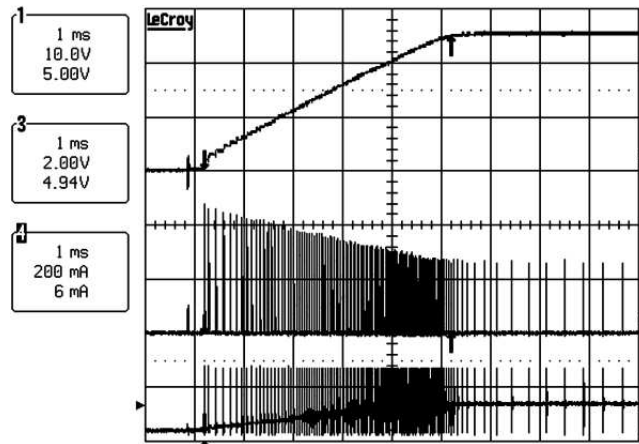
Trace 3 = V_{OUT} (AC Coupled)
 Trace 4 = inductor Current
 Trace 1 = SW Node
 $V_{in} = 12V$, $I_{out} = 10\text{ mA}$

Figure 11. Discontinuous Conduction Mode



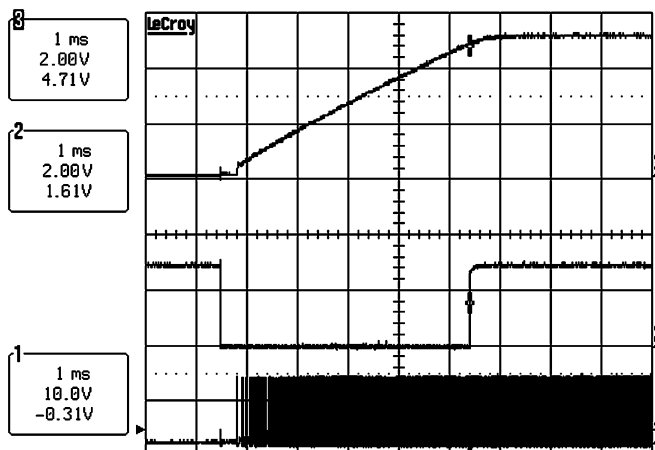
Trace 3 = V_{OUT}
 Trace 4 = Inductor Current
 Trace 1 = SW Node
 $V_{in} = 12V$, $I_{out} = 500\text{ mA}$

Figure 12. Startup Waveforms with 500 mA Load



Trace 3 = V_{OUT}
 Trace 4 = Inductor Current
 Trace 1 = SW Node
 $V_{in} = 12V$, $I_{out} = 0\text{ mA}$

Figure 13. Startup Waveforms with No Load



Trace 3 = V_{OUT}
 Trace 2 = PGD Output
 Trace 1 = SW Node
 $V_{in} = 12V$, $C3 = 0.022 \mu F$

Figure 14. Startup Waveforms Showing PGD Output

15 PC Board Layout

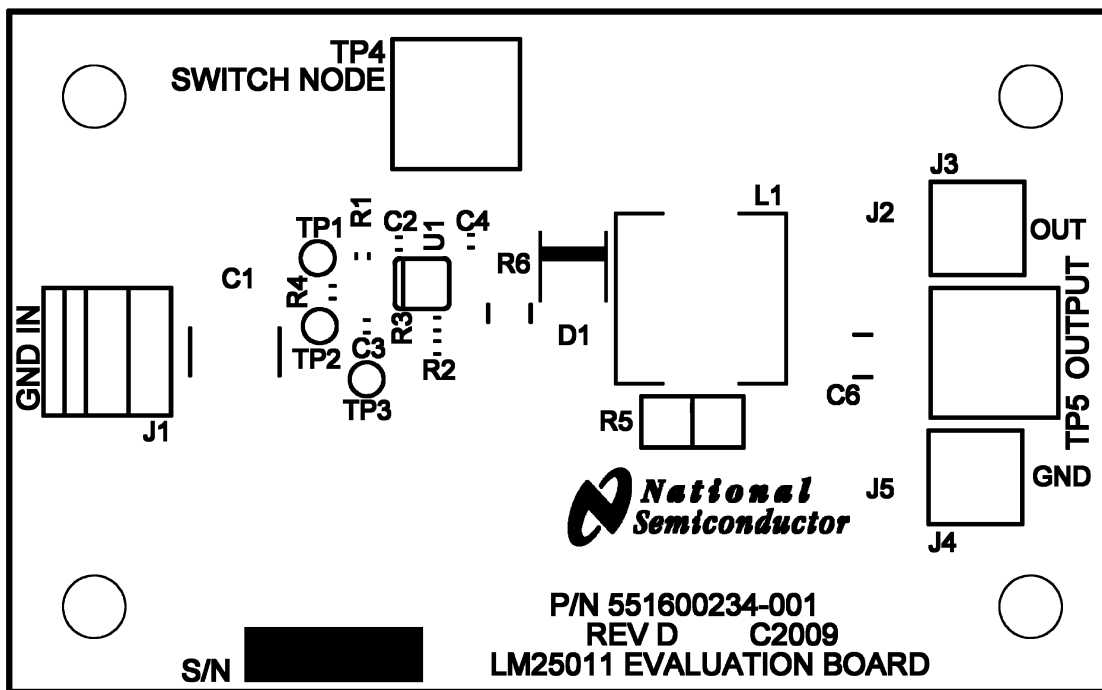


Figure 15. Board Silkscreen

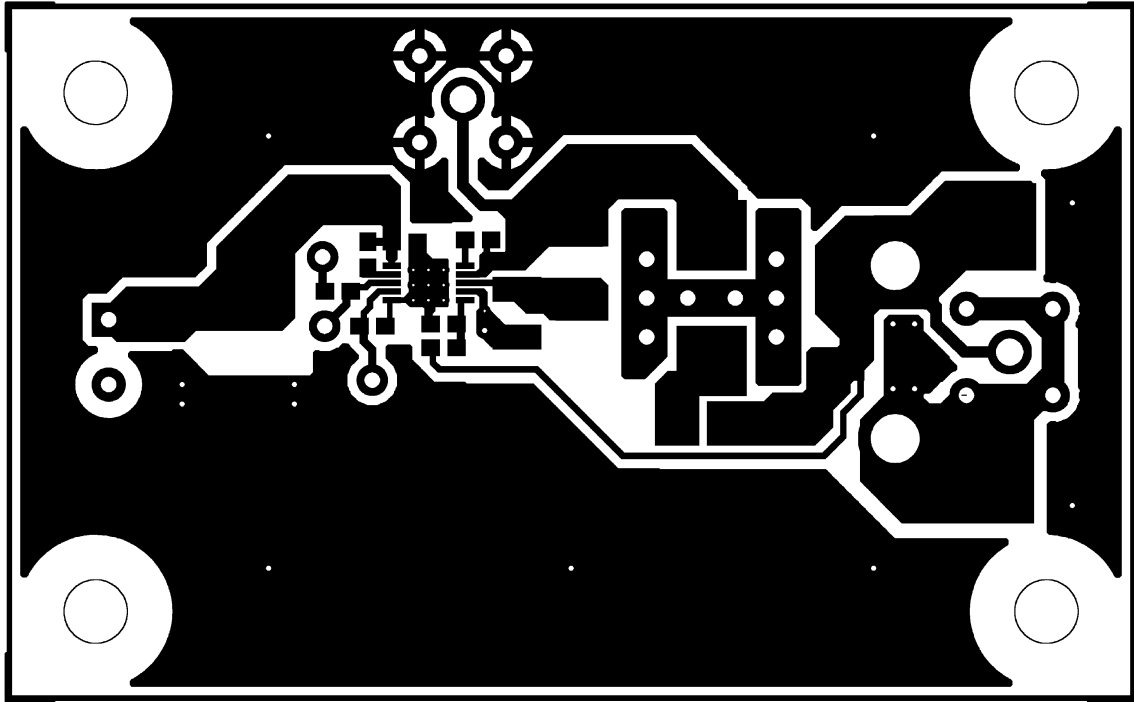


Figure 16. Board Top Layer

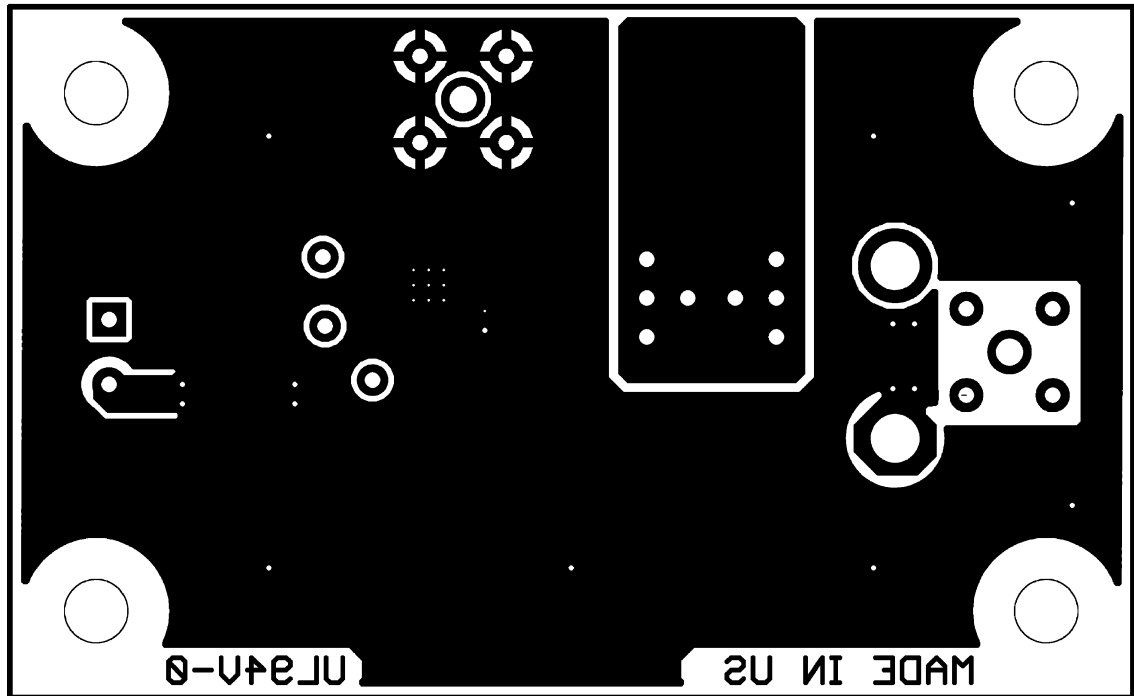


Figure 17. Board Second Layer (Viewed from Top)

IMPORTANT NOTICE

Texas Instruments Incorporated and its subsidiaries (TI) reserve the right to make corrections, enhancements, improvements and other changes to its semiconductor products and services per JESD46, latest issue, and to discontinue any product or service per JESD48, latest issue. Buyers should obtain the latest relevant information before placing orders and should verify that such information is current and complete. All semiconductor products (also referred to herein as "components") are sold subject to TI's terms and conditions of sale supplied at the time of order acknowledgment.

TI warrants performance of its components to the specifications applicable at the time of sale, in accordance with the warranty in TI's terms and conditions of sale of semiconductor products. Testing and other quality control techniques are used to the extent TI deems necessary to support this warranty. Except where mandated by applicable law, testing of all parameters of each component is not necessarily performed.

TI assumes no liability for applications assistance or the design of Buyers' products. Buyers are responsible for their products and applications using TI components. To minimize the risks associated with Buyers' products and applications, Buyers should provide adequate design and operating safeguards.

TI does not warrant or represent that any license, either express or implied, is granted under any patent right, copyright, mask work right, or other intellectual property right relating to any combination, machine, or process in which TI components or services are used. Information published by TI regarding third-party products or services does not constitute a license to use such products or services or a warranty or endorsement thereof. Use of such information may require a license from a third party under the patents or other intellectual property of the third party, or a license from TI under the patents or other intellectual property of TI.

Reproduction of significant portions of TI information in TI data books or data sheets is permissible only if reproduction is without alteration and is accompanied by all associated warranties, conditions, limitations, and notices. TI is not responsible or liable for such altered documentation. Information of third parties may be subject to additional restrictions.

Resale of TI components or services with statements different from or beyond the parameters stated by TI for that component or service voids all express and any implied warranties for the associated TI component or service and is an unfair and deceptive business practice. TI is not responsible or liable for any such statements.

Buyer acknowledges and agrees that it is solely responsible for compliance with all legal, regulatory and safety-related requirements concerning its products, and any use of TI components in its applications, notwithstanding any applications-related information or support that may be provided by TI. Buyer represents and agrees that it has all the necessary expertise to create and implement safeguards which anticipate dangerous consequences of failures, monitor failures and their consequences, lessen the likelihood of failures that might cause harm and take appropriate remedial actions. Buyer will fully indemnify TI and its representatives against any damages arising out of the use of any TI components in safety-critical applications.

In some cases, TI components may be promoted specifically to facilitate safety-related applications. With such components, TI's goal is to help enable customers to design and create their own end-product solutions that meet applicable functional safety standards and requirements. Nonetheless, such components are subject to these terms.

No TI components are authorized for use in FDA Class III (or similar life-critical medical equipment) unless authorized officers of the parties have executed a special agreement specifically governing such use.

Only those TI components which TI has specifically designated as military grade or "enhanced plastic" are designed and intended for use in military/aerospace applications or environments. Buyer acknowledges and agrees that any military or aerospace use of TI components which have **not** been so designated is solely at the Buyer's risk, and that Buyer is solely responsible for compliance with all legal and regulatory requirements in connection with such use.

TI has specifically designated certain components as meeting ISO/TS16949 requirements, mainly for automotive use. In any case of use of non-designated products, TI will not be responsible for any failure to meet ISO/TS16949.

Products

Audio	www.ti.com/audio
Amplifiers	amplifier.ti.com
Data Converters	dataconverter.ti.com
DLP® Products	www.dlp.com
DSP	dsp.ti.com
Clocks and Timers	www.ti.com/clocks
Interface	interface.ti.com
Logic	logic.ti.com
Power Mgmt	power.ti.com
Microcontrollers	microcontroller.ti.com
RFID	www.ti-rfid.com
OMAP Applications Processors	www.ti.com/omap
Wireless Connectivity	www.ti.com/wirelessconnectivity

Applications

Automotive and Transportation	www.ti.com/automotive
Communications and Telecom	www.ti.com/communications
Computers and Peripherals	www.ti.com/computers
Consumer Electronics	www.ti.com/consumer-apps
Energy and Lighting	www.ti.com/energy
Industrial	www.ti.com/industrial
Medical	www.ti.com/medical
Security	www.ti.com/security
Space, Avionics and Defense	www.ti.com/space-avionics-defense
Video and Imaging	www.ti.com/video

TI E2E Community

e2e.ti.com