

LM5025,LM5026,LM5034

Operation and Benefits of Active-Clamp Forward Power Converters



Literature Number: SNVA591

POWER | *designer*

Expert tips, tricks, and techniques for powerful designs

No. 108

Feature Article.....1-7

Dual Interleaved Active-Clamp Current-Mode Controller2

Active-Clamp Current-Mode PWM Controller....4

Half-Bridge Power MOSFET Drivers.....6

Power Design Tools.....8



Operation and Benefits of Active-Clamp Forward Power Converters

— Bob Bell, Power Applications Engineer

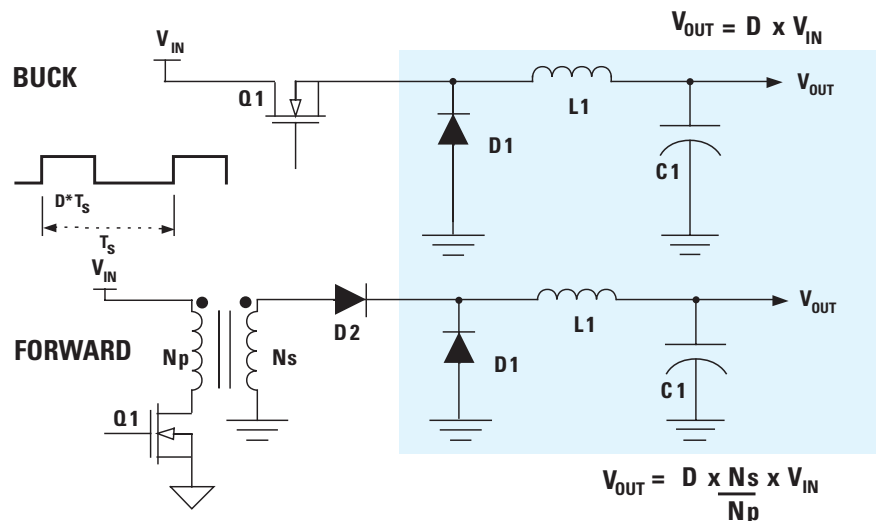


Figure 1. Buck and Forward Topologies

Forward converters with active-clamp reset offer multiple benefits to designers and are presently finding wide use. Power converters based on the forward topology are an excellent choice for applications where high efficiency and good power handling capability is required in the 50 to 500W power range. While the popularity of forward topology is based upon many factors, designers have been primarily drawn to its simplicity, performance, and efficiency.

The forward converter is derived from the buck topology. The main difference between the two topologies is that the transformer employed in the forward topology provides input-output ground isolation as well as a step-down or step-up function. The transformer in a forward topology does not inherently reset each switching cycle as do symmetrical topologies (push-pull, half-bridge, and full-bridge). A number of different reset mechanisms have been employed in forward power converters, each method has its own benefits and challenges. Forward converters with active-clamp reset offer multiple benefits to designers and are presently finding wide use.

NEXT ISSUE:

Low-Power FPGA Designs

 **National
Semiconductor**
The Sight & Sound of Information

100V Dual Interleaved Active-Clamp Current-Mode Controller

Highly Integrated LM5034 Maximizes Efficiency and Power Density of DC-DC Converters

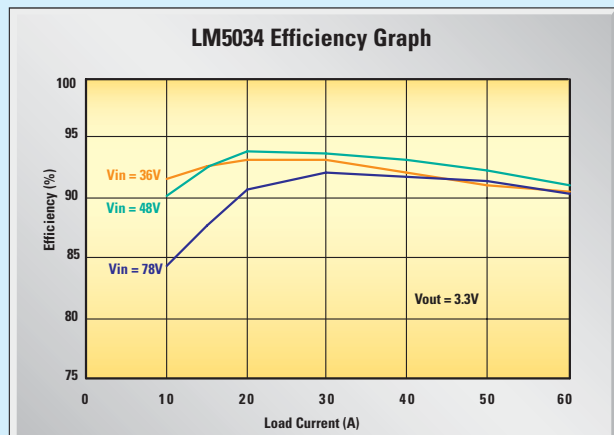
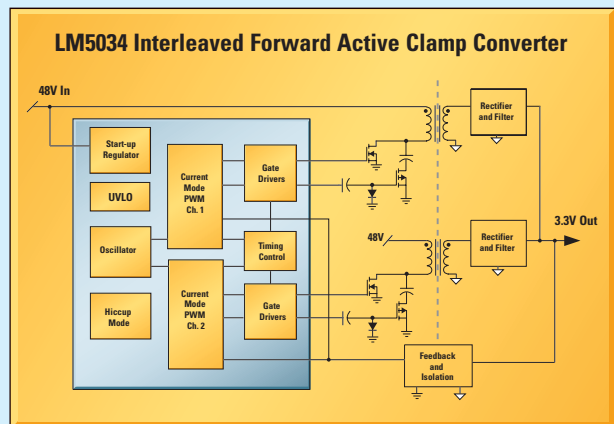
Features

- Independent current-mode controllers
- Interleaved single or dual output operation
- Compound 2.5A main FET gate drivers
- Active clamp FET gate drivers
- Integrated 100V start-up regulator
- Up to 1 MHz switching frequency programmed by a single resistor
- Programmable maximum duty cycle
- Adjustable soft-start and input under-voltage sensing
- Adjustable deadtime between main and active clamp gate drivers
- Available in TSSOP-20 packaging

Ideal for telecom infrastructure, networking, industrial, and automotive power supplies

Product Highlight:

LM5034 enables high efficiency in 200W to 500W DC-DC converters while reducing input ripple



Operation and Benefits of Active-Clamp Forward Power Converters

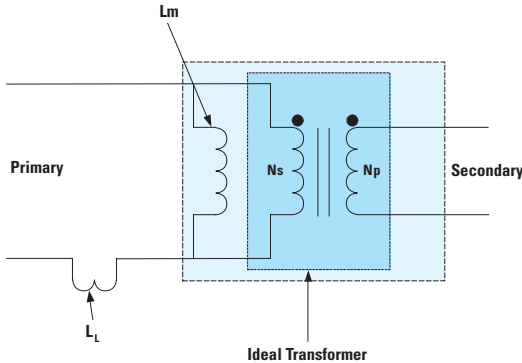


Figure 2. Transformer Model

Figure 1 shows the similarities between a buck and forward converter. Note the only difference between the transfer functions is the inclusion of the turns ratio term (N_s/N_p) in the forward transfer function. N_s and N_p are the number of secondary and primary turns, wound on the transformer core. Figure 2 presents a transformer model, including the “Magnetizing Inductance” (L_m) shown in parallel with the primary winding. This magnetizing inductance can be measured at the primary terminals with the secondary winding(s) open circuit. The current in the magnetizing inductance is proportional to the flux density within the core. A given size core can only support a certain flux density before saturation of the core occurs. When the core saturates, there is a rapid reduction in inductance. Another element of the transformer model is the “Leakage Inductance” (L_l) in series with the primary winding. This leakage inductance can be measured at the primary terminals

with the secondary winding(s) shorted. This term represents the stray primary inductance, which is not coupled to the secondary.

Active-Clamp Circuit Operation

Figures 3a through 3c illustrate the main operational steps of an active clamp forward power converter. At time t_0 , the main power switch (Q_1) is on, applying V_{IN} across the transformer primary. The transformer secondary winding voltage is $V_{IN} \times N_s/N_p$. The primary current is comprised of two components at this time; the reflected current from the output inductor ($I_L \times N_s/N_p$) and the current ramping up in the magnetizing inductance (L_m). The reset switch Q_2 is open and the clamp capacitor (C_c) has been previously charged to a voltage of $V_{IN}/(1-D)$, which will be explained later. This interval is the power phase, energy is transferred from the primary to the secondary during this period. The approximate duration of the power phase is $T_s \times V_{OUT} / V_{IN}$, where T_s is the switching period.

At time t_1 , the main power switch (Q_1) is turned off and the reset switch (Q_2) is turned on. The magnetizing current flows through the clamp capacitor and Q_2 instead of through Q_1 . Since the clamp capacitor voltage is greater than V_{IN} , the voltage across the transformer primary is now reversed, compared to the power phase t_0 . Because the potential across the magnetizing inductance has been reversed, the magnitude of the magnetizing current will decrease as the energy stored in the

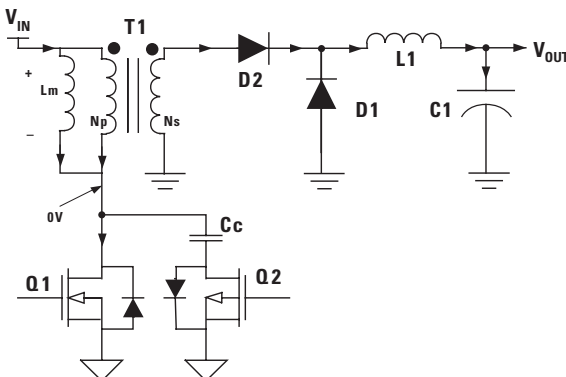


Figure 3a. Operation at Step t_0

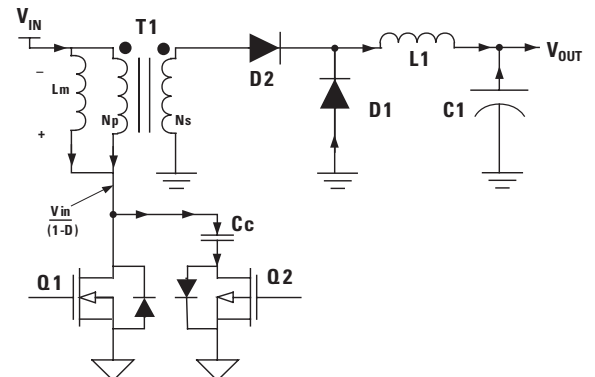


Figure 3b. Operation at Step t_1

Current-Mode Controller for Forward Converters with Active-Clamp Reset

LM5026 Offers Versatile Dual-Mode Over-Current Protection with Hiccup Delay Timer

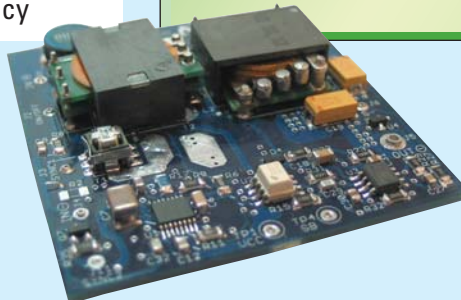
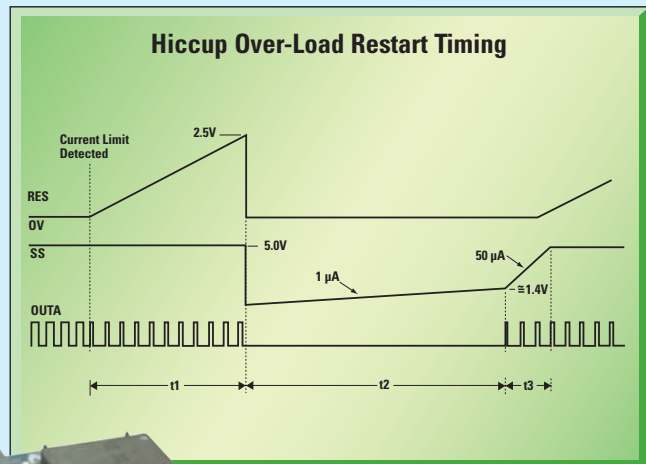
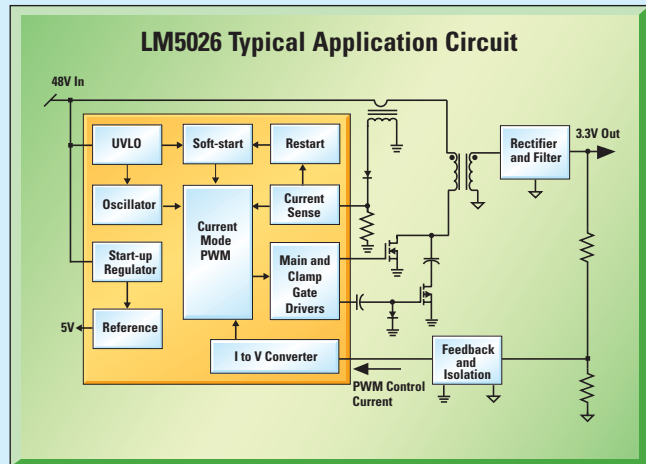
Features

- Wide range (8V to 100V) start-up bias regulator
- Two high-speed power MOSFET drivers: 3A main output driver and 1A clamp driver
- User-programmable maximum duty-cycle and UVLO hysteresis thresholds
- User-programmable gate driver overlap and dead-time
- Versatile dual-mode over-current protection with hiccup mode delay timer
- TSSOP-16 or thermally enhanced LLP-16 packaging

Ideal for use in telecommunications power systems, +42V automotive power systems, -48V distributed power systems, industrial power supplies, and multi-output power supplies

Product Highlight:

Robust and flexible forward active-clamp controller offers highest efficiency



Operation and Benefits of Active-Clamp Forward Power Converters

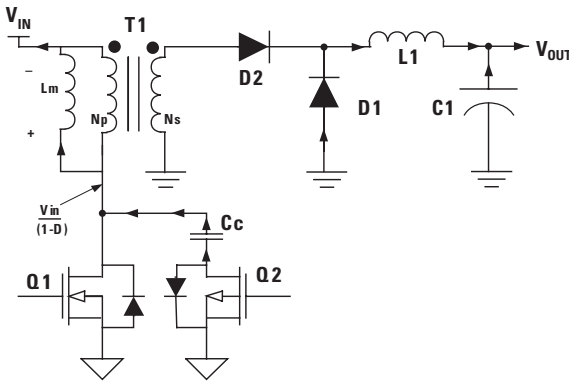


Figure 3c. Operation at Step t2

magnetizing inductance is transferred into the clamp capacitor. The voltage across the clamp capacitor increases slightly during this period and peaks when the magnetizing current reaches zero.

At t2, the current in the magnetizing inductance reaches zero and starts to build in the opposite direction, sourced from the clamp capacitor

through the reset switch (Q2) and the magnetizing inductance (L_m) then back to the source (V_{IN}). The current will continue to build in the opposite direction as the clamp capacitor returns the energy that it had previously captured from the magnetizing inductance. Steady state conditions require the clamp capacitor voltage to return to the starting potential and the magnetizing current at the conclusion of the reset time to reach the same magnitude (opposite polarity) as the current at the beginning of this reset time. At the conclusion of t_2 , the switching period is over, as defined by the controller oscillator period. The reset switch is turned off, stopping the flow of current from the clamp capacitor.

Figure 4 shows several of the key circuit waveforms. The uppermost waveforms are the modulator ramp and error signals which determine the main switch on-time. The center waveform is the main switch drain voltage, which is low when the switch is on and rises to the clamp capacitor potential when the

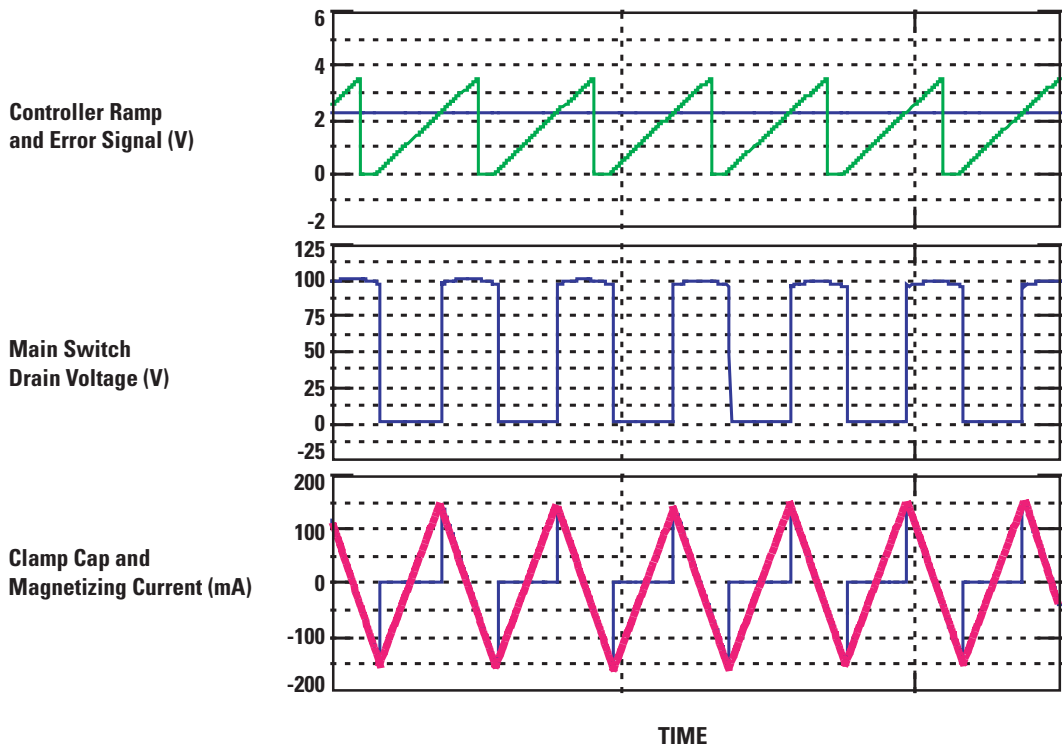
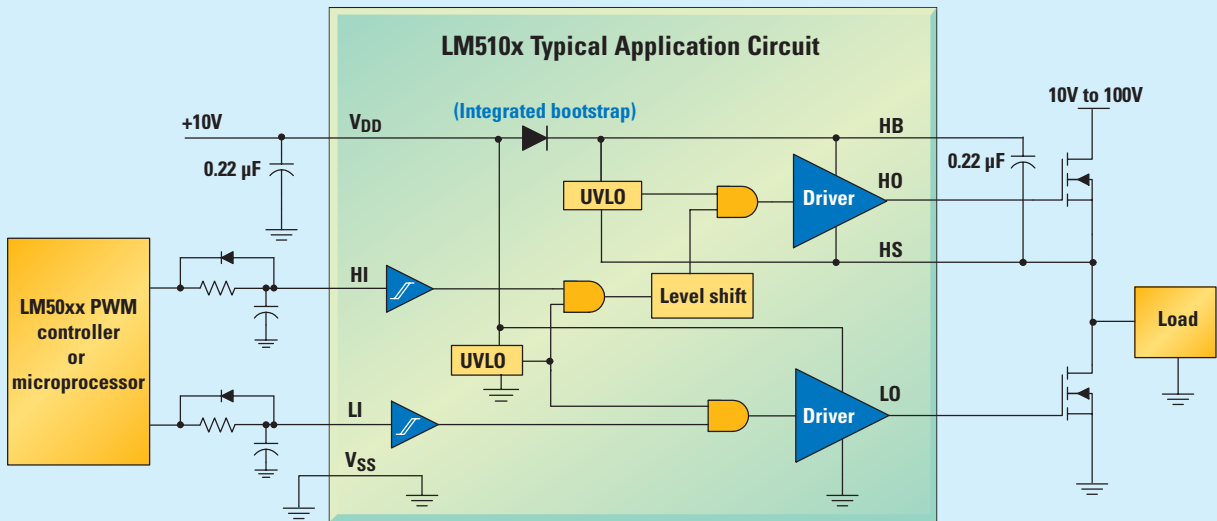


Figure 4. Key Active-Clamp Waveforms

100V Half-Bridge Power MOSFET Drivers

LM510x Family Offers the Industry's Highest Peak Gate Drive Current



Features

- Flexible configurations: interleaved forward, cascaded push-pull, half-bridge or full-bridge
- User-programmable turn-on edge delay feature (LM5105)
- New high-voltage bootstrap diode
- Best-in-class speed and efficiency in high-frequency switching regulator applications
- Negative load voltage transient capability down to $-5V$ (LM5105/07)
- Available in SOIC and tiny, thermally enhanced LLP® packaging

Ideal for half-bridge and full-bridge power DC-DC converters, cascading current-fed or voltage-fed DC-DC converters, high-voltage buck DC-DC converters, and solid-state motor and solenoid drivers

Family Highlight:

Synchronous gate drivers optimized for every topology and high efficiency

Peak Gate Current	Product ID	Input Threshold	Packaging	Comments
NEW! 3.0A	LM5100A/01A	CMOS / TTL	LLP-10, SOIC-8	Upgrade on HIP2100/01
NEW! 1.8A	LM5105	TTL	LLP-10	Programmable dead-time, negative V_{LOAD}
NEW! 1.4A	LM5107	TTL	LLP-8, SOIC-8	Upgrade of ISL6700, negative V_{LOAD}

Operation and Benefits of Active-Clamp Forward Power Converters

switch is off. The red line in the lower waveform represents the magnetizing inductance current, which flows through the clamp capacitor (blue line waveform) during the reset time. As expected, both currents are balanced around the zero.

Benefits of Active-Clamp Reset

Several switching loss benefits can be realized with active-clamp reset. With sufficiently fast gate drive, the turn off of Q1 can be virtually lossless. To accomplish this, the gate of Q1 must be turned off (and the flow of current stopped) before the drain voltage has a chance to rise. The rise of the drain voltage is delayed due to the drain-source capacitance; a robust gate driver can turn off Q1 before the drain voltage increases significantly. The use of a compound gate driver made up of MOS and Bipolar devices provides a high peak gate discharge current to ensure a fast turn off and reduced switching losses. Turn-on losses can be reduced with proper selection of the switch delays, allowing time for the drain voltage reduction prior to the initiation of the main switch.

For steady state operation, the net Voltage x Time product applied to the magnetizing inductance over a complete cycle must equal zero. When the main switch is on, the Volt x Time product is $V_{IN} \times D \times T_s$, where D is the on-time duty cycle and T_s is the switching period. The off period is defined as $(1-D) \times T_s$. The voltage across the primary when the main switch is off is $V_C - V_{IN}$, where V_C is the clamp capacitor voltage. In steady state operation, the Volt x Time products must be equal:

$$V_{IN} \times D \times T_s = (V_C - V_{IN}) \times (1-D) \times T_s$$

Solving for clamp capacitor voltage yields:
 $V_C = V_{IN} / (1-D)$

Remember that the duty cycle (D) decreases as V_{IN} increases. The clamp capacitor voltage will adapt to changing line (V_{IN}) conditions to maintain this equality. This important feature minimizes the voltage stress across the main switch for all operating conditions, thus allowing use of lower $V_{(BR)DSS}$ rated devices. A lower MOSFET $V_{(BR)DSS}$ rating leads to lower on resistance and

lower gate charge, which translates into higher conversion efficiency.

The energy stored in the leakage inductance is re-circulated rather than dissipated and the possibility of duty cycles over 50% leads to lower voltage stress on the rectifiers, further reducing losses.

Evaluation Boards

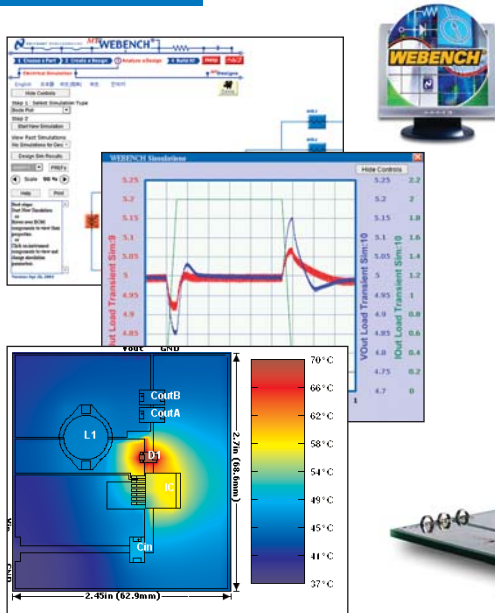
Several DC-DC converter demonstration boards employing active clamp reset are available, implemented with either voltage-mode or current-mode control. The input voltage range is 36V to 75V, with the output rated for 100W at 3.3V. The peak efficiency of 93% was measured at 15A load. The power transformer has a 6-to-1 turns ratio. The primary winding is made of 12 turns and the secondary winding is made of 2 turns. A planar construction technique is employed and the primary is fabricated with a multi-layer PC board. The high-current secondary is fabricated with insulated copper stampings.

The LM5025, LM5026, and LM5034 controllers directly drive the N-Channel power switch and a P-Channel reset switch. The internal gate drivers are sized differently for each switch. The reset switch only carries the magnetizing current allowing smaller gate drive. The main switch requires a robust gate drive in order to achieve the reduction in switching losses. The necessary timing delay between each of the gate driver outputs is programmable within the controller. The output rectifiers are implemented with synchronous MOSFETs. The active reset scheme eases the implementation of synchronous rectifiers as they can be self-driven.

Conclusion

In summary, the active-clamp technique allows the use of lower voltage rated MOSFETs and eases the use of self-driven synchronous rectifiers. The magnetizing and leakage energies are recycled and returned to the source. These benefits allow power converter designers to extend the power conversion efficiency. ■

Power Design Tools

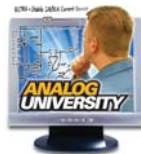
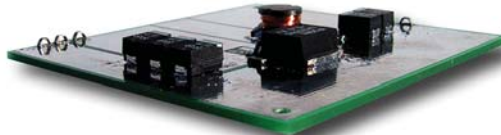


WEBENCH® Online Design Environment

Our design and prototyping environment simplifies and expedites the entire design process.

1. Choose a part
2. Create a design
3. Analyze a power supply design
 - Perform electrical simulation
 - Simulate thermal behavior
4. Build it
 - Receive your custom prototype kit 24 hours later

webench.national.com



Analog University®

Expand your knowledge and understanding of analog with our free online educational training tool.

analogU.national.com

National Semiconductor

2900 Semiconductor Drive
PO Box 58090
Santa Clara, CA 95052
1 800 272 9959

Visit our website at:
power.national.com

For more information,
send email to:
new.feedback@nsc.com

Don't miss a single issue!



Subscribe now to receive email alerts when new issues of Power Designer are available:

power.national.com/designer

Introducing our new Signal Path DesignerSM! View online today at:

signalpath.national.com/designer



IMPORTANT NOTICE

Texas Instruments Incorporated and its subsidiaries (TI) reserve the right to make corrections, modifications, enhancements, improvements, and other changes to its products and services at any time and to discontinue any product or service without notice. Customers should obtain the latest relevant information before placing orders and should verify that such information is current and complete. All products are sold subject to TI's terms and conditions of sale supplied at the time of order acknowledgment.

TI warrants performance of its hardware products to the specifications applicable at the time of sale in accordance with TI's standard warranty. Testing and other quality control techniques are used to the extent TI deems necessary to support this warranty. Except where mandated by government requirements, testing of all parameters of each product is not necessarily performed.

TI assumes no liability for applications assistance or customer product design. Customers are responsible for their products and applications using TI components. To minimize the risks associated with customer products and applications, customers should provide adequate design and operating safeguards.

TI does not warrant or represent that any license, either express or implied, is granted under any TI patent right, copyright, mask work right, or other TI intellectual property right relating to any combination, machine, or process in which TI products or services are used. Information published by TI regarding third-party products or services does not constitute a license from TI to use such products or services or a warranty or endorsement thereof. Use of such information may require a license from a third party under the patents or other intellectual property of the third party, or a license from TI under the patents or other intellectual property of TI.

Reproduction of TI information in TI data books or data sheets is permissible only if reproduction is without alteration and is accompanied by all associated warranties, conditions, limitations, and notices. Reproduction of this information with alteration is an unfair and deceptive business practice. TI is not responsible or liable for such altered documentation. Information of third parties may be subject to additional restrictions.

Resale of TI products or services with statements different from or beyond the parameters stated by TI for that product or service voids all express and any implied warranties for the associated TI product or service and is an unfair and deceptive business practice. TI is not responsible or liable for any such statements.

TI products are not authorized for use in safety-critical applications (such as life support) where a failure of the TI product would reasonably be expected to cause severe personal injury or death, unless officers of the parties have executed an agreement specifically governing such use. Buyers represent that they have all necessary expertise in the safety and regulatory ramifications of their applications, and acknowledge and agree that they are solely responsible for all legal, regulatory and safety-related requirements concerning their products and any use of TI products in such safety-critical applications, notwithstanding any applications-related information or support that may be provided by TI. Further, Buyers must fully indemnify TI and its representatives against any damages arising out of the use of TI products in such safety-critical applications.

TI products are neither designed nor intended for use in military/aerospace applications or environments unless the TI products are specifically designated by TI as military-grade or "enhanced plastic." Only products designated by TI as military-grade meet military specifications. Buyers acknowledge and agree that any such use of TI products which TI has not designated as military-grade is solely at the Buyer's risk, and that they are solely responsible for compliance with all legal and regulatory requirements in connection with such use.

TI products are neither designed nor intended for use in automotive applications or environments unless the specific TI products are designated by TI as compliant with ISO/TS 16949 requirements. Buyers acknowledge and agree that, if they use any non-designated products in automotive applications, TI will not be responsible for any failure to meet such requirements.

Following are URLs where you can obtain information on other Texas Instruments products and application solutions:

Products

Audio	www.ti.com/audio
Amplifiers	amplifier.ti.com
Data Converters	dataconverter.ti.com
DLP® Products	www.dlp.com
DSP	dsp.ti.com
Clocks and Timers	www.ti.com/clocks
Interface	interface.ti.com
Logic	logic.ti.com
Power Mgmt	power.ti.com
Microcontrollers	microcontroller.ti.com
RFID	www.ti-rfid.com
OMAP Mobile Processors	www.ti.com/omap
Wireless Connectivity	www.ti.com/wirelessconnectivity

Applications

Communications and Telecom	www.ti.com/communications
Computers and Peripherals	www.ti.com/computers
Consumer Electronics	www.ti.com/consumer-apps
Energy and Lighting	www.ti.com/energy
Industrial	www.ti.com/industrial
Medical	www.ti.com/medical
Security	www.ti.com/security
Space, Avionics and Defense	www.ti.com/space-avionics-defense
Transportation and Automotive	www.ti.com/automotive
Video and Imaging	www.ti.com/video

TI E2E Community Home Page

e2e.ti.com

Mailing Address: Texas Instruments, Post Office Box 655303, Dallas, Texas 75265
Copyright © 2011, Texas Instruments Incorporated