

# Buck regulator topologies for wide input/output voltage differentials



**Bob Bell,**  
*Applications Engineer*  
*Texas Instruments*

**David Pace,**  
*Design Manager*  
*Texas Instruments*

# **Buck regulators are used to efficiently step down a higher level, unregulated input voltage to a regulated output voltage. In applications requiring DC-DC conversion from a high-input voltage, the buck regulator dramatically improves conversion efficiency relative to linear regulator alternatives.**

---

However, applying the buck regulator to applications with high input-to-output step-down ratios creates significant challenges for the pulse-width modulation (PWM) controller. Because the duty cycle of the buck regulator switch is approximately equal to  $V_{OUT}/V_{IN}$ , a buck DC-DC converter with high input/output voltage ratio must control very narrow PWM pulses.

The switching frequency of a buck regulator is generally set to a high level to reduce the size of the inductor and capacitors. High switching frequency and low duty cycle translates to very short pulse durations in the controller. For example, a buck regulator with an input voltage of 66 V and an output voltage of 3.3 V will require a buck switch duty cycle of approximately 5%. At a typical switching frequency of 300 kHz, the required PWM on-time of the buck switch is a mere 166 ns.

Control methods or topologies used in buck regulators include Voltage-Mode (VM), Current-Mode (CM), Hysteretic, and Constant-On-Time (COT) control. Current-mode control provides ease-of-loop compensation, FET switch protection, and inherent line feed-forward compensation. This makes current-mode control a favorite among power designers.

Hysteretic and Constant-on-Time controllers respond more quickly to load transients but do not operate at constant switching frequency. Constant-on-Time,

a variant of hysteretic control, provides improved stability and less variation in switching frequency.

## **Current-Mode Control**

Buck regulator ICs intended for high input/output step-down ratios must provide robust noise immunity when operating with very narrow duty cycles. In a current-mode topology, the challenge is the measurement and scaling of the inductor current. **Figure 1** shows the block diagram of a currentmode buck regulator. The output voltage is monitored and compared to a reference, with the error signal applied to the PWM comparator. The modulating ramp is a signal proportional to the buck switch current. When the buck switch is turned on, the inductor current flows through it with a slope of  $(V_{IN} - V_{OUT}) / L$ . An accurate, fast measurement of the buck-switch current is necessary to create the PWM ramp signal.

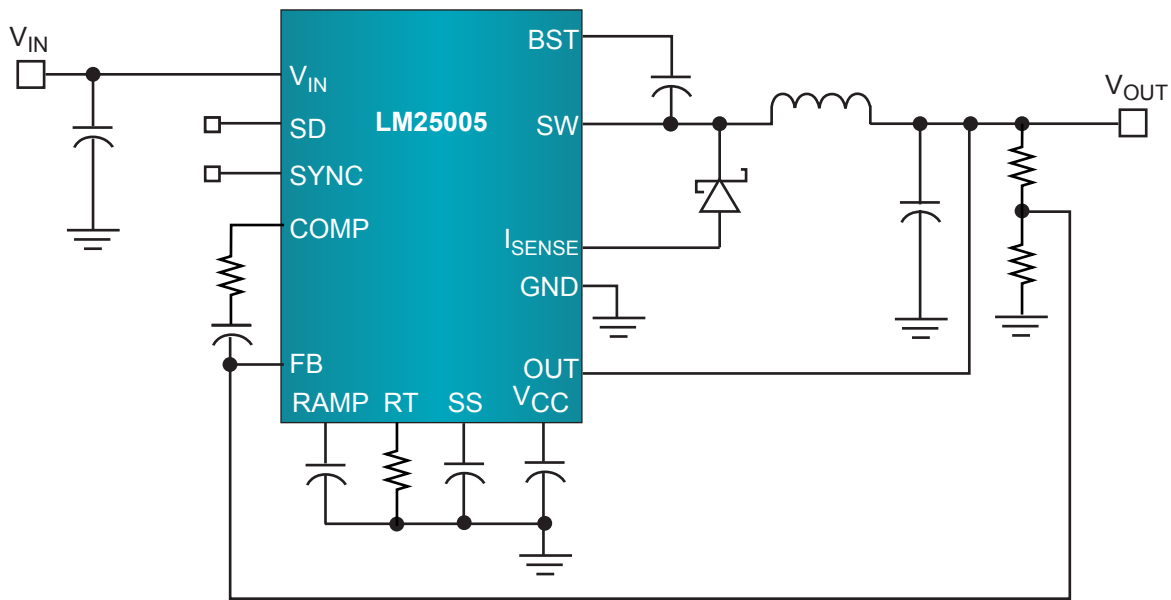


Figure 1. Buck regulator using current-mode control.

Propagation delays and switching transients make it difficult to use current-mode control for large conversion ratio applications where very small on-times are required. Even with the best design practices, current sense and level shift circuits will add significant propagation delay. In addition, when the buck switch turns on, the reverse recovery current into the free-wheeling diode (D1) causes a leading-edge current spike with an extended ringing period (See Figure 2.) This spike can cause the PWM comparator to trip prematurely. Attempts to filter or blank this leading-edge spike reduces the minimum controllable on-time of the buck switch.

### Emulated Current-Mode Control

The challenge of accurate and fast current measurement can be met with a new proprietary method that emulates the buck-switch current without actually measuring the current. The buck-switch current waveform can be broken down into two parts—a base, or pedestal, and a ramp. The pedestal represents the minimum (or valley)

inductor current level. The inductor current falls to its minimum just before the buck switch turns on. A sample-and-hold measurement of the free-wheeling diode current, taken just prior to the turn-on of the buck switch, can capture the pedestal current information.

The other part of the buck-switch current waveform is the positive ramp to the peak level. The ramping current slope is described by,  $di/dt = (V_{IN} - V_{OUT}) / L$ .

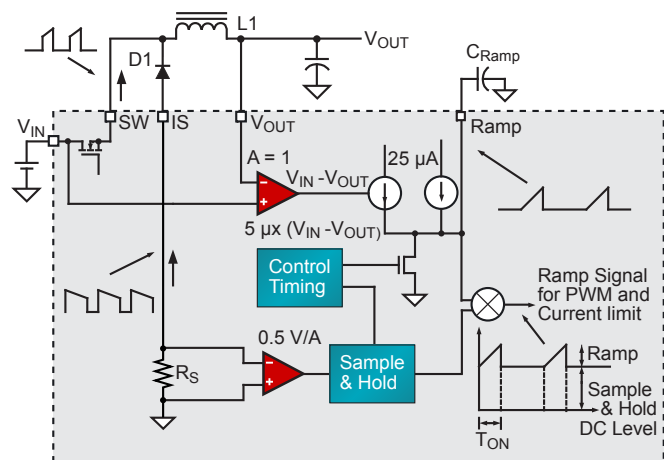


Figure 2. Emulated current-mode regulator.

A signal equivalent to the current ramp can be created with a current source proportional to  $V_{IN} - V_{OUT}$  and a capacitor ( $C_{RAMP}$ ). If the current source ( $I_{RAMP}$ ) is controlled by the difference between the input and output voltages, the capacitor charging slope is:  $dv/dt = K * (V_{IN} - V_{OUT}) / C_{RAMP}$ , where K is a constant scale factor for the current source. The value of  $C_{RAMP}$  can be selected to set the capacitor voltage slope proportional to the inductor current slope.

**Figure 2** presents the block diagram of the LM25005, an integrated buck regulator that implements the emulated current-mode control scheme described above. The free-wheeling diode anode is connected to ground through the controller. A small-value, current-sense resistor and amplifier are used to measure the diode current. A sample-and-hold circuit captures the minimum level diode current just prior to the turn-on of the buck switch. Sampling the valley current, each cycle provides the pedestal portion of the emulated current sense signal.

The LM25005 senses the input voltage and the output voltage to generate a current source that charges an external ramp capacitor ( $C_{RAMP}$ ). When the buck switch is turned on, the capacitor voltage rises linearly during each cycle. When the

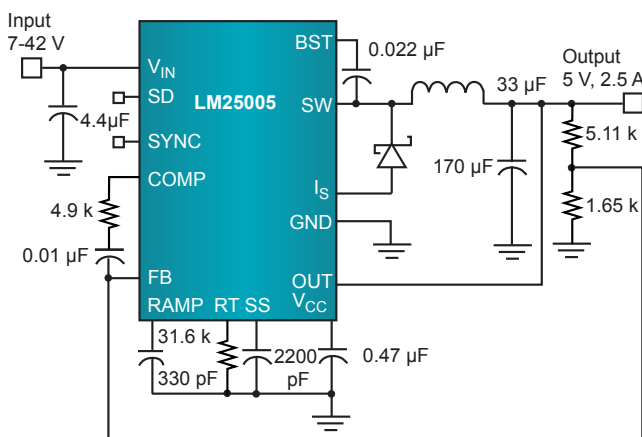
buck switch is turned off, the capacitor is discharged. For proper operation, the ramp capacitor is chosen in proportion to the value of the buck inductor. The LM25005 sums the sampled current pedestal and the external ramp capacitor voltage and applies this signal to the PWM comparator. The final result is a controller that behaves like a peak current-mode controller but without the delay and transient effects in the current sensing signal.

For applications operating with duty cycles greater than 50 percent, peak current-mode controllers are subject to sub-harmonic oscillation. Oscillation is normally avoided by adding an additional fixed slope ramp to the current-sense signal (slope compensation). In the LM25005, an additional fixed offset current provides an additional fixed slope to the ramp capacitor signal. For very high duty cycle applications, the ramp capacitor value can be decreased to further increase the ramp slope and prevent sub-harmonic oscillation. LM25005 output overload protection is accomplished with a dedicated current-limit comparator which limits the emulated peak current on a cycle-by-cycle basis. The emulated current-mode method provides the added benefit of capturing inductor current information prior to the buck switch turnon. If the current pedestal exceeds the current-limit comparator threshold due to an extreme overload condition, the buck switch skips cycles to prevent current runaway.

**Figure 3** shows an LM25005 controlled buck regulator designed for an input voltage range of 7 V to 42 V and an output voltage of 5 V with a maximum load of 2.5 A.

### Constant-On-Time Control

Another solution involving high input/output ratio buck regulators is Constant-On-Time control. This method can be thought of as a gated one-shot,



**Figure 3.** LM25005 buck regulator schematic.

where a feedback comparator triggers the next buck switch on-time when the output voltage falls below a threshold level. COT control is well suited for applications with high input/output voltage ratios because the one-shot can be programmed for a very short on-time and the feedback comparator will adjust the off-time to achieve the necessary low duty cycle. The noise sensitivity of a PWM ramp operating at low levels are completely eliminated. The COT technique has been used for many years for simple, cost-effective DC-DC converters because it requires no error amplifier or loop compensation components. The central issue of this method is frequency variation with input voltage and the possibility of sub-harmonic oscillation.

The block diagram in **Figure 4** illustrates the LM25010, a new member of a generation of COT buck regulators that solves these problems. The one-shot which controls the on-time is programmed by resistor  $R_{ON}$  which is connected between the unregulated input voltage and the controller. The period of the one-shot ( $T_{ON}$ ) thus varies inversely with the input voltage. Using the simplified equation for the duty cycle (D) of a buck regulator, with  $F_s$  representing switching frequency:

$$D = V_{OUT}/V_{IN}$$

$$\text{But by definition, } D = T_{ON}/(T_{ON}+T_{OFF}) = T_{ON} * F_s$$

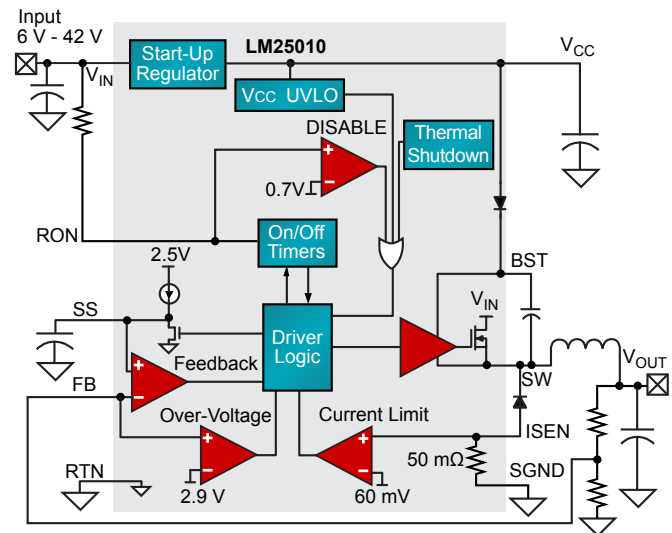
$$\text{Since, } T_{ON} = K/V_{IN}$$

$$\text{Therefore, } F_s = V_{OUT}/K$$

Thus in any application where the desired  $V_{OUT}$  is a fixed value, the on-time can be programmed to achieve a desired switching frequency and the frequency will not vary significantly with changes in the input voltage.

One challenge associated with COT regulators is current limiting. If the on-time is terminated by a

current-limit circuit which senses the current in the buck switch, the output voltage will fall and the off-time will decrease to its minimum value in an attempt to maintain voltage regulation. The frequency of the regulator will increase to an extremely high value, limited only by the propagation delays, and power dissipation within the IC will become excessive. Some buck regulator solutions arbitrarily enforce a minimum off-time after current limit is detected to guarantee that the frequency does not increase excessively in overload conditions. This approach produces a fold-back in the current limit I vs V characteristic which can limit the useful load range of the regulator.



**Figure 4.** LM25010 COT buck regulator.

The LM25010 illustrated in **Figure 4** solves the current limit dilemma with a simple yet effective method. The free-wheeling diode current is routed through a sense resistor in the IC. The current in the diode is sensed by a resistor and monitored by a comparator. If the current flowing through the freewheeling diode exceeds the current-limit threshold, the current-limit comparator will disable the buck switch until the diode current falls to an acceptable level. The off-time is automatically

increased to the time required for the buck inductor current to ramp down to the desired valley current. Thus, neither the output current nor the switching frequency can run away during overload.

Regulators based on COT control are subject to erratic switching behavior if there is not sufficient ripple voltage present at the Feedback (FB) pin. If the output capacitor has a large enough Equivalent Series Resistance (ESR) this issue can be avoided. In applications where a relatively large output ripple cannot be tolerated, several ripple reduction techniques are available.

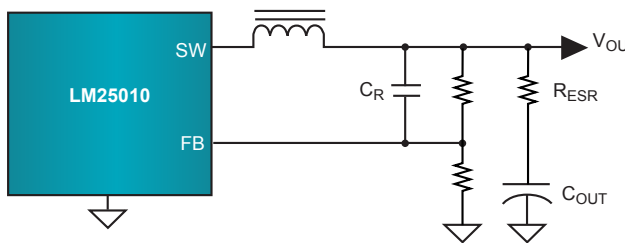


Figure 5a. COT ripple reduction using  $C_R$ .

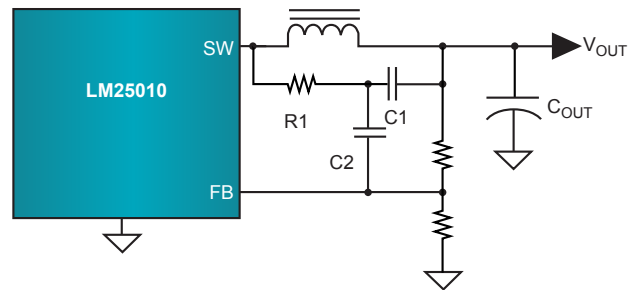


Figure 5b. COT ripple reduction using  $R_1$ ,  $C_1$ , and  $C_2$ .

In **Figure 5a**, the ripple at  $V_{OUT}$  is fed to FB through  $C_R$ . Therefore the ripple at  $V_{OUT}$  can be less than in the standard circuit since it is not attenuated as much by the feedback resistors.

In **Figure 5b**, the  $R_{ESR}$  is removed resulting in low ripple at  $V_{OUT}$ . The ripple required at FB is produced by  $R_1$ ,  $C_1$ , and  $C_2$ . Since  $V_{OUT}$  is an AC ground, and the SW pin switches between  $V_{IN}$  and ground, a sawtooth is generated at the  $R_1$ ,  $C_1$  junction.  $C_2$  then couples that ripple to FB.

These are some of the control methods and topologies favored by power designers. For more information on high-voltage switching power supply topologies, visit [www.ti.com/ww/en/analog/power\\_management/widevin/index.html](http://www.ti.com/ww/en/analog/power_management/widevin/index.html).

**Important Notice:** The products and services of Texas Instruments Incorporated and its subsidiaries described herein are sold subject to TI's standard terms and conditions of sale. Customers are advised to obtain the most current and complete information about TI products and services before placing orders. TI assumes no liability for applications assistance, customer's applications or product designs, software performance, or infringement of patents. The publication of information regarding any other company's products or services does not constitute TI's approval, warranty or endorsement thereof.

The platform bar is a trademark of Texas Instruments.  
All other trademarks are the property of their respective owners.

## IMPORTANT NOTICE

Texas Instruments Incorporated and its subsidiaries (TI) reserve the right to make corrections, enhancements, improvements and other changes to its semiconductor products and services per JESD46, latest issue, and to discontinue any product or service per JESD48, latest issue. Buyers should obtain the latest relevant information before placing orders and should verify that such information is current and complete. All semiconductor products (also referred to herein as "components") are sold subject to TI's terms and conditions of sale supplied at the time of order acknowledgment.

TI warrants performance of its components to the specifications applicable at the time of sale, in accordance with the warranty in TI's terms and conditions of sale of semiconductor products. Testing and other quality control techniques are used to the extent TI deems necessary to support this warranty. Except where mandated by applicable law, testing of all parameters of each component is not necessarily performed.

TI assumes no liability for applications assistance or the design of Buyers' products. Buyers are responsible for their products and applications using TI components. To minimize the risks associated with Buyers' products and applications, Buyers should provide adequate design and operating safeguards.

TI does not warrant or represent that any license, either express or implied, is granted under any patent right, copyright, mask work right, or other intellectual property right relating to any combination, machine, or process in which TI components or services are used. Information published by TI regarding third-party products or services does not constitute a license to use such products or services or a warranty or endorsement thereof. Use of such information may require a license from a third party under the patents or other intellectual property of the third party, or a license from TI under the patents or other intellectual property of TI.

Reproduction of significant portions of TI information in TI data books or data sheets is permissible only if reproduction is without alteration and is accompanied by all associated warranties, conditions, limitations, and notices. TI is not responsible or liable for such altered documentation. Information of third parties may be subject to additional restrictions.

Resale of TI components or services with statements different from or beyond the parameters stated by TI for that component or service voids all express and any implied warranties for the associated TI component or service and is an unfair and deceptive business practice. TI is not responsible or liable for any such statements.

Buyer acknowledges and agrees that it is solely responsible for compliance with all legal, regulatory and safety-related requirements concerning its products, and any use of TI components in its applications, notwithstanding any applications-related information or support that may be provided by TI. Buyer represents and agrees that it has all the necessary expertise to create and implement safeguards which anticipate dangerous consequences of failures, monitor failures and their consequences, lessen the likelihood of failures that might cause harm and take appropriate remedial actions. Buyer will fully indemnify TI and its representatives against any damages arising out of the use of any TI components in safety-critical applications.

In some cases, TI components may be promoted specifically to facilitate safety-related applications. With such components, TI's goal is to help enable customers to design and create their own end-product solutions that meet applicable functional safety standards and requirements. Nonetheless, such components are subject to these terms.

No TI components are authorized for use in FDA Class III (or similar life-critical medical equipment) unless authorized officers of the parties have executed a special agreement specifically governing such use.

Only those TI components which TI has specifically designated as military grade or "enhanced plastic" are designed and intended for use in military/aerospace applications or environments. Buyer acknowledges and agrees that any military or aerospace use of TI components which have **not** been so designated is solely at the Buyer's risk, and that Buyer is solely responsible for compliance with all legal and regulatory requirements in connection with such use.

TI has specifically designated certain components as meeting ISO/TS16949 requirements, mainly for automotive use. In any case of use of non-designated products, TI will not be responsible for any failure to meet ISO/TS16949.

### Products

Audio	<a href="http://www.ti.com/audio">www.ti.com/audio</a>
Amplifiers	<a href="http://amplifier.ti.com">amplifier.ti.com</a>
Data Converters	<a href="http://dataconverter.ti.com">dataconverter.ti.com</a>
DLP® Products	<a href="http://www.dlp.com">www.dlp.com</a>
DSP	<a href="http://dsp.ti.com">dsp.ti.com</a>
Clocks and Timers	<a href="http://www.ti.com/clocks">www.ti.com/clocks</a>
Interface	<a href="http://interface.ti.com">interface.ti.com</a>
Logic	<a href="http://logic.ti.com">logic.ti.com</a>
Power Mgmt	<a href="http://power.ti.com">power.ti.com</a>
Microcontrollers	<a href="http://microcontroller.ti.com">microcontroller.ti.com</a>
RFID	<a href="http://www.ti-rfid.com">www.ti-rfid.com</a>
OMAP Applications Processors	<a href="http://www.ti.com/omap">www.ti.com/omap</a>
Wireless Connectivity	<a href="http://www.ti.com/wirelessconnectivity">www.ti.com/wirelessconnectivity</a>

### Applications

Automotive and Transportation	<a href="http://www.ti.com/automotive">www.ti.com/automotive</a>
Communications and Telecom	<a href="http://www.ti.com/communications">www.ti.com/communications</a>
Computers and Peripherals	<a href="http://www.ti.com/computers">www.ti.com/computers</a>
Consumer Electronics	<a href="http://www.ti.com/consumer-apps">www.ti.com/consumer-apps</a>
Energy and Lighting	<a href="http://www.ti.com/energy">www.ti.com/energy</a>
Industrial	<a href="http://www.ti.com/industrial">www.ti.com/industrial</a>
Medical	<a href="http://www.ti.com/medical">www.ti.com/medical</a>
Security	<a href="http://www.ti.com/security">www.ti.com/security</a>
Space, Avionics and Defense	<a href="http://www.ti.com/space-avionics-defense">www.ti.com/space-avionics-defense</a>
Video and Imaging	<a href="http://www.ti.com/video">www.ti.com/video</a>

### TI E2E Community

[e2e.ti.com](http://e2e.ti.com)