

High-Brightness Portable Lighting

Travis Eichhorn

ABSTRACT

High-power LED drivers designed for LCD monitors are also good choices for driving LEDs in general-purpose lighting applications. One such driver is the TPS61199 device, an 8-channel LED boost controller with integrated current sinks and an 8-V to 30-V input voltage range. The current in each sink can be programmed for a maximum of 70 mA. The boost-controller topology drives an external N-channel MOSFET that can handle a wide output-voltage range and inductor-current range. This allows the TPS61199 to be designed with a wide variety of white LEDs commonly used in general purpose lighting applications such as:

- 12-V Battery Power Lighting
- 18-V Battery Powered Lighting
- 24-V Battery Powered Lighting
- Marine Ambient Lighting
- Automotive Ambient Lighting

1 Application Schematic

Figure 1 shows an applications schematic that drives 8 high-brightness LEDs. The LED current is controlled in low-side current sinks at IFB1 - IFB8. The maximum current is set via the external current setting resistor (R6). The design below is set for $I_{FULL_SCALE} = 20\text{ mA}$; however, other full-scale currents can be programmed up to 70 mA. Dimming is achieved via the PWM input, but in the design PWM is tied to VDD to force the device fully on.

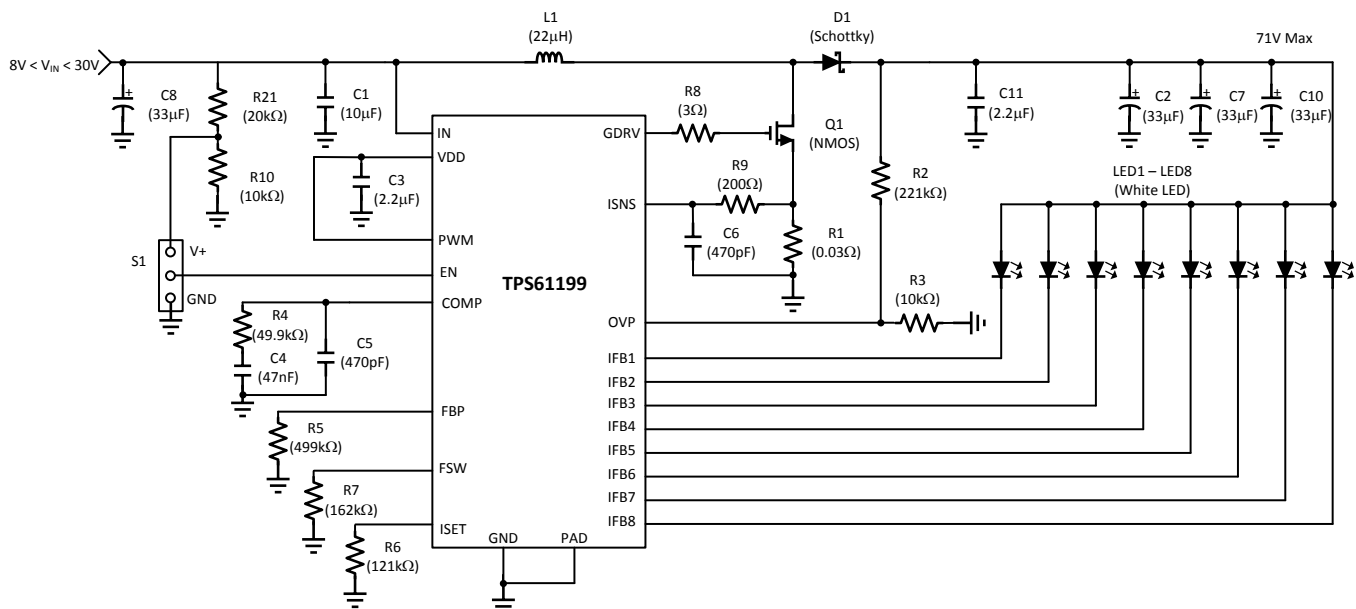


Figure 1. Applications Schematic

2 Materials List

Table 1. Bill of Materials and Component Description

DEVICE	VALUE	DESCRIPTION	PART NUMBER	SIZE	MANUFACTURER	PURPOSE
C1	10 μ F	Ceramic, 50V, X7R, 10%	Standard	1210	Standard	Bypass for IN, keep close to IN for low inductance connection
C8	33 μ F	Electrolytic, 100V, 20%	UPW2A330MP D6	8 x 11.5 mm	Nichicon	Bulk Bypass for VIN
C2, C7, C10	33 μ F	Electrolytic, 100V, 20%	UPW2A330MP D6	8 x 11.5 mm	Nichicon	Bulk Bypass for VOUT
C11	2.2 μ F	Ceramic, 100V, X7R, 20%	Standard	1206	Standard	High frequency bypass for VOUT. Keep close to D1 anode and GND for low inductance connection
C3	2.2 μ F	Ceramic, 10V, X7R, 20%	Standard	0805	Standard	Bypass capacitor for VDD
C4	47 nF	Ceramic, 25V, X7R, 10%	Standard	0603	Standard	Compensation capacitor
C5	470 pF	Ceramic, 25V, X7R, 10%	Standard	0603	Standard	Compensation capacitor
C6	470 pF	Ceramic, 25V, X7R, 10%	Standard	0603	Standard	Filter capacitor for current sense input. C6 and R9 filter the current sense signal developed across R1
D1	Schottky Diode	100 V, 5 A continuous	SSP510	TO-277	Vishay	Boost rectifier diode
L1	22 μ H	3.6 A, 43.2 m Ω	CDRH127NP-220MC	12.3 mm x 12.3 mm x 8 mm	Sumida	Boost Power Inductor. $I_{SAT} = 3.6$ A with 25% drop from nominal
Q1	NMOS Power Switch	80 V, 6 A, 35 m Ω	SI4480DY-T1-E3	SO8	Vishay	Boost Power switch. $V_{OUT_MAX} < 80$ V
R1	33 m Ω	1/2 W, 1%	Standard	1812	Standard	Current sense resistor
R2	232 k Ω	1/16 W, 1%	Standard	0603	Standard	Over Voltage Protection sense resistive divider. R2, R3 divide down VOUT to OVP sense input (2.95 V). $V_{OUT_MAX} = (R2/R3 + 1) \times 2.95$ V = 71.3 V
R3	10 k Ω	1/16 W, 1%	Standard	0603	Standard	
R12	10 k Ω	1/16 W, 1%	Standard	0603	Standard	Resistive divider from VIN to SW1, divides down VIN. The divided down voltage is used to turn the device on when S1 is toggled. $V+ = VIN \times (R10/(R10 + R21)) = (10V \text{ to } 2.66V)$
R21	20 k Ω	1/16 W, 1%	Standard	0603	Standard	
R10	10 k Ω	1/16 W, 1%	Standard	0603	Standard	Limiting resistor in case S1 is overvoltage.
R4	49.9 k Ω	1/16 W, 1%	Standard	0603	Standard	Compensation resistor
R5	499 k Ω	1/16 W, 1%	Standard	0603	Standard	LED short protection threshold setting resistor. $V_{LED_SHORT} = R5/R6 \times 1.229$ V = 5.08 V
R6	121 k Ω	1/16 W, 1%	Standard	0603	Standard	ILED max current setting resistor. $I_{LEDX} = 1.229$ V/R6 x 1990 = 20.2 mA per LED
R7	162 k Ω	1/16 W, 1%	Standard	0603	Standard	Boost frequency setting resistor. $f_{SW} = 80,000/R7$ (k Ω)
R8	3 Ω	1/16 W, 1%	Standard	0603	Standard	Gate drive filter resistor. R3 and CG of Q1 form a low pass filter for the gate drive signal.
R9	200 Ω	1/16 W, 1%	Standard	0603	Standard	Filter for current sense signal. R9 and C6 filter the current sense signal developed across R1

Table 1. Bill of Materials and Component Description (continued)

DEVICE	VALUE	DESCRIPTION	PART NUMBER	SIZE	MANUFACTURER	PURPOSE
S1	Switch	Various	Various	Various	Various	Typical switch. Low current
U1	White LED Driver	White LED Driver + Boost Controller	TPS61199PW P	20-pin HTSSOP	Texas Instruments	8-Channel Boost WLED Driver. See TPS61199 data sheet and SLVU421 for more information.
LED1-LED8	White LED	VF = 68 V max, IF = 20 mA, TA = 25°C, 180 lumens	SAW0LH0A	5 mm x 5 mm	Seoul Semiconductor	High brightness LED (total 1440 Lumens)

3 Modifications to Existing TPS61199EVM

The TPS61199 high-brightness LED lighting circuit is very similar to the TPS61199EVM. Some minor modifications have been made:

1. Added C11 to reduce the switching noise at the circuits output. This (ceramic) capacitor must be placed close to the Schottky diodes output (D1) and the GND return of the TPS61199. This reduces noise that can be conducted through the LEDs.
2. Adjusted the overvoltage protection threshold from 59.3 V to 71.3 V in order to accommodate the forward voltage of the SAW0LH0A ($V_{F_MAX} = 68$ V).
3. Adjusted the maximum current down to 20 mA.
4. Connected the PWM input directly to VDD in order to force the LED currents to 20 mA as soon as S1 is switched to V+.

4 Circuit Efficiency

[Table 2](#) shows the measured efficiency with the specified components of [Table 1](#).

Table 2. Typical Efficiency

VIN	I _{LED} (per LED, 8 Total)	VOUT	INPUT CURRENT	EFFICIENCY
8 V	21.63 mA	64.74 V	1.55 A	90.3 %
10 V	21.53 mA	64.87 V	1.229 A	91 %
12 V	21.44 mA	64.87 V	1.019A	91 %
14 V	21.25 mA	64.77 V	0.865 A	90.9 %
16 V	21.13 mA	64.77 V	0.756 A	90.5 %
18 V	21.0 mA	64.77 V	0.669 A	90.4 %
20 V	20.99 mA	64.67 V	0.6026 A	90.1 %
22 V	20.88 mA	64.65 V	0.543 A	90.4 %
24 V	20.81 mA	64.61 V	0.489 A	91.7 %
26 V	20.63 mA	64.59 V	0.456 A	90 %
28 V	20.54 mA	64.58 V	0.4237 A	89.4 %
30 V	20.48 mA	64.57 V	0.392 A	90 %

IMPORTANT NOTICE

Texas Instruments Incorporated and its subsidiaries (TI) reserve the right to make corrections, enhancements, improvements and other changes to its semiconductor products and services per JESD46, latest issue, and to discontinue any product or service per JESD48, latest issue. Buyers should obtain the latest relevant information before placing orders and should verify that such information is current and complete. All semiconductor products (also referred to herein as "components") are sold subject to TI's terms and conditions of sale supplied at the time of order acknowledgment.

TI warrants performance of its components to the specifications applicable at the time of sale, in accordance with the warranty in TI's terms and conditions of sale of semiconductor products. Testing and other quality control techniques are used to the extent TI deems necessary to support this warranty. Except where mandated by applicable law, testing of all parameters of each component is not necessarily performed.

TI assumes no liability for applications assistance or the design of Buyers' products. Buyers are responsible for their products and applications using TI components. To minimize the risks associated with Buyers' products and applications, Buyers should provide adequate design and operating safeguards.

TI does not warrant or represent that any license, either express or implied, is granted under any patent right, copyright, mask work right, or other intellectual property right relating to any combination, machine, or process in which TI components or services are used. Information published by TI regarding third-party products or services does not constitute a license to use such products or services or a warranty or endorsement thereof. Use of such information may require a license from a third party under the patents or other intellectual property of the third party, or a license from TI under the patents or other intellectual property of TI.

Reproduction of significant portions of TI information in TI data books or data sheets is permissible only if reproduction is without alteration and is accompanied by all associated warranties, conditions, limitations, and notices. TI is not responsible or liable for such altered documentation. Information of third parties may be subject to additional restrictions.

Resale of TI components or services with statements different from or beyond the parameters stated by TI for that component or service voids all express and any implied warranties for the associated TI component or service and is an unfair and deceptive business practice. TI is not responsible or liable for any such statements.

Buyer acknowledges and agrees that it is solely responsible for compliance with all legal, regulatory and safety-related requirements concerning its products, and any use of TI components in its applications, notwithstanding any applications-related information or support that may be provided by TI. Buyer represents and agrees that it has all the necessary expertise to create and implement safeguards which anticipate dangerous consequences of failures, monitor failures and their consequences, lessen the likelihood of failures that might cause harm and take appropriate remedial actions. Buyer will fully indemnify TI and its representatives against any damages arising out of the use of any TI components in safety-critical applications.

In some cases, TI components may be promoted specifically to facilitate safety-related applications. With such components, TI's goal is to help enable customers to design and create their own end-product solutions that meet applicable functional safety standards and requirements. Nonetheless, such components are subject to these terms.

No TI components are authorized for use in FDA Class III (or similar life-critical medical equipment) unless authorized officers of the parties have executed a special agreement specifically governing such use.

Only those TI components which TI has specifically designated as military grade or "enhanced plastic" are designed and intended for use in military/aerospace applications or environments. Buyer acknowledges and agrees that any military or aerospace use of TI components which have **not** been so designated is solely at the Buyer's risk, and that Buyer is solely responsible for compliance with all legal and regulatory requirements in connection with such use.

TI has specifically designated certain components as meeting ISO/TS16949 requirements, mainly for automotive use. In any case of use of non-designated products, TI will not be responsible for any failure to meet ISO/TS16949.

Products

Audio	www.ti.com/audio
Amplifiers	amplifier.ti.com
Data Converters	dataconverter.ti.com
DLP® Products	www.dlp.com
DSP	dsp.ti.com
Clocks and Timers	www.ti.com/clocks
Interface	interface.ti.com
Logic	logic.ti.com
Power Mgmt	power.ti.com
Microcontrollers	microcontroller.ti.com
RFID	www.ti-rfid.com
OMAP Applications Processors	www.ti.com/omap
Wireless Connectivity	www.ti.com/wirelessconnectivity

Applications

Automotive and Transportation	www.ti.com/automotive
Communications and Telecom	www.ti.com/communications
Computers and Peripherals	www.ti.com/computers
Consumer Electronics	www.ti.com/consumer-apps
Energy and Lighting	www.ti.com/energy
Industrial	www.ti.com/industrial
Medical	www.ti.com/medical
Security	www.ti.com/security
Space, Avionics and Defense	www.ti.com/space-avionics-defense
Video and Imaging	www.ti.com/video

TI E2E Community

e2e.ti.com