

DRA75xP, DRA74xP, DRA77xP, DRA76xP SoC for Automotive Infotainment Silicon Revision 1.0

Errata



1 Introduction	5
2 Silicon Advisories	11
3 Silicon Limitations	77
4 Silicon Cautions	89
Revision History	105

This page intentionally left blank.

This document describes the known exceptions to the functional specifications for the device.

Related Documentation

DRA75xP, DRA74xP, DRA77xP, DRA76xP SoC for Automotive Infotainment Silicon Revision 1.0 Technical Reference Manual ([SPRUJIE9](#))

DRA75xP, DRA74xP Infotainment Applications Processor Silicon Revision 1.0 Data Manual ([SPRS989](#))

DRA77xP, DRA76xP Infotainment Applications Processor Silicon Revision 1.0 Data Manual ([SPRS993](#))

DRA75xP Pin Mux Tool

DRA77xP Pin Mux Tool

DRA75xP Code Composer Chip Support Packages ([Automotive](#))

DRA77xP Code Composer Chip Support Packages ([Automotive](#))

DRA75xP Lauterbach Package

DRA77xP Lauterbach Package

Trademarks

OMAP is a trademark of Texas Instruments.

Cortex is a registered trademark of Arm Limited (or its subsidiaries) in the US and/or elsewhere.

SD is a registered trademark of Toshiba Corporation.

MMC and eMMC are trademarks of MultiMediaCard Association.

JTAG is a registered trademark of JTAG Technologies, Inc.

Linux is a registered trademark of Linus Torvalds.

All other trademarks are the property of their respective owners.

Modules Impacted

Table 1-1. Silicon Advisories, Limitations, and Cautions by Module

MODULE	DESCRIPTION	SILICON REVISIONS AFFECTED
		DRA75xP, DRA74xP, DRA77xP, DRA76xP
		1.0
NA	i781: Power Delivery Network Verification	Yes
	i862: Reset Should Use PORz	Yes
	i864: VDDS18V to VDDSHVn Current Path	Yes
	i931: VDD to VDDA_"PHY" Current Path	Yes
ATL	i933: Access to IODELAY at Same Time as Other Peripheral on L4_PER2 Can Hang	Yes
CAMSS	i709: CSI-2 Receiver Executes Software Reset Unconditionally	Yes
	i904: CSI Interface Setup/Hold Timing Does Not Meet MIPI DPHY Spec above 600MHz	Yes
Control Module	i813: Spurious Thermal Alert Generation When Temperature Remains in Expected Range	Yes
	i814: Bandgap Temperature Read Dtemp Can Be Corrupted	Yes
	i827: Thermal Alert Will Not Be Generated When Bandgap Is Configured in "Smart Idle" Mode	Yes
	i863: MMC2 Has PU/PD Contention Immediately after Release from Reset	Yes
	i869: IO Glitches Can Occur When Changing IO Settings	Yes
	i870: PCIe Unaligned Read Access Issue	Yes
	i885: Software Requirements for Data Manual IO Timing	Yes
	i900: SoC Will Hang If Region 5 Accessed While CTRL_CORE_MMR_LOCK_5 Is Locked	Yes
DCAN	i893: DCAN Initialization Sequence	Yes
	i933: Access to IODELAY at Same Time as Other Peripheral on L4_PER2 Can Hang	Yes
DEBUG	i879: DSP MStandby Requires CD_EMU in SW_WKUP	Yes
DMA	i378: sDMA Channel Is Not Disabled after a Transaction Error	Yes
	i698: DMA4 Generates Unexpected Transaction on WR Port	Yes
	i699: DMA4 Channel Fails to Continue With Descriptor Load When Pause Bit Is Cleared	Yes
DSP	i872: DSP MFlag Output Not Initialized	Yes
	i879: DSP MStandby Requires CD_EMU in SW_WKUP	Yes
	i883: DSP Doesn't Wake from Subsystem Internal Interrupts	Yes
	i898: DSP Pre-fetch Should Be Disabled before Entering Power Down Mode	Yes
DSS	i596: BITMAP1-2-4 Formats Not Supported by the Graphics Pipeline	Yes
	i631: Wrong Access in 1D Burst for YUV4:2:0-NV12 Format	Yes
	i641: Overlay Optimization Limitations	Yes
	i734: LCD1 Gamma Correction Is Not Working When GFX Pipe Is Disabled	Yes
	i815: Power Management Enhancement Implemented Inside DSS Leads to DSS Underflows	Yes
	i829: Reusing Pipe Connected to Writeback Pipeline On-the-Fly to an Active Panel	Yes
	i838: DSS BT.656/BT.1120 Max Horizontal Blanking Is Non Compliant	Yes
	i839: Some RGB and YUV Formats Have Non-Standard Ordering	Yes
	i932: DPLL_VIDEOn May Require Multiple Lock Attempts	Yes
	i936: DSS LCD/DPI Out Field Reversal in Interlaced RGB Mode	Yes
EDMA	i844: EDMA to VCP Stream Burst Is Not Functional	Yes
EMIF	i727: Refresh Rate Issue after Warm Reset	Yes ⁽¹⁾
	i729: DDR Access Hang after Warm Reset	Yes ⁽¹⁾

Table 1-1. Silicon Advisories, Limitations, and Cautions by Module (continued)

MODULE	DESCRIPTION	SILICON REVISIONS AFFECTED
		DRA75xP, DRA74xP, DRA77xP, DRA76xP
		1.0
	i878: MPU Lockup With Concurrent DMM and EMIF Accesses	Yes
eMMC/SD/SDIO	i802: MMCHS DCRC Errors During Tuning Procedure	Yes
	i803: MMCHS Read Transfer With CMD23 Never Complete When BCE=0 and ADMA Used	Yes
	i832: DLL SW Reset Bit Does Not Reset to 0 after Execution	Yes
	i834: MMCHS HS200 and SDR104 Command Timeout Window Too Small	Yes
	i836: Bus Testing Commands CMD19 Incorrectly Waits for CRC Status Return	Yes
	i856: 32k Oscillator Fails to Start-Up at POR	Yes
	i863: MMC2 Has PU/PD Contention Immediately after Release from Reset	Yes
	i890: MMC1 IOs and PBIAS Must Be Powered-Up before Isolation	Yes
	i929: MMC1/2 SDR104/HS200 Mode DLL Delay Value May Result In Unexpected Tuning Pattern Errors	Yes
GMAC_SW	i877: RGMII Clocks Should Be Enabled at Boot Time	Yes
	i899: Ethernet DLR Is Not Supported	Yes
	i903: Ethernet RMII Interface RMII_MHZ_50_CLK Not Supported as Output Reference Clock	Yes
GPIO	i856: 32k Oscillator Fails to Start-Up at POR	Yes
HDMI	i937: HDMI Transmitter is Marginal to Source Eye Mask Requirements Above 177MHz	Yes
I2C	i694: System I2C Hang Due to Miss of Bus Clear Support	Yes
	i833: I2C Module in Multislave Mode Potentially Acknowledges Wrong Address	Yes
	i930: I2C1 and I2C2 May Drive Low During Reset	Yes
INTC	i883: DSP Doesn't Wake from Subsystem Internal Interrupts	Yes
Interconnect	i871: L4_PER3 Firewall Initiator ConnID Value Left-Shift 1-Bit	Yes
McASP	i848: McASP IO Pad Loopback Not Functional	Yes
	i933: Access to IODELAY at Same Time as Other Peripheral on L4_PER2 Can Hang	Yes
MLB	i933: Access to IODELAY at Same Time as Other Peripheral on L4_PER2 Can Hang	Yes
MPU	i878: MPU Lockup With Concurrent DMM and EMIF Accesses	Yes
	i940: MPU COUNTER_REALTIME saturates after several hundred days	Yes
PCIe	i870: PCIe Unaligned Read Access Issue	Yes
	i909: PCIe Unintentional Translation of Outbound Message TLPs	Yes
	i926: PCIe Preferred PCIe_PHY_RX SCP Register Settings Updated	Yes
	i935: MSI Bit in PCIECTRL_TI_CONF_IRQSTATUS_MSI Register Does Not Clear Automatically	Yes
PRCM	i810: DPLL Controller Can Get Stuck While Transitioning to a Power Saving State	Yes
	i826: HSDIVIDER1 CLKOUT4 Could Glitch During On-the-Fly Divider Change to/from Divide-by-2.5	Yes
	i876: DVFS Only Supported on MPU	Yes
	i886: FPDLink PLL Unlocks With Certain SoC PLL M/N Values	Yes
	i892: L3 Clocks Should Be Enabled at All Times	Yes
PWMSS	i933: Access to IODELAY at Same Time as Other Peripheral on L4_PER2 Can Hang	Yes
QSPI	i912: QSPI_SPI_CMD_REG [25:24] Masked from Read in RTL	Yes
	i916: QSPI Reads Can Fail For Flash Devices with HOLD Function	Yes
SATA	i782: SATA AHCI Command Issue Order	Yes
	i783: SATA Lockup after SATA DPLL Unlock/Relock	Yes

Table 1-1. Silicon Advisories, Limitations, and Cautions by Module (continued)

MODULE	DESCRIPTION	SILICON REVISIONS AFFECTED
		DRA75xP, DRA74xP, DRA77xP, DRA76xP
		1.0
	i807: SATA Host Controller Locks Up if PIO Setup FIS Is Received and Bus Busy and Data Request Bits Are Cleared	Yes
	i808: SATA Link Locks Up Under Certain Conditions	Yes
	i809: SATA Command Does Not Complete and Software Must Issue a Port Reset Under Certain Conditions	Yes
	i818: SATA PHY Reset Required Following SATA PLL Unlock	Yes
TIMERS	i767: Delay Needed to Read Some Timer Registers after Wakeup	Yes
	i856: 32k Oscillator Fails to Start-Up at POR	Yes
	i874: TIMER5/6/7/8 Interrupts Not Propagated	Yes
UART/IrDA/CIR	i202: MDR1 Access Can Freeze UART Module	Yes
	i849: UART2_RXD Is Not Working for MUXMODE=0	Yes
	i889: UART Does Not Acknowledge Idle Request after DMA Has Been Enabled	Yes
	i933: Access to IODELAY at Same Time as Other Peripheral on L4_PER2 Can Hang	Yes
USB	i819: A Device Control Bit Meta-Stability for USB3.0 Controller in USB2.0 Mode	Yes
	i820: Unexpected USB Link State Value upon U3 Exit by USB3.0 Link	Yes
	i824: USB3.0 Link Cannot Be Established When Suspend Mode Is Enabled	Yes
	i845: USB2.0 False Detection of Disconnect Condition	Yes
	i896: USB xHCI Port Disable Feature Does Not Work	Yes
	i897: USB xHCI Stop Endpoint Command Does Not Work in Certain Circumstances	Yes
VCP	i933: Access to IODELAY at Same Time as Other Peripheral on L4_PER2 Can Hang	Yes
VIP	i839: Some RGB and YUV Formats Have Non-Standard Ordering	Yes
VPE	i839: Some RGB and YUV Formats Have Non-Standard Ordering	Yes

- (1) This erratum is considered negated on DRA75xP, DRA74xP, DRA77xP, DRA76xP SR1.0 by implementing the recommended workaround listed in the erratum description.

This page intentionally left blank.

This Chapter describes advisories for the given architecture and provides information for working with those issues.

Revisions SR 1.0 - Advisories List

i202	<i>MDR1 Access Can Freeze UART Module</i>
CRITICALITY	Medium
DESCRIPTION	Because of a glitchy structure inside the UART module, accessing the MDR1 register may create a dummy underrun condition and freeze the UART in IrDa transmission. In UART mode, this may corrupt the transferred data(received or transmitted).
WORKAROUND	<p>To ensure this problem does not occur, the following software initialization sequence must be used each time MDR1 must be changed:</p> <ol style="list-style-type: none"> 1. If needed, setup the UART by writing the required registers, except MDR1 2. Set appropriately the UART_MDR1[2:0]MODE_SELECT bit field 3. Wait for 5 L4 clock cycles + 5 UART functional clock cycles 4. Clear TX and RX FIFO in FCR register to reset its counter logic 5. Read RESUME register to resume the halted operation <p>Step 5 is for IrDA mode only and can be omitted in UART mode.</p>
REVISIONS IMPACTED	<p>SR 1.0</p> <p>AM574x: 1.0</p> <p>DRA75xP, DRA74xP, DRA77xP, DRA76xP: 1.0</p> <p>TDA2Px: 1.0</p> <p>AM576x: 1.0</p>

i378
sDMA Channel Is Not Disabled after a Transaction Error

CRITICALITY

Medium

DESCRIPTION

In case of destination synchronized transfer on the write port (or source sync with SDMA.DMA4_CCRi[25] BUFFERING_DISABLE = 1), if a transaction error is reported at the last element of the transaction, the channel is not automatically disabled by DMA.

WORKAROUND

Whenever a transaction error is detected on a transaction on the write side of the channel i, software must disable the channel(i) by setting the DMA4_CCRi[7] ENABLE bit to 0.

**REVISIONS
IMPACTED**

SR 1.0

AM574x: 1.0

DRA75xP, DRA74xP, DRA77xP, DRA76xP: 1.0

TDA2Px: 1.0

AM576x: 1.0

i631	<i>Wrong Access in 1D Burst for YUV4:2:0-NV12 Format</i>
CRITICALITY	Low
DESCRIPTION	When in YUV4:2:0 format in 1D burst, the DISPC DMA skips lines when fetching Chroma sampling.
WORKAROUND	<p>If YUV4:2:0-1D burst is required:</p> <ul style="list-style-type: none"> • Set DISPC_VIDp_ATTRIBUTES[22]DOUBLESTRIDE to 0x0 and DISPC_VIDp_ATTRIBUTES[13:12]ROTATION to 0x1 or 0x3
REVISIONS IMPACTED	<p>SR 1.0</p> <p>AM574x: 1.0</p> <p>DRA75xP, DRA74xP, DRA77xP, DRA76xP: 1.0</p> <p>TDA2Px: 1.0</p> <p>AM576x: 1.0</p>

i694
System I2C Hang Due to Miss of Bus Clear Support

CRITICALITY

Low

DESCRIPTION

There is no H/W mechanism preventing violating below I2C Bus clear standard requirement.

If the data line (SDA) is stuck LOW, the master should send 9 clock pulses. The device that held the bus LOW should release it sometime within those 9 clocks. If not, then use the HW reset or cycle power to clear the bus.

Sys_Warmreset doesn't reset the I2C IP it does at IC level.

So, once the situation is reached, IC is seeing bus busy status bit.

WORKAROUND

I2C SW handler could be programmed to detect such a locked situation. In this case, it will check the Bus Busy bit and issue the needed clock pulses.

**REVISIONS
IMPACTED**

SR 1.0

AM574x: 1.0

DRA75xP, DRA74xP, DRA77xP, DRA76xP: 1.0

TDA2Px: 1.0

AM576x: 1.0

i698***DMA4 Generates Unexpected Transaction on WR Port*****CRITICALITY**

Medium

DESCRIPTION

The DMA4 channel generates an unexpected transaction on WR port under the following 2 scenarios:

- Scenario 1
 1. Software synchronization: Bit fields SYNCHRO_CONTROL and SYNCHRO_CONTROL_UPPER are set to 0 in register DMA4_CCRi
 - Channel element number: Bit field CHANNEL_ELMNT_NBR is set to 0x9 in register DMA4_CENi
 - Channel frame number: Bit field CHANNEL_FRAME_NBR is set to 0x1 in register DMA4_CFNi
 - Element size: Bit field DATA_TYPE is set to 0x2 in register DMA4_CSDPi
 - Destination addressing mode: Bit field DST_AMODE is set to 0x1 in register DMA4_CCRi
 - Destination is packed: Bit field DST_PACKED is set to 0x1 in register DMA4_CSDPi
 - Destination endianness: Bit field DST_ENDIAN is set to 0x0 in register DMA4_CSDPi
 - Destination burst enable: Bit field DST_BURST_EN is set to 0x1 in register DMA4_CSDPi
 - Destination start address: Register DMA4_CDSAi is set to 0xabcd0000
 - Disable graphics operation: Bit fields CONSTANT_FILL_ENABLE and TRANSPARENT_COPY_ENABLE are set to 0x0 in register DMA4_CCRi

The channel has got an ERR response on the WR port before the end of block transfer. The channel has gone for clean abort and got disabled. The same channel has been configured with soft-sync and included in the channel chaining (This channel is not the head of the chain). When this channel gets enabled through the link, the channel is writing the data out as soon as it fetches the data from Read side. It is expected that the channel should go with burst transfer, but it is going for single transfers.

This results in a performance issue as DMA is executing single transfers instead of burst transfers. This performance issue is also observed while using the channel with destination synchronization and prefetch enabled.

2. Destination sync with Prefetch enabled: Bit field SEL_SRC_DST_SYNC is set to 0x0; Bit fields SYNCHRO_CONTROL_UPPER and SYNCHRO_CONTROL should not be set to 0x0; Bit field PREFETCH is set to 0x1 in register DMA4_CCRi. The other settings remain same as in use case #1 described above
- Scenario 2
 - The channel has got an ERR response on the WR port before the end of block transfer. The channel has gone for clean abort and got disabled. The same channel has been configured with destination-sync with prefetch enabled and included in the channel chaining (This channel is not the head of the chain). When this channel gets enabled through the link, the read port will start its transaction. If the HWR request to this channel comes before the channel gets its first response, the channel will start a WR transaction with byte enable 0. Also, the internal data counters get updated and the corresponding data will never come out of DMA4. The Data FIFO locations are also not recovered. This results in a Data Integrity issue.

WORKAROUND

There is a software workaround to solve this issue

1. Work around to resolve both Data Integrity and Performance issue:
 - Dummy enable-disable for an aborted Channel. i.e. on abort, configure the channel as soft sync with No of frames = 0 and enable the channel by writing 0x1 into the ENABLE bitfield of register DMA4_CCRi. Wait for the Address Misalignment Interrupt. The channel is now ready for reuse.
 - Ensure that clean drain happens for a channel that is or is to be used as part of a channel chain. i.e. ensure that the abort conditions never occur for this channel
 - If a channel gets aborted, do not reuse the channel in a chain
 - Don't use channel chaining
2. Work around to resolve the data integrity only.
Disable prefetch in all channels that are part of a channel chain

**REVISIONS
IMPACTED**

SR 1.0

AM574x: 1.0

DRA75xP, DRA74xP, DRA77xP, DRA76xP: 1.0

TDA2Px: 1.0

AM576x: 1.0

i699	<i>DMA4 Channel Fails to Continue With Descriptor Load When Pause Bit Is Cleared</i>
CRITICALITY	Low
DESCRIPTION	<p>This Bug can occur only in a channel that is part of a channel chain. If channel chaining is not used, this bug is never seen.</p> <p>An exact corner case sequence of events must occur. The sequence is:</p> <ul style="list-style-type: none"> • The channel is enabled and then aborted*. • This same channel is now configured as part of a channel chain (it should not be the head of the channel chain). • The channel is configured as "software synchronized" or "hardware synchronized at destination with prefetch enabled" • The channel gets enabled through linking. <p>* Following is the subset of abort conditions for this scenario:</p> <ul style="list-style-type: none"> • The channel is disabled in the middle of transaction and channel is not a drain candidate. • The channel gets a transaction error on write port but not at the end-of-block transaction. • The channel gets a read transaction error and is not a drain candidate.
WORKAROUND	<p>The software workaround is to configure DMA4 to be in no-standby or force-standby mode before clearing the PAUSE bit. The DMA4 can be reverted back to smart-standby mode after a certain period (after detecting DMA4_CSRi[15:15] of corresponding channel to be 0 or ensuring DMA4_CSRi[7:7] bit of corresponding channel to be 0. This ensures descriptor load completion or channel termination.</p>
REVISIONS IMPACTED	<p>SR 1.0</p> <p>AM574x: 1.0</p> <p>DRA75xP, DRA74xP, DRA77xP, DRA76xP: 1.0</p> <p>TDA2Px: 1.0</p> <p>AM576x: 1.0</p>

i709	<i>CSI-2 Receiver Executes Software Reset Unconditionally</i>
CRITICALITY	Low
DESCRIPTION	<p>Ongoing transactions may be interrupted when a software reset is performed while there is still active traffic generated by the CSI-2 receiver. Interruption of ongoing transactions typically leads to a general device hang that can only be recovered by a device reset.</p>
WORKAROUND	<p>Software must ensure that there is no ongoing traffic before performing a software reset. In particular, the CSI-2 receiver must be reset to resume normal operation after a CSI-2 FIFO overflow. There may be remaining data in the FIFO, and therefore ongoing traffic, when the software driver receives the overflow interrupt. To avoid creating a system hang, software must either:</p> <ul style="list-style-type: none"> • Wait for several 1000s of L3 cycles before performing the software reset after an overflow or • Use the ISS level software reset
REVISIONS IMPACTED	<p>SR 1.0</p> <p>DRA75xP, DRA74xP, DRA77xP, DRA76xP: 1.0</p> <p>TDA2Px: 1.0</p> <p>AM576x: 1.0</p>

i727	Refresh Rate Issue after Warm Reset
CRITICALITY	Medium
DESCRIPTION	<p>The refresh rate is programmed in the EMIF_SDRAM_REFRESH_CONTROL[15:0] REFRESH_RATE parameter and is calculated based off of the frequency of the DDR clock during normal operation.</p> <p>When a warm reset is applied to the system, the DDR clock source is set to PLL bypass frequency which is much lower than the functional frequency of operation. Due to this frequency change, upon warm reset de-assertion the refresh rate will be too low until the DDR PLL is set to the functional frequency. This could result in unexpected behavior on the memory side.</p>
WORKAROUND	<p>There are 3 possible work-around options:</p> <ol style="list-style-type: none"> 1. Use workaround as outlined in Errata i862 to convert warm reset to PORz. Warm reset will function the same as cold reset with this approach. 2. Use external circuitry to apply reset on DDR RESET# pin when warm reset is asserted. DDR contents will be erased upon warm reset with this approach. 3. When warm reset is asserted, EMIF enters idle state and switches the external SDRAM device to self-refresh mode. The external SDRAM device switches to active mode after the warm reset time RSTTIME1. For more details on this behavior, see section <i>Global Warm Reset Sequence</i> of chapter <i>Power, Reset, and Clock Management</i> of the Device TRM. <p>To work around the issue in this advisory, program the CTRL_CORE_SMA_SW_0[6] WARM_SFORCE_EN bit to 1, which extends the self-refresh of the external SDRAM device until the CTRL_CORE_SMA_SW_0[5] WARM_SFORCE bit is cleared by software. Due to the self-refresh extension of the external SDRAM device, the DDR PLL is set back to functional frequency before EMIF enters active mode. For more details on CTRL_CORE_SMA_SW_0 register fields, see the CTRL_CORE_SMA_SW_0 register description in the Device TRM.</p> <p>Note: Workaround #3 is the required workaround to preserve DDR contents during warm reset.</p>
REVISIONS IMPACTED	<p>SR 1.0</p> <p>This erratum is considered negated on DRA75xP, DRA74xP, DRA77xP, DRA76xP SR 1.0 by implementing workaround #3.</p> <p>AM574x: 1.0</p> <p>DRA75xP, DRA74xP, DRA77xP, DRA76xP: 1.0</p> <p>TDA2Px: 1.0</p> <p>AM576x: 1.0</p>

i729**DDR Access Hang after Warm Reset****CRITICALITY**

Medium

DESCRIPTION

When warm reset is asserted, EMIF will preserve the contents of the DDR by entering self-refresh. During warm reset the DDR clock source is set to a slower PLL bypass than during normal operation. This causes the following JEDEC spec violations and could result in a DDR access hang after warm reset:

- DDR clock frequency to the DDR memory is lower than the JEDEC min. clock frequency specified as tCK(avg) min parameter in the JEDEC JESD79-3F DDR3 standard.
- Upon warm reset de-assertion, DDR is taken out of self-refresh and DDR clock frequency is changed from PLL bypass to normal operating frequency. This violates the JEDEC JESD79-3F DDR3 standard that requires input clock to be stable during normal operation.

WORKAROUND

There are 3 possible work-around options:

1. Use workaround as outlined in Errata i862 to convert warm reset to PORz. Warm reset will function the same as cold reset with this approach.
2. Use external circuitry to apply reset on DDR RESET# pin when warm reset is asserted. DDR contents will be erased upon warm reset with this approach.
3. When warm reset is asserted, EMIF enters idle state and switches the external SDRAM device to self-refresh mode. The external SDRAM device switches to active mode after the warm reset time RSTTIME1. For more details on this behavior, see section *Global Warm Reset Sequence* of chapter *Power, Reset, and Clock Management* of the Device TRM.

To work around the issue in this advisory, program the CTRL_CORE_SMA_SW_0[6] WARM_SFORSCE_EN bit to 1, which extends the self-refresh of the external SDRAM device until the CTRL_CORE_SMA_SW_0[5] WARM_SFORSCE bit is cleared by software. Due to the self-refresh extension of the external SDRAM device, the DDR PLL is set back to functional frequency before EMIF enters active mode. For more details on CTRL_CORE_SMA_SW_0 register fields, see the CTRL_CORE_SMA_SW_0 register description in the Device TRM.

Note: Workaround #3 is the required workaround to preserve DDR contents during warm reset.

REVISIONS IMPACTED

SR 1.0

This erratum is considered negated on DRA75xP, DRA74xP, DRA77xP, DRA76xP SR 1.0 by implementing workaround #3.

AM574x: 1.0

DRA75xP, DRA74xP, DRA77xP, DRA76xP: 1.0

TDA2Px: 1.0

AM576x: 1.0

i734 **LCD1 Gamma Correction Is Not Working When GFX Pipe Is Disabled**

CRITICALITY High

DESCRIPTION LCD1 output supports gamma correction. The color look-up table (CLUT) is shared between the BITMAP to RGB conversion module on GFX pipeline and Gamma correction on the LCD1 output. LUT table can be loaded by SW through DISPC slave port (interconnect) or by DISPC master port using the DISPC DMA.

However, LCD1 gamma correction LUT loading is not working properly and require to enable GFX pipeline for LUT loading. Depending on the load mode (DISPC_CONFIG1[2:1] LOADMODE) used, GFX pipeline can then be disabled after 1st frame.

WORKAROUND
Table 2-1. Workaround/Load mode settings

Load Mode (DISPC_CONFIG1[2:1]LOADMODE)	GFX Enable Condition	Workaround
0x0 (load LUT and data every frame)	Always Enabled	WA1

WA1

To use gamma correction on LCD1 output, software must:

1. Enable the GFX pipeline by setting DISPC_GFX_ATTRIBUTES[0] ENABLE to 0x1.
2. Set the GFX base address (DISPC_GFX_BA_i[31:0] BA) to an accessible frame buffer.
3. Set the GFX window to minimum size by configuring the DISPC_GFX_SIZE[27:16] SIZEY and DISPC_GFX_SIZE[10:0] SIZEX bits.
4. If the GFX pipeline is not to be displayed, set GFX LYR to bottom LYR in LCD1 overlay by setting appropriate DISPC_GFX_ATTRIBUTES[27:26] ZORDER bit field and make GFX fully transparent by setting the global alpha of the GFX to 0x00 in the DISPC_GLOBAL_ALPHA[7:0] GFXGLOBALALPHA bit field.

**REVISIONS
IMPACTED**

SR 1.0

AM574x: 1.0

DRA75xP, DRA74xP, DRA77xP, DRA76xP: 1.0

TDA2Px: 1.0

AM576x: 1.0

i767	<i>Delay Needed to Read Some Timer Registers after Wakeup</i>
CRITICALITY	Medium
DESCRIPTION	<p>For GP timers:</p> <p>If a General Purpose Timer (GPTimer) is in posted mode (TSICR[2]POSTED=1), due to internal resynchronizations, values read in TCRR, TCAR1 and TCAR2 registers right after the timer interface clock (L4) goes from stopped to active may not return the expected values. The most common event leading to this situation occurs upon wake up from idle.</p> <p>GPTimer non-posted synchronization mode is not impacted by this limitation.</p> <p>For watchdog timers:</p> <p>Due to internal resynchronizations, values read in Watchdog timers WCRR registers right after the timer interface clock (L4) goes from stopped to active may not return the expected values. The most common event leading to this situation occurs upon wake up from idle. All watchdog timers support only POSTED internal synchronization mode. There is no capability to change the internal synchronization scheme to NON-POSTED by software.</p>
WORKAROUND	<p>For GP timers:</p> <p>For reliable counter read upon wakeup from IDLE state, software need to issue a non posted read to get accurate value.</p> <p>To get this non posted read, TSICR[2]POSTED needs to be set at '0' and TSICR[3]READ_MODE needs to be set at '1'.</p> <p>Note: For GP Timers 1/2/10 the TSICR[3]READ_MODE is a write only bit and reads to this register always return 0.</p> <p>For watchdog timers:</p> <p>Software has to wait at least (2 timer interface clock cycles + 1 timer functional clock cycle) after L4 clock wakeup before reading WCRR register of the Watchdog timers.</p>
REVISIONS IMPACTED	<p>SR 1.0</p> <p>AM574x: 1.0</p> <p>DRA75xP, DRA74xP, DRA77xP, DRA76xP: 1.0</p> <p>TDA2Px: 1.0</p> <p>AM576x: 1.0</p>

i782	<i>SATA AHCI Command Issue Order</i>
CRITICALITY	Low
DESCRIPTION	<p>Advanced host controller Interface (AHCI) specification defines up to 32 command slots per port.</p> <p>AHCI defines the highest priority slot as $(pSlotLoc+1) \bmod MaxSlots$, where $pSlotLoc$ is the last slot from which a command was issued and $MaxSlots$ is the number of slots per port (32 in this case).</p> <p>The device implementation treats command slot 0 as the highest-priority slot and slot 31 as the lowest-priority slot.</p> <p>Example:</p> <p>Assuming that the last command was issued from slot 17 (and SATA_PxCi[31:0] CI contained 0 at an earlier time), when SATA_PxCi[31:0] CI is set to 0xFFFF FFFF, the command issue order should be 18, 19, 20 ... 31, 0, 1, 2 ... 17.</p> <p>Instead, 0, 1, 2, 3 ... 31 are observed.</p> <p>This is a bug in the SATA controller.</p>
WORKAROUND	No workaround is available. Implementation does not conform to AHCI specifications, but it does not affect a major functionality of SATA.
REVISIONS IMPACTED	SR 1.0 AM574x: 1.0 DRA75xP, DRA74xP, DRA77xP, DRA76xP: 1.0 TDA2Px: 1.0 AM576x: 1.0

i783**SATA Lockup after SATA DPLL Unlock/Relock****CRITICALITY**

Low

DESCRIPTION

Consider the following scenario:

1. Initialize SATA.
2. Enable TX/RX PHYs, start controller DMA engine, spin up the device (SATA_PxCMD[1] SUD = 0x1).
3. Enable aggressive transitions to partial or slumber: SATA_PxCMD[26] and ALPE = 0x1 and SATA_PxCMD[27] = 0x0/0x1
4. Perform DMA/PIO transfers.
5. Wait until all commands are finished. Interface (only physical lines) should go to low power mode.
6. Check that transition to partial is complete.
7. Stop all DMA machines, set SATA_PxCMD[1] SUD bit to 0, power down the PHYs.
8. Unlock SATA DPLL (DPLLCTRL_SATA.PLL_GO[0] PLL_GO = 0x0)
9. Relock SATA DPLL (DPLLCTRL_SATA.PLL_GO[0] PLL_GO = 0x1), go out to low power mode.
10. Go to Step 2.

After the first loop, when re-executing Step 2 and spinning up the device, communication is blocked between the host and the device, and the SATA is locked up.

A simpler scenario can be used to reproduce the issue. In this case, no SATA commands are issued by the host.

1. Initialize the SATA.
2. Enable PHYs, start RX DMA engine, initiate staggered spin-up, and start TX DMA engine.
3. Read SATA status register SATA_PxTFD.
4. Stop all DMA engine, set SATA_PxCMD[1] SUD bit to 0, power down the PHYs.
5. Unlock and relock SATA DPLL (DPLLCTRL_SATA.PLL_GO[0] PLL_GO = 0x0 then DPLLCTRL_SATA.PLL_GO[0] PLL_GO = 0x1).
6. Go to Step 2.

These issues are usually encountered immediately after the first loop, although this is not always the case.

WORKAROUND

To prevent the SATA Lockup the SATA DPLL Unlock sequence must be performed as follows:

1. Unlock SATA DPLL (SATA DPLL(DPLLCTRL_SATA.PLL_GO[0] PLL_GO = 0x0)
2. Toggle SATA_PLL_SOFT_RESET bit of CTRL_CORE_SMA_SW_0 register from 0->1
3. Toggle SATA_PLL_SOFT_RESET bit of CTRL_CORE_SMA_SW_0 register from 1->0

REVISIONS IMPACTED

SR 1.0

AM574x: 1.0

DRA75xP, DRA74xP, DRA77xP, DRA76xP: 1.0

TDA2Px: 1.0

AM576x: 1.0

i802	MMCHS DCRC Errors During Tuning Procedure
CRITICALITY	Low
DESCRIPTION	<p>In UHS=I mode, the SD bus operates in high clock frequency mode and the data windows from card on CMD and DAT lines get smaller. The position of the data windows varies depending on the card and the host system. To adjust the sampling clock when SDR104/HS200 operation mode is used the MMC™/SDIO host controller supports a tuning procedure. This tuning circuit is a dedicated DLL which delays the clock signal used, for data sampling.</p> <p>DCRC error interrupts (MMCHS_STAT[21] DCRC=0x1) can occur during the tuning procedure.</p> <p>As explained in SD Host Controller Spec version 3.00 Feb 18, 2010, the controller is supposed to inhibit all interrupts except BRR (block read ready) during the tuning procedure (ET=1).</p> <p>Some DCRC interrupts occur from time to time during tuning upon CMD19 (send tuning block).</p> <p>This DCRC interrupt, occurs when the last tuning block fails (the last ratio tested).</p> <p>The root cause is that the delay from CRC check until the interrupt is asserted is bigger than the delay until assertion of the tuning end flag (which masks the interrupts); therefore, when the interrupt bit toggles, the tuning has already ended.</p>
WORKAROUND	<p>After the DCRC interrupt occurs during the tuning procedure, software should clear the interrupt before the next command is sent: (MMCHS_STAT[21] DCRC=0x1).</p> <p>Another workaround is to disable DCDR interrupt during the tuning procedure: MMCHS_IE [21] DCRC_ENABLE is set to 0x0 (masked).</p>
REVISIONS IMPACTED	<p>SR 1.0</p> <p>AM574x: 1.0</p> <p>DRA75xP, DRA74xP, DRA77xP, DRA76xP: 1.0</p> <p>TDA2Px: 1.0</p> <p>AM576x: 1.0</p>

i803	<i>MMCHS Read Transfer With CMD23 Never Complete When BCE=0 and ADMA Used</i>
CRITICALITY	Low
DESCRIPTION	<p>A data time-out (DTO) error interrupt (MMCHS_STAT[20] DTO=0x1) occurs at the end of reading transfer with CMD23. In this case, transfer completed (TC) interrupt (MMCHS_STAT[1] TC=0x1) never occurs.</p> <p>This bug appears only with following restrictive conditions:</p> <ul style="list-style-type: none"> • Use CMD23 (command used to specify number of reading and writing block) • Block count enable BCE (MMCHS_CMD[1]= 0x0) • ADMA (integrated controller DMA system engine) used • Reading transfer (writing transfer is not affected) • Only finite transfer affected. CMD12 (stop infinite transfer command) command are not affected. • Issue happens with both large block count ($>2^{16}$) and small block count ($\leq 2^{16}$) <p>Note: These conditions are used typically with UHS SD cards with 32-bit-wide CMD23 capability.</p> <p>If software is modified to skip TC occurrence and proceed with data comparison, it appears that all data was received correctly.</p>
WORKAROUND	If the card is configured to send one more block (through the CMD23 argument) compared to what is configured in the host, then the Read transfer completes correctly (in this case, no DTO, TC occurs and data is correct).
REVISIONS IMPACTED	<p>SR 1.0</p> <p>AM574x: 1.0</p> <p>DRA75xP, DRA74xP, DRA77xP, DRA76xP: 1.0</p> <p>TDA2Px: 1.0</p> <p>AM576x: 1.0</p>

i807	<i>SATA Host Controller Locks Up if PIO Setup FIS Is Received and Bus Busy and Data Request Bits Are Cleared</i>
CRITICALITY	Low
DESCRIPTION	<p>A bug in the SATA core is integrated into the SATA controller.</p> <p>The host fails to proceed when receiving a D2H PIO setup FIS with bus busy (BSY) and data request (DRQ) bits cleared.</p> <p>When the three following events occur simultaneously, the host controller fails to proceed and locks up:</p> <ul style="list-style-type: none"> • Host controller receives a PIO setup FIS (D=0/write): <ul style="list-style-type: none"> – SATA_PxIS[1] PSS = 0x1 • SATA_PxTFD[7] STS_BSY bit is cleared • SATA_PxTFD[3] STS_DRQ bit is cleared <p>The bug is due to a state-machine in the SATA core that is not well implemented for this scenario.</p> <p>A reset is required to continue communication between the host and the device.</p> <p>From a user point of view, the impact can be some latency that is seen while proceeding.</p>
WORKAROUND	<p>Implement a software time-out for locks and then issue one of the following two resets, first the least intrusive and/or more intrusive if it does not solve the lock.</p> <p>Least intrusive, software reset:</p> <ul style="list-style-type: none"> • To issue a software reset, the user must prepare two H2D register FISs into the emptied command list of the port: <ul style="list-style-type: none"> – The first FIS must have bits SRST = 0b1 and C = 0b0. The first FIS corresponding command header bits C and R are set as follows: C = 0b1 and R = 0b1. – The second FIS has bits SRST = 0b0 and C = 0b0. The second FIS corresponding command header bits C and R are set as follows: C = 0b0 and R = 0b0. <p>More intrusive, Port reset (or COMRESET):</p> <ul style="list-style-type: none"> • SATA_PxSCTL[3:0] DET = 0x1
REVISIONS IMPACTED	<p>SR 1.0</p> <p>AM574x: 1.0</p> <p>DRA75xP, DRA74xP, DRA77xP, DRA76xP: 1.0</p> <p>TDA2Px: 1.0</p> <p>AM576x: 1.0</p>

i808	SATA Link Locks Up Under Certain Conditions
CRITICALITY	Medium
DESCRIPTION	<p>A bug in the SATA core is integrated into the SATA controller.</p> <p>Due to this bug, under certain conditions, the link locks up between the host and the device and the command times out:</p> <ul style="list-style-type: none"> • SATA_PxIS[27] IFS = 0x1 (interface fatal error status) • SATA_PxSERR[23] DIAG_S = 0x1 (link sequence error) <p>Following cases can bring to these conditions (cases below are not exhaustive):</p> <ul style="list-style-type: none"> • First case: <ul style="list-style-type: none"> – D2H FIS is received; – D2H FIS SYNC-Escape is generated (Link illegal state transition/sequence error); – Link locks ups because this "bad scenario" is not well implemented; – Command times out; – Soft reset will not work because of the bug. • Second case: <ul style="list-style-type: none"> – D2H FIS PIO Read CONTp primitive is corrupted; – Link locks ups because this "bad scenario" is not well implemented; – Command times out; – Soft reset will not work because of the bug.
WORKAROUND	<p>Use a port reset (COMRESET) instead of a software reset when SATA_PxIS[27] IFS = 0x1 and SATA_PxSERR[23] DIAG_S = 0x1.</p> <p>Standard software most likely uses port reset rather than a software reset to recover from such an error.</p>
REVISIONS IMPACTED	<p>SR 1.0</p> <p>AM574x: 1.0</p> <p>DRA75xP, DRA74xP, DRA77xP, DRA76xP: 1.0</p> <p>TDA2Px: 1.0</p> <p>AM576x: 1.0</p>

i809	<i>SATA Command Does Not Complete and Software Must Issue a Port Reset Under Certain Conditions</i>
CRITICALITY	Medium
DESCRIPTION	<p>When a Device-to-Host register FIS is received from the device and the FIS length exceeds eight DWORDs, the command may not complete due to an internal receive FIFO overflow condition. As a consequence, the host controller is locked and a latency is seen.</p> <p>The length of the FIS is specified by the specification and having more is a specification violation/error case.</p> <p>The issue is how a host controller is implemented.</p>
WORKAROUND	A port reset (COMRESET) must be done to reestablish the communication between the host and the device.
REVISIONS IMPACTED	<p>SR 1.0</p> <p>AM574x: 1.0</p> <p>DRA75xP, DRA74xP, DRA77xP, DRA76xP: 1.0</p> <p>TDA2Px: 1.0</p> <p>AM576x: 1.0</p>

i810
DPLL Controller Can Get Stuck While Transitioning to a Power Saving State

CRITICALITY

Low

DESCRIPTION

Note

NOTE: The previous title for this advisory was "DPLL Controller Sticks When Left Clock Requests Are Removed"

The DPLL Controller can get stuck if it is in transition to a low power state while its M/N ratio is being programmed.

WORKAROUND

Before re-programming the M/N ratio, SW has to ensure the DPLL cannot start an idle state transition. SW can disable DPLL idling by setting the DPLL AUTO_DPLL_MODE=0 or keeping a clock request active by setting a dependent clock domain in SW_WKUP.

REVISIONS IMPACTED

SR 1.0

AM574x: 1.0

DRA75xP, DRA74xP, DRA77xP, DRA76xP: 1.0

TDA2Px: 1.0

AM576x: 1.0

i813	<i>Spurious Thermal Alert Generation When Temperature Remains in Expected Range</i>
CRITICALITY	Medium
DESCRIPTION	<p>Spurious Thermal Alert: Talert can happen randomly while the device remains under the temperature limit defined for this event to trig. This spurious event is caused by a incorrect re-synchronization between clock domains. The comparison between configured threshold and current temperature value can happen while the value is transitioning (metastable), thus causing inappropriate event generation.</p> <p>No spurious event occurs as long as the threshold value stays unchanged. Spurious event can be generated while a thermal alert threshold is modified in CTRL_CORE_BANDGAP_THRESHOLD_MPU/GPU/CORE/DSPEVE//IVA_n.</p>
WORKAROUND	<p>Spurious event generation can be avoided by performing following sequence when the threshold is modified:</p> <ol style="list-style-type: none"> 1. Disable the alert interrupt: MPU_IRQ_126 into the interrupt handler. 2. Modify Threshold. 3. Clear the interrupt (cancel potential spurious event). 4. Enable the thermal alert interrupt again into the interrupt handler.
REVISIONS IMPACTED	<p>SR 1.0</p> <p>AM574x: 1.0</p> <p>DRA75xP, DRA74xP, DRA77xP, DRA76xP: 1.0</p> <p>TDA2Px: 1.0</p> <p>AM576x: 1.0</p>

i814	<i>Bandgap Temperature Read Dtemp Can Be Corrupted</i>
CRITICALITY	Medium
DESCRIPTION	<p>Read accesses to registers listed below can be corrupted due to incorrect resynchronization between clock domains.</p> <p>Read access to registers below can be corrupted:</p> <ul style="list-style-type: none"> • CTRL_CORE_DTEMP_MPU/GPU/CORE/DSPEVE/IVA_n (n = 0 to 4) • CTRL_CORE_TEMP_SENSOR_MPU/GPU/CORE/DSPEVE/IVA_n
WORKAROUND	<p>Multiple reads to CTRL_CORE_TEMP_SENSOR_MPU/GPU/CORE/DSPEVE/IVA[9:0]: BGAP_DTEMPMPU/GPU/CORE/DSPEVE/IVA is needed to discard false value and read right value:</p> <ol style="list-style-type: none"> 1. Perform two successive reads to BGAP_DTEMP bit field. <ol style="list-style-type: none"> a. If read1 returns Val1 and read2 returns Val1, then right value is Val1. b. If read1 returns Val1, read 2 returns Val2, a third read is needed. 2. Perform third read <ol style="list-style-type: none"> a. If read3 returns Val2 then right value is Val2. b. If read3 returns Val3, then right value is Val3. <p>Note: A maximum of three reads is required. Those three reads must be performed within the delay between two consecutive measurements, otherwise, methodology is not conclusive. This delay is configured in the COUNTER_DELAY field of CTRL_CORE_BANDGAP_MASK_1.</p>
REVISIONS IMPACTED	<p>SR 1.0</p> <p>AM574x: 1.0</p> <p>DRA75xP, DRA74xP, DRA77xP, DRA76xP: 1.0</p> <p>TDA2Px: 1.0</p> <p>AM576x: 1.0</p>

i815	<i>Power Management Enhancement Implemented Inside DSS Leads to DSS Underflows</i>
CRITICALITY	Medium
DESCRIPTION	<p>An enhanced standby behavior is implemented inside DSS to avoid the usage of SW procedure, calculating the optimal DMA thresholds. This enhanced standby behavior allows DSS to go into standby even for cases where the threshold values programmed are non-optimal.</p> <p>A bug is identified in this implementation, which causes DSS underflows when DSS is in smart-standby mode and when multiple pipelines are enabled.</p> <p>An additional bit (bit 0) has been added to DISABLE_MSTANDBY_ENHANCEMENT register (physical address: 0x58001858) to enable(0x0)/disable(0x1) the enhanced standby behavior.</p>
WORKAROUND	Setting DISABLE_MSTANDBY_ENHANCEMENT[0] bit to '1' (disables the enhanced standby behavior) and prevents the occurrence of this bug.
REVISIONS IMPACTED	SR 1.0 AM574x: 1.0 DRA75xP, DRA74xP, DRA77xP, DRA76xP: 1.0 TDA2Px: 1.0 AM576x: 1.0

i818	SATA PHY Reset Required Following SATA PLL Unlock
CRITICALITY	Medium
DESCRIPTION	<p>If SATA controller is in slumber or partial low-power mode, SATA PHY is in low-power mode, and SATA 1.5 GHz PLL is relocked for any reason, the PHY receiver loses lock. In result the receiver / de-serializer is unable to produce parallel data from a correct serial source, and will not detect the attached SATA drive.</p>
WORKAROUND	<p>Workaround is to disable and re-enable both analog LDO of the transceiver, using the corresponding SW programmable bits of power control MMR: The CTRL_CORE_PHY_POWER_SATA[21:14] SATA_PWRCTL_CLK_CMD must be set to 0x0 to power down the SATA PHY TX and RX modules.</p> <p>The rest of the workaround sequence is the same as upon initial SATA PHY power-up, and includes setting above bits back to 0x2.</p>
REVISIONS IMPACTED	<p>SR 1.0</p> <p>AM574x: 1.0</p> <p>DRA75xP, DRA74xP, DRA77xP, DRA76xP: 1.0</p> <p>TDA2Px: 1.0</p> <p>AM576x: 1.0</p>

i819	<i>A Device Control Bit Meta-Stability for USB3.0 Controller in USB2.0 Mode</i>
CRITICALITY	Medium
DESCRIPTION	When USB3.0 controller core is programmed to be a USB 2.0-only device, possible hardware meta-stability on USB_DCTL[31] RUNSTOP bit causing the core to attempt high speed as well as SuperSpeed connection or completely miss the attach request.
WORKAROUND	If the requirement is to always function in USB 2.0 mode, there is no workaround. Otherwise, you can always program the USB controller core to be SuperSpeed 3.0 capable (USB_DCFG[2:0]DEVSPD = 0x4).
REVISIONS IMPACTED	SR 1.0 AM574x: 1.0 DRA75xP, DRA74xP, DRA77xP, DRA76xP: 1.0 TDA2Px: 1.0 AM576x: 1.0

i820
Unexpected USB Link State Value upon U3 Exit by USB3.0 Link

CRITICALITY

Low

DESCRIPTION

When USB3.0 link is exiting U3 state (as result of link recovery request USB_DCTL[8:5]ULSTCHNGREQ=0x8), the USB_DSTS[21:18]USBLNKST field is updated to 0xF (Reset/Resume State), which state is not a valid LTSSM state in this case.

WORKAROUND

Ignore the Reset/Resume State value (USB_DSTS[21:18]USBLNKST=0xF).

**REVISIONS
IMPACTED**

SR 1.0

AM574x: 1.0

DRA75xP, DRA74xP, DRA77xP, DRA76xP: 1.0

TDA2Px: 1.0

AM576x: 1.0

i824	<i>USB3.0 Link Cannot Be Established When Suspend Mode Is Enabled</i>
CRITICALITY	Medium
DESCRIPTION	<p>When suspend mode is enabled (USB_GUSB3PIPECTL[17]SUSPENDENABLE = 0x1), the communication between the host controller and the USB device is broken. This happens in the following two sequences:</p> <p>Sequence 1:</p> <ul style="list-style-type: none"> • Enable and configure the DWC_USB3 controller as host • Set the USB_GUSB3PIPECTL[17]SUSPENDENABLE = 0x1 and USB_GUSB2PHYCFG[6]SUSPHY = 0x1 • Connect a USB3.0 device <p>When USB3.0 device is connected there is not enough time to establish the USB3.0 link so the host controller falls back to USB2.0 mode.</p> <p>Sequence 2:</p> <ul style="list-style-type: none"> • Enable and configure the DWC_USB3 controller as host • Wait until the USB3.0 link is established • Set the USB_GUSB3PIPECTL [17]SUSPENDENABLE = 0x1 and USB_GUSB2PHYCFG [6]SUSPHY = 0x1 • Host controller initiates a transition to U3. • Wait until transition U3 is completed successfully • Host controller initiates a transition to U0. <p>The USB3.0 link cannot be reestablished and the host controller falls back to USB2.0.</p>
WORKAROUND	First set CTRL_CORE_PHY_POWER_USB[21:14]USB_PWRCTL_CLK_CMD to 0x43 then to 0x03 just after U3_EXIT state (setting the PORTSC2 in U0 by Polling on USB_PORTSC2 [8:5]PLS=RESUME) and before Recovery state.
REVISIONS IMPACTED	<p>SR 1.0</p> <p>AM574x: 1.0</p> <p>DRA75xP, DRA74xP, DRA77xP, DRA76xP: 1.0</p> <p>TDA2Px: 1.0</p> <p>AM576x: 1.0</p>

i826
HSDIVIDER1 CLKOUT4 Could Glitch During On-the-Fly Divider Change to/from Divide-by-2.5

CRITICALITY

Low

DESCRIPTION

When HSDIVIDER1/2 CLKOUT4 (CM_DIV_H14_DPLL_PER/CM_DIV_H24_DPLL_CORE[5:0]DIVHS) configuration is changed between an odd divide value and divide-by-2.5 setting, the clock output could glitch. This could result in unexpected behavior of the peripheral receiving the clock. This case impacts GPU clock.

WORKAROUND

To avoid glitch, the user can always change first to/from an even divider setting, such as divide-by-4, before reconfiguring to divide-by-2.5 or from divide-by-2.5 to an odd divider.

Sequence to switch HSDIVIDER1/2 CLKOUT4 from any odd divider to divide-by-2.5:

- Current divider setting is set to any odd divider
- Change divider setting to any even divider not exceeding maximum frequency for that clock (e.g. divide-by-4)
- Change divider setting to divide-by-2.5

Sequence to switch HSDIVIDER1/2 CLKOUT4 from divide-by-2.5 to any odd divider:

- Current divider setting is set divide-by-2.5
- Change divider setting to any even divider not exceeding maximum frequency for that clock (e.g. divide-by-4)
- Change frequency to the desired odd divider

REVISIONS IMPACTED

SR 1.0

AM574x: 1.0

DRA75xP, DRA74xP, DRA77xP, DRA76xP: 1.0

TDA2Px: 1.0

AM576x: 1.0

i829	<i>Reusing Pipe Connected to Writeback Pipeline On-the-Fly to an Active Panel</i>
CRITICALITY	Low
DESCRIPTION	<p>Any pipe connected to writeback (WB) in memory-to-memory (m2m) mode (DISPC_WB_ATTRIBUTES[19] WRITEBACKMODE=0x1) cannot be connected on the fly to an active panel when m2m operation is complete. Trying to attempt this will cause sync-lost interrupt and one corrupted frame.</p> <p>When a pipe is connected to WB pipeline in m2m mode, after m2m operation, it remains enabled. The HW does not disable the pipeline by clearing the enable bit associated with this pipeline (DISPC_VID1/2/3_ATTRIBUTES[0] ENABLE=0x0), though it disables the writeback by clearing the WB pipeline enable bit (DISPC_WB_ATTRIBUTES[0]ENABLE=0x0). If this pipe is then connected to an active panel, the connection will not be synchronized to a frame start. This will result in current frame getting corrupted and sync-lost.</p>
WORKAROUND	<p>The SW should use following exit sequence from m2m operation:</p> <ol style="list-style-type: none"> 1. When m2m operation is completed and hardware is automatically disabled writeback by setting DISPC_WB_ATTRIBUTES[0]ENABLE bit to 0x0, SW should disable the pipe connected to WB in m2m mode: DISPC_VID1/2/3_ATTRIBUTES[0] ENABLE =0x0; 2. Writeback should be re-enabled (DISPC_WB_ATTRIBUTES[0]ENABLE=0x1) and after that disabled by SW (DISPC_WB_ATTRIBUTES[0] ENABLE= 0x0); 3. The direction of the pipe to the active panel should be changed and all new programming for the pipe should be made; 4. Pipe is enabled again (DISPC_VID1/2/3_ATTRIBUTES[0] ENABLE=0x1) at the end,
REVISIONS IMPACTED	<p>SR 1.0</p> <p>AM574x: 1.0</p> <p>DRA75xP, DRA74xP, DRA77xP, DRA76xP: 1.0</p> <p>TDA2Px: 1.0</p> <p>AM576x: 1.0</p>

i834
MMCHS HS200 and SDR104 Command Timeout Window Too Small

CRITICALITY

Medium

DESCRIPTION

Under high speed HS200 and SDR104 modes, the functional clock for MMC modules will reach up to 192 MHz. At this frequency, the maximum obtainable timeout through of MMC host controller using MMCHS_SYSCTL[19:16] DTO = 0xE is $(1/192\text{MHz}) * 2^{27} = 700\text{ms}$. Commands taking longer than 700ms may be affected by this small window frame.

WORKAROUND

If the command requires a timeout longer than 700ms, then the MMC host controller command timeout can be disabled (MMCHS_CON[6]MIT=0x1) and a software implementation may be used in its place. Detailed steps as follows (in Linux®):

1. During MMC host controller probe function (omap_hsmmc.c:omap_hsmmc_probe()), inform processor that the host controller is incapable of supporting all the necessary timeouts.
2. Modify the MMC core software layer functionality so the core times out on its own when the underlying MMC host controller is unable to support the required timeout.

**REVISIONS
IMPACTED**

SR 1.0

AM574x: 1.0

DRA75xP, DRA74xP, DRA77xP, DRA76xP: 1.0

TDA2Px: 1.0

AM576x: 1.0

i849
UART2_RXD Is Not Working for MUXMODE=0

CRITICALITY

Low

DESCRIPTION

The UART2_RXD functionality does not work when the pin is configured at its default of MUXMODE=0x0 in the corresponding CTRL_CORE_PAD* register.

WORKAROUND

Use MUXMODE=0x4 setting to select UART2_RXD function instead of MUXMODE=0x0 setting. The functionality is exactly equivalent.

**REVISIONS
IMPACTED**

SR 1.0

AM574x: 1.0

DRA75xP, DRA74xP, DRA77xP, DRA76xP: 1.0

TDA2Px: 1.0

AM576x: 1.0

i856**32k Oscillator Fails to Start-Up at POR**

CRITICALITY

Medium

DESCRIPTION

The on-chip 32k oscillator fails to start up after release of power-on-reset input (porz).

SYSBOOT[9:8]=00b mode is not usable with internal 32k oscillator as the device will not boot. This means internal only oscillator frequencies of 20MHz, 27MHz or 19.2MHz may be used. Startup of 32k depends on user software writing to RTCSS GZ bit and only RTCSS can use the 32k clock (after writing GZ bit to 0), all other FUNC_32K_CLK targets (e.g. timers, mmc and gpio de-bounce) can only use SYSCLK1. Full features of RTC mode are still functional after the 32k software enables the oscillator.

WORKAROUND

Avoid SYSBOOT[9:8]=00b setting. This means internal only oscillator frequencies of 20MHz, 27MHz or 19.2MHz may be used. This also means that the 32k_FUNC clock within the device (feeding MMC, GPIO, Timers) will always come from SYSCLK1/610 and not the true 32k clock, which will only feed the RTCSS.

Note

NOTE: For legacy systems, if use of 26MHz clock is required, then SYSBOOT[9:8]=00b may be used by feeding a 32kHz clock to the rtc_osc_xi_clking32 pin from an external source. In this case, the 32k clock from the pad will also be used as 32k_FUNC clock to the device. Note: This operation is not defined by the Data Manual.

**REVISIONS
IMPACTED**

SR 1.0

AM574x: 1.0

DRA75xP, DRA74xP, DRA77xP, DRA76xP: 1.0

TDA2Px: 1.0

AM576x: 1.0

i862	<i>Reset Should Use PORz</i>
CRITICALITY	High
DESCRIPTION	<p>Power-on-reset (porz SoC input signal) is the only 100% reliable reset type. If any reset source other than porz is used, there is a chance the SoC may hang during boot after the reset source is de-asserted. Examples of other reset sources include software resets (global cold, global warm), hardware exception resets (Watchdog, Thermal Shutdown, Security violations), or the Warm Reset input (resetn SoC input). Entry into reset will be successful with these reset sources, but code execution may hang if reset is initiated by any reset source other than porz.</p> <p>Two examples: A watchdog reset will indicate a runaway code event has occurred by resetting the SoC and asserting rstoutn. A thermal shutdown reset (TSHUT) will reset the SoC and assert rstoutn which prevents the SoC from overheating. However, code execution may hang when the SoC attempts to reboot from any source other than porz (including a watchdog and thermal shutdown reset).</p> <p>Power-On-Reset (porz SoC input) is 100% reliable and can recover from the SoC hang.</p>
WORKAROUND	<p>PORz should be used for all reset occurrences.</p> <p>Two recommended implementations are provided below. Note: All reset sources will assert reset to the system via the SoC rstoutn output. This allows external visibility to software or watchdog resets, which would otherwise be invisible to components outside of the SoC. Both recommended implementations will use the rstoutn output.</p> <p><i>Implementation 1: PMIC asserts porz when rstoutn is connected to PMIC NRESWARM input</i></p> <ul style="list-style-type: none"> • When the rstoutn output from the SoC is connected to the external PMIC's NRESWARM input, the PMIC companion device approved for use with the SoC can be configured to detect the rstoutn/NRESWARM assertion and assert porz/RESET_OUT. All PMIC companion devices which have been approved for the SoC implement this feature. The feature is bootstrap selectable via one of the PMIC's BOOT pin(s). Refer to PMIC User Guide for additional details. Note: This implementation option has no added cost to the customer since the SoC must be used with one of the approved PMIC devices. • To implement the workaround: <ul style="list-style-type: none"> – Connect the rstoutn output from the SoC to the PMIC's NRESWARM input (and to any other components that need to reset when the SoC undergoes a reset). Note: When the rstoutn output is operating in 3.3V mode, a 3.3 volt to 1.8 volt level translator will be required to level shift the rstoutn output connected to the PMIC's NRESWARM input to 1.8 volts. – Pull-up the appropriate PMIC BOOTx pin, to configure the PMIC's RESET_OUT to assert porz on warm reset. – The PMIC's POWERHOLD (GPIO7) input must be pulled high. • Example use cases for this implementation include: <ul style="list-style-type: none"> – A switch connected to the PMIC's POWERHOLD input is used to turn the board on/off. – The PMIC applies power to the SoC as soon as the board is powered when the POWERHOLD input is tied high to an always-on supply LDOVRTC_OUT. – The PMIC applies power to the SoC once the PWRON input is pulled low by pressing a normally open push-button switch when the POWERHOLD input is pulled high by one of the supplies enabled during device start-up. • The side effects/risks of this implementation include:

- This implementation does not allow software to shut down the PMIC outputs that power the SoC. Only the PMIC RESET_IN can shut down the PMIC outputs while POWERHOLD is pulled high.
- Risk of exceeding the 200 hour limit defined by Advisory i863, if the PMIC applies power with eMMC in contention longer than 200 hours.

Implementation 2: Additional circuit implemented that generates porz without PMIC support

- This implementation enables software shutdown of the PMIC since the PMIC's POWERHOLD input remains low during operation.
- To implement the workaround:
 - Pull-down the appropriate PMIC's BOOTx input.
 - Use an external circuit that generates a finite length active low pulse to porz when the circuit detects the assertion of rstoutn. This feedback path from rstoutn through the pulse generating circuit to porz insures any reset source other than porz generates a valid reset for the SoC.
- Example use cases for this implementation include:
 - A normally open push button switch (on the system board) connected to the PMIC's PWRON input is used to initiate PMIC applying power to the device.
 - Software writes to the PMIC registers to power off the device.
- The benefits/side effects of this implementation include:
 - This implementation allows software to shut down the PMIC since the PMIC's POWERHOLD input remains low during operation.
 - Reduces the risk described in Advisory i863. This implementation will automatically shut-off power to the SoC seven seconds after the PMIC's PWRON event unless software writes to appropriate registers to remove contention from the eMMC signals before writing to appropriate PMIC registers that allows the SoC to remain powered.

Other implementations are also possible. For instance, an external watchdog timer could be implemented to assert porz when the SoC becomes unresponsive.

In general, any valid workaround that generates a porz whenever any reset is initiated has the following side effects:

- Reset status information is lost in PRM_RSTSTAT register.
 - Visibility into the cause of the last reset is lost. To maintain some visibility software may be able to store information in PMIC BACKUP or other PMIC registers.
- Ethernet Reset isolation feature is not supported.
- Boot device reordering on warm reset is not supported.

The workaround has the advantage of guaranteeing the entire SoC is in a known good and consistent state for every reboot. For example, there are no software residual effects due to watchdog warm reset.

**REVISIONS
IMPACTED**

This erratum is fixed on DRA75xP, DRA74xP, DRA77xP, DRA76xP SR 1.0. However, the i862 workaround may still be required for some use cases. Refer to i727 and i729 for more details.

AM574x: 1.0

DRA75xP, DRA74xP, DRA77xP, DRA76xP: 1.0

TDA2Px: 1.0

AM576x: 1.0

i863**MMC2 Has PU/PD Contention Immediately after Release from Reset****CRITICALITY**

High

DESCRIPTION

If SYSBOOT15=0, the MMC2_DAT[x] terminals have internal weak pull-down resistors (PD) in the range of 8 kΩ ~ 36 kΩ (1.8 V) or 9 kΩ ~ 82 kΩ (3.3 V) which are turned on by default immediately after the device has been released from reset. The JEDEC eMMC standard requires external weak pull-up resistors (PU) on eMMC CMD and DAT signals, and internal weak pull-up resistors on DAT[7-0] terminals of eMMC devices to prevent inputs from floating. The external resistors are in the range of 4.7 kΩ ~ 100 kΩ and the internal eMMC device resistors are in the range of 10 kΩ ~ 150 kΩ. After reset, these weak pull-up resistors contradict the internal pull state of the device and presents a PU/PD contention on the eMMC DAT signals; this may lead to reliability issues if not handled properly.

If SYSBOOT15=1, the internal weak pull-down resistors (PD) of the MMC2 DAT[x] terminals are permanently disabled. Refer to the TRM section “**Permanent PU/PD disabling**” for details.

PU/PD Contention Reliability Issue:

The PU/PD contention applies a mid-supply voltage to the input buffer which may cause excessive current to flow through the input buffer. In this scenario, both FETs (PMOS/ NMOS) in the input buffer are partially turned ON, resulting in a current path from VDD through the input buffer to VSS. Total leakage power during this state may be up to 800 μA per input buffer operating at 1.8 V, or up to 2 mA per input buffer operating at 3.3 V. Hysteresis on the input buffers prevents the noise from causing the input logic level to change state, but it does not prevent the current path.

To maintain system reliability, SW should minimize the duration eMMC DAT lines spend in this invalid state.

WORKAROUND

SW should minimize the time eMMC DAT terminals spend in the PU/PD contention state to a maximum of 200 hours in a device life cycle.

If SYSBOOT15=0 this is done by configuring MMC pinmux configuration to turn off the internal pull-down resistors as early as possible in secondary boot loader (SBL, i.e. the initial software image loaded by the device’s ROM boot loader; one that is responsible for loading subsequent boot images or the main OS). If external pulls are not implemented on the PCB, then the internal PU on eMMC DAT signals should be enabled simultaneously. Alternately, if external pulls are implemented (as recommended by the JEDEC JESD84-B451) the internal pull resistors can be disabled. SW should take care of writing the below values in the listed registers-bit fields:

```

CTRL_CORE_PAD_GPMC_A24[3:0] = 1 ; mmc2_dat0
CTRL_CORE_PAD_GPMC_A24[16] = 0 ; Enables weak Pull Up/Down
CTRL_CORE_PAD_GPMC_A24[17] = 1 ; Pull Up is selected
CTRL_CORE_PAD_GPMC_A24[18] = 1 ; Receive Mode is Enabled
CTRL_CORE_PAD_GPMC_A24[19] = 0 ; Fast slew is selected
CTRL_CORE_PAD_GPMC_A25[3:0] = 1 ; mmc2_dat1
CTRL_CORE_PAD_GPMC_A25[16] = 0 ; Enables weak Pull Up/Down
CTRL_CORE_PAD_GPMC_A25[17] = 1 ; Pull Up is selected
CTRL_CORE_PAD_GPMC_A25[18] = 1 ; Receive Mode is Enabled
CTRL_CORE_PAD_GPMC_A25[19] = 0 ; Fast slew is selected
CTRL_CORE_PAD_GPMC_A26[3:0] = 1 ; mmc2_dat2
CTRL_CORE_PAD_GPMC_A26[16] = 0 ; Enables weak Pull Up/Down
CTRL_CORE_PAD_GPMC_A26[17] = 1 ; Pull Up is selected
CTRL_CORE_PAD_GPMC_A26[18] = 1 ; Receive Mode is Enabled
CTRL_CORE_PAD_GPMC_A26[19] = 0 ; Fast slew is selected
CTRL_CORE_PAD_GPMC_A27[3:0] = 1 ; mmc2_dat3
CTRL_CORE_PAD_GPMC_A27[16] = 0 ; Enables weak Pull Up/Down

```

```

CTRL_CORE_PAD_GPMC_A27[17] = 1 ; Pull Up is selected
CTRL_CORE_PAD_GPMC_A27[18] = 1 ; Receive Mode is Enabled
CTRL_CORE_PAD_GPMC_A27[19] = 0 ; Fast slew is selected
CTRL_CORE_PAD_GPMC_A19[3:0] = 1 ; mmc2_dat4
CTRL_CORE_PAD_GPMC_A19 [16] = 0 ; Enables weak Pull Up/Down
CTRL_CORE_PAD_GPMC_A19 [17] = 1 ; Pull Up is selected
CTRL_CORE_PAD_GPMC_A19 [18] = 1 ; Receive Mode is Enabled
CTRL_CORE_PAD_GPMC_A19 [19] = 0 ; Fast slew is selected
CTRL_CORE_PAD_GPMC_A20[3:0] = 1 ; mmc2_dat5
CTRL_CORE_PAD_GPMC_A20[16] = 0 ; Enables weak Pull Up/Down
CTRL_CORE_PAD_GPMC_A20[17] = 1 ; Pull Up is selected
CTRL_CORE_PAD_GPMC_A20[18] = 1 ; Receive Mode is Enabled
CTRL_CORE_PAD_GPMC_A20[19] = 0 ; Fast slew is selected
CTRL_CORE_PAD_GPMC_A21[3:0] = 1 ; mmc2_dat6
CTRL_CORE_PAD_GPMC_A21[16] = 0 ; Enables weak Pull Up/Down
CTRL_CORE_PAD_GPMC_A21[17] = 1 ; Pull Up is selected
CTRL_CORE_PAD_GPMC_A21[18] = 1 ; Receive Mode is Enabled
CTRL_CORE_PAD_GPMC_A21[19] = 0 ; Fast slew is selected
CTRL_CORE_PAD_GPMC_A22[3:0] = 1 ; mmc2_dat7
CTRL_CORE_PAD_GPMC_A22[16] = 0 ; Enables weak Pull Up/Down
CTRL_CORE_PAD_GPMC_A22[17] = 1 ; Pull Up is selected
CTRL_CORE_PAD_GPMC_A22[18] = 1 ; Receive Mode is Enabled
CTRL_CORE_PAD_GPMC_A22[19] = 0 ; Fast slew is selected

```

The 200 hours can be distributed any way throughout the lifetime of a device, and can be one instance of 200 hours or any number of occurrences totaling 200 hours.

If SYSBOOT15=1 then no software workaround is required since the internal pulls are permanently disabled. Note that external pull-up resistors on the MMC data bus are mandatory in this case. It is OK if the software workaround remains since accesses to configure the internal pulls has no effect.

REVISIONS IMPACTED

SR 1.0 (if SYSBOOT15=0, as described in i863 above)

AM574x: 1.0

DRA75xP, DRA74xP, DRA77xP, DRA76xP: 1.0

TDA2Px: 1.0

AM576x: 1.0

i869
IO Glitches Can Occur When Changing IO Settings
CRITICALITY

Medium

DESCRIPTION

Glitches up to multiple nano-seconds in length can occur on a Device IO when changing the IO setting via either of the below methods:

1. Changing the value of the MUXMODE, DELAYMODE or MODESELECT fields of the corresponding CTRL_CORE_PAD_* register.
2. Changing the value of the CFG*_IN, CFG*_OEN, and CFG*_OUT registers in the IODELAYCONFIG Module.

WORKAROUND

To workaround this issue, the Device LVCMOS IOs should be placed into Isolation mode when changing the IO settings as described above. Refer to the Device TRM section "Isolation Requirements" for more details.

**REVISIONS
IMPACTED**

SR 1.0

AM574x: 1.0

DRA75xP, DRA74xP, DRA77xP, DRA76xP: 1.0

TDA2Px: 1.0

AM576x: 1.0

i870
PCIe Unaligned Read Access Issue

CRITICALITY

Medium

DESCRIPTION

Access to the PCIe slave port that are not 32-bit aligned will result in incorrect mapping to TLP Address and Byte enable fields. Therefore, byte and half-word accesses are not possible to byte offset 0x1, 0x2, or 0x3.

WORKAROUND

To workaround this issue, there are two options:

1. Avoid issuing read accesses to the PCIe slave port that are not 32-bit aligned
2. Set the PCIE_SS1_AXI2OCP_LEGACY_MODE_ENABLE and PCIE_SS2_AXI2OCP_LEGACY_MODE_ENABLE bits to 0x1 in the CTRL_CORE_SMA_SW_7 Control Module register. This will make all Read TLPs 32-bit aligned with all byte enables set to 1.

**REVISIONS
IMPACTED**

SR 1.0

AM574x: 1.0

DRA75xP, DRA74xP, DRA77xP, DRA76xP: 1.0

TDA2Px: 1.0

AM576x: 1.0

i871**L4_PER3 Firewall Initiator ConnID Value Left-Shift 1-Bit****CRITICALITY**

Low

DESCRIPTION

The initiator ConnID value is used for configuring Firewall to setup the protection of target IPs. The Technical Reference Manual Table "L4 ConnID Definition" is correct for L4_CFG, L4_PER1, L4_PER2, and L4_WKUP. However, the L4_PER3 initiator ConnID value propagated from L3 interconnect is left-shifted by 1-bit comparing to the other L4 instances. As a result, the L4_PER3 firewall uses ConnIDx2 to determine the permission of each initiator accessing L4_PER3 targets. L4_PER3 firewall also logs error with ConnIDx2 value when violations occur.

Due to ConnID value left-shifted by 1-bit, the default Protection Group Member, defined by L4_AP_PROT_GROUP_MEMBERS_0_L register, will only enable the initiators with ConnID < 8 for L4_PER3 access since the upper 16-bits are all 0s after reset. The initiators with ConnID >= 8 won't be able access L4_PER3 targets out of reset. User has to program the protection group register to enable the access to L4_PER3 targets for those initiators.

WORKAROUND

To configure the L4_PER3 firewall protection correctly, use ConnIDx2 to program protection group and identify the initiator that caused the error. Refer to the below table for L4_PER3 ConnID values.

Table 2-2. ConnID Values

ConnID per TRM (hex)	ConnID For L4_PER3 FW (decimal)	CONNID_BIT_VECTOR For L4_PER3 FW	Initiator ⁽¹⁾
0	0	BIT 0	Cortex-A15 MPU subsystem
1	2	BIT 2	Debug subsystem
2	4	BIT 4	DSP1 subsystem (CFG, EDMA, MDMA), DSP2 (EDMA)
3	6	BIT 6	IVAHD, DSP2 (CGF, MDMA)
4	8	BIT 8	EVE1, EVE2, EVE3, EVE4
5	10	BIT 10	PRU-ICSS1, PRU-ICSS2
6	12	BIT 12	IPU1/2, SYSTEM_DMA
7	14	BIT 14	EDMA
8	16	BIT 16	DSS, MLB, MMU1, MMU2, PCIE1 and PCIE2
9	18	BIT 18	VIP1, VIP2, VIP3, VPE
A	20	BIT 20	MMC1, MMC2, GPU, BB2D, GMAC
B	22	BIT 22	USB1, USB2, USB3, USB4
C	24	BIT 24	SATA

(1) For the list of active initiators and supported modules, please refer to the specific Device TRM and Device Data Manual.

REVISIONS IMPACTED

SR 1.0

AM574x: 1.0

DRA75xP, DRA74xP, DRA77xP, DRA76xP: 1.0

TDA2Px: 1.0

AM576x: 1.0

i872**DSP MFlag Output Not Initialized****CRITICALITY**

Medium

DESCRIPTION

The DSP1 and DSP2 Subsystems include MFlag output signals that are under DSP software control and are used to control arbitration at various points in the system interconnect, including in the DMM and EMIF command queues.

Each DSP subsystem's MFlag output signal is uninitialized in hardware until the DSP is powered up and clocked, and can default to a value of either 0 or 1. This can have unanticipated and non-deterministic effects on system traffic dependent on the power-on state of the MFlag signals.

WORKAROUND

In order to ensure that a known value is driven by the DSP's MFlag outputs, software should power-up the DSP(s) and enable the clocks for a brief time. After the DSP is enabled, it can immediately be disabled if desired. Once the DSP is enabled and clocked the MFlag output will be 0.

The sequence to perform a DSPn enable and then power down is as below:

```

/* Start a SW force wakeup for DSPSS */
WR_MEM_32(CM_DSPn_CLKSTCTRL, 0x2);

/* Enable DSPSS clock */
WR_MEM_32(CM_DSPn_DSPn_CLKCTRL, 0x1);

/* Reset de-assertion for DSP SS logic */
WR_MEM_32(RM_DSPn_RSTCTRL, 0x1);
/* Wait till module is functional*/
while ((RD_MEM_32(CM_DSPn_DSP_CLKCTRL) & 0x30000) != 0x0 or TIMEOUT(100ms));
/* Make the DSPn CLK CTRL to HW auto */
WR_MEM_32(CM_DSPn_CLKSTCTRL, 0x3);
/* Make the DSPn POWER domain to go to power off mode */
WR_MEM_32(PM_DSPn_PWRSTCTRL, (RD_MEM_32(PM_DSPn_PWRSTCTRL) & 0xFFFFFFF0));
/* Disable DSPSS Clock */
WR_MEM_32(CM_DSPn_DSPn_CLKCTRL, 0x0);
/* Reset assertion for DSP SS logic */
WR_MEM_32(RM_DSPn_RSTCTRL, 0x3);

```

This sequence should be performed even for devices where one or both DSPs are not supported.

The timeout value shown in the while loop is recommended as a software best practice. The poll for completion should always succeed before the timeout expires.

**REVISIONS
IMPACTED**

SR 1.0

AM574x: 1.0

DRA75xP, DRA74xP, DRA77xP, DRA76xP: 1.0

TDA2Px: 1.0

AM576x: 1.0

i874	<i>TIMER5/6/7/8 Interrupts Not Propagated</i>
<hr/>	
CRITICALITY	Low
DESCRIPTION	<p>When TIMER5, TIMER6, TIMER7, or TIMER8 clocks are enabled (CM_IPU_TIMER5/6/7/8_CLKCTRL[0:1]MODULEMODE=0x2:ENABLE) and the CD-IPU is in HW_AUTO mode (CM_IPU_CLKSTCTRL[0:1]CLKTRCTRL=0x3:HW_AUTO) the corresponding TIMER will continue counting, but enabled interrupts will not be propagated to the destinations (MPU, DSP, etc) in the SoC until the TIMER registers are accessed from the CPUs (MPU, DSP etc.). This can result in missed timer interrupts.</p>
WORKAROUND	<p>In order for TIMER5/6/7/8 interrupts to be propagated and serviced correctly the CD_IPU domain should be set to SW_WKUP mode (CM_IPU_CLKSTCTRL[0:1]CLKTRCTRL=0x2:SW_WKUP)</p>
REVISIONS IMPACTED	<p>SR 1.0 AM574x: 1.0 DRA75xP, DRA74xP, DRA77xP, DRA76xP: 1.0 TDA2Px: 1.0 AM576x: 1.0</p>

i878	<i>MPU Lockup With Concurrent DMM and EMIF Accesses</i>
CRITICALITY	High
DESCRIPTION	<p>The MPU has two primary paths to DDR and system address space via the MPU Memory Adapter (MPU_MA).</p> <p>The Low Latency path is the predominant path for DDR accesses and provides direct/low latency/interleaved access to the two EMIFs.</p> <p>The L3 Interconnect path (via MPU_AXI2OCP bridge) is most typically used for access to non-DDR address space, but is also used for access to DMM and EMIF control registers and to Tiled regions of DDR address space.</p> <p>Issue is seen to come when there is a heavy memory access through the MPU L3 path, if the MPU is concurrently issuing write transactions via the Low Latency path to DDR and via the L3 Interconnect to the DMM/EMIF/Tiler address space then the transactions can hang and the MPU and DMM/DDR become unresponsive. A device reset is required in order to recover from this condition.</p>
WORKAROUND	<p>In order to completely avoid the issue, the MPU can avoid concurrent accesses to the DMM/EMIF/DDR address space via the Low Latency path and the L3 Interconnect path. In order to accomplish this, the MPU should avoid use of the L3 Interconnect path via the MPU by using DSP, IPU, or DMA to proxy accesses to the EMIF/DMM registers or Tiler DDR address space.</p> <p>In order to greatly reduce the probability of the issue occurring, the MPU_MA register at 0x482AF400 bits 2 and 1 can be set, that is, 0x482AF400 = 0x6. With this setting of MPU_MA register, the 3 different heavily loaded application scenario which earlier reproduced the issue was seen working fine for long duration testing.</p> <p>Note: The MPU_MA register is a valid register address location even though it is located outside the MPU memory space as specified in the device TRM.</p>
REVISIONS IMPACTED	<p>SR 1.0</p> <p>AM574x: 1.0</p> <p>DRA75xP, DRA74xP, DRA77xP, DRA76xP: 1.0</p> <p>TDA2Px: 1.0</p> <p>AM576x: 1.0</p>

i879
DSP MStandby Requires CD_EMU in SW_WKUP

CRITICALITY

Low

DESCRIPTION

Issue is seen to come when there is need to place the DSP subsystem to a low power state.

The DSP requires the internal emulation clock to be actively toggling in order to successfully enter a low power mode via execution of the IDLE instruction and PRCM MStandby/Idle handshake. This assumes that other prerequisites and software sequence are followed.

WORKAROUND

The CD_EMU domain can be set in SW_WKUP mode via the CM_EMU_CLKSTCTRL[1:0]CLKTRCTRL field.

The emulation clock to the DSP is free-running anytime CCS is connected via JTAG® debugger to the DSP subsystem or when the CD_EMU clock domain is set in SW_WKUP mode.

Note: If it is sure that the DSP would never enter any low power state (in other words the DSP would never execute IDLE instruction), the workaround can be ignored.

**REVISIONS
IMPACTED**

SR 1.0

AM574x: 1.0

DRA75xP, DRA74xP, DRA77xP, DRA76xP: 1.0

TDA2Px: 1.0

AM576x: 1.0

i883	<i>DSP Doesn't Wake from Subsystem Internal Interrupts</i>
CRITICALITY	Medium
DESCRIPTION	<p>When the C66x DSP CorePac enters a low power state (via the IDLE instruction and setting the Power-Down Controller Command Register (PDCCMD) bit 16) and the DSP subsystem remains active (e.g., EDMA is still active), the DSP should be able to wake from any interrupt source including EDMA completion interrupts.</p> <p>However, the DSP Internal IRQs (mapped to evt_in[31:16]) are unable to wake the DSP from a sleep/IDLE state, whereas DSP External IRQs (from the SoC IRQ_Crossbar) (mapped to evt_in[95:32]) are able to wake the DSP.</p>
WORKAROUND	<p>The EDMA Completion Interrupts (DSPi_IRQ_TPCC_REGION[7:0] and DSPi_IRQ_TPCC_GLOBAL) are mapped to DSP Internal IRQs, and are also provided as outputs from the DSP subsystem and are mapped as inputs to the IRQ_CROSSBAR.</p> <p>In order to allow the C66x DSP CorePac to wake from a low power state when a subsystem EDMA interrupt is asserted, the desired interrupt can be mapped via the IRQ_CROSSBAR to one of the DSP External IRQs.</p>
REVISIONS IMPACTED	<p>SR 1.0</p> <p>AM574x: 1.0</p> <p>DRA75xP, DRA74xP, DRA77xP, DRA76xP: 1.0</p> <p>TDA2Px: 1.0</p> <p>AM576x: 1.0</p>

i889***UART Does Not Acknowledge Idle Request after DMA Has Been Enabled***

CRITICALITY

Medium

DESCRIPTION

All UART modules in the SoC do not acknowledge an idle request after enabling the module's DMA feature, even if the DMA is subsequently disabled. Thus, the UART module cannot be clock idled after enabling DMA with

- UART_SCR.DMA_MODE_CTL = 1 and UART_SCR.DMA_MODE_2 != 0
- OR
- UART_SCR.DMA_MODE_CTL = 0 and UART_FCR.DMA_MODE = 1

A consequence of this is that UARTx_CLKCTRL will remain in transition when trying to disable the module (UARTx_CLKCTRL = 0x10000) and the associated CLKACTIVITY bit will remain active.

WORKAROUND

Initiating a soft reset (UART_SYSC.SOFTRESET = 1) will allow the module to acknowledge the idle request.

**REVISIONS
IMPACTED**

SR 1.0

AM574x: 1.0

DRA75xP, DRA74xP, DRA77xP, DRA76xP: 1.0

TDA2Px: 1.0

AM576x: 1.0

i890	<i>MMC1 IOs and PBIAS Must Be Powered-Up before Isolation</i>
CRITICALITY	Medium
DESCRIPTION	IO Isolation, as described in TRM section “Isolation Requirements”, may fail if the MMC1 IOs and PBIAS are not powered-up.
WORKAROUND	Power-up the MMC1 IOs and PBIAS before starting the Isolation Sequence. This can be done by setting the CTRL_CORE_CONTROL_PBIAS[27] SDCARD_BIAS_PWRDNZ and CTRL_CORE_CONTROL_PBIAS[26] SDCARD_IO_PWRDNZ bits to 1.
REVISIONS IMPACTED	SR 1.0 AM574x: 1.0 DRA75xP, DRA74xP, DRA77xP, DRA76xP: 1.0 TDA2Px: 1.0 AM576x: 1.0

i893**DCAN Initialization Sequence****CRITICALITY**

Low

DESCRIPTION

If the DCAN module is allowed to enter/exit clock-gated mode dynamically while traffic is present on the DCAN interface (even if the traffic is not to/from the SoC) then the DCAN module and PRCM handshake state machines can become out of sync resulting in the DCAN module hanging.

WORKAROUND

In order to cleanly initialize the DCAN module the following sequence should be followed. Steps 1 and 2 can happen in any order, but should occur before Step 3.

1. Configure the DCAN module's clock domain in SW_WKUP mode
 - DCAN1: CM_WKUPAON_CLKSTCTRL.CLKTRCTRL = 0x2
 - DCAN2: CM_L4PER2_CLKSTCTRL.CLKTRCTRL= 0x2
2. Configure CD_L4_CFG for NO_SLEEP mode
 - CM_L4CFG_CLKSTCTRL.CLKTRCTRL = 0x0
3. Execute RAM Init Sequence:
 - Mask the RX input via pinmux configuration
 - Select default/gpio function instead of dcan rx. Specific register and MUXMODE value depends on pin-mux used on the board
 - For DCAN1 muxed with WAKEUP0:
CTRL_CORE_PAD_WAKEUP0.MUXMODE = 0xF
 - Enable DCAN module
 - DCAN1: CM_WKUPAON_DCAN1_CLKCTRL.MODULEMODE = 0x2
 - DCAN2: CM_L4PER2_DCAN2_CLKCTRL.MODULEMODE = 0x2
 - Perform RAM_INIT sequence
 - DCAN1: CTRL_CORE_CONTROL_IO_2.DCAN1_RAMINIT_START = 0x1
 - DCAN2: CTRL_CORE_CONTROL_IO_2.DCAN2_RAMINIT_START = 0x1
 - Poll for CTRL_CORE_CONTROL_IO_2.DCAN1_RAMINIT_DONE and DCAN2_RAMINIT_DONNE
 - Enable RX input via pin mux configuration
 - Select dcan_rx function
 - Specific register and MUXMODE value depends on pin-mux used on the board
 - For DCAN1 muxed with WAKEUP0:
CTRL_CORE_PAD_WAKEUP0.MUXMODE = 0x1

REVISIONS IMPACTED

SR 1.0

AM574x: 1.0

DRA75xP, DRA74xP, DRA77xP, DRA76xP: 1.0

TDA2Px: 1.0

AM576x: 1.0

i896
USB xHCI Port Disable Feature Does Not Work
CRITICALITY

Low

DESCRIPTION

USB software would typically disable the port if the attached device is behaving incorrectly or has become unresponsive. Due to the bug if the port is disabled using the PED bit in the PORTSC register, it subsequently fails to detect any detach/attach events. In other words, if the attached device were to be disconnected after it has been disabled using PED bit, the USB controller will be unable to detect and report it. This issue only applies to HighSpeed mode.

WORKAROUND

Option 1: If possible, use of Port Disable should be completely avoided. Since its use is only in error scenarios for eg. unresponsive devices, this is feasible.

Option 2: Instead of disabling the port, power off the port using PP and then power it back on. Now the port can detect attach/detach events again. To ensure that same scenario does not occur over and over, the erroneous device must be removed before attempting to recognize and enumerate a device again.

**REVISIONS
IMPACTED**

SR 1.0

AM574x: 1.0

DRA75xP, DRA74xP, DRA77xP, DRA76xP: 1.0

TDA2Px: 1.0

AM576x: 1.0

i897***USB xHCI Stop Endpoint Command Does Not Work in Certain Circumstances*****CRITICALITY**

Low

DESCRIPTION

USB xHCI Stop Endpoint feature can, in addition to other scenarios, be used to recover from a situation where a particular endpoint of the attached device has become unresponsive due to various reasons. By stopping the endpoint, the xHCI host would normally stop all ongoing communication with the said endpoint. Other endpoints are not affected.

Due to the bug, in the following scenario, the Stop Endpoint will not function correctly:

- USB Controller connected to a Highspeed hub through zero or more hubs.
- FullSpeed device connected to any of the above hubs.
- Assume the USB Controller has already enumerated the Hub.
- USB Controller now starts to enumerate the FullSpeed device. In the Address Device step, BSR is set to 1.
- Next it performs GetDescriptor (device not addressed yet since BSR=1).
- - Suppose that the FullSpeed device has is faulty and does not respond to the GetDescriptor Setup stage.
- The GetDescriptor is now stuck in CSPLIT-SETUP-NYET.
- At this point the application intends to recover from this error.

The Stop Endpoint when issued at this point never completes and the xHCI Controller will continuous send the CSPLIT-SETUP command since it never receives an ACK. In addition an attempt to abort the command using the CA bit in CRCR register also does not succeed.

WORKAROUND

Option 1: In the Address Device command set BSR=0 so that SET_ADDRESS command is actually executed before GetDescriptor.

Option 2: Instead of Stop Endpoint, perform the Disable Slot command. The difference from Stop Endpoint is that this command shall stop all endpoints and interfaces associated with the device.

REVISIONS IMPACTED

SR 1.0

AM574x: 1.0

DRA75xP, DRA74xP, DRA77xP, DRA76xP: 1.0

TDA2Px: 1.0

AM576x: 1.0

i898	<i>DSP Pre-fetch Should Be Disabled before Entering Power Down Mode</i>
CRITICALITY	Medium
DESCRIPTION	<p>The DSP may hang after multiple iterations of going into C66x Corepac Power Down and wake up from external events.</p> <p>The C66x XMC (External Memory Controller) can have outstanding pre-fetch requests when C66x Corepac transitions to a Power Down state. The XMC clocks are gated internally during this transition. While XMC clocks are gated, outstanding pre-fetch request responses are not seen by the XMC which leads to an inconsistent state between the XMC and the L3 Interconnect. When the DSP wakes up, this can manifest as different symptoms within the DSP subsystem, including Cache corruption, incorrect data being returned to the CPU, and can eventually lead to a DSP hang condition.</p>
WORKAROUND	<p>The steps to avoid this issue are as given below:</p> <ol style="list-style-type: none"> 1. Ensure the code which places the DSP C66x Corepac to Power Down State (power down entry procedure shown below) is placed in the DSP C66x L2 RAM memory. 2. Set the IDLE bit in PDCCMD register during initialization. 3. Inside the power down entry procedure include the following software sequence: <ol style="list-style-type: none"> a. Execute MFENCE instruction. b. Write 1 to XPFCMD.INV (address 0x0800_0300). c. Read XPFACS (address 0x0800_0304). d. Execute IDLE instruction. <p>While executing multi-threaded DSP software with C66x Corepac Power Down caution should be observed to not allow the power down entry sequence to be preempted and switch context.</p> <p>The software developer can choose to not perform the above software sequence by never enabling the DSP C66x Pre-fetch. The developer should understand the impact of not enabling DSP Pre-fetch on the DSP CPU memory access performance in their application.</p>
REVISIONS IMPACTED	<p>SR 1.0</p> <p>AM574x: 1.0</p> <p>DRA75xP, DRA74xP, DRA77xP, DRA76xP: 1.0</p> <p>TDA2Px: 1.0</p> <p>AM576x: 1.0</p>

i899	<i>Ethernet DLR Is Not Supported</i>
<hr/>	
CRITICALITY	Low
DESCRIPTION	<p>The DLR function is comprised of two separate functions that act together to implement DLR. The first is DLR packet detection and priority escalation. The second is DLR unicast address detection and packet forwarding.</p> <p>DLR packet detection should correctly detect that a DLR packet with no VLAN, a single VLAN, or two VLAN's has a DLR LTYPE. The packet should then be sent to the highest transmit FIFO priority of each destination egress port FIFO. In the case that the host port is the egress port, the packet should also be transferred to memory on the DLR channel.</p> <p>DLR unicast address detection should match a unicast destination address and flood the packet to the VLAN minus the receive port and minus the host port. For a 3-port switch, a DLR unicast packet that is received (ingress) on an Ethernet port would be sent to the other Ethernet port. A DLR unicast packet that was received via the host port would be flooded to both Ethernet ports.</p> <p>DLR cannot be enabled because the switch will enter an unknown state upon detection of a DLR packet. DLR unicast addresses can be added to the address table and will correctly flood to the VLAN minus the receive port and minus the host port. However, since DLR detection is dependent on enabling DLR (DLR_EN bit) and such enablement is precluded due to the bug, no DLR packet detection or priority escalation can occur.</p>
WORKAROUND	None.
REVISIONS IMPACTED	SR 1.0 AM574x: 1.0 DRA75xP, DRA74xP, DRA77xP, DRA76xP: 1.0 TDA2Px: 1.0 AM576x: 1.0

i900	<i>SoC Will Hang If Region 5 Accessed While CTRL_CORE_MMR_LOCK_5 Is Locked</i>
CRITICALITY	Medium
DESCRIPTION	<p>CTRL_CORE_MMR_LOCK_5 register has unexpected behavior.</p> <p>There are five registers used to lock different memory regions of CTRL_MODULE_CORE memory space. A memory region is locked, means that all write accesses to this region are ignored. Writing a value unique for each register will lock certain memory region and writing another unique value results in unlocking of the same region.</p> <p>The functionality of CTRL_CORE_MMR_LOCK_5 register is different than the other 4 registers.</p> <p>If a write access to “locked” registers, which belong to MMR_LOCK_5 region is performed, all of the Control Module registers become inaccessible. Any write access to locked registers in MMR_LOCK_5 region leads to an error in Control Module interface bus.</p> <p>Therefore, the write access is not only ignored but also blocks further access to the Control Module forever.</p>
WORKAROUND	<p>For accessing Control Module's configuration registers belonging to MMR_LOCK_5 region by CTRL_CORE_MMR_LOCK_5 register the following sequence must be used:</p> <ol style="list-style-type: none"> 1. Check if CTRL_CORE_MMR_LOCK_5 is locked - 0x143F832C. If yes, unlock CTRL_CORE_MMR_LOCK_5 as write 0x6F361E05. 2. Modify the selected CTRL_CORE_PAD_x registers. 3. Lock the CTRL_CORE_MMR_LOCK_5. The register is locked as write 0x143F832C. 4. Do not write CTRL_CORE_PAD_x registers when CTRL_CORE_MMR_LOCK_5 is locked. This leads to an error in Control Module interface bus.
REVISIONS IMPACTED	<p>SR 1.0</p> <p>AM574x: 1.0</p> <p>DRA75xP, DRA74xP, DRA77xP, DRA76xP: 1.0</p> <p>TDA2Px: 1.0</p> <p>AM576x: 1.0</p>

i903	<i>Ethernet RMII Interface RMII_MHZ_50_CLK Not Supported as Output Reference Clock</i>
CRITICALITY	High
DESCRIPTION	<p>The Ethernet EMAC module when operating in RMII mode has two clocking modes. In one case, a clock is generated externally and is an input to the SoC via the RMII_MHZ_50_CLK pin. This mode of operation functions properly and the timing specified in the Data Manual is valid.</p> <p>In the second case, the SoC drives a 50 MHz clock as an output on the RMII_MHZ_50_CLK pin. This output drives the clock to the external PHY. This mode of operation does not meet the timing specified in the Data Manual; and the resulting timing is not compatible with the RMII standard.</p>
WORKAROUND	<p>When using either of the Ethernet ports in RMII mode (pins rmii0* or rmii1*) the RMII_MHZ_50_CLK signal must be configured as an input, and the clock must be generated external to the SoC. The internal clock generation mode is not supported.</p> <p>The following registers should be set to configure RMII_MHZ_50_CLK as an input:</p> <pre>CM_GMAC_GMAC_CLKCTRL[CLKSEL_REF] = 1 CTRL_CORE_SMA_SW_6[RMII_CLK_SETTING] = 1</pre> <p>Alternatively, the Ethernet EMAC module supports MII or RGMII protocols/pins on both ports. Those modes can be used if the selected PHY supports them. The typical clocking modes for those interfaces are able to meet the timing specified in the Data Manual for 100 Mbps operation (which is the rate supported by RMII).</p>
REVISIONS IMPACTED	<p>SR 1.0</p> <p>AM574x: 1.0</p> <p>DRA75xP, DRA74xP, DRA77xP, DRA76xP: 1.0</p> <p>TDA2Px: 1.0</p> <p>AM576x: 1.0</p>

i904	<i>CSI Interface Setup/Hold Timing Does Not Meet MIPI DPHY Spec above 600MHz</i>
CRITICALITY	Medium
DESCRIPTION	When running the CSI2 interface at greater than 600MHz (1.2Gbps per lane), setup/hold times are not compliant with limits required by the MIPI CSI2 DPHY specification. Systems using the CSI2 interface at less than or equal to 600MHz are not affected.
WORKAROUND	Since the CSI2 interface includes up to 4 data lanes (plus 1 clock lane), data can be distributed across multiple lanes in order to keep the clock rate lower. Otherwise, the output delay timings of the external CSI2 transmitter device should be analyzed in comparison with the setup/hold timing requirements of the CSI2 receiver to confirm timing compatibility before attempting to run the interface at frequencies above 600MHz. Consult your local TI representative for more information on CSI2 receiver setup/hold timings at frequencies above 600MHz.
REVISIONS IMPACTED	SR 1.0 DRA75xP, DRA74xP, DRA77xP, DRA76xP: 1.0 TDA2Px: 1.0 AM576x: 1.0

i916	QSPI Reads Can Fail For Flash Devices with HOLD Function
CRITICALITY	High
DESCRIPTION	<p>The default internal pull-up/pull-down on the SoC QSPI interface can interfere with the HOLD function implemented in some QSPI FLASH devices leading to Read Failures. This is most likely to be seen at higher clock rates, and with EDMA reads of greater than 128-Bytes.</p> <p>In Quad SPI mode, the SoC QSPI IP transmits the command and address to the flash device on data line D0 and reads the data back on all four data lines D0, D1, D2 and D3. The default values of the data lines i.e. values when there is no driver on lines are LOW for D0 and D1 and HIGH for D2 and D3. These values are dictated by the internal and external pull ups.</p> <p>When the last bit on the last read driven by the FLASH doesn't match the 'default value', the data lines D1, D2 and D3 transition slowly to their default values i.e. LOW for D1 and HIGH for D2 and D3. The transition time is in the order of 100 ns and depends on board loadings. At higher frequencies (typically above 64MHz QSPI clock rate) the time from the last bit of data transfer to the first bit of the next command is not long enough to allow for the pull-ups to get the data lines D1, D2 and D3 to the desired state. It is possible that the D3 line is still in a LOW state when the next command transmission begins.</p> <p>The D3 line is used by some flash devices as a HOLD signal. If the D3 line has not reached HIGH state by the time CS is reasserted, flash devices can infer that a HOLD is in effect and fail to service the current command.</p> <p>This issue is most easily seen with EDMA reads of length greater than 128 bytes. CPU reads typically provide sufficient time between reads for the data lines to reach their default values.</p>
WORKAROUND	<p>The software workaround is to disable the hold functionality on the QSPI device, preferably by setting a nonvolatile configuration register. On most flash devices, placing the QSPI device in Quad read mode automatically disables the HOLD functionality. On certain flash devices, there is a separate mode bit that can be set to disable the HOLD functionality. Typically this setting would be done in a Flash Writer utility that programs the flash with the customer's boot image and sets appropriate non-volatile mode bits. Depending on the software architecture, this mode bit setting may also be done in the boot-loader or HLOS kernel.</p> <p>Disabling the HOLD functionality prevents the slow ramp on the D3 line from interrupting the operation of the QSPI flash device and allows EDMA reads at high clock speeds (64 MHz).</p> <p>There are no negative effects of the workaround as HOLD functionality is not supported by SoC QSPI IP.</p>
REVISIONS IMPACTED	<p>SR 1.0</p> <p>AM574x: 1.0</p> <p>DRA75xP, DRA74xP, DRA77xP, DRA76xP: 1.0</p> <p>TDA2Px: 1.0</p> <p>AM576x: 1.0</p>

i929
MMC1/2 SDR104/HS200 Mode DLL Delay Value May Result In Unexpected Tuning Pattern Errors
CRITICALITY

Low

DESCRIPTION

Internal to the MMC module, a second stage latch is used to recapture data captured by DLL delayed clock, `mmci_dll_clk`. The second stage latch captures with the original transmitting clock, `mmci_clk`.

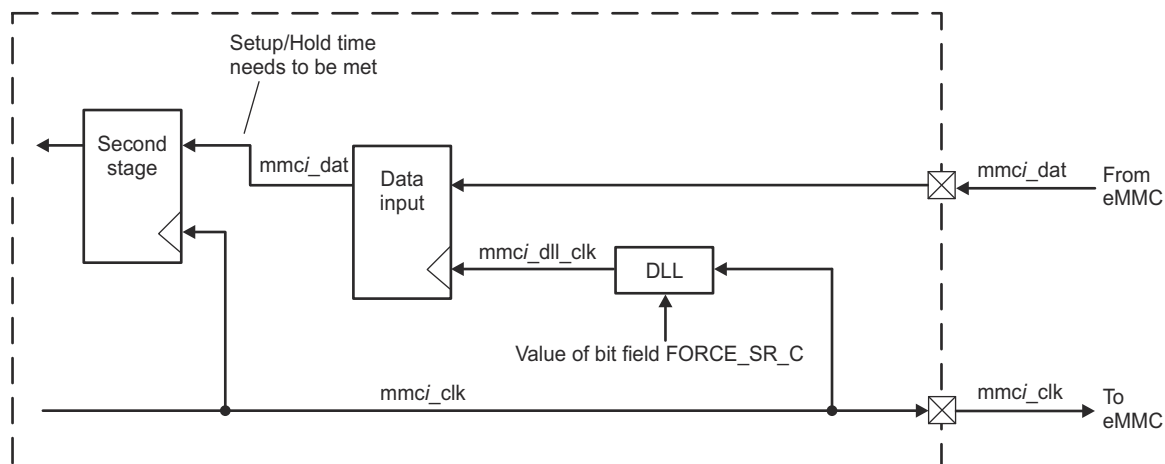


Figure 2-1. Simplified SoC 192-MHz Mode DLL Block Diagram

`mmci_dll_clk` and `mmci_clk` both run at the same clock frequency. This results in a narrow range of tuning ratio elements, where the delayed `mmci_dll_clk` comes in phase with `mmci_clk`. If the clocks are in phase, the data captured by the first clock violates the setup and hold time requirements needed for the second stage latch, resulting in incorrectly read data. This is known as tuning re-timing errors.

For systems in which MMC DLL tuning algorithm* chooses a ratio less than 40, which is sufficiently far from the lowest re-timing error ratio element, no workaround is necessary.

WORKAROUND

A DLL tuning algorithm has been implemented that can avoid the tuning re-timing errors. More details on this can be found in App Note [SPRACA9](#). The following notes summarize the updated algorithm:

1. Implement two stage tuning. The software begins with the regular tuning algorithm, using 4-step increments, to optimize boot time. When the initial ratio is chosen within the largest passing window, the software checks 10 tuning steps in each direction, using single steps, to identify whether the chosen ratio is at risk of a tuning re-timing error. If at risk, the value of the chosen ratio is adjusted to move away from the error. If not, the chosen ratio is used unchanged.
2. Choose ratio based on temperature. Both tuning band errors and tuning re-timing errors shift with temperature. The software takes this dependency into consideration when selecting the tuning ratio element to use for functionality.

Note

NOTE: *Legacy MMC DLL tuning algorithm are algorithms that were implemented before errata i929 was published. These algorithms do not take temperature nor single step tuning into consideration and were only tuned with step size = 4.

REVISIONS IMPACTED

SR 1.0

AM574x: 1.0

DRA75xP, DRA74xP, DRA77xP, DRA76xP: 1.0

TDA2Px: 1.0

AM576x: 1.0

i930
I2C1 and I2C2 May Drive Low During Reset
CRITICALITY

Low

DESCRIPTION

While the SoC PORz signal is asserted, one or more I2C1 and I2C2 IOs (i2c1_scl, i2c1_sda, i2c2_clk, i2c2_sda) may drive low. The Data Manual specifies that these signals should be high-z during PORz assertion. This occurs due to an internal node floating to a random state inside of the I2C output buffer during PORz assertion.

Note that other I2C instances on the SoC are not affected by this issue since they use a different I/O buffer.

WORKAROUND

This issue has not resulted in any known issues in systems. Any workaround may be dependent on the characteristics of connected devices in a given system, and the external device(s) response in case a Start/Stop sequence occurs without an intermediate I2C handshake.

If the I2C devices connected to I2C1 or I2C2 are sensitive to a spurious Start/Stop sequence during SoC PORz assertion, then an external switch can be implemented on a PCB between the SoC SDA/SCL signals and the external I2C component(s). The switch can be controlled by a GPIO output of the SoC. The GPIO signal will be high-z during PORz and a pull-resistor should be used to cause the external switch to be open during PORz. After PORz deassertion, software can enable the GPIO to close the switch prior to using the I2C1 or I2C2 interface.

**REVISIONS
IMPACTED**

SR 1.0

AM574x: 1.0

DRA75xP, DRA74xP, DRA77xP, DRA76xP: 1.0

TDA2Px: 1.0

AM576x: 1.0

i932	<i>DPLL_VIDEO</i> may require multiple lock attempts
CRITICALITY	Medium
DESCRIPTION	In rare circumstances the DPLL_VIDEO1 and DPLL_VIDEO2 PLLs may not lock on the first attempt during SoC initialization. When this occurs a subsequent attempt to relock the PLL will result in the PLL successfully locking.
WORKAROUND	<p>In order to successfully lock the PLL, the following software sequence is recommended:</p> <ol style="list-style-type: none"> 1. Boot SoC. 2. Configure DPLL_VIDEO1. 3. Set PLL_GO[0] PLL_GO bit to trigger Lock sequence. 4. Poll for Status bits in Locked, Non-error state OR Wait for Timeout (1000 REFCLK cycles): <ul style="list-style-type: none"> • PLL_STATUS[6] PLL_BYPASS = 0 • PLL_STATUS[5] PLL_HIGHJITTER = 0 • PLL_STATUS[3] PLL_LOSSREF = 0 • PLL_STATUS[2] PLL_RECAL = 0 • PLL_STATUS[1] PLL_LOCK = 1 • PLL_STATUS[0] PLLCTRL_RESET_DONE = 1 5. If Fail to Lock/Error -> Set PLL_GO[0] PLL_GO bit again; Repeat up to 20 times.
REVISIONS IMPACTED	<p>SR 1.0</p> <p>AM574x: 1.0</p> <p>DRA75xP, DRA74xP, DRA77xP, DRA76xP: 1.0</p> <p>TDA2Px: 1.0</p> <p>AM576x: 1.0</p>

i933**Access to IODELAY at Same Time as Other Peripheral on L4_PER2 Can Hang****CRITICALITY**

Medium

DESCRIPTION

If read/write accesses are performed concurrently from one initiator to the IODELAY module address space and one initiator to another peripheral address space in the L4_PER2 segment of the L4 interconnect then the access to the IODELAY module can hang, leading to an overall system hang. The concurrent accesses may be from two different initiators, or could be from one initiator capable of issuing multiple transactions through the interconnect. In this context, initiator can be a compute core (MPU, DSP, IPU, etc) or a DMA/Master peripheral (EDMA, SDMA, etc.)

The hang occurs due to a protocol violation on the interconnect OCP bus when responses from the IODELAY module and other module on the L4_PER2 segment occur on the same cycle.

The condition which hangs the system can be avoided by performing all IODELAY configurations during initial MPU boot, before other initiators are enabled. This approach may be acceptable for many peripherals, but may pose limitations for a few peripherals. For example, this approach may limit data transfer speeds of an SD Card or other device attached to the MMCn interface since IODELAY normally changes when the transfer mode is changed during run-time. In this example, the hang may occur if other initiators are accessing peripherals on L4_PER2 while IODELAY is changed to support a new SD Card or MMC transfer mode.

The following peripherals are connected to L4_PER2 and should not be accessed while IODELAY configuration is modified: UART7, UART8, UART9, MCASP4_DAT, MCASP5_DAT, MCASP6_DAT, MCASP7_DAT, MCASP8_DAT, MCASP1_CFG, MCASP2_CFG, MCASP3_CFG, MCASP4_CFG, MCASP5_CFG, MCASP6_CFG, MCASP7_CFG, MCASP8_CFG, GMAC_SW, PWMSS1, PWMSS2, PWMSS3, ATL, MLB, VCP1, VCP2, DCAN2.

WORKAROUND

Avoid accessing other peripherals that are on the L4_PER2 segment of the interconnect while IODELAY configuration is occurring. This can be accomplished by performing all IODELAY configurations during boot time before other initiators are enabled. Alternatively, if run-time accesses to IODELAY are required then accesses to other peripherals on the L4_PER2 segment of the interconnect must be avoided while accessing IODELAY.

In order to support run-time SD-Card removal/detection on the MMC1 interface or other mode changes on MMCn interfaces, software should not modify IO Delay configuration when a new card is detected or speed is changed. However, limiting support of SD Card/MMC transfer modes to a common IODELAY configuration is an option. For example, the IODELAY configuration required for SDR50 is also compatible with identification, default-speed, high-speed, SDR12, and SDR25 transfer modes. Configuring IODELAY for SDR50 during boot without any further updates will avoid the hang condition and allows support all transfer modes up to SDR50. With this approach, the MMC1 interface cannot support DDR50 and SDR104 modes because IODELAY would need to be updated to support these transfer modes.

The final intended transfer mode may be known in advance when eMMC or other devices are attached to any MMCn interface. In that case, the appropriate IODELAY for the intended transfer mode may be configured at boot time (including HS200 mode if applicable).

Please Note: The standard Processor SDK software offering from TI (Linux and RTOS based) does not implement this workaround. Customers are expected to make the appropriate software modifications necessary to implement their own workaround when using this approach.

**REVISIONS
IMPACTED**

SR 1.0

DRA75xP, DRA74xP, DRA77xP, DRA76xP: 1.0

TDA2Px: 1.0

i936
DSS LCD/DPI Out Field Reversal in Interlaced RGB Mode
CRITICALITY

High

DESCRIPTION

Interlaced RGB is not supported on DSS DPI outputs (VOUT1/2/3) because the VSYNC signal's polarity is noncompliant.

Some monitors that are fully compliant will exhibit display artifacts. However, there are some monitors which accept the noncompliant signal without artifacts.

WORKAROUND

Use Interlaced YUV mode with embedded sync (BT.656, BT.1120).

**REVISIONS
IMPACTED**

SR 1.0

AM574x: 1.0

DRA75xP, DRA74xP, DRA77xP, DRA76xP: 1.0

TDA2Px: 1.0

AM576x: 1.0

i940
MPU_COUNTER_REALTIME saturates after several hundred days

CRITICALITY

Major

DESCRIPTION

After several hundred days (specific duration depends on the primary input clock SYS_CLK1 frequency, see table below for example durations) of continuous operation the MPU_COUNTER_REALTIME saturates at 0xBB8000000000 and no longer generates interrupts. There is no way to reset the counter except for a system reset.

For software/systems that use this timer and operate for extended periods of time without any type of reset or power cycle, this can lead to a system hang. For systems that regularly go through a power cycle or reset there is no issue.

SYS_CLK1	Days until saturation
19.2 MHz	404
20 MHz	388
27 MHz	287

WORKAROUND

Workaround 1: Avoid the issue by requiring the user to preform a scheduled reset/restart of the system sometime prior the saturation time.

Workaround 2: Recover from the issue by enabling a system watchdog reset to expire after the issue has occurred.

Workaround 3: Use GP Timer instead of COUNTER_REALTIME in systems requiring continuous up time.

This page intentionally left blank.

This Chapter describes limitations for the given architecture and provides information for working with those issues.

Revisions SR 1.0 - Limitations List

i596	<i>BITMAP1-2-4 Formats Not Supported by the Graphics Pipeline</i>
CRITICALITY	Low
DESCRIPTION	BITMAP1, BITMAP2, and BITMAP4 are not supported by the graphics pipeline.
WORKAROUND	No workaround is available.
REVISIONS IMPACTED	SR 1.0 AM574x: 1.0 DRA75xP, DRA74xP, DRA77xP, DRA76xP: 1.0 TDA2Px: 1.0 AM576x: 1.0

i641
Overlay Optimization Limitations

CRITICALITY

Low

DESCRIPTION

Overlay optimization does not work when resize processing is enabled on any 'Enabled' layer.

When any of the 'Enabled' layers has bit field DISPC_p_ATTRIBUTES.RESIZEENABLE as nonzero it will neither be optimized nor participate in optimization of layers below.

WORKAROUND

For optimization to occur for a particular layer, make RESIZEENABLE as 0x0. With multiple layers enabled, make RESIZEENABLE for all the layers as 0x0 for every layer to participate in overlay optimization of itself or for the layers below it.

**REVISIONS
IMPACTED**

SR 1.0

AM574x: 1.0

DRA75xP, DRA74xP, DRA77xP, DRA76xP: 1.0

TDA2Px: 1.0

AM576x: 1.0

i833	<i>I2C Module in Multislave Mode Potentially Acknowledges Wrong Address</i>
CRITICALITY	Low
DESCRIPTION	<p>When the I2C module is in multislave mode with up to four 10-bit own addresses it may acknowledge the wrong address. According to the I2C protocol, a 10-bit address is sent via 2 bytes. The first byte is formatted as 11110XX R/W where XX are the 2 MSB of the address. The second byte contains the remaining 8 bits of the device address.</p> <p>When the first byte received contains 2 MSB that matches the 2 MSB of the one of the modules four own addresses, an ACK is correctly sent by the module. However, if the second byte received matches the remaining 8 bits of one of the modules other own addresses, an ACK is sent incorrectly by that module. In turn, the incorrect module then enters an internal state where starts reading data sent on the bus not intended for it.</p> <p>The module should only send a second ACK if the entire 10-bit address matches one of its four own addresses. However, the module incorrectly ACKs any address that matches the first 2 bits of one slave address and the last eight bits of another slave address.</p>
WORKAROUND	The issue can be avoided by ensuring that the 2 most significant bits are identical for all multislave addresses in 10-bit addressing mode.
REVISIONS IMPACTED	SR 1.0 AM574x: 1.0 DRA75xP, DRA74xP, DRA77xP, DRA76xP: 1.0 TDA2Px: 1.0 AM576x: 1.0

i838
DSS BT.656/BT.1120 Max Horizontal Blanking Is Non Compliant

CRITICALITY

Medium

DESCRIPTION

When BT.656 or BT.1120 modes are used on DSS outputs (vout1,2,3), the configuration of the horizontal blanking timing is limited to a value of 256 bytes or less due to the HSW bit field being limited to 8b (256 max value). The BT.656 standard requires 280 or 268 bytes to support PAL and NTSC timings respectively. BT.1120 requires 280, 720, 830 depending on format. The DSS cannot support devices requiring such blanking duration due to this limitation.

WORKAROUND

If larger blanking period needed, use RGB or YUV mode output, not BT.656/1120.

**REVISIONS
IMPACTED**

SR 1.0

AM574x: 1.0

DRA75xP, DRA74xP, DRA77xP, DRA76xP: 1.0

TDA2Px: 1.0

AM576x: 1.0

i844	<i>EDMA to VCP Stream Burst Is Not Functional</i>
<hr/>	
CRITICALITY	Low
DESCRIPTION	If EDMA is configured for a constant addressing mode (also referred to as STREAM or FIFO mode) transfer to the VCP data space, the accesses fail.
WORKAROUND	<p>Software must configure the EDMA to perform Incrementing transfers to VCP instead of constant addressing mode. A constant addressing mode transfer can be emulated by setting the EDMA PaRAM as follows:</p> <ul style="list-style-type: none"> • Incrementing mode (via SAM or DAM = 0), • ACNT = 8 (to match VCP bus width), • BCNT = transfer_byte_count/8, • BIDX = 0 (via SBIDX or DBIDX), • ABSync trigger mode (via SYNCDIM = 1).
REVISIONS IMPACTED	<p>SR 1.0</p> <p>DRA75xP, DRA74xP, DRA77xP, DRA76xP: 1.0</p> <p>TDA2Px: 1.0</p>

i845
USB2.0 False Detection of Disconnect Condition

CRITICALITY

Low

DESCRIPTION

Per the standard, the 'Envelope detector' in the USB2.0 PHY must indicate High Speed disconnection when the amplitude of the differential signal at the downstream facing driver's connector is greater than or equal to 625 mV, and it must not be indicated when the signal amplitude is less than or equal to 525 mV at our connector. The default configuration of the USB1/USB2 phy is such that the detector circuit is monitoring the during the entire SOF frame and not just the last 8b portion of the extended EOP as indicated in the standard.

Due to this constant monitoring, it is possible that the PHY may falsely indicate disconnect condition due to reflections on the PCB. These reflections could exceed the disconnect thresholds if TI PCB layout guidelines for USB are not strictly followed.

WORKAROUND

SW Workaround: During USB2.0 PHY initialization, configure: bit 31 of 0x4A08 404C (USB1) or 0x4A08 504C (USB2) to =1b. This will limit detection window to the proper time and prevent false disconnect. TI PCB layout guidelines for USB should also be strictly followed to minimize reflections to within the thresholds defined in the standard. See device Data Manual for details.

**REVISIONS
IMPACTED**

SR 1.0

AM574x: 1.0

DRA75xP, DRA74xP, DRA77xP, DRA76xP: 1.0

TDA2Px: 1.0

AM576x: 1.0

i848	<i>McASP IO Pad Loopback Not Functional</i>
<hr/>	
CRITICALITY	Low
DESCRIPTION	<p>Due to timing issues, the IO pad loopback feature of the McASP, configured by setting DLBEN=1 and IOLBEN=1 in the MCASP_LBCTL register, will sometimes result in corrupt serializer data.</p> <p>This feature is intended for development only. All McASP instances are potentially affected.</p>
WORKAROUND	Use digital loopback, which is logically equivalent. Digital loopback is configured by setting DLBEN=1 and IOLBEN=0b in the appropriate MCASP_LBCTL register.
REVISIONS IMPACTED	SR 1.0 AM574x: 1.0 DRA75xP, DRA74xP, DRA77xP, DRA76xP: 1.0 TDA2Px: 1.0 AM576x: 1.0

i876
DVFS Only Supported on MPU

CRITICALITY

Low

DESCRIPTION

Dynamic Voltage Frequency Scaling (DVFS) refers to a software technique where the various SoC AVS rails are changed from one OPP level to another in order to either adapt to a changing work-load, or in order to avoid device operation outside of desired temperature bounds.

The SoC only supports DVFS on the MPU rail.

WORKAROUND

Software may use DVFS only on the MPU rail. For example, SW may change the MPU operation from OPP_NOM (1 GHz, at OPP_NOM AVS voltage level) to OPP_HIGH (1.5 GHz, at OPP_HIGH AVS voltage level) in order to accommodate an increased work-load, or may change the MPU operation from OPP_HIGH to OPP_NOM if the temperature exceeds a certain threshold.

The supply rails and OPP conditions (Frequency/Voltage) for non-MPU rails should be set at boot-time and remain at that OPP voltage level during device run-time.

**REVISIONS
IMPACTED**

SR 1.0

AM574x: 1.0

DRA75xP, DRA74xP, DRA77xP, DRA76xP: 1.0

TDA2Px: 1.0

AM576x: 1.0

i877	<i>RGMII Clocks Should Be Enabled at Boot Time</i>
CRITICALITY	Medium
DESCRIPTION	<p>The RGMII 1000 Mbps Transmit timing is based on the output clock (rgmiin_txc) being driven relative to the rising edge of an internal clock and the output control/data (rgmiin_txctl/txd) being driven relative to the falling edge of an internal clock source. If the internal clock source is allowed to be static low (i.e., disabled) for an extended period of time then when the clock is actually enabled the timing delta between the rising edge and falling edge can change over the lifetime of the device. This can result in the device switching characteristics degrading over time, and eventually failing to meet the Data Manual Delay Time/Skew specs.</p> <p>To maintain RGMII 1000 Mbps IO Timings, SW should minimize the duration that the Ethernet internal clock source is disabled. Note that the device reset state for the Ethernet clock is "disabled".</p> <p>Other RGMII modes (10 Mbps, 100Mbps) are not affected.</p>
WORKAROUND	<p>If the SoC Ethernet interface(s) are used in RGMII mode at 1000 Mbps, SW should minimize the time the Ethernet internal clock source is disabled to a maximum of 200 hours in a device life cycle. This is done by enabling the clock as early as possible in IPL (QNX) or SPL/u-boot (Linux/Android) by setting the register <code>CM_GMAC_CLKSTCTRL[1:0]CLKTRCTRL = 0x2:SW_WKUP.</code></p> <p>In addition to programming <code>SW_WKUP(0x2)</code> on <code>CM_GMAC_CLKSTCTRL</code>, SW should also program modulemode field as <code>ENABLED(0x2)</code> on <code>CM_GMAC_GMAC_CLKCTRL</code> register.</p> <p>If the application does not require Ethernet functionality ever, the developer can choose to place the GMAC module in a power disabled state <code>CM_GMAC_GMAC_CLKCTRL.MODULEMODE = 0x0 (disabled)</code> and <code>CM_GMAC_CLKSTCTRL.CLKTRCTRL = 0x1 (SW_SLEEP)</code> during the boot operation.</p>
REVISIONS IMPACTED	<p>SR 1.0</p> <p>AM574x: 1.0</p> <p>DRA75xP, DRA74xP, DRA77xP, DRA76xP: 1.0</p> <p>TDA2Px: 1.0</p> <p>AM576x: 1.0</p>

i892***L3 Clocks Should Be Enabled at All Times***

CRITICALITY

Medium

DESCRIPTION

If the L3 clock (L3_ICLK) is allowed to be gated by the PRCM, the device internal timing can degrade leading to functional issues and device failures.

WORKAROUND

The L3 clock (L3_ICLK) should be enabled at all times.

**REVISIONS
IMPACTED**

SR 1.0

AM574x: 1.0

DRA75xP, DRA74xP, DRA77xP, DRA76xP: 1.0

TDA2Px: 1.0

AM576x: 1.0

i909	<i>PCIe Unintentional Translation of Outbound Message TLPs</i>
CRITICALITY	Medium
DESCRIPTION	<p>There is a limitation in internal address translation unit in which unintentional translation of outbound message TLPs can occur if the third and fourth double words of the header match an iATU region. The unintentional translation is most likely to occur in the case of an address translation region at location 0x0 in address space since many message TLPs require the third and fourth double words of the header to be 0x0.</p> <p>Outbound completion TLPs also partially suffer from the same issue. Completion TLPs are never translated by the controller. However if the client address is held at a value which matches an outbound iATU region when a completion TLP is being transmitted, the controller will reduce the credit counter of the type specified in that region. Because the client address bus is normally held at address 0x0 when transmitting completion TLPs, this issue generally occurs when an address translation region is defined at address 0x0.</p>
WORKAROUND	<p>Do not configure an outbound iATU region starting at address 0x0. Instead, only configure outbound iATU regions starting at address 0x1000 or greater.</p> <p>At the SoC level, this workaround effectively reduces each PCIE_SSx 256MiB L3_MAIN address window to 256MiB – 4KB, starting at address 0x2000_1000 for PCIE_SS1 and address 0x3000_1000 for PCIE_SS2.</p>
REVISIONS IMPACTED	<p>SR 1.0</p> <p>AM574x: 1.0</p> <p>DRA75xP, DRA74xP, DRA77xP, DRA76xP: 1.0</p> <p>TDA2Px: 1.0</p> <p>AM576x: 1.0</p>

This Chapter alerts device users to silicon sensitivity concerns. Items described in the following section are compliant with specification (neither bug nor limitation), but it is mandatory to carefully respect guidelines to ensure correct device behavior.

Revisions SR 1.0 - Cautions List

i781	<i>Power Delivery Network Verification</i>
CRITICALITY	High
DESCRIPTION	<p>Processor operation requires strict power requirements on the system (Processor + Power Management IC + Power Distribution Network).</p> <p>The Processor requires carefully controlled system margin validation and verification.</p> <p>In GHz systems, instability could result from marginal board design, component selection, power supply transients, susceptibility to noise, and so forth.</p> <p>Developers must optimize PDN board designs to ensure stable operation at all OPP's across all conditions and over the lifetime of the system. The necessary steps to follow to ensure robust operation are listed in the following Guidelines section.</p>
GUIDELINES	<ul style="list-style-type: none"> • Software guidelines: <ol style="list-style-type: none"> 1. It is mandatory to use SmartReflex technology for the AVS power rails (MPU, CORE, DSPEVE, GPU, etc.). Refer to the Data Manual for AVS requirements. 2. For certain power rails, ABB (adaptative body bias) must be engaged in: <ul style="list-style-type: none"> – Refer to the device Data Manual for ABB requirements for each OPP • PCB guidelines: <p>The Power Delivery Network should be optimized to match all OPP requirements. All PCB Design requirements for PDN optimization can be found in the Data Manual. It is mandatory for the PCB developer to align the PCB with the described guidelines and to meet TI requirements.</p>
REVISIONS IMPACTED	<p>SR 1.0</p> <p>DRA75xP, DRA74xP, DRA77xP, DRA76xP: 1.0</p> <p>TDA2Px: 1.0</p>

i827
Thermal Alert Will Not Be Generated When Bandgap Is Configured in "Smart Idle" Mode

CRITICALITY

Low

DESCRIPTION**Note**

NOTE: The previous title for this advisory was "MPU Running While Thermal Monitoring Is Stopped."

The MPU will not receive an interrupt request for thermal alert (MPU_IRQ_126) if the MPU bandgap cell is in idle mode. When the MPU bandgap cell is in idle state (CTRL_CORE_BANDGAP_MASK_1[31:30] SIDLEMODE=0x2), the MPU bandgap state machine can not send THERMAL_ALERT signal and MPU interrupt request, respectively.

GUIDELINES

Do not idle the Control Module MPU Bandgap (keep CTRL_CORE_BANDGAP_MASK_1 [31:30]SIDLEMODE=0x0)

REVISIONS IMPACTED

SR 1.0

AM574x: 1.0

DRA75xP, DRA74xP, DRA77xP, DRA76xP: 1.0

TDA2Px: 1.0

AM576x: 1.0

i832	<i>DLL SW Reset Bit Does Not Reset to 0 after Execution</i>
CRITICALITY	Medium
DESCRIPTION	When autoidle is enabled (MMCHS_SYSCONFIG[0]AUTOIDLE=0x1), clock gets cut off and the reset completion signal would not be recorded by the processor. Hence, though the reset executed and finished, the MMCHS_DLL[31]DLL_SOFT_RESET flag will remain asserted indefinitely and another soft reset will be ignored.
GUIDELINES	<p>Disable autoidle (MMCHS_SYSCONFIG[0]AUTOIDLE=0x0), before DLL reset and re-enable autoidle after the reset.</p> <p>Set MMCHS_SYSCONFIG[0]AUTOIDLE = 0 before reset</p> <p>Set MMCHS_SYSCONFIG[0]AUTOIDLE = 1 after the reset</p>
REVISIONS IMPACTED	<p>SR 1.0</p> <p>AM574x: 1.0</p> <p>DRA75xP, DRA74xP, DRA77xP, DRA76xP: 1.0</p> <p>TDA2Px: 1.0</p> <p>AM576x: 1.0</p>

i836***Bus Testing Commands CMD19 Incorrectly Waits for CRC Status Return***

CRITICALITY

Low

DESCRIPTION

CMD19/CMD14 commands are required for MMC to test data bus pins functionality. After the MMC controller sends out CMD19, it incorrectly waits for the CRC status to be returned. Because no CRC status is generated by the card at this step, the MMC controller signals an interrupt for Data Timeout (DTO).

GUIDELINES

Ignore DTO generated after CMD19 is sent, then clear the interrupt and proceed with CMD14.

**REVISIONS
IMPACTED**

SR 1.0

AM574x: 1.0

DRA75xP, DRA74xP, DRA77xP, DRA76xP: 1.0

TDA2Px: 1.0

AM576x: 1.0

i839	<i>Some RGB and YUV Formats Have Non-Standard Ordering</i>
CRITICALITY	Medium
DESCRIPTION	<p>Data format definitions are non-standard and resulting in color components being swapped if wrong assumption is made in software.</p> <p>To configure data packing/unpacking logic for each active data channel, the VPDMA (in the VIP, and VPE) relies on the 'data type' value in the channel's data transfer descriptor. Due to mismatches in the component order directions between what the VPDMA specifies and what commonly used image identifiers expect, color components can be swapped in the display and in the video/image data written out to the memory for some RGB and YUV data types.</p>
GUIDELINES	Software drivers should remap custom formats to the desired industry standard formats and/or treat data as word/byte swapped as appropriate. See also Device TRM for full explanation of data formats.
REVISIONS IMPACTED	<p>SR 1.0</p> <p>AM574x: 1.0</p> <p>DRA75xP, DRA74xP, DRA77xP, DRA76xP: 1.0</p> <p>TDA2Px: 1.0</p> <p>AM576x: 1.0</p>

i864

VDDS18V to VDDSHVn Current Path

CRITICALITY

Medium

DESCRIPTION

A current path exists between vdds18v and vddshvn during power down sequence.

The Data Manual allows the vddshvn rail (in either 3.3V or 1.8V mode) to power down at the same time or before the vdds18v rail. When the vddshvn rail is powered down before the vdds18v rail, the vddshvn rail stays at Plateau Level (<1.5V) until the vdds18v rail is disabled, as shown in the waveform below.

A subset of the SOC's LVCMOS IOs (refer to DM for details) have a pull-up resistor that is active by default, including during reset and power-down. The SOC's IOs that have internal or external pull-ups will stay at Plateau Level (<1.5V) during the power-down. If other ICs on the board that are interfaced to the SOC's LVCMOS signals use a separate supply then it's possible that the other IC's signals can be pulled to the Plateau Level while its power supply is off.

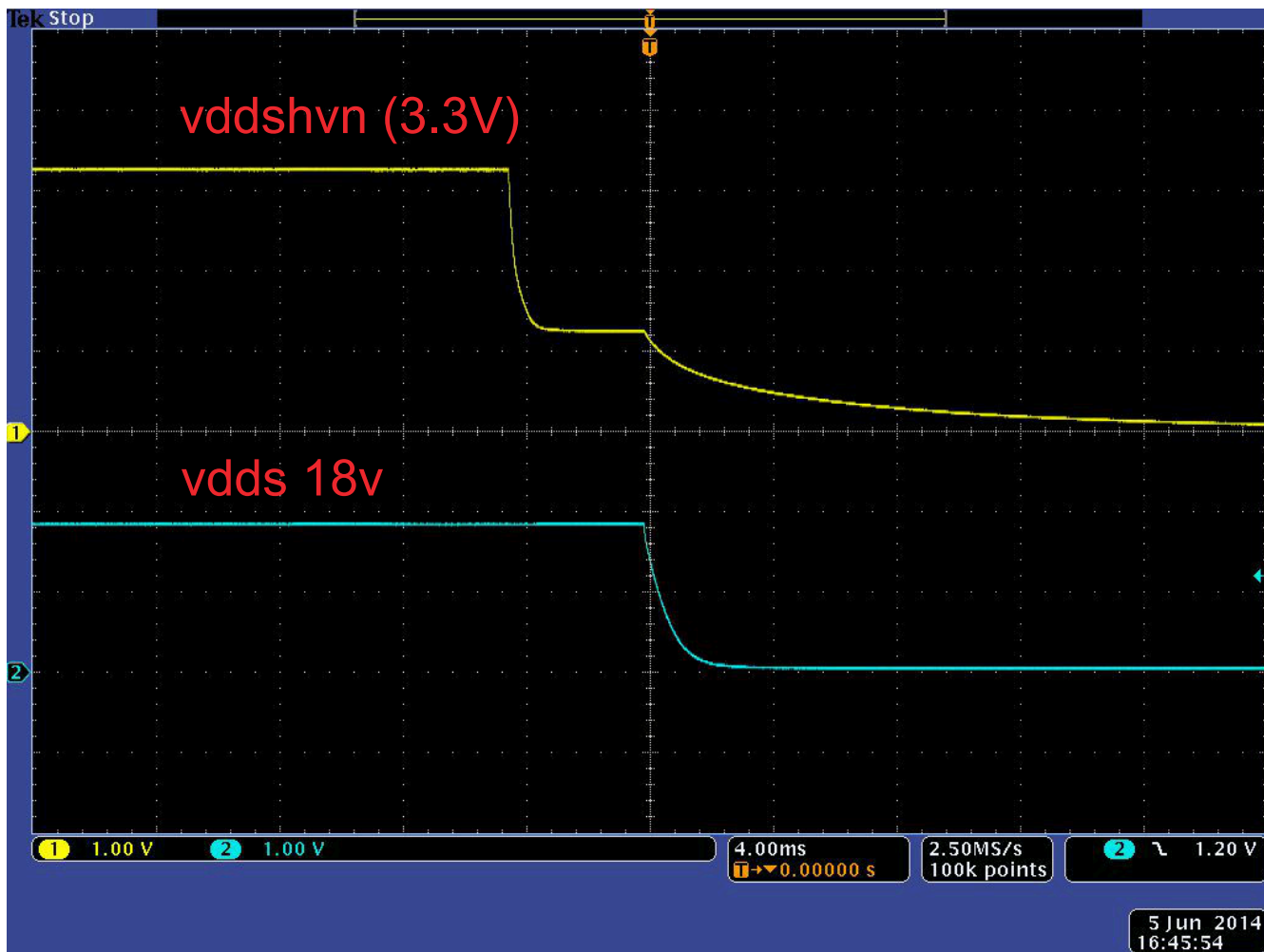


Figure 4-1. PAB_RevA

The root cause of the plateau is related to the LVCMOS IO buffer Dual Voltage detection circuitry. The LVCMOS Dual Voltage IO includes voltage comparator circuitry to determine if the IO is in 3.3V mode or 1.8V mode. During powerdown of vddshvn domains, a current path in the internal bias transistors results in the vddshvn rail being held to an

intermediate voltage level (<1.5 V). This path can consume at most 500 uA per IO - worst case estimate is ~150 mA (based on 280 IOs) from the vdds18v supply during power down. This path is not a reliability concern for the device.

The plateau is no concern for systems where the same supply/LDO is used for vddshvn rail and the other components that interface to the SOC's Dual Voltage LVCMOS IOs.

Systems that use independent supplies for the SOC rail and the other component's rail require further analysis by the system designer. There may be a state where SOC's IO's with internal or external pull-ups are pulled to plateau level (<1.5V) while the external device is powered down. In this case, the current on any given IO is limited due to the ~10 kOhm (minimum) internal pull-up resistor. The limit is 150 uA per IO (1.5 V maximum plateau / 10 kOhm minimum pull-up resistor.) Refer to the device Data Manual for details on which pins include a pull-up resistor by default.

GUIDELINES

In general, TI recommends using the same supply source for connected components. E.g., a single LDO should drive vddshvn and the related 3.3V external components.

For systems that use a different 3.3V supply for the SOC and connected ICs, customers should evaluate their system for reliability risk. If necessary, the PMIC OTP power-down sequence can be modified to delay the vddshv[11:1] powerdown to coincide with the vdds18v powerdown. [Note: The 3.3V rail must never be 2.0V above the 1.8V rail.]

VDDSHV8 is a special case. If VDDSHV8 is powered by the same LDO/switch as the other VDDSHVn rails then the VDDSHV8 rail can also be delayed. However, if the VDDSHV8 rail is supplied by a different LDO (e.g., LDO1 on EVM) than the other VDDSHVn rails, then the sequence should not be modified.

REVISIONS IMPACTED

SR 1.0

AM574x: 1.0

DRA75xP, DRA74xP, DRA77xP, DRA76xP: 1.0

TDA2Px: 1.0

AM576x: 1.0

i885
Software Requirements for Data Manual IO Timing

CRITICALITY

High

DESCRIPTION

In order to guarantee the values presented in the Timing Requirements and Switching Characteristics tables of the device Data Manual, proper software configuration of the IOs is required.

GUIDELINES

The required software IO configurations include:

- Pin Multiplexing (CTRL_CORE_PAD_*[3:0] MUXMODE) selection compliant with the IOSETS defined in the datasheet. (See IOSET tables DM Chapter Timing Requirements and Switching Characteristics.)
- Slew Control (CTRL_CORE_PAD_*[19] SLEWCONTROL) settings left at their default values. (See DM Section 1.8V and 3.3V Signal Transition Rates.)
- Virtual and Manual IO Timing Modes configured as required for the desired mode of operation. (See TRM Sections Virtual IO Timing Modes and Manual IO Timing Modes.)
- IO Delay Recalibration performed after adjusting the AVS voltage for VDD_CORE_L voltage domain. (See TRM Section IO Delay Recalibration.)

**REVISIONS
IMPACTED**

SR 1.0

AM574x: 1.0

DRA75xP, DRA74xP, DRA77xP, DRA76xP: 1.0

TDA2Px: 1.0

AM576x: 1.0

i886	<i>FPDLink PLL Unlocks With Certain SoC PLL M/N Values</i>
CRITICALITY	Medium
DESCRIPTION	<p>FPD-Link SerDes are used to convert the Device's parallel video output interfaces into high-speed serialized interfaces. To ensure proper operation, it is important for the Device's video output clock to meet the input jitter requirements of the SerDes component clock input. At high frequencies, some Device PLL configurations, may produce a clock signal that does not comply with the FPD-Link specifications. These PLL configurations can potentially cause the FPD-Link deserializer to loose lock, producing flicker or blanking on the system display.</p>
GUIDELINES	See application note SPRACA9 for information on how to best work around this issue in a given system.
REVISIONS IMPACTED	<p>SR 1.0</p> <p>AM574x: 1.0</p> <p>DRA75xP, DRA74xP, DRA77xP, DRA76xP: 1.0</p> <p>TDA2Px: 1.0</p> <p>AM576x: 1.0</p>

i912***QSPI_SPI_CMD_REG [25:24] Masked from Read in RTL***

CRITICALITY

Low

DESCRIPTION

There is an integration error in the device. All WLEN (QSPI_SPI_CMD_REG[25:19]) bits in the QSPI_SPI_CMD_REG register are writeable. However, on a read the QSPI_SPI_CMD_REG[25:24] bits will be masked.

GUIDELINES

None.

**REVISIONS
IMPACTED**

SR 1.0

AM574x: 1.0

DRA75xP, DRA74xP, DRA77xP, DRA76xP: 1.0

TDA2Px: 1.0

AM576x: 1.0

i926	<i>PCIe Preferred PCIe_PHY_RX SCP Register Settings Updated</i>
CRITICALITY	Low
DESCRIPTION	The “Preferred PCIe_PHY_RX SCP Register Settings” table in the Technical Reference Manual (TRM) has been updated with values to select fully adaptive equalization and a second-order clock recovery algorithm. These changes have been shown to enhance PCIe receiver (RX) jitter tolerance for 5GT/s operation.
GUIDELINES	Software can be updated to the new preferred settings, especially for 5GT/s operation, if enhanced RX jitter tolerance is desired.
REVISIONS IMPACTED	SR 1.0 AM574x: 1.0 DRA75xP, DRA74xP, DRA77xP, DRA76xP: 1.0 TDA2Px: 1.0 AM576x: 1.0

i931 **VDD to VDDA_ "PHY" Current Path**

CRITICALITY Low

DESCRIPTION A current path exists between VDD and the high speed analog PHY domain (VDDA_HDMI, VDDA_PCIE, VDDA_SATA, VDDA_USB2/3) during the supply power up and power down sequences.

The device-specific Data Manual requires Core AVS rail (VDD) to power up before the 1.8 V high speed analog PHY domain(s). When this sequence is followed, the high speed analog PHY domain will have a small step-up to a voltage plateau (< 0.5 V) that aligns to the beginning of the VDD ramp-up, and is maintained until the ramp-up of high speed analog PHY rail, as shown in Figure 4-2. Note the leakage value will differ from system to system, but will be less than 500 mV. The leakage voltage in the provided capture is approximately 250 mV.

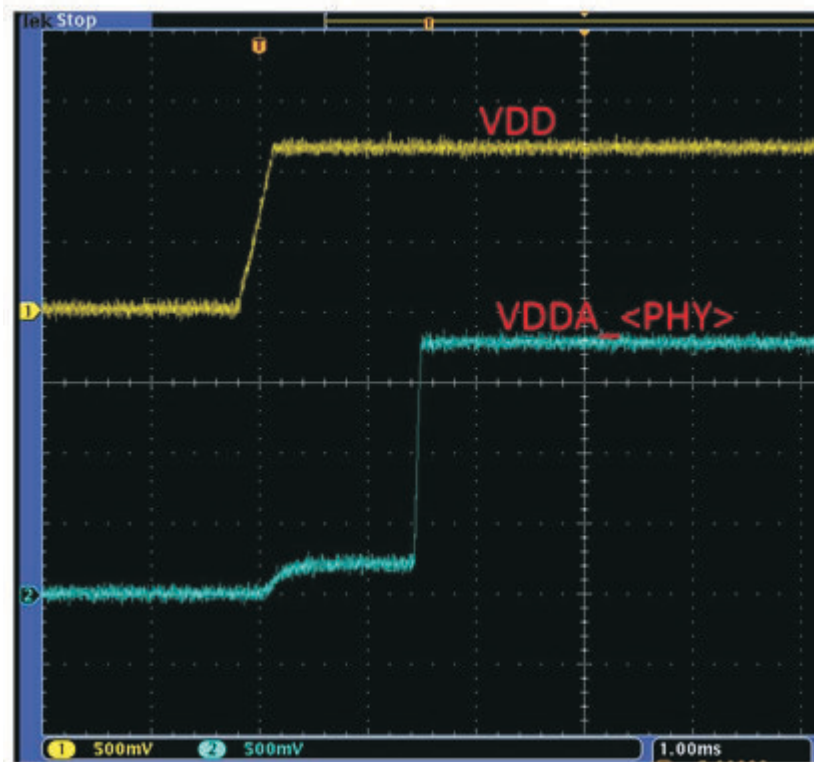


Figure 4-2. Leakage Voltage

A similar condition exists during supply power down sequence. The high speed analog PHY domain(s) are required to be powered down prior to Core AVS rail (VDD), and may cause a small plateau to exist until Core AVS rail (VDD) is ramped down.

The root cause of the voltage plateau during power-up/down sequencing is related to the parasitic diodes in logic blocks which have multiple power sources. This leakage path is not a reliability concern for this device.

GUIDELINES None. There is no reliability concern for the device.

REVISIONS IMPACTED SR 1.0

AM574x: 1.0

DRA75xP, DRA74xP, DRA77xP, DRA76xP: 1.0

TDA2Px: 1.0

AM576x: 1.0

i935	<i>MSI Bit in PCIECTRL_TI_CONF_IRQSTATUS_MSI Register Does Not Clear Automatically</i>
CRITICALITY	Low
DESCRIPTION	The MSI bit in PCIECTRL_TI_CONF_IRQSTATUS_MSI register does not clear automatically even after all the vectors in PCIECTRL_PL_MSI_CTRL_INT_STATUS_N registers are cleared.
GUIDELINES	<p>Software should manually clear PCIECTRL_TI_CONF_IRQSTATUS_MSI[4] MSI bit after making sure there are no vectors set in PCIECTRL_PL_MSI_CTRL_INT_STATUS_N registers. If MSI bit is cleared with some of the bits of PCIECTRL_PL_MSI_CTRL_INT_STATUS_N still set then those interrupts may be lost which may lead to non-functional remote endpoints.</p> <p>Following is the recommended sequence for handling MSI interrupt to avoid missing any MSI interrupts:</p> <ol style="list-style-type: none"> 1. Software reads PCIECTRL_TI_CONF_IRQSTATUS_MSI status register, and identifies an (unspecified) MSI event, as opposed to a PCI legacy event. 2. Software clears PCIECTRL_TI_CONF_IRQSTATUS_MSI[4] MSI. 3. Software reads PCIECTRL_PL_MSI_CTRL_INT_STATUS_N and identifies EP functions that raised MSI. 4. Software clears PCIECTRL_PL_MSI_CTRL_INT_STATUS_N status bit. 5. Software calls the EP function specific interrupt handlers for each of the vectors. 6. Repeat steps 3 to 5 until PCIECTRL_PL_MSI_CTRL_INT_STATUS_N reads 0. 7. Exit MSI IRQ handler, only if PCIECTRL_PL_MSI_CTRL_INT_STATUS_N is 0
REVISIONS IMPACTED	<p>SR 1.0</p> <p>AM574x: 1.0</p> <p>DRA75xP, DRA74xP, DRA77xP, DRA76xP: 1.0</p> <p>TDA2Px: 1.0</p> <p>AM576x: 1.0</p>

i937	<i>HDMI Transmitter is Marginal to Source Eye Mask Requirements Above 177MHz</i>
CRITICALITY	Low
DESCRIPTION	When running the HDMI interface at greater than 177MHz pixel clock rate (e.g., 1920x1440@60fps, 8-bit color), the source eye diagram CK - DATA is marginal to the HDMI specification source eye mask requirements. The source eye diagram CK - DATA is marginal at the datasheet target of 185.6MHz (e.g., 1920x1080 @ 60fps, 10-bit color).
GUIDELINES	When running the HDMI interface at greater than 177MHz pixel clock rate, the receiver input signal requirements should be evaluated to determine whether the HDMI signal meets the input signal requirements of the receiving device or the TMDS input characteristics defined in the HDMI bus specification. If the input signal requirements of the receiver are met across all conditions, then no further action is needed. If the receiver input signal requirements are not met, then a max HDMI pixel clock rate of 177MHz should be applied.
REVISIONS IMPACTED	SR 1.0 AM574x: 1.0 DRA75xP, DRA74xP, DRA77xP, DRA76xP: 1.0 TDA2Px: 1.0 AM576x: 1.0

Changes from February 1, 2018 to February 28, 2021 (from Revision Initial (February 2018) to Revision A (February 2021))
Page

• Updated i727: Refresh Rate Issue after Warm Reset.....	20
• Updated i729: DDR Access Hang after Warm Reset.....	21
• Removed i901: DSS VOUT3 on VDDSHV6 Domain (vin1a Pins) Should Not Be Used in 3.3V Mode.....	64
• Added i936: DSS LCD/DPI Out Field Reversal in Interlaced RGB Mode.....	74
• Added i940: MPU COUNTER_REALTIME saturates after several hundred days.....	75
• Added i935: MSI Bit in PCIECTRL_TI_CONF_IRQSTATUS_MSI Register Does Not Clear Automatically...	103
• Added i937: HDMI Transmitter is Marginal to Source Eye Mask Requirements Above 177MHz.....	104

This page intentionally left blank.

IMPORTANT NOTICE AND DISCLAIMER

TI PROVIDES TECHNICAL AND RELIABILITY DATA (INCLUDING DATA SHEETS), DESIGN RESOURCES (INCLUDING REFERENCE DESIGNS), APPLICATION OR OTHER DESIGN ADVICE, WEB TOOLS, SAFETY INFORMATION, AND OTHER RESOURCES "AS IS" AND WITH ALL FAULTS, AND DISCLAIMS ALL WARRANTIES, EXPRESS AND IMPLIED, INCLUDING WITHOUT LIMITATION ANY IMPLIED WARRANTIES OF MERCHANTABILITY, FITNESS FOR A PARTICULAR PURPOSE OR NON-INFRINGEMENT OF THIRD PARTY INTELLECTUAL PROPERTY RIGHTS.

These resources are intended for skilled developers designing with TI products. You are solely responsible for (1) selecting the appropriate TI products for your application, (2) designing, validating and testing your application, and (3) ensuring your application meets applicable standards, and any other safety, security, regulatory or other requirements.

These resources are subject to change without notice. TI grants you permission to use these resources only for development of an application that uses the TI products described in the resource. Other reproduction and display of these resources is prohibited. No license is granted to any other TI intellectual property right or to any third party intellectual property right. TI disclaims responsibility for, and you will fully indemnify TI and its representatives against, any claims, damages, costs, losses, and liabilities arising out of your use of these resources.

TI's products are provided subject to [TI's Terms of Sale](#) or other applicable terms available either on ti.com or provided in conjunction with such TI products. TI's provision of these resources does not expand or otherwise alter TI's applicable warranties or warranty disclaimers for TI products.

TI objects to and rejects any additional or different terms you may have proposed.

Mailing Address: Texas Instruments, Post Office Box 655303, Dallas, Texas 75265
Copyright © 2022, Texas Instruments Incorporated