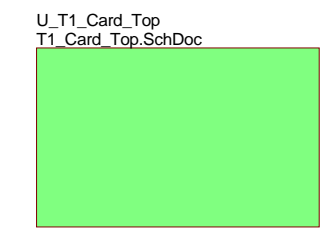
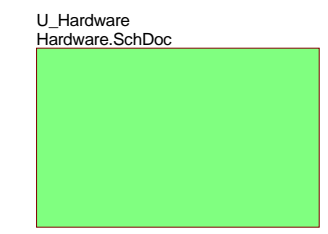
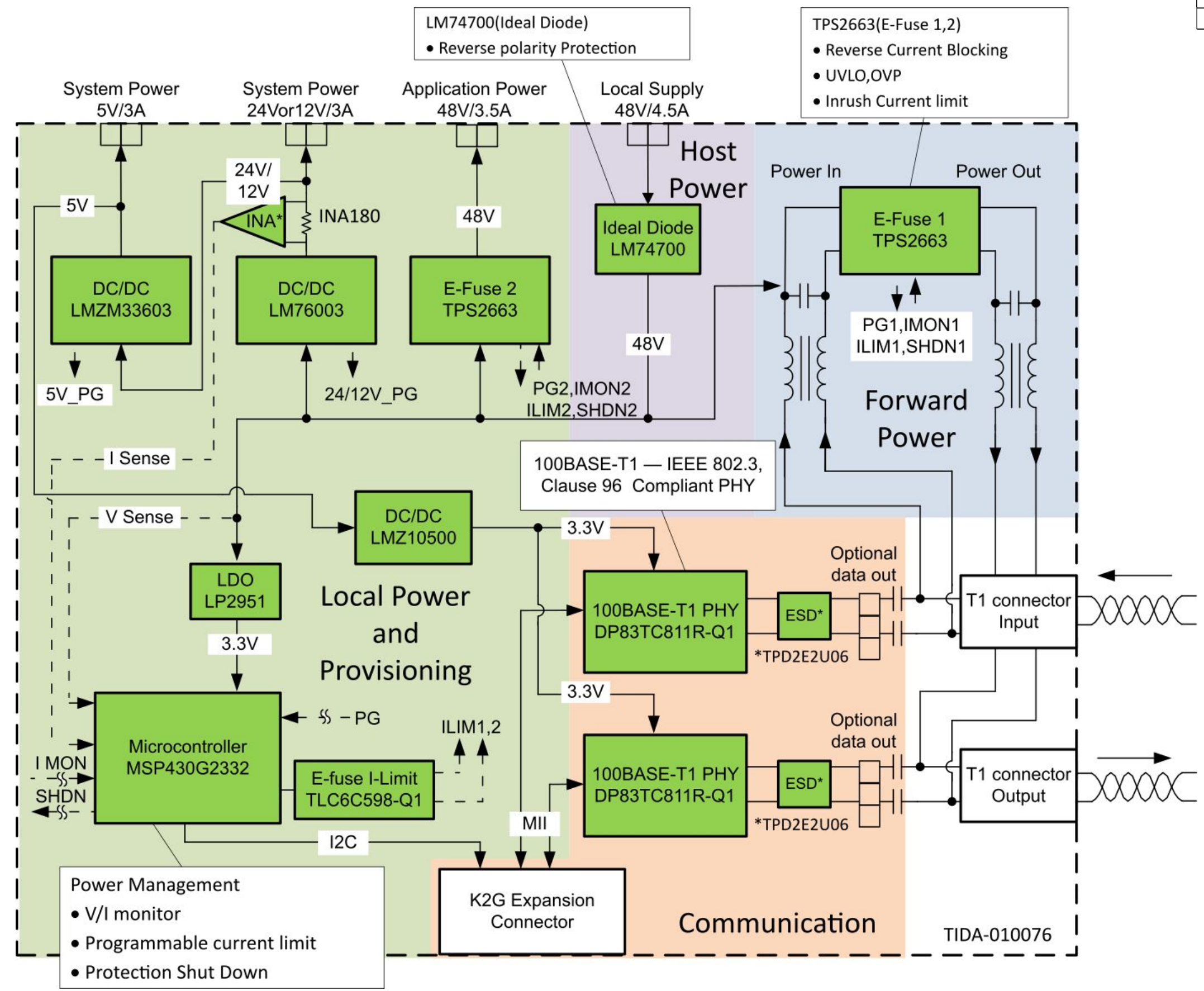


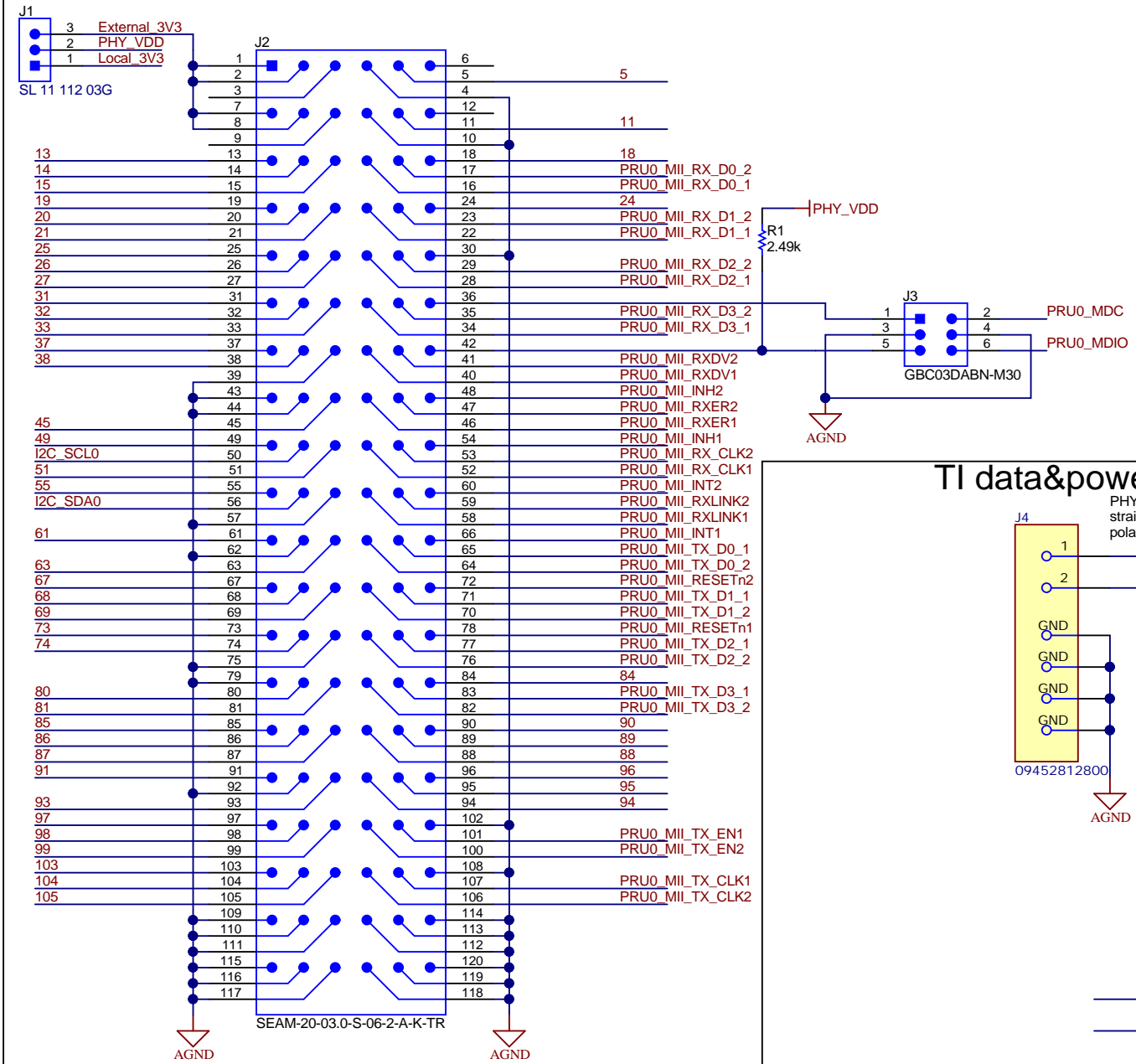
Revision History				
Rev	ECN #	Approved Date	Approved by	Notes
N/A	N/A	N/A	N/A	N/A



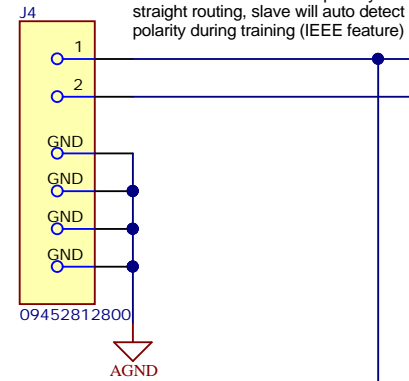
Texas Instruments and/or its licensors do not warrant the accuracy or completeness of this specification or any information contained therein. Texas Instruments and/or its licensors do not warrant that this design will meet the specifications, will be suitable for your application or fit for any particular purpose, or will operate in an implementation. Texas Instruments and/or its licensors do not warrant that the design is production worthy. You should completely validate and test your design implementation to confirm the system functionality for your application.

Orderable:	Designed for: Public Release	Mod. Date: 11/27/2019	TEXAS INSTRUMENTS
TID #: TIDA-010076	Project Title: Change in menu Project Project Options Parameters	Sheet Title:	
Number: TIDA-010076   Rev: E1	Assembly Variant: [No Variations]	Sheet: 1 of 14	http://www.ti.com
SVN Rev: Not in version control	File: T1_Card_Cover.SchDoc	Size: B	© Texas Instruments 2019
Drawn By: Andy Lin (TI)	Contact: http://www.ti.com/support		
Engineer: I. Frank (TI)			

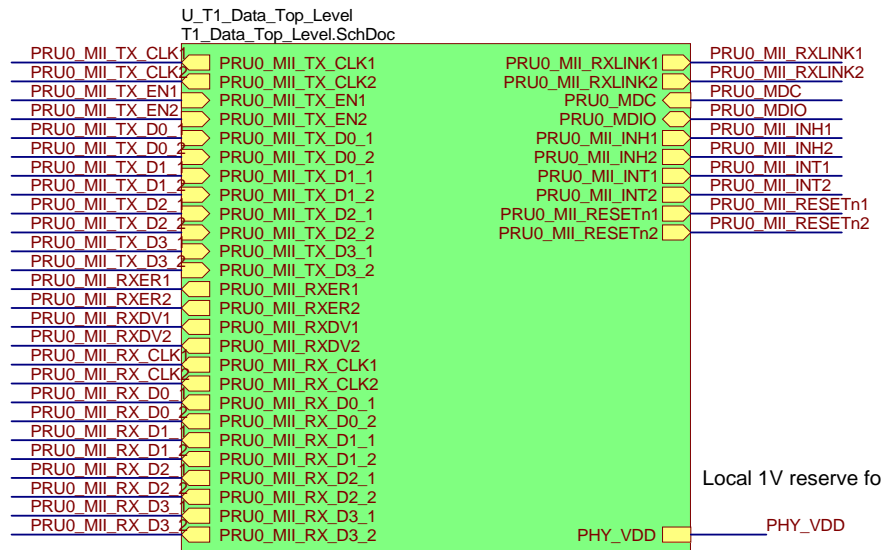
# Connect with K2GICE expansion connector



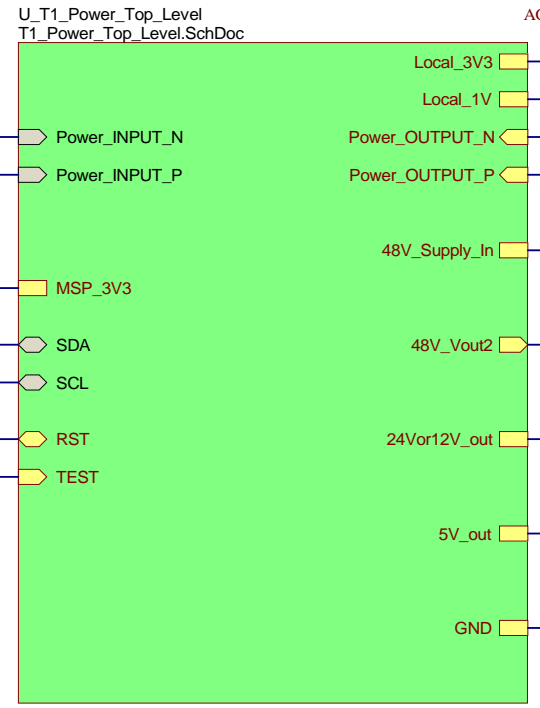
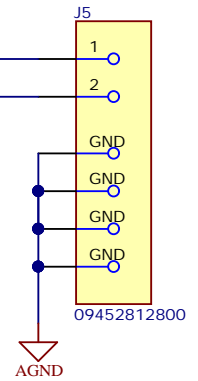
## TI data&power In



PHY is used with reverse polarity for straight routing, slave will auto detect polarity during training (IEEE feature)

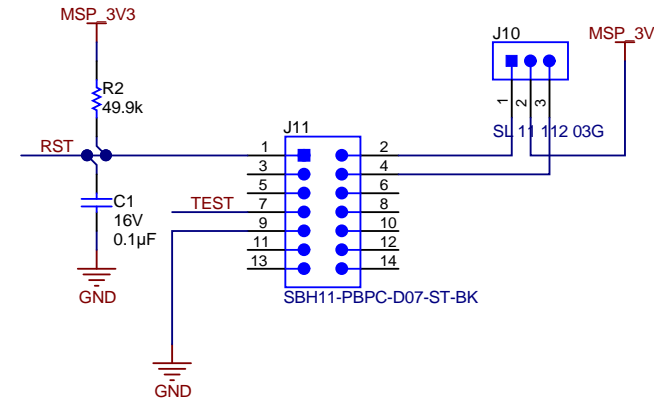


## TI data&power Out



Main supply  
Application power  
Communication power

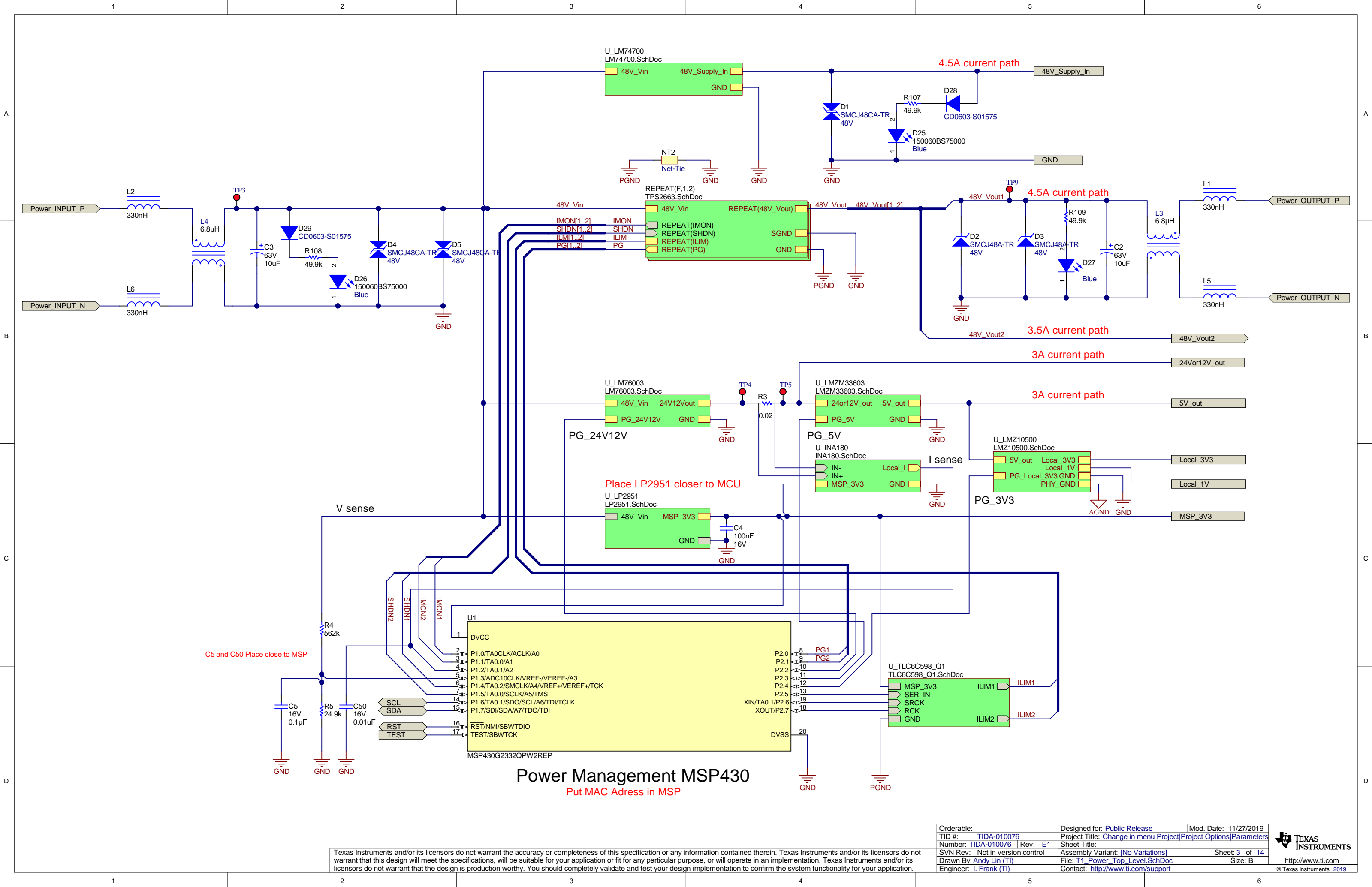
## MSP430 Programming Connector



Texas Instruments and/or its licensors do not warrant the accuracy or completeness of this specification or any information contained therein. Texas Instruments and/or its licensors do not warrant that this design will meet the specifications, will be suitable for your application or fit for any particular purpose, or will operate in an implementation. Texas Instruments and/or its licensors do not warrant that the design is production worthy. You should completely validate and test your design implementation to confirm the system functionality for your application.

Orderable:	Designed for: Public Release	Mod. Date: 11/27/2019
TID #: TIDA-010076	Project Title: Change in menu Project/Project Options/Parameters	
Number: TIDA-010076   Rev: E1	Sheet Title:	
SVN Rev: Not in version control	Assembly Variant: [No Variations]	Sheet: 2 of 14
Drawn By: Andy Lin (TI)	File: T1_Card_Top.SchDoc	Size: B
Engineer: I. Frank (TI)	Contact: <a href="http://www.ti.com/support">http://www.ti.com/support</a>	





## Power Management MSP430

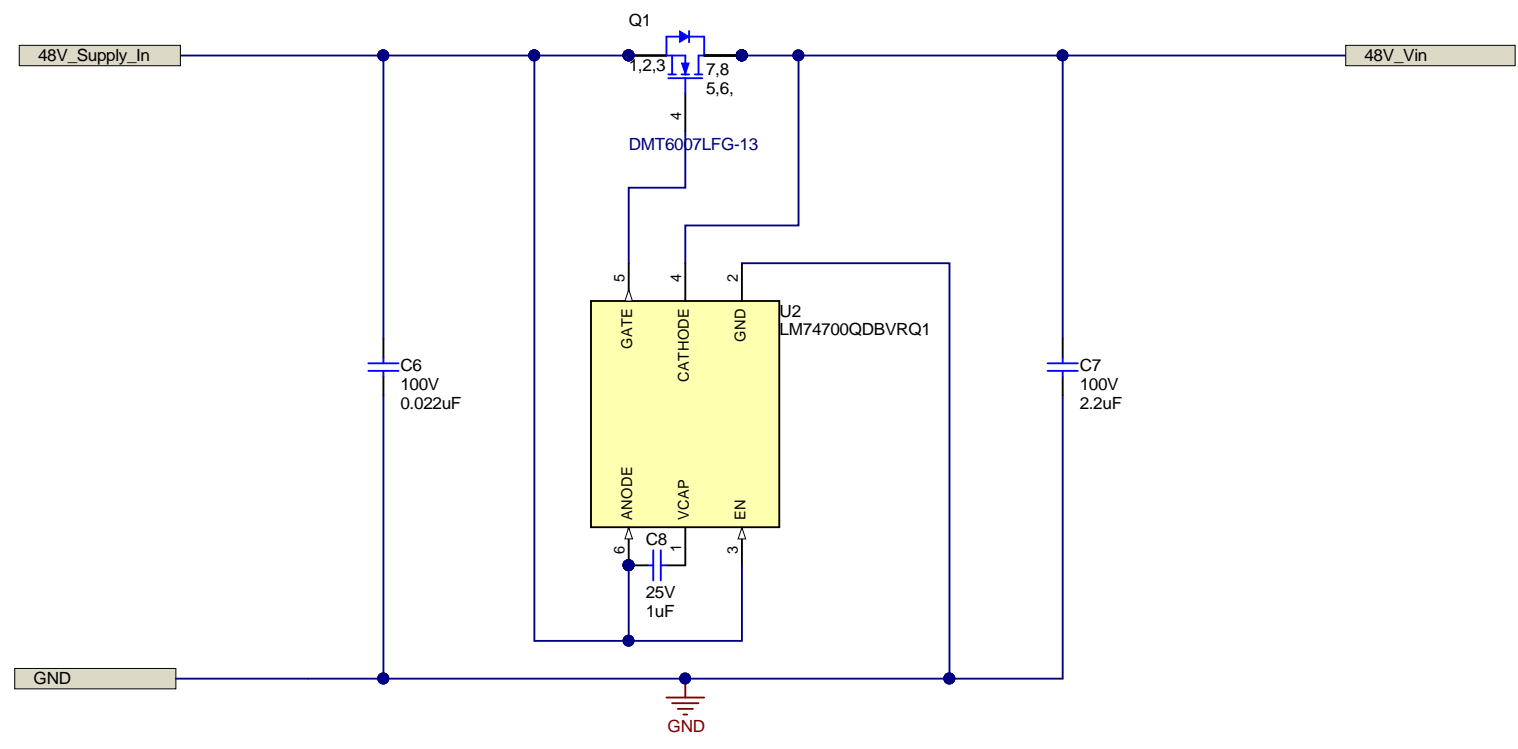
Put MAC Adress in MSP

Texas Instruments and/or its licensors do not warrant the accuracy or completeness of this specification or any information contained therein. Texas Instruments and/or its licensors do not warrant that this design will meet the specifications, will be suitable for your application or fit for any particular purpose, or will operate in an implementation. Texas Instruments and/or its licensors do not warrant that the design is production worthy. You should completely validate and test your design implementation to confirm the system functionality for your application.


Orderable:	Designed for: Public Release	Mod. Date: 11/27/2019
TID #: TIDA-010076	Project Title: Change in menu Project/Project Options/Parameters	
Number: TIDA-010076   Rev: E1	Sheet Title:	
SVN Rev: Not in version control	Assembly Variant: [No Variations]	Sheet: 3 of 14
Drawn By: Andy Lin (TI)	File: T1_Power_Top_Level.SchDoc	Size: B
Engineer: I. Frank (TI)	Contact: <a href="http://www.ti.com/support">http://www.ti.com/support</a>	

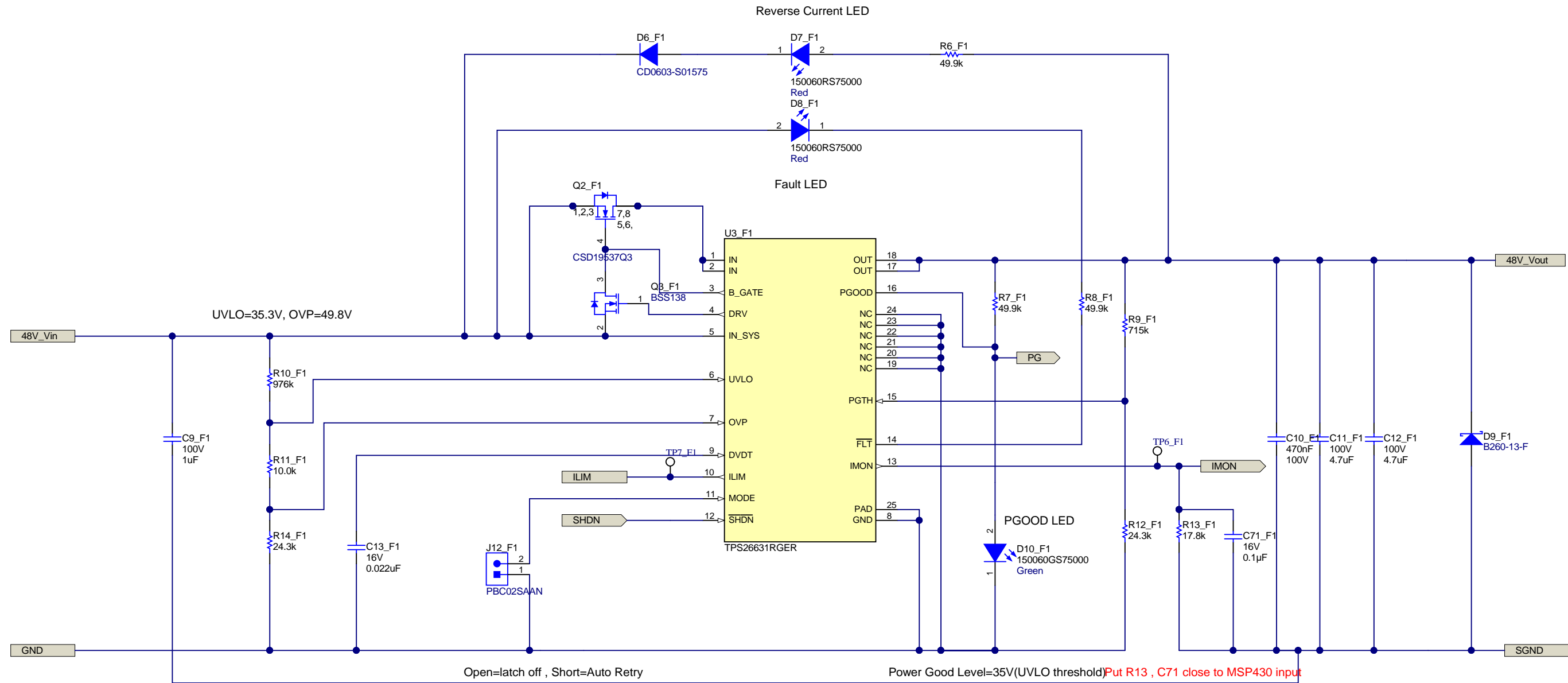


© Texas Instruments 2019



Texas Instruments and/or its licensors do not warrant the accuracy or completeness of this specification or any information contained therein. Texas Instruments and/or its licensors do not warrant that this design will meet the specifications, will be suitable for your application or fit for any particular purpose, or will operate in an implementation. Texas Instruments and/or its licensors do not warrant that the design is production worthy. You should completely validate and test your design implementation to confirm the system functionality for your application.

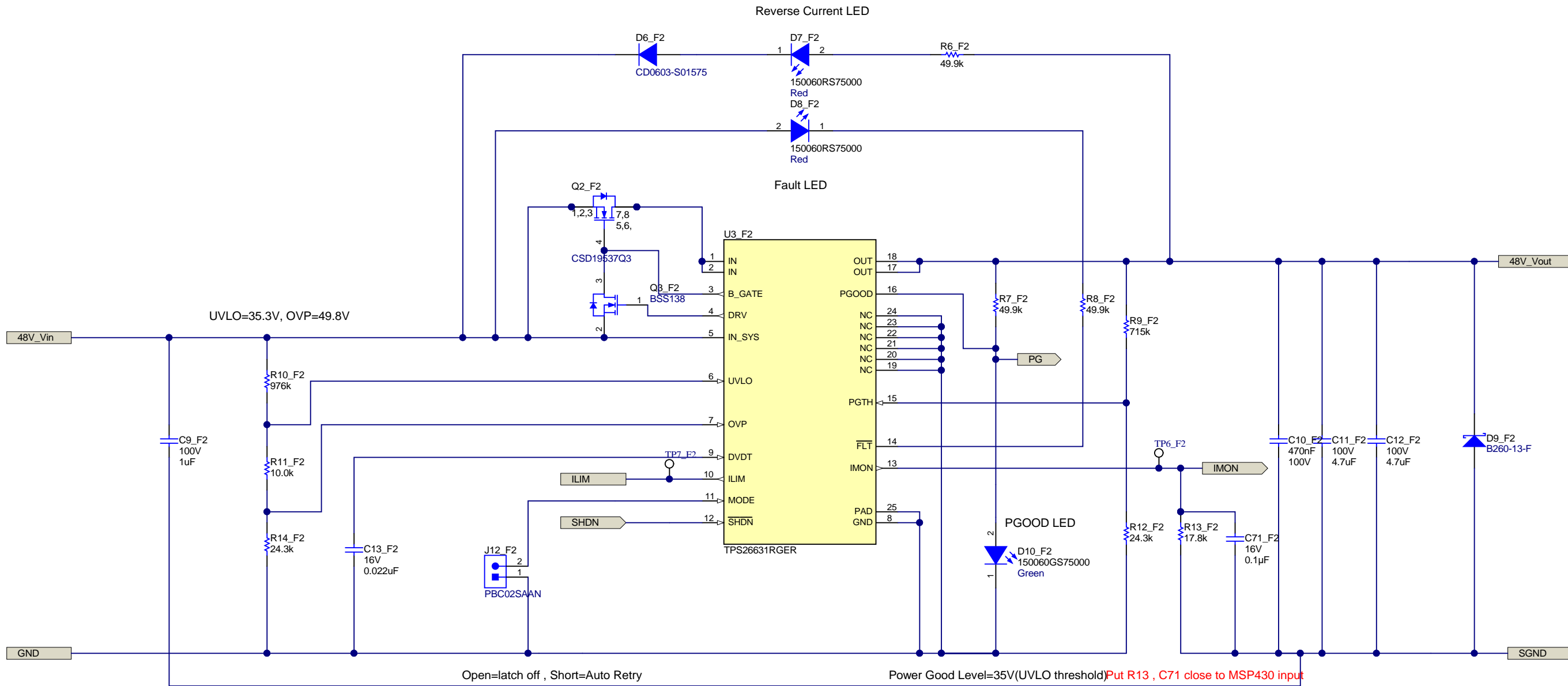
Orderable:	Designed for: Public Release	Mod. Date: 11/27/2019	 <a href="http://www.ti.com">http://www.ti.com</a>
TID #: TIDA-010076	Project Title: Change in menu Project Project Options Parameters	Sheet: 4 of 14	
Number: TIDA-010076   Rev: E1	Assembly Variant: [No Variations]	Size: B	© Texas Instruments 2019
SVN Rev: Not in version control	File: LM74700.SchDoc	Contact: <a href="http://www.ti.com/support">http://www.ti.com/support</a>	
Drawn By: Andy Lin (TI)			
Engineer: I. Frank (TI)			



Texas Instruments and/or its licensors do not warrant the accuracy or completeness of this specification or any information contained therein. Texas Instruments and/or its licensors do not warrant that this design will meet the specifications, will be suitable for your application or fit for any particular purpose, or will operate in an implementation. Texas Instruments and/or its licensors do not warrant that the design is production worthy. You should completely validate and test your design implementation to confirm the system functionality for your application.

Orderable:	Designed for: Public Release	Mod. Date: 11/27/2019
TID #: TIDA-010076	Project Title: Change in menu Project/Parameters	
Number: TIDA-010076 Rev: E1	Sheet Title:	
SVN Rev: Not in version control	Assembly Variant: [No Variations]	Sheet: 5 of 14
Drawn By: Andy Lin (TI)	File: TPS2663.SchDoc	Size: B
Engineer: I. Frank (TI)	Contact: http://www.ti.com/support	

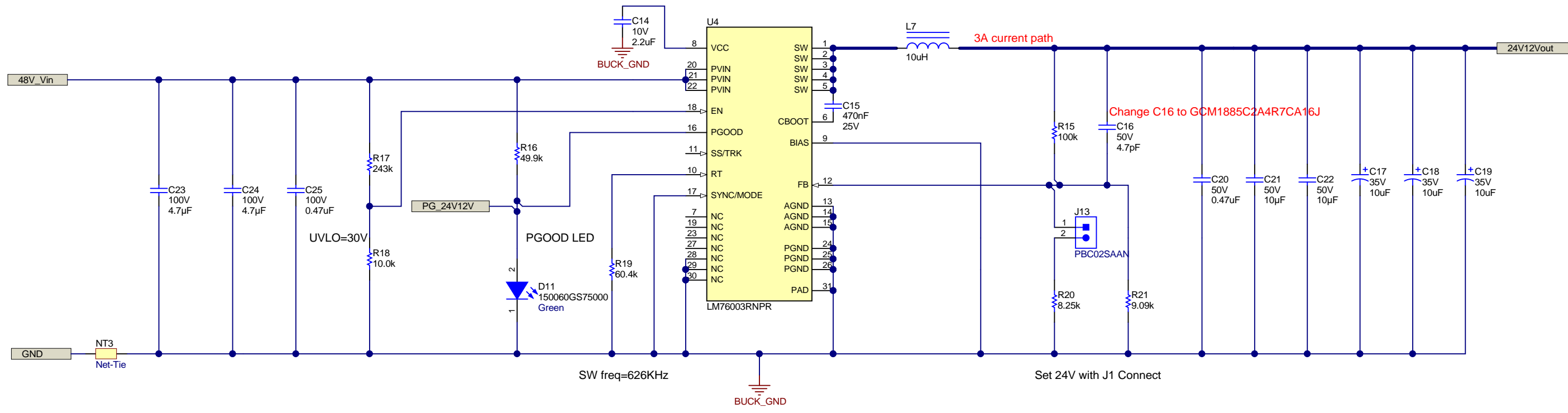




Texas Instruments and/or its licensors do not warrant the accuracy or completeness of this specification or any information contained therein. Texas Instruments and/or its licensors do not warrant that this design will meet the specifications, will be suitable for your application or fit for any particular purpose, or will operate in an implementation. Texas Instruments and/or its licensors do not warrant that the design is production worthy. You should completely validate and test your design implementation to confirm the system functionality for your application.

Orderable:	Designed for: Public Release	Mod. Date: 11/27/2019
TID #: TIDA-010076	Project Title: Change in menu Project/Parameters	
Number: TIDA-010076	Rev: E1	Sheet Title:
SVN Rev: Not in version control	Assembly Variant: [No Variations]	Sheet: 5 of 14
Drawn By: Andy Lin (TI)	File: TPS2663.SchDoc	Size: B
Engineer: I. Frank (TI)	Contact: <a href="http://www.ti.com/support">http://www.ti.com/support</a>	





Texas Instruments and/or its licensors do not warrant the accuracy or completeness of this specification or any information contained therein. Texas Instruments and/or its licensors do not warrant that this design will meet the specifications, will be suitable for your application or fit for any particular purpose, or will operate in an implementation. Texas Instruments and/or its licensors do not warrant that the design is production worthy. You should completely validate and test your design implementation to confirm the system functionality for your application.

Orderable:	Designed for: Public Release	Mod. Date: 11/27/2019
TID #: TIDA-010076	Project Title: Change in menu Project/Project Options/Parameters	
Number: TIDA-010076	Rev: E1	Sheet Title:
SVN Rev: Not in version control	Assembly Variant: [No Variations]	Sheet: 6 of 14
Drawn By: Andy Lin (TI)	File: LM76003.SchDoc	Size: B
Engineer: I. Frank (TI)	Contact: <a href="http://www.ti.com/support">http://www.ti.com/support</a>	



© Texas Instruments 2019

Rember to Change C30-C33 to => GRM21BD71A226ME44L

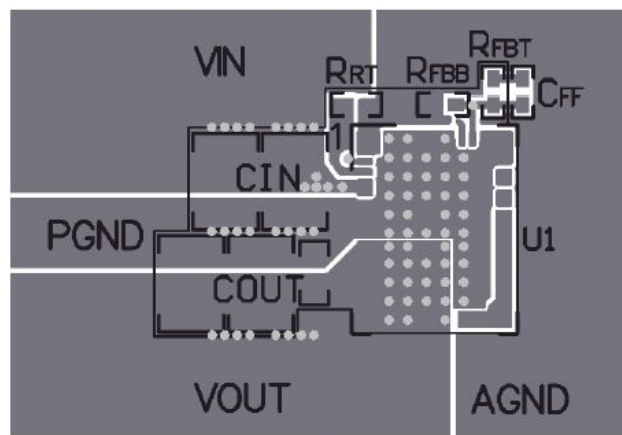
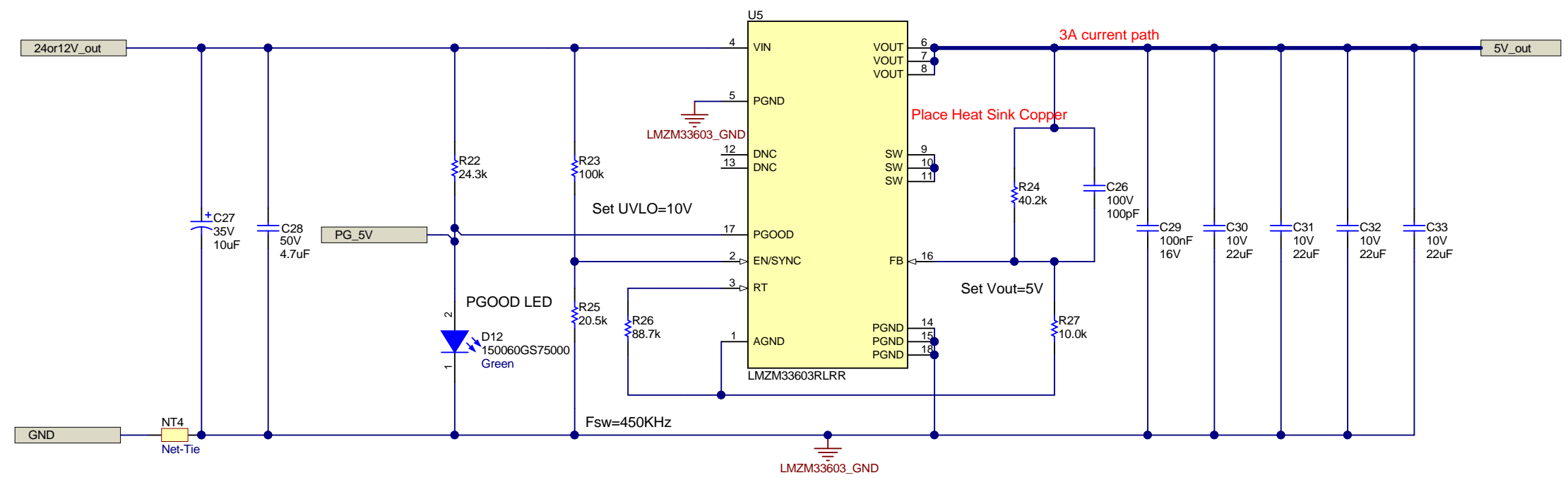


Figure 38. Typical Top-Layer Layout

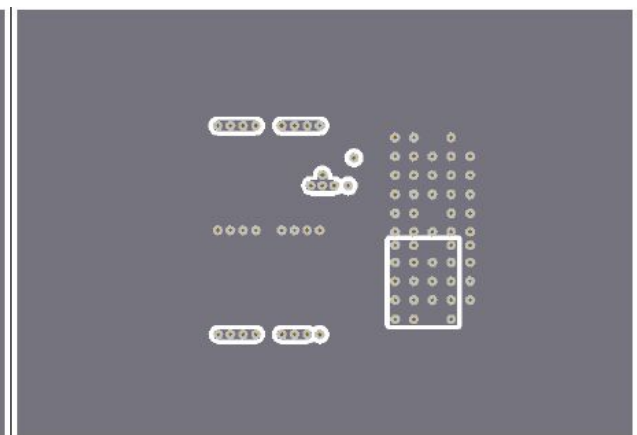


Figure 39. Typical Layer-2 Layout

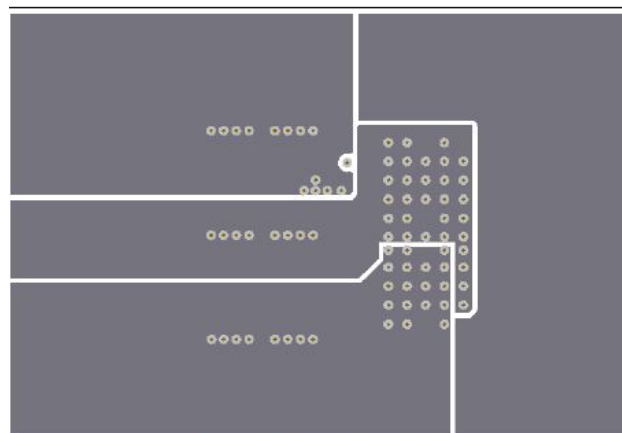


Figure 40. Typical Layer 3 Layout

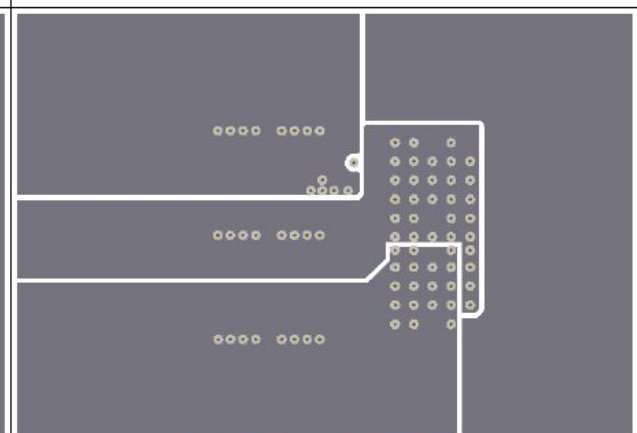
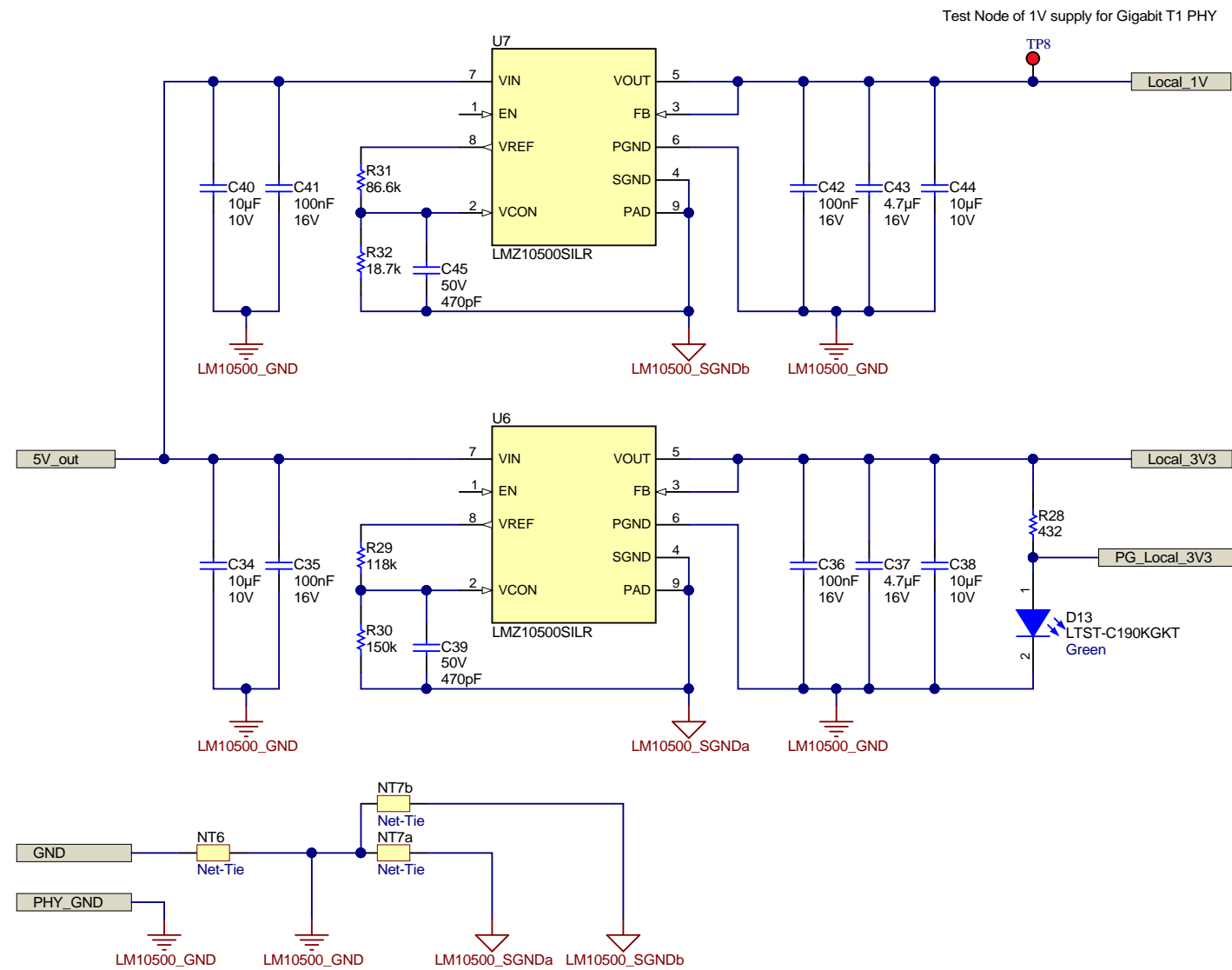


Figure 41. Typical Bottom-Layer Layout

Texas Instruments and/or its licensors do not warrant the accuracy or completeness of this specification or any information contained therein. Texas Instruments and/or its licensors do not warrant that this design will meet the specifications, will be suitable for your application or fit for any particular purpose, or will operate in an implementation. Texas Instruments and/or its licensors do not warrant that the design is production worthy. You should completely validate and test your design implementation to confirm the system functionality for your application.

Orderable:	Designed for: Public Release	Mod. Date: 11/27/2019	TEXAS INSTRUMENTS
TID #: TIDA-010076	Project Title: Change in menu Project/Project Options/Parameters	Sheet: 7 of 14	
Number: TIDA-010076   Rev: E1	Assembly Variant: [No Variations]	File: LMZM33603.SchDoc	http://www.ti.com
SVN Rev: Not in version control	Drawn By: Andy Lin (TI)	Size: B	
Engineer: I. Frank (TI)	Contact: http://www.ti.com/support		© Texas Instruments 2019





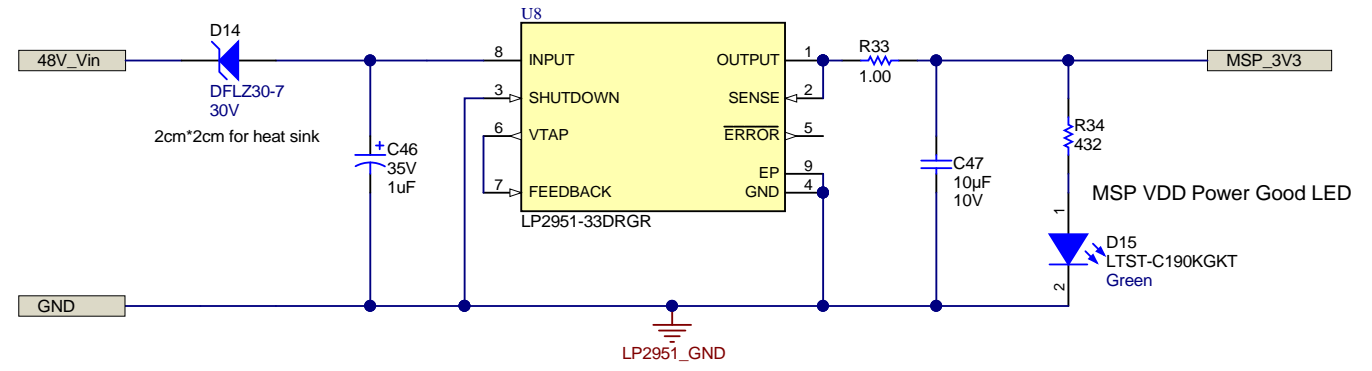
Separate two LM10500's SGND with Net-Tie  
 connect LM10500's PGND to AGND(PHY\_GND) , and separate AGND and GND(system GND) with Net-Tie

Orderable:	Designed for: Public Release	Mod. Date: 11/27/2019
TID #: TIDA-010076	Project Title: Change in menu Project\Project Options\Parameters	
Number: TIDA-010076   Rev: E1	Sheet Title:	
SVN Rev: Not in version control	Assembly Variant: [No Variations]	Sheet: 8 of 14
Drawn By: Andy Lin (TI)	File: LMZ10500.SchDoc	Size: B
Engineer: I. Frank (TI)	Contact: <a href="http://www.ti.com/support">http://www.ti.com/support</a>	

Texas Instruments and/or its licensors do not warrant the accuracy or completeness of this specification or any information contained therein. Texas Instruments and/or its licensors do not warrant that this design will meet the specifications, will be suitable for your application or fit for any particular purpose, or will operate in an implementation. Texas Instruments and/or its licensors do not warrant that the design is production worthy. You should completely validate and test your design implementation to confirm the system functionality for your application.



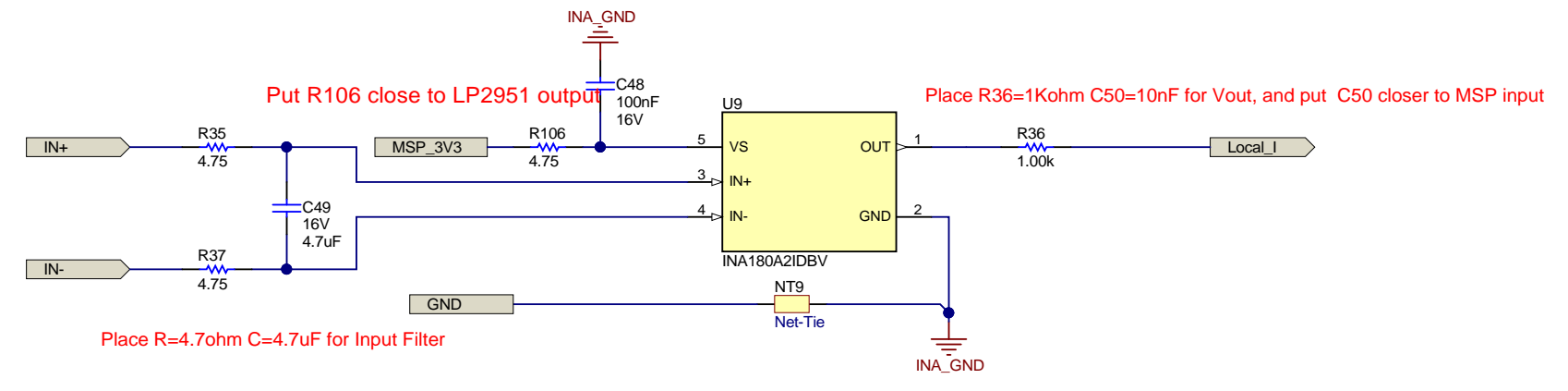
http://www.ti.com  
 © Texas Instruments 2019



Texas Instruments and/or its licensors do not warrant the accuracy or completeness of this specification or any information contained therein. Texas Instruments and/or its licensors do not warrant that this design will meet the specifications, will be suitable for your application or fit for any particular purpose, or will operate in an implementation. Texas Instruments and/or its licensors do not warrant that the design is production worthy. You should completely validate and test your design implementation to confirm the system functionality for your application.

Orderable:	Designed for: Public Release	Mod. Date: 11/27/2019
TID #: TIDA-010076	Project Title: Change in menu Project Project Options Parameters	
Number: TIDA-010076   Rev: E1	Sheet Title:	
SVN Rev: Not in version control	Assembly Variant: [No Variations]	Sheet: 9 of 14
Drawn By: Andy Lin (TI)	File: LP2951.SchDoc	Size: B
Engineer: I. Frank (TI)	Contact: <a href="http://www.ti.com/support">http://www.ti.com/support</a>	

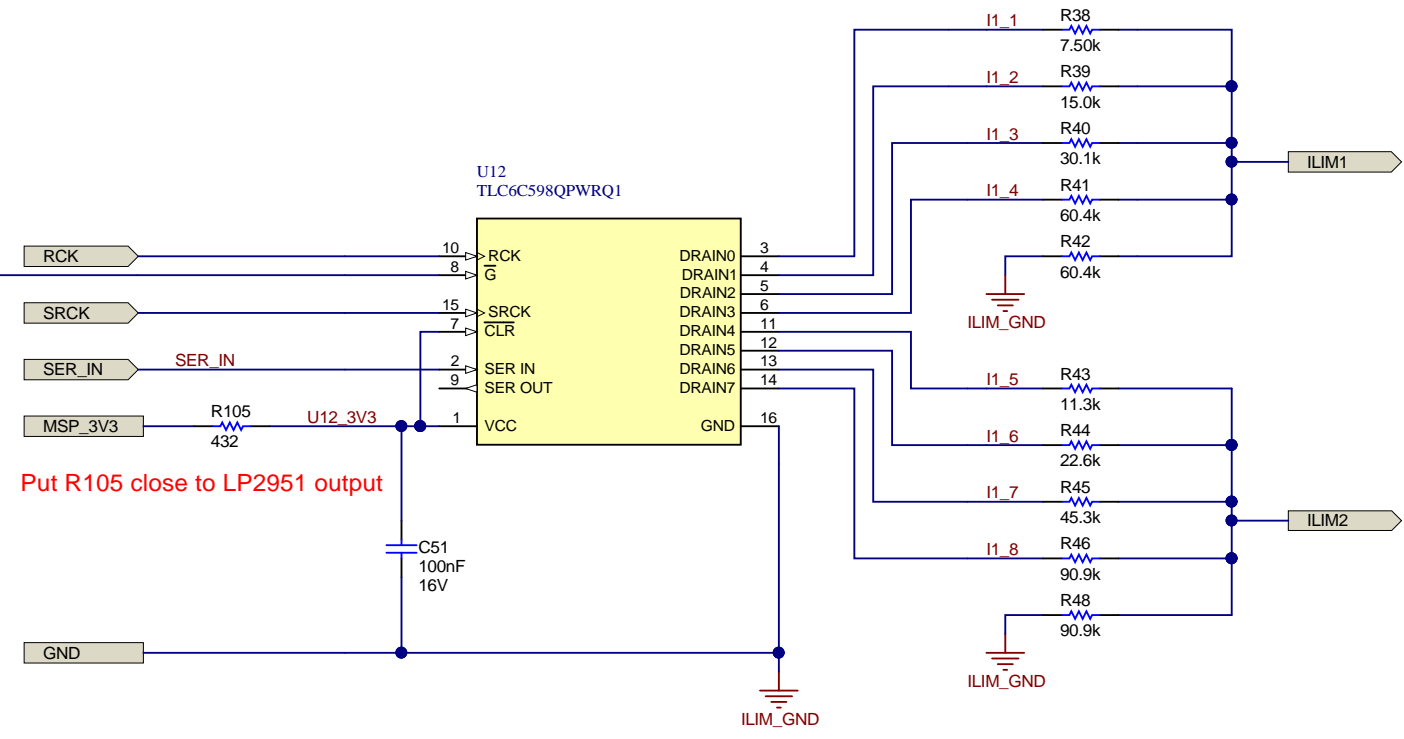
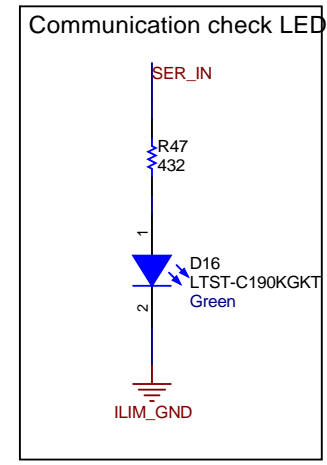
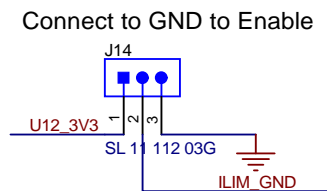
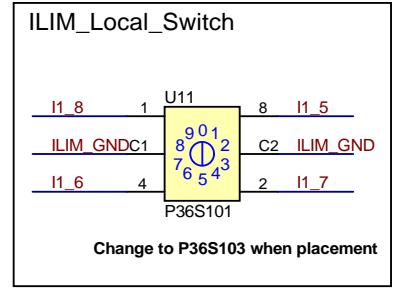
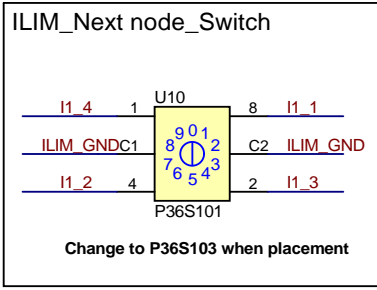




Texas Instruments and/or its licensors do not warrant the accuracy or completeness of this specification or any information contained therein. Texas Instruments and/or its licensors do not warrant that this design will meet the specifications, will be suitable for your application or fit for any particular purpose, or will operate in an implementation. Texas Instruments and/or its licensors do not warrant that the design is production worthy. You should completely validate and test your design implementation to confirm the system functionality for your application.

Orderable:	Designed for: Public Release	Mod. Date: 11/27/2019
TID #: TIDA-010076	Project Title: Change in menu Project Project Options Parameters	
Number: TIDA-010076   Rev: E1	Sheet Title:	
SVN Rev: Not in version control	Assembly Variant: [No Variations]	Sheet: 10 of 14
Drawn By: Andy Lin (TI)	File: INA180.SchDoc	Size: B
Engineer: I. Frank (TI)	Contact: <a href="http://www.ti.com/support">http://www.ti.com/support</a>	

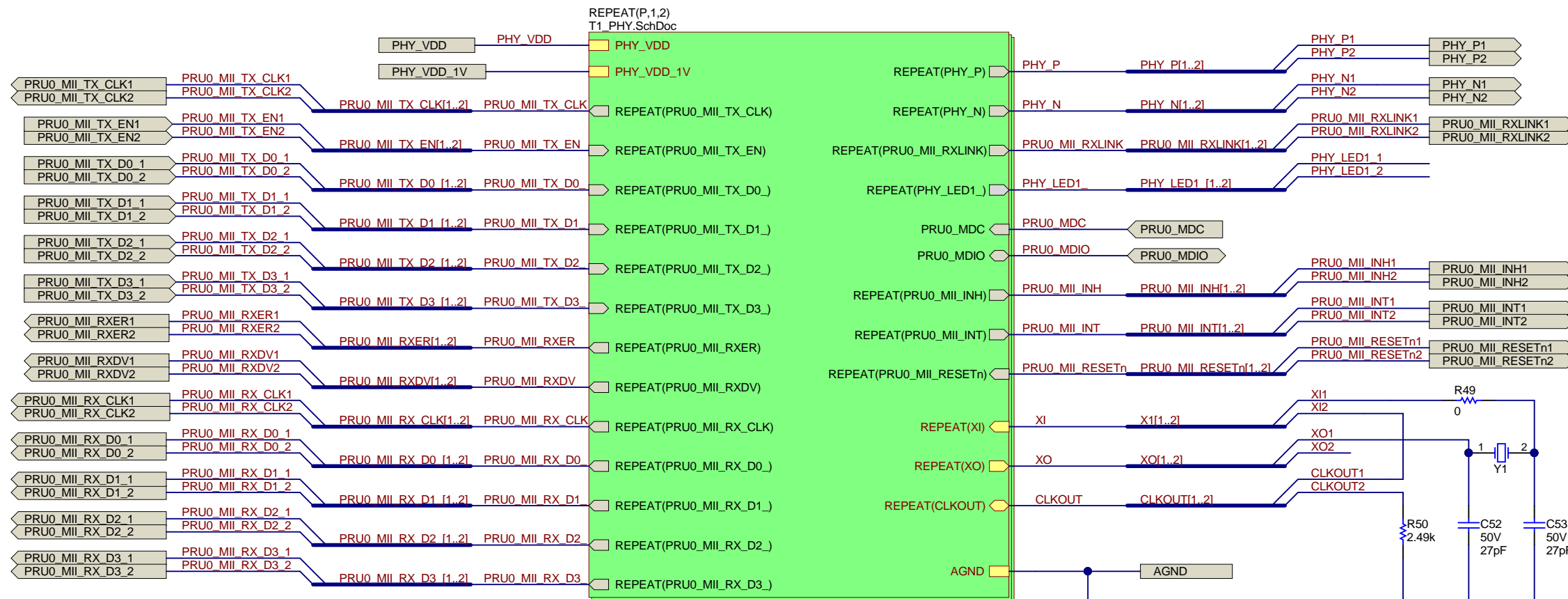




Texas Instruments and/or its licensors do not warrant the accuracy or completeness of this specification or any information contained therein. Texas Instruments and/or its licensors do not warrant that this design will meet the specifications, will be suitable for your application or fit for any particular purpose, or will operate in an implementation. Texas Instruments and/or its licensors do not warrant that the design is production worthy. You should completely validate and test your design implementation to confirm the system functionality for your application.

Orderable:	Designed for: Public Release	Mod. Date: 11/27/2019
TID #: TIDA-010076	Project Title: Change in menu Project Project Options Parameters	
Number: TIDA-010076   Rev: E1	Sheet Title:	
SVN Rev: Not in version control	Assembly Variant: [No Variations]	Sheet: 11 of 14
Drawn By: Andy Lin (TI)	File: TLC6C598_Q1.SchDoc	Size: B
Engineer: I. Frank (TI)	Contact: <a href="http://www.ti.com/support">http://www.ti.com/support</a>	





PHY Address = 0001

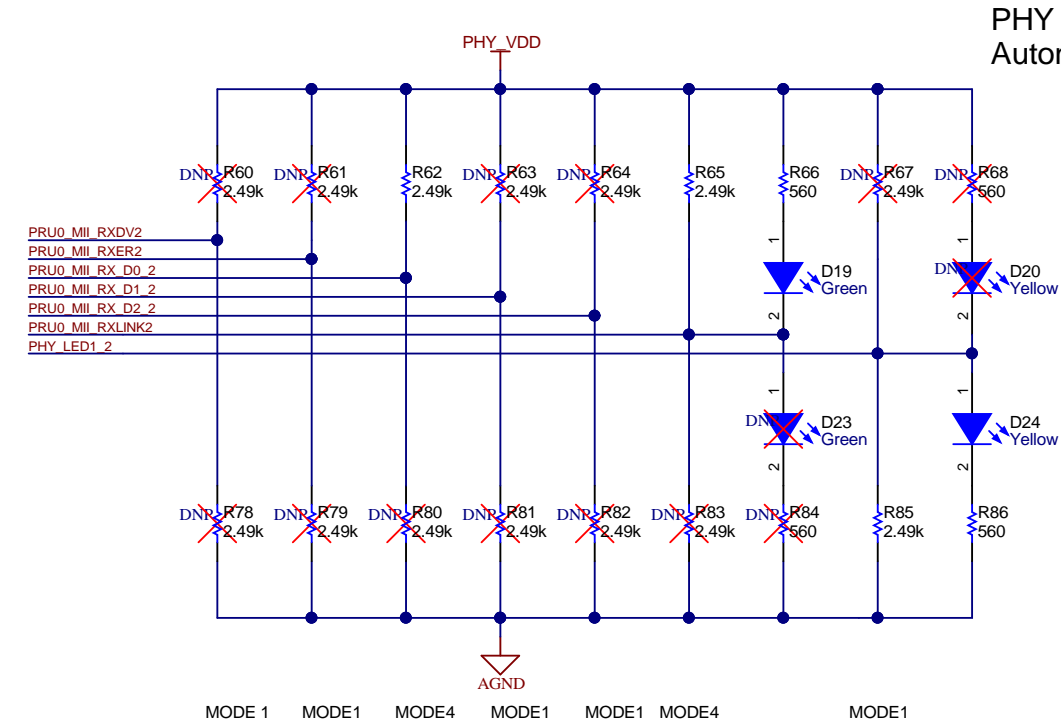
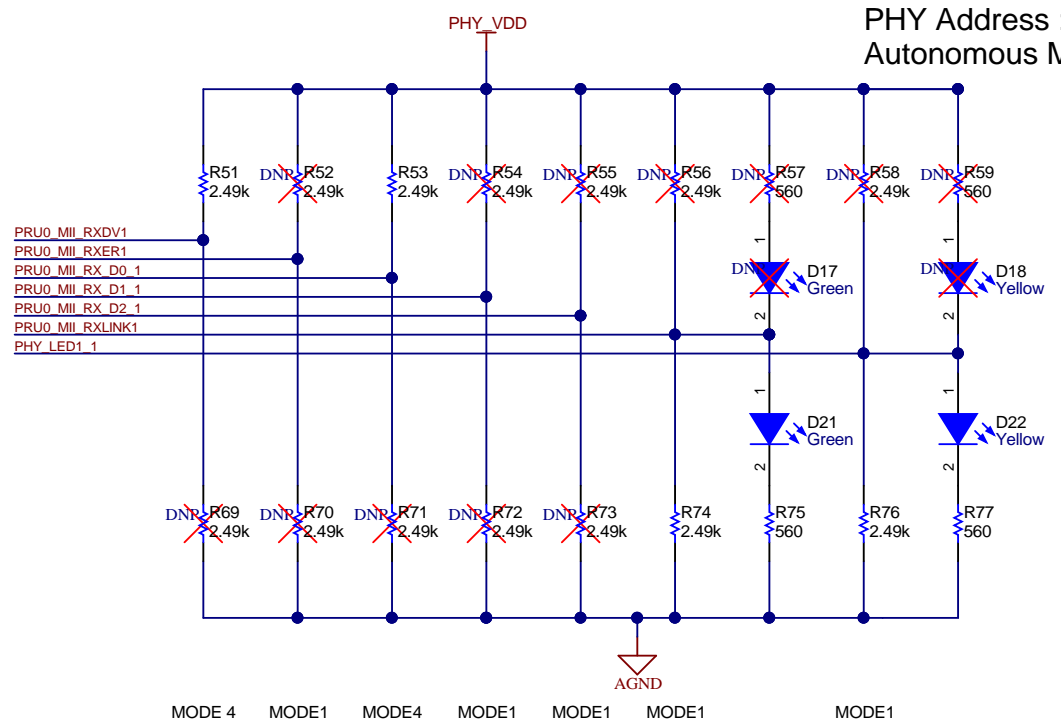
PHY Address = 0000

MAC Interface Selection : MII  
 Master Slave Selection : Slave  
 Test Mode Selection : Normal  
 PHY Address : 0001  
 Autonomous Mode : Autonomous

MAC Interface Selection : MII  
 Master Slave Selection : Master  
 Test Mode Selection : Normal  
 PHY Address : 0000  
 Autonomous Mode : Autonomous mode

### PHY1 strap configuration

### PHY2 strap configuration



Texas Instruments and/or its licensors do not warrant the accuracy or completeness of this specification or any information contained therein. Texas Instruments and/or its licensors do not warrant that this design will meet the specifications, will be suitable for your application or fit for any particular purpose, or will operate in an implementation. Texas Instruments and/or its licensors do not warrant that the design is production worthy. You should completely validate and test your design implementation to confirm the system functionality for your application.

A

B

C

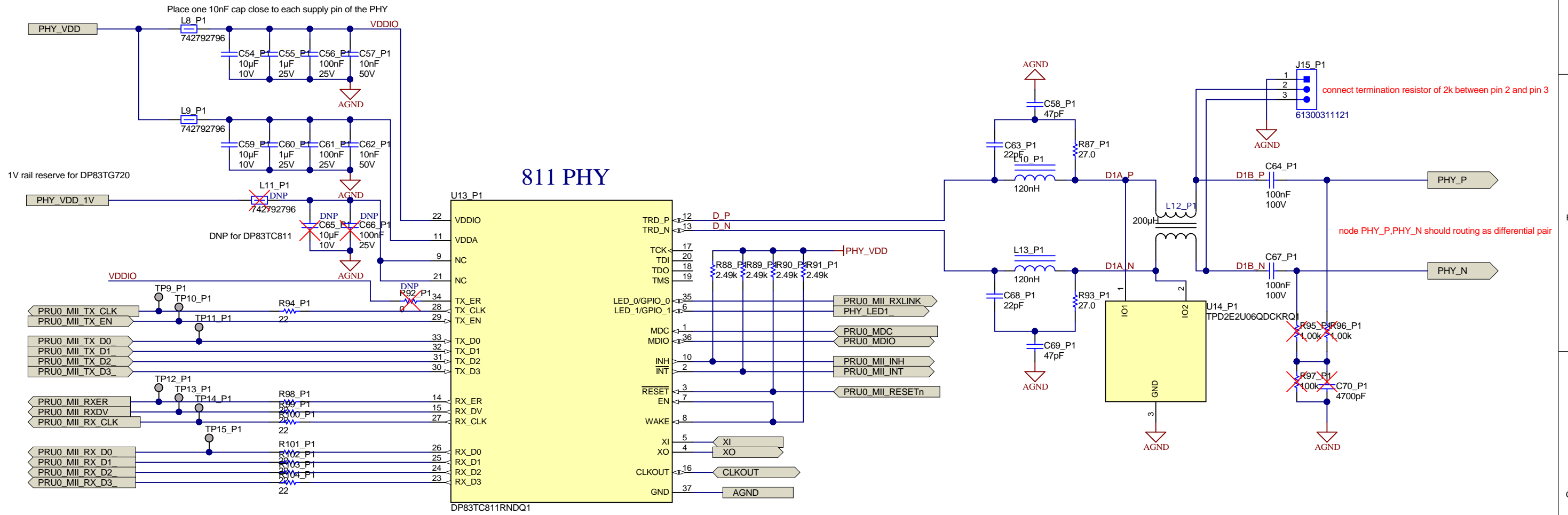
D

A

B

C

D



Texas Instruments and/or its licensors do not warrant the accuracy or completeness of this specification or any information contained therein. Texas Instruments and/or its licensors do not warrant that this design will meet the specifications, will be suitable for your application or fit for any particular purpose, or will operate in an implementation. Texas Instruments and/or its licensors do not warrant that the design is production worthy. You should completely validate and test your design implementation to confirm the system functionality for your application.

Orderable:	Designed for: Public Release	Mod. Date: 11/27/2019
TID #: TIDA-010076	Project Title: Change in menu Project/Project Options/Parameters	
Number: TIDA-010076   Rev: E1	Sheet Title:	
SVN Rev: Not in version control	Assembly Variant: [No Variations]	Sheet: 13 of 14
Drawn By: Andy Lin (TI)	File: T1_PHY.SchDoc	Size: B
Engineer: I. Frank (TI)	Contact: <a href="http://www.ti.com/support">http://www.ti.com/support</a>	



A

B

C

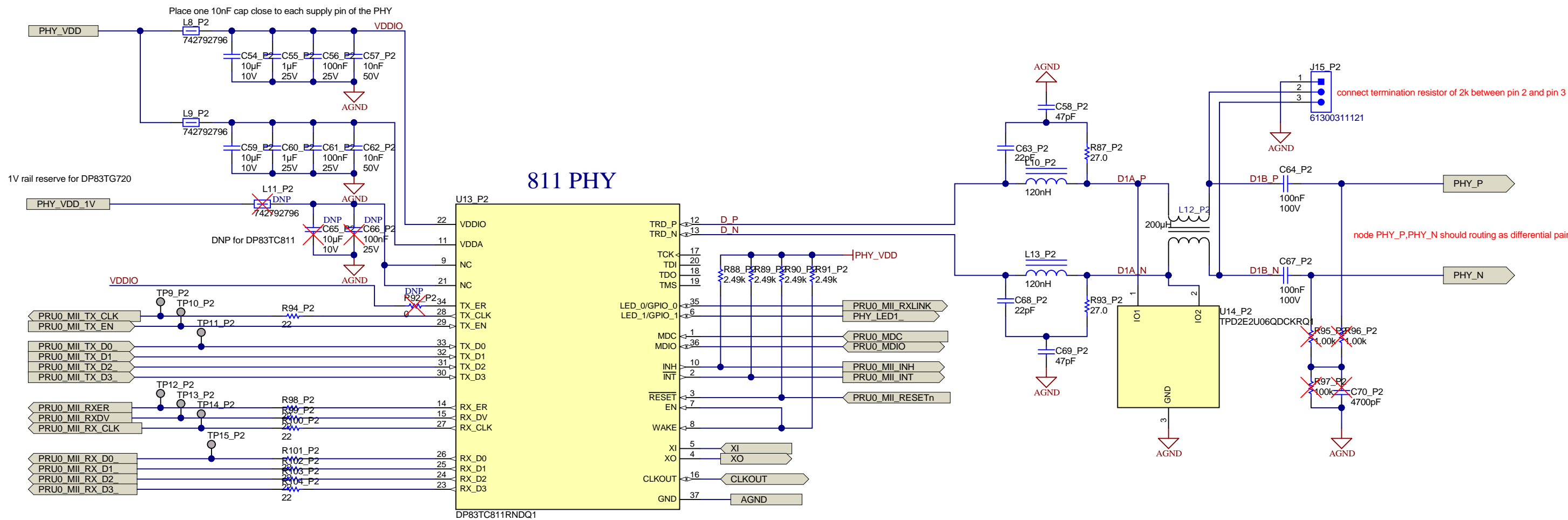
D

A

B

C

D



Texas Instruments and/or its licensors do not warrant the accuracy or completeness of this specification or any information contained therein. Texas Instruments and/or its licensors do not warrant that this design will meet the specifications, will be suitable for your application or fit for any particular purpose, or will operate in an implementation. Texas Instruments and/or its licensors do not warrant that the design is production worthy. You should completely validate and test your design implementation to confirm the system functionality for your application.

Orderable:	Designed for: Public Release	Mod. Date: 11/27/2019
TID #: TIDA-010076	Project Title: Change in menu Project/Project Options/Parameters	
Number: TIDA-010076   Rev: E1	Sheet Title:	
SVN Rev: Not in version control	Assembly Variant: [No Variations]	Sheet: 13 of 14
Drawn By: Andy Lin (TI)	File: T1_PHY.SchDoc	Size: B
Engineer: I. Frank (TI)	Contact: <a href="http://www.ti.com/support">http://www.ti.com/support</a>	





PCB Number: TIDA-010076  
PCB Rev: E1


PCB  
LOGO  
FCC disclaimer

PCB  
LOGO  
WEEE logo

LBL1  
PCB Label  
THT-14-423-10  
Size: 0.65" x 0.20 "

Variant/Label Table	
Variant	Label Text
001	Tested Version

Texas Instruments and/or its licensors do not warrant the accuracy or completeness of this specification or any information contained therein. Texas Instruments and/or its licensors do not warrant that this design will meet the specifications, will be suitable for your application or fit for any particular purpose, or will operate in an implementation. Texas Instruments and/or its licensors do not warrant that the design is production worthy. You should completely validate and test your design implementation to confirm the system functionality for your application.

Orderable:	Designed for: <a href="#">Public Release</a>	Mod. Date: 11/27/2019	 TEXAS INSTRUMENTS <a href="http://www.ti.com">http://www.ti.com</a> © Texas Instruments 2019
TID #: <a href="#">TIDA-010076</a>	Project Title: <a href="#">Change in menu Project Project Options Parameters</a>		
Number: <a href="#">TIDA-010076</a>   Rev: <a href="#">E1</a>	Sheet Title:		
SVN Rev: <a href="#">Not in version control</a>	Assembly Variant: <a href="#">[No Variations]</a>	Sheet: <a href="#">14 of 14</a>	
Drawn By: <a href="#">Andy Lin (TI)</a>	File: <a href="#">Hardware.SchDoc</a>	Size: <a href="#">B</a>	
Engineer: <a href="#">I. Frank (TI)</a>	Contact: <a href="http://www.ti.com/support">http://www.ti.com/support</a>		



## IMPORTANT NOTICE AND DISCLAIMER

TI PROVIDES TECHNICAL AND RELIABILITY DATA (INCLUDING DATASHEETS), DESIGN RESOURCES (INCLUDING REFERENCE DESIGNS), APPLICATION OR OTHER DESIGN ADVICE, WEB TOOLS, SAFETY INFORMATION, AND OTHER RESOURCES "AS IS" AND WITH ALL FAULTS, AND DISCLAIMS ALL WARRANTIES, EXPRESS AND IMPLIED, INCLUDING WITHOUT LIMITATION ANY IMPLIED WARRANTIES OF MERCHANTABILITY, FITNESS FOR A PARTICULAR PURPOSE OR NON-INFRINGEMENT OF THIRD PARTY INTELLECTUAL PROPERTY RIGHTS.

These resources are intended for skilled developers designing with TI products. You are solely responsible for (1) selecting the appropriate TI products for your application, (2) designing, validating and testing your application, and (3) ensuring your application meets applicable standards, and any other safety, security, or other requirements. These resources are subject to change without notice. TI grants you permission to use these resources only for development of an application that uses the TI products described in the resource. Other reproduction and display of these resources is prohibited. No license is granted to any other TI intellectual property right or to any third party intellectual property right. TI disclaims responsibility for, and you will fully indemnify TI and its representatives against, any claims, damages, costs, losses, and liabilities arising out of your use of these resources.

TI's products are provided subject to TI's Terms of Sale ([www.ti.com/legal/termsofsale.html](http://www.ti.com/legal/termsofsale.html)) or other applicable terms available either on [ti.com](http://ti.com) or provided in conjunction with such TI products. TI's provision of these resources does not expand or otherwise alter TI's applicable warranties or warranty disclaimers for TI products.

Mailing Address: Texas Instruments, Post Office Box 655303, Dallas, Texas 75265  
Copyright © 2020, Texas Instruments Incorporated