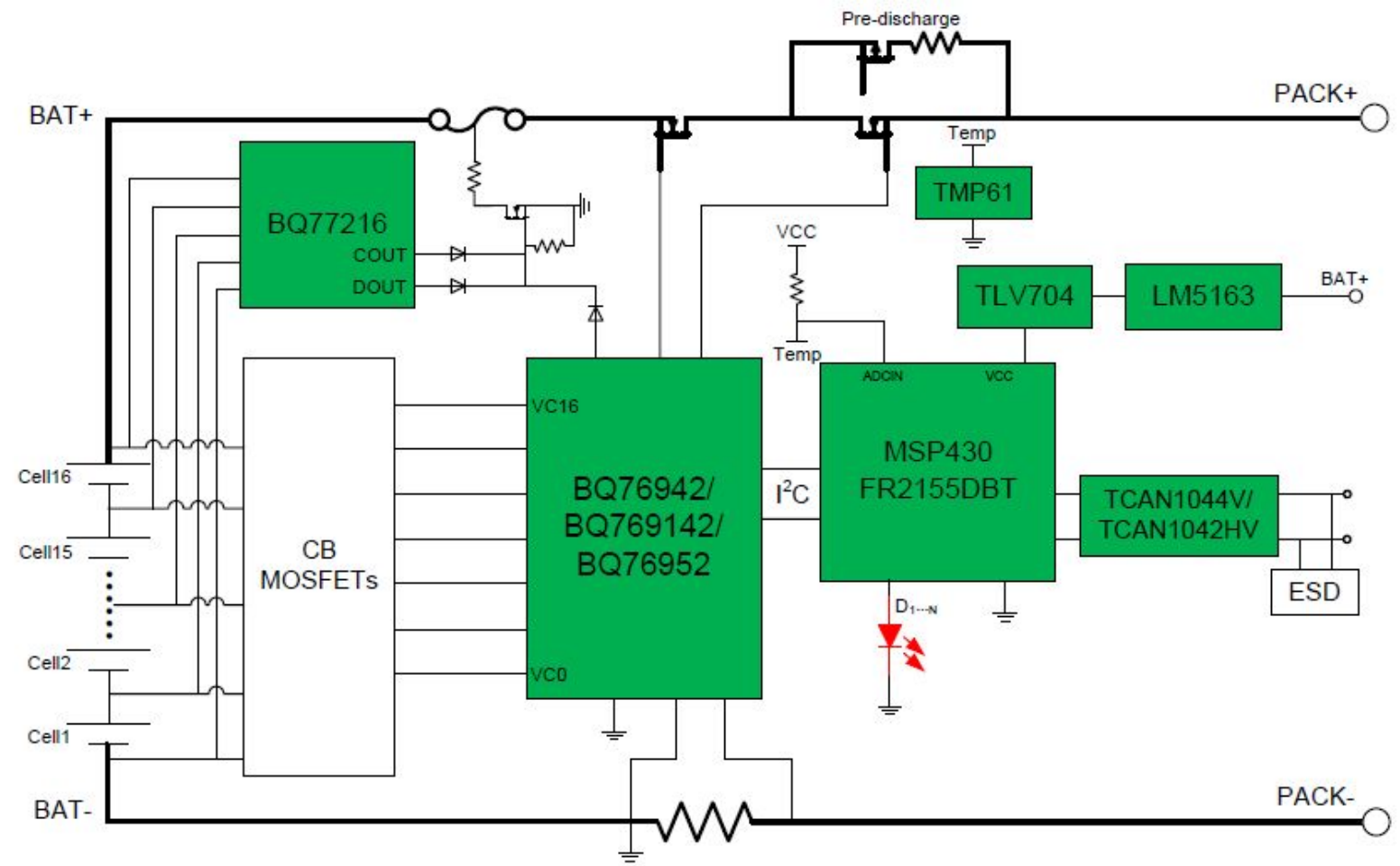


Revision History				
Rev	ECN#	Approved Date	Approved by	Notes
NA	NA	NA	NA	NA

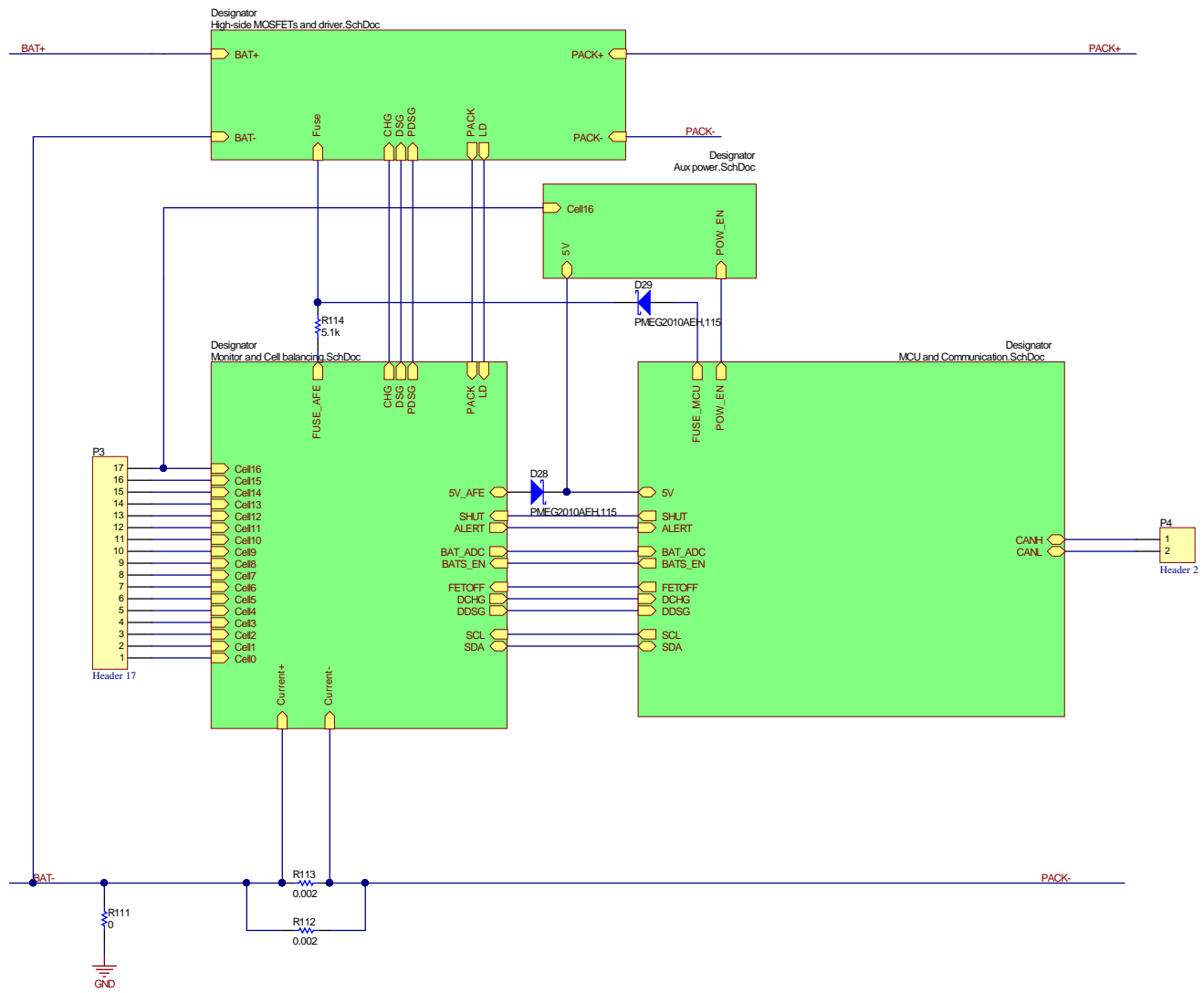


Texas Instruments and/or its licensors do not warrant the accuracy or completeness of this specification or any information contained therein. Texas Instruments and/or its licensors do not warrant that this design will meet the specifications, will be suitable for your application or fit for any particular purpose, or will operate in an implementation. Texas Instruments and/or its licensors do not warrant that the design is production worthy. You should completely validate and test your design implementation to confirm the system functionality for your application.

Orderable: N/A	Designed for: Public Release	Mod. Date: 2020/12/10
TID #: TIDA-010208	Project Title: 10s-16s Battery Pack reference design	
Number: TIDA-010208	Rev: E1	Sheet Title:
SVN Rev: Version control disabled	Assembly Variant: [No Variations]	Sheet: 1 of 7
Drawn By:	File: Coversheet.SchDoc	Size: B
Engineer: Ryan Tan	Contact: http://www.ti.com/support	



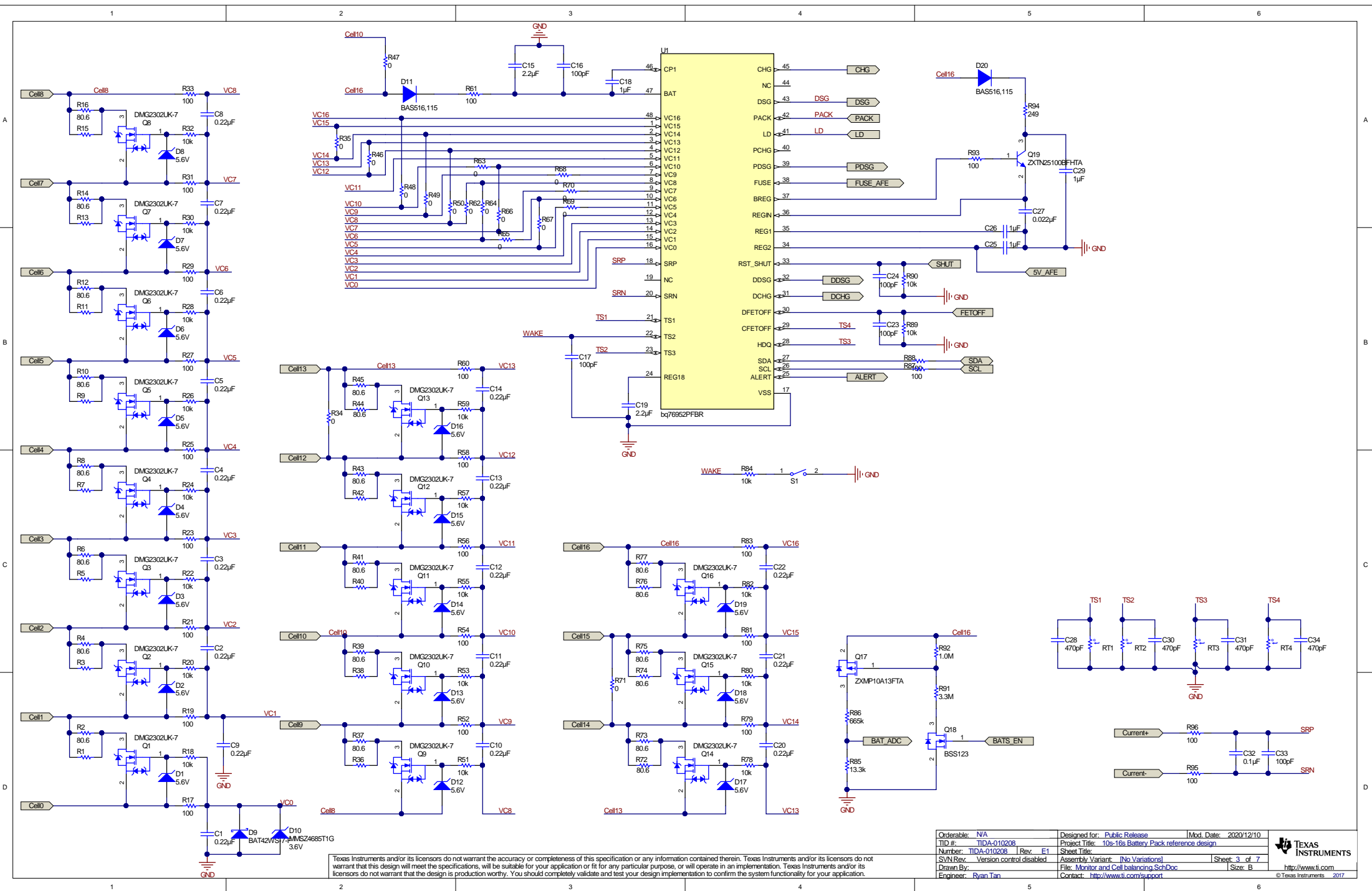
© Texas Instruments 2017



Texas Instruments and/or its licensors do not warrant the accuracy or completeness of this specification or any information contained therein. Texas Instruments and/or its licensors do not warrant that this design will meet the specifications, will be suitable for your application or fit for any particular purpose, or will operate in an implementation. Texas Instruments and/or its licensors do not warrant that the design is production worthy. You should completely validate and test your design implementation to confirm the system functionality for your application.

Orderable: N/A	Designed for: Public Release	Mod. Date: 2020/12/10
TID #: TIDA-010208	Project Title: 10s-16s Battery Pack reference design	
Number: TIDA-010208	Rev. E1	Sheet Title: Sheet 2 of 7
SVN Rev. Version control disabled	Assembly Variant: [No Variations]	File: High level sch.SchDoc
Drawn By: Ryan Tan	Contact: http://www.ti.com/support	Size: B



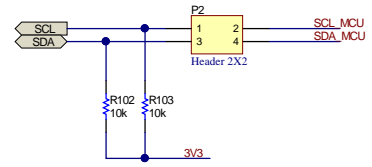
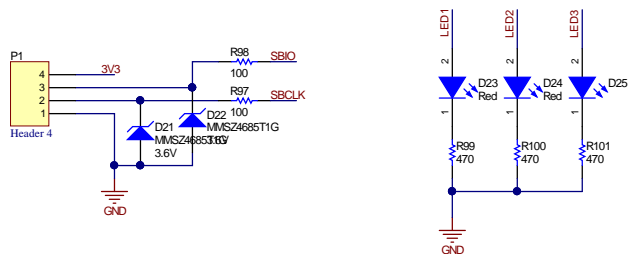
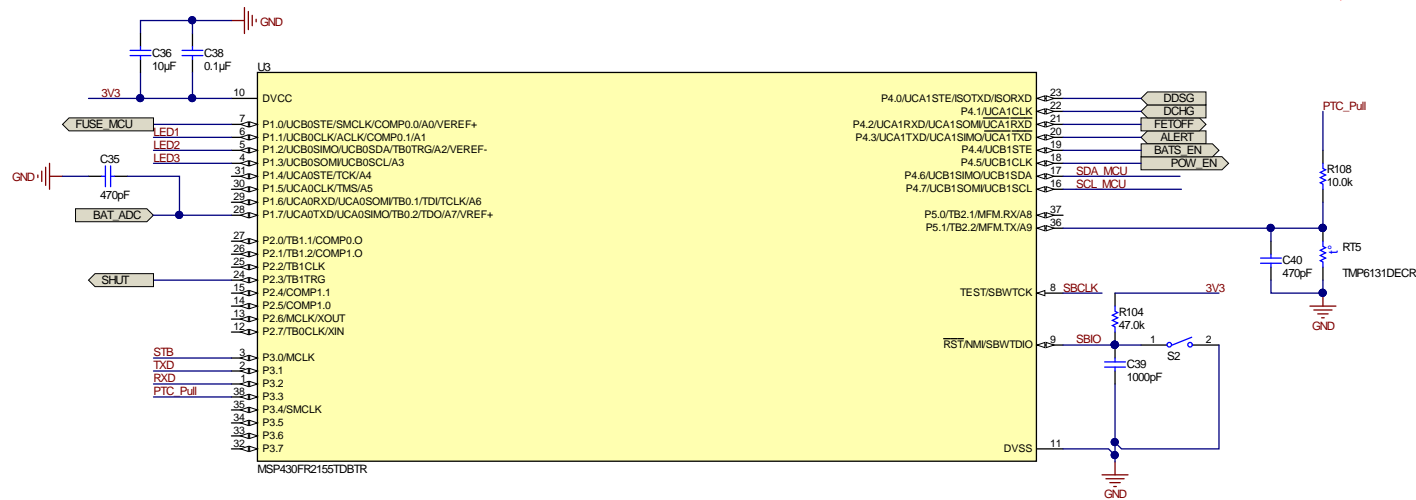
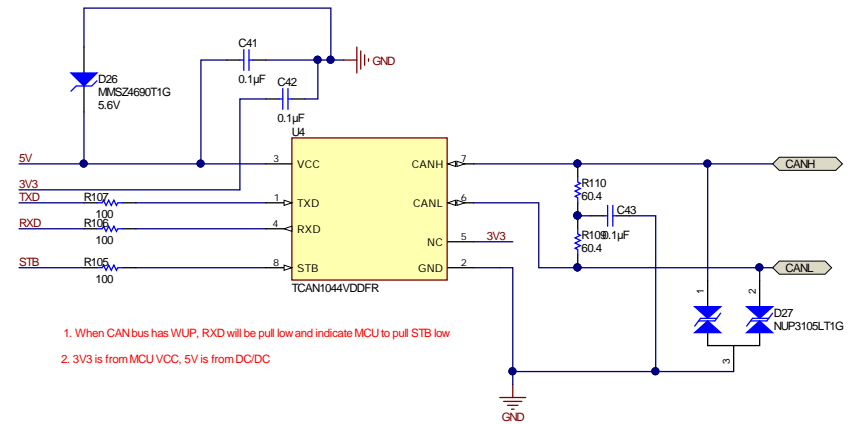
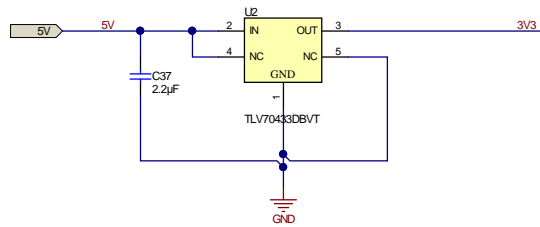


Texas Instruments and/or its licensors do not warrant the accuracy or completeness of this specification or any information contained therein. Texas Instruments and/or its licensors do not warrant that this design will meet the specifications, will be suitable for your application or fit for any particular purpose, or will operate in an implementation. Texas Instruments and/or its licensors do not warrant that the design is production worthy. You should completely validate and test your design implementation to confirm the system functionality for your application.

Orderable: N/A	Designed for: Public Release	Mod. Date: 2020/12/10
TID #: TIDA-010208	Project Title: 10s-16s Battery Pack reference design	
Number: TIDA-010208	Rev. E1	Sheet Title:
SVN Rev: Version control disabled	Assembly Variant: [No Variations]	Sheet 3 of 7
Drawn By:	File: Monitor and Cell balancing SchDoc	Size: B
Engineer: Ryan Tan	Contact: http://www.ti.com/support	



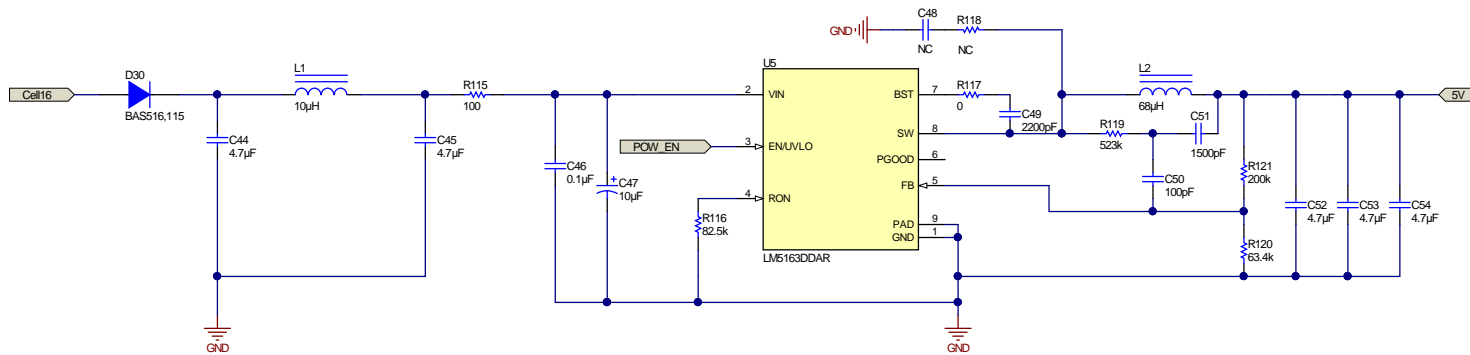
5V is from DC/DC and BQ769x2



Texas Instruments and/or its licensors do not warrant the accuracy or completeness of this specification or any information contained therein. Texas Instruments and/or its licensors do not warrant that this design will meet the specifications, will be suitable for your application or fit for any particular purpose, or will operate in an implementation. Texas Instruments and/or its licensors do not warrant that the design is production worthy. You should completely validate and test your design implementation to confirm the system functionality for your application.

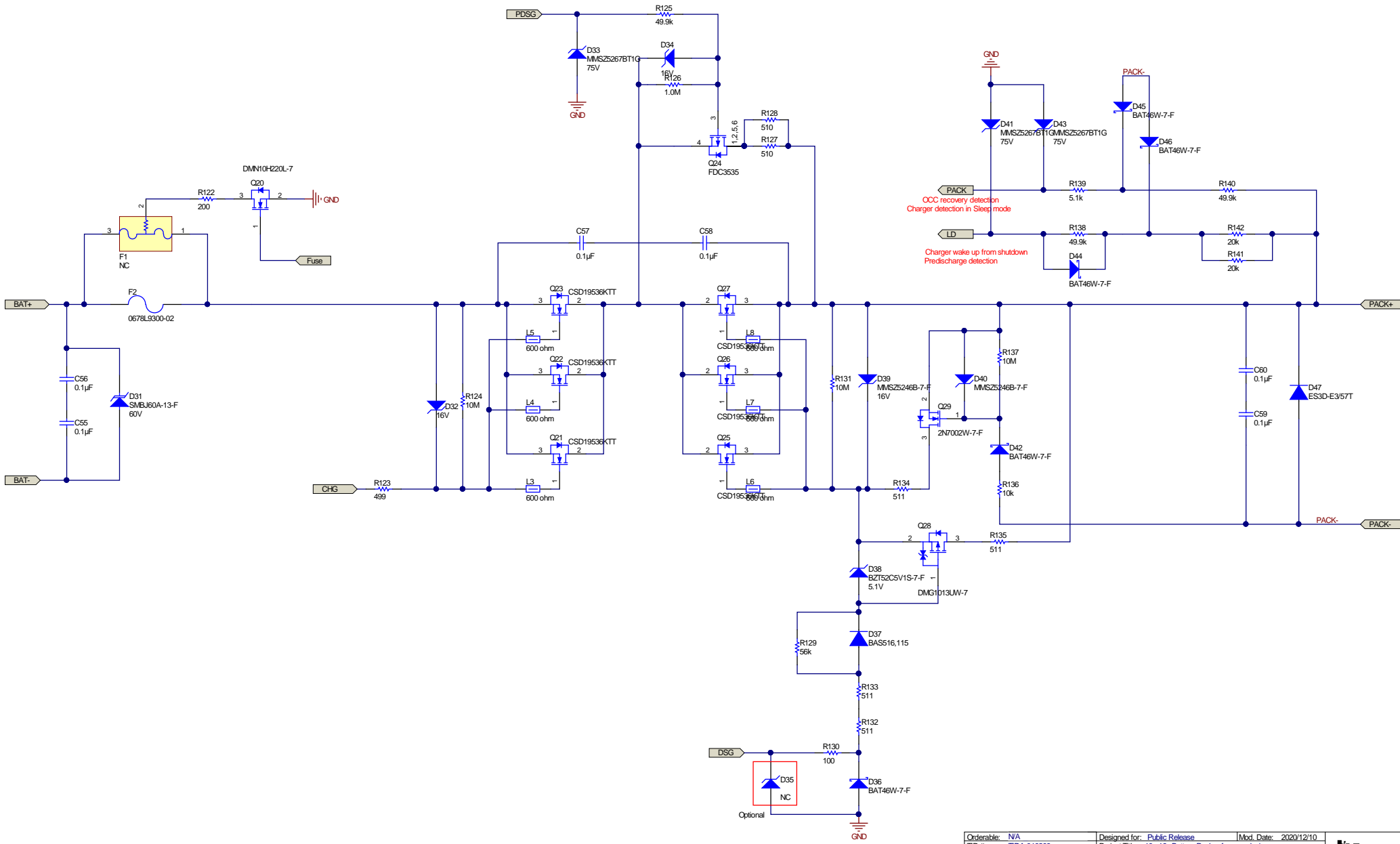
Orderable: N/A	Designed for: Public Release	Mod. Date: 2020/12/10
TID #: TIDA-010208	Project Title: 10s-16s Battery Pack reference design	
Number: TIDA-010208	Rev. E1	Sheet Title:
SVN Rev. Version control disabled	Assembly Variant: [No Variations]	Sheet: 4 of 7
Drawn By:	File: MCU and Communication.SchDoc	Size: B
Engineer: Ryan Tan	Contact: http://www.ti.com/support	





Texas Instruments and/or its licensors do not warrant the accuracy or completeness of this specification or any information contained therein. Texas Instruments and/or its licensors do not warrant that this design will meet the specifications, will be suitable for your application or fit for any particular purpose, or will operate in an implementation. Texas Instruments and/or its licensors do not warrant that the design is production worthy. You should completely validate and test your design implementation to confirm the system functionality for your application.

Orderable: N/A	Designed for: Public Release	Mod. Date: 2020/12/25
TID #: TIDA-010208	Project Title: 10s-16s Battery Pack reference design	
Number: TIDA-010208	Rev: E1	Sheet Title:
SVN Rev: Version control disabled	Assembly Variant: [No Variations]	Sheet: 5 of 7
Drawn By:	File: Aux power_Sch.Doc	Size: B
Engineer: Ryan Tan	Contact: http://www.ti.com/support	



Texas Instruments and/or its licensors do not warrant the accuracy or completeness of this specification or any information contained therein. Texas Instruments and/or its licensors do not warrant that this design will meet the specifications, will be suitable for your application or fit for any particular purpose, or will operate in an implementation. Texas Instruments and/or its licensors do not warrant that the design is production worthy. You should completely validate and test your design implementation to confirm the system functionality for your application.

Orderable: N/A	Designed for: Public Release	Mod. Date: 2020/12/10
TID #: TIDA-010208	Project Title: 10s-16s Battery Pack reference design	
Number: TIDA-010208	Rev. E1	Sheet Title:
SVN Rev: Version control disabled	Assembly Variant: [No Variations]	Sheet: 6 of 7
Drawn By:	File: High-side MOSFETs and driver SchDoc	Size: B
Engineer: Ryan Tan	Contact: http://www.ti.com/support	



PCB Number: TIDA-010208
PCB Rev: E1

Logo1
PCB
LOGO
CAUTION: READ USER GUIDE BEFORE USE

Logo2
PCB
LOGO
FCC disclaimer

Logo3
PCB
LOGO
WEEE logo

Variant/Label Table

Variant	Label Text
001	
002	

Texas Instruments and/or its licensors do not warrant the accuracy or completeness of this specification or any information contained therein. Texas Instruments and/or its licensors do not warrant that this design will meet the specifications, will be suitable for your application or fit for any particular purpose, or will operate in an implementation. Texas Instruments and/or its licensors do not warrant that the design is production worthy. You should completely validate and test your design implementation to confirm the system functionality for your application.

Orderable: N/A	Designed for: Public Release	Mod. Date: 2020/12/10
TID #: TIDA-010208	Project Title: 10s-16s Battery Pack reference design	
Number: TIDA-010208	Rev: E1	Sheet Title:
SVN Rev: Version control disabled	Assembly Variant: [No Variations]	Sheet: 7 of 7
Drawn By:	File: EVM_Hardware_SchDoc	Size: B
Engineer: Ryan Tan	Contact: http://www.ti.com/support	



IMPORTANT NOTICE AND DISCLAIMER

TI PROVIDES TECHNICAL AND RELIABILITY DATA (INCLUDING DATASHEETS), DESIGN RESOURCES (INCLUDING REFERENCE DESIGNS), APPLICATION OR OTHER DESIGN ADVICE, WEB TOOLS, SAFETY INFORMATION, AND OTHER RESOURCES "AS IS" AND WITH ALL FAULTS, AND DISCLAIMS ALL WARRANTIES, EXPRESS AND IMPLIED, INCLUDING WITHOUT LIMITATION ANY IMPLIED WARRANTIES OF MERCHANTABILITY, FITNESS FOR A PARTICULAR PURPOSE OR NON-INFRINGEMENT OF THIRD PARTY INTELLECTUAL PROPERTY RIGHTS.

These resources are intended for skilled developers designing with TI products. You are solely responsible for (1) selecting the appropriate TI products for your application, (2) designing, validating and testing your application, and (3) ensuring your application meets applicable standards, and any other safety, security, or other requirements. These resources are subject to change without notice. TI grants you permission to use these resources only for development of an application that uses the TI products described in the resource. Other reproduction and display of these resources is prohibited. No license is granted to any other TI intellectual property right or to any third party intellectual property right. TI disclaims responsibility for, and you will fully indemnify TI and its representatives against, any claims, damages, costs, losses, and liabilities arising out of your use of these resources.

TI's products are provided subject to TI's Terms of Sale (<https://www.ti.com/legal/termsofsale.html>) or other applicable terms available either on [ti.com](https://www.ti.com) or provided in conjunction with such TI products. TI's provision of these resources does not expand or otherwise alter TI's applicable warranties or warranty disclaimers for TI products.

Mailing Address: Texas Instruments, Post Office Box 655303, Dallas, Texas 75265
Copyright © 2021, Texas Instruments Incorporated