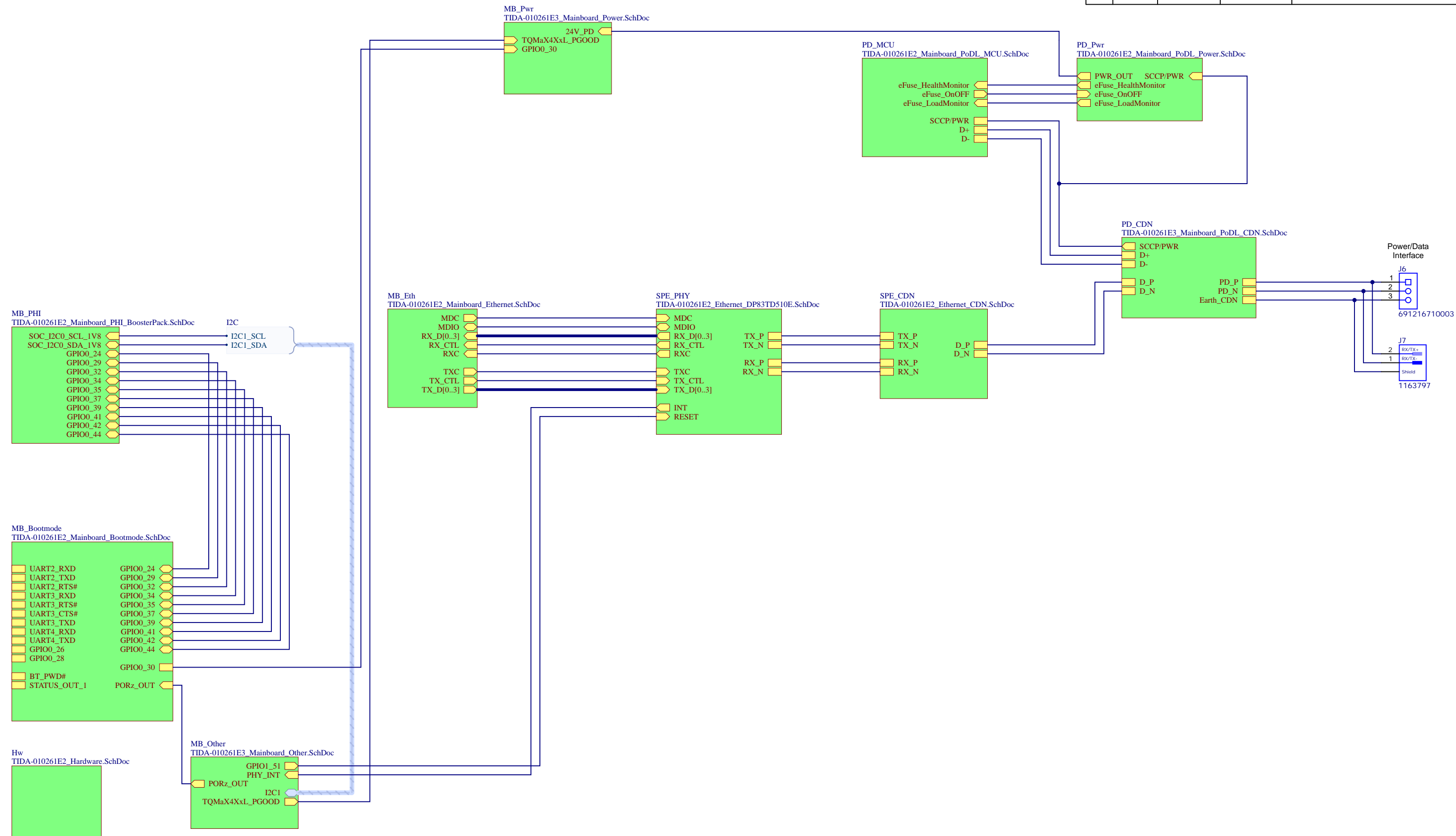


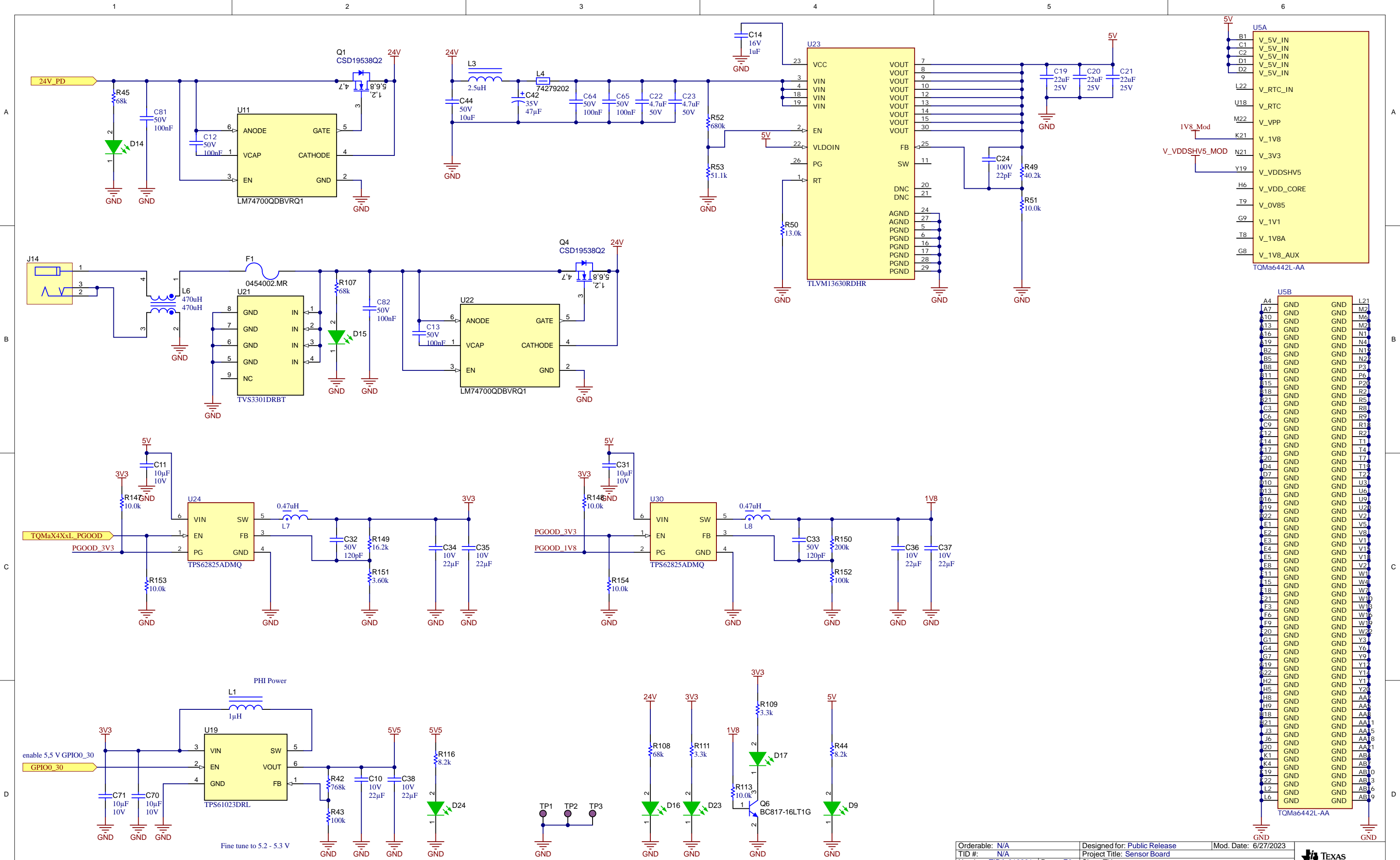
Revision History				
Rev	ECN #	Approved Date	Approved by	Notes
N/A	N/A	N/A	N/A	N/A



Texas Instruments and/or its licensors do not warrant the accuracy or completeness of this specification or any information contained therein. Texas Instruments and/or its licensors do not warrant that this design will meet the specifications, will be suitable for your application or fit for any particular purpose, or will operate in an implementation. Texas Instruments and/or its licensors do not warrant that the design is production worthy. You should completely validate and test your design implementation to confirm the system functionality for your application.

Orderable: N/A	Designed for: Public Release	Mod. Date: 6/20/2023
TID #: N/A	Project Title: Sensor Board	
Number: TIDA-010261	Rev: E3	Sheet Title:
SVN Rev: Unknown revision	Assembly Variant: 001	Sheet: 1 of 12
Drawn By:	File: TIDA-010261E2.SchDoc	Size: B
Engineer: Steffen Graf	Contact: <a href="http://www.ti.com/support">http://www.ti.com/support</a>	

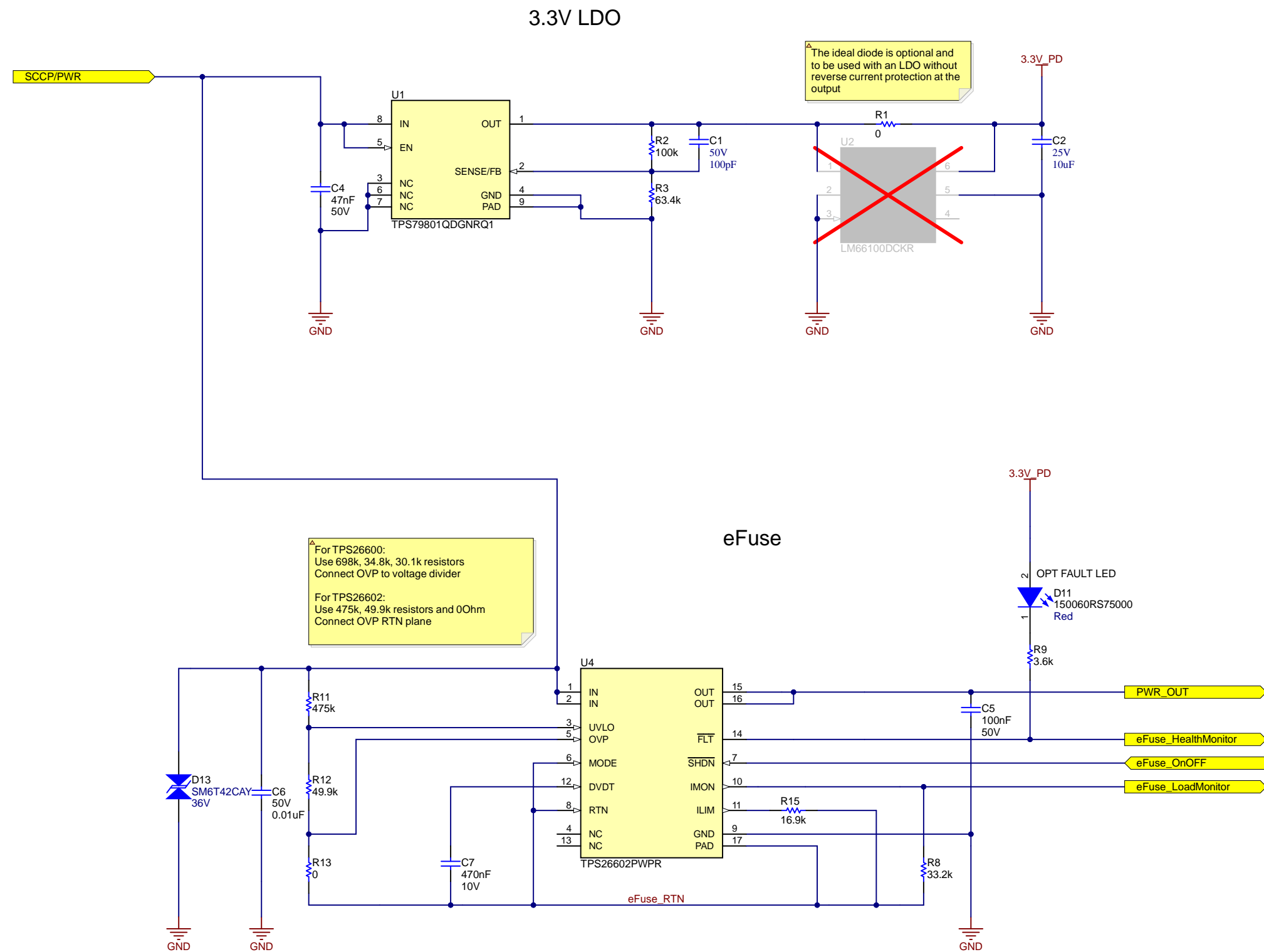




Texas Instruments and/or its licensors do not warrant the accuracy or completeness of this specification or any information contained therein. Texas Instruments and/or its licensors do not warrant that this design will meet the specifications, will be suitable for your application or fit for any particular purpose, or will operate in an implementation. Texas Instruments and/or its licensors do not warrant that the design is production worthy. You should completely validate and test your design implementation to confirm the system functionality for your application.

Orderable: N/A	Designed for: Public Release	Mod. Date: 6/27/2023
TID #: N/A	Project Title: Sensor Board	
Number: TIDA-010261	Rev: E3	Sheet Title:
SVN Rev: Unknown revision	Assembly Variant: 001	Sheet: 2 of 12
Drawn By:	File: TIDA-010261E3_Mainboard_Power.SchDoc	Size: B
Engineer: Steffen Graf	Contact: <a href="http://www.ti.com/support">http://www.ti.com/support</a>	





The ideal diode is optional and to be used with an LDO without reverse current protection at the output

For TPS26600:  
Use 698k, 34.8k, 30.1k resistors  
Connect OVP to voltage divider

For TPS26602:  
Use 475k, 49.9k resistors and 0Ohm  
Connect OVP RTN plane

Diagnostics to MCU

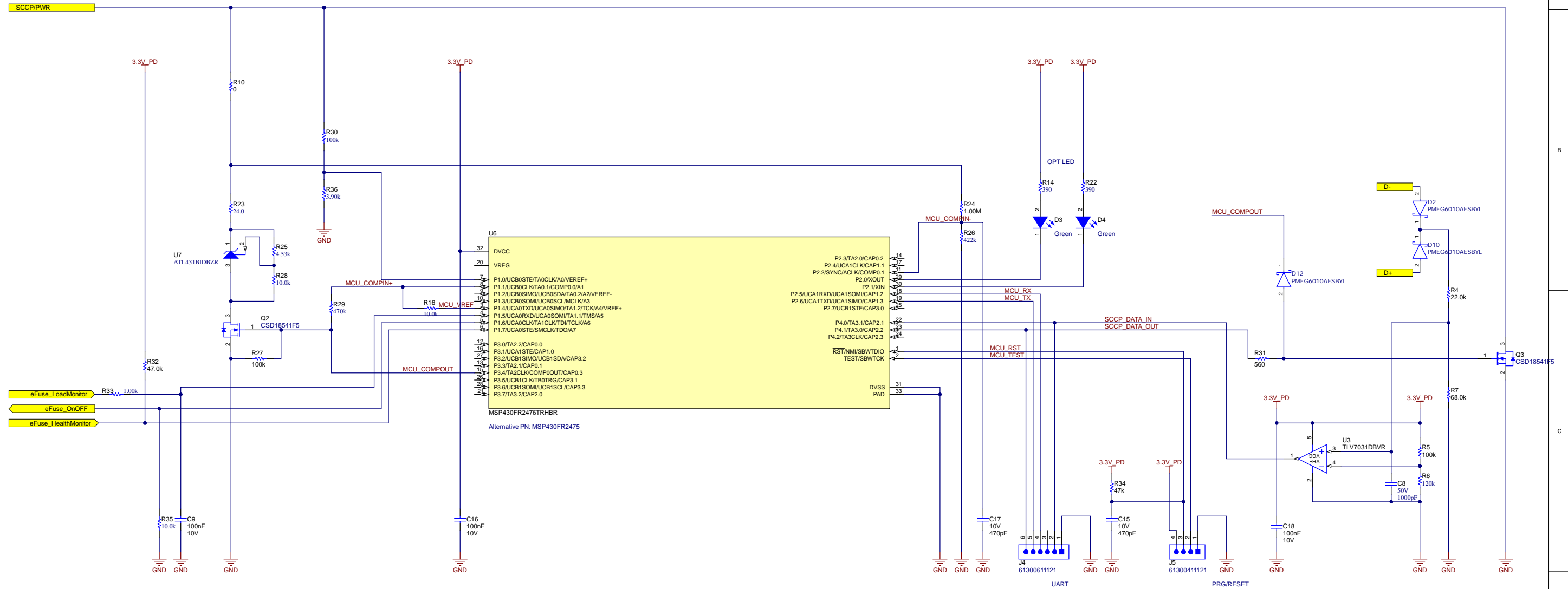
Texas Instruments and/or its licensors do not warrant the accuracy or completeness of this specification or any information contained therein. Texas Instruments and/or its licensors do not warrant that this design will meet the specifications, will be suitable for your application or fit for any particular purpose, or will operate in an implementation. Texas Instruments and/or its licensors do not warrant that the design is production worthy. You should completely validate and test your design implementation to confirm the system functionality for your application.

Orderable: N/A	Designed for: Public Release	Mod. Date: 8/29/2022
TID #: N/A	Project Title: Sensor Board	
Number: TIDA-010261	Rev: E3	Sheet Title:
SVN Rev:	Assembly Variant: 001	Sheet: 3 of 12
Drawn By:	File: TIDA-010261E2_Mainboard_PoDL_PowerSch.Dwg	Size: B
Engineer: Steffen Graf	Contact: <a href="http://www.ti.com/support">http://www.ti.com/support</a>	

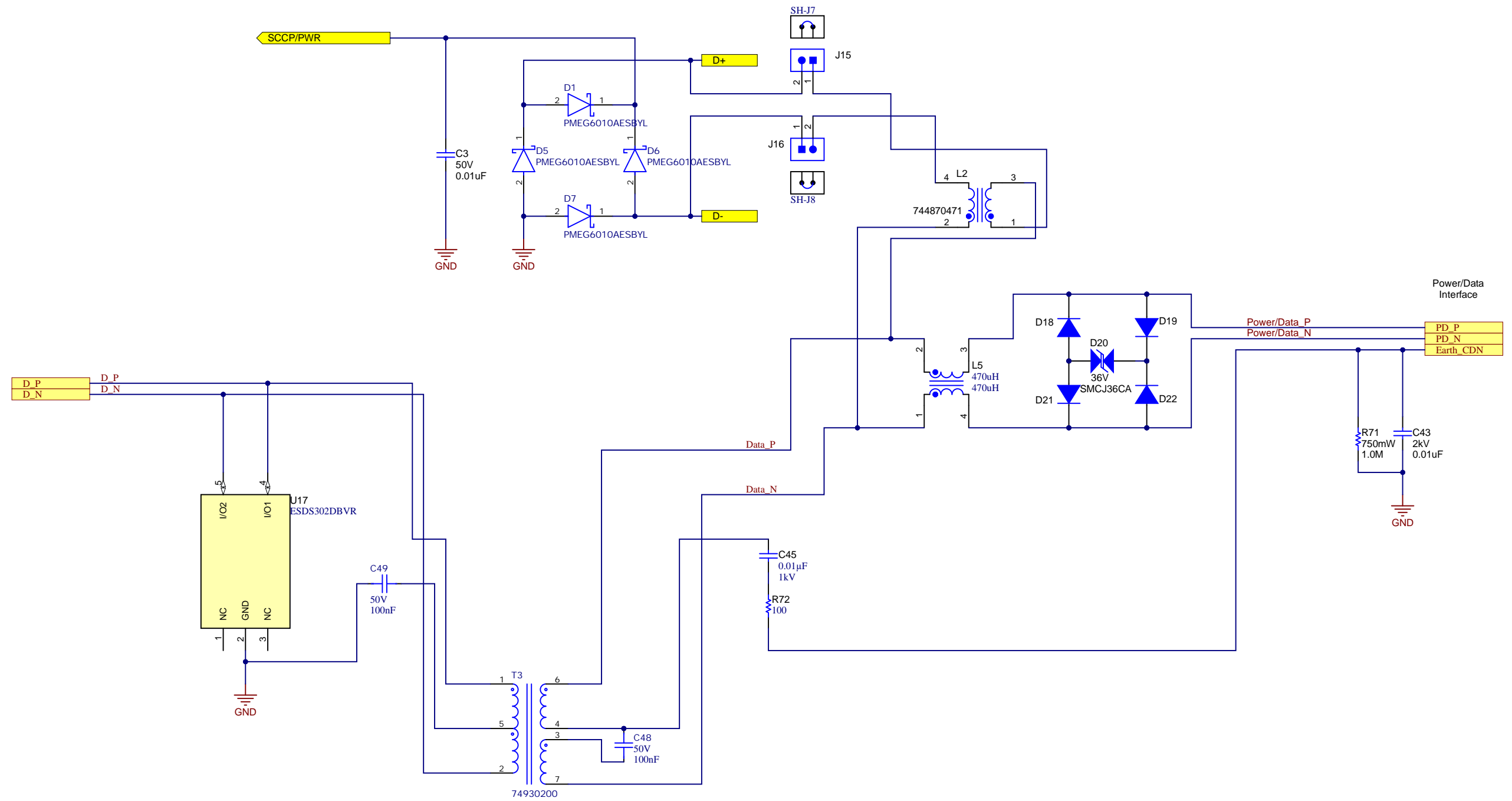


© Texas Instruments 2023

# MSP430 MCU SCCP/VID



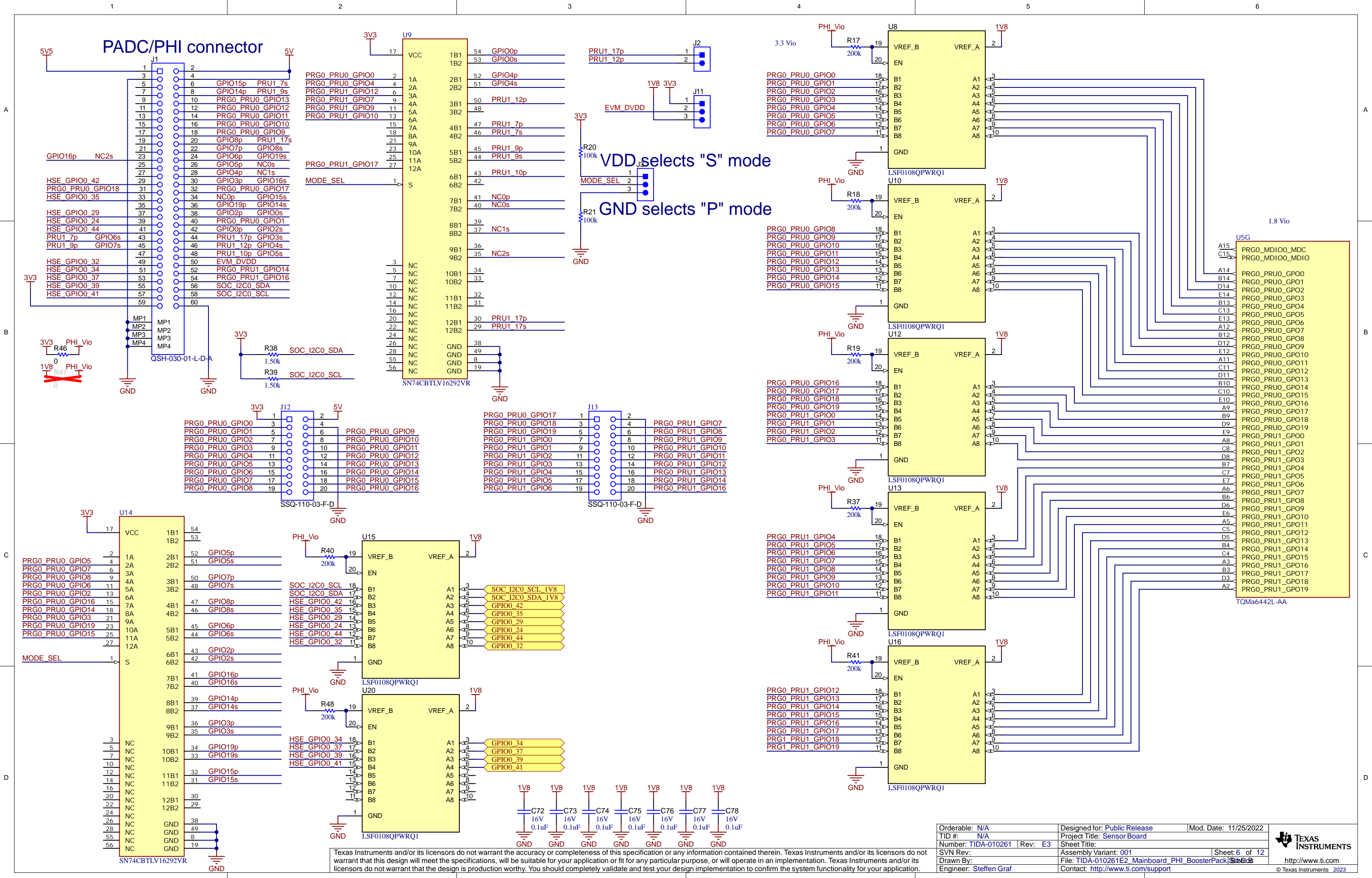
changes on EVM:  
R14 and R128 on EVM changed to 39 Ohm  
C118 and C128 shorted



Coupling / Decoupling

Texas Instruments and/or its licensors do not warrant the accuracy or completeness of this specification or any information contained therein. Texas Instruments and/or its licensors do not warrant that this design will meet the specifications, will be suitable for your application or fit for any particular purpose, or will operate in an implementation. Texas Instruments and/or its licensors do not warrant that the design is production worthy. You should completely validate and test your design implementation to confirm the system functionality for your application.

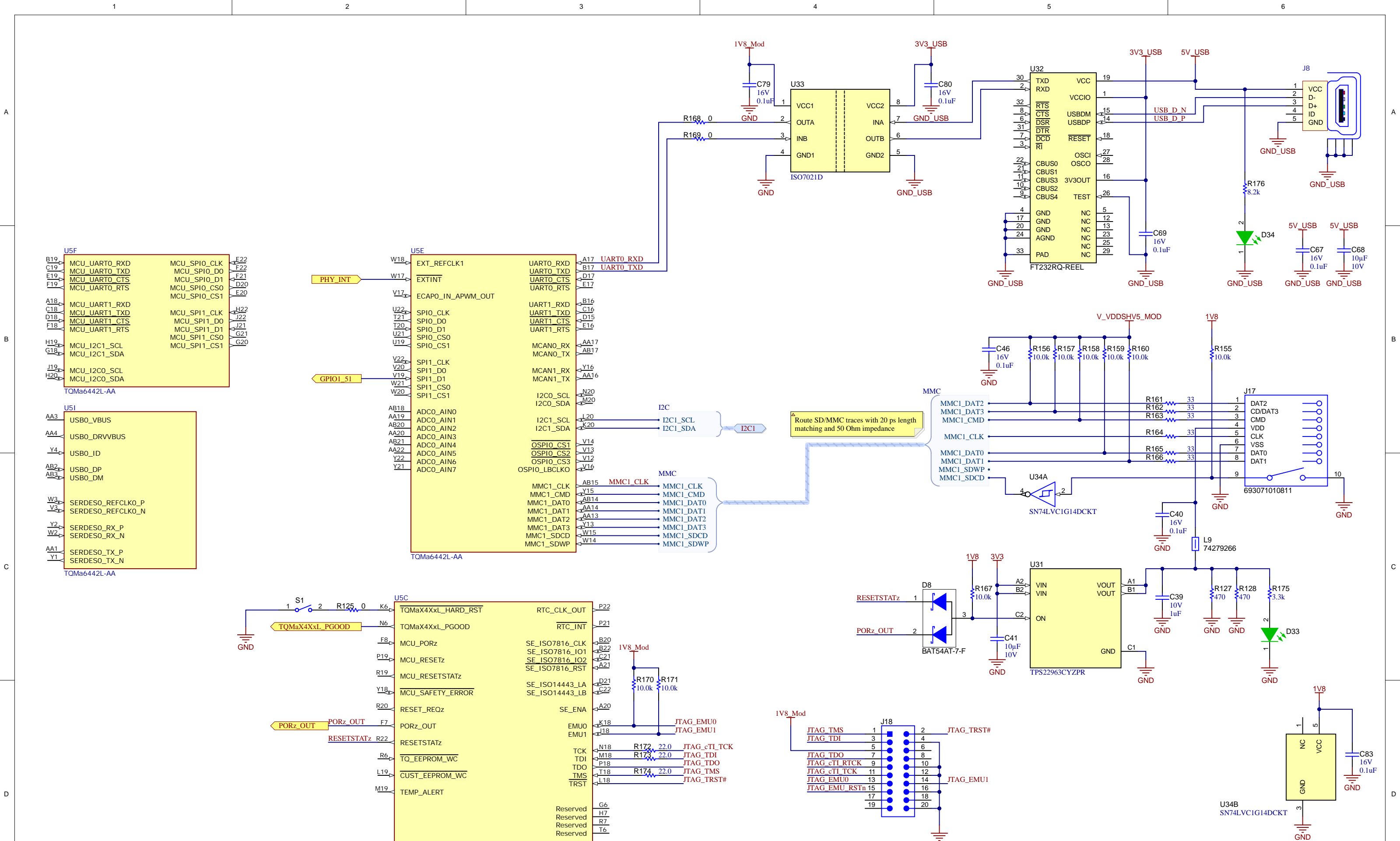
Orderable: N/A	Designed for: Public Release	Mod. Date: 6/29/2023
TID #: N/A	Project Title: Sensor Board	
Number: TIDA-010261	Rev: E3	Sheet Title:
SVN Rev: Unknown revision	Assembly Variant: 001	Sheet 5 of 12
Drawn By:	File: TIDA-010261E3_Mainboard_PoDL_CDN.SchDoc	Size: B
Engineer: Steffen Graf	Contact: <a href="http://www.ti.com/support">http://www.ti.com/support</a>	



Texas Instruments and/or its licensors do not warrant the accuracy or completeness of this specification or any information contained therein. Texas Instruments and/or its licensors do not warrant that this design will meet the specifications, will be suitable for your application or fit for any particular purpose, or will operate in an implementation. Texas Instruments and/or its licensors do not warrant that the design is production worthy. You should completely validate and test your design implementation to confirm the system functionality for your application.

Orderable: N/A	Designed for: Public Release	Mod. Date: 11/25/2022
TID #: N/A	Project Title: Sensor Board	
Number: TIDA-010261	Rev: E3	Sheet Title:
SVN Rev:	Assembly Variant: 001	Sheet: 6 of 12
Drawn By:	File: TIDA-010261E2_Mainboard_PHI_BoosterPack_SideB	http://www.ti.com
Engineer: Steffen Graf	Contact: http://www.ti.com/support	© Texas Instruments 2023

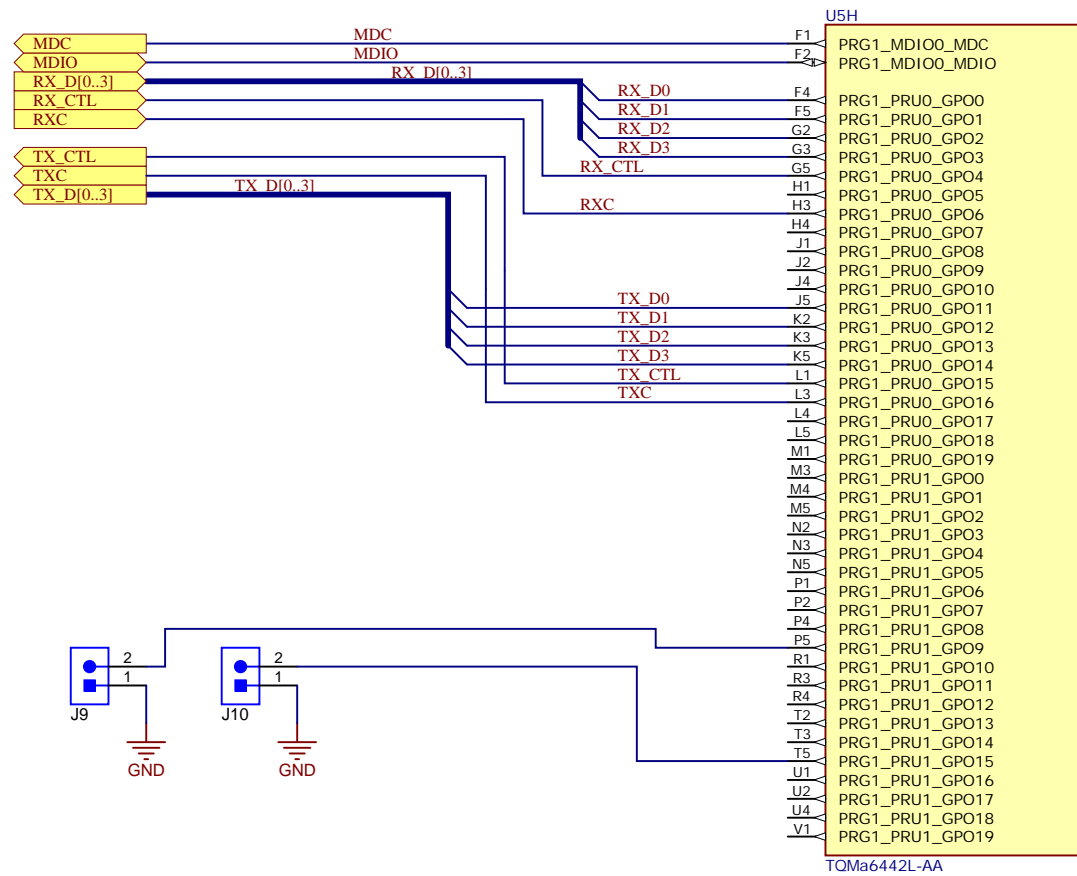




Texas Instruments and/or its licensors do not warrant the accuracy or completeness of this specification or any information contained therein. Texas Instruments and/or its licensors do not warrant that this design will meet the specifications, will be suitable for your application or fit for any particular purpose, or will operate in an implementation. Texas Instruments and/or its licensors do not warrant that the design is production worthy. You should completely validate and test your design implementation to confirm the system functionality for your application.

Orderable: N/A	Designed for: Public Release	Mod. Date: 6/27/2023
TID #: N/A	Project Title: Sensor Board	
Number: TIDA-010261	Rev: E3	Sheet Title:
SVN Rev: Unknown revision		Assembly Variant: 001
Drawn By:		File: TIDA-010261E3_Mainboard_Other.SchDoc
Engineer: Steffen Graf		Sheet: 7 of 12
		Size: B
		Contact: <a href="http://www.ti.com/support">http://www.ti.com/support</a>



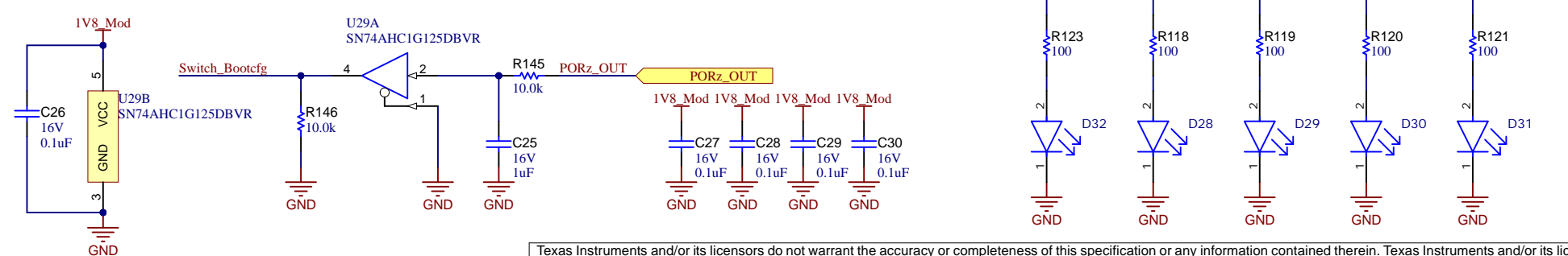
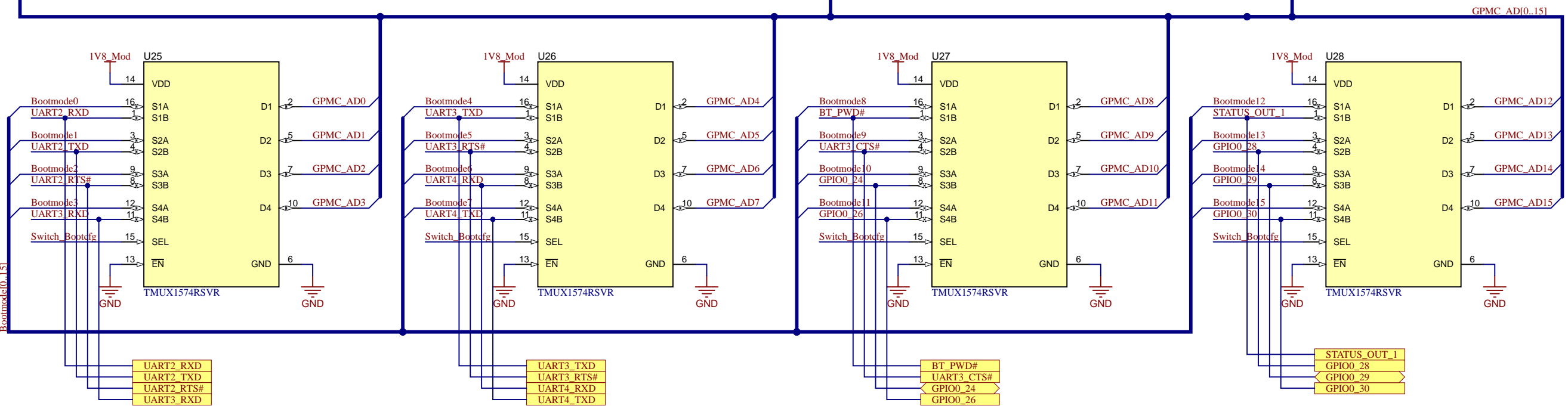
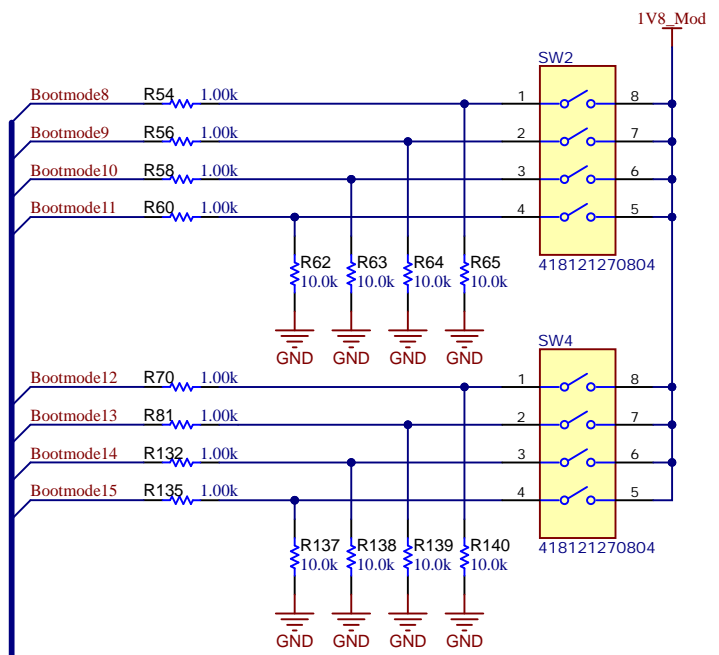
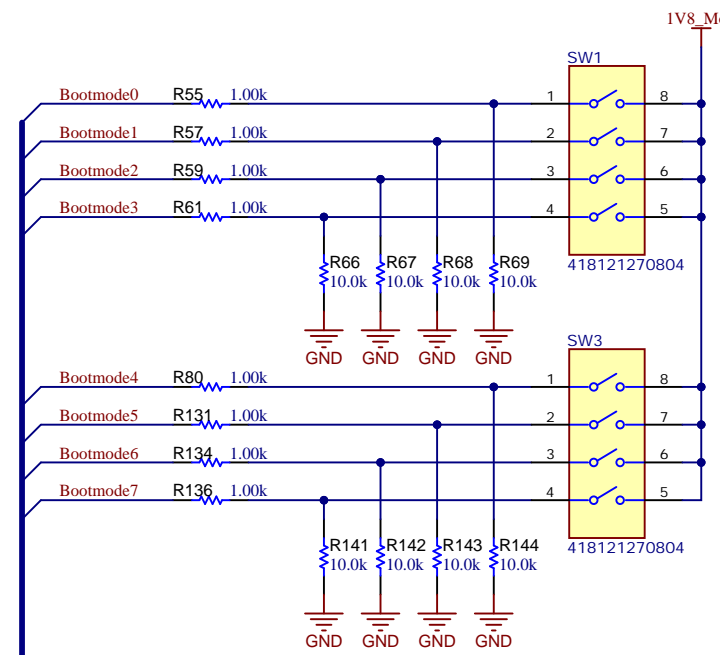
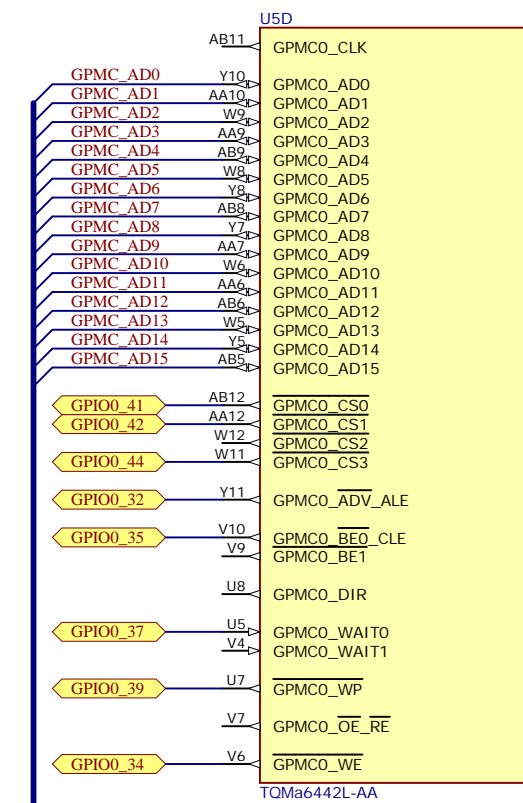


Texas Instruments and/or its licensors do not warrant the accuracy or completeness of this specification or any information contained therein. Texas Instruments and/or its licensors do not warrant that this design will meet the specifications, will be suitable for your application or fit for any particular purpose, or will operate in an implementation. Texas Instruments and/or its licensors do not warrant that the design is production worthy. You should completely validate and test your design implementation to confirm the system functionality for your application.

Orderable: N/A	Designed for: Public Release	Mod. Date: 9/2/2022
TID #: N/A	Project Title: Sensor Board	
Number: TIDA-010261	Rev: E3	Sheet: 8 of 12
SVN Rev: Unknown revision	Assembly Variant: 001	File: TIDA-010261E2_Mainboard_Ethernet.SchDoc
Drawn By:	Size: B	Contact: <a href="http://www.ti.com/support">http://www.ti.com/support</a>
Engineer: Steffen Graf		







Texas Instruments and/or its licensors do not warrant the accuracy or completeness of this specification or any information contained therein. Texas Instruments and/or its licensors do not warrant that this design will meet the specifications, will be suitable for your application or fit for any particular purpose, or will operate in an implementation. Texas Instruments and/or its licensors do not warrant that the design is production worthy. You should completely validate and test your design implementation to confirm the system functionality for your application.

Orderable: N/A	Designed for: Public Release	Mod. Date: 11/29/2022
TID #: N/A	Project Title: Sensor Board	
Number: TIDA-010261	Rev: E3	Sheet Title:
SVN Rev:	Assembly Variant: 001	Sheet: 9 of 12
Drawn By:	File: TIDA-010261E2_Mainboard_Bootmode.SchDoc	Size: B
Engineer: Steffen Graf	Contact: <a href="http://www.ti.com/support">http://www.ti.com/support</a>	



H1 NY PMS 440 0025 PH  
 H2 NY PMS 440 0025 PH  
 H3 NY PMS 440 0025 PH  
 H4 NY PMS 440 0025 PH  
 H9 NY PMS 440 0025 PH  
 H10 NY PMS 440 0025 PH

H5 1902C  
 H6 1902C  
 H7 1902C  
 H8 1902C

FID1  
 FID2  
 FID3  
 FID4  
 FID5  
 FID6

PCB Number: TIDA-010261  
 PCB Rev: E3

PCB LOGO  
 Texas Instruments



PCB LOGO  
 FCC disclaimer

PCB LOGO  
 WEEE logo

Variant/Label Table

Variant	Label Text
001	Default

LBL1  
**PCB Label**  
 THT-14-423-10  
 Size: 0.65" x 0.20 "

ZZ1  
**Label Assembly Note**  
 This Assembly Note is for PCB labels only

ZZ2  
**Assembly Note**  
 These assemblies are ESD sensitive, ESD precautions shall be observed.

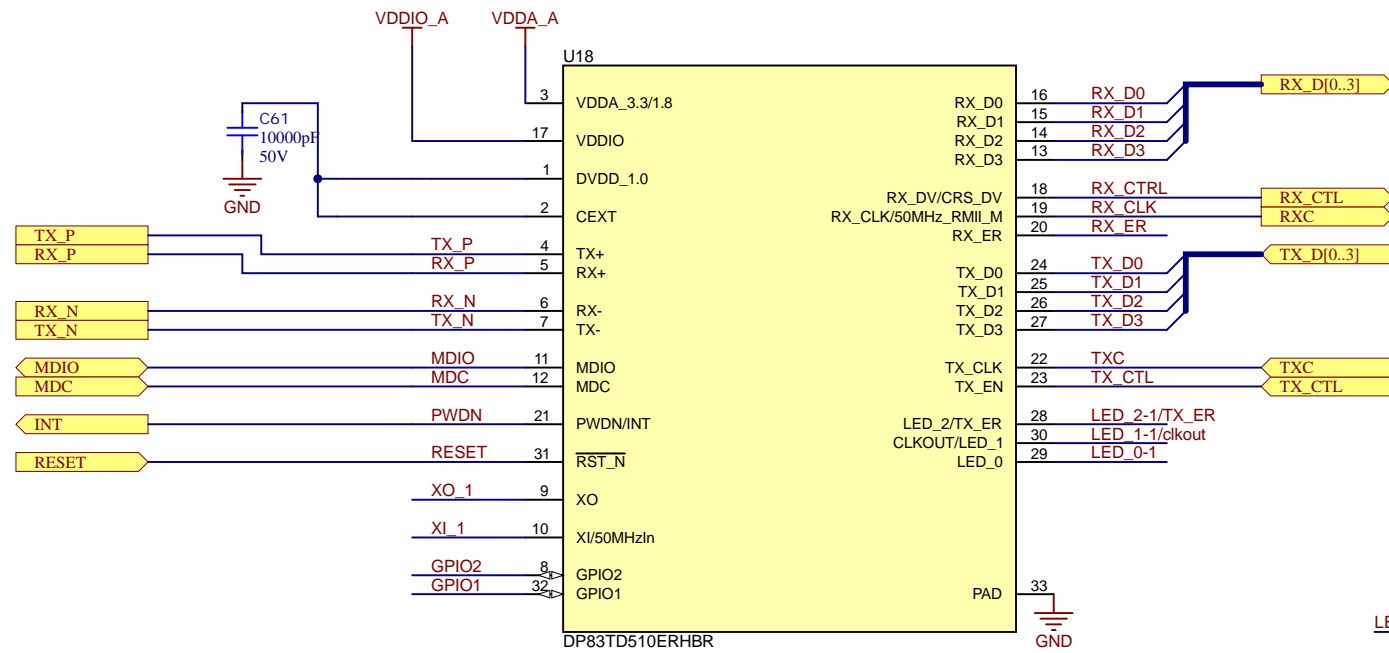
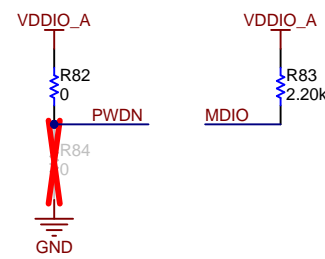
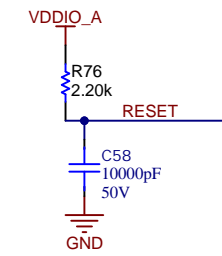
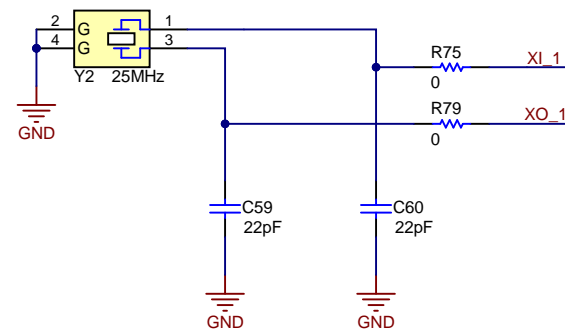
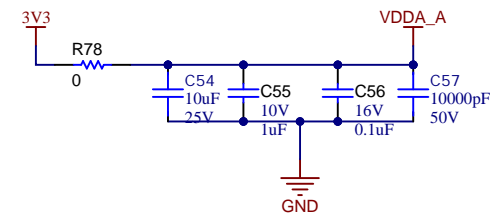
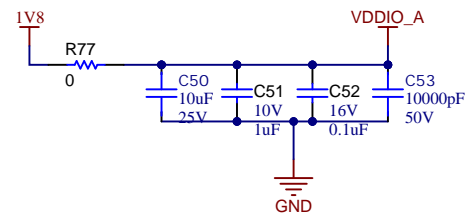
ZZ3  
**Assembly Note**  
 These assemblies must be clean and free from flux and all contaminants. Use of no clean flux is not acceptable.

ZZ4  
**Assembly Note**  
 These assemblies must comply with workmanship standards IPC-A-610 Class 2, unless otherwise specified.

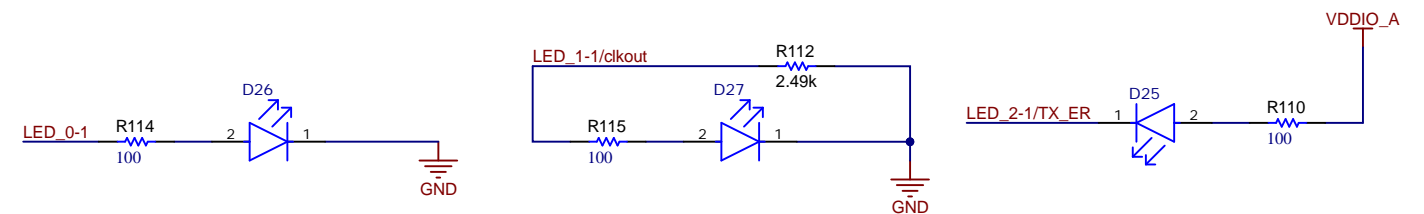
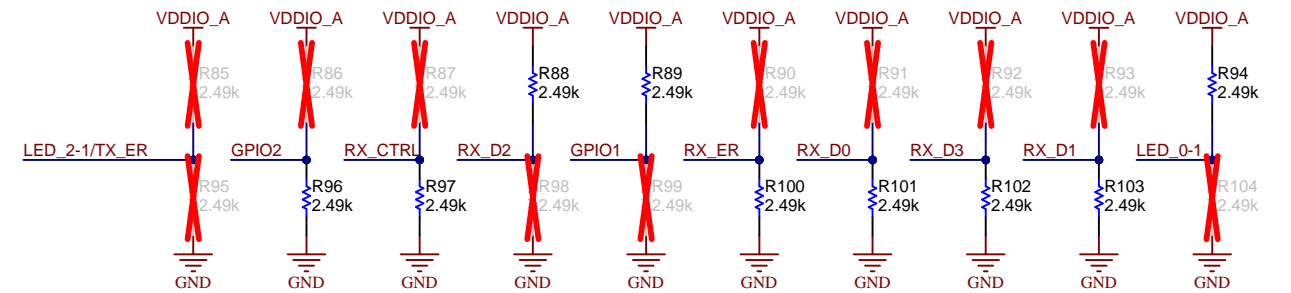
Texas Instruments and/or its licensors do not warrant the accuracy or completeness of this specification or any information contained therein. Texas Instruments and/or its licensors do not warrant that this design will meet the specifications, will be suitable for your application or fit for any particular purpose, or will operate in an implementation. Texas Instruments and/or its licensors do not warrant that the design is production worthy. You should completely validate and test your design implementation to confirm the system functionality for your application.

Orderable: N/A	Designed for: Public Release	Mod. Date: 9/2/2022
TID #: N/A	Project Title: Sensor Board	
Number: TIDA-010261	Rev: E3	Sheet Title:
SVN Rev:	Assembly Variant: 001	Sheet: 10 of 12
Drawn By:	File: TIDA-010261E2_Hardware.SchDoc	Size: B
Engineer: Steffen Graf	Contact: <a href="http://www.ti.com/support">http://www.ti.com/support</a>	



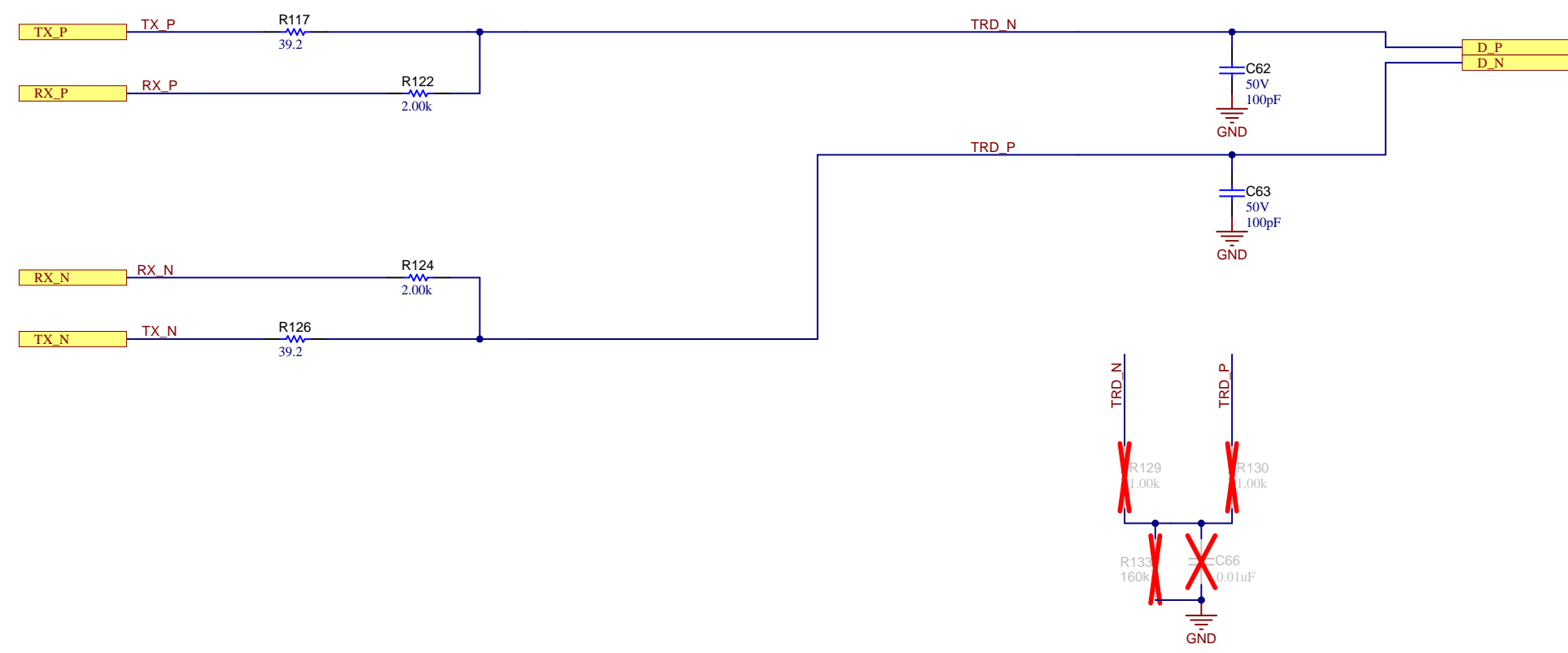


MDIO Address = 0x01



Texas Instruments and/or its licensors do not warrant the accuracy or completeness of this specification or any information contained therein. Texas Instruments and/or its licensors do not warrant that this design will meet the specifications, will be suitable for your application or fit for any particular purpose, or will operate in an implementation. Texas Instruments and/or its licensors do not warrant that the design is production worthy. You should completely validate and test your design implementation to confirm the system functionality for your application.

Orderable: N/A	Designed for: Public Release	Mod. Date: 6/29/2023
TID #: N/A	Project Title: Sensor Board	
Number: TIDA-010261	Rev: E3	Sheet Title:
SVN Rev: Unknown revision	Assembly Variant: 001	Sheet: 11 of 12
Drawn By:	File: TIDA-010261E2_Ethernet_DP83TD510E.SchDoc	Size: B
Engineer: Steffen Graf	Contact: <a href="http://www.ti.com/support">http://www.ti.com/support</a>	



Texas Instruments and/or its licensors do not warrant the accuracy or completeness of this specification or any information contained therein. Texas Instruments and/or its licensors do not warrant that this design will meet the specifications, will be suitable for your application or fit for any particular purpose, or will operate in an implementation. Texas Instruments and/or its licensors do not warrant that the design is production worthy. You should completely validate and test your design implementation to confirm the system functionality for your application.

Orderable: N/A	Designed for: Public Release	Mod. Date: 8/29/2022
TID #: N/A	Project Title: Sensor Board	
Number: TIDA-010261	Rev: E3	Sheet: 12 of 12
SVN Rev:	Assembly Variant: 001	Size: B
Drawn By:	File: TIDA-010261E2_Ethernet_CDN.SchDoc	Contact: <a href="http://www.ti.com/support">http://www.ti.com/support</a>
Engineer: Steffen Graf		© Texas Instruments 2023



## IMPORTANT NOTICE AND DISCLAIMER

TI PROVIDES TECHNICAL AND RELIABILITY DATA (INCLUDING DATA SHEETS), DESIGN RESOURCES (INCLUDING REFERENCE DESIGNS), APPLICATION OR OTHER DESIGN ADVICE, WEB TOOLS, SAFETY INFORMATION, AND OTHER RESOURCES "AS IS" AND WITH ALL FAULTS, AND DISCLAIMS ALL WARRANTIES, EXPRESS AND IMPLIED, INCLUDING WITHOUT LIMITATION ANY IMPLIED WARRANTIES OF MERCHANTABILITY, FITNESS FOR A PARTICULAR PURPOSE OR NON-INFRINGEMENT OF THIRD PARTY INTELLECTUAL PROPERTY RIGHTS.

These resources are intended for skilled developers designing with TI products. You are solely responsible for (1) selecting the appropriate TI products for your application, (2) designing, validating and testing your application, and (3) ensuring your application meets applicable standards, and any other safety, security, regulatory or other requirements.

These resources are subject to change without notice. TI grants you permission to use these resources only for development of an application that uses the TI products described in the resource. Other reproduction and display of these resources is prohibited. No license is granted to any other TI intellectual property right or to any third party intellectual property right. TI disclaims responsibility for, and you will fully indemnify TI and its representatives against, any claims, damages, costs, losses, and liabilities arising out of your use of these resources.

TI's products are provided subject to [TI's Terms of Sale](#) or other applicable terms available either on [ti.com](https://www.ti.com) or provided in conjunction with such TI products. TI's provision of these resources does not expand or otherwise alter TI's applicable warranties or warranty disclaimers for TI products.

TI objects to and rejects any additional or different terms you may have proposed.

Mailing Address: Texas Instruments, Post Office Box 655303, Dallas, Texas 75265  
Copyright © 2023, Texas Instruments Incorporated