

Revision History				
Rev	ECN #	Approved Date	Approved by	Notes
N/A	N/A	N/A	N/A	N/A

Page 2      BLOCK DIAGRAM

Page 3      POWER SUPPLY ( LDOs and INVERTER FOR NEGATIVE SUPPLY )

Page 4      AMC1200 ISOLATION AMPLIFIER and POTENTIAL DIVIDER

Page 5      CURRENT INPUTS, VOLATGE INPUTs and GAIN AMPLIFIER

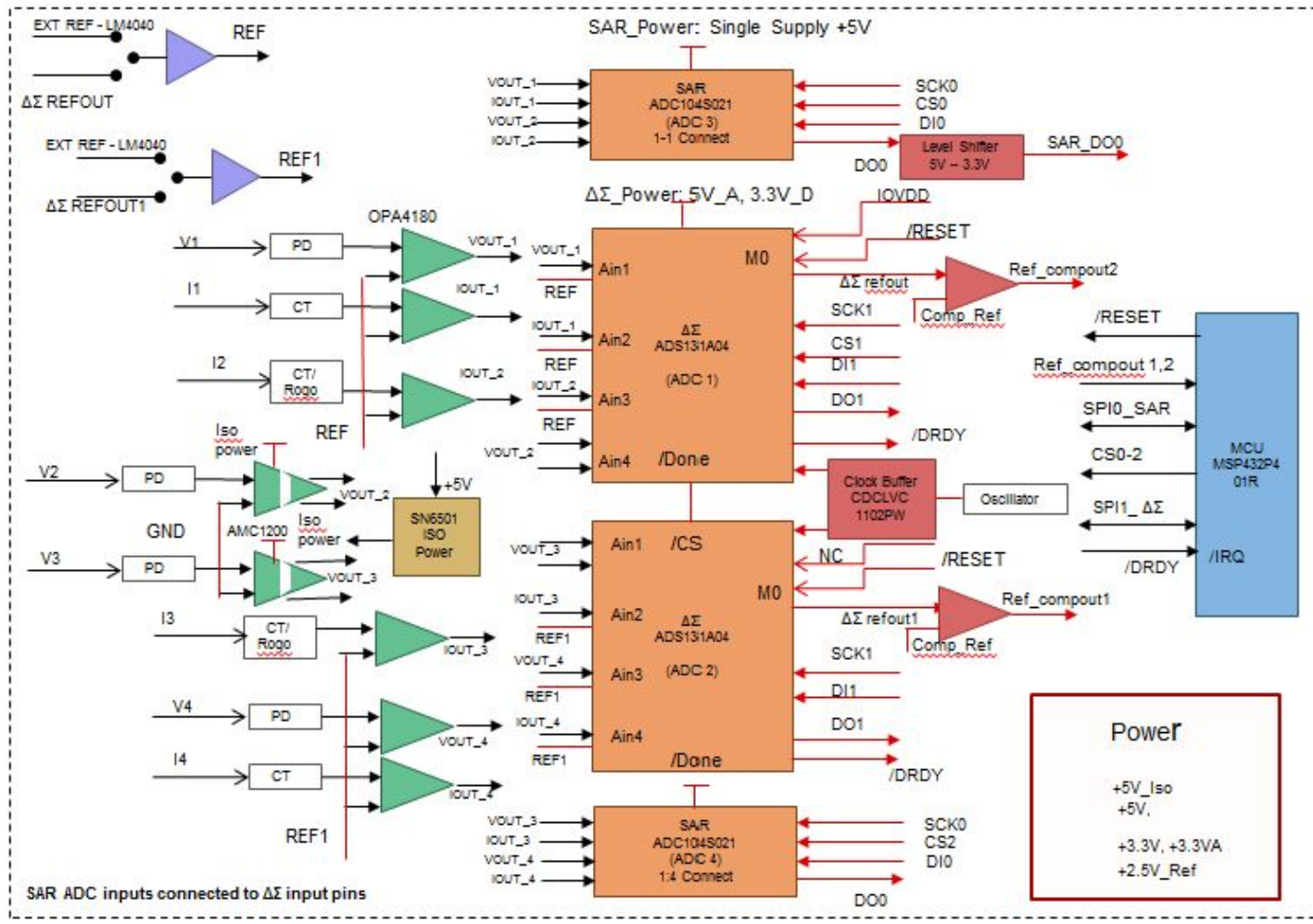
Page 6      REFERENCE, REFERENCE BUFFER and COMPARTOR

Page 7      ADC1-ADS131A04 + ADC104S021

Page 8      ADC2-ADS131A04 + ADC104S021

Page 9      OSCILLATOR , DUAL OUTPUT CLOCK BUFFER

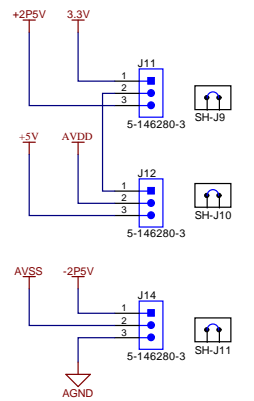
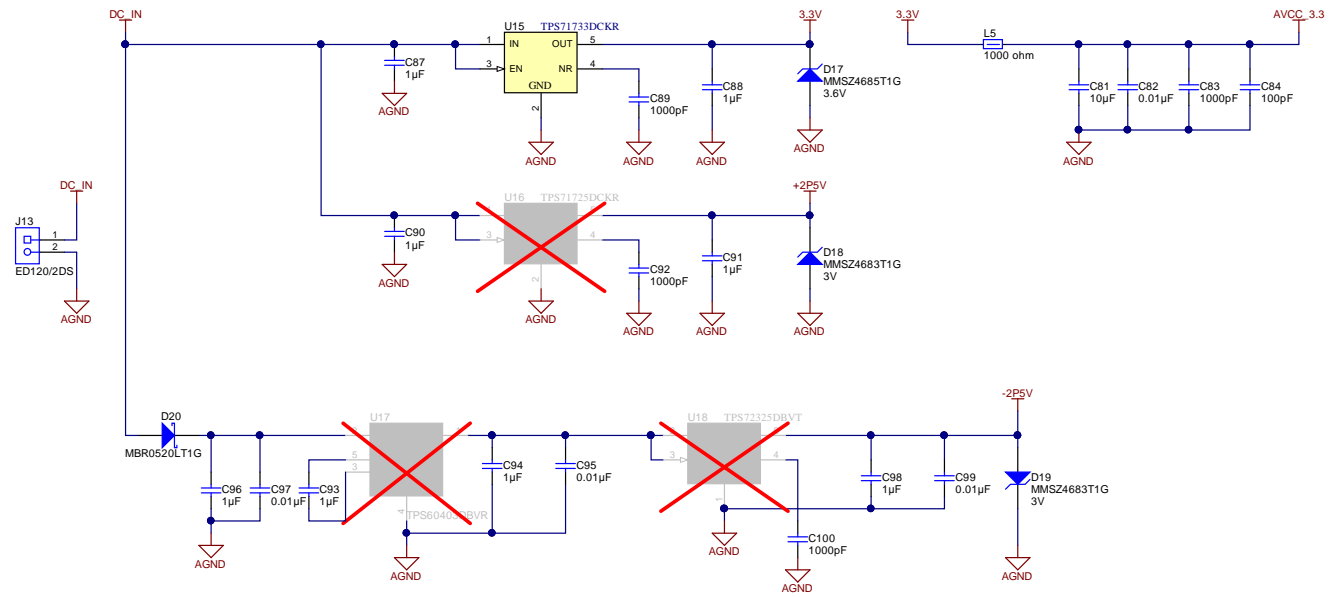
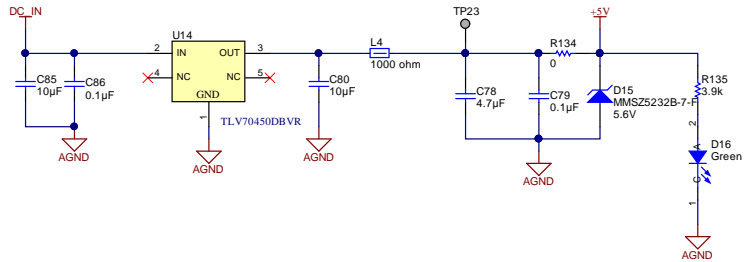
Revision History				
Rev	ECN #	Approved Date	Approved by	Notes
N/A	N/A	N/A	N/A	N/A



SAR ADC inputs connected to ΔΣ input pins

**Power**

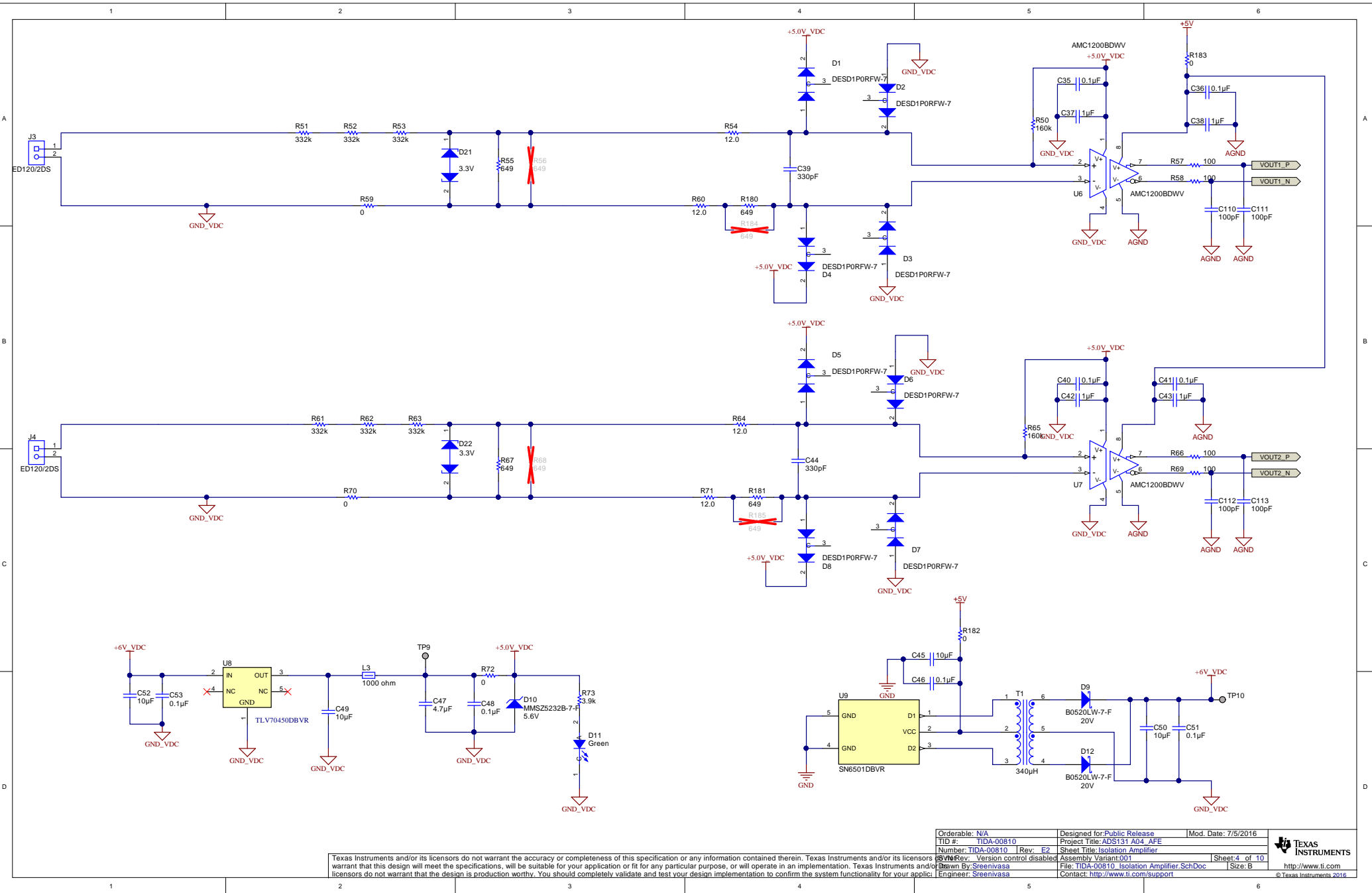
- +5V\_Iso
- +5V,
- +3.3V, +3.3VA
- +2.5V\_Ref



Orderable: N/A	Designed for: Public Release	Mod. Date: 7/5/2016
TID #: TIDA-00810	Project Title: ADS131A04_AFE	
Number: TIDA-00810   Rev: E2	Sheet Title: Power Supply	
BY: Rev. Version control disabled	Assembly Variant: 001	Sheet: 3 of 10
Drawn By: Sreenivasa	File: TIDA-00810_POWER SUPPLY_SchDoc	Size: B
Engineer: Sreenivasa	Contact: <a href="http://www.ti.com/support">http://www.ti.com/support</a>	<a href="http://www.ti.com">http://www.ti.com</a>

Texas Instruments and/or its licensors do not warrant the accuracy or completeness of this specification or any information contained therein. Texas Instruments and/or its licensors warrant that this design will meet the specifications, will be suitable for your application or fit for any particular purpose, or will operate in an implementation. Texas Instruments and/or its licensors do not warrant that the design is production worthy. You should completely validate and test your design implementation to confirm the system functionality for your application.

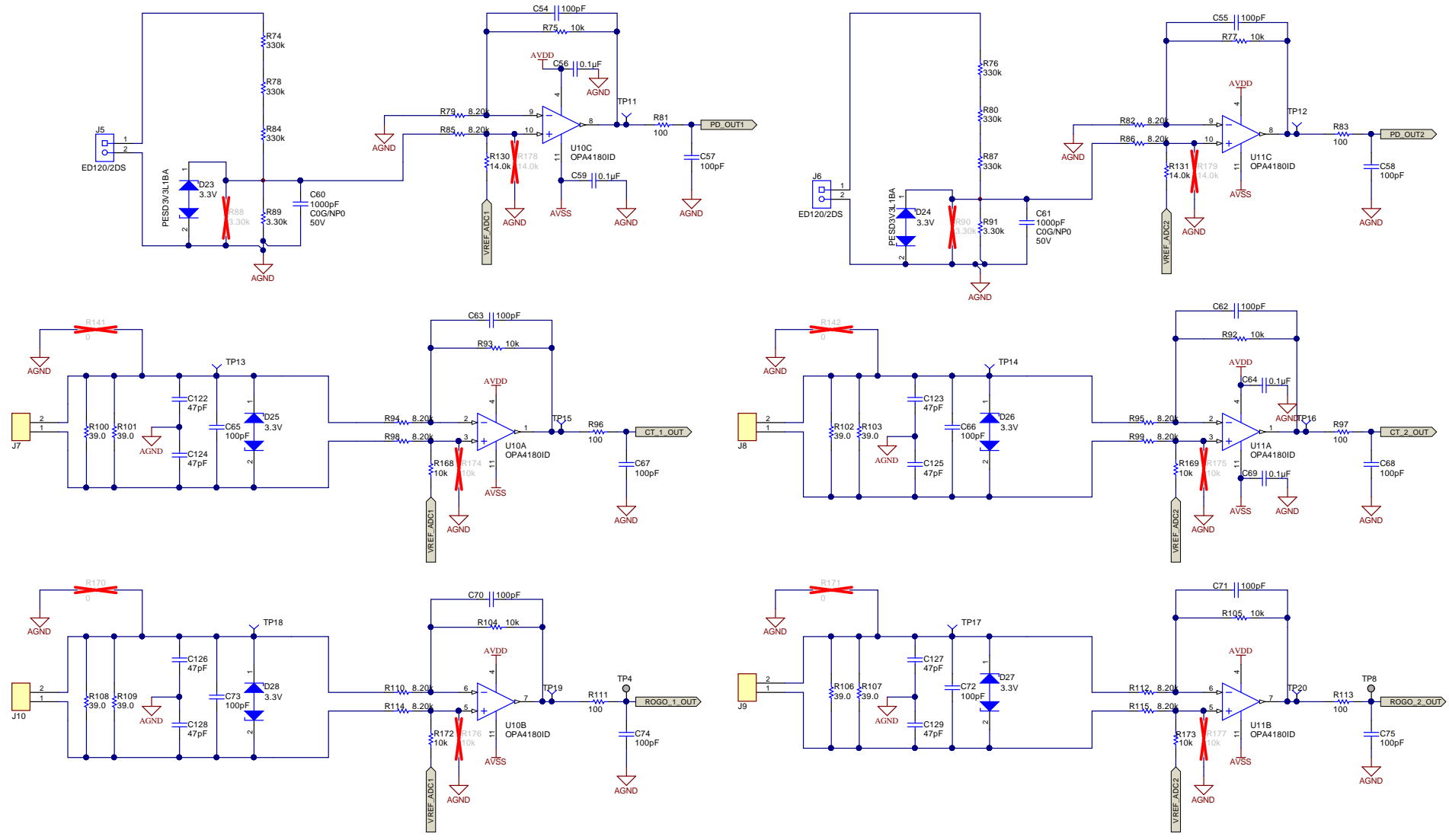


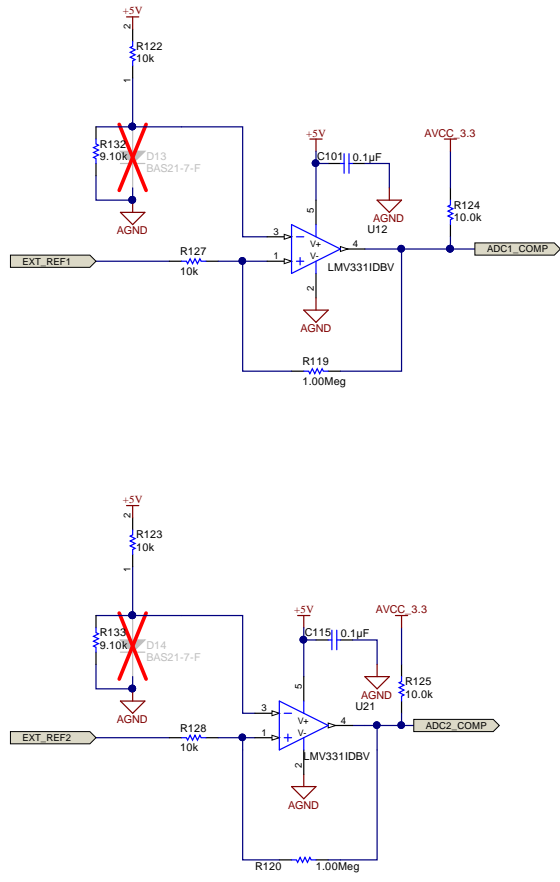
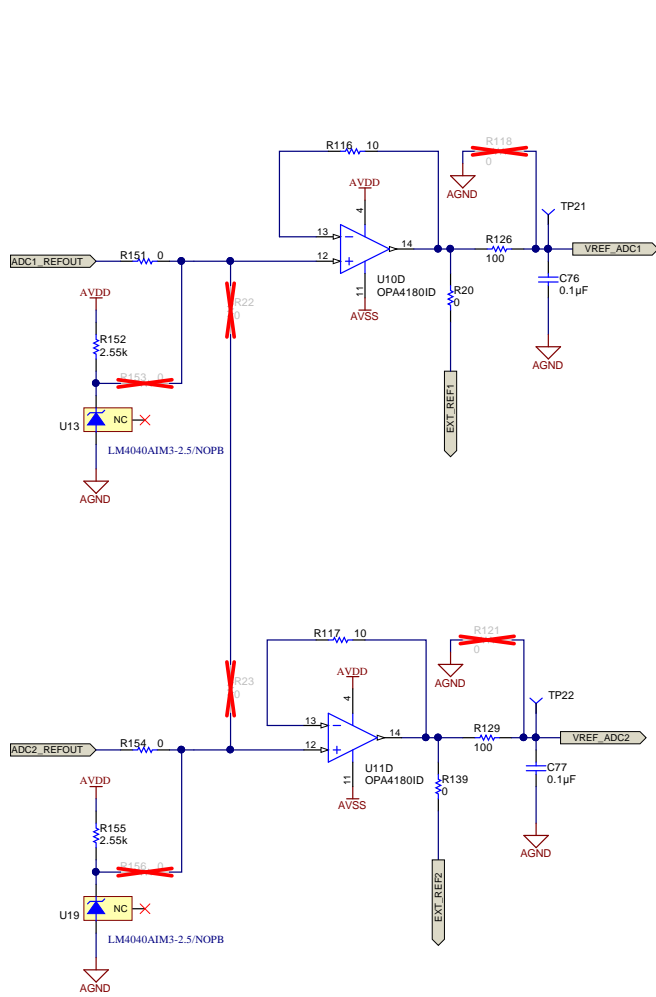


Texas Instruments and/or its licensors do not warrant the accuracy or completeness of this specification or any information contained therein. Texas Instruments and/or its licensors warrant that this design will meet the specifications, will be suitable for your application or fit for any particular purpose, or will operate in an implementation. Texas Instruments and/or its licensors do not warrant that the design is production worthy. You should completely validate and test your design implementation to confirm the system functionality for your application.

Orderable: N/A	Designed for: Public Release	Mod. Date: 7/5/2016
TID #: TIDA-00810	Project Title: ADS131A04_AFE	
Number: TIDA-00810   Rev: E2	Sheet Title: Isolation Amplifier	
Rev: Version control disabled	Assembly Variant: 001	Sheet: 4 of 10
Drawn By: Sreenivasa	File: TIDA-00810_Isolation Amplifier_SchDoc	Size: B
Engineer: Sreenivasa	Contact: <a href="http://www.ti.com/support">http://www.ti.com/support</a>	

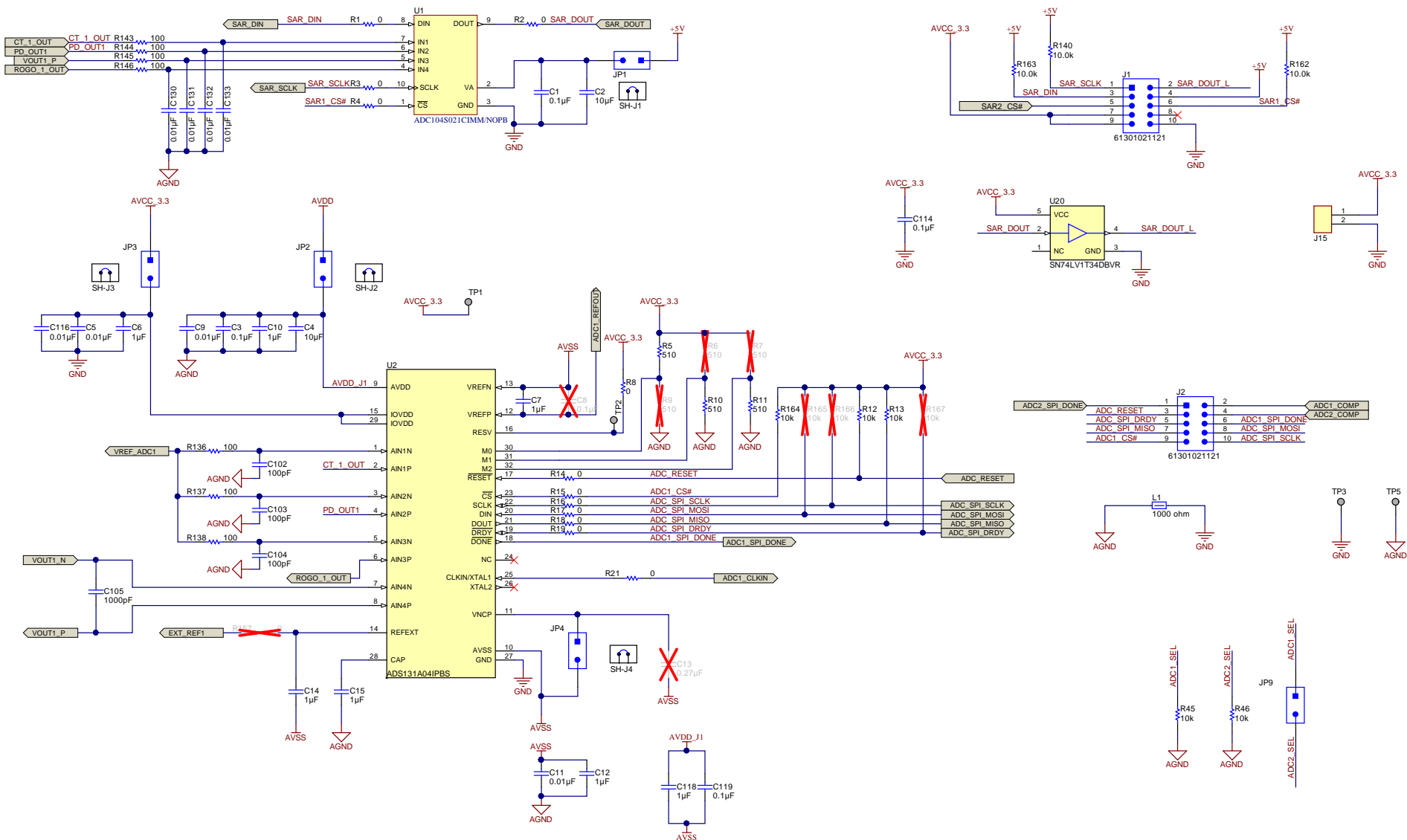






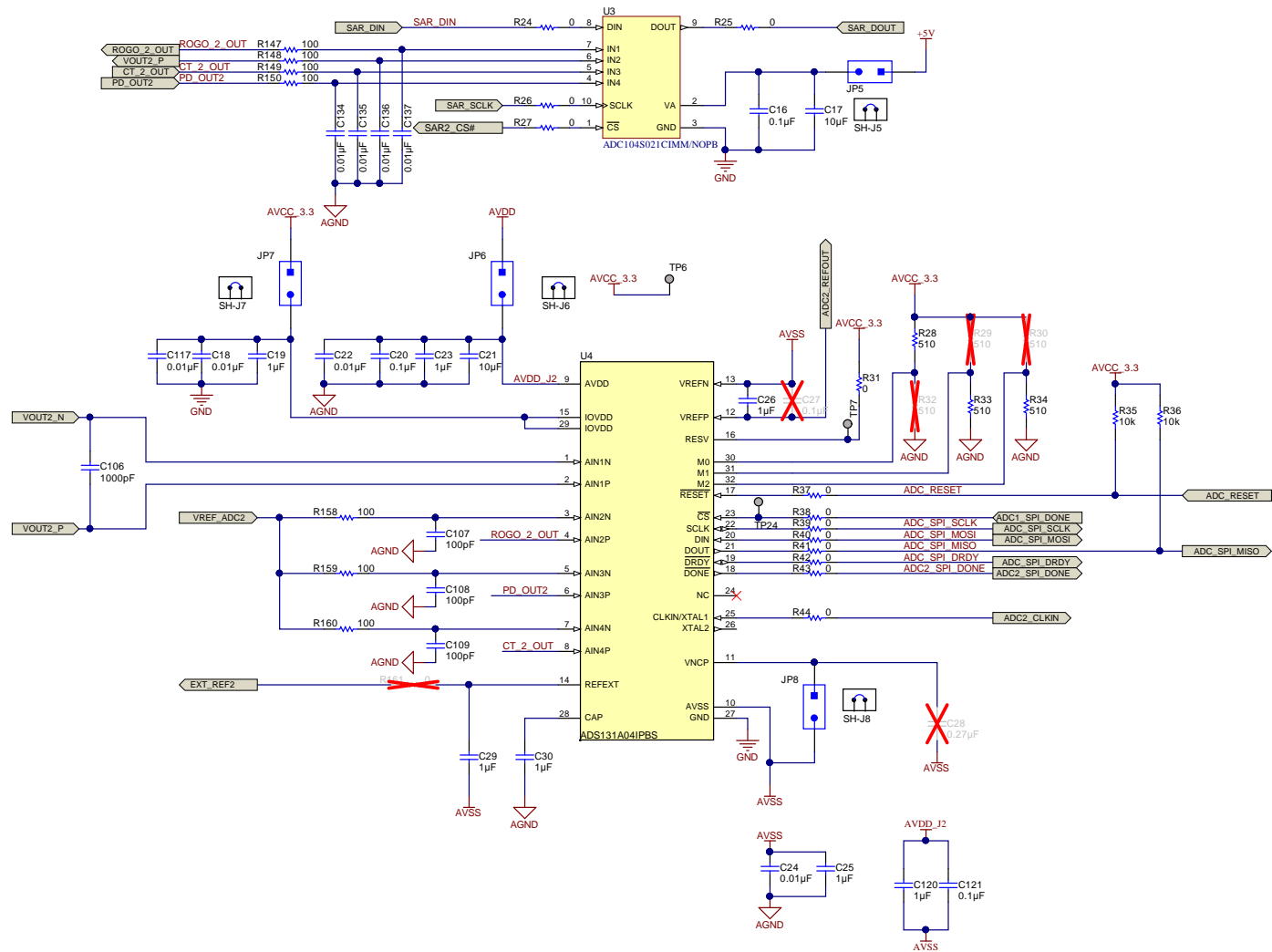
Texas Instruments and/or its licensors do not warrant the accuracy or completeness of this specification or any information contained therein. Texas Instruments and/or its licensors warrant that this design will meet the specifications, will be suitable for your application or fit for any particular purpose, or will operate in an implementation. Texas Instruments and/or its licensors do not warrant that the design is production worthy. You should completely validate and test your design implementation to confirm the system functionality for your application.

Orderable: N/A	Designed for: Public Release	Mod. Date: 7/5/2016	 <a href="http://www.ti.com">http://www.ti.com</a>
TID #: TIDA-00810	Project Title: ADS131A04_AFE	Sheet: 6 of 10	
Number: TIDA-00810   Rev: E2	Sheet Title: OP_AMP	Size: B	
Drawn By: Sreenivasa	File: TIDA-00810_Reference_SchDoc	Contact: <a href="http://www.ti.com/support">http://www.ti.com/support</a>	
Engineer: Sreenivasa	Assembly Variant: 001		



Orderable: N/A	Designed for: Public Release	Mod. Date: 7/5/2016
TID #: TIDA-00810	Project File: ADS131A04_AFE	
Number: TIDA-00810   Rev: E2	Sheet Title: ADC1	
BYN Rev: Version control disabled	Assembly Variant: 001	
Drawn By: Sreenivasa	File: TIDA-00810_ADC1.SchDoc	Sheet: 7 of 10
Engineer: Sreenivasa	Contact: <a href="http://www.ti.com/support">http://www.ti.com/support</a>	Size: B

Texas Instruments and/or its licensors do not warrant the accuracy or completeness of this specification or any information contained therein. Texas Instruments and/or its licensors warrant that this design will meet the specifications, will be suitable for your application or fit for any particular purpose, or will operate in an implementation. Texas Instruments and/or its licensors do not warrant that the design is production worthy. You should completely validate and test your design implementation to confirm the system functionality for your application. © Texas Instruments 2016

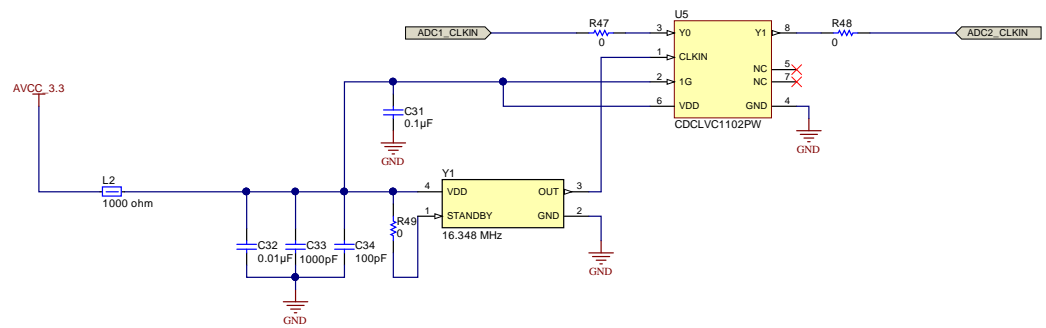


Texas Instruments and/or its licensors do not warrant the accuracy or completeness of this specification or any information contained therein. Texas Instruments and/or its licensors warrant that this design will meet the specifications, will be suitable for your application or fit for any particular purpose, or will operate in an implementation. Texas Instruments and/or its licensors do not warrant that the design is production worthy. You should completely validate and test your design implementation to confirm the system functionality for your application.

Orderable: N/A	Designed for: Public Release	Mod. Date: 7/5/2016
TID #: TIDA-00810	Project File: ADS131 A04_AFE	
Number: TIDA-00810   Rev: E2	Sheet Title: ADC2	
BY: Rev. Version control disabled	Assembly Variant: 001	Sheet: 8 of 10
Drawn By: Sreenivasa	File: TIDA-00810_ADC2_SchDoc	Size: B
Engineer: Sreenivasa	Contact: <a href="http://www.ti.com/support">http://www.ti.com/support</a>	







Texas Instruments and/or its licensors do not warrant the accuracy or completeness of this specification or any information contained therein. Texas Instruments and/or its licensors warrant that this design will meet the specifications, will be suitable for your application or fit for any particular purpose, or will operate in an implementation. Texas Instruments and/or its licensors do not warrant that the design is production worthy. You should completely validate and test your design implementation to confirm the system functionality for your application.

Orderable: N/A	Designed for: Public Release	Mod. Date: 7/5/2016
TID #: TIDA-00810	Project Title: ADS131A04_AFE	
Number: TIDA-00810   Rev: E2	Sheet Title: Buffer	
BYN Rev: Version control disabled	Assembly Variant: 001	Sheet: 9 of 10
Drawn By: Sreenivasa	File: TIDA-00810_Buffer.SchDoc	Size: B
Engineer: Sreenivasa	Contact: <a href="http://www.ti.com/support">http://www.ti.com/support</a>	



© Texas Instruments 2016

H1 1 NY PMS 440 0025 PH  
 H2 1 NY PMS 440 0025 PH  
 H3 1 NY PMS 440 0025 PH  
 H4 1 NY PMS 440 0025 PH

H5 1902C  
 H6 1902C  
 H7 1902C  
 H8 1902C

~~FID1~~ ~~FID2~~ ~~FID3~~ FID4 FID5 FID6

PCB Number: TIDA-00810  
 PCB Rev: E2

PCB LOGO  
 Pb-Free

PCB LOGO  
 Pb-Free Symbol



You should delete the nylon screws/standoffs and/or the bumpers as needed for your design (or substitute other parts from Hardware.IntLib). Bumpers are cheaper, but provide less clearance.

Deleting anything else from this page may result in your EVM submission being rejected (until you add them back).

Update the Label Text in the Label Table as needed for each Assembly Variant.

You should delete this note too.

Variant/Label Table	
Variant	Label Text
001	ChangeMe!
002	ChangeMe!

LBL1  
 PCB Label  
 Size: 0.65" x 0.20"

ZZ1  
 Label Assembly Note  
 This Assembly Note is for PCB labels only

ZZ2  
 Assembly Note  
 These assemblies are ESD sensitive, ESD precautions shall be observed.

ZZ3  
 Assembly Note  
 These assemblies must be clean and free from flux and all contaminants. Use of no clean flux is not acceptable.

ZZ4  
 Assembly Note  
 These assemblies must comply with workmanship standards IPC-A-610 Class 2, unless otherwise specified.

Orderable: N/A	Designed for: Public Release	Mod. Date: 7/5/2016
TID #: TIDA-00810	Project Title: ADS131A04_AFE	
Number: TIDA-00810   Rev: E2	Sheet Title: EVM Hardware	
BYN Rev: Version control disabled	Assembly Variant: 001	Sheet: 10 of 10
Drawn By: Sreenivasa	File: TIDA-00810_EVM_Hardware.SchDoc	Size: B
Engineer: Sreenivasa	Contact: <a href="http://www.ti.com/support">http://www.ti.com/support</a>	

Texas Instruments and/or its licensors do not warrant the accuracy or completeness of this specification or any information contained therein. Texas Instruments and/or its licensors warrant that this design will meet the specifications, will be suitable for your application or fit for any particular purpose, or will operate in an implementation. Texas Instruments and/or its licensors do not warrant that the design is production worthy. You should completely validate and test your design implementation to confirm the system functionality for your application. <http://www.ti.com>



## IMPORTANT NOTICE FOR TI REFERENCE DESIGNS

Texas Instruments Incorporated ("TI") reference designs are solely intended to assist designers ("Designer(s)") who are developing systems that incorporate TI products. TI has not conducted any testing other than that specifically described in the published documentation for a particular reference design.

TI's provision of reference designs and any other technical, applications or design advice, quality characterization, reliability data or other information or services does not expand or otherwise alter TI's applicable published warranties or warranty disclaimers for TI products, and no additional obligations or liabilities arise from TI providing such reference designs or other items.

TI reserves the right to make corrections, enhancements, improvements and other changes to its reference designs and other items.

Designer understands and agrees that Designer remains responsible for using its independent analysis, evaluation and judgment in designing Designer's systems and products, and has full and exclusive responsibility to assure the safety of its products and compliance of its products (and of all TI products used in or for such Designer's products) with all applicable regulations, laws and other applicable requirements. Designer represents that, with respect to its applications, it has all the necessary expertise to create and implement safeguards that (1) anticipate dangerous consequences of failures, (2) monitor failures and their consequences, and (3) lessen the likelihood of failures that might cause harm and take appropriate actions. Designer agrees that prior to using or distributing any systems that include TI products, Designer will thoroughly test such systems and the functionality of such TI products as used in such systems. Designer may not use any TI products in life-critical medical equipment unless authorized officers of the parties have executed a special contract specifically governing such use. Life-critical medical equipment is medical equipment where failure of such equipment would cause serious bodily injury or death (e.g., life support, pacemakers, defibrillators, heart pumps, neurostimulators, and implantables). Such equipment includes, without limitation, all medical devices identified by the U.S. Food and Drug Administration as Class III devices and equivalent classifications outside the U.S.

Designers are authorized to use, copy and modify any individual TI reference design only in connection with the development of end products that include the TI product(s) identified in that reference design. HOWEVER, NO OTHER LICENSE, EXPRESS OR IMPLIED, BY ESTOPPEL OR OTHERWISE TO ANY OTHER TI INTELLECTUAL PROPERTY RIGHT, AND NO LICENSE TO ANY TECHNOLOGY OR INTELLECTUAL PROPERTY RIGHT OF TI OR ANY THIRD PARTY IS GRANTED HEREIN, including but not limited to any patent right, copyright, mask work right, or other intellectual property right relating to any combination, machine, or process in which TI products or services are used. Information published by TI regarding third-party products or services does not constitute a license to use such products or services, or a warranty or endorsement thereof. Use of the reference design or other items described above may require a license from a third party under the patents or other intellectual property of the third party, or a license from TI under the patents or other intellectual property of TI.

TI REFERENCE DESIGNS AND OTHER ITEMS DESCRIBED ABOVE ARE PROVIDED "AS IS" AND WITH ALL FAULTS. TI DISCLAIMS ALL OTHER WARRANTIES OR REPRESENTATIONS, EXPRESS OR IMPLIED, REGARDING THE REFERENCE DESIGNS OR USE OF THE REFERENCE DESIGNS, INCLUDING BUT NOT LIMITED TO ACCURACY OR COMPLETENESS, TITLE, ANY EPIDEMIC FAILURE WARRANTY AND ANY IMPLIED WARRANTIES OF MERCHANTABILITY, FITNESS FOR A PARTICULAR PURPOSE, AND NON-INFRINGEMENT OF ANY THIRD PARTY INTELLECTUAL PROPERTY RIGHTS.

TI SHALL NOT BE LIABLE FOR AND SHALL NOT DEFEND OR INDEMNIFY DESIGNERS AGAINST ANY CLAIM, INCLUDING BUT NOT LIMITED TO ANY INFRINGEMENT CLAIM THAT RELATES TO OR IS BASED ON ANY COMBINATION OF PRODUCTS AS DESCRIBED IN A TI REFERENCE DESIGN OR OTHERWISE. IN NO EVENT SHALL TI BE LIABLE FOR ANY ACTUAL, DIRECT, SPECIAL, COLLATERAL, INDIRECT, PUNITIVE, INCIDENTAL, CONSEQUENTIAL OR EXEMPLARY DAMAGES IN CONNECTION WITH OR ARISING OUT OF THE REFERENCE DESIGNS OR USE OF THE REFERENCE DESIGNS, AND REGARDLESS OF WHETHER TI HAS BEEN ADVISED OF THE POSSIBILITY OF SUCH DAMAGES.

TI's standard terms of sale for semiconductor products (<http://www.ti.com/sc/docs/stdterms.htm>) apply to the sale of packaged integrated circuit products. Additional terms may apply to the use or sale of other types of TI products and services.

Designer will fully indemnify TI and its representatives against any damages, costs, losses, and/or liabilities arising out of Designer's non-compliance with the terms and provisions of this Notice.

Mailing Address: Texas Instruments, Post Office Box 655303, Dallas, Texas 75265  
Copyright © 2016, Texas Instruments Incorporated